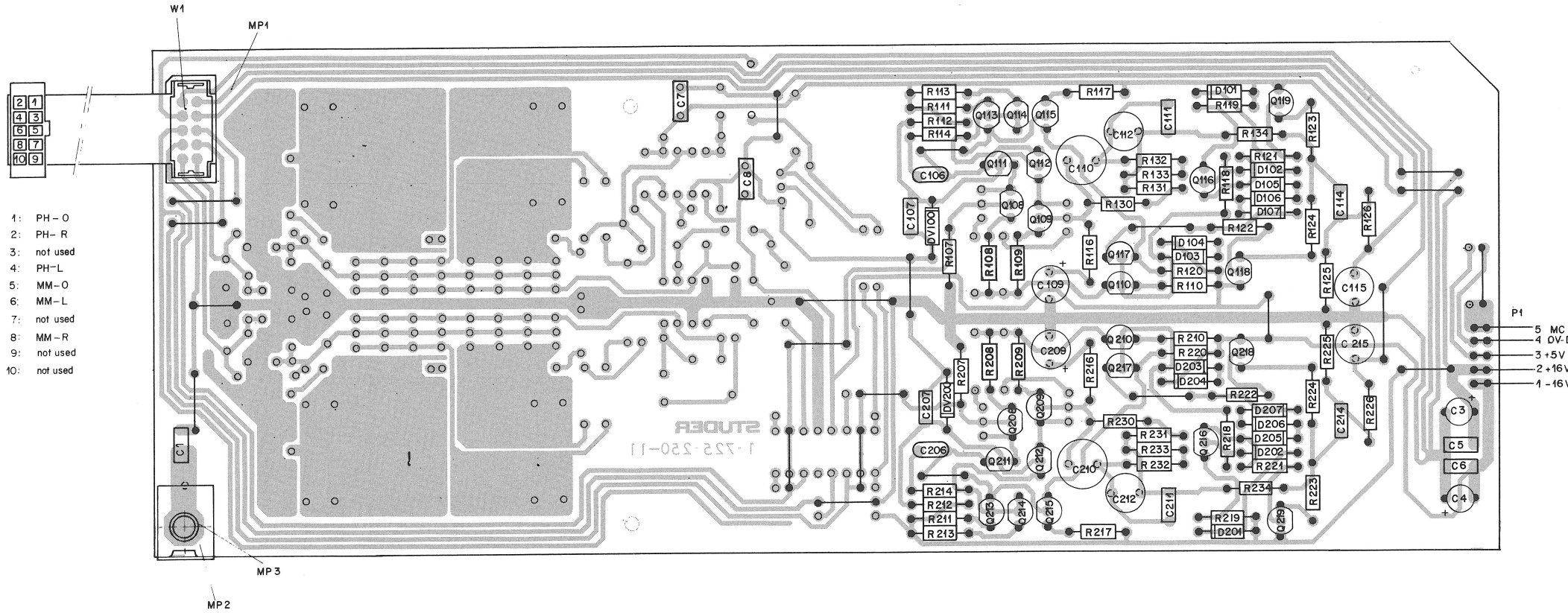


PHONO PCB MM 1.725.255.00 B150/B250 (-S)



IND.	POS.NO.	PART NO.	VALUE	SPECIFICATIONS / EQUIVALENT	MANUF.
D...	207	50-04-0125	1N 4448	any	
DV...	100	50-04-1112	Z 5.1V	5 % 0.4 W	
DV...	200	50-04-1112	Z 5.1V	5 % 0.4 W	
MP...	1	1.725.250.11		Phono Unit PCB	
MP...	2	1.726.780.01		Holder	
MP...	3	28-21-1450		Tubular Rivet	
P...	1	54-31-0269	5-PDLE	CIS Pin-Strip	
Q...	108	50-03-0215	25K170	FET	TO
Q...	109	50-03-0215	25K170	FET	TO
Q...	110	50-03-0497	BC 550	NPN	
Q...	111	50-03-0497	BC 550	NPN	
Q...	112	50-03-0497	BC 550	NPN	
Q...	113	50-03-0496	BC 560	PNP	
Q...	114	50-03-0496	BC 560	PNP	
Q...	115	50-03-0496	BC 560	PNP	
Q...	116	50-03-0496	BC 560	PNP	
Q...	117	50-03-0497	BC 550	NPN	
Q...	118	50-03-0496	BC 560	PNP	
Q...	119	50-03-0497	BC 550	NPN	
Q...	208	50-03-0215	25K170	FET	TO
Q...	209	50-03-0215	25K170	FET	TO
Q...	210	50-03-0497	BC 550	NPN	
Q...	211	50-03-0497	BC 550	NPN	
Q...	212	50-03-0497	BC 550	NPN	
Q...	213	50-03-0496	BC 560	PNP	
Q...	214	50-03-0496	BC 560	PNP	
Q...	215	50-03-0496	BC 560	PNP	
Q...	216	50-03-0496	BC 560	PNP	
Q...	217	50-03-0497	BC 550	NPN	
Q...	218	50-03-0496	BC 560	PNP	
Q...	219	50-03-0497	BC 550	NPN	
R...	107	57-11-4473	47 KOhm	2% 0.25W MF	

STUDER (02) 87/11/03 HA PHONO UNIT MM \*ESE\* PL 1.725.255.00 PAGE 2

IND.	POS.NO.	PART NO.	VALUE	SPECIFICATIONS / EQUIVALENT	MANUF.
(01)	R...	108	57-11-4101	100 Ohm	2% 0.25W MF
(01)	R...	109	57-11-4101	100 Ohm	2% 0.25W MF
R...	110	57-11-4221	220 Ohm	2% 0.25W MF	
R...	111	57-11-4102	1 KOhm	2% 0.25W MF	
R...	112	57-11-4472	4.7 KOhm	2% 0.25W MF	
R...	113	57-11-4102	1 KOhm	2% 0.25W MF	
R...	114	57-11-4331	330 Ohm	2% 0.25W MF	
R...	115	57-11-4271	270 Ohm	2% 0.25W MF	
R...	117	57-11-4102	1 KOhm	2% 0.25W MF	
R...	118	57-11-4333	33 KOhm	2% 0.25W MF	
R...	119	57-11-4271	270 Ohm	2% 0.25W MF	
R...	120	57-11-4121	120 Ohm	2% 0.25W MF	
R...	121	57-11-4470	47 Ohm	2% 0.25W MF	
R...	122	57-11-4470	47 Ohm	2% 0.25W MF	
R...	123	57-11-4470	47 Ohm	2% 0.25W MF	
R...	124	57-11-4470	47 Ohm	2% 0.25W MF	
R...	125	57-11-4822	8.2 KOhm	2% 0.25W MF	
R...	126	57-11-4471	470 Ohm	2% 0.25W MF	
R...	130	57-11-3134	130 KOhm	2% 0.25W MF	
R...	131	57-11-4392	3.9 KOhm	2% 0.25W MF	
R...	132	57-11-4103	10 KOhm	2% 0.25W MF	
R...	133	57-11-4561	560 Ohm	2% 0.25W MF	
R...	134	57-11-4101	100 Ohm	2% 0.25W MF	
R...	207	57-11-4473	47 KOhm	2% 0.25W MF	
(01)	R...	208	57-11-4101	100 Ohm	2% 0.25W MF
(01)	R...	209	57-11-4101	100 Ohm	2% 0.25W MF
R...	210	57-11-4221	220 Ohm	2% 0.25W MF	
R...	211	57-11-4102	1 KOhm	2% 0.25W MF	
R...	212	57-11-4472	4.7 KOhm	2% 0.25W MF	
R...	213	57-11-4102	1 KOhm	2% 0.25W MF	
R...	214	57-11-4331	330 Ohm	2% 0.25W MF	
R...	216	57-11-4271	270 Ohm	2% 0.25W MF	
R...	217	57-11-4102	1 KOhm	2% 0.25W MF	
R...	218	57-11-4333	33 KOhm	2% 0.25W MF	
R...	219	57-11-4271	270 Ohm	2% 0.25W MF	
R...	220	57-11-4121	120 Ohm	2% 0.25W MF	
R...	221	57-11-4470	47 Ohm	2% 0.25W MF	

STUDER (02) 87/11/03 HA PHONO UNIT MM \*ESE\* PL 1.725.255.00 PAGE 3

IND.	POS.NO.	PART NO.	VALUE	SPECIFICATIONS / EQUIVALENT	MANUF.
C...	1	59-06-0104	0.1 uF	10% 25V; PETP	
C...	3	59-22-5220	22 uF	-20% 25V; EL	
C...	4	59-22-5220	22 uF	-20% 25V; EL	
C...	5	59-06-0104	0.1 uF	10% 25V; PETP	
C...	6	59-06-0104	0.1 uF	10% 25V; PETP	
C...	7	59-06-0104	0.1 uF	10% 25V; PETP	
C...	8	59-06-0104	0.1 uF	10% 25V; PETP	
C...	106	59-34-4151	150 pF	10% 25V; CER	
C...	107	59-06-0104	0.1 uF	10% 25V; PETP	
C...	109	59-22-2471	470 uF	-20% 6V; EL	
C...	110	59-05-2223	22 nF	2.5% 25V; PP	
C...	111	59-06-5102	1 nF	5% 25V; PETP	
C...	112	59-05-2582	6.8 nF	2.5% 25V; PP	
C...	114	59-06-5105	1 uF	5% 25V; PETP	
C...	115	59-05-2472	4.7 nF	2.5% 25V; PP	
C...	206	59-34-4151	150 pF	10% 25V; CER	
C...	207	59-06-0104	0.1 uF	10% 25V; PETP	
C...	209	59-22-2471	470 uF	-20% 6V; EL	
C...	210	59-05-2223	22 nF	2.5% 25V; PP	
C...	211	59-06-5102	1 nF	5% 25V; PETP	
C...	212	59-05-2582	6.8 nF	2.5% 25V; PP	
C...	214	59-06-5105	1 uF	5% 25V; PETP	
C...	215	59-05-2472	4.7 nF	2.5% 25V; PP	
D...	101	50-04-0125	1N 4448	any	
D...	102	50-04-0125	1N 4448	any	
D...	103	50-04-0125	1N 4448	any	
D...	104	50-04-0125	1N 4448	any	
D...	105	50-04-0125	1N 4448	any	
D...	106	50-04-0125	1N 4448	any	
D...	107	50-04-0125	1N 4448	any	
D...	201	50-04-0125	1N 4448	any	
D...	202	50-04-0125	1N 4448	any	
D...	203	50-04-0125	1N 4448	any	
D...	204	50-04-0125	1N 4448	any	
D...	205	50-04-0125	1N 4448	any	
D...	206	50-04-0125	1N 4448	any	

STUDER (02) 87/11/03 HA PHONO UNIT MM \*ESE\* PL 1.725.255.00 PAGE 1

IND.	POS.NO.	PART NO.	VALUE	SPECIFICATIONS / EQUIVALENT	MANUF.
R...	222	57-11-4470	47 Ohm	2% 0.25W MF	
R...	223	57-11-4470	47 Ohm	2% 0.25W MF	
R...	224	57-11-4470	47 Ohm	2% 0.25W MF	
R...	225	57-11-4822	8.2 KOhm	2% 0.25W MF	
R...	226	57-11-4471	470 Ohm	2% 0.25W MF	
R...	230	57-11-3134	130 KOhm	2% 0.25W MF	
R...	231	57-11-4392	3.9 KOhm	2% 0.25W MF	
R...	232	57-11-4103	10 KOhm	2% 0.25W MF	
R...	233	57-11-4561	560 Ohm	2% 0.25W MF	
R...	234	57-11-4101	100 Ohm	2% 0.25W MF	
W...	1	1-023-310-01		Flat Cable	

(01) Improvement for FTZ requirement  
 (02) Anti swing capacitor

Left Channel: 100...  
 Right Channel: 200...  
 Both : 1...

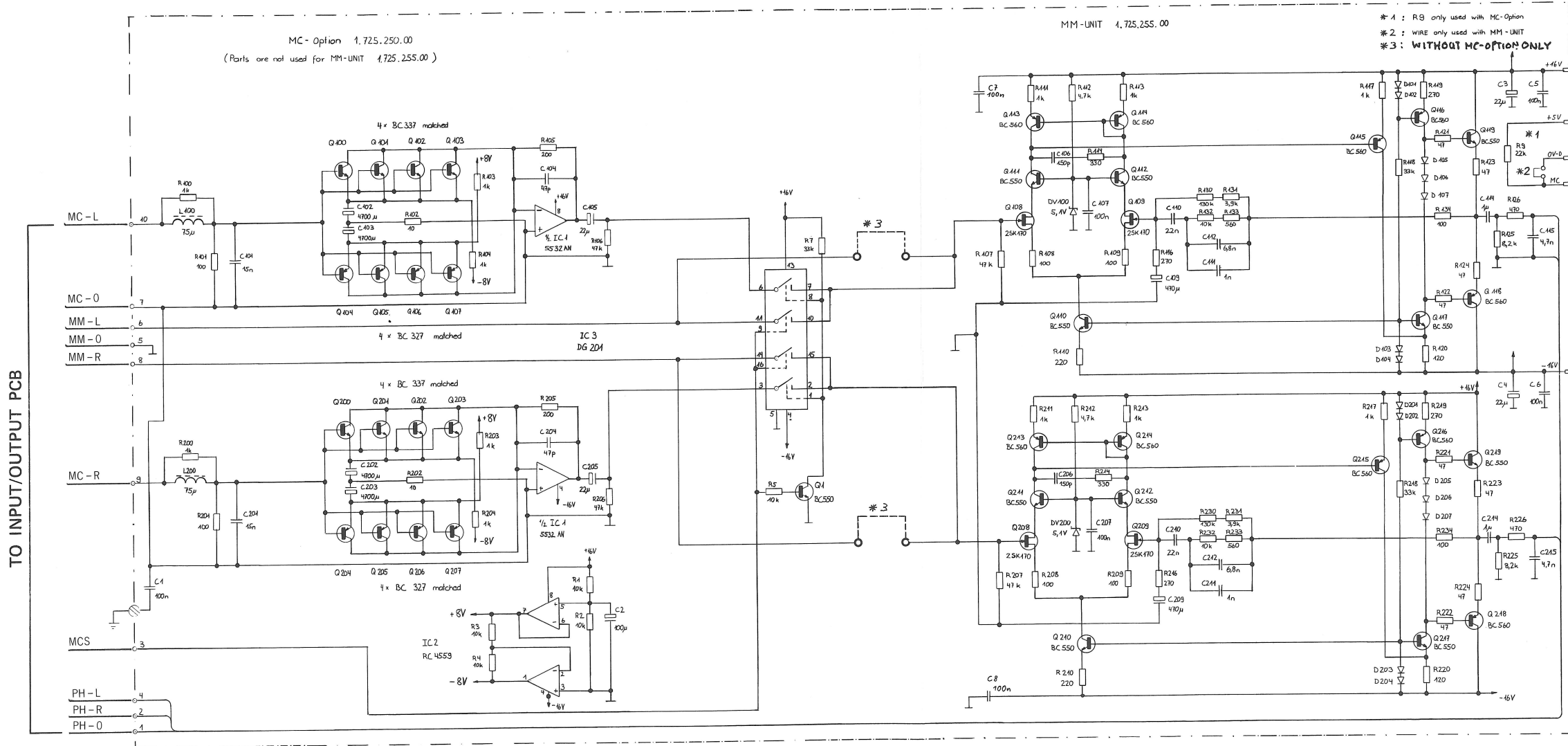
EL=Electrolytic; CER=Ceramic; PETP=Polyester; PP=Polypropylen  
 MF=Metal Film

MANUFACTURER: TuToshiba

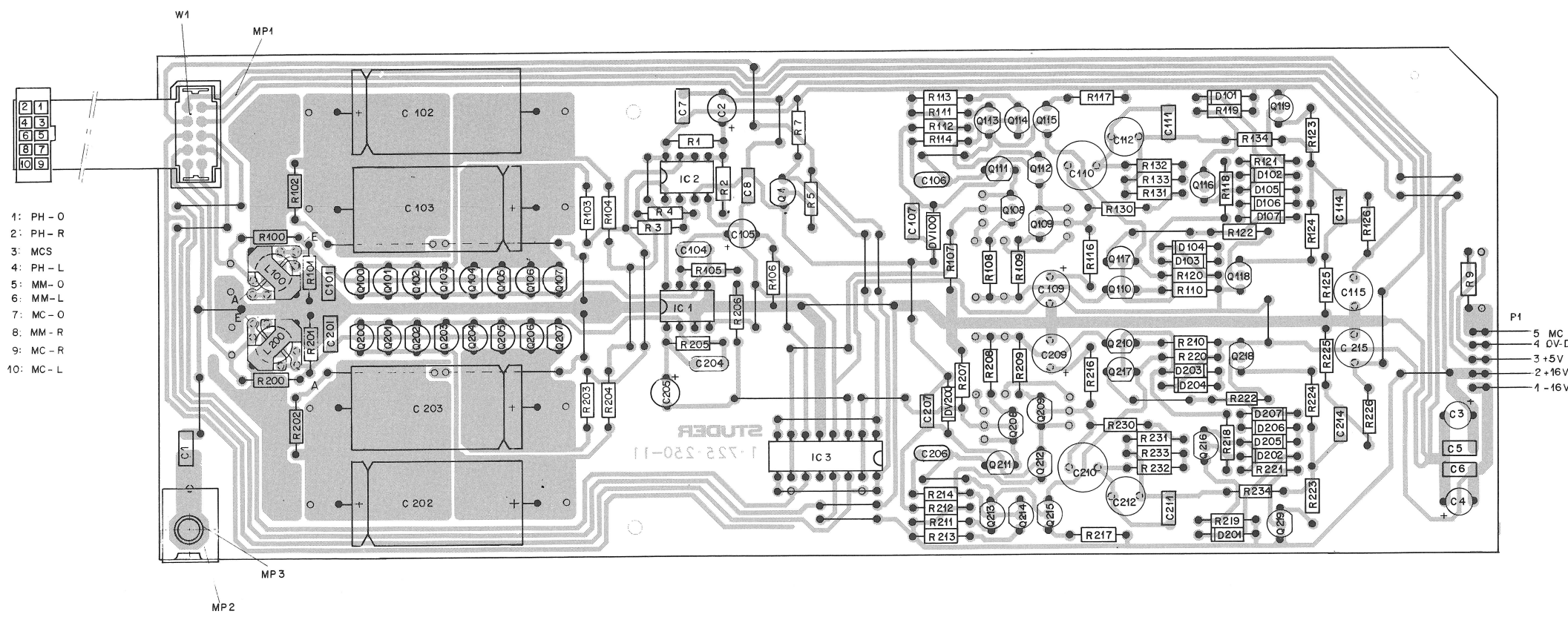
DRIG 87/05/07 (01) 87/08/13 (02) 87/11/03  
 STUDER (02) 87/11/03 HA PHONO UNIT MM \*ESE\* PL 1.725.255.00 PAGE 4



PHONO PCB MM+MC 1.725.250.00 B250 (-S)



PHONO PCB MM+MC 1.725.250.00 B250 (-S)



- 1: PH - O
- 2: PH - R
- 3: MCS
- 4: PH - L
- 5: MM - O
- 6: MM - L
- 7: MC - O
- 8: MM - R
- 9: MC - R
- 10: MC - L

IND.	POS-NO.	PART NO.	VALUE	SPECIFICATIONS / EQUIVALENT	MANUF.
R.....4	57.11.4103	10 KOhm	2%	0.25W MF	
R.....5	57.11.4103	10 KOhm	2%	0.25W MF	
R.....7	57.11.4333	33 KOhm	2%	0.25W MF	
R.....9	57.11.4223	22 KOhm	2%	0.25W MF	
R...100	57.11.4132	1 KOhm	2%	0.25W MF	
R...101	57.11.4101	100 Ohm	2%	0.25W MF	
R...102	57.11.4100	10 Ohm	2%	0.25W MF	
R...103	57.11.4102	1 KOhm	2%	0.25W MF	
R...104	57.11.4102	1 KOhm	2%	0.25W MF	
R...105	57.11.3201	200 Ohm	2%	0.25W MF	
R...106	57.11.4473	47 KOhm	2%	0.25W MF	
R...107	57.11.4473	47 KOhm	2%	0.25W MF	
(01) R...108	57.11.4101	100 Ohm	2%	0.25W MF	
(01) R...109	57.11.4101	100 Ohm	2%	0.25W MF	
R...110	57.11.4221	220 Ohm	2%	0.25W MF	
R...111	57.11.4102	1 KOhm	2%	0.25W MF	
R...112	57.11.4472	4.7 KOhm	2%	0.25W MF	
R...113	57.11.4102	1 KOhm	2%	0.25W MF	
R...114	57.11.4331	330 Ohm	2%	0.25W MF	
R...115	57.11.4271	270 Ohm	2%	0.25W MF	
R...117	57.11.4102	1 KOhm	2%	0.25W MF	
R...118	57.11.4333	33 KOhm	2%	0.25W MF	
R...119	57.11.4271	270 Ohm	2%	0.25W MF	
R...120	57.11.4121	120 Ohm	2%	0.25W MF	
R...121	57.11.4473	47 Ohm	2%	0.25W MF	
R...122	57.11.4470	47 Ohm	2%	0.25W MF	
R...123	57.11.4470	47 Ohm	2%	0.25W MF	
R...124	57.11.4470	47 Ohm	2%	0.25W MF	
R...125	57.11.4822	8.2 KOhm	2%	0.25W MF	
R...126	57.11.4471	470 Ohm	2%	0.25W MF	
R...130	57.11.3134	130 KOhm	2%	0.25W MF	
R...131	57.11.4392	3.9 KOhm	2%	0.25W MF	
R...132	57.11.4103	10 KOhm	2%	0.25W MF	
R...133	57.11.4561	560 Ohm	2%	0.25W MF	
R...134	57.11.4101	100 Ohm	2%	0.25W MF	
R...200	57.11.4102	1 KOhm	2%	0.25W MF	
R...201	57.11.4101	100 Ohm	2%	0.25W MF	

STUDER (01) 37/08/13 SP PHONO UNIT MM/MC "ESE" PL 1.725.250.00 PAGE 4

IND.	POS-NO.	PART NO.	VALUE	SPECIFICATIONS / EQUIVALENT	MANUF.
R...202	57.11.4100	10 Ohm	2%	0.25W MF	
R...203	57.11.4102	1 KOhm	2%	0.25W MF	
R...204	57.11.4102	1 KOhm	2%	0.25W MF	
R...205	57.11.3201	200 Ohm	2%	0.25W MF	
R...206	57.11.4473	47 KOhm	2%	0.25W MF	
R...207	57.11.4473	47 KOhm	2%	0.25W MF	
(01) R...208	57.11.4101	100 Ohm	2%	0.25W MF	
(01) R...209	57.11.4101	100 Ohm	2%	0.25W MF	
R...210	57.11.4221	220 Ohm	2%	0.25W MF	
R...211	57.11.4102	1 KOhm	2%	0.25W MF	
R...212	57.11.4472	4.7 KOhm	2%	0.25W MF	
R...213	57.11.4102	1 KOhm	2%	0.25W MF	
R...214	57.11.4331	330 Ohm	2%	0.25W MF	
R...216	57.11.4271	270 Ohm	2%	0.25W MF	
R...217	57.11.4102	1 KOhm	2%	0.25W MF	
R...218	57.11.4333	33 KOhm	2%	0.25W MF	
R...219	57.11.4271	270 Ohm	2%	0.25W MF	
R...220	57.11.4121	120 Ohm	2%	0.25W MF	
R...221	57.11.4470	47 Ohm	2%	0.25W MF	
R...222	57.11.4470	47 Ohm	2%	0.25W MF	
R...223	57.11.4470	47 Ohm	2%	0.25W MF	
R...224	57.11.4470	47 Ohm	2%	0.25W MF	
R...225	57.11.4822	8.2 KOhm	2%	0.25W MF	
R...226	57.11.4471	470 Ohm	2%	0.25W MF	
R...230	57.11.3134	130 KOhm	2%	0.25W MF	
R...231	57.11.4392	3.9 KOhm	2%	0.25W MF	
R...232	57.11.4103	10 KOhm	2%	0.25W MF	
R...233	57.11.4561	560 Ohm	2%	0.25W MF	
R...234	57.11.4101	100 Ohm	2%	0.25W MF	
H.....1	1.323.310.01			Flat Cable	

STUDER (01) 37/08/13 SP PHONO UNIT MM/MC "ESE" PL 1.725.250.00 PAGE 5

IND.	POS-NO.	PART NO.	VALUE	SPECIFICATIONS / EQUIVALENT	MANUF.
C.....1	59.06.0104	0.1 uF	10%	25V, PETP	
C.....2	59.22.5101	100 uF	-20%	25V, EL	
C.....3	59.22.5220	22 uF	-20%	25V, EL	
C.....4	59.22.5220	22 uF	-20%	25V, EL	
C.....5	59.06.0104	0.1 uF	10%	25V, PETP	
C.....6	59.06.0104	0.1 uF	10%	25V, PETP	
C.....7	59.06.0104	0.1 uF	10%	25V, PETP	
C.....8	59.06.0104	0.1 uF	10%	25V, PETP	
C...101	59.06.0153	15 nF	10%	25V, PETP	
C...102	59.25.1472	4700pF	-20%	6V, EL	
C...103	59.25.1472	4700pF	-20%	6V, EL	
C...104	59.25.1472	4700pF	-20%	6V, EL	
C...105	59.22.5220	22 uF	-20%	25V, EL	
C...106	59.34.4151	150 pF	10%	25V, CER	
C...107	59.06.0104	0.1 uF	10%	25V, PETP	
C...109	59.22.2471	470 uF	-20%	6V, EL	
C...110	59.05.2223	22 nF	2.5%	25V, PP	
C...111	59.06.5102	1 nF	5%	25V, PETP	
C...112	59.05.2582	6.8 nF	2.5%	25V, PP	
C...114	59.06.5105	1 uF	5%	25V, PETP	
C...115	59.05.2472	4.7 nF	2.5%	25V, PP	
C...201	59.06.0153	15 nF	10%	25V, PETP	
C...202	59.25.1472	4700pF	-20%	6V, EL	
C...203	59.25.1472	4700pF	-20%	6V, EL	
C...204	59.34.2470	47 pF	10%	25V, CER	
C...205	59.22.5220	22 uF	-20%	25V, EL	
C...206	59.34.4151	150 pF	10%	25V, CER	
C...207	59.06.0104	0.1 uF	10%	25V, PETP	
C...209	59.22.2471	470 uF	-20%	6V, EL	
C...210	59.05.2223	22 nF	2.5%	25V, PP	
C...211	59.06.5102	1 nF	5%	25V, PETP	
C...212	59.05.2682	6.8 nF	2.5%	25V, PP	
C...214	59.06.5105	1 uF	5%	25V, PETP	
C...215	59.05.2472	4.7 nF	2.5%	25V, PP	
D...101	50.34.0125	1N 4448	any		
D...102	50.04.0125	1N 4448	any		

IND.	POS-NO.	PART NO.	VALUE	SPECIFICATIONS / EQUIVALENT	MANUF.
D...103	50.04.0125	1N 4448	any		
D...104	50.04.0125	1N 4448	any		
D...105	50.04.0125	1N 4448	any		
D...106	50.04.0125	1N 4448	any		
D...201	50.04.0125	1N 4448	any		
D...202	50.04.0125	1N 4448	any		
D...203	50.04.0125	1N 4448	any		
D...204	50.04.0125	1N 4448	any		
D...205	50.04.0125	1N 4448	any		
D...206	50.04.0125	1N 4448	any		
D...207	50.04.0125	1N 4448	any		
DV...100	50.04.1112	Z 5.1V	5 %	0.4 W	
DV...200	50.34.1112	Z 5.1V	5 %	0.4 W	
IC...1	50.09.0106	5532AN		SIGEX	
IC...2	50.09.0107	4559NE		RA+NEC	
IC...3	50.07.0034	06201ACJ		SX+Ha	
HI...100	1.322.225.00			STUDER	
HI...200	1.322.225.00			STUDER	
MP...1	1.725.250.11			Phono Unit PCB Holder	
MP...2	1.726.780.01			Tubular Rivet	
MP...3	28.21.1450				
P...1	54.01.0269			CIS Pin-Strip	
Q...1	50.03.0497	BC 550	NPN	matched	Site
Q...100	50.03.0515	BC 337	NPN	matched	Site
Q...101	50.03.0516	BC 337	NPN	matched	Site
Q...102	50.03.0516	BC 337	NPN	matched	Site
Q...103	50.03.0515	BC 337	NPN	matched	Site
Q...104	50.03.0625	BC 327	PNP	matched	Site
Q...105	50.03.0625	BC 327	PNP	matched	Site
Q...106	50.03.0625	BC 327	PNP	matched	Site
Q...208	50.03.0215	25K170	FET		TO
Q...209	50.03.0215	25K170	FET		TO
Q...210	50.03.0497	BC 550	NPN		
Q...211	50.03.0497	BC 550	NPN		
Q...212	50.03.0497	BC 550	NPN		
Q...213	50.03.0496	BC 560	PNP		
Q...214	50.03.0496	BC 560	PNP		
Q...215	50.03.0496	BC 560	PNP		
Q...216	50.03.0496	BC 560	PNP		
Q...217	50.03.0497	BC 550	NPN		
Q...218	50.03.0496	BC 560	PNP		
Q...219	50.03.0497	BC 550	NPN		
R.....1	57.11.4103	10 KOhm	2%	0.25W MF	
R.....2	57.11.4103	10 KOhm	2%	0.25W MF	
R.....3	57.11.4103	10 KOhm	2%	0.25W MF	

STUDER (01) 87/08/13 SP PHONO UNIT MM/MC "ESE" PL 1.725.250.00 PAGE 1

STUDER (01) 87/08/13 SP PHONO UNIT MM/MC "ESE" PL 1.725.250.00 PAGE 2

STUDER (01) 37/08/13 SP PHONO UNIT MM/MC "ESE" PL 1.725.250.00 PAGE 3

STUDER (01) 87/08/13 SP PHONO UNIT MM/MC "ESE" PL 1.725.250.00 PAGE 5

IND.	POS-NO.	PART NO.	VALUE	SPECIFICATIONS / EQUIVALENT	MANUF.
Q...107	50.03.0625	BC 327	PNP	matched	Site
Q...108	50.03.0215	25K170	FET		TO
Q...109	50.03.0215	25K170	FET		TO
Q...110	50.03.0497	BC 550	NPN		
Q...111	50.03.0497	BC 550	NPN		
Q...112	50.03.0497	BC 550	NPN		
Q...113	50.03.0496	BC 560	PNP		
Q...114	50.03.0496	BC 560	PNP		
Q...115	50.03.0496	BC 560	PNP		
Q...116	50.03.0496	BC 560	PNP		
Q...117	50.03.0497	BC 550	NPN		
Q...118	50.03.0496	BC 560	PNP		
Q...119	50.03.0497	BC 550	NPN		
Q...200	50.03.0515	BC 337	NPN	matched	Site
Q...201	50.03.0516	BC 337	NPN	matched	Site
Q...202	50.03.0516	BC 337	NPN	matched	Site
Q...203	50.03.0516	BC 337	NPN	matched	Site
Q...204	50.03.0625	BC 327	PNP	matched	Site
Q...205	50.03.0625	BC 327	PNP	matched	Site
Q...206	50.03.0625	BC 327	PNP	matched	Site
Q...207	50.03.0625	BC 327	PNP	matched	Site
Q...208	50.03.0215	25K170	FET		TO
Q...209	50.03.0215	25K170	FET		TO
Q...210	50.03.0497	BC 550	NPN		
Q...211	50.03.0497	BC 550	NPN		
Q...212	50.03.0497	BC 550	NPN		
Q...213	50.03.0496	BC 560	PNP		
Q...214	50.03.0496	BC 560	PNP		
Q...215	50.03.0496	BC 560	PNP		
Q...216	50.03.0496	BC 560	PNP		
Q...217	50.03.0497	BC 550	NPN		
Q...218	50.03.0496	BC 560	PNP		
Q...219	50.03.0497	BC 550	NPN		
R.....1	57.11.4103	10 KOhm	2%	0.25W MF	
R.....2	57.11.4103	10 KOhm	2%	0.25W MF	
R.....3	57.11.4103	10 KOhm	2%	0.25W MF	

STUDER (01) 87/08/13 SP PHONO UNIT MM/MC "ESE" PL 1.725.250.00 PAGE 5

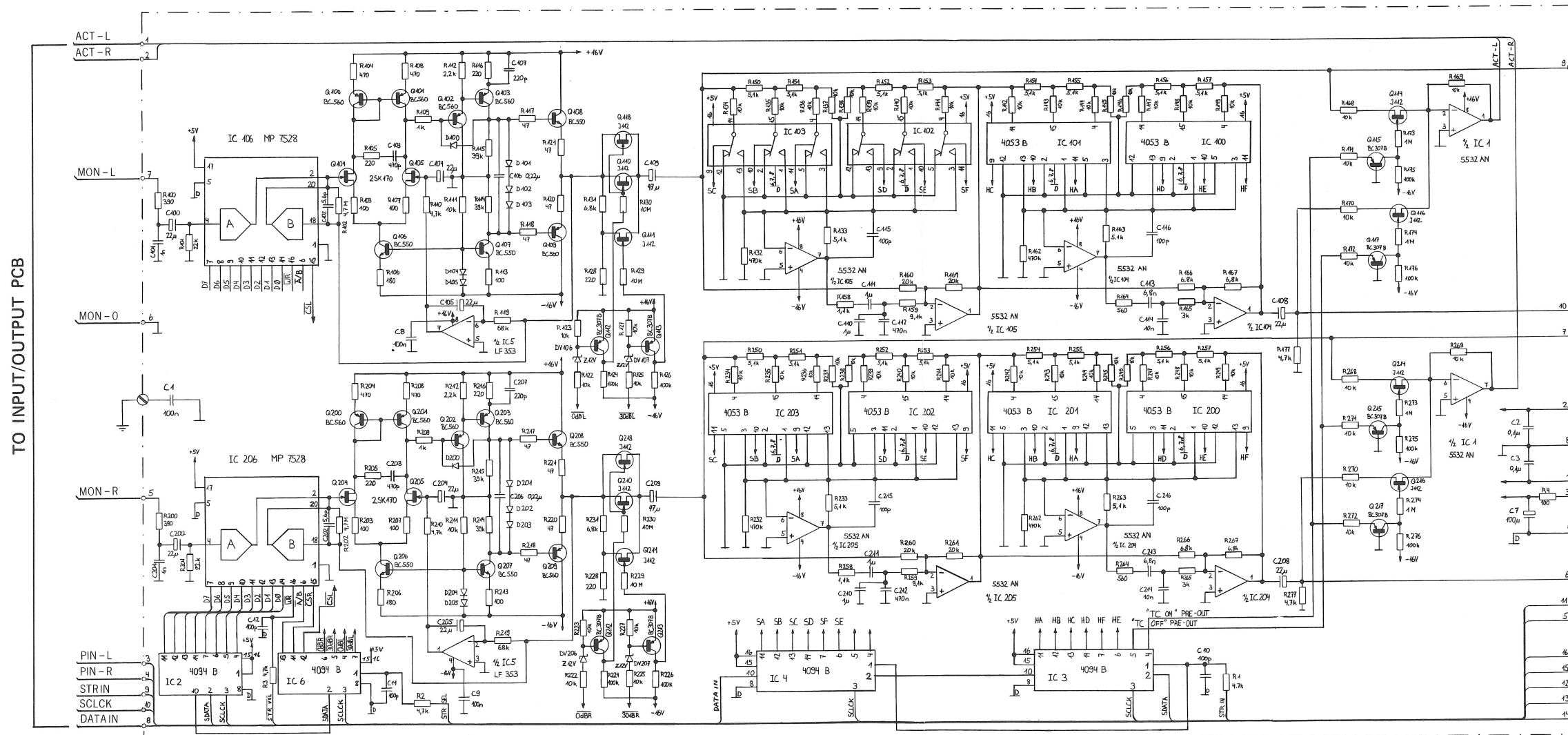
(01) 13.08.87 Improvement for FTZ requirement

Left Channel: MM/MC=100.....  
Right Channel: MM/MC=200.....  
Both : L.....

EL=Electrolytic, CER=Ceramic, PETP=Polyester, PP=Polypropylen  
MF=Metal Film

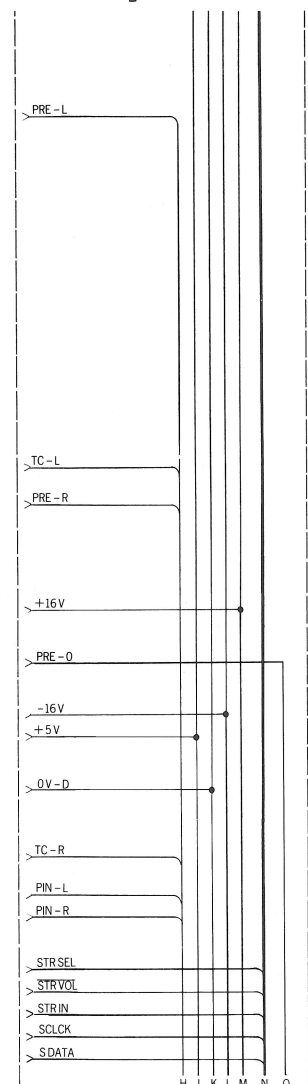
MANUFACTURER: ITT=Intermetall, EX=Exar, NEC=Nippon Electric  
NSC=National Semiconductors, RA=Raytheon

PREAMPLIFIER PCB 1.725.260.00 B250 (-S)



TO INPUT/OUTPUT PCB

SEE PHONO PCB



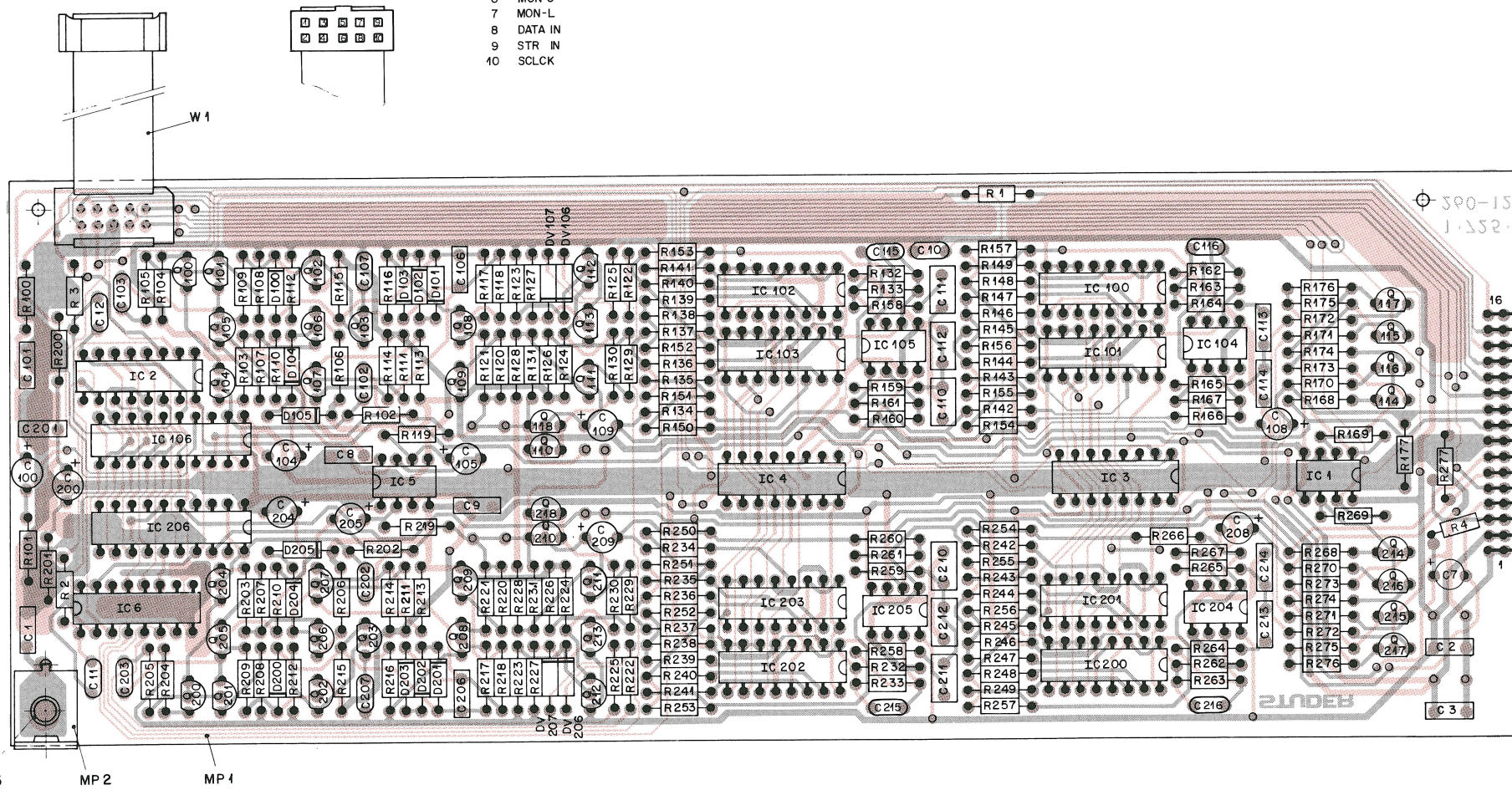
SEE POWER AMPLIFIER

① 30.686 Hm	④ 19.0587 SP	② 26.0687 Km	③ 14.0887 SP	○ . . .
AMPLIFIER B250				PAGE 1 OF 3
STUDER PREAMPLIFIER				SL 1.725.260.00



PREAMPLIFIER PCB 1.725.260.00 B250 (--S)

- 1 ACT-L
- 2 ACT-R
- 3 PIN-L
- 4 PIN-R
- 5 MON-R
- 6 MON-O
- 7 MON-L
- 8 DATA IN
- 9 STR IN
- 10 SCLCK



IND.	POS-NO.	PART NO.	VALUE	SPECIFICATIONS / EQUIVALENT	MANUF.
Q...	117	50-03-0515	BC 307B	PNP	ITT
Q...	118	50-03-0350	J 112	FET	Mot
Q...	200	50-03-0496	BC 560	PNP	Sie
Q...	201	50-03-0496	BC 560	PNP	Sie
Q...	202	50-03-0496	BC 560	PNP	Sie
Q...	203	50-03-0496	BC 560	PNP	Sie
Q...	204	50-03-0215	SK 170	FET	TO
Q...	205	50-03-0215	SK 170	FET	TO
Q...	206	50-03-0497	BC 550	NPN	Sie
Q...	207	50-03-0497	BC 550	NPN	Sie
Q...	208	50-03-0497	BC 550	NPN	Sie
Q...	209	50-03-0496	BC 560	PNP	Sie
Q...	210	50-03-0350	J 112	FET	Mot
Q...	211	50-03-0350	J 112	FET	Mot
Q...	212	50-03-0515	BC 307B	PNP	ITT
Q...	213	50-03-0515	BC 307B	PNP	ITT
Q...	214	50-03-0350	J 112	FET	Mot
Q...	215	50-03-0515	BC 307B	PNP	ITT
Q...	216	50-03-0350	J 112	FET	Mot
Q...	217	50-03-0515	BC 307B	PNP	ITT
Q...	218	50-03-0350	J 112	FET	Mot

R...	1	57-11-4472	4.7 KOhm	2%	0.25W	MF
R...	2	57-11-4472	4.7 KOhm	2%	0.25W	MF
R...	3	57-11-4472	4.7 KOhm	2%	0.25W	MF
R...	4	57-11-4101	100 Ohm	2%	0.25W	MF
R...	100	57-11-4391	390 Ohm	2%	0.25W	MF
R...	101	57-11-4223	22 KOhm	2%	0.25W	MF
R...	102	57-11-4475	4.7 KOhm	2%	0.25W	MF
R...	103	57-11-4101	100 Ohm	2%	0.25W	MF
R...	104	57-11-4471	4.7 KOhm	2%	0.25W	MF
R...	105	57-11-4221	220 Ohm	2%	0.25W	MF
R...	106	57-11-4101	100 Ohm	2%	0.25W	MF
R...	107	57-11-4101	100 Ohm	2%	0.25W	MF
R...	108	57-11-4471	4.7 KOhm	2%	0.25W	MF
R...	109	57-11-4102	1 KOhm	2%	0.25W	MF
R...	110	57-11-4472	4.7 KOhm	2%	0.25W	MF

STUDER (03) 88/02/29 SP PREAMPLIFIER "ESE" PL 1.725.260.00 PAGE 4

IND.	POS-NO.	PART NO.	VALUE	SPECIFICATIONS / EQUIVALENT	MANUF.	
R...	111	57-11-4103	10 KOhm	2%	0.25W	MF
R...	112	57-11-4222	2.2 KOhm	2%	0.25W	MF
R...	113	57-11-4101	100 Ohm	2%	0.25W	MF
R...	114	57-11-4393	39 KOhm	2%	0.25W	MF
R...	115	57-11-4393	39 KOhm	2%	0.25W	MF
R...	116	57-11-4221	220 Ohm	2%	0.25W	MF
R...	117	57-11-4470	4.7 Ohm	2%	0.25W	MF
R...	118	57-11-4470	4.7 Ohm	2%	0.25W	MF
R...	119	57-11-4104	100 KOhm	2%	0.25W	MF
R...	120	57-11-4470	4.7 Ohm	2%	0.25W	MF
R...	121	57-11-4470	4.7 Ohm	2%	0.25W	MF
R...	122	57-11-4103	10 KOhm	2%	0.25W	MF
R...	123	57-11-4103	10 KOhm	2%	0.25W	MF
R...	124	57-11-4104	100 KOhm	2%	0.25W	MF
R...	125	57-11-4103	10 KOhm	2%	0.25W	MF
R...	126	57-11-4104	100 KOhm	2%	0.25W	MF
R...	127	57-11-4103	10 KOhm	2%	0.25W	MF
R...	128	57-11-4221	220 Ohm	2%	0.25W	MF
R...	129	57-11-4103	10 KOhm	2%	0.25W	MF
R...	130	57-11-5106	10 MOhm	5%	0.25W	CF
R...	131	57-11-4682	6.8 KOhm	2%	0.25W	MF
R...	132	57-11-4474	4.7 KOhm	2%	0.25W	MF
R...	133	57-11-3512	5.1 KOhm	2%	0.25W	MF
R...	134	57-11-4103	10 KOhm	2%	0.25W	MF
R...	135	57-11-4103	10 KOhm	2%	0.25W	MF
R...	136	57-11-4103	10 KOhm	2%	0.25W	MF
R...	137	57-11-4103	10 KOhm	2%	0.25W	MF
R...	138	57-11-4103	10 KOhm	2%	0.25W	MF
R...	139	57-11-4103	10 KOhm	2%	0.25W	MF
R...	140	57-11-4103	10 KOhm	2%	0.25W	MF
R...	141	57-11-4103	10 KOhm	2%	0.25W	MF
R...	142	57-11-4103	10 KOhm	2%	0.25W	MF
R...	143	57-11-4103	10 KOhm	2%	0.25W	MF
R...	144	57-11-4103	10 KOhm	2%	0.25W	MF
R...	145	57-11-4103	10 KOhm	2%	0.25W	MF
R...	146	57-11-4103	10 KOhm	2%	0.25W	MF

STUDER (03) 88/02/29 SP PREAMPLIFIER "ESE" PL 1.725.260.00 PAGE 5

IND.	POS-NO.	PART NO.	VALUE	SPECIFICATIONS / EQUIVALENT	MANUF.
C...	1	59-06-0104	0.1 uF	10% 25V	PETP
C...	2	59-06-0104	0.1 uF	10% 25V	PETP
C...	3	59-06-0104	0.1 uF	10% 25V	PETP
C...	7	59-22-3101	100 uF	-20% 10V	EL
C...	8	59-06-0104	0.1 uF	10% 25V	PETP
C...	9	59-06-0104	0.1 uF	10% 25V	PETP
C...	10	59-34-4101	100 pF	10% 25V	Cer
C...	11	59-34-4101	100 pF	10% 25V	Cer
C...	12	59-34-4101	100 pF	10% 25V	Cer
C...	100	59-22-5220	22 uF	-20% 10V	EL
C...	101	59-06-0102	1 nF	10% 25V	PETP
C...	102	59-34-0569	5.6 pF	10% 25V	Cer
C...	103	59-34-5471	4.7 pF	10% 25V	Cer
C...	104	59-22-5220	22 uF	-20% 25V	EL
C...	105	59-22-5220	22 uF	-20% 25V	EL
C...	106	59-06-0224	220 nF	10% 25V	PETP
C...	107	59-34-4221	220 pF	10% 25V	Cer
C...	108	59-22-5220	22 uF	-20% 10V	EL
C...	109	59-22-5220	22 uF	-20% 10V	EL
C...	110	59-22-5220	22 uF	-20% 10V	EL
C...	109	59-22-3101	47 uF	-20% 10V	EL
C...	110	59-06-5105	1 uF	5% 25V	PETP
C...	111	59-06-5105	1 uF	5% 25V	PETP
C...	112	59-06-5474	4.7 nF	5% 25V	PETP
C...	113	59-06-5682	6.8 nF	5% 25V	PETP
C...	114	59-06-5103	10 nF	5% 25V	PETP
C...	115	59-34-4101	100 pF	10% 25V	Cer
C...	116	59-34-4101	100 pF	10% 25V	Cer
C...	200	59-22-5220	22 uF	-20% 10V	EL
C...	201	59-06-0102	1 nF	10% 25V	PCTP
C...	202	59-34-0569	5.6 pF	10% 25V	Cer
C...	203	59-34-5471	4.7 pF	10% 25V	Cer
C...	204	59-22-5220	22 uF	-20% 25V	EL
C...	205	59-22-5220	22 uF	-20% 25V	EL
C...	206	59-06-0224	220 nF	10% 25V	PETP
C...	207	59-34-4221	220 pF	10% 25V	Cer
C...	208	59-22-5220	22 uF	-20% 10V	EL

STUDER (03) 88/02/29 SP PREAMPLIFIER "ESE" PL 1.725.260.00 PAGE 1

IND.	POS-NO.	PART NO.	VALUE	SPECIFICATIONS / EQUIVALENT	MANUF.	
(00)	C...	209	59-22-5220	22 uF	-20% 10V	EL
(01)	C...	209	59-22-3101	100 uF	-20% 10V	EL
(02)	C...	209	59-22-3470	47 uF	-20% 10V	EL
C...	210	59-06-5105	1 uF	5% 25V	PETP	
C...	211	59-06-5105	1 uF	5% 25V	PETP	
C...	212	59-06-5474	4.7 nF	5% 25V	PETP	
C...	213	59-06-5682	6.8 nF	5% 25V	PETP	
C...	214	59-06-5103	10 nF	5% 25V	PETP	
(02)	C...	215	59-34-4101	100 pF	10% 25V	Cer
(02)	C...	216	59-34-4101	100 pF	10% 25V	Cer
D...	100	50-04-0125	IN 4448			
D...	101	50-04-0125	IN 4448			
D...	102	50-04-0125	IN 4448			
D...	103	50-04-0125	IN 4448			
D...	104	50-04-0125	IN 4448			
D...	105	50-04-0125	IN 4448			
D...	200	50-04-0125	IN 4448			
D...	201	50-04-0125	IN 4448			
D...	202	50-04-0125	IN 4448			
D...	203	50-04-0125	IN 4448			
D...	204	50-04-0125	IN 4448			
D...	205	50-04-0125	IN 4448			
DV...	106	50-04-1117	Z 12 V	5% 0.4 W		
DV...	107	50-04-1117	Z 12 V	5% 0.4 W		
DV...	108	50-04-1117	Z 12 V	5% 0.4 W		
DV...	207	50-04-1117	Z 12 V	5% 0.4 W		
IC...	1	50-09-0106	NE 5532AN	OP-AMP Dual	Low Noise	Sig
IC...	2	50-07-0018	MC 14094B	HEF 4094B		Mot+Ph
IC...	3	50-07-0018	MC 14094B	HEF 4094B		Mot+Ph
IC...	4	50-07-0018	MC 14094B	HEF 4094B		Mot+Ph
IC...	5	50-09-0101	TL 072ACP	LF 353		TI+NS
IC...	6	50-07-0018	MC 14094B	HEF 4094B		Mot+Ph
IC...	100	50-07-0015	MC 14053B	HEF 4053B		Mot+Ph
IC...	101	50-07-0015	MC 14053B	HEF 4053B		Mot+Ph

STUDER (03) 88/02/29 SP PREAMPLIFIER "ESE" PL 1.725.260.00 PAGE 2

IND.	POS-NO.	PART NO.	VALUE	SPECIFICATIONS / EQUIVALENT	MANUF.	
IC...	102	50-07-0015	MC 14053B	HEF 4053B	Mot+Ph	
IC...	103	50-07-0015	MC 14053B	HEF 4053B	Mot+Ph	
IC...	104	50-09-0106	NE 5532AN	OP-AMP Dual	Low Noise	Sig
IC...	105	50-09-0106	NE 5532AN	OP-AMP Dual	Low Noise	Sig
IC...	106	50-07-0037	AD 7528JN		ADI	
IC...	200	50-07-0015	MC 14053B	HEF 4053B	Mot+Ph	
IC...	201	50-07-0015	MC 14053B	HEF 4053B	Mot+Ph	
IC...	202	50-07-0015	MC 14053B	HEF 4053B	Mot+Ph	
IC...	203	50-07-0015	MC 14053B	HEF 4053B	Mot+Ph	
IC...	204	50-09-0106	NE 5532AN	OP-AMP Dual	Low Noise	Sig
IC...	205	50-09-0106	NE 5532AN	OP-AMP Dual	Low Noise	Sig
IC...	206	50-07-0037	AD 7528JN		ADI	
(00)	MP...	1.725.260.11		PreamplifierPCB		
(03)	MP...	1.725.260.12		PreamplifierPCB		
MP...	2	1.726.780.01		Holder		
MP...	3	28.21.1450		Tubular Rivet		
P...	1	54-31-0276	16-PDLE	Plug Assembly C15		
Q...	100	50-03-0496	BC 560	PNP	Sie	
Q...	101	50-03-0496	BC 560	PNP	Sie	
Q...	102	50-03-0496	BC 560	PNP	Sie	
Q...	103	50-03-0496	BC 560	PNP	Sie	
Q...	104	50-03-0215	SK 170	FET	TO	
Q...	105	50-03-0215	SK 170	FET	TO	
Q...	106	50-03-0497	BC 550	NPN	Sie	
Q...	107	50-03-0497	BC 550	NPN	Sie	
Q...	108	50-03-0497	BC 550	NPN	Sie	
Q...	109	50-03-0496	BC 560	PNP	Sie	
Q...	110	50-03-0350	J 112	FET	Mot	
Q...	111	50-03-0350	J 112	FET	Mot	
Q...	112	50-03-0515	BC 307B	PNP	ITT	
Q...	113	50-03-0515	BC 307B	PNP	ITT	
Q...	114	50-03-0350	J 112	FET	Mot	
Q...	115	50-03-0515	BC 307B	PNP	ITT	
Q...	116	50-03-0350	J 112	FET	Mot	

STUDER (03) 88/02/29 SP PREAMPLIFIER "ESE" PL 1.725.260.00 PAGE 3

IND.	POS-NO.	PART NO.	VALUE	SPECIFICATIONS / EQUIVALENT	MANUF.</
------	---------	----------	-------	-----------------------------	----------

PREAMPLIFIER PCB 1.725.260.00 B250 (--S)

IND.	POS.NO.	PART NO.	VALUE	SPECIFICATIONS / EQUIVALENT	MANUF.	
R...	206	57.11.4181	180 Ohm	2%	0.25W MF	
R...	207	57.11.4101	100 Ohm	2%	0.25W MF	
R...	208	57.11.4471	470 Ohm	2%	0.25W MF	
R...	209	57.11.4102	1 KOhm	2%	0.25W MF	
R...	210	57.11.4472	4.7 KOhm	2%	0.25W MF	
R...	211	57.11.4103	10 KOhm	2%	0.25W MF	
R...	212	57.11.4222	2.2 KOhm	2%	0.25W MF	
R...	213	57.11.4101	100 Ohm	2%	0.25W MF	
R...	214	57.11.4393	39 KOhm	2%	0.25W MF	
R...	215	57.11.4393	39 KOhm	2%	0.25W MF	
R...	216	57.11.4221	220 Ohm	2%	0.25W MF	
R...	217	57.11.4470	47 Ohm	2%	0.25W MF	
R...	218	57.11.4470	47 Ohm	2%	0.25W MF	
R...	219	57.11.4104	100 KOhm	2%	0.25W MF	
(00)	R...	219	57.11.4683	68 KOhm	2%	0.25W MF
(02)	R...	220	57.11.4470	47 Ohm	2%	0.25W MF
R...	221	57.11.4470	47 Ohm	2%	0.25W MF	
R...	222	57.11.4103	10 KOhm	2%	0.25W MF	
R...	223	57.11.4103	10 KOhm	2%	0.25W MF	
R...	224	57.11.4104	100 KOhm	2%	0.25W MF	
R...	225	57.11.4103	10 KOhm	2%	0.25W MF	
R...	226	57.11.4104	100 KOhm	2%	0.25W MF	
R...	227	57.11.4103	10 KOhm	2%	0.25W MF	
R...	228	57.11.4221	220 Ohm	2%	0.25W MF	
R...	229	57.11.5106	10 MOhm	5%	0.25W CF	
R...	230	57.11.5106	10 MOhm	5%	0.25W CF	
R...	231	57.11.4682	6.8 KOhm	2%	0.25W MF	
R...	232	57.11.4474	470 KOhm	2%	0.25W MF	
R...	233	57.11.3512	5.1 KOhm	2%	0.25W MF	
R...	234	57.11.4103	10 KOhm	2%	0.25W MF	
R...	235	57.11.4103	10 KOhm	2%	0.25W MF	
R...	236	57.11.4103	10 KOhm	2%	0.25W MF	
R...	237	57.11.4103	10 KOhm	2%	0.25W MF	
R...	238	57.11.4103	10 KOhm	2%	0.25W MF	
R...	239	57.11.4103	10 KOhm	2%	0.25W MF	
R...	240	57.11.4103	10 KOhm	2%	0.25W MF	
R...	241	57.11.4103	10 KOhm	2%	0.25W MF	

S T U D E R (03) 88/02/29 SP PREAMPLIFIER "ESE" PL 1.725.260.00 PAGE 7

IND.	POS.NO.	PART NO.	VALUE	SPECIFICATIONS / EQUIVALENT	MANUF.
R...	242	57.11.4103	10 KOhm	2%	0.25W MF
R...	243	57.11.4103	10 KOhm	2%	0.25W MF
R...	244	57.11.4103	10 KOhm	2%	0.25W MF
R...	245	57.11.4103	10 KOhm	2%	0.25W MF
R...	246	57.11.4103	10 KOhm	2%	0.25W MF
R...	247	57.11.4103	10 KOhm	2%	0.25W MF
R...	248	57.11.4103	10 KOhm	2%	0.25W MF
R...	249	57.11.4103	10 KOhm	2%	0.25W MF
R...	250	57.11.3512	5.1 KOhm	2%	0.25W MF
R...	251	57.11.3512	5.1 KOhm	2%	0.25W MF
R...	252	57.11.3512	5.1 KOhm	2%	0.25W MF
R...	253	57.11.3512	5.1 KOhm	2%	0.25W MF
R...	254	57.11.3512	5.1 KOhm	2%	0.25W MF
R...	255	57.11.3512	5.1 KOhm	2%	0.25W MF
R...	256	57.11.3512	5.1 KOhm	2%	0.25W MF
R...	257	57.11.3512	5.1 KOhm	2%	0.25W MF
R...	258	57.11.3112	1.1 KOhm	2%	0.25W MF
R...	259	57.11.3912	9.1 KOhm	2%	0.25W MF
R...	260	57.11.3203	20 KOhm	2%	0.25W MF
R...	261	57.11.3203	20 KOhm	2%	0.25W MF
R...	262	57.11.4474	470 KOhm	2%	0.25W MF
R...	263	57.11.3512	5.1 KOhm	2%	0.25W MF
R...	264	57.11.4561	560 Ohm	2%	0.25W MF
R...	265	57.11.3302	3 KOhm	2%	0.25W MF
R...	266	57.11.4682	6.8 KOhm	2%	0.25W MF
R...	267	57.11.4682	6.8 KOhm	2%	0.25W MF
R...	268	57.11.4103	10 KOhm	2%	0.25W MF
R...	269	57.11.4103	10 KOhm	2%	0.25W MF
R...	270	57.11.4103	10 KOhm	2%	0.25W MF
R...	271	57.11.4103	10 KOhm	2%	0.25W MF
R...	272	57.11.4103	10 KOhm	2%	0.25W MF
R...	273	57.11.4105	1 MOhm	2%	0.25W MF
R...	274	57.11.4105	1 MOhm	2%	0.25W MF
R...	275	57.11.4104	100 KOhm	2%	0.25W MF
R...	276	57.11.4104	100 KOhm	2%	0.25W MF
R...	277	57.11.4472	4.7 KOhm	2%	0.25W MF

S T U D E R (03) 88/02/29 SP PREAMPLIFIER "ESE" PL 1.725.260.00 PAGE 8

IND.	POS.NO.	PART NO.	VALUE	SPECIFICATIONS / EQUIVALENT	MANUF.
W.....	1	1.023.110.06	10-POLE	Flat Cable	

(01) Correction of POSLIST  
 (02) Quality improvement  
 (03) Quality improvement

Both Channels: 1.....  
 Left Channel: 100.....  
 Right Channel: 200.....

EL=Electrolytic; Cer=Ceramic; PETP=Polyester  
 MF=Metal Film; CF=Carbon Film

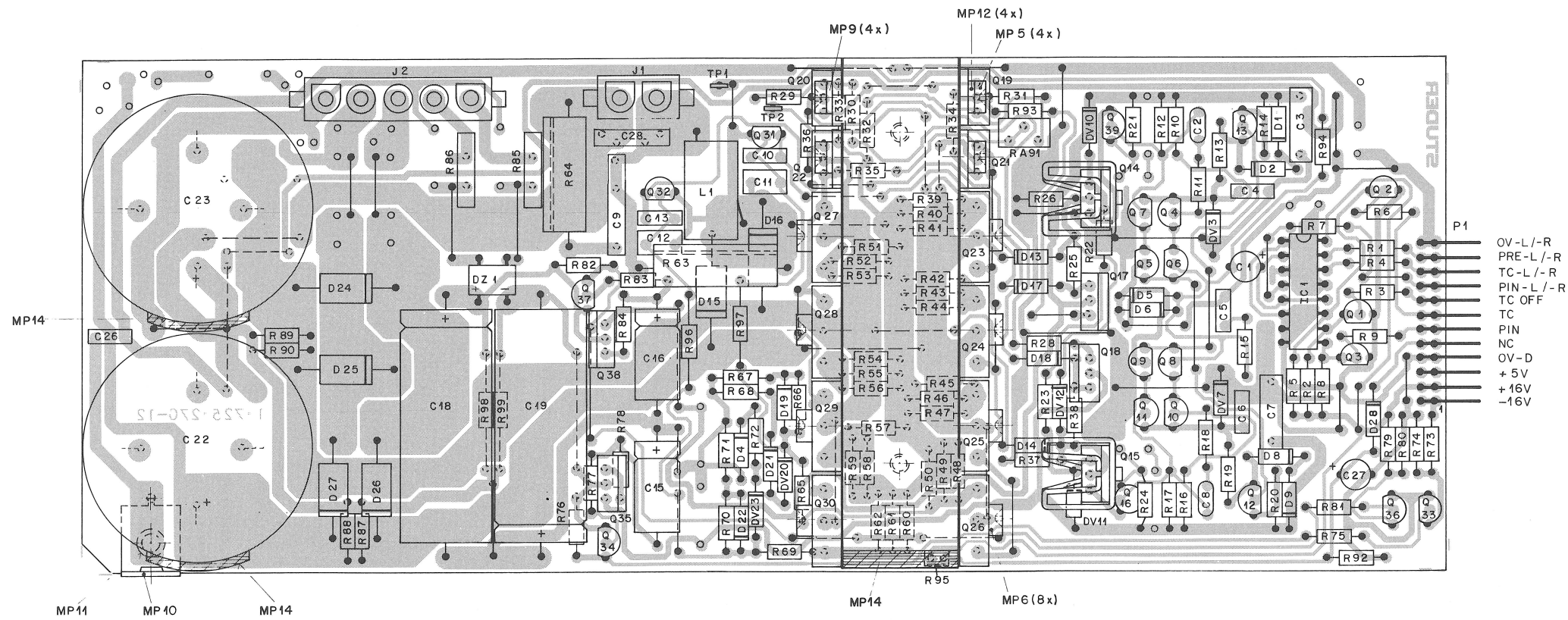
MANUFACTURER: ADI=Analog Devices; NS=National Semiconductors  
 Ph=Philips; Mot=Motorola; TI=Texas Instruments; TO=Toshiba

ORIG 87/05/19 (01) 87/06/26 (02) 87/08/14 (03) 88/02/29

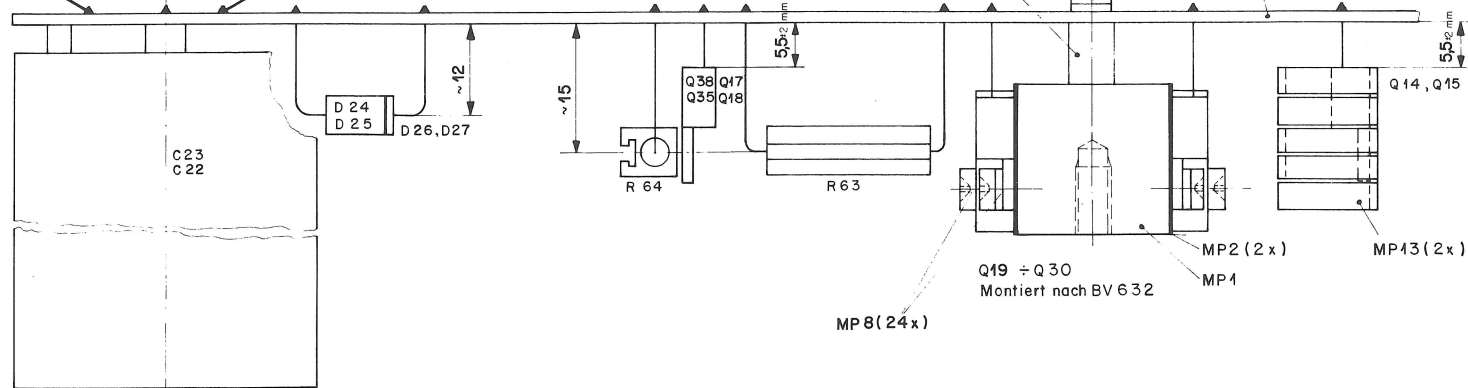
S T U D E R (03) 88/02/29 SP PREAMPLIFIER "ESE" PL 1.725.260.00 PAGE 9



POWER AMPLIFIER PCB 1.725.270.00 B250 (-S)



② Bei C 22 Stütze zwischen Pin 4 und 2 abgeschnitten (nur Frako)



Warnschild - ESE und Nr. Etiketle nach Fabr. Muster aufgeklebt.

IND.	POS.ND.	PART NO.	VALUE	SPECIFICATIONS / EQUIVALENT	MANUF.
(00)	C...001	59.22.3101	100 uF	-10% + 10V + EL	
(02)	C...001	59.22.3220	22 uF	-10% + 10V + EL	
	C...002	59.34.5671	470 pF	5% + 63V + CER	
	C...003	59.02.2154	150 nF	10% + 100V + PETP/PHE	
	C...004	59.06.0104	100 nF	10% + 63V + PETP	
	C...005	59.06.5222	2.2 nF	5% + 63V + PETP	
	C...006	59.06.0104	100 nF	10% + 63V + PETP	
	C...007	59.02.2154	150 nF	10% + 100V + PETP/PHE	
	C...008	59.34.5671	470 pF	5% + 63V + CER	
	C...009	59.05.6333	33 nF	10% + 400V + PP	
	C...010	59.06.0473	47 nF	10% + 63V + PETP	
	C...011	59.06.0474	470 nF	10% + 63V + PETP	
	C...012	59.06.0474	470 nF	10% + 63V + PETP	
	C...013	59.06.0473	47 nF	10% + 63V + PETP	
	C...015	59.25.7100	10 uF	-10% + 100V + EL	
	C...018	59.25.7221	220 uF	-10% + 100V + EL	
	C...019	59.25.7221	220 uF	-10% + 100V + EL	
	C...022	59.35.6223	22 nF	-20% + 63V + EL	
	C...023	59.35.6223	22 nF	-20% + 63V + EL	
	C...026	59.06.0104	100 nF	10% + 63V + PETP	
	C...027	59.22.6103	10 uF	-10% + 35V + EL	
(00)	C...028	59.05.6222	2.2 nF	10% + 160V + PP	
(01)	C...028	59.05.6222	2.2 nF	10% + 160V + PP	
	D...001	50.04.0125	1N4448		any
	D...002	50.04.0125	1N4448		any
	D...004	50.04.0133	BAV 20	Ur=120V	Ph
	D...005	50.04.0125	1N4448		any
	D...006	50.04.0125	1N4448		any
	D...008	50.04.0125	1N4448		any
	D...009	50.04.0125	1N4448		any
	D...013	50.04.0133	BAV 20	Ur=120V	Ph
	D...014	50.04.0133	BAV 20	Ur=120V	Ph
	D...015	50.04.0507	1N5402	200 V + 3 A + MR 502	Mot
	D...016	50.04.0507	1N5402	200 V + 3 A + MR 502	Mot
	D...017	50.04.0125	1N4448		any

STUDER (05) 88/02/29 SP POWER AMPLIFIER "ESE" PL 1.725.270.00 PAGE 1

IND.	POS.ND.	PART NO.	VALUE	SPECIFICATIONS / EQUIVALENT	MANUF.
	D...018	50.04.0125	1N4448		any
	D...019	50.04.0133	BAV 20	Ur=120V	Ph
	D...021	50.04.0133	BAV 20	Ur=120V	Ph
	D...022	50.04.0133	BAV 20	Ur=120V	Ph
	D...024	50.04.0507	1N5402	200 V + 3 A + MR 502	Mot
	D...025	50.04.0507	1N5402	200 V + 3 A + MR 502	Mot
	D...026	50.04.0507	1N5402	200 V + 3 A + MR 502	Mot
	D...027	50.04.0507	1N5402	200 V + 3 A + MR 502	Mot
	D...028	50.04.0125	1N4448		any
	DV...003	50.04.1112	5.1 V	Z, 400 mW	any
	DV...007	50.04.1112	5.1 V	Z, 400 mW	any
	DV...010	50.04.1112	5.1 V	Z, 400 mW	any
	DV...011	50.04.1112	5.1 V	Z, 400 mW	any
	DV...012	50.04.1112	5.1 V	Z, 400 mW	any
	DV...020	50.04.1116	2.2 V	Z, 400 mW	any
	DV...023	50.04.1116	2.2 V	Z, 400 mW	any
	DZ...001	70.01.0217	DF 04M	400 V + 1 A	
	IC...001	50.07.0015	MC14053	Triple 2Chn. Analog Mpx.	Mot
	J...001	54.25.0002	2 pole	Power Connector	
	J...002	54.25.0005	5 pole	Power Connector	
	L...001	1.728.320.25	3.0uH	Output Coil	St
	MP...001	1.725.270.01	1 pcs	Cooling Block	
	MP...002	1.725.270.02	2 pcs	Thermostatic Foil	
	MP...003	21.38.1372	2 pcs	Screw M3x16 Rustless	
	MP...004	1.010.503.27	2 pcs	Distance Holder	
(00)	MP...005	21.26.0355	4 pcs	Screw M3x8	
(02)	MP...005	21.26.0357	4 pcs	Screw M3x8	
	MP...006	21.26.0357	8 pcs	Screw M3x12	
(00)	MP...007	1.725.270.11	1 pcs	Power Amp PCB	
(05)	MP...007	1.725.270.12	1 pcs	Power Amp PCB	
	MP...008	37.01.0101	24 pcs	Spring Washer	

STUDER (05) 88/02/29 SP POWER AMPLIFIER "ESE" PL 1.725.270.00 PAGE 2

IND.	POS.ND.	PART NO.	VALUE	SPECIFICATIONS / EQUIVALENT	MANUF.
	MP...009	1.010.098.27	4 pcs	Washer	
	MP...010	1.726.780.01	1 pcs	Holder	
	MP...011	28.21.1450	1 pcs	Tubular Rivet	
	MP...012	50.20.0404	4 pcs	Insulating Bush	
	MP...013	50.20.3004	2 pcs	Heatsink	
	MP...014	1.725.270.03	3 pcs	foam rubber	
	P...001	54.31.0221	12 pole	CIS	
	Q...001	50.03.0436	BC 237B	NPN	Sie
	Q...002	50.03.0436	BC 237B	NPN	Sie
	Q...003	50.03.0436	BC 237B	NPN	Sie
	Q...004	50.03.0553	BF 422	NPN Vceo>160V	Ph
	Q...005	1.010.039.50	BC 550C	NPN Matched with 06	St
	Q...006	1.010.039.50	BC 550C	NPN Matched with 05	St
	Q...007	50.03.0553	BF 422	NPN Vceo>160V	Ph
	Q...008	1.010.038.50	BC 560C	PNP Matched with 09	St
	Q...009	1.010.038.50	BC 560C	PNP Matched with 08	St
	Q...010	50.03.0627	BF 423	PNP Vceo>160V	Ph
	Q...011	50.03.0627	BF 423	PNP Vceo>160V	Ph
	Q...012	50.03.0553	BF 422	NPN Vceo>160V	Ph
	Q...013	50.03.0627	BF 423	PNP Vceo>160V	Ph
	Q...014	50.03.0801	25A96B	PNP Vceo>160V+B>70	To
	Q...015	50.03.0776	25C238B	NPN Vceo>160V+B>70	To
	Q...016	50.03.0497	BC 550	NPN	Sie
	Q...017	50.03.0776	25C238B	NPN Vceo>160V+B>70	To
	J...018	50.03.0801	25A96B	PNP Vceo>160V+B>70	To
	J...019	50.03.0776	25C238B	NPN Vceo>160V+B>70	To
	Q...020	50.03.0801	25A96B	PNP Vceo>160V+B>70	To
	Q...021	50.03.0776	25C238B	NPN Vceo>120V+B>70	To
	Q...022	50.03.0801	25A96B	PNP Vceo>120V+B>70	To
	Q...023	50.03.0517	25C3012	NPN	NEC
	Q...024	50.03.0517	25C3012	NPN	NEC
	Q...025	50.03.0517	25C3012	NPN	NEC
	Q...026	50.03.0517	25C3012	NPN	NEC
	Q...027	50.03.0518	25A1232	PNP	NEC
	Q...028	50.03.0518	25A1232	PNP	NEC

STUDER (05) 88/02/29 SP POWER AMPLIFIER "ESE" PL 1.725.270.00 PAGE 3



POWER AMPLIFIER PCB 1.725.270.00 B250 (-S)

IND.	POS.NO.	PART NO.	VALUE	SPECIFICATIONS / EQUIVALENT	MANUF.	IND.	POS.NO.	PART NO.	VALUE	SPECIFICATIONS / EQUIVALENT	MANUF.
	Q...029	50.03.0518	25A1232	PNP	NEC		R...092	57.11.4472	4.7 kOhm	2% ± 0.25W ± MF	
	Q...030	50.03.0518	25A1232	PNP	NEC	(00)	R...093	57.19.0820	82 Ohm	5% ± 0.25W ± MF	FUSIBLE RESISTOR
	Q...031	50.03.0497	BC 590	PNP	Sie	(03)	R...093	57.19.0151	150 Ohm	5% ± 0.25W ± MF	FUSIBLE RESISTOR
	Q...032	50.03.0496	BC 560	PNP			R...094	57.11.4683	68 kOhm	2% ± 0.25W ± MF	
(00)	Q...033	50.03.0627	BF 423	PNP	Vceo>120V		R...095	57.99.0220	16.7kOhm	100 C ± NTC	
(04)	Q...034	50.03.0553	BF 422	PNP	Vceo>120V		R...096	57.11.4101	100 Ohm	2% ± 0.25W ± MF	
	Q...035	50.03.0551	BC 639	PNP	Vceo>90V		R...097	57.11.4101	100 Ohm	2% ± 0.25W ± MF	
	Q...036	50.03.0553	BF 422	PNP	Vceo>120V;B>70		R...098	57.11.4153	15 kOhm	2% ± 0.25W ± MF	
(00)	Q...037	50.03.0627	BF 423	PNP	Vceo>120V		R...099	57.11.4153	15 kOhm	2% ± 0.25W ± MF	
(04)	Q...037	50.03.0626	BC 640	PNP	Vceo>90V	(00)	RA...091	58.01.9101	1 kOhm	10% ± 0.5 W ± Cerm	
	Q...038	50.03.0776	25E2238	PNP	Vceo>120V;B>70	(01)	RA...091	58.01.9102	1 kOhm	10% ± 0.5 W ± Cerm	
	Q...039	50.03.0496	BC 560	PNP		(04)	RA...091	58.01.9501	500 Ohm	10% ± 0.5 W ± Cerm	
	R...001	57.11.4682	6.8 kOhm	2% ± 0.25W ± MF			TP...001	29.21.6002			
	R...002	57.11.4473	47 kOhm	2% ± 0.25W ± MF			TP...002	29.21.6002			
	R...003	57.11.4473	47 kOhm	2% ± 0.25W ± MF							
	R...004	57.11.4682	6.8 kOhm	2% ± 0.25W ± MF							
	R...005	57.11.4473	47 kOhm	2% ± 0.25W ± MF							
	R...006	57.11.4473	47 kOhm	2% ± 0.25W ± MF							
	R...007	57.11.4682	6.8 kOhm	2% ± 0.25W ± MF							
	R...008	57.11.4473	47 kOhm	2% ± 0.25W ± MF							
	R...009	57.11.4473	47 kOhm	2% ± 0.25W ± MF							
	R...010	57.11.3242	2.4 kOhm	2% ± 0.25W ± MF							
	R...011	57.11.4152	1.5 kOhm	2% ± 0.25W ± MF							
	R...012	57.11.3242	2.4 kOhm	2% ± 0.25W ± MF							
	R...013	57.11.0121	100 Ohm	5% ± 0.25W ± MF							
	R...014	57.19.0331	330 Ohm	5% ± 0.25W ± MF	FUSIBLE RESISTOR						
	R...015	57.11.3131	130 Ohm	2% ± 0.25W ± MF							
	R...016	57.11.3242	2.4 kOhm	2% ± 0.25W ± MF							
	R...017	57.11.3242	2.4 kOhm	2% ± 0.25W ± MF							
	R...018	57.11.4152	1.5 kOhm	2% ± 0.25W ± MF							
	R...019	57.11.4223	22 kOhm	2% ± 0.25W ± MF							
	R...020	57.19.0331	330 Ohm	5% ± 0.25W ± MF	FUSIBLE RESISTOR						
(00)	R...021	57.19.0101	100 Ohm	5% ± 0.25W ± MF	FUSIBLE RESISTOR						
(03)	R...021	57.19.0121	120 Ohm	5% ± 0.25W ± MF	FUSIBLE RESISTOR						
	R...022	57.11.4223	22 kOhm	2% ± 0.25W ± MF							

(01) Correction of POSLIST  
(02) Quality improvement  
(03) Reduction of biascurrent for Q14, Q15, Q17, Q18  
(04) Improvement for operation under fault conditions (IEC 65)  
(05) Quality improvement  
MF=Metalfilm  
Cer=Ceramic  
PetcpPolyester  
El=Electrolytic  
PP=Polypropylene  
MANUFACTURER: Sie=Siemens, St=Studer, To=Toshiba  
Not=Motorola, Ph=Philips

ORIG 87/05/19 (01) 87/07/01 (02) 87/08/13 (03) 87/09/11 (04) 87/10/22  
(05) 88/02/29

S T U D E R (05) 88/02/29 SP POWER AMPLIFIER "ESE" PL 1.725.270.00 PAGE 4

S T U D E R (05) 88/02/29 SP POWER AMPLIFIER "ESE" PL 1.725.270.00 PAGE 7

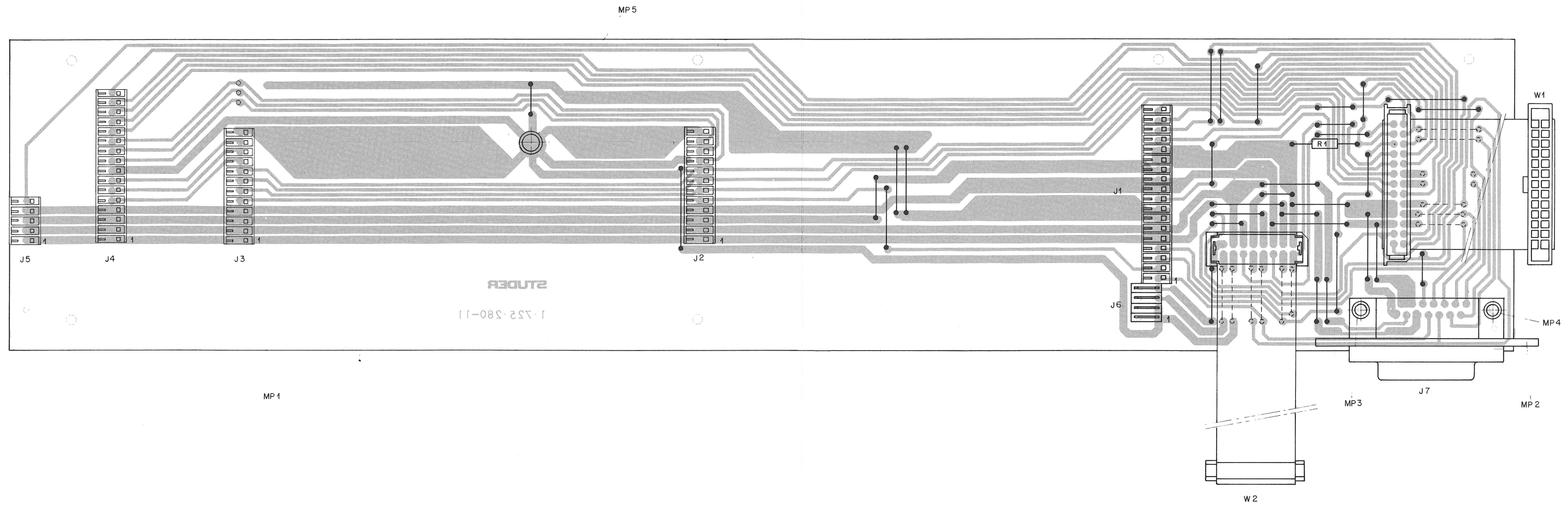
IND.	POS.NO.	PART NO.	VALUE	SPECIFICATIONS / EQUIVALENT	MANUF.
	R...023	57.11.4223	22 kOhm	2% ± 0.25W ± MF	
(00)	R...024	57.19.0101	100 Ohm	5% ± 0.25W ± MF	FUSIBLE RESISTOR
(03)	R...024	57.19.0121	120 Ohm	5% ± 0.25W ± MF	FUSIBLE RESISTOR
	R...025	57.19.0101	100 Ohm	5% ± 0.25W ± MF	FUSIBLE RESISTOR
	R...026	57.11.4223	22 kOhm	2% ± 0.25W ± MF	
(00)	R...028	57.19.0320	82 Ohm	5% ± 0.25W ± MF	FUSIBLE RESISTOR
(03)	R...028	57.19.0151	150 Ohm	5% ± 0.25W ± MF	FUSIBLE RESISTOR
(00)	R...029	57.11.4471	470 Ohm	2% ± 0.25W ± MF	
(04)	R...029	57.19.0221	220 Ohm	5% ± 0.25W ± MF	FUSIBLE RESISTOR
	R...030	57.11.1022	1 kOhm	2% ± 0.25W ± MF	
(04)	R...030	57.19.0471	470 Ohm	5% ± 0.25W ± MF	FUSIBLE RESISTOR
(00)	R...031	57.11.4471	470 Ohm	2% ± 0.25W ± MF	
(04)	R...031	57.19.0221	220 Ohm	5% ± 0.25W ± MF	FUSIBLE RESISTOR
(00)	R...032	57.11.4152	1.5 kOhm	2% ± 0.25W ± MF	
(04)	R...032	57.19.0681	680 Ohm	5% ± 0.25W ± MF	FUSIBLE RESISTOR
(00)	R...033	57.11.4152	1.5 kOhm	2% ± 0.25W ± MF	
(04)	R...033	57.19.0681	680 Ohm	5% ± 0.25W ± MF	FUSIBLE RESISTOR
	R...034	57.19.0101	100 Ohm	5% ± 0.25W ± MF	FUSIBLE RESISTOR
	R...035	57.19.0470	47 Ohm	5% ± 0.25W ± MF	FUSIBLE RESISTOR
	R...036	57.19.0101	100 Ohm	5% ± 0.25W ± MF	FUSIBLE RESISTOR
	R...037	57.11.4223	22 kOhm	2% ± 0.25W ± MF	
	R...038	57.19.0101	100 Ohm	5% ± 0.25W ± MF	FUSIBLE RESISTOR
	R...039	57.19.0109	1 Ohm	5% ± 0.25W ± MF	FUSIBLE RESISTOR
	R...040	57.19.0109	1 Ohm	5% ± 0.25W ± MF	FUSIBLE RESISTOR
	R...041	57.19.0109	1 Ohm	5% ± 0.25W ± MF	FUSIBLE RESISTOR
	R...042	57.19.0109	1 Ohm	5% ± 0.25W ± MF	FUSIBLE RESISTOR
	R...043	57.19.0109	1 Ohm	5% ± 0.25W ± MF	FUSIBLE RESISTOR
	R...044	57.19.0109	1 Ohm	5% ± 0.25W ± MF	FUSIBLE RESISTOR
	R...045	57.19.0109	1 Ohm	5% ± 0.25W ± MF	FUSIBLE RESISTOR
	R...046	57.19.0109	1 Ohm	5% ± 0.25W ± MF	FUSIBLE RESISTOR
	R...047	57.19.0109	1 Ohm	5% ± 0.25W ± MF	FUSIBLE RESISTOR
	R...048	57.19.0109	1 Ohm	5% ± 0.25W ± MF	FUSIBLE RESISTOR
	R...049	57.19.0109	1 Ohm	5% ± 0.25W ± MF	FUSIBLE RESISTOR
	R...050	57.19.0109	1 Ohm	5% ± 0.25W ± MF	FUSIBLE RESISTOR
	R...051	57.19.0109	1 Ohm	5% ± 0.25W ± MF	FUSIBLE RESISTOR
	R...052	57.19.0109	1 Ohm	5% ± 0.25W ± MF	FUSIBLE RESISTOR
	R...053	57.19.0109	1 Ohm	5% ± 0.25W ± MF	FUSIBLE RESISTOR

S T U D E R (05) 88/02/29 SP POWER AMPLIFIER "ESE" PL 1.725.270.00 PAGE 5

IND.	POS.NO.	PART NO.	VALUE	SPECIFICATIONS / EQUIVALENT	MANUF.
	R...054	57.19.0109	1 Ohm	5% ± 0.25W ± MF	FUSIBLE RESISTOR
	R...055	57.19.0109	1 Ohm	5% ± 0.25W ± MF	FUSIBLE RESISTOR
	R...056	57.19.0109	1 Ohm	5% ± 0.25W ± MF	FUSIBLE RESISTOR
	R...057	57.19.0109	1 Ohm	5% ± 0.25W ± MF	FUSIBLE RESISTOR
	R...058	57.19.0109	1 Ohm	5% ± 0.25W ± MF	FUSIBLE RESISTOR
	R...059	57.19.0109	1 Ohm	5% ± 0.25W ± MF	FUSIBLE RESISTOR
	R...060	57.19.0109	1 Ohm	5% ± 0.25W ± MF	FUSIBLE RESISTOR
	R...061	57.19.0109	1 Ohm	5% ± 0.25W ± MF	FUSIBLE RESISTOR
	R...062	57.19.0109	1 Ohm	5% ± 0.25W ± MF	FUSIBLE RESISTOR
	R...063	57.56.5100	10 Ohm	10% ± 4 W	
	R...064	57.56.5100	10 Ohm	10% ± 4 W	
	R...065	57.19.0101	100 Ohm	5% ± 0.25W ± MF	FUSIBLE RESISTOR
	R...066	57.11.4332	3.3 kOhm	2% ± 0.25W ± MF	
	R...067	57.11.4622	6.2 kOhm	2% ± 0.25W ± MF	
	R...068	57.11.4392	3.9 kOhm	2% ± 0.25W ± MF	
	R...069	57.19.0101	100 Ohm	5% ± 0.25W ± MF	FUSIBLE RESISTOR
	R...070	57.11.4332	3.3 kOhm	2% ± 0.25W ± MF	
	R...071	57.11.4622	6.2 kOhm	2% ± 0.25W ± MF	
	R...072	57.11.4392	3.9 kOhm	2% ± 0.25W ± MF	
	R...073	57.11.4473	47 kOhm	2% ± 0.25W ± MF	
	R...074	57.11.4103	10 kOhm	2% ± 0.25W ± MF	
	R...075	57.11.4223	22 kOhm	2% ± 0.25W ± MF	
	R...076	57.11.4103	10 kOhm	2% ± 0.25W ± MF	
	R...077	57.19.0102	1 kOhm	5% ± 0.25W ± MF	FUSIBLE RESISTOR
	R...078	57.19.0101	100 Ohm	5% ± 0.25W ± MF	FUSIBLE RESISTOR
	R...079	57.11.4473	47 kOhm	2% ± 0.25W ± MF	
	R...080	57.11.4103	10 kOhm	2% ± 0.25W ± MF	
	R...081	57.11.4223	22 kOhm	2% ± 0.25W ± MF	
	R...082	57.11.4103	10 kOhm	2% ± 0.25W ± MF	
	R...083	57.19.0102	1 kOhm	5% ± 0.25W ± MF	FUSIBLE RESISTOR
	R...084	57.19.0101	100 Ohm	5% ± 0.25W ± MF	FUSIBLE RESISTOR
	R...085	57.92.2221	10 Ohm	220mA, 256 V ± PTC	
	R...086	57.92.2221	10 Ohm	220mA, 256 V ± PTC	
	R...087	57.11.4153	15 kOhm	2% ± 0.25W ± MF	
	R...088	57.11.4153	15 kOhm	2% ± 0.25W ± MF	
	R...089	57.11.4153	15 kOhm	2% ± 0.25W ± MF	
	R...090	57.11.4153	15 kOhm	2% ± 0.25W ± MF	

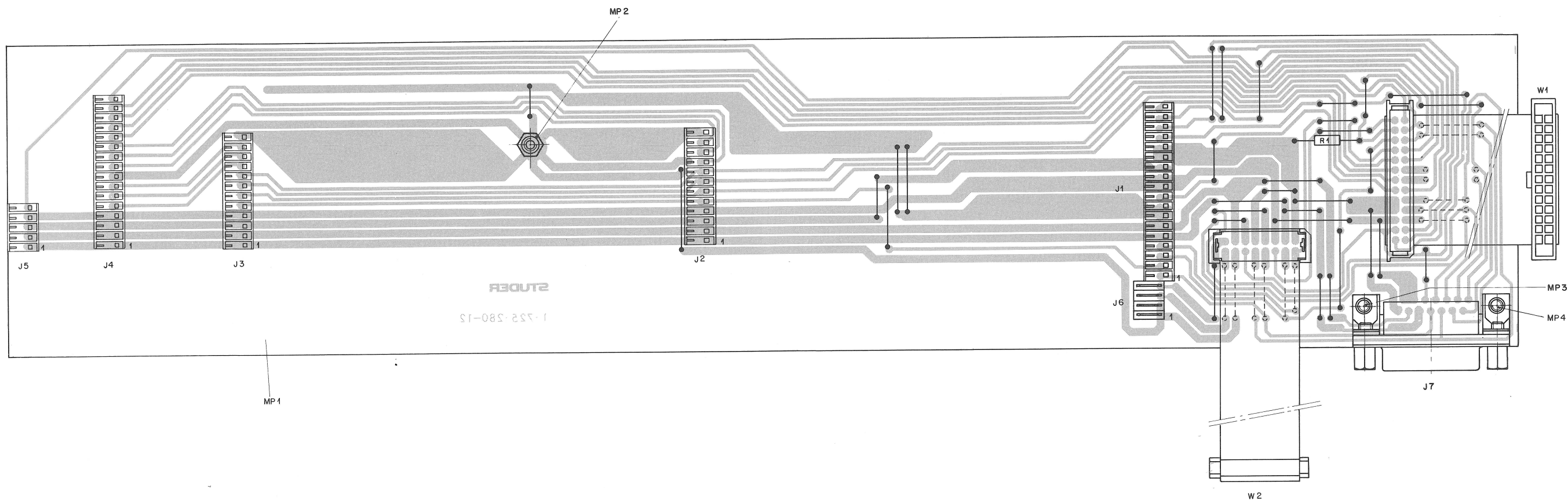
S T U D E R (05) 88/02/29 SP POWER AMPLIFIER "ESE" PL 1.725.270.00 PAGE 6

INTERCONNECTION PCB 1.725.280.00 B250 (-S)



IND.	POS. NO.	PART NO.	VALUE	SPECIFICATIONS / EQUIVALENT	MANUF.
J.....1		54.01.0296	18-POLE	C15 SOCKET-STRIP	
J.....2		54.01.0215	12-POLE	C15 SOCKET-STRIP	
J.....3		54.01.0215	12-POLE	C15 SOCKET-STRIP	
J.....4		54.01.0294	16-POLE	C15 SOCKET-STRIP	
J.....5		54.01.0288	5-POLE	C15 SOCKET-STRIP	
J.....6		54.01.0298	4-POLE	C15 SOCKET-STRIP	
J.....7		54.13.0002	15-POLE	Connector D-Type Female	
NP.....1		1.725.280.11		INTERCONNECTION PCB	
MP.....2		1.725.280.01		Holder For D-Type Connector	
MP.....3		28.21.2409		Tubular Rivet	
MP.....4		28.21.2409		Tubular Rivet	
MP.....5		28.21.2505		Tubular Rivet	
R.....1		57.11.4103	10 Kohm	2%, 0.25W, MF	
W.....1		1.023.312.02	26-POLE	Flat Cable	
W.....2		1.023.311.04	16-POLE	Flat Cable	

INTERCONNECTION PCB 1.725.280.00 B250 (-S)

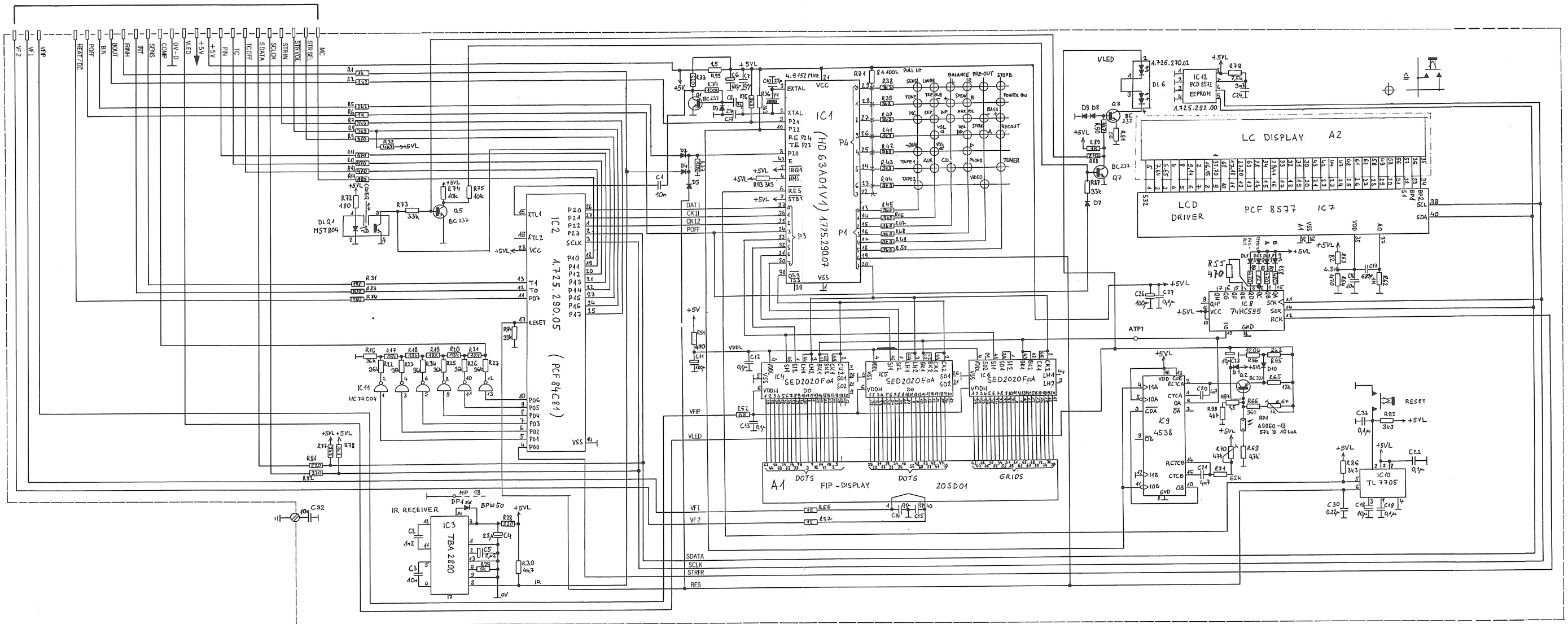


IND.	POS.NO.	PART NO.	VALUE	SPECIFICATIONS / EQUIVALENT	MANUF.
J....1		54.01.0296	18-POLE	CIS SOCKET-STRIP	
J....2		54.01.0215	12-POLE	CIS SOCKET-STRIP	
J....3		54.01.0215	12-POLE	CIS SOCKET-STRIP	
J....4		54.01.0294	16-POLE	CIS SOCKET-STRIP	
J....5		54.01.0288	5-POLE	CIS SOCKET-STRIP	
J....6		54.01.0298	4-POLE	CIS SOCKET-STRIP	
J....7		54.99.0205	15-POLE	Connector D-Type Female	
MP...1		1.725.280.12		INTERCONNECTION PCB	
MP...2		1.010.013.22		Nut M3	
MP...3		21.38.0355		Screw M3 * 8	
MP...4		21.38.0355		Screw M3 * 8	
R....1		57.11.4103	10 Kohm	2X, 0.25W, MF	
W....1		1.023.312.02	26-POLE	Flat Cable	
W....2		1.023.311.04	16-POLE	Flat Cable	

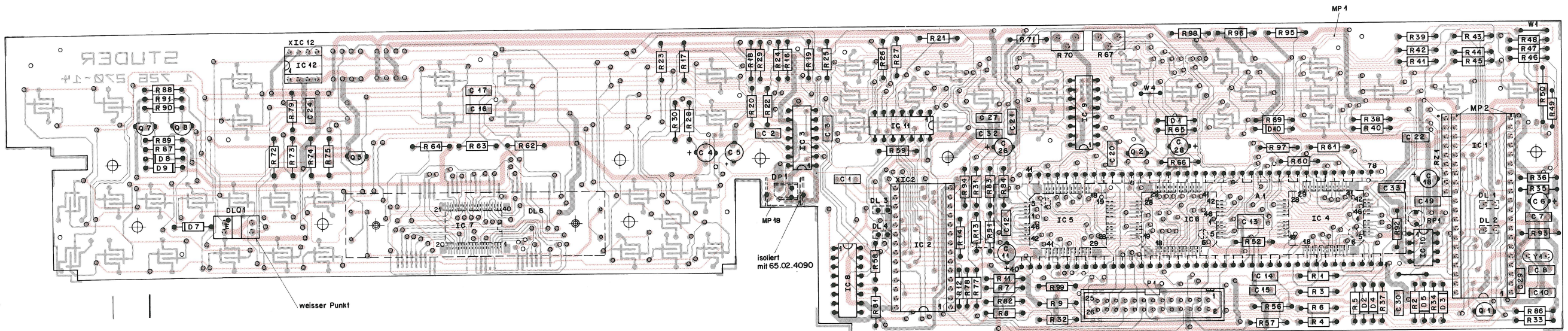


MICROCOMPUTER PCB 1.725.290.82 B250 (-S)

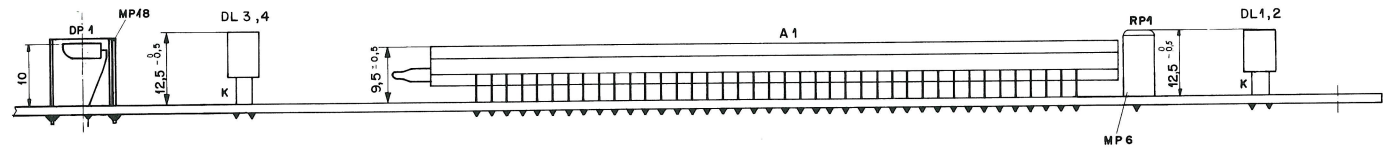
SEE MAINS SECTION



MICROCOMPUTER PCB 1.725.290.82 B250 (-S)



IND.	POS.-NO.	PART NO.	VALUE	SPECIFICATIONS / EQUIVALENT	MANUF.
A.....1	73-01-0202	FIP	20SD01	20 Digit Display	NEC-FU
C.....1	59-06-0103	10 nF	10% 63V	PETP	
C.....2	59-32-2122	1,2 nF	10% 20V	CER	
C.....3	59-06-0103	10 nF	10% 63V	PETP	
C.....4	59-22-5220	22 uF	-20% 25V	EL	
C.....5	59-22-8229	22 uF	-20% 25V	EL	
C.....6	59-22-3101	100 uF	-20% 10V	EL	
C.....7	59-06-0104	100 nF	10% 63V	PETP	
C.....8	59-34-2220	22 pF	10% 40V	CER	
C.....10	59-34-2220	22 pF	10% 40V	CER	
C.....11	59-22-3101	100 uF	-20% 10V	EL	
C.....12	59-06-0104	100 nF	10% 63V	PETP	
C.....13	59-06-0104	100 nF	10% 63V	PETP	
C.....14	59-06-0104	100 nF	10% 63V	PETP	
C.....15	59-06-0104	100 nF	10% 63V	PETP	
C.....16	59-06-0103	10 nF	10% 63V	PETP	
C.....17	59-32-2681	680 pF	10% 40V	CER	
C.....18	59-22-6100	10 uF	-20% 10V	EL	
C.....19	59-06-0104	100 nF	10% 63V	PETP	
C.....20	59-06-0472	4,7 nF	10% 63V	PETP	
C.....21	59-06-0472	4,7 nF	10% 63V	PETP	
C.....22	59-06-0104	100 nF	10% 63V	PETP	
C.....24	59-06-0332	3,3 nF	10% 63V	PETP	
C.....26	59-22-3101	100 uF	-20% 63V	EL	
C.....27	59-06-0104	100 nF	10% 63V	PETP	
C.....28	59-22-6100	10 uF	-20% 25V	EL	
C.....29	59-34-2220	22 pF	10% 40V	CER	
C.....30	59-06-0274	220 nF	10% 63V	PETP	
C.....32	59-06-0103	10 nF	10% 63V	PETP	
C.....33	59-06-0104	100 nF	10% 63V	PETP	
D.....1	50-04-0125	IN 4448			Any
D.....2	50-04-0125	IN 4448			Any
D.....3	50-04-0125	IN 4448			Any
D.....4	50-04-0125	IN 4448			Any
D.....5	50-04-0125	IN 4448			Any



STUDER (01) 88/02/29 SI MICROCOMPUTER BOARD "ESE" PL 1.725.290.82 PAGE 1

IND.	POS.-NO.	PART NO.	VALUE	SPECIFICATIONS / EQUIVALENT	MANUF.
D.....7	50-04-0125	IN 4448			Any
D.....8	50-04-0125	IN 4448			Any
D.....9	50-04-0125	IN 4448			Any
D.....10	50-04-0125	IN 4448			Any
DL.....1	50-34-2702	LED	yellow SPY5551 REC / MV53123		STA/GI
DL.....2	50-04-2701	LED	red SPY5551 REC / MV53123		STA/GI
DL.....3	50-34-2702	LED	yellow SPY5551 REC / MV53123		STA/GI
DL.....4	50-04-2702	LED	yellow SPY5551 REC / MV53123		STA/GI
DL.....6	1.726.270-02	LED	Diffuser for LCD		STU
DLJ.....1	50-04-3001	HST 804	Slotted Optical Switch/IST5804		
DP.....1	50-04-2136	BPW 50			PH
IC.....1	1.725.290.08	uP	I/O Processor B250		STU
IC.....2	1.725.295.05	uP	Micro controller PCF84C80 CMOS		STU
IC.....3	50-11-0121	T0A2800	IR Detector		ITT
IC.....4	50-52-0001	SED2020	FOA FIP-Driver		SE
IC.....5	50-52-0001	SED2020	FOA FIP-Driver		SE
IC.....6	50-52-0001	SED2020	FOA FIP-Driver		SE
IC.....7	50-16-0116	PEF5577	LCD-Driver		PH
IC.....8	50-17-1595	74HC595	8Bit Shift reg. with output latch		DIV
IC.....9	50-07-1538	4538	Dual Monoflop CMOS		PH,NDT
IC.....10	50-11-0122	TL7705	Reset Generator		TI
IC.....11	50-17-1004	74HC04	Hex Inverter		DIV
IC.....12	50-14-0152	PCDB572	1 kbit EPROM SNOS Unprogrammed		STU
MP.....1	1.726.270.14	1 PCS	MICROCOMPUTER PCB CARBON		STU
MP.....2	53-03-0228	40 PCS	IC Socket Pins		STU
MP.....6	1.726.270-03	1 PCS	Tube		STU
MP.....18	1.726.270-09	1 PCS	IR-Reflektor		STU
P.....1	54-14-2003	26 Pin	Connector for Ribbon-Cable		
Q.....1	50-03-0436	BC237	NPN Small signal		Any
Q.....2	50-03-0515	BC307	PNP Small signal		Any

STUDER (01) 88/02/29 SI MICROCOMPUTER BOARD "ESE" PL 1.725.290.82 PAGE 2

IND.	POS.-NO.	PART NO.	VALUE	SPECIFICATIONS / EQUIVALENT	MANUF.
Q.....5	50-03-0436	BC237	NPN Small signal		Any
Q.....7	50-03-0436	BC237	NPN Small signal		Any
Q.....8	50-03-0436	BC237	NPN Small signal		Any
R.....1	57-11-4102	1 K	2% 0,25W	MF	
R.....2	57-11-4222	2,2 K	2% 0,25W	MF	
R.....3	57-11-4332	3,3 K	2% 0,25W	MF	
R.....4	57-11-4332	3,3 K	2% 0,25W	MF	
R.....5	57-11-4222	2,2 K	2% 0,25W	MF	
R.....6	57-11-4102	1 K	2% 0,25W	MF	
R.....7	57-11-4332	3,3 K	2% 0,25W	MF	
R.....8	57-11-4332	3,3 K	2% 0,25W	MF	
R.....9	57-11-4471	470	2% 0,25W	MF	
R.....11	57-11-4471	470	2% 0,25W	MF	
R.....12	57-11-4471	470	2% 0,25W	MF	
R.....13	57-11-4471	470	2% 0,25W	MF	
R.....14	57-11-4181	180	2% 0,25W	MF	
R.....16	57-11-3363	36 K	1% 0,25W	MF	
R.....17	57-11-3183	18 K	1% 0,25W	MF	
R.....18	57-11-3183	18 K	1% 0,25W	MF	
R.....19	57-11-3183	18 K	1% 0,25W	MF	
R.....20	57-11-3183	18 K	1% 0,25W	MF	
R.....21	57-11-3183	18 K	1% 0,25W	MF	
R.....22	57-11-3363	36 K	1% 0,25W	MF	
R.....23	57-11-3363	36 K	1% 0,25W	MF	
R.....24	57-11-3363	36 K	1% 0,25W	MF	
R.....25	57-11-3363	36 K	1% 0,25W	MF	
R.....26	57-11-3363	36 K	1% 0,25W	MF	
R.....27	57-11-3363	36 K	1% 0,25W	MF	
R.....28	57-11-4221	220	2% 0,25W	MF	
R.....29	57-11-4102	1 K	2% 0,25W	MF	
R.....30	57-11-4472	4,7 K	2% 0,25W	MF	
R.....31	57-11-4181	180	2% 0,25W	MF	
R.....32	57-11-4472	4,7 K	2% 0,25W	MF	
R.....33	57-11-4821	820	2% 0,25W	MF	
R.....34	57-11-4104	100 K	2% 0,25W	MF	
R.....35	57-11-4332	3,3 K	2% 0,25W	MF	

STUDER (01) 88/02/29 SI MICROCOMPUTER BOARD "ESE" PL 1.725.290.82 PAGE 3

IND.	POS.-NO.	PART NO.	VALUE	SPECIFICATIONS / EQUIVALENT	MANUF.
R.....36	57-11-4332	3,3 K	2% 0,25W	MF	
R.....37	57-11-4103	10 K	2% 0,25W	MF	
R.....38	57-11-4332	3,3 K	2% 0,25W	MF	
R.....39	57-11-4332	3,3 K	2% 0,25W	MF	
R.....40	57-11-4332	3,3 K	2% 0,25W	MF	
R.....41	57-11-4332	3,3 K	2% 0,25W	MF	
R.....42	57-11-4332	3,3 K	2% 0,25W	MF	
R.....43	57-11-4332	3,3 K	2% 0,25W	MF	
R.....44	57-11-4332	3,3 K	2% 0,25W	MF	
R.....45	57-11-4332	3,3 K	2% 0,25W	MF	
R.....46	57-11-4332	3,3 K	2% 0,25W	MF	
R.....47	57-11-4332	3,3 K	2% 0,25W	MF	
R.....48	57-11-4332	3,3 K	2% 0,25W	MF	
R.....49	57-11-4332	3,3 K	2% 0,25W	MF	
R.....50	57-11-4332	3,3 K	2% 0,25W	MF	
R.....51	57-11-4471	470	2% 0,25W	MF	
R.....52	57-11-4680	68	2% 0,25W	MF	
R.....56	57-11-4150	15	2% 0,25W	MF	
R.....57	57-11-4150	15	2% 0,25W	MF	
R.....58	57-11-4471	470	2% 0,25W	MF	
R.....59	57-11-4471	470	2% 0,25W	MF	
R.....60	57-11-4820	82	2% 0,25W	MF	
R.....61	57-11-4471	470	2% 0,25W	MF	
R.....62	57-11-4105	1 M	2% 0,25W	MF	
R.....63	57-11-4820	82	2% 0,25W	MF	
R.....64	57-11-4471	470	2% 0,25W	MF	
R.....65	57-11-4123	12 K	2% 0,25W	MF	
R.....66	57-11-3361	360	2% 0,25W	MF	
R.....67	58-02-4102	1 K	20% 0,1 W	Trimm-Pot.	
R.....69	57-11-4472	4,7 K	2% 0,25W	MF	
R.....70	58-02-4473	47 K	20% 0,1 W	Trimm-Pot.	
R.....71	57-11-3623	62 K	1% 0,25W	MF	
R.....72	57-11-4181	180	2% 0,25W	MF	
R.....73	57-11-4333	33 K	2% 0,25W	MF	
R.....74	57-11-4103	10 K	2% 0,25W	MF	
R.....75	57-11-4103	10 K	2% 0,25W	MF	
R.....77	57-11-4332	3,3 K	2% 0,25W	MF	

STUDER (01) 88/02/29 SI MICROCOMPUTER BOARD "ESE" PL 1.725.290.82 PAGE 4

IND.	POS.-NO.	PART NO.	VALUE	SPECIFICATIONS / EQUIVALENT	MANUF.
R.....78	57-11-4332	3,3 K	2% 0,25W	MF	
R.....79	57-11-3752	7,5 K	2% 0,25W	MF	
R.....81	57-11-4221	220	2% 0,25W	MF	
R.....82	57-11-4221	220	2% 0,25W	MF	
R.....83	57-11-4821	820	2% 0,25W	MF	
R.....84	57-11-4181	180	2% 0,25W	MF	
R.....86	57-11-4332	3,3 K	2% 0,25W	MF	
R.....87	57-11-4333	33 K	2% 0,25W	MF	
R.....88	57-11-5225	2,2 M	5% 0,25W	MF	
R.....89	57-11-4102	1 K	2% 0,25W	MF	
R.....90	57-11-4472	4,7 K	2% 0,25W	MF	
R.....91	57-11-4560	56	2% 0,25W	MF	
R.....92	57-11-4332	3,3 K	2% 0,25W	MF	
R.....93	57-11-4332	3,3 K	2% 0,25W	MF	
R.....94	57-11-4333	33 K	2% 0,25W	MF	
R.....95	57-11-4222	2,2 K	2% 0,25W	MF	
R.....96	57-11-4124	120 K	2% 0,25W	MF	
R.....97	57-11-4159	1,5	2% 0,25W	MF	
R.....98	57-11-4563	56 K	2% 0,25W	MF	
R.....99	57-11-4159	1,5	2% 0,25W	MF	
RP.....1	57-99-0255	LDR	57K a10 Lux, 7K a100 Lux A9060 13		Hei
RZ.....1	57-88-4104	8*100K	Resistor array		
W.....1	1.010.323-64	7,5mm	Wire 0,6 mm diam.		
W.....4	1.010.321-64	5 mm	Wire 0,6 mm diam.		
XIC.....2	53-03-0173	28 Pin	IC-Socket		
XIC.....12	53-03-0166	8 Pin	IC-Socket		
Y.....1	89-01-0553	SRX28595	4-9152MHz 100ppm/Gr-C/D18/NMP049		Ny/SaR