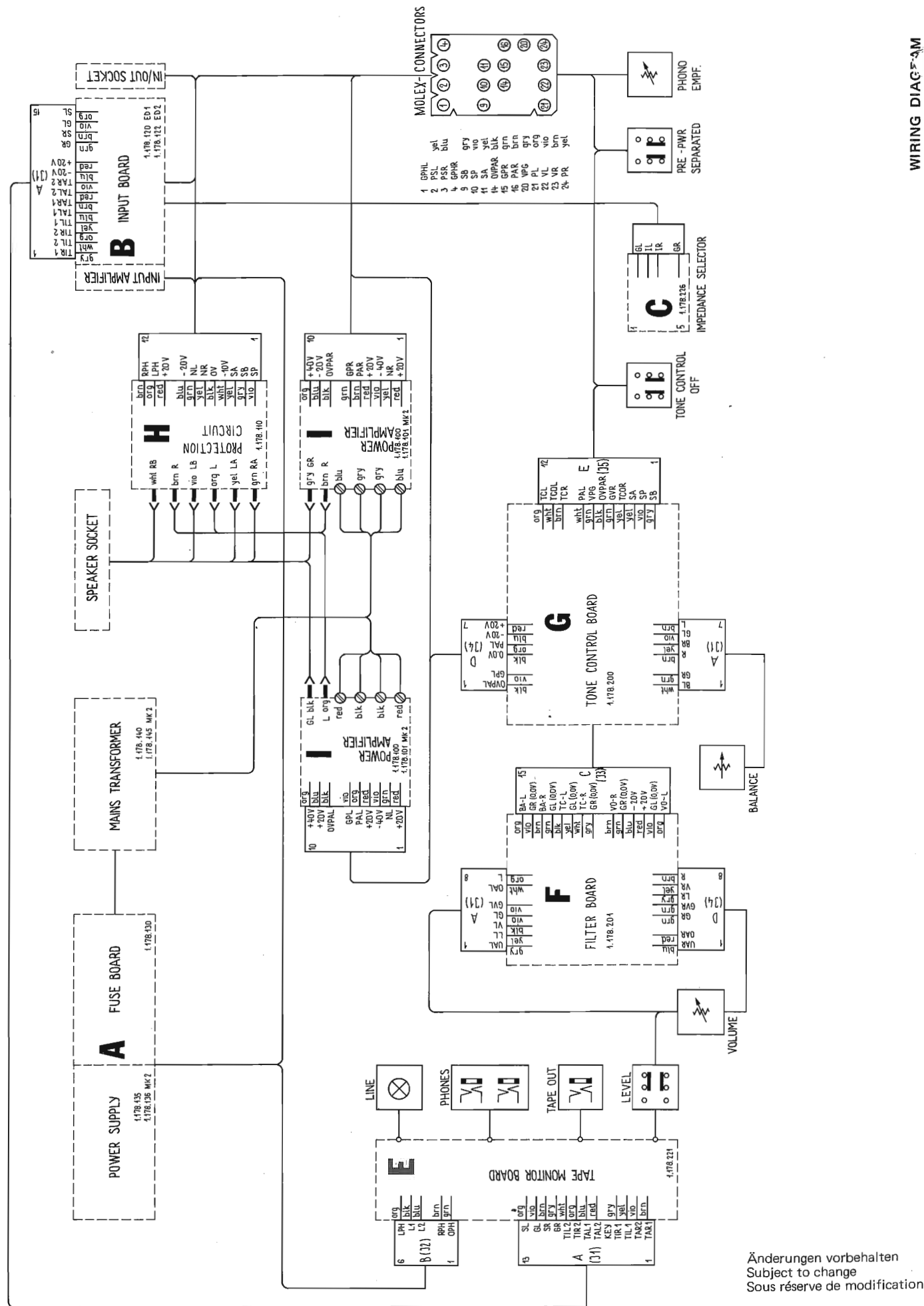


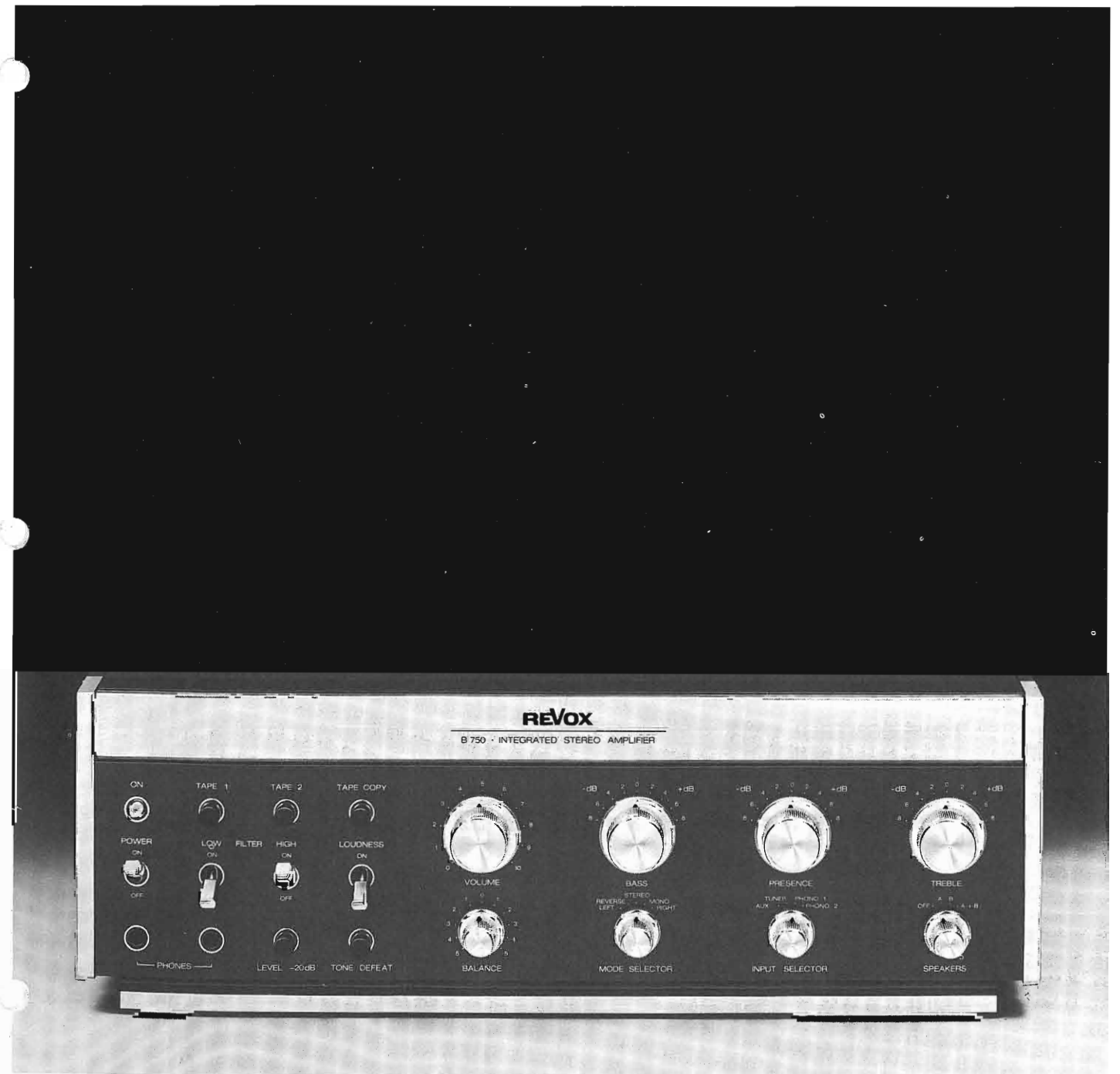
# B750

SCHALTUNGSSAMMLUNG SET OF SCHEMATICS  
RECUEIL DE SCHÉMAS



Änderungen vorbehalten  
Subject to change  
Sous réserve de modification

18,223.1078 MK I/MK II  
Printed in Switzerland  
Copyright by Willi Studer  
CH-8105 Regensdorf-Zurich



**DIAGRAMS LIST**

**POWER SUPPLY UNIT MK I**

POWER SUPPLY	A	1.178.135
FUSE BOARD		1.178.130
MAINS TRANSFORMER		1.178.140

**POWER SUPPLY UNIT MK II**

POWER SUPPLY	A	1.178.136
FUSE BOARD		1.178.130
MAINS TRANSFORMER		1.178.145

**INPUT UNIT ED1**

INPUT AMPLIFIER	B	1.178.115
INPUT BOARD		1.178.120
IMPEDANCE BOARD	C	1.178.226

**INPUT UNIT ED2**

INPUT AMPLIFIER	B	1.178.117
INPUT BOARD		1.178.122
IMPEDANCE BOARD	C	1.178.226

**PHONO AMPLIFIER**

D	1.178.125
---	-----------

**B750 BLOCK DIAGRAM ED1/ED2**

**FILTER AND BALANCE AMPLIFIER UNIT**

F	1.178.201
FILTER BOARD	1.178.206
FILTER AMPLIFIER	1.178.210
BALANCE AMPLIFIER	1.178.210
TONE CONTROL BOARD	1.178.200

**TONE CONTROL UNIT**

G	1.178.200
TONE CONTROL BOARD	1.178.216

**TAPE MONITOR BOARD**

E	1.178.221
---	-----------

**PROTECTION CIRCUIT**

H	1.178.110
---	-----------

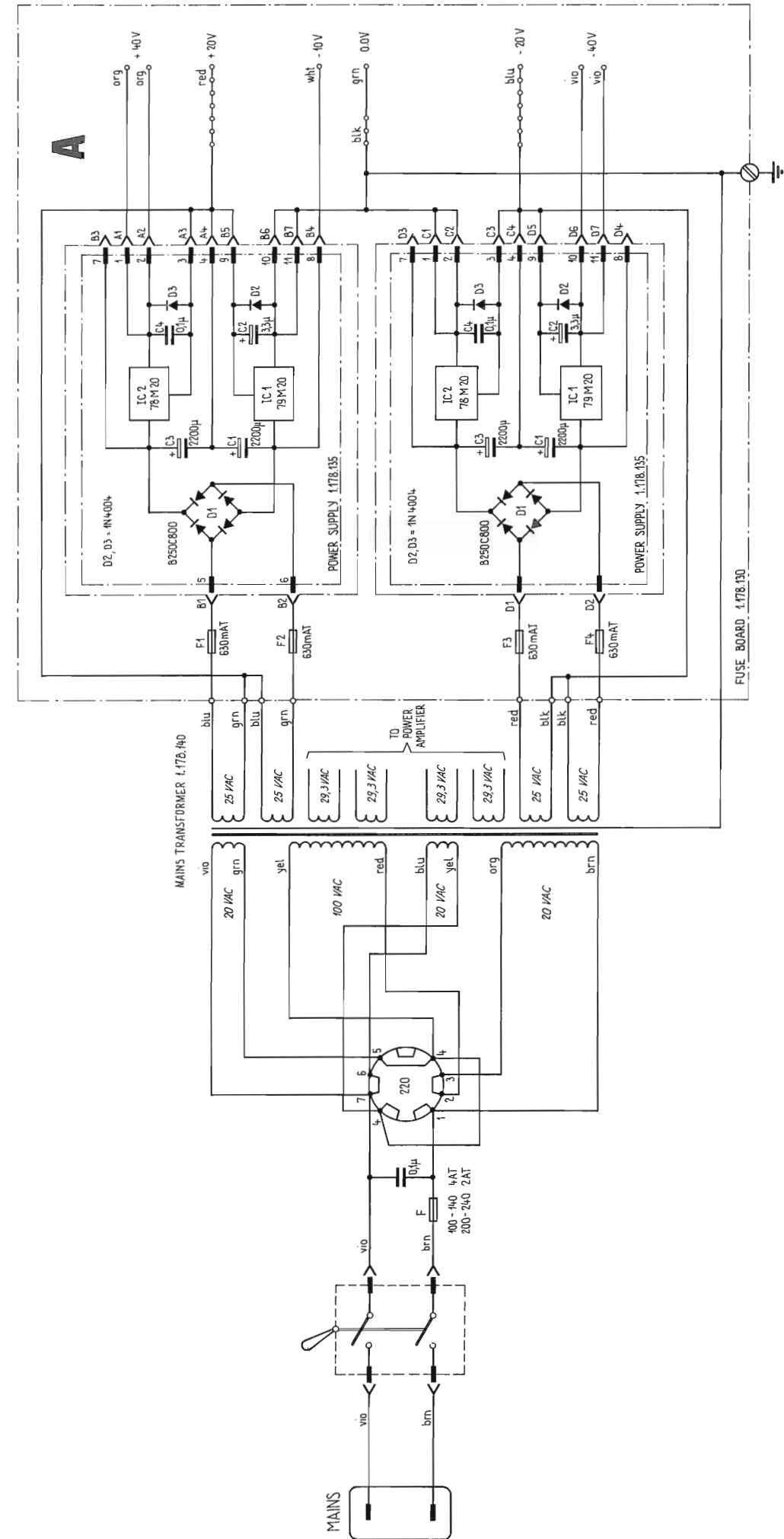
**POWER AMPLIFIER UNIT MK I**

I	1.178.100
POWER AMPLIFIER MK I	1.178.105

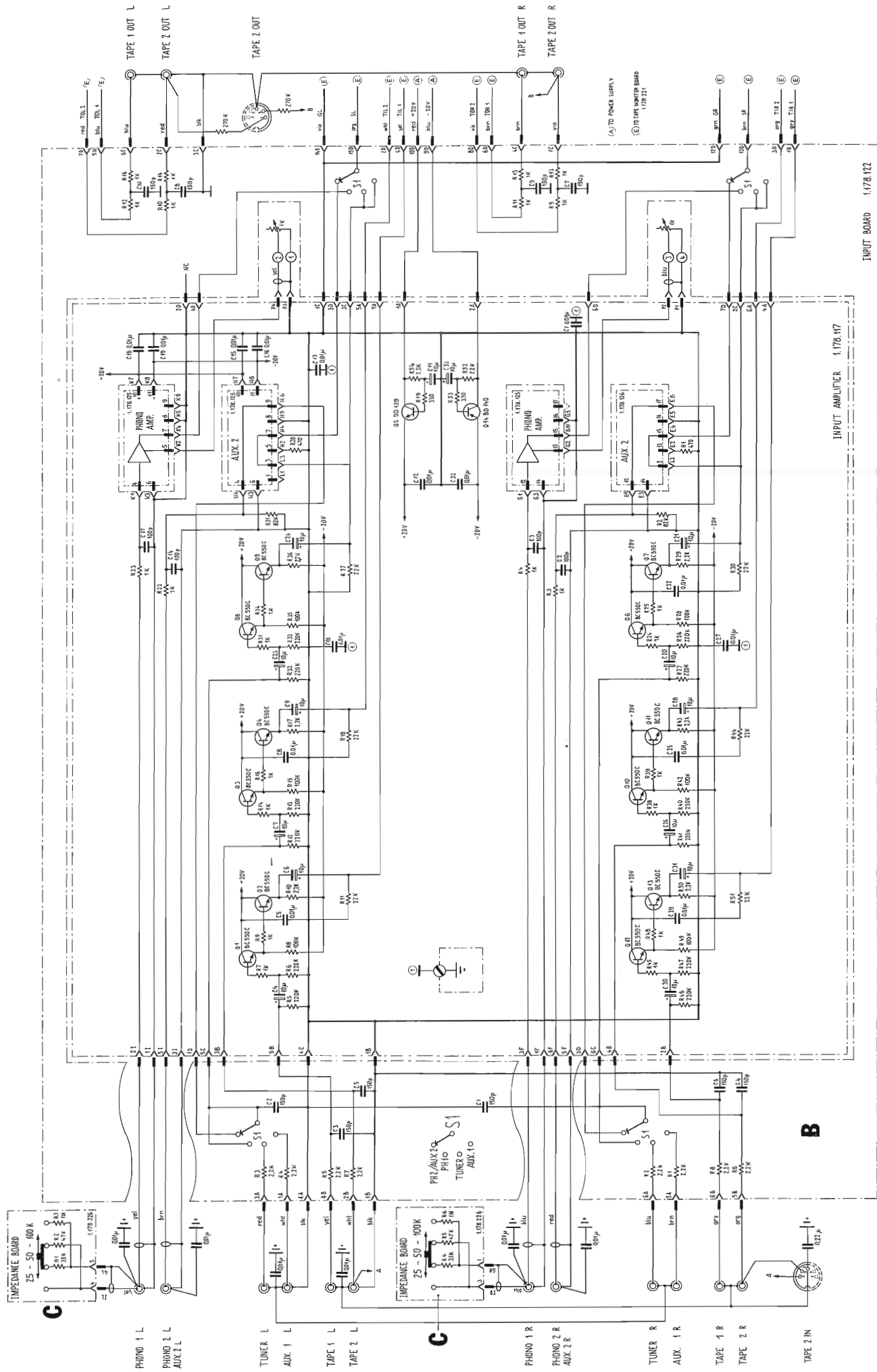
**POWER AMPLIFIER UNIT MK II**

I	1.178.101
POWER AMPLIFIER MK II	1.178.106

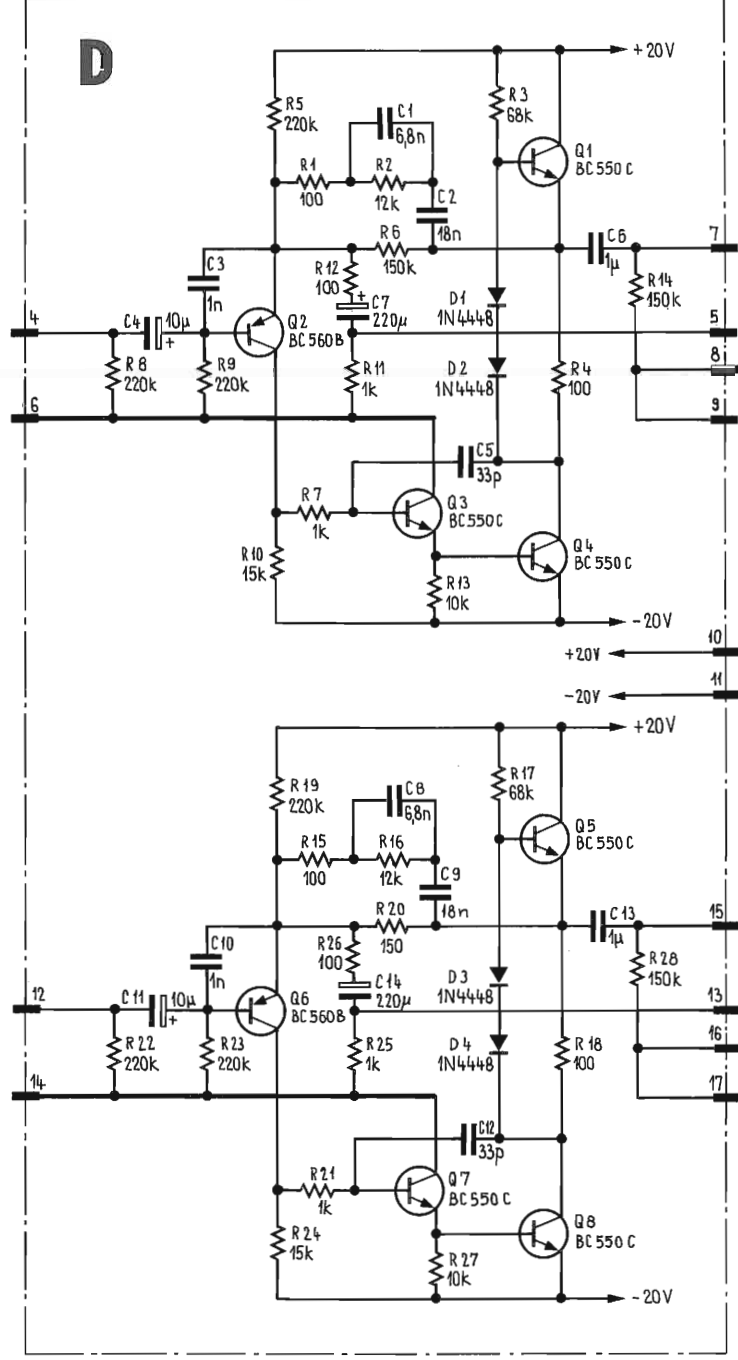
**WIRING DIAGRAM**

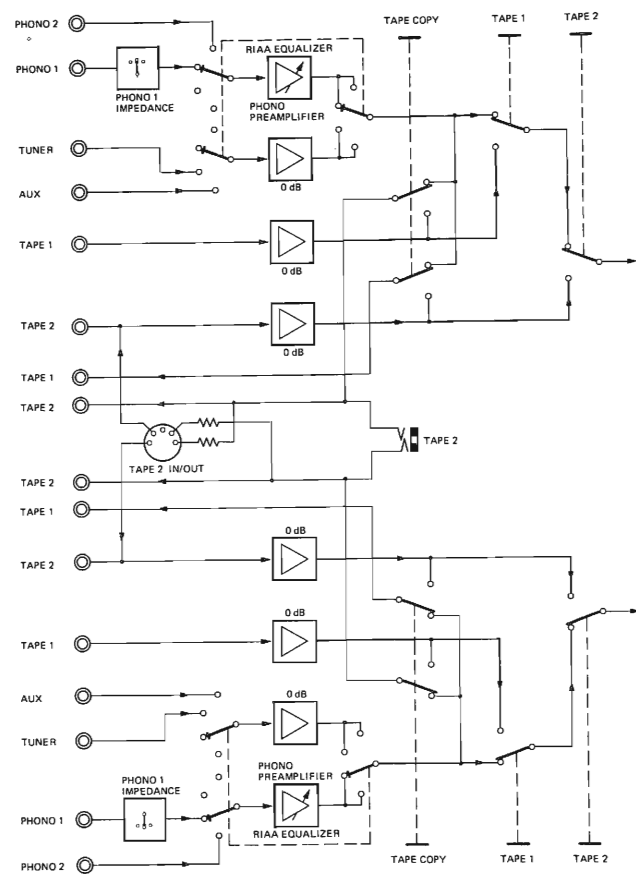




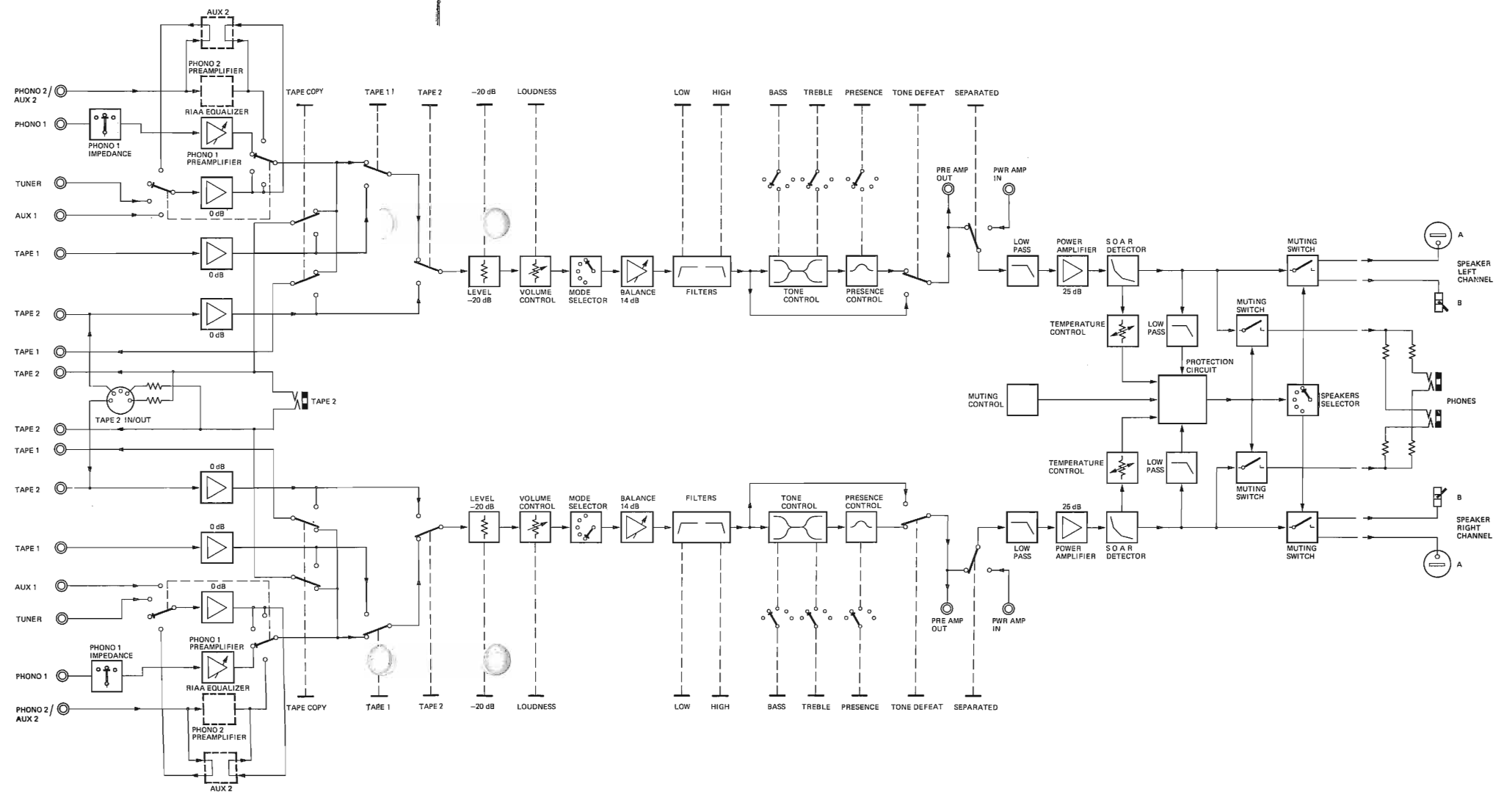


INPUT UNIT 2



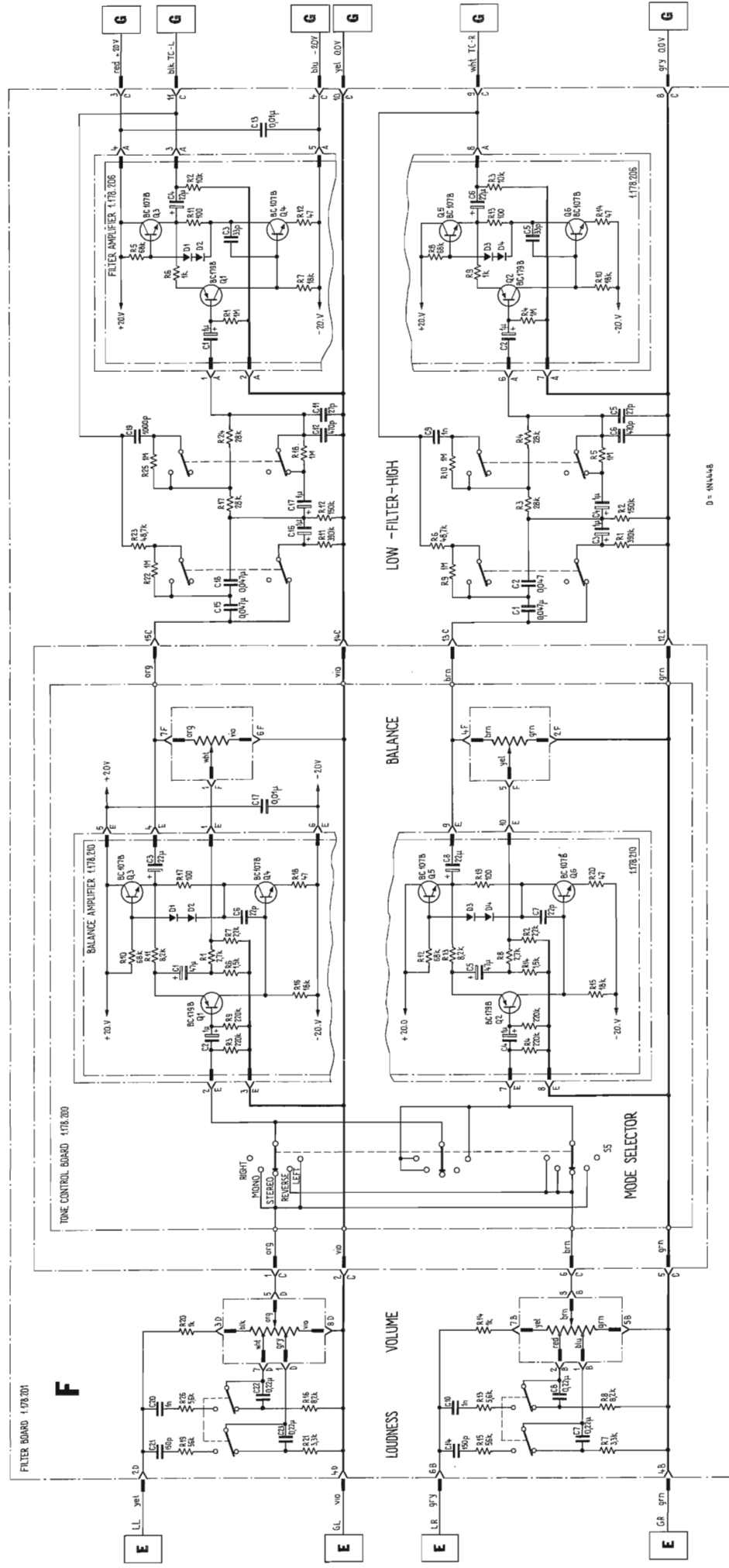


ED 1

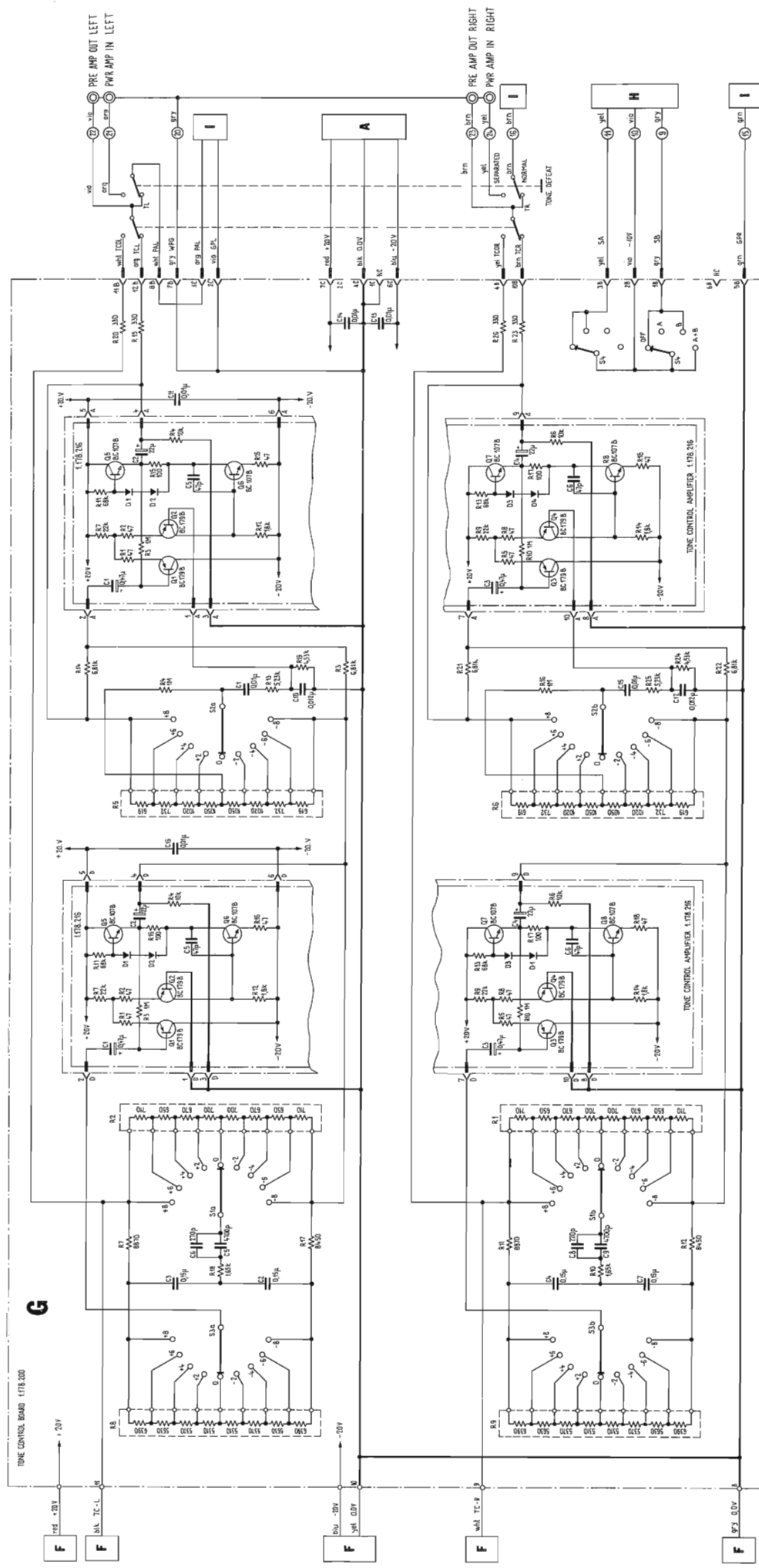


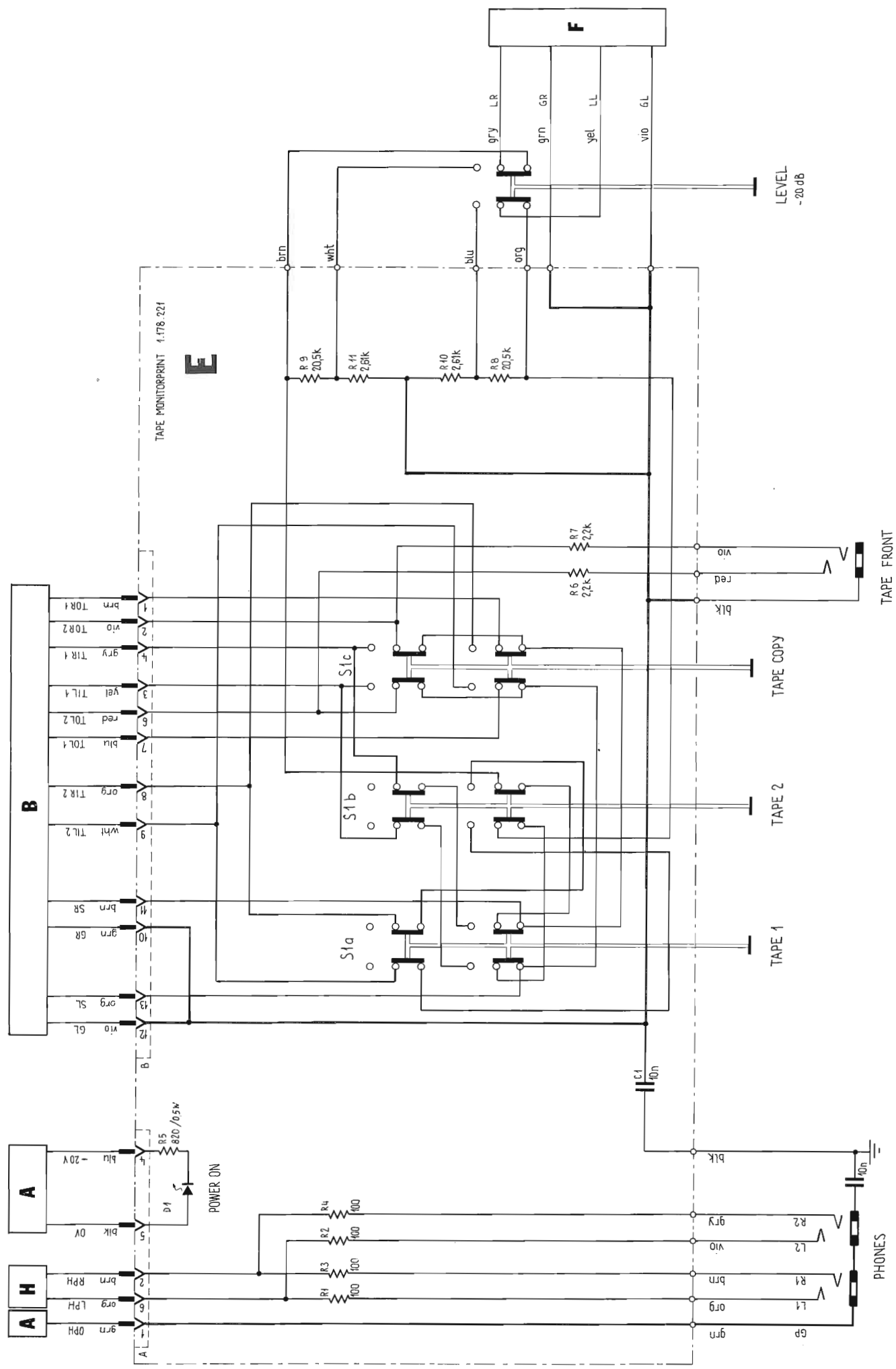
ED 2

B 750 BLOCK DIAGRAM

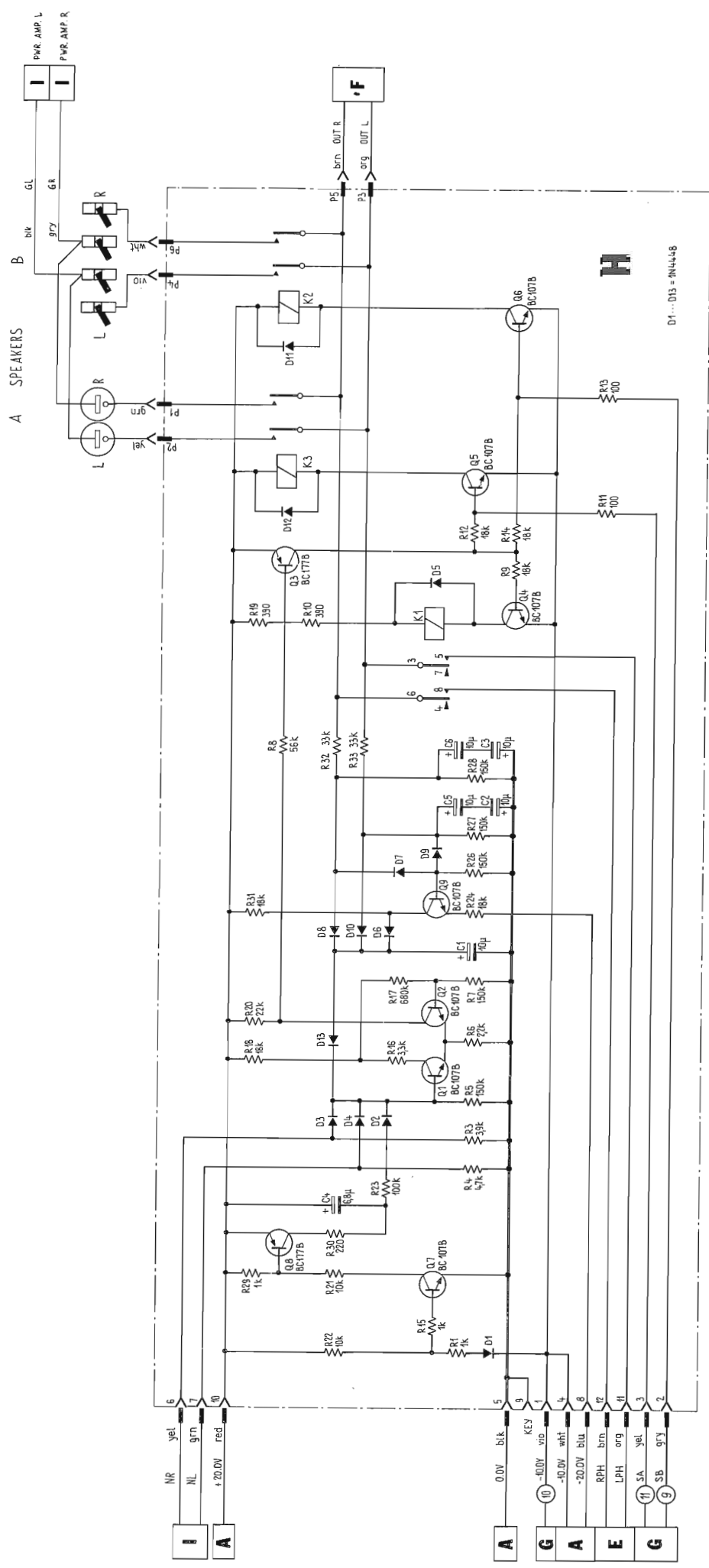


FILTER AND BALANCE AMPLIFIER

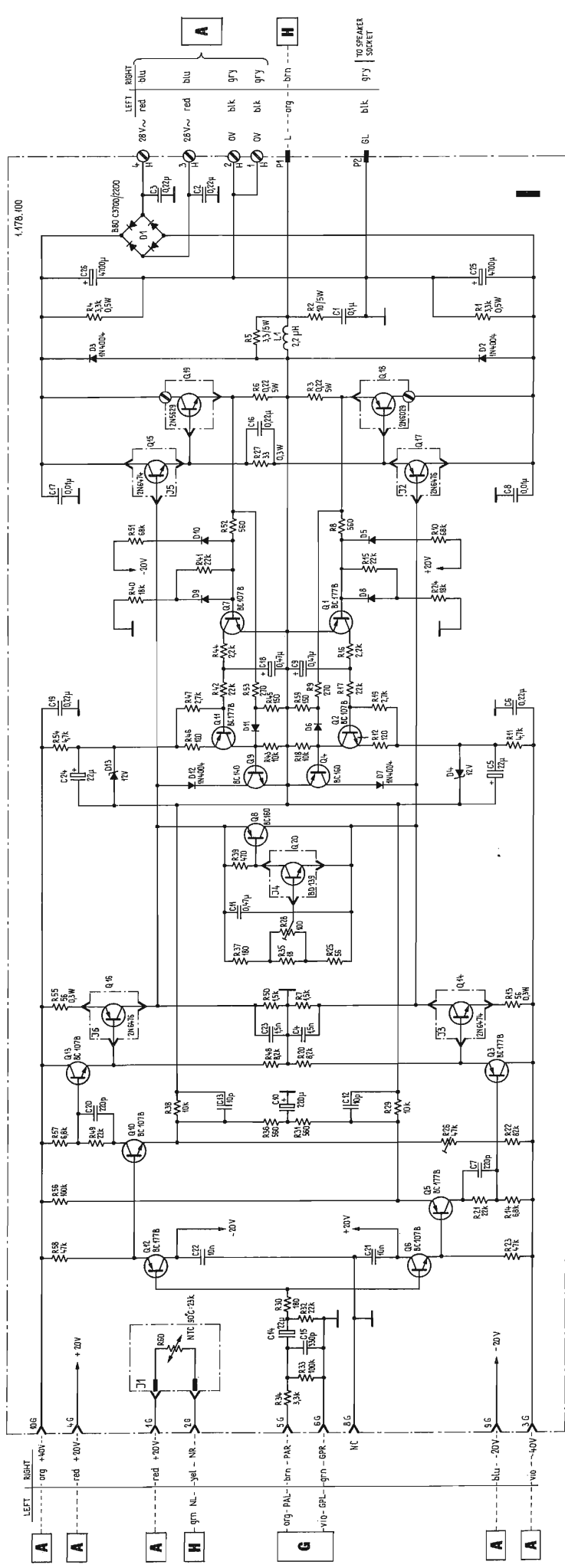




TAPE MONITOR BOARD 1.178.221

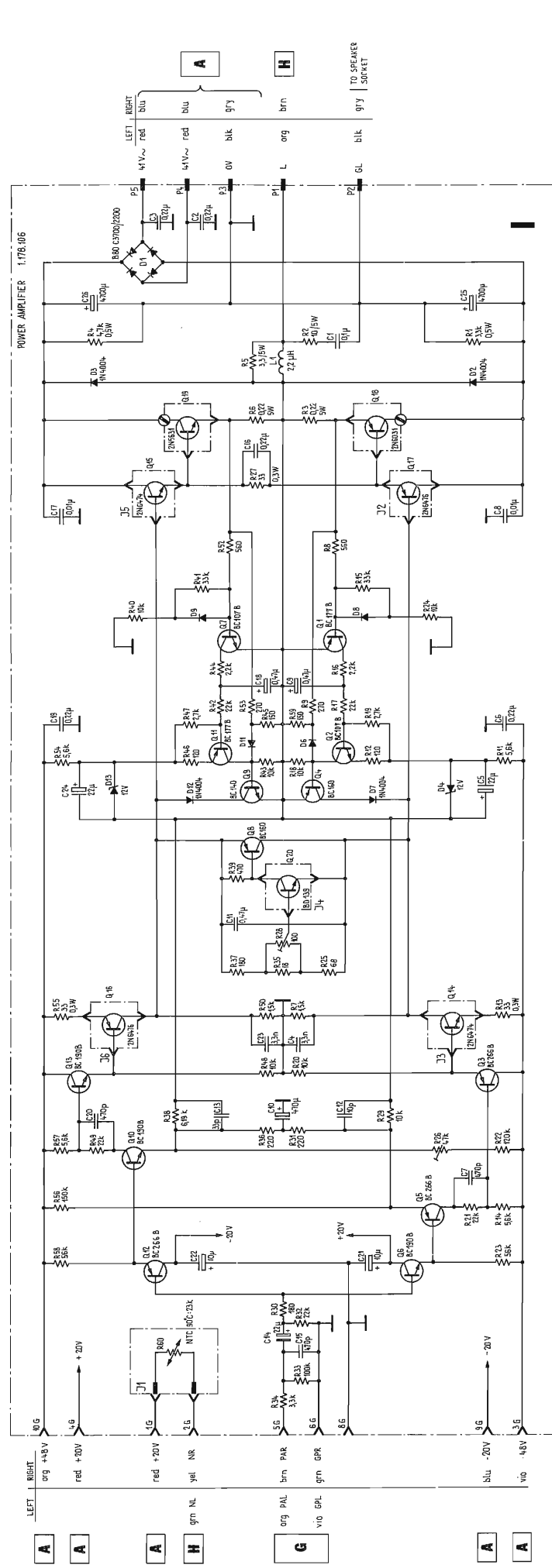


PROTECTION CIRCUIT 1.178.110



POWER AMPLIFIER UNIT MK I

1.178.100



POWER AMPLIFIER UNIT MK II

1.178.101