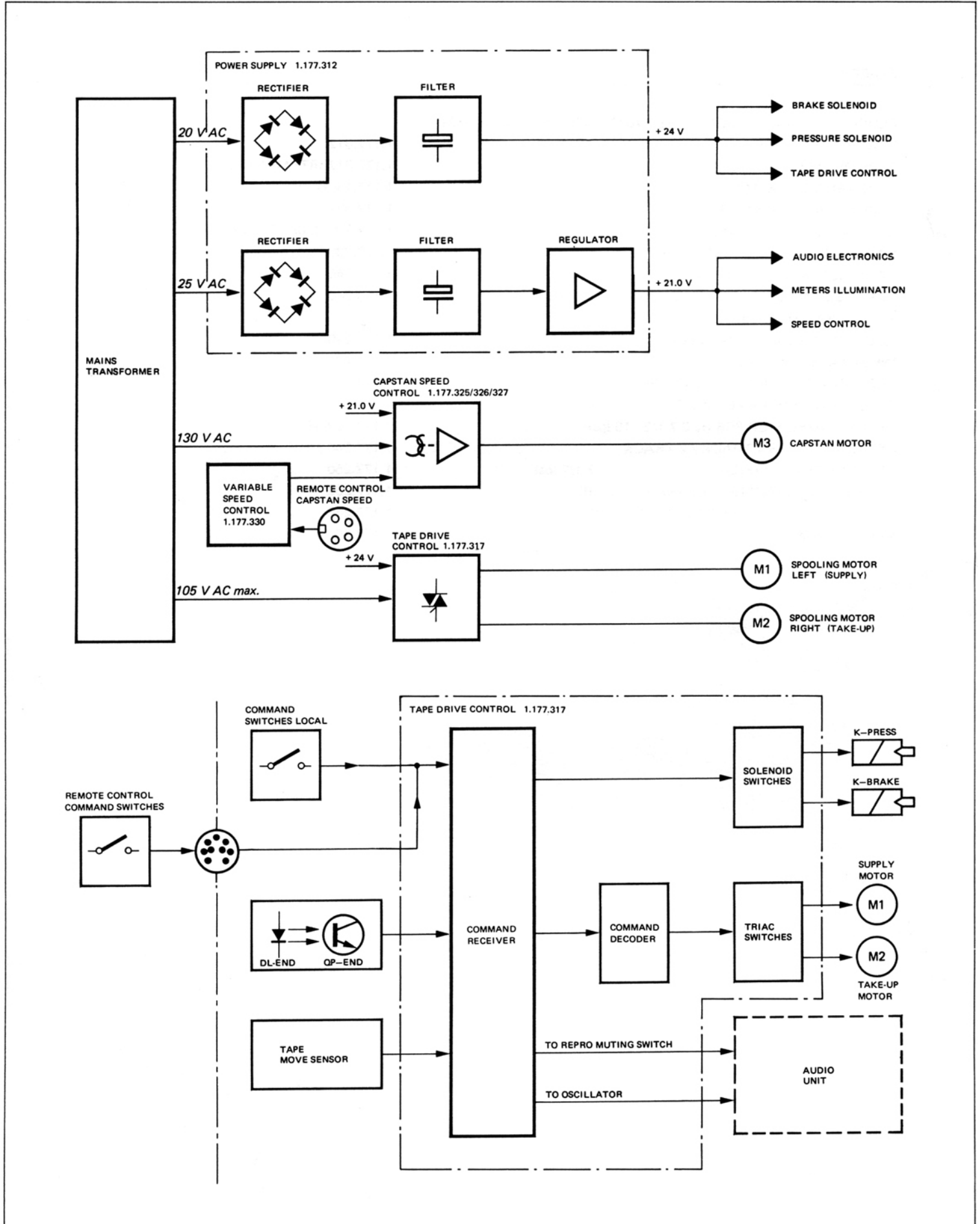


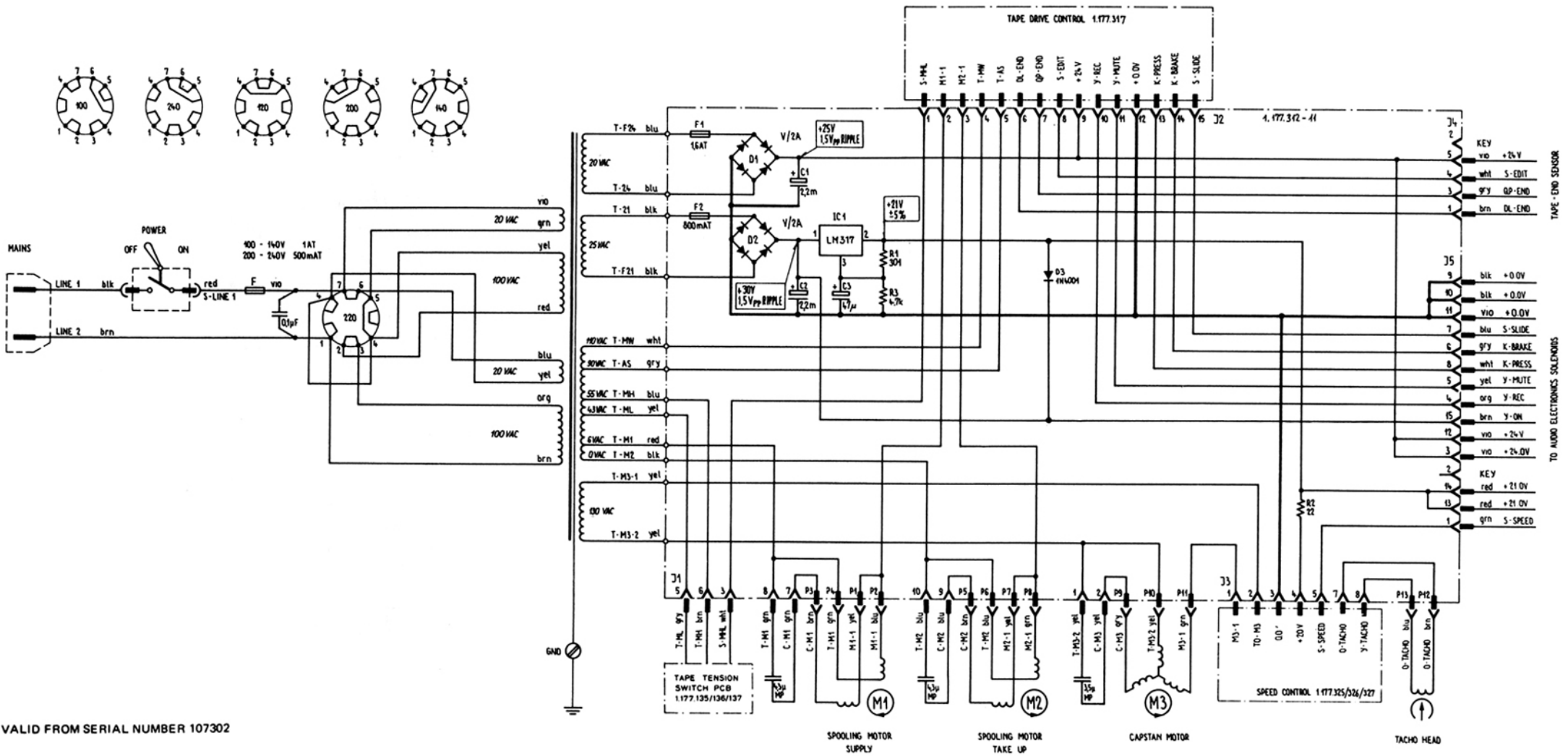


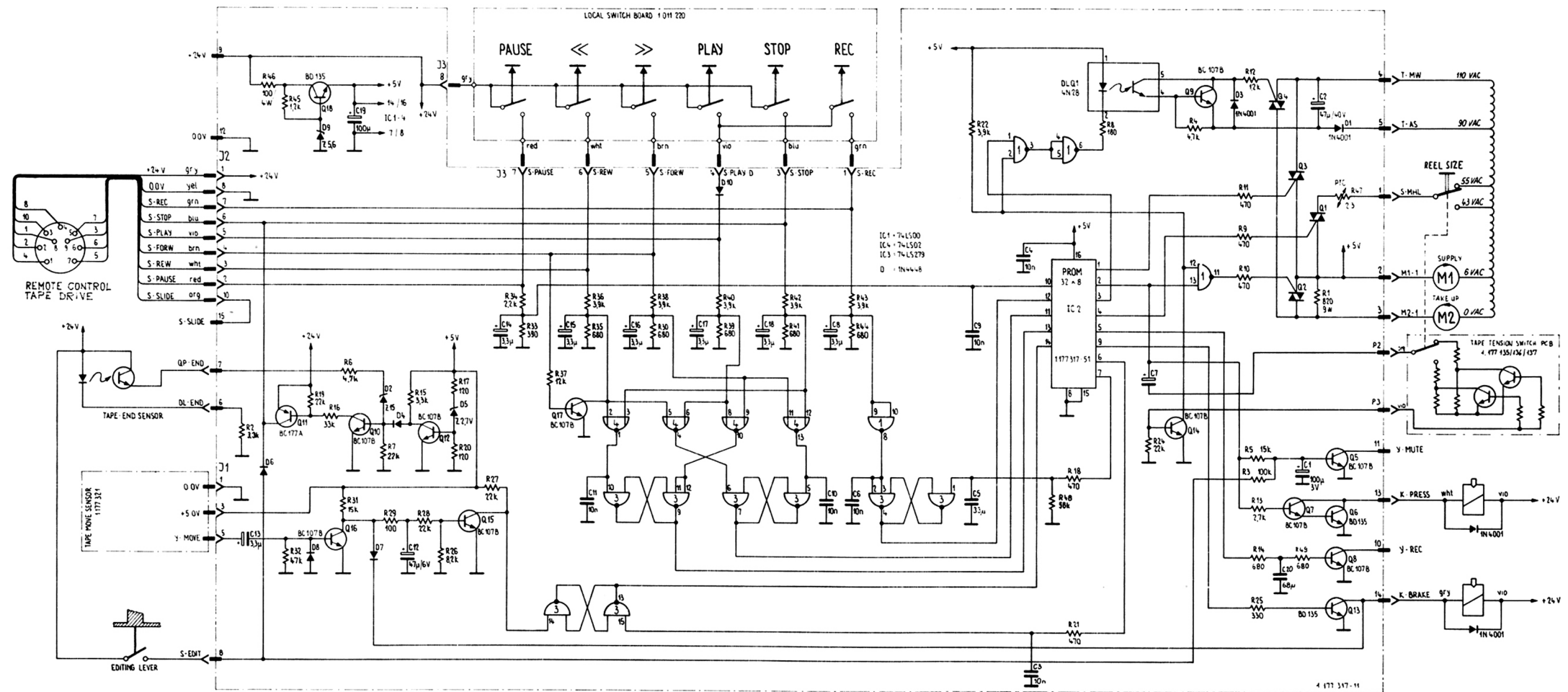
B77 MKII

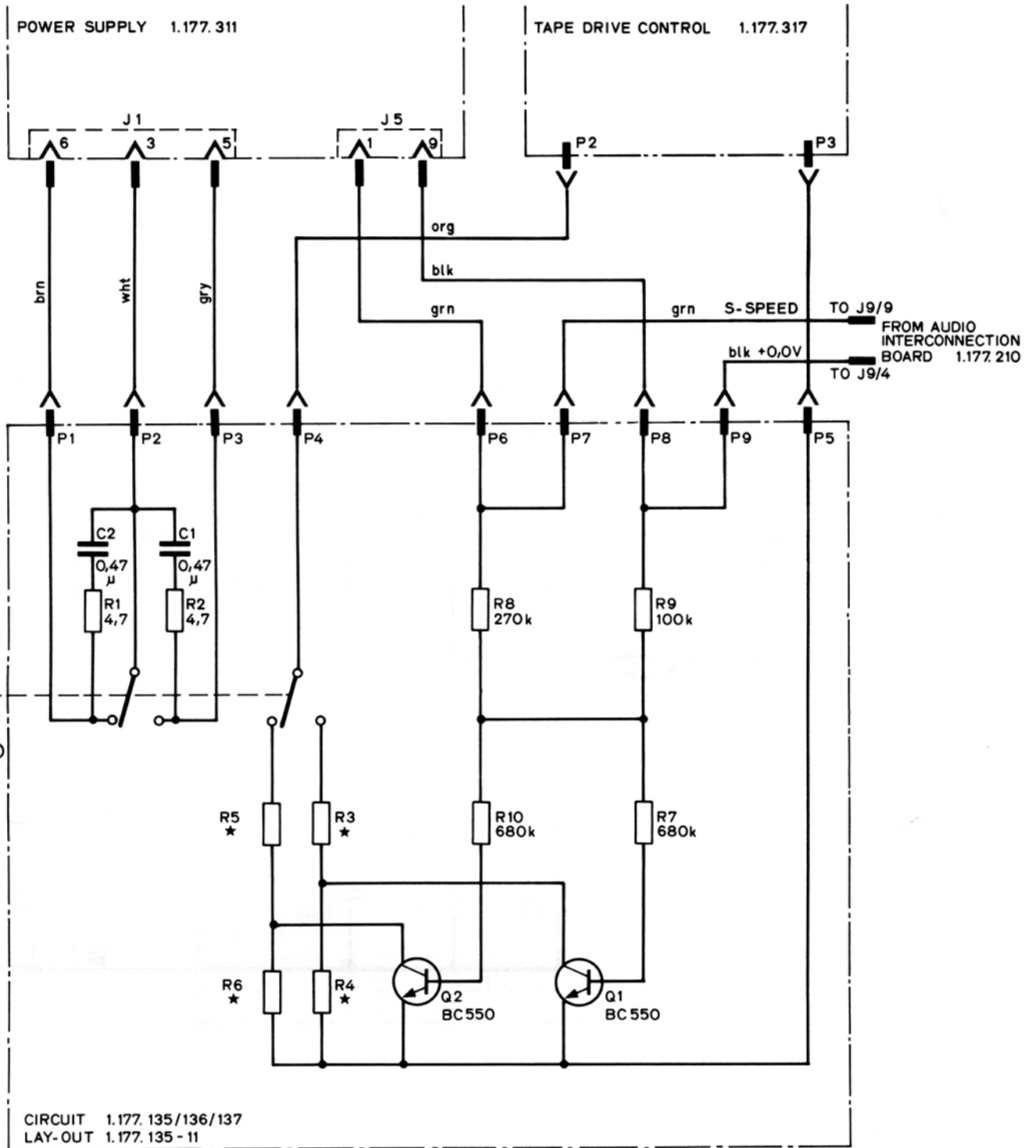
SET OF SCHEMATICS

BLOCK DIAGRAM / POWER SUPPLY AND TAPE DRIVER CONTROL

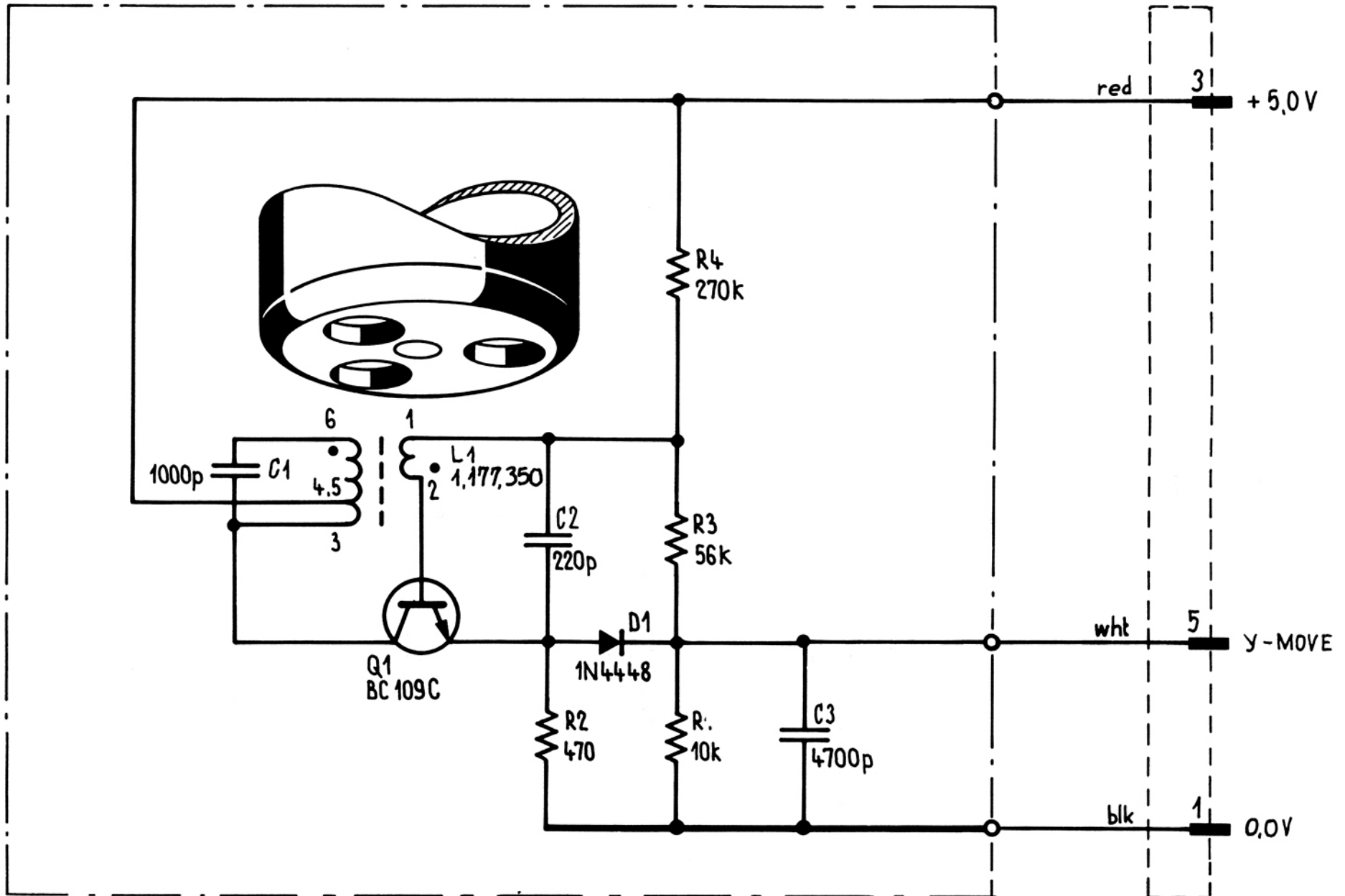


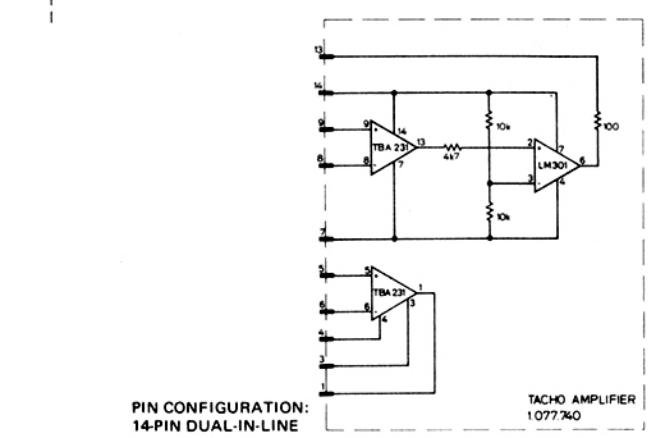
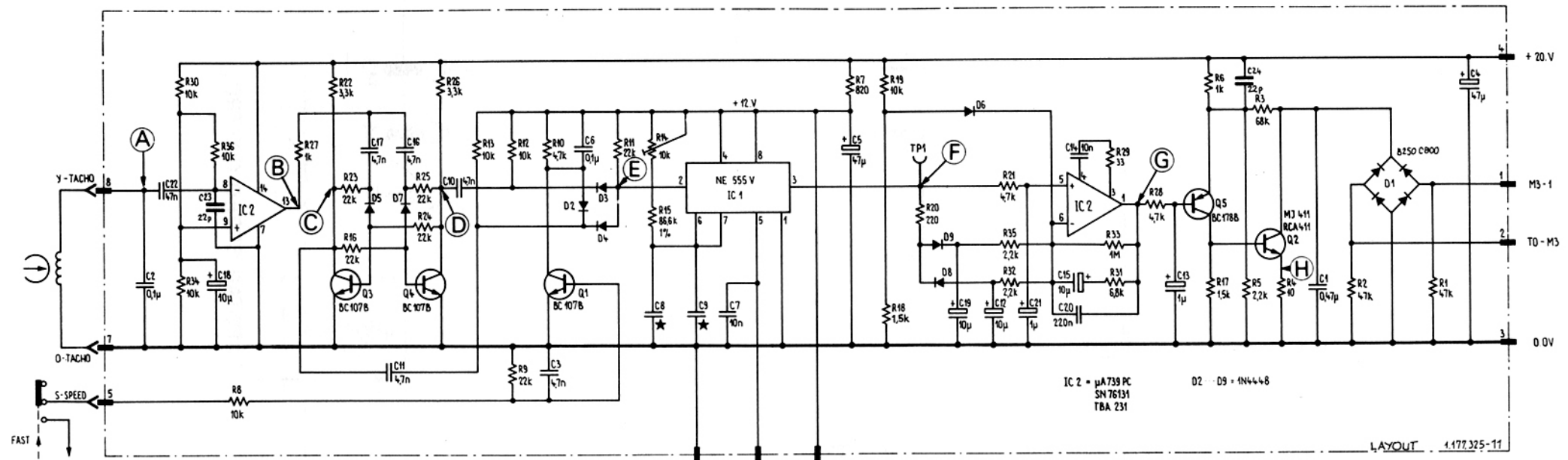
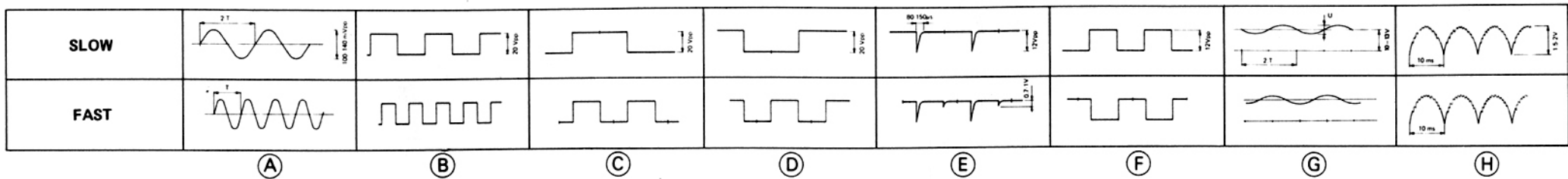




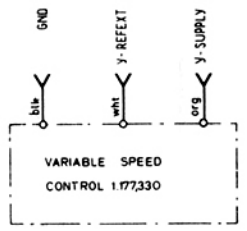


SPEED RANGE	*R3	*R4	*R5	*R6
1.177.135.00 1 ⁷ / ₈ - 3 ³ / ₄ "	220R	180R	220R	180R
1.177.136.00 3 ³ / ₄ - 7 ¹ / ₂ "	220R	470R	3,9k	3,9k
1.177.137.00 7 ¹ / ₂ - 15"	1,2k	2,7k	3,9k	3,9k





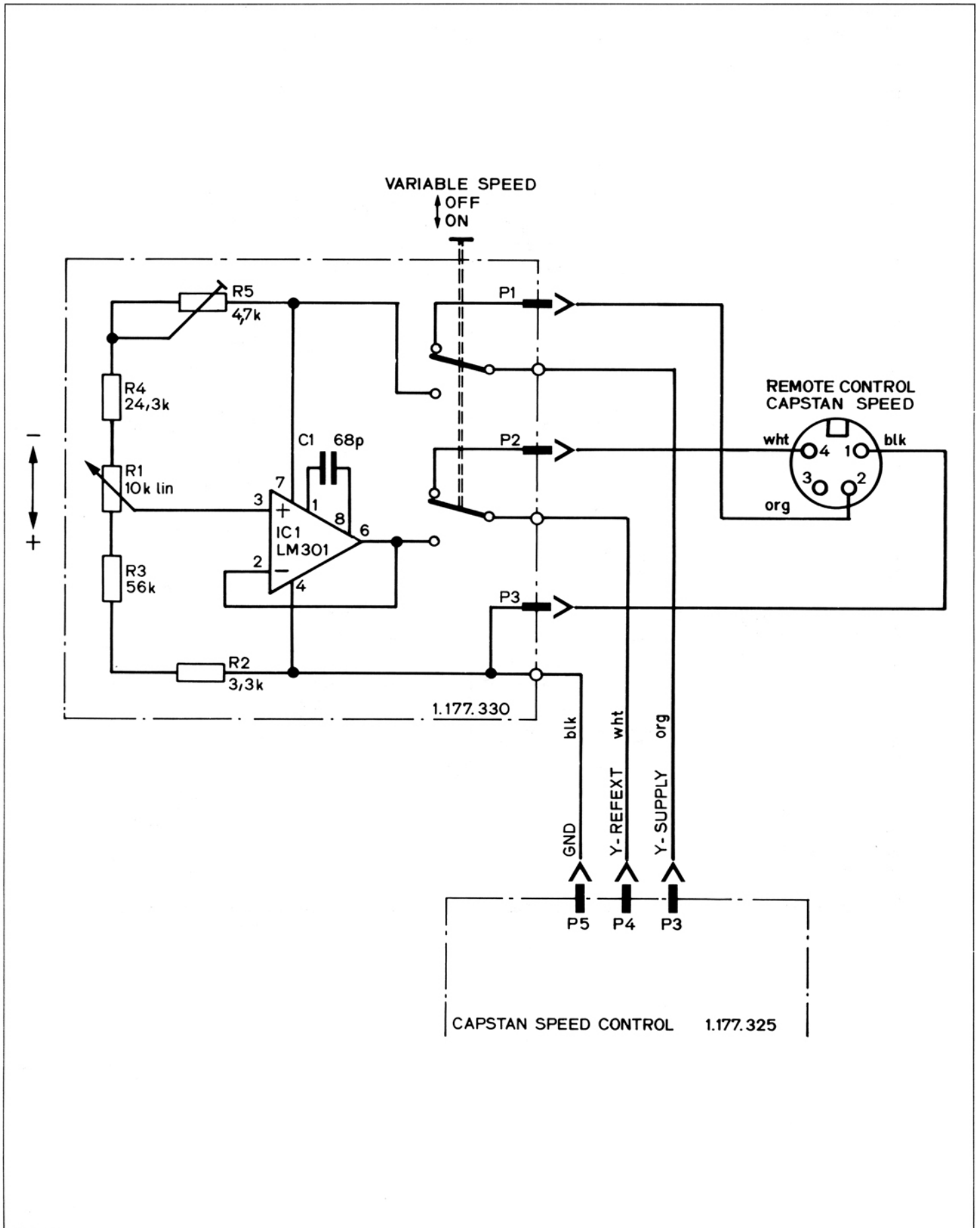
VERSION 1.177.327:
INSTEAD OF THE
REMOVED IC2 THE
SUB-ASSY TACHO
AMPLIFIER 1.077.740
IS PLUGGED INTO
THE IC2 SOCKET



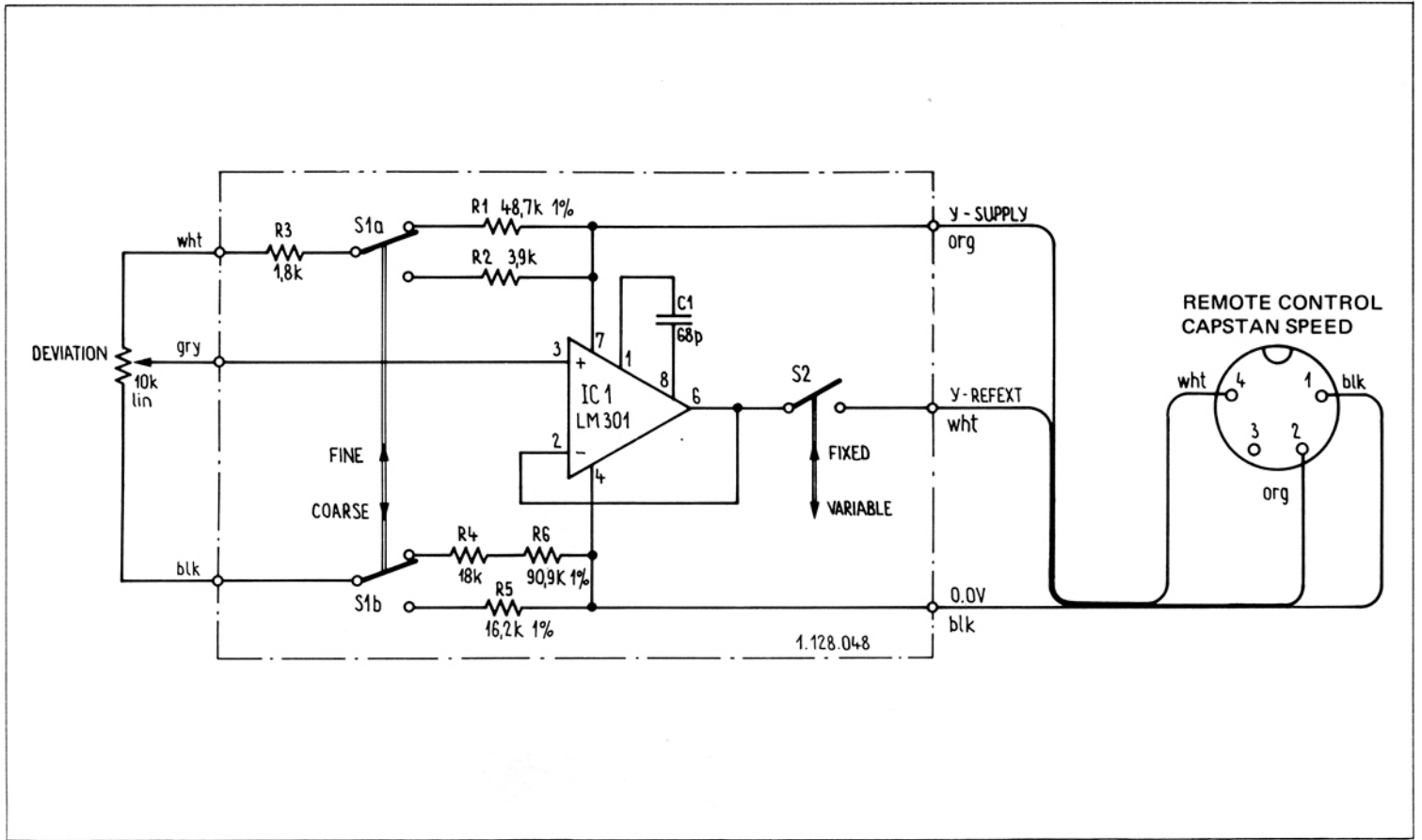
SPEED CONTROL	T	U
1.177.325	625 μs	1 Vpp
1.177.326	833 μs	2.5 Vpp
1.177.327	1666 μs	3 Vpp

TYPE	SPEED	CAPSTAN SHAFT φ	C-MOTOR NO.	SPEED CONTROL	C8 ★	C9 ★
HS	7 1/2" - 15"	9.06 mm	1.021.320	1.177.325	1.6 nF	4.7 nF
STD	3 3/4" - 7 1/2"	4.51 mm	1.021.300	1.177.325	1.6 nF	4.7 nF
LS	1 7/8" - 3 3/4"	3.00 mm	1.021.304	1.177.326	1.6 nF	6.8 nF
SLS	15/16" - 1 7/8"	3.00 mm	1.021.304	1.177.327	5.6 nF	10 nF

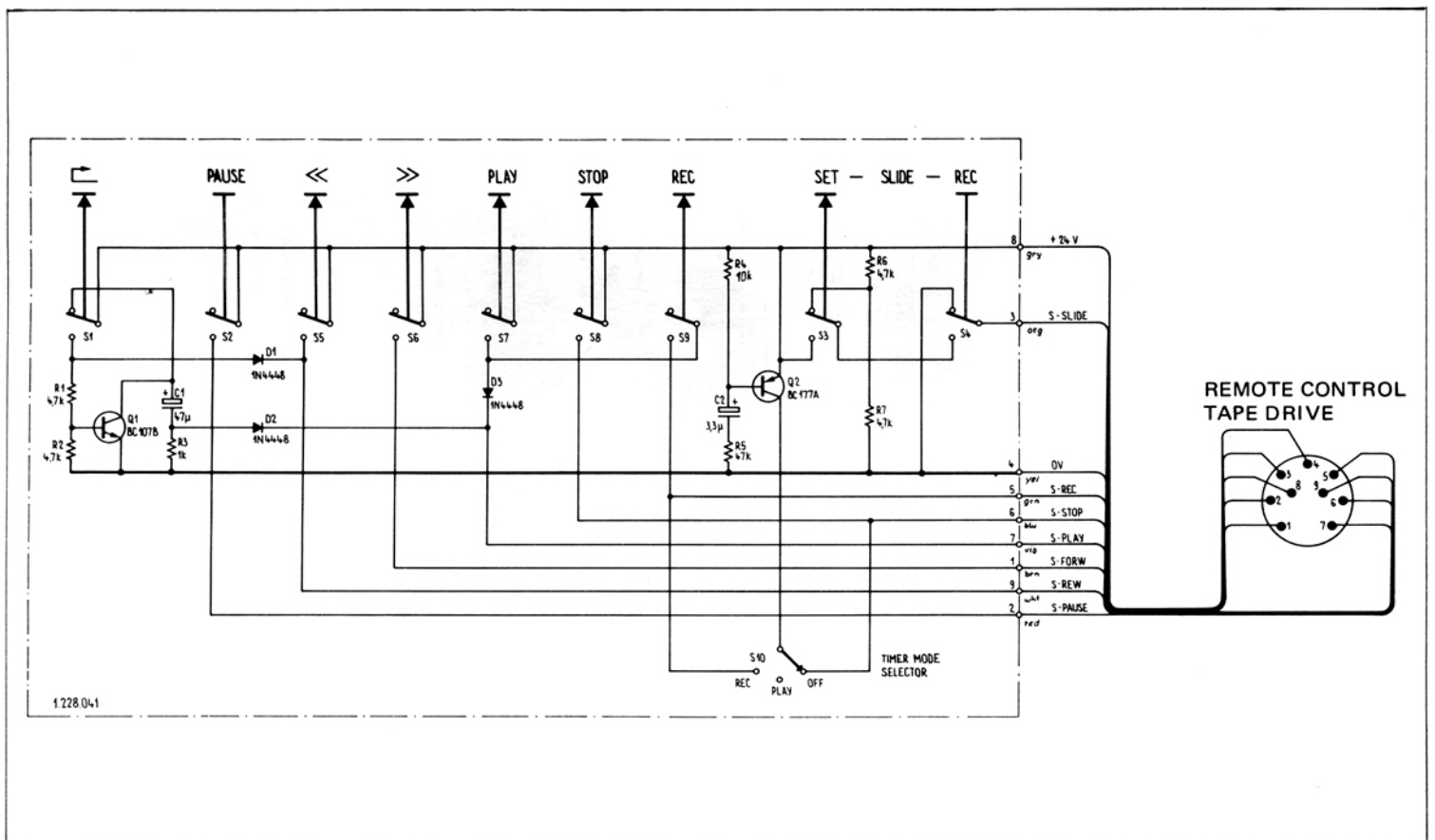
PIN CONFIGURATION:
14-PIN DUAL-IN-LINE



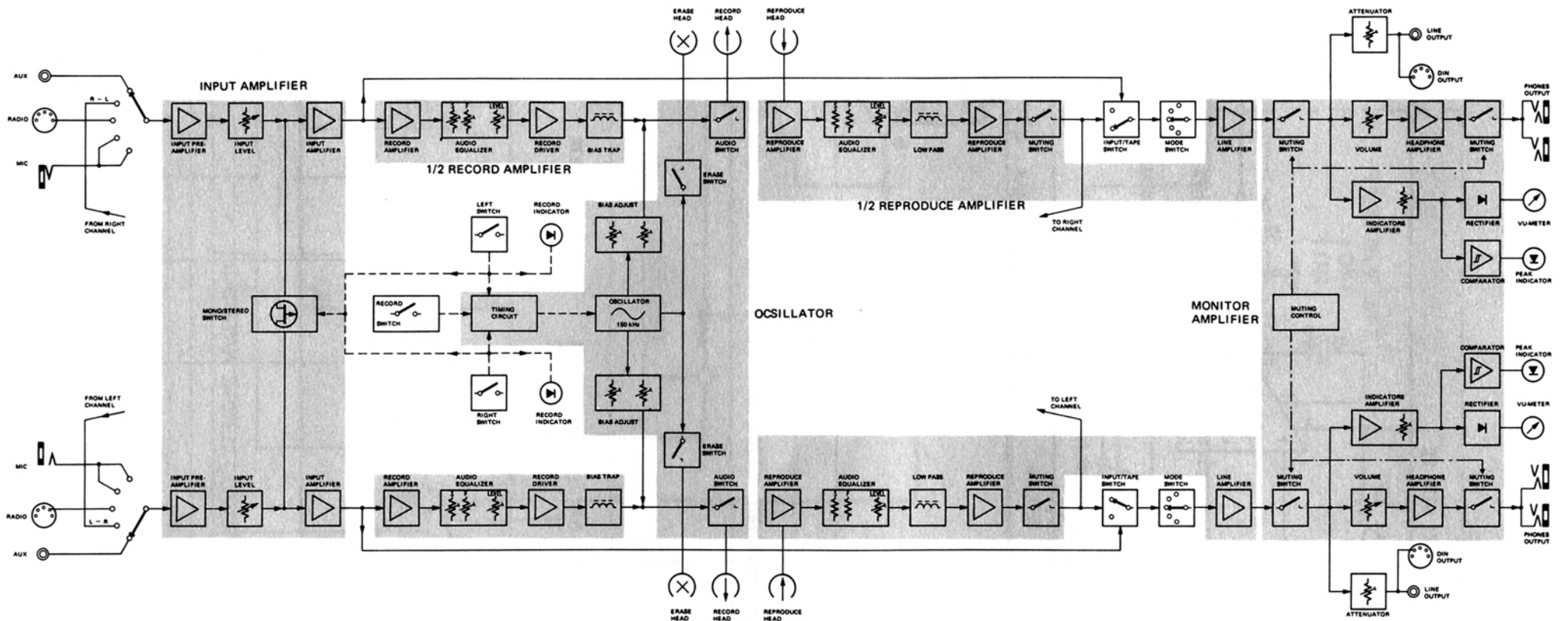
VARIABLE SPEED CONTROL 1.128.045



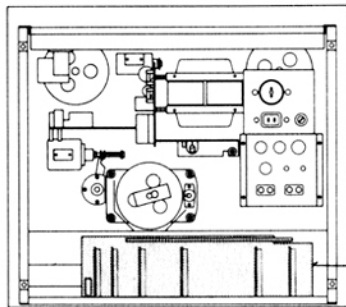
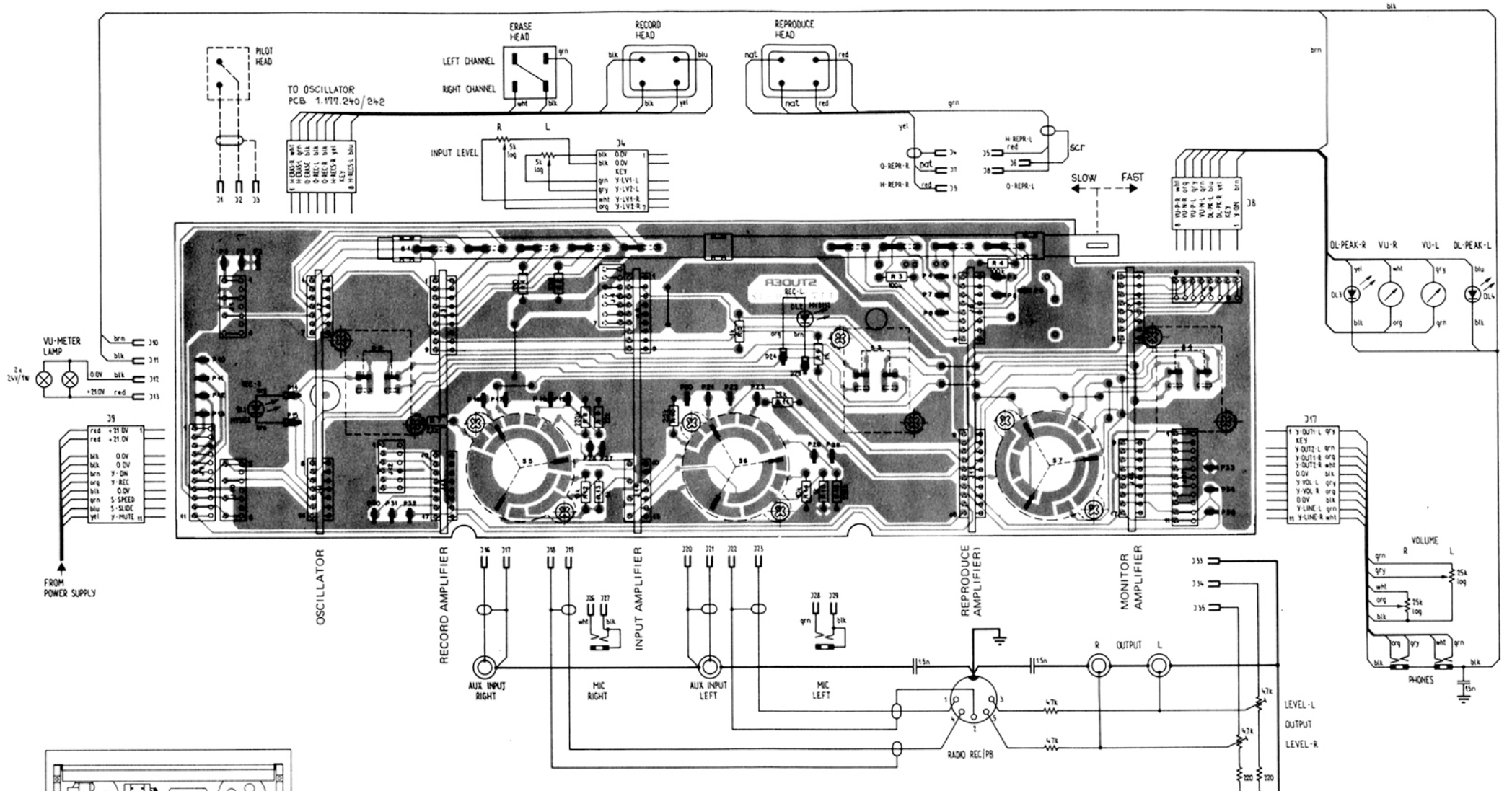
REMOTE CONTROL UNIT / COMMAND SWITCHES 1.128.040



BLOCK DIAGRAM / AUDIO



AUDIO INTERCONNECTION PCB 1.177.210



1.177.210

POS NO	PART NO	VALUE	SPECIFICATIONS	EQUIVALENT MFR
J 01	54.01.0224	4-Pole	CIS-sockets-STRAP	
J 02	54.01.0218	7-Pole		
J 03	54.01.0217	9-Pole		
J 04	54.01.0263	7-Pole		
J 05	54.01.0217	7-Pole		
J 06	54.01.0289	8-Pole		
J 07	54.01.0289	8-Pole		
J 08	54.01.0289	8-Pole		
J 09	54.01.0291	11-Pole		
J 10	54.01.0224	4-Pole		
J 11	54.01.0218	7-Pole		
J 12	54.01.0216	6-Pole		
J 13	54.01.0289	8-Pole		
J 14	54.01.0224	4-Pole		
J 15	54.01.0290	10-Pole		
J 16	54.01.0217	9-Pole		

J 17	54.01.0291	11-Pole		
J 18	54.01.0220		AMP-Fix pin	
R 01	57.41.4331	330	5K .25W	CF
R 02	57.41.4331	330		
R 03	57.41.4104	100 K		
R 04	57.41.4104	100 K		
R 05	57.41.4102	1 K		
R 06	57.41.4102	1 K		
R 07	57.41.4222	2.2 K		
R 08	57.41.4224	220 K		
R 09	57.41.4223	22 K		
R 10	57.41.4222	2.2 K		
R 11	57.41.4223	22 K		
R 12	57.41.4103	10 K		
R 13	57.41.4102	1 K		
R 14	57.41.4103	10 K		
R 15	57.41.4102	1 K		

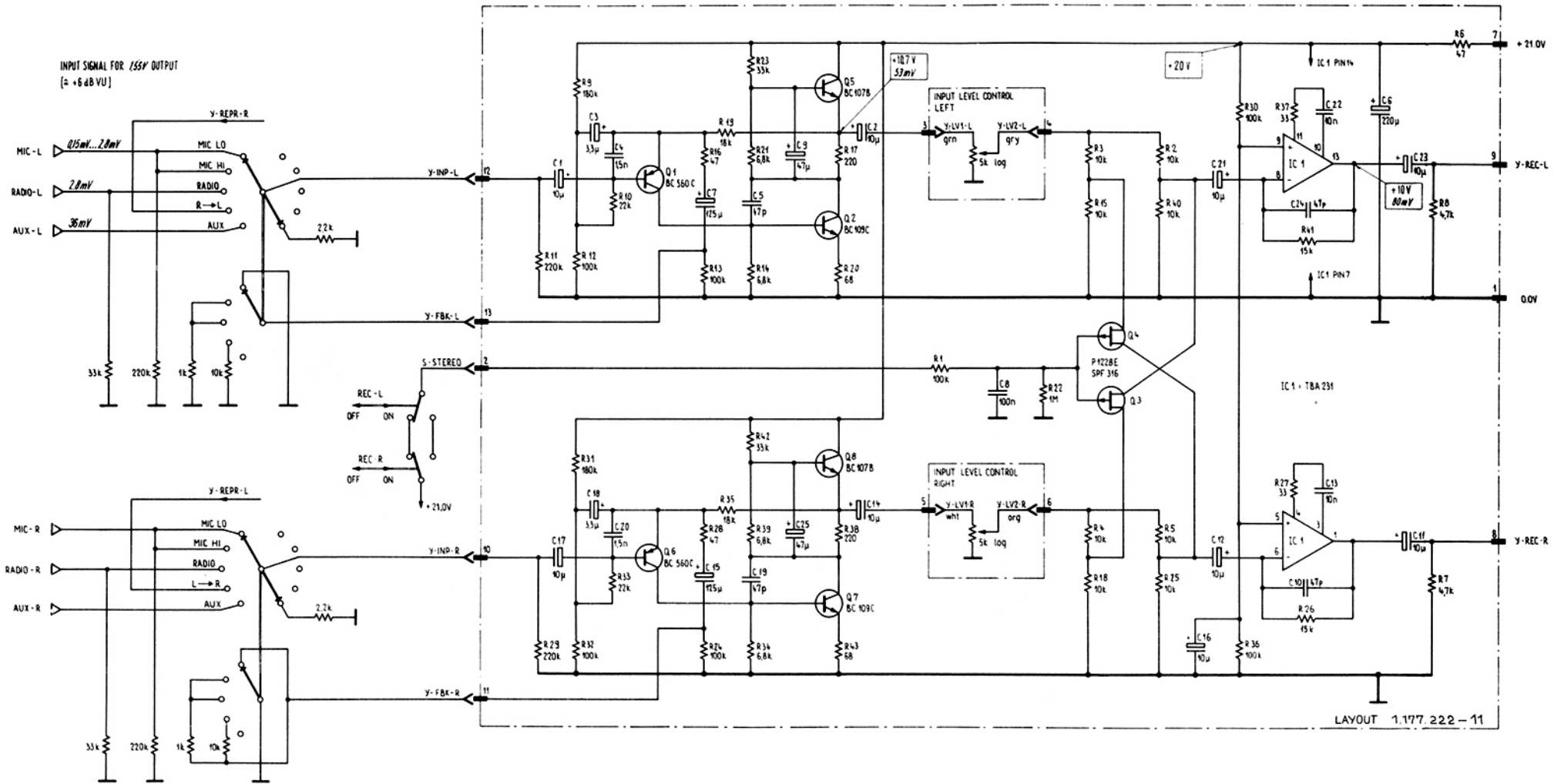
R 16	57.41.4224	220 K		
R 17	57.11.4334	330 K		
S 1	1.177.210.01	special	Slide-Switch	
S 2-54	1.011.120.00	2-Pole	Toggle-Switch	
S 5-87	1.011.120.00	2-Pole/3-Pole	Rotary-Switch	

CF = Carbon Film

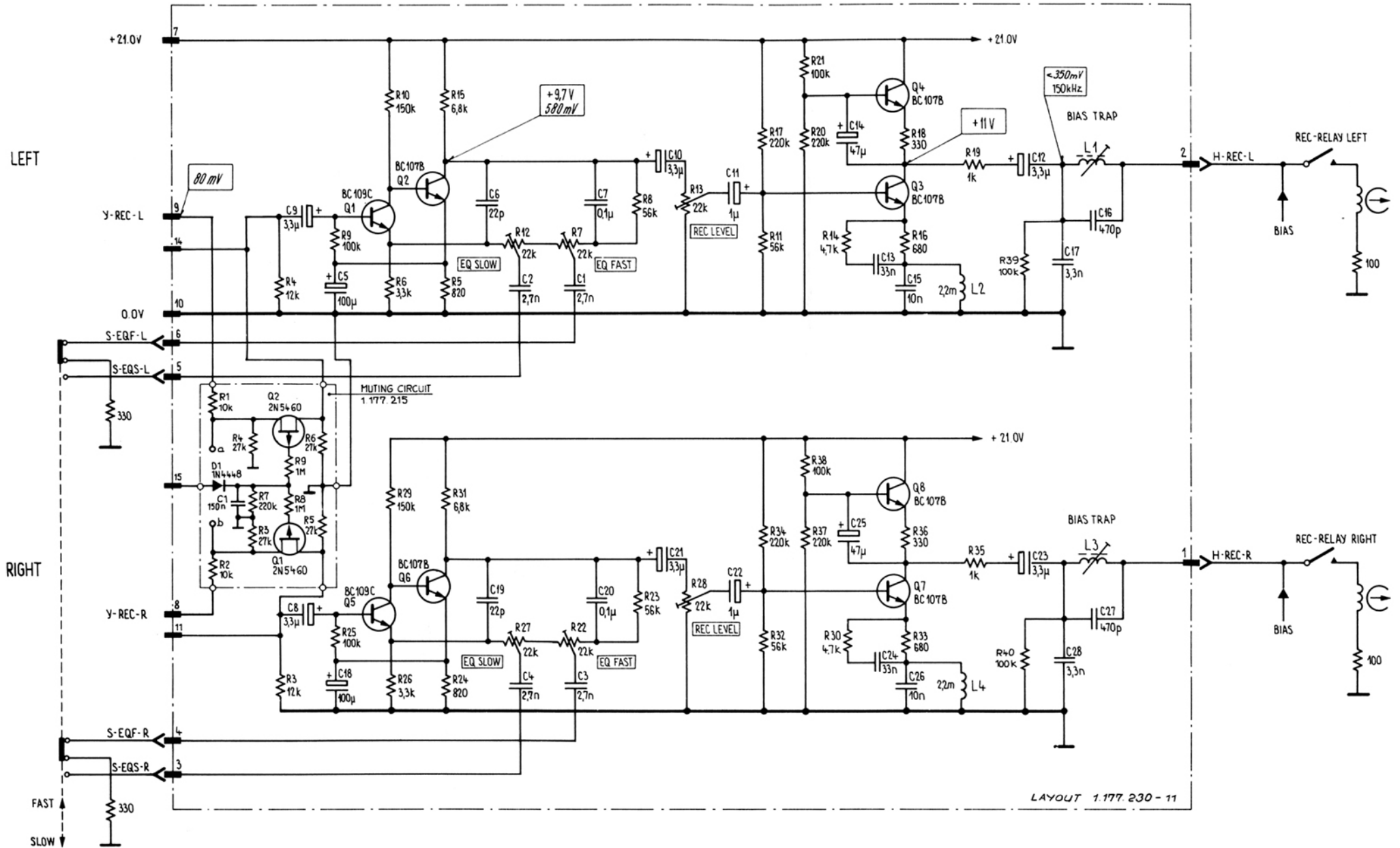
REV	12.6.78	74
IND	10.5.77	Masse/gv
IND	DATE	NAME

STUDER Audio-Interconnection Board 1.177.210 PAGE 1 of 1

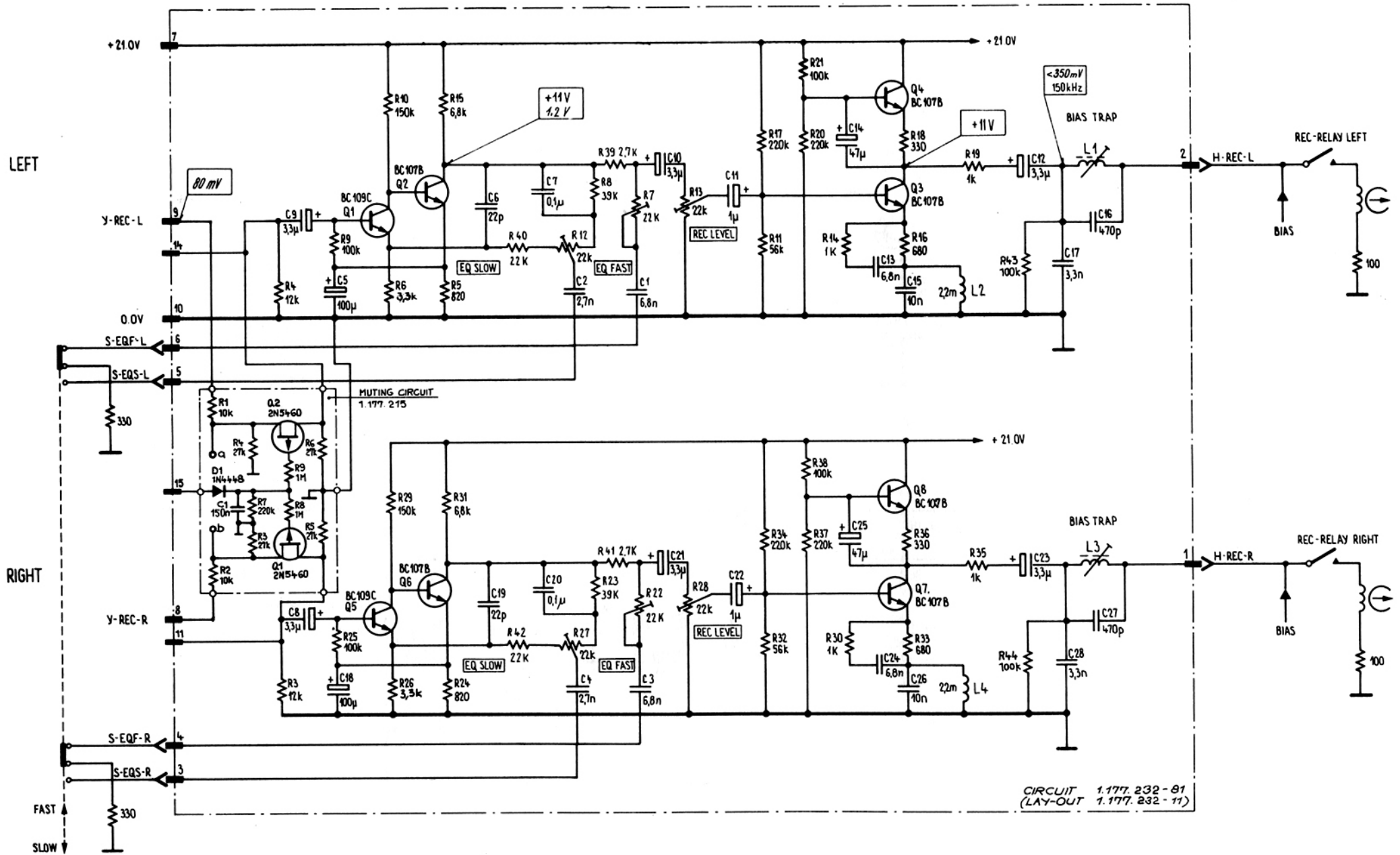
INPUT AMPLIFIER PCB 1.177.221



RECORD AMPLIFIER PCB (NAB 3 3/4 - 7 1/2 ips) 1.177.230-81

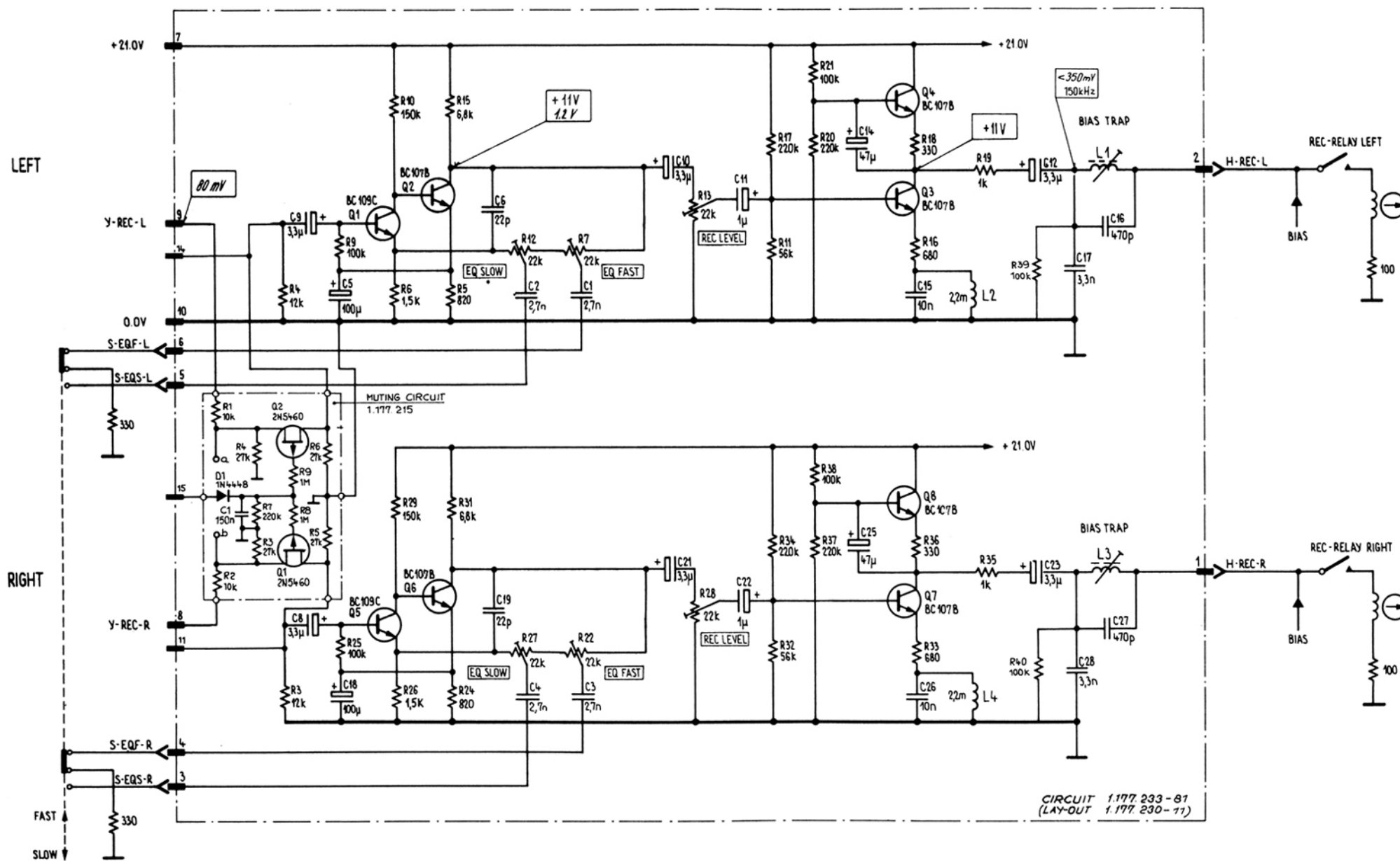


RECORD AMPLIFIER PCB (NAB 7 1/2 - 15 ips) 1.177.232-81

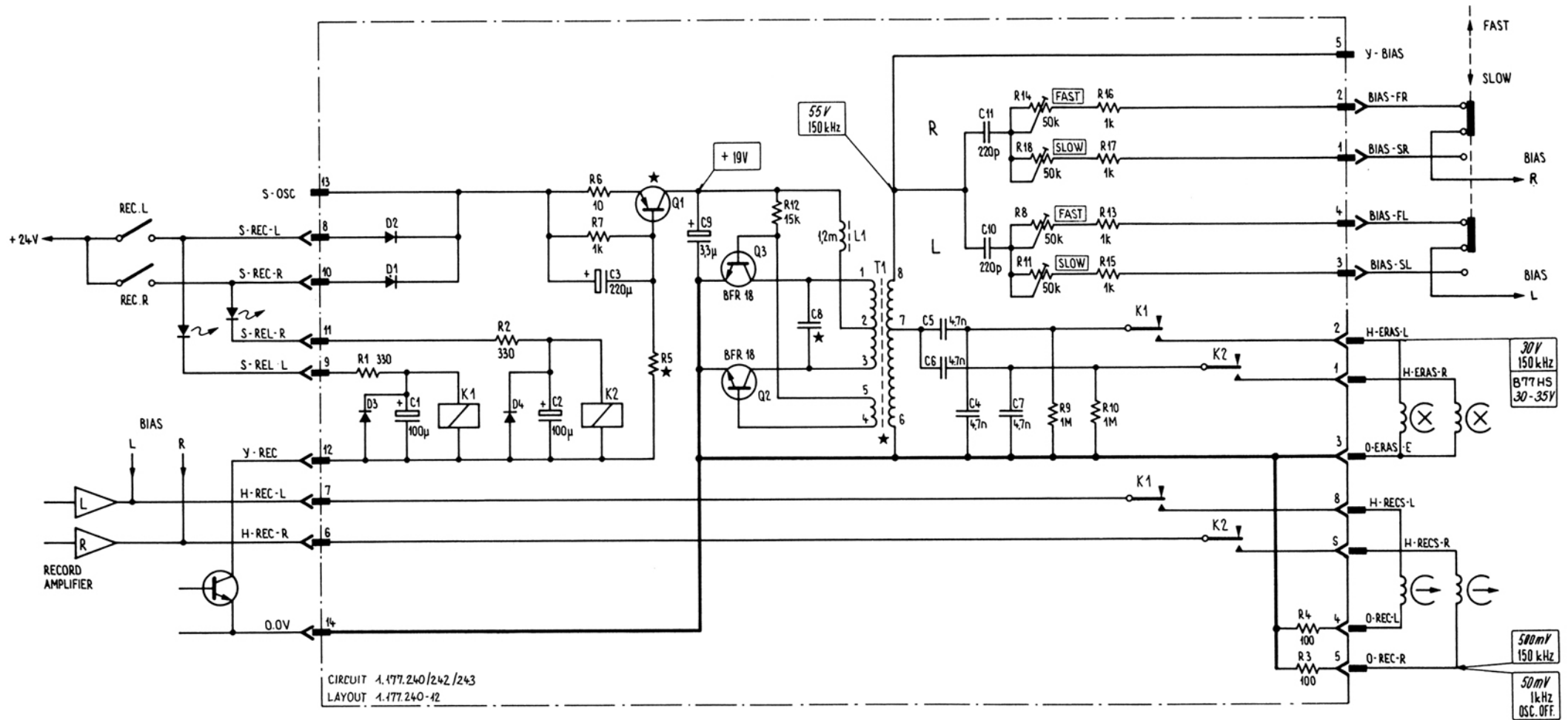


CIRCUIT 1.177.232-81
 (LAY-OUT 1.177.232-11)

RECORD AMPLIFIER PCB (IEC 7 1/2 - 15 ips) 1.177.233-81



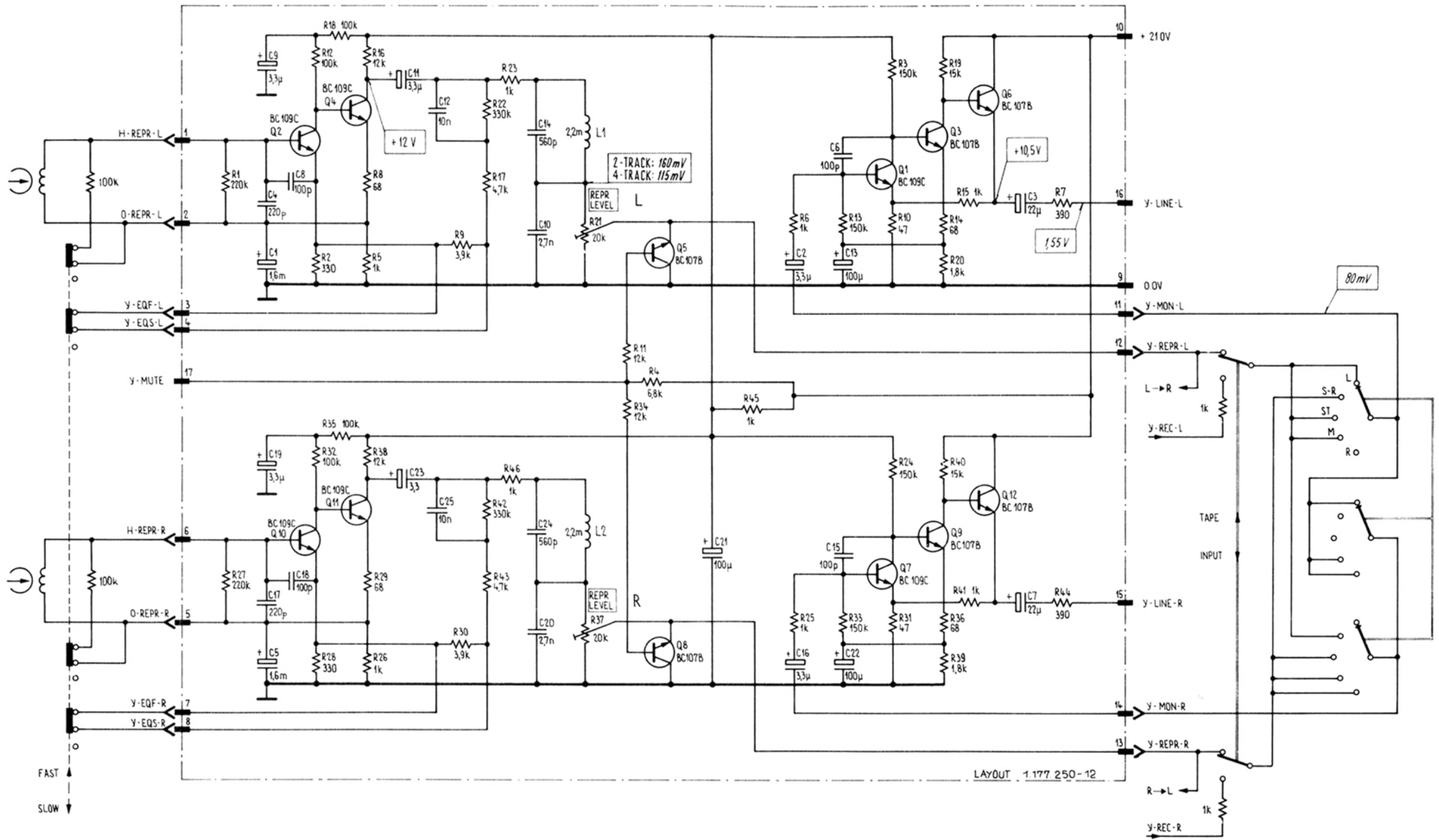
OCSILLATOR PCB 4 TRACK 1.177.240 / 2 TRACK 1.177.243



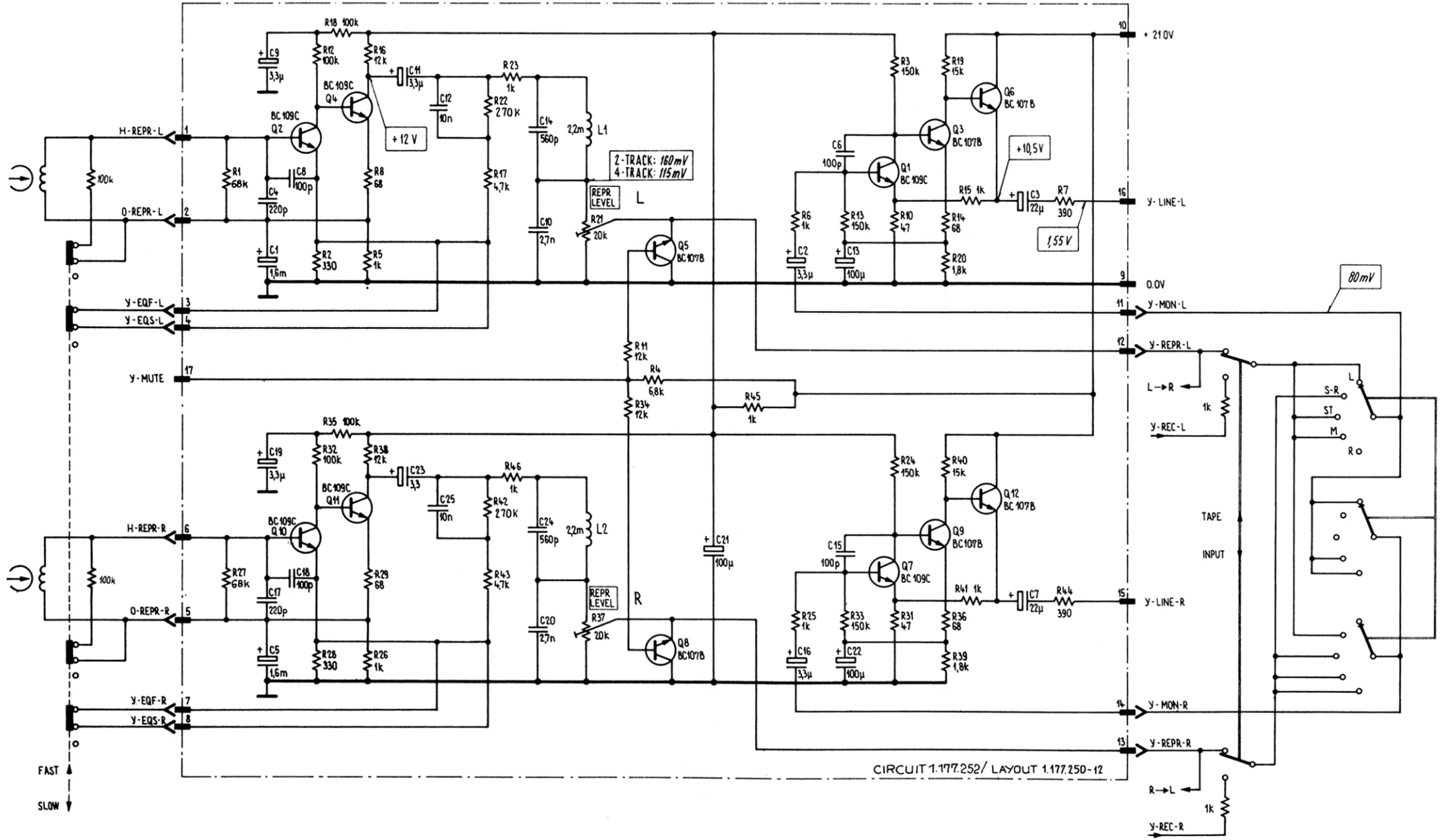
1.177.242: VALID ONLY FOR EARLIER VERSIONS B77 HS
T1 = 1.022.192.00 C8 = 8200p

★	T1	Q1	R5	C8
1.177.240	1.022.181-00	BD140	6.8k	6800p
1.177.242	1.022.192-00	BD140	6.8k	8200p
1.177.243	1.022.203-00	BD136-16	5.6k	12n

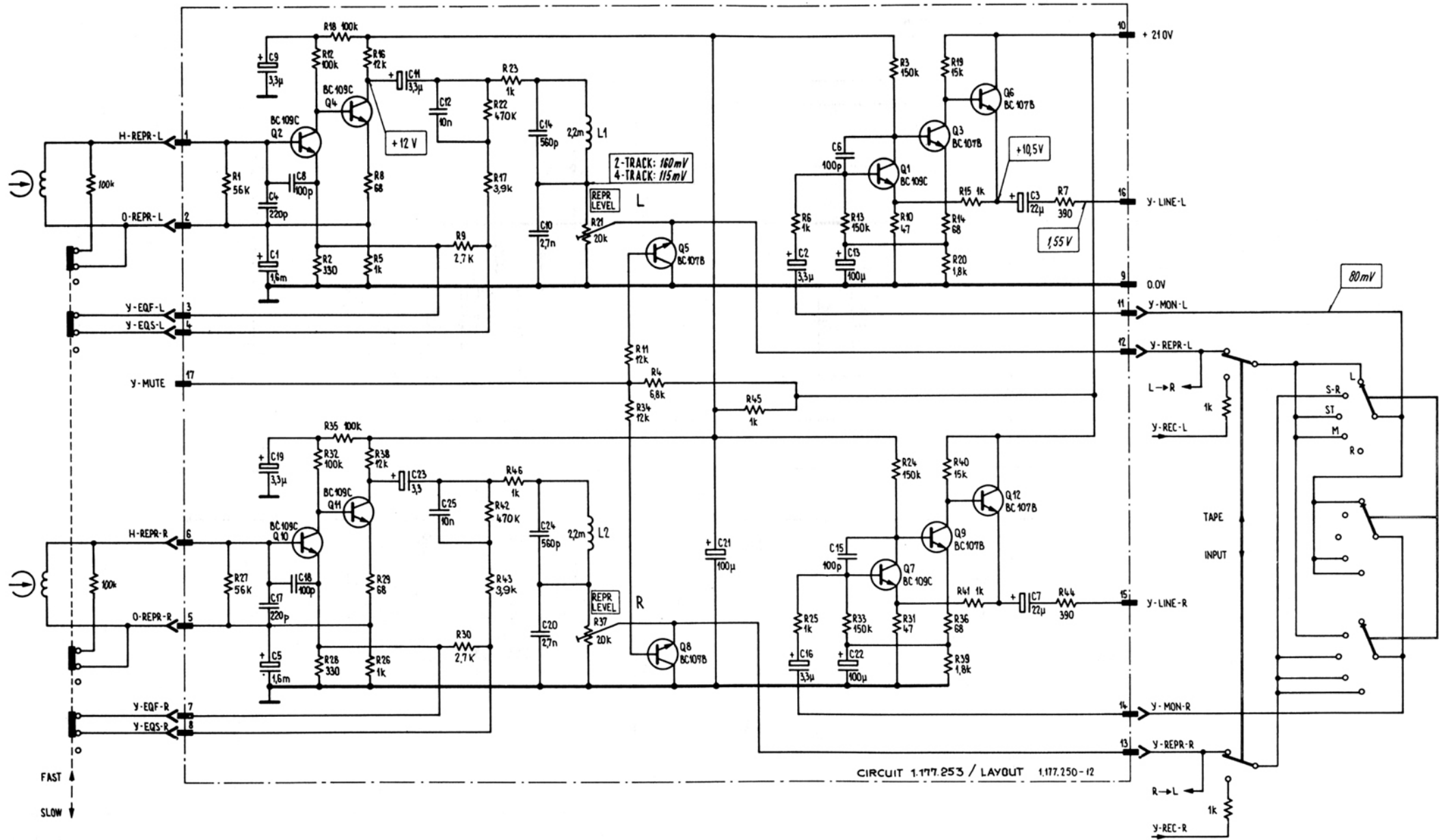
REPRODUCE AMPLIFIER PCB (NAB 3 3/4 - 7 1/2 ips) 1.177.250



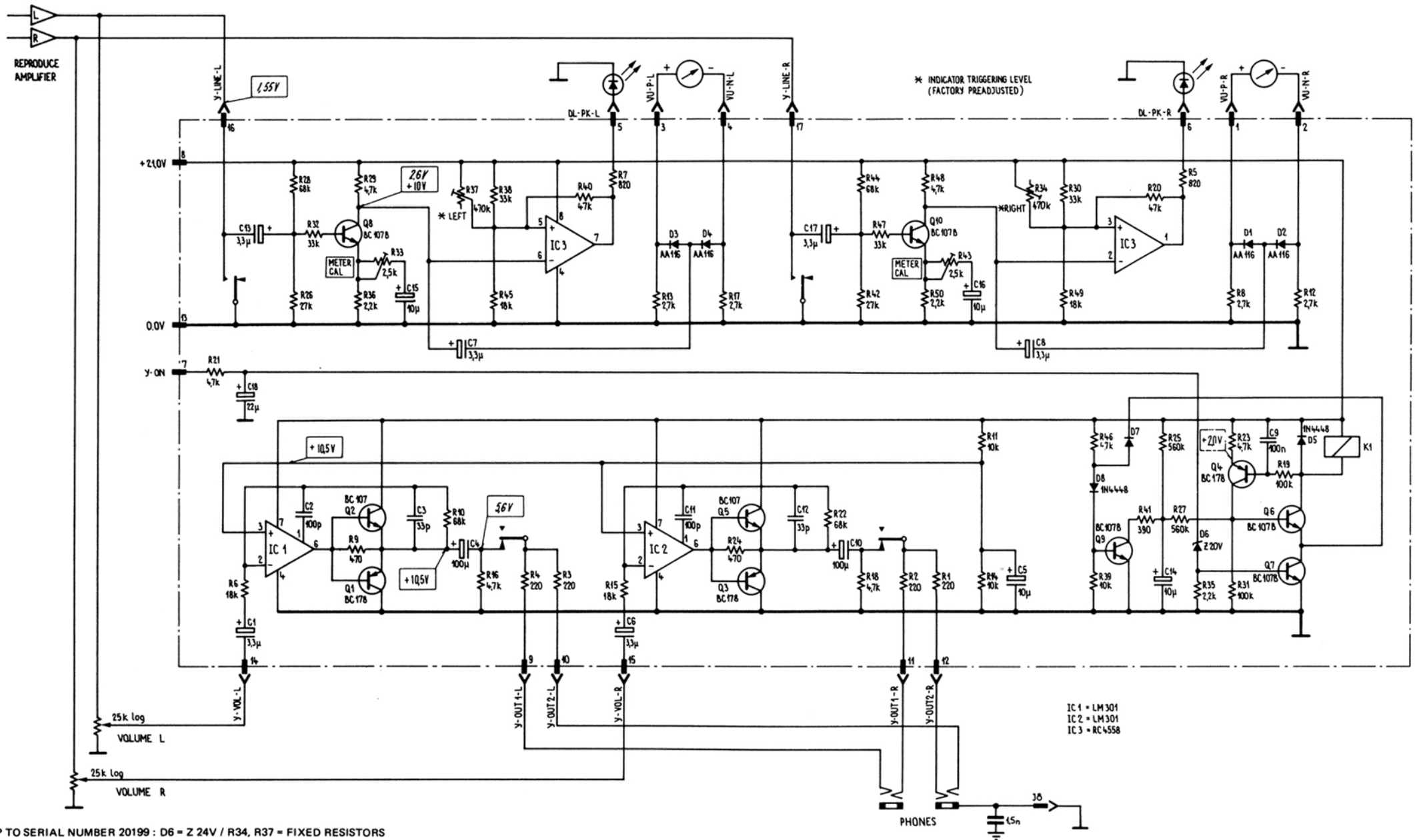
REPRODUCE AMPLIFIER PCB (NAB 7 1/2 - 15 ips) 1.177.252



REPRODUCE AMPLIFIER PCB (IEC 7 1/2 - 15 ips) 1.177.253



MONITOR AMPLIFIER PCB 1.177.260



UP TO SERIAL NUMBER 20199 : D6 = Z 24V / R34, R37 = FIXED RESISTORS