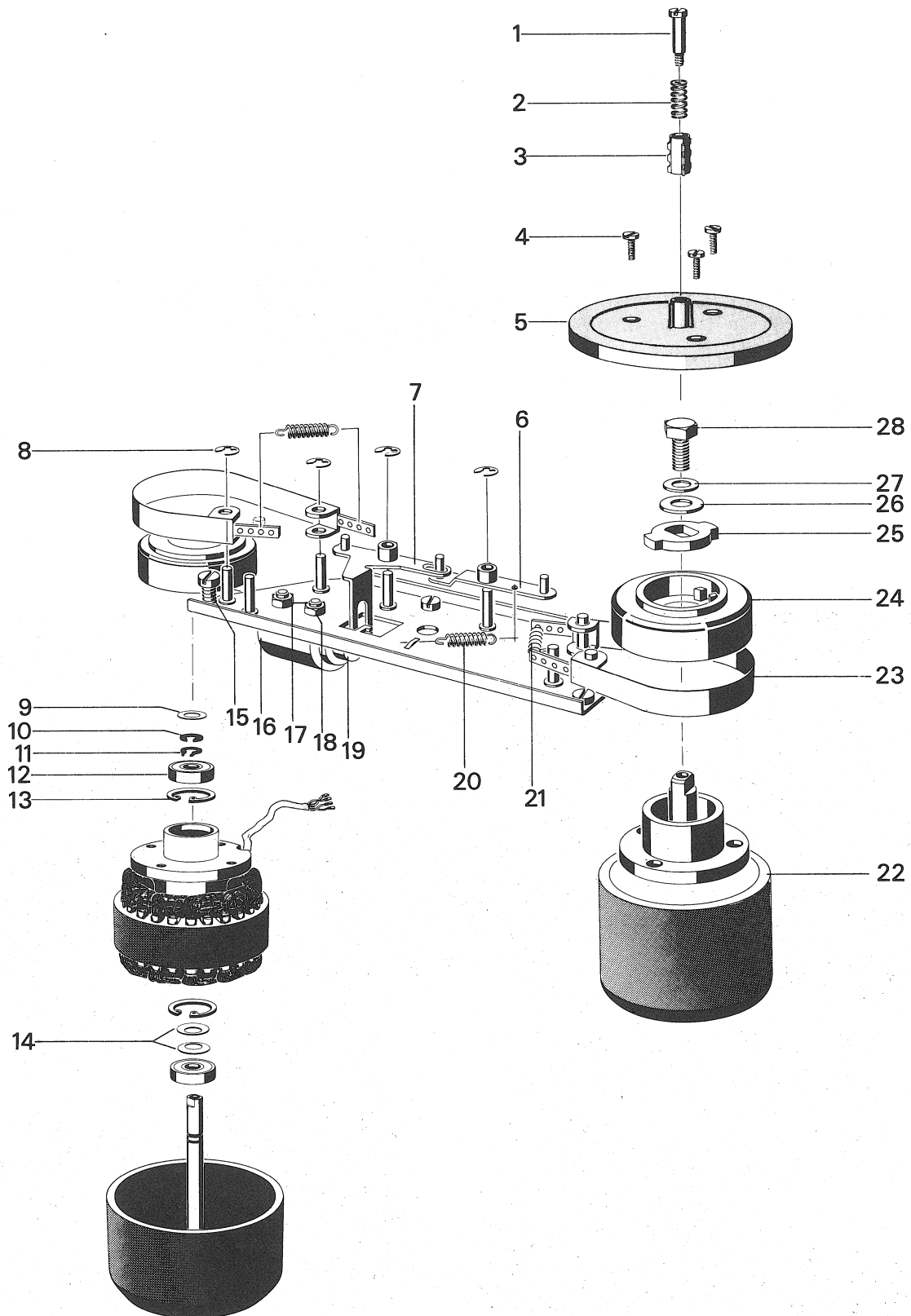


BANDZUGWAAGE / TAPE TENSION SENSOR

POS	QTY	ORDER NUMBER	PART NAME	SPECIFICATION
	1	1.777.210.82	Tape tension sen.	compl.
1	1	1.777.211.00	PCB / Tape tension arm	
2	3	21.26.0277	Philips head screw	
3	1	1.077.100.13	Tension spring / brakes	
4	1	1.062.101.09	Washer	
5	1	1.777.222.03	Spacer	
6	1	1.062.101.07	Washer 0,1mm	
	1	1.062.101.08	Washer 0,2mm	
7	1	24.16.3040	Retaining clip	
8	1	1.177.100.16	Rubber ring	
9	1	1.010.134.37	Tension spring	
10	1	1.777.220.00	Roller compl.	
11	1	1.777.225.00	Cap compl.	

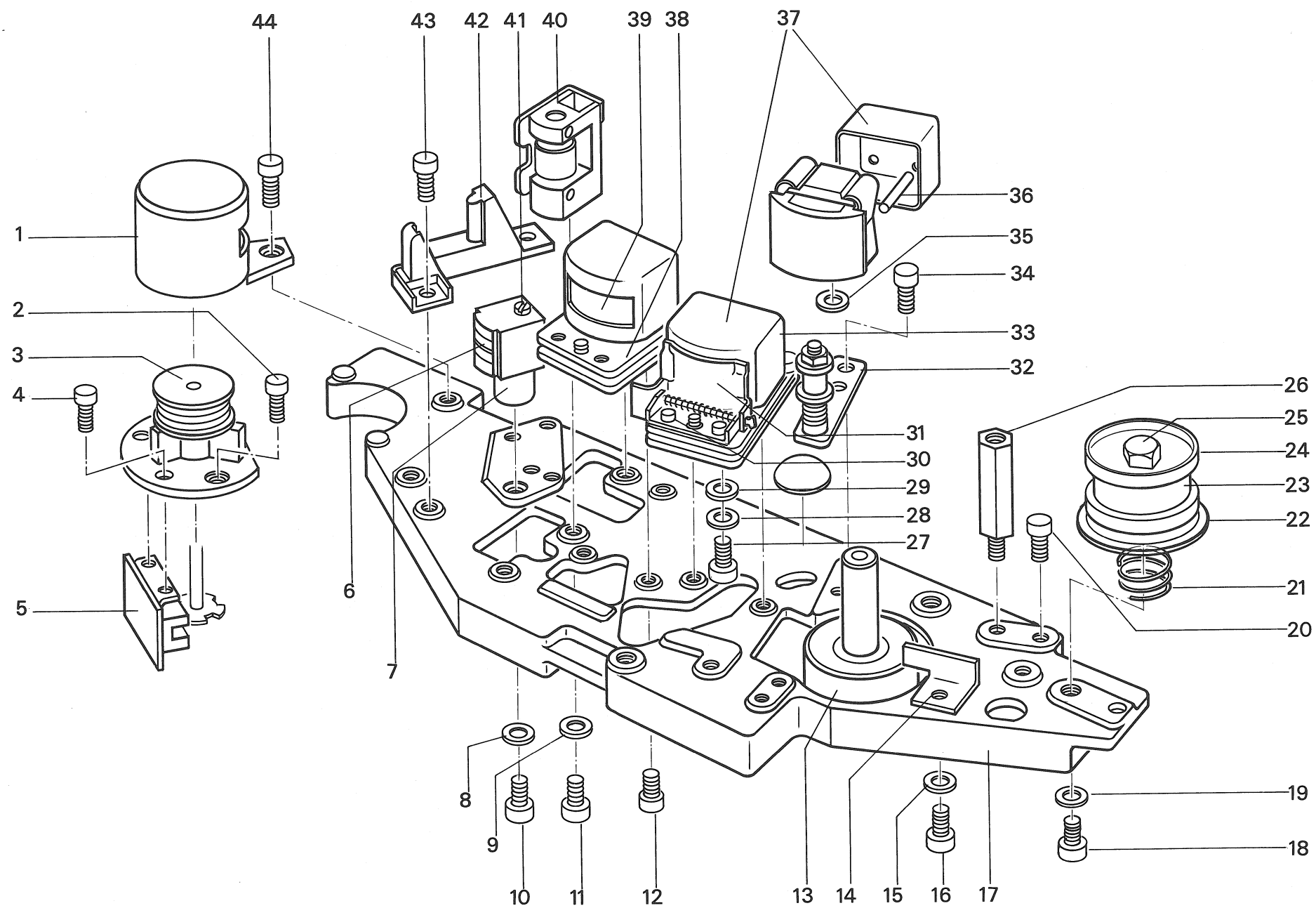
7.4 BANDBREMSE / BRAKE CHASSIS



BANDBREMSE / BRAKE CHASSIS

POS	QTY	ORDER NUMBER	PART NAME	SPECIFICATION
1	2	1.062.390.02	Shaft screw	
2	2	1.067.688.02	Lock spring/reel	
3	2	1.067.688.01	Guide sleeve	
4	6	21.38.0355	Philips head screw M3x8	
5	2	1.067.688.00	Turntable compl.	
6	1	1.077.415.00	Brake lever	
7	1	1.077.411.00	Brake lever	
8	6	24.16.3032	Circlip	
9	≈4	1.736.502.04	Washer 2mm	
	≈2	1.736.502.05	Washer 0,5mm	
10	1	1.021.256.04	Circlip	
11	1	24.16.5080	Retaining ring, external	
12	2	41.99.0105	Ball bearing	
13	2	24.16.4220	Retaining ring, internal	
14	4	37.02.0206	Cup washer	
15	3	21.26.0354	Screw M3x6	
16	1	1.014.852.00	Brake solenoid	
17	2	21.26.0353	Screw (M3x5 max.)	
18	2	23.01.2032	Washer M3	
19	1	1.014.854.00	Plunger brake solenoid	
20	1	1.062.210.06	Tension spring	
21	2	1.077.100.13	Tension spring	
22	1	1.021.220.00	Spooling motor	
23	2	1.077.421.00	Brake band compl.	
24	2	1.077.562.00	Brake drum	
25	2	1.067.100.27	Driver	
26	2	37.01.0103	Cup washer	
27	2	23.01.3043	Washer	
28	2	21.01.4455	Screw M4x8	

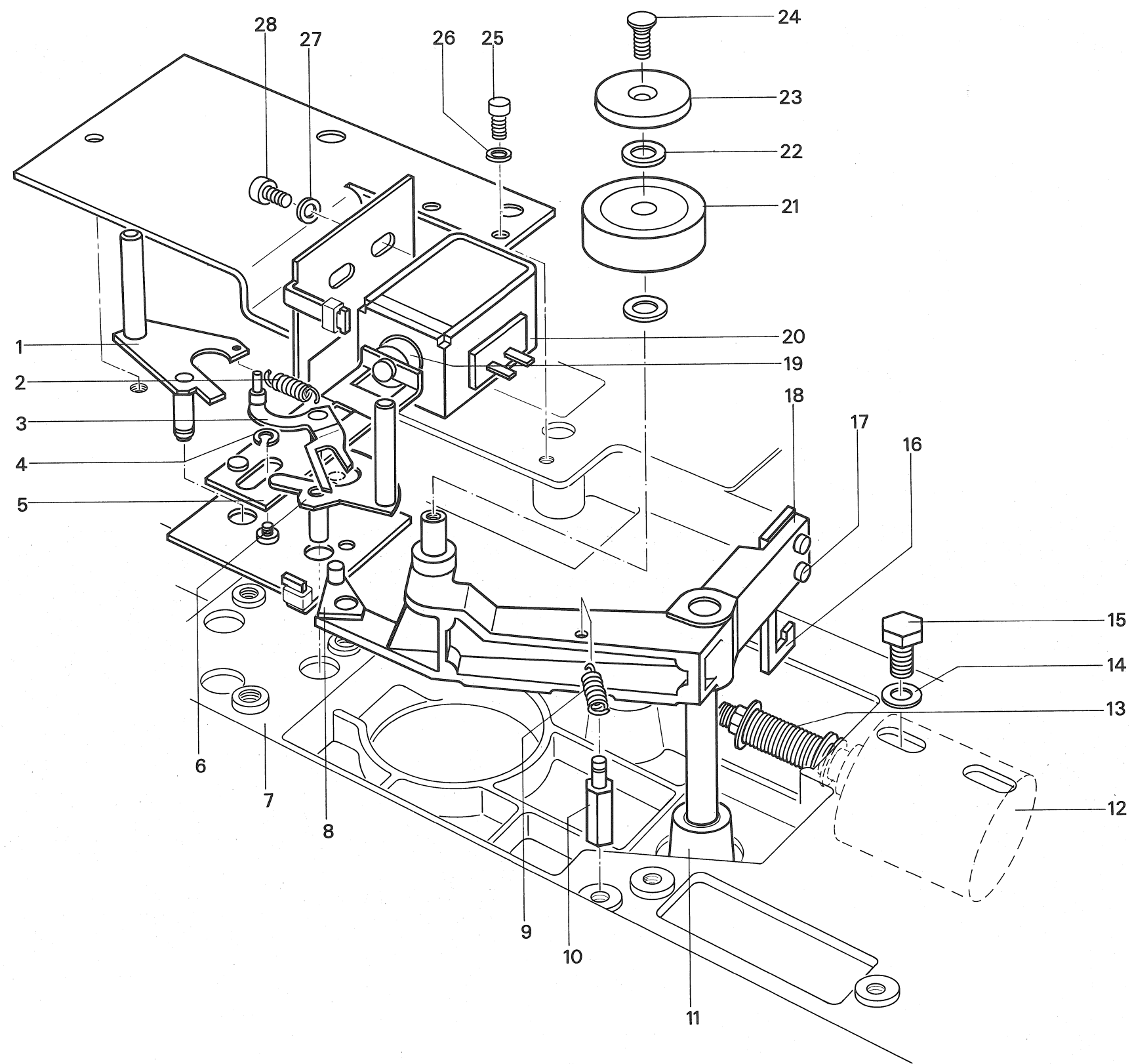
7.5 KOPFTRÄGER / HEAD CHASSIS



KOPFTRÄGER / HEAD CHASSIS

POS	QTY	ORDER NUMBER	PART NAME	SPECIFICATION
1	1	1.050.300.03	Cover / Sensor	
2	2	21.26.0353	Philips head screw M3x5	
3	1	1.050.313.00	Counter sensor	
4	2	21.26.0277	Phil. head screw M2,5x4	
5	1	1.020.316.00	Counter move sensor PCB	
6		1.116.089.04	Erase head 1/1-TRK	
		1.116.098.04	Erase head 2/2-TRK	
		1.116.099.04	Erase head 2/4-TRK	
7	1	1.116.098.02	Bolt/Erase head	
8	1	24.16.1040	Lock washer	
9	1	24.16.1030	Lock washer	
10	1	21.26.0455	Philips head screw M4x8	
11	1	21.26.0356	Philips head screw M3x10	
12	4	21.26.0354	Philips head screw M3x6	
13	1	1.021.606.82	Capstan motor	
14	1	1.777.100.18	Bracket	
15	1	24.16.1030	Lock washer	
16	1	21.26.0355	Philips head screw M3x8	
17		1.050.300.00	Head chassis 2/2-TRK	
		1.050.304.00	Head chassis 2/4-TRK	
18	1	21.26.0456	Philips head screw M4x10	
19	1	24.16.1040	Lock washer	
20	3	21.26.0459	Philips head screw M4x18	
21	1	1.010.077.37	Pres. spring 15,6x14,5	
22	1	1.050.300.09	Cover	
23	1	1.077.121.04	Ring plain	
24	2	1.077.121.02	Cap guiding	
25	1	1.050.300.04	Screw shoulder	
26	2	1.010.148.27	Threaded pin M4x25	
27	2	21.14.0355	Fillister screw M3x8	
28	2	23.15.1032	Flat washer	
29	2	24.16.1030	Lock washer	
30	2	21.26.0201	Fillister screw M2x3	
31	1	1.077.165.00	Lid shield playback head	
32	2	1.077.145.01	Disc guide	
	1	1.077.145.02	Sleeve spacer	
	1	1.020.310.00	Support tape guide pin	
	1	1.020.820.12	Pressure spring	
	1	22.15.8030	Hex nut M3	
33		1.116.017.00	Playback head 1/1-TRK	
		1.116.027.00	Playback head 2/2-TRK	
		1.116.047.00	Playback head 2/4-TRK	
34	2	21.26.0354	Philips head screw M3x6	
35	2	1.116.012.05	Washer	
36	4	1.077.155.07	Plastic pin	
37	2	1.077.155.05	Shield outer	
	2	1.077.155.06	Shield inner	
38	2	1.050.320.00	Light gate compl.	
39		1.116.012.00	Record head 1/1-TRK	
		1.116.022.00	Record head 2/2-TRK	
		1.116.042.00	Record head 2/4-TRK	
40	1	1.050.311.00	Idler roller	
41	1	1.116.099.02	Mount. screw/Erase head	
42	1	1.050.312.00	Light gate compl.	
43	2	21.26.0353	Philips head screw M3x5	
44	1	21.26.0354	Philips head screw M3x6	

7.6 ANDRUCKAGGREGAT UND BANDABHEBUNG / ROLLER ASSEMBLY



ANDRUCKAGGREGAT UND BANDABHEBUNG / ROLLER ASSEMBLY

POS	QTY	ORDER NUMBER	PART NAME	SPECIFICATION
1	1	1.777.233.00	Lever left	
	1	24.16.3023	Retaining clip	
2	1	1.777.245.01	Tension spring	
3	1	1.777.234.00	Lever	
4	1	24.16.3032	Retaining clip	
5	1	1.777.235.00	Slider	
6	1	1.777.232.00	Lever right	
	1	24.16.3019	Shaft lock	
	1	24.16.3040	Retaining clip	
7	1	1.777.100.01	Tape transport chassis	
8	1	1.777.121.02	Dog pin	
9	1	1.010.133.37	Tension spring	
10	1	1.067.100.06	Pin / spring anchor	
11	1	1.177.125.00	Bearing pressure arm	
12	1	1.014.710.00	Solenoid	
13	1	1.777.122.00	Plunger	
14	2	24.16.1040	Lock washer	
15	2	21.01.4455	Head screw M4x8	
16	1	1.177.120.02	Lever	
17	2	21.26.0455	Philips head screw M4x8	
18	1	1.777.121.00	Pinch roller arm	
19	1	1.014.812.00	Plunger	
20	1	1.014.850.00	Solenoid	
21	1	1.167.178.82	Pinch roller	
22	2	1.736.200.04	Teflon spacer	
23	1	1.177.100.25	Cap pinch roller	
24	1	21.27.2355	Cross head screw	
25	3	21.26.0354	Philips head screw M3x6	
26	3	24.16.1030	Lock washer	
27	2	24.16.1030	Lock washer	
28	2	21.26.0353	Philips head screw M3x5	