

*Quality. Uncompromised.*

**ROTEL®**

**PUBLIC ADDRESS  
AMPLIFIER WITH  
AM/FM TUNER**

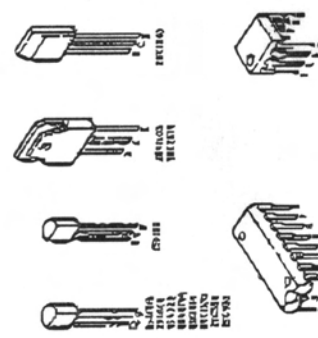
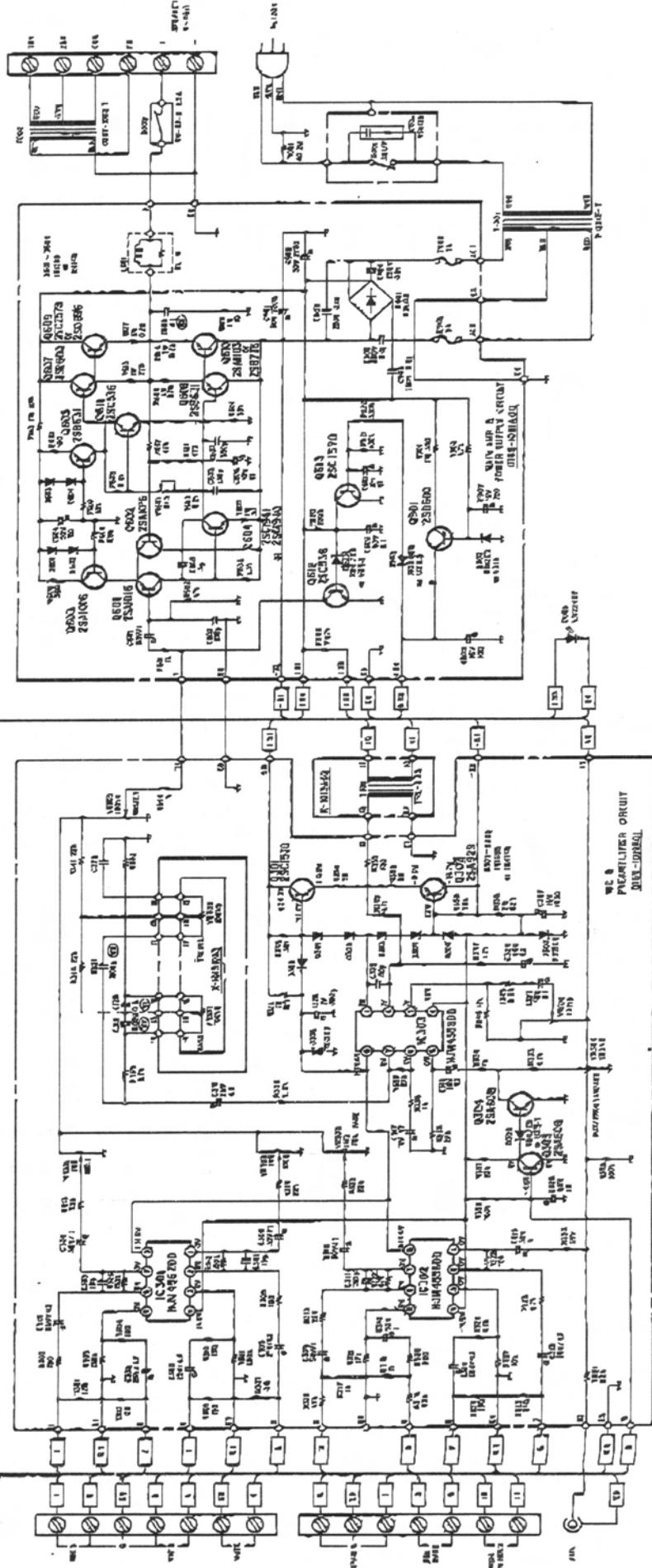
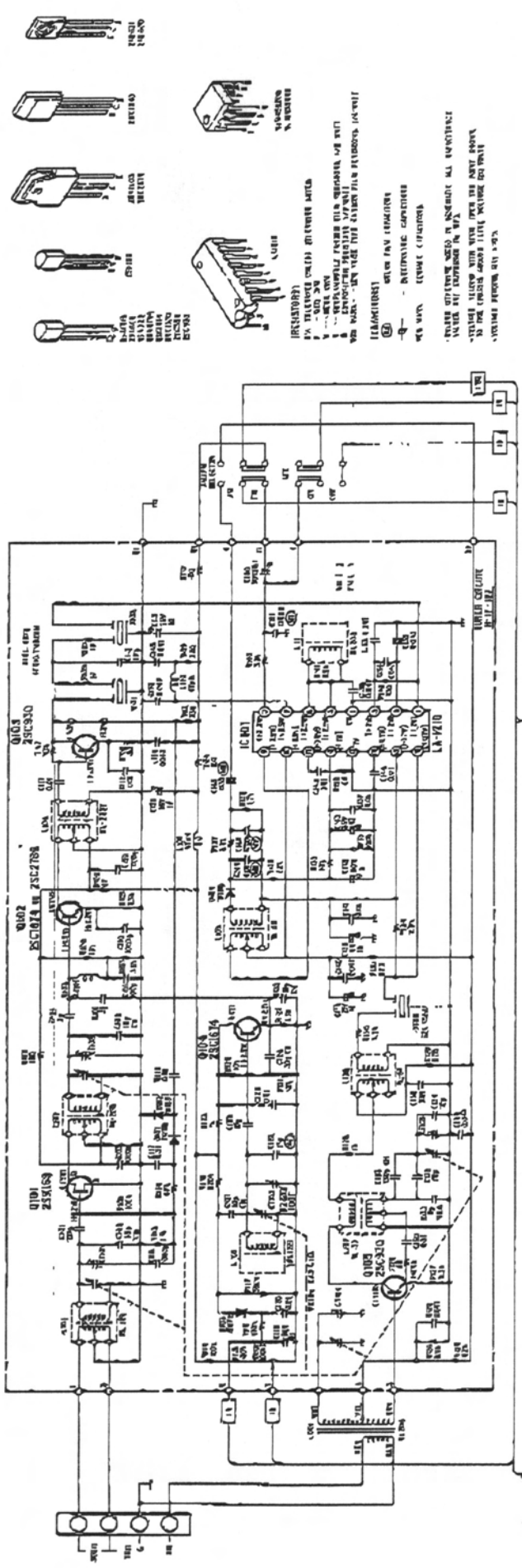
**QA-40B**

## REPAIR PARTS LIST

Schematic Location	Computer No.	Description
Q101	TR50000139	2SK168-F, FM RF Amp.
Q102	TR30000133	2SC1674, FM Mix.
Q103	TR30000339	2SC930, FM IF Amp.
Q104	TR30000133	2SC1674, FM OSC
Q105	TR30000339	2SC930, AM OSC
Q301	TR30000431	2SC1570, Music Amp.
Q302	TR10000102	2SA 929, Music Amp.
Q303, 304	TR10000126	2SA608K, Music Mute Control
Q601, 602	TR10000023	2SA1016, Differential Amp.
Q603	TR10000023	2SA1016, Constant Current Source
Q604	TR30000169	2SC1941, Pre-Driver
Q605	TR10000047	2SB631K Main Amp. Compensation
Q607	TR40000069	2SD800K Drive
Q608	TR10000047	2SB621K Drive
Q609	TR40000021	2SD896, Main Amp. (power)
Q610	TR20000014	2SB776, Main Amp. (power)
Q611	TR30000327	2SC536G, Main Amp. Compensation
Q612	TR30000327	2SC536G, Muting Circuit
Q613	TR30000431	2SC1570, Muting Circuit
Q901	TR40000069	2SD800K, Stabilizer
D101	DD10000111	1K-188, FM AGC Det.
D102	DD10000111	1K-188, FM AGC Det.
D103	DD50000080	1SV72, FM AGC Det.
D104	DD10000111	1K-188, AM AGC Det.
D301 - 306	DD10000100	1N4148, Bias Compensation
D307	DD20000090	UZ-15B(L), Bias Diode
D308	DD20000090	UZ-15B(L), Bias Diode
D309	DD20000200	UZ-5.1(B), Mute Control
D601, 602	DD10000100	1N4148, Bias Compensation
D603, 604	DD10000100	1N4148, Bias Compensation
D605	DD20000200	UZ-5.1(B) Muting Circuit
D901	DD10000020	KBL-02, Rectifier
D902	DD20000016	UZ-12B(M, H), Bias Diode
D903	DD20000065	UZ-6.8B(M, H), Bias Diode
D001	DD40000095	LN224RP Power IND.
IC101	IC00001358	LA1210, FM IF Amp. FM Det.
IC301	IC00001000	NJM4562DD, MIC1/MIC2 Amp.
IC302	IC00000019	NJM4558DD, TELPAGE Amp.
IC303	IC00000019	NJM4558DD, Aux Amp.

Schematic Location	Computer No.	Description
L001	LB02060000	RL-206, AM Ant Coil
L101	LC01990004	RL-199, FM Ant Coil
L102	LC02000000	RL-200, FM RF Coil
L103	LM00000073	2.2 $\mu$ H TRL-239, FM IF Trap Coil
L104	LC02330000	RL-233T, FM IFT
L105	LC21890003	TRL-189, FM OSC Coil
L106	LM00000024	47 $\mu$ H TRL-236, Choke Coil
L107	LC10390002	RL-39T, AM RF Coil
L108	LC10670000	RL-67T, AM OSC Coil
L109	LC10680004	RL-68T, AM IFT Coil
L110	LM00000024	47 $\mu$ H TRL-236, Choke Coil
L111	LC22081005	RL-208A-T, AM IFT
L601, 602	LC00410004	RL-41, Auto-Parasitic
X101, 102	LF00000166	SFE 10.7MS 2GA (RED), 10.7MHz Ceramic Resonator
X103	LF00000210	SFU455A, 455KHz Ceramic Resonator
CT103	CF00000226	TZ03 Z100F, FM OSC Adj
VR101	RV20000168	5BM-10KB, AFC Adj
VR301	RV10000573	4TR-1886A, 1MB, MIC1 Volume Control
VR302	RV10000573	4TR-1886A, 1MB, MIC2 Volume Control
VR303	RV10000573	4TR-1886A, 1MB TELPAGE Volume Control
VR304	RV10000822	4TR-2134, 250KB, AUX/TUNER Volume Control
VR305	RV10000792	4TR-2130, 100KA, MASTER Volume Control
VR306	RV20000181	0B-301 100KB, Signal Control
VR307, 308	RV10000810	4TR-2133 100KB x 1, BASS, TREBLE Control
S1	SH20000230	AM/FM Selector Switch
S001	SH40000120	C-3600B-T Power Switch
T001	PT13901103	T-139AF-T, Power Transformer
T002	PT10020008	T-1002-T, Output Transformer
	FS20000079	QA-40 Front Panel Assembly
	KB10000286	C-3406A #1, Knob 20F
	KB10001140	4MN-6, Knob 27F
	KB20000106	C-3372 #1, Push Button 4 x 14
	KB20000120	C-3479 #1, Slide Knob
	AUG0000531	3MN-5A, Upper Cover

# SCHEMATIC DIAGRAM (QA-40B/DA-40B)



**NOTES:**

1. All components are standard unless otherwise specified.
2. All dimensions are in inches unless otherwise specified.
3. All tolerances are as shown unless otherwise specified.
4. All materials are standard unless otherwise specified.
5. All finishes are standard unless otherwise specified.
6. All markings are standard unless otherwise specified.
7. All labels are standard unless otherwise specified.
8. All drawings are standard unless otherwise specified.
9. All specifications are standard unless otherwise specified.
10. All requirements are standard unless otherwise specified.

