



# Technical Manual

# STEREO INTEGRATED AMPLIFIER RA-06SEv02

### Table of Contents

- Specification.....1
- Parts List .....2~7
- Adjustment.....8
- PCB Assembly .....9
- Schematic Diagram .....10~11

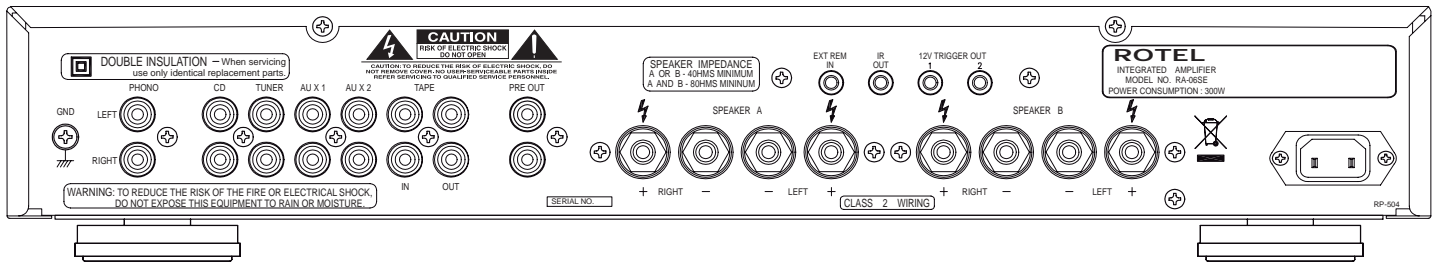
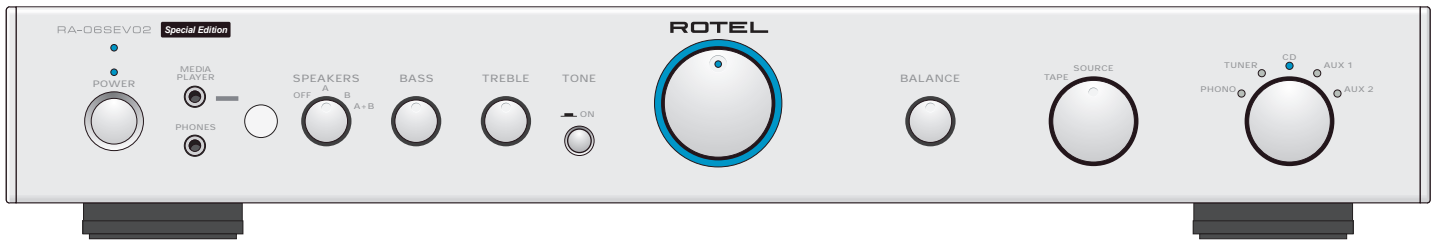
### Specifications

|  |   |
|--|---|
| <b>Continuous Power Output</b><br>(20-20 kHz, < 0.03%, 8 ohms) | 70 watts/ch                                   |
| <b>Total Harmonic Distortion (20Hz - 20kHz)</b>                | < 0.03% at rated power 1/2 power or 1 watt    |
| <b>Intermodulation Distortion (60 Hz : 7 kHz, 4:1)</b>         | < 0.03% at rated power 1/2 power or 1 watt    |
| <b>Frequency Response</b>                                      |   |
| Phono Input  | 20Hz-15kHz, ±0.3dB                            |
| Line Level Inputs  | 10Hz-100kHz±1dB                               |
| <b>Damping Factor (20-20,000 Hz, 8 ohms)</b>                   | 180   |
| <b>Input Sensitivity / Impedance</b>                           |   |
| Phono Input  | 2.5mV / 47 kOhms                              |
| Line Level Inputs  | 150 mV / 24 kOhms                             |
| <b>Input Overload</b>  |   |
| Phono Input  | 180mV   |
| Line Level Inputs  | 5V  |
| <b>Premp Output / Impedance</b>                                | 1V / 470 Ohms                                 |
| <b>Tone Controls - Bass / Treble</b>                           | ±6 dB at 100Hz / 10kHz                        |
| <b>Signal to Noise Ratio (IHF "A" weighted)</b>                |   |
| Phono Input  | 80 dB   |
| Line Level Inputs  | 100 dB  |
| <b>Power Requirements</b>                                      |   |
| USA Version  | 120 Volts, 60 Hz                              |
| European Version   | 230 Volts, 50 Hz                              |
| <b>Power Consumption</b>                                       | 300 Watts, 36 W - Idle, 3.7 W - Standby       |
| <b>Dimensions (W x H x D)</b>                                  | 437 x 92 x 342 mm<br>17 1/8 x 3 5/8 x 13 1/2" |
| <b>Panel Height</b>  | 80 mm / 3 1/16"                               |
| <b>Weight (net)</b>  | 7.7 kg, 17 lbs.                               |

## THE ROTEL CO., LTD

2F 6-12-21 MEGUROHON-CHO, MEGURO-KU,  
TOKYO 152-0002, JAPAN

|                          |           |
|--------------------------|-----------|
| Serial. NO.<br>Beginning | 0111001 ~ |
|--------------------------|-----------|



| SYMBOL                           | PARTS NO.          | DESCRIPTION                                     |
|----------------------------------|--------------------|---|
| <b>016 X-1446E01-11 PCB ASSY</b> |                    |   |
|                                  | 501 X-1446E-3      | PCB ASSY (MAIN)                                 |
| Q601/603,602/604,607/609,608/610 | 019 C-4334A04      | TRANSISTOR CAP TP752522                         |
| C901                             | 019 C-4357A03      | CAPACITOR COVER                                 |
| L601,602                         | 021 TRL-332        | SPEAKER COIL 1F                                 |
| X701                             | 023 CR0100302      | RESONATOR CSALF4M19G55-B0                       |
| IC703                            | 031 IC0006700      | IC LB1641 (MOTOR DRIVE)                         |
| IC651                            | 031 IC0008601      | IC UPC1237 (PROTECTION) (501 E-1471 assy)       |
| IC401                            | 031 IC0008802      | IC NE5532AP (OPE DUAL)                          |
| IC504                            | 031 IC0009300      | IC NJM2114D (OPE DUAL)                          |
| IC901                            | 031 IC0011204      | IC KIA78L05BP                                   |
| IC503                            | 031 IC0012600      | IC OPA2277PA                                    |
| IC502                            | 031 IC0012700      | IC OPA2604AP                                    |
| IC751                            | 031 IC0012901      | IC PC817X2NSZW                                  |
| IC702                            | 031 IC0016000      | IC TC74HC595AP                                  |
| IC501                            | 031 IC0016601      | IC TC9163ANG                                    |
| IC701                            | 031 IC0018101      | IC TMP47C400BN-1A57 (MICON)                     |
| Q625,626                         | 032 A1837          | TRANSISTOR 2SA1837                              |
| Q623,624                         | 032 C4793          | TRANSISTOR 2SC4793                              |
| Q654-656                         | 032 TA608-FG       | TRANSISTOR 2SA608KAA-FG                         |
| Q651,652                         | 032 TC2362-FG      | TRANSISTOR 2SC2362KAA-FG                        |
| Q903                             | 032 TC3708-ST      | TRANSISTOR 2SC3708AA-ST                         |
| Q691,751,902                     | 032 TC536-FG       | TRANSISTOR 2SC536KAA-FG                         |
| Q613,614,901,905                 | 033 B631-EF        | TRANSISTOR 2SB631K-EF(PAIR 2SD600K)             |
| Q615,616,904,906                 | 033 D600-EF        | TRANSISTOR 2SD600K-EF(PAIR 2SB631K)             |
| Q611,612                         | 033 TA1016-FG      | TRANSISTOR 2SA1016KAA-FG(PAIR 2SC2362K)         |
| Q607-610                         | 033 TA1016-G       | TRANSISTOR 2SA1016KAA-G(G ONLY) (PAIR 2SC2362K) |
| Q621,622                         | 033 TA1207-ST      | TRANSISTOR 2SA1207S/T-AA(PAIR 2SC2909)          |
| Q605,606                         | 033 TC2362-FG      | TRANSISTOR 2SC2362KAA-FG(PAIR 2SA1016K)         |
| Q601-604                         | 033 TC2362-G       | TRANSISTOR 2SC2362KAA-G(G ONLY) PAIR PAIR       |
| Q619,620                         | 033 TC2909-ST      | TRANSISTOR 2SC2909S/T-AA(PAIR 2SA1207)          |
| D901                             | 034 DB0000400      | POWER DIODE BR84 (8A 400V)                      |
| D609-612,903,904                 | 034 DD0000200      | DIODE T1N4004-TB                                |
| D601-608,651-653,706,721,722     | 034 DD0000300      | DIODE T1N4148-86                                |
| D691-693,707-720,723-726,728,751 | 034 DD0000300      | DIODE T1N4148-86                                |
| D902,908,654                     | 034 DD0000300      | DIODE T1N4148-86                                |
| D907                             | 034 DZ0100121      | ZENER DIODE HZS12NB3                            |
| D909,910                         | 034 DZ0100151      | ZENER DIODE HZS15NB3                            |
| D905,906                         | 034 DZ0100181      | ZENER DIODE HZS18NB3                            |
| D727                             | 034 DZ0104R71      | ZENER DIODE TRD4.7JST1                          |
| D701-705                         | 034 LE0002100      | LED LA31534aB3YMZ BLUE                          |
| TH652                            | 034 TH0000400      | THERMISTOR TTC-503 50K                          |
| R906                             | 034 TRD3.9HST1     | ZENER DIODE                                     |
| F901,902                         | 036 5T6.3L-250V    | FUSE 250VT6.3AL                                 |
| C501,502                         | 041 35ZA10MTZ      | ELECTROLYTIC CAPACITOR 35V10UF                  |
| C601,602                         | 041 35ZA4R7MTZ     | ELECTROLYTIC CAPACITOR 35V4.7UF                 |
| C607,608                         | 041 50ZL100M       | ELECTROLYTIC CAPACITOR 50V100UF                 |
| C906,907                         | 041 ALC20S1044DG   | ELECTROLYTIC CAPACITOR 50V10000UF               |
| C515,516,920,921,C11             | 041 EEUFC1E101SB   | ELECTROLYTIC CAPACITOR 25V100UF                 |
| C413,414,505,506,521,522,529,530 | 041 EEUFC1E221B    | ELECTROLYTIC CAPACITOR 25V220UF                 |
| C922,923                         | 041 EEUFC1E221B    | ELECTROLYTIC CAPACITOR 25V220UF                 |
| C411,412,523,524,527,528         | 041 EEUFC1H100LB   | ELECTROLYTIC CAPACITOR 50V10UF                  |
| C918,919                         | 041 EEUFC1V102     | ELECTROLYTIC CAPACITOR 35V1000UF                |
| C705                             | 041 TUTES0J222-7TS | ELECTROLYTIC CAPACITOR 6.3V2200UF               |
| C653,914,915,917                 | 041 TUTES1E101-7TF | ELECTROLYTIC CAPACITOR 25V100UF                 |
| C654,710                         | 041 TUTES1E470-7TF | ELECTROLYTIC CAPACITOR 25V47UF                  |
| C916                             | 041 TUTES1H010-7TF | ELECTROLYTIC CAPACITOR 50V1UF                   |
| C651,652 ,910                    | 041 TUTES1H100-7TF | ELECTROLYTIC CAPACITOR 50V10UF                  |
| C711                             | 041 TUTES1H2R2-7TF | ELECTROLYTIC CAPACITOR 50V2.2UF                 |
| C913                             | 041 TUTES1H471-7TS | ELECTROLYTIC CAPACITOR 50V470UF                 |
| C703                             | 041 TUTES1H4R7-7TF | ELECTROLYTIC CAPACITOR 50V4.7UF                 |
| C403,404                         | 041 U25V10LN       | ELECTROLYTIC CAPACITOR UKL                      |

| SYMBOL                   | PARTS NO.          | DESCRIPTION                             |
|--------------------------|--------------------|---|
| C513,514                 | 042 TP50V152JE     | MYLAR CAPACITOR 0.0015UF                |
| C517,518                 | 042 TP50V472JE     | MYLAR CAPACITOR 0.0047UF                |
| C902-905,908,909         | 043 TC500V103      | CERAMIC CAPACITOR 500V0.01UF            |
| C707-709                 | 043 TC50V103       | CERAMIC CAPACITOR 50V0.01UF             |
| C415                     | 043 TC50V473       | CERAMIC CAPACITOR 50V0.047UF            |
| C701,702                 | 043 TC50VCH330     | CERAMIC CAPACITOR 50V33PF               |
| C901                     | 044 DE2E3KH472MA3B | SPARK KILLER                            |
| C507-512                 | 044 ECQV1H104JL    | SF CAPACITOR 50V0.1UF                   |
| C401,402                 | 044 FSC160V151H    | POLYSTYRENE CAPACITOR 160V150PF         |
| C617,618                 | 044 FSC160V221H    | POLYSTYRENE CAPACITOR 160V220PF         |
| C609,610                 | 044 FSC160V331H    | POLYSTYRENE CAPACITOR 160V330PF         |
| C603,604                 | 044 FSCEX160V101H  | POLYSTYRENE CAPACITOR 160V100PF         |
| C503,504,519,520         | 044 FSCEX160V470H  | POLYSTYRENE CAPACITOR 160V47PF          |
| C613-616                 | 044 FSCEX160V471H  | POLYSTYRENE CAPACITOR 160V470PF         |
| C405,406                 | 044 G92J102F0      | PP CAPACITOR MKP1839-210/631 630V1000PF |
| C619,620,704             | 044 KT18-2A104K    | M.P CAPACITOR MKT1818-410/015           |
| C407,408                 | 044 S50V200PG      | STYROL CAPACITOR 50V200PF(G)            |
| C525,526                 | 044 S50V220PJ      | STYROL CAPACITOR 50V220PF(J)            |
| C409,410                 | 044 S50V4300PG     | STYROL CAPACITOR 50V4300PF(G)           |
| VR503,VR504              | 051 4TR-2774#1     | VARIABLE RESISTOR 20KXB2                |
| VR501                    | 051 4TR-2776#1     | VARIABLE RESISTOR 100KMN                |
| VR502                    | 051 C-4170A35      | VR 50KAX2WITH MOTOR                     |
| VR601,VR602              | 051 SFR001-222     | SEMI-FIXED RESISTOR 2.2K                |
| R917                     | 053 CR14-104J-A    | CARBON RESISTOR CR14 100K               |
| R682,906                 | 053 CR14-154J-A    | CARBON RESISTOR CR14 150K               |
| R913                     | 053 CR14-222J-A    | CARBON RESISTOR CR14 2.2K               |
| R694                     | 053 CR14-272J-A    | CARBON RESISTOR CR14 2.7K               |
| R914                     | 053 CR14-822J-A    | CARBON RESISTOR CR14 8.2K               |
| R709,754                 | 053 CR16-100J-A    | CARBON RESISTOR CR16 10                 |
| R753                     | 053 CR16-101J-A    | CARBON RESISTOR CR16 100                |
| R751,752                 | 053 CR16-102J-A    | CARBON RESISTOR CR16 1K                 |
| R703,704,711-714,716     | 053 CR16-104J-A    | CARBON RESISTOR CR16 100K               |
| R705                     | 053 CR16-124J-A    | CARBON RESISTOR CR16 120K               |
| R707                     | 053 CR16-153J-A    | CARBON RESISTOR CR16 15K                |
| R756                     | 053 CR16-183J-A    | CARBON RESISTOR CR16 18K                |
| R755                     | 053 CR16-333J-A    | CARBON RESISTOR CR16 33K                |
| R701,702,710,715,717-720 | 053 CR16-472J-A    | CARBON RESISTOR CR16 4.7K               |
| R706                     | 053 CR16-473J-A    | CARBON RESISTOR CR16 47K                |
| R919,920                 | 054 1WS1.2KJF      | MOF RESISTOR 1.2K                       |
| R904                     | 054 1WS150JF       | MOF RESISTOR 150                        |
| R691,692,907,908         | 054 1WS330JF       | MOF RESISTOR 330                        |
| R916                     | 054 1WS560JF       | MOF RESISTOR 560                        |
| R651,652                 | 054 2WS10JF        | MOF RESISTOR 10                         |
| R643-650                 | 054 NIR2-0.22JF    | NON-INDUCTIVE RESISTOR 2W 0.22          |
| R527,528                 | 054 TMF1001        | METAL RESISTOR 1/4W 1K                  |
| R902                     | 054 TMF1002        | METAL RESISTOR 1/4W 10K                 |
| R903                     | 054 TMF1003        | METAL RESISTOR 1/4W 100K                |
| R523,524,539,540,677,678 | 054 TMF16-1003     | METAL RESISTOR 1/6W 100K                |
| R535,536,671,672         | 054 TMF16-1201     | METAL RESISTOR 1/6W 1.2K                |
| R683,684                 | 054 TMF16-1203     | METAL RESISTOR 1/6W 120K                |
| R515,516,519,520         | 054 TMF16-1501     | METAL RESISTOR 1/6W 1.5K                |
| R517,518,665,666,679,681 | 054 TMF16-1502     | METAL RESISTOR 1/6W 15K                 |
| R511,512,537,538         | 054 TMF16-2001     | METAL RESISTOR 1/6W 2K                  |
| R509,510                 | 054 TMF16-2201     | METAL RESISTOR 1/6W 2.2K                |
| R513,514                 | 054 TMF16-2202     | METAL RESISTOR 1/6W 22K                 |
| R661,662,670             | 054 TMF16-2702     | METAL RESISTOR 1/6W 27K                 |
| R521,522                 | 054 TMF16-4700     | METAL RESISTOR 1/6W 470                 |
| R674                     | 054 TMF16-4701     | METAL RESISTOR 1/6W 4.7K                |
| R675,676                 | 054 TMF16-4702     | METAL RESISTOR 1/6W 47K                 |
| R680                     | 054 TMF16-5602     | METAL RESISTOR 1/6W 56K                 |
| R668,673                 | 054 TMF16-6800     | METAL RESISTOR 1/6W 680                 |
| R663,664                 | 054 TMF16-8203     | METAL RESISTOR 1/6W 820K                |

| SYMBOL                           | PARTS NO.                     | DESCRIPTION                        |
|----------------------------------|-------------------------------|------------------------------------|
| R911,912                         | 054 TMF2700                   | METAL RESISTOR 1/4W 270            |
| R641,642                         | 054 TMF3300                   | METAL RESISTOR 1/4W 330            |
| R905                             | 054 TMF3301                   | METAL RESISTOR 1/4W 3.3K           |
| R909,910                         | 054 TMF3901                   | METAL RESISTOR 1/4W 3.9K           |
| R505,506                         | 054 TMF4700                   | METAL RESISTOR 1/4W 470            |
| R901                             | 054 TMF4702                   | METAL RESISTOR 1/4W 47K            |
| R415,416,631,632                 | 054 TMFR4001KI                | METAL RESISTOR MFR4 1K             |
| R405,406                         | 054 TMFR401K2I                | METAL RESISTOR MFR4 1.2K           |
| R607-610,615-618                 | 054 TMFR401K5I                | METAL RESISTOR MFR4 1.5K           |
| R693                             | 054 TMFR4022KI                | METAL RESISTOR MFR4 22K            |
| R553,554,557,558,561,562,565,566 | 054 TMFR4027KI                | METAL RESISTOR MFR4 27K            |
| R507,508                         | 054 TMFR402K2I                | METAL RESISTOR MFR4 2.2K           |
| R627,628                         | 054 TMFR403K9I                | METAL RESISTOR MFR4 3.9K           |
| R603,604,621,622                 | 054 TMFR4047KI                | METAL RESISTOR MFR4 47K            |
| R633,634                         | 054 TMFR4047RI                | METAL RESISTOR MFR4 47             |
| R407,408                         | 054 TMFR404K7I                | METAL RESISTOR MFR4 4.7K           |
| R409,410                         | 054 TMFR4056KI                | METAL RESISTOR MFR4 56K            |
| R417,418,525,526,531,532         | 054 TMFR4100KI                | METAL RESISTOR MFR4 100K           |
| R623,624,629,630                 | 054 TMFR4100RI                | METAL RESISTOR MFR4 100            |
| R611,612,619,620,637-640         | 054 TMFR4220RI                | METAL RESISTOR MFR4 220            |
| R551,552,555,556,559,560,563,564 | 054 TMFR4470RI                | METAL RESISTOR MFR4 470            |
| R921,922                         | 054 TMFR4470RI                | METAL RESISTOR MFR4 470            |
| R413,414                         | 054 TMFR4680RI                | METAL RESISTOR MFR4 680            |
| R411,412                         | 054 TMFR4910KI                | METAL RESISTOR MFR4 910K           |
| R635,636                         | 054 TPR9372-012KD             | METAL RESISTOR PR9372 12K          |
| R503,504                         | 054 TPR9372-100KD             | METAL RESISTOR PR9372 100K         |
| R501,502                         | 054 TPR9372-470RD             | METAL RESISTOR PR9372 470          |
| R529,530                         | 054 TPR9372-560RD             | METAL RESISTOR PR9372 560          |
| R533,534                         | 054 TRC55D1000C               | METAL RESISTOR RC55D 100           |
| R401,402                         | 054 TRC55D1001C               | METAL RESISTOR RC55D 1K            |
| R541,542                         | 054 TRC55D4700C               | METAL RESISTOR RC55D 470           |
| R403,404                         | 054 TRC55D4702C               | METAL RESISTOR RC55D 47K           |
| R601,602,613,614                 | 054 TRC55D5600C               | METAL RESISTOR RC55D 560           |
| R625,626                         | 054 TRC55D6801C               | METAL RESISTOR RC55D 6.8K          |
| S502                             | 061 C-4172A14                 | PUSH SWITCH SPUN194900             |
| S901                             | 061 C-4176A08                 | POWER SWITCH TV-8                  |
| S501                             | 062 4TR-2780                  | ROTARY SWITCH SRRZS42N23           |
| S601                             | 062 4TR-3089                  | ROTARY SWITCH SRRZS44N01           |
| S701                             | 062 C-4174A13                 | ROTARY SWITCH SRRM1C7900           |
| RY601,RY602                      | 063 DH2TU-24                  | RELAY DH24D2-OT(M)                 |
| RY901                            | 063 DH2U-24                   | RELAY DH24D2-O(M)                  |
| RY603                            | 063 EA2-24NU                  | RELAY                              |
| HJ1,MP1                          | 065 C-4939A01                 | 3.5F MINI JACK PJ-315              |
| HJ2-5                            | 065 YKB21-5406N               | 3.5DIA MINIATURE JACK (ST)         |
| PJ1,5                            | 066 4TR-2166#4                | 2P PIN JACK AU (WHITE/RED)         |
| PJ2-PJ4                          | 066 4TR-2408#3                | 4P PIN JACK AU (WHITE/RED)         |
| SPA,SPB                          | 067 C-4493B00                 | 4P SPEAKER TERMINAL (W/HOLE) RBBR  |
| D3                               | 068 B2B-EH                    | CONNECTOR POST 2P                  |
| JP5B,JP8B,JP9A,,JM1A,,JM2A       | 068 B3B-PH-KS                 | CONNECTOR POST 3P                  |
| JP2B                             | 068 B4B-PH-KS                 | CONNECTOR POST 4P                  |
| JP1B,JP3B,JP4B                   | 068 B6B-PH-KS                 | CONNECTOR POST 6P                  |
| TP1,TP2                          | 068 C-3683#1                  | PCB TERMINAL 2P P7.5               |
| CON3                             | 068 C-3683#2                  | PCB TERMINAL 3P P7.5               |
| CON2                             | 068 C-3683#3                  | PCB TERMINAL 4P P7.5               |
|                                  | <b>016 E-1580A00 PCB ASSY</b> |                                    |
|                                  | 501 E-1580A-2                 | PCB (POWER SWITCH)                 |
| S901                             | 061 C-4176A08                 | POWER SW PS3-22SPA-P7CZ TV-8 (PCB) |
| CON2                             | 068 C-3683#3                  | PCB TERMINAL 4P P7.5               |
| CON1                             | 068 C-4422A01                 | PCB TERMINAL 2P P10                |
|                                  | <b>016 E-1581A00 PCB ASSY</b> |                                    |
|                                  | 501 E-1581A-2                 | PCB ASSY (STANDBY)                 |

| SYMBOL                        | PARTS NO.          | DESCRIPTION                         |
|-------------------------------|--------------------|-------------------------------------|
| T801                          | 022 T-1119N01-V01  | STANDBY TRANS 11.4V-11mA            |
| IC801                         | 031 IC0011204      | IC KIA78L05BP(TO-92)                |
| (IC802)                       | 031 IC0032500      | IC PIC10F202 STANDBY CPU            |
| Q801,802                      | 032 TC536-FG       | TRANSISTOR 2SC536KAA-FG             |
| D801                          | 034 DB0000100      | POWER DIODE W02M (1.5A 200V)        |
| D803,804                      | 034 DD0000300      | DIODE 1N4148 (AMMO) WA 150mA 75V    |
| (AC115V),(AC230V)             | 036 R251-062MXL    | AXIAL FUSE 62MA R251.062MXL         |
| C807-809                      | 041 TUTES1E470-7TF | ELECTROLYTIC CAPACITOR 25/47        |
| C806                          | 041 TUTES1E471-7TS | ELECTROLYTIC CAPACITOR 25/470       |
| C802                          | 043 TC500V103      | CERAMIC CAPACITOR 500V0.01UF        |
| C805                          | 043 TC50V103       | CERAMIC CAPACITOR 50V0.01UF         |
| C801                          | 044 DE2E3KH472MA3B | SPARK KILLER 4700PF                 |
| R805,806                      | 054 TMF16-1000     | METAL RESISTOR 1/6W 100             |
| R802                          | 054 TMF16-1002     | METAL RESISTOR 1/6W 10K             |
| R801                          | 054 TMF16-10R0     | METAL RESISTOR 1/6W 10              |
| (R803)                        | 054 TMF16-3302     | METAL RESISTOR 1/6W 33K             |
| R807                          | 054 TMF16-4702     | METAL RESISTOR 1/6W 47K             |
| RY801                         | 063 OZT-SS-112LM1  | RELAY DC12V TV8                     |
| K13                           | 068 B2B-EH         | CONNECTOR POST 2P                   |
| K13                           | 068 B3B-EH         | CONNECTOR POST 3P                   |
| K11                           | 068 B3B-PH-KS      | CONNECTOR POST 3P                   |
| K21,K22                       | 068 C-4422A01      | PCB TERMINAL 2P P10                 |
| <b>016 E-1464A00 PCB ASSY</b> |                    |                                     |
|                               | 501 E-1464A-7      | PCB ASSY (REMOTE EYE)               |
| IC704*                        | 031 IC0019200      | IC RPM7138H9 (REMOTE RECEIVER)      |
| C706*                         | 041 TUTES1E470-7TF | ELECTROLYTIC CAPACITOR 25V47UF      |
| R708*                         | 053 CR16-101J-A    | RESISTOR 1/6W 100                   |
| <b>HEAT SINKER ASSY</b>       |                    |                                     |
|                               | 505 HSRA-06SEV02   | PCB ASSY                            |
|                               | 017 VE3-07A00      | HEAT SINKER BOARD                   |
|                               | 019 TO-3P          | MICA SHEET TBM-51W-15 #9043         |
|                               | 019 ZQ4-07A00      | PVC INSULATION SHEET (C)            |
|                               | 019 ZR4-06A00      | PVC INSULATION SHEET (B)            |
| Q617,Q618                     | 032 D1953          | TRANSISTOR 2SD1953                  |
| Q631,Q632,Q633,Q634           | 033 B817P-DE       | TRANSISTOR 2SB817P-DE               |
| Q627,Q628,Q629,Q630           | 033 D1047P-DE      | TRANSISTOR 2SD1047P-DE              |
| <b>OTHERS</b>                 |                    |                                     |
|                               | 011 FP-665-B       | BLACK PANEL ASSY                    |
|                               | 011 FP-665-S       | SILVER PANEL ASSY                   |
|                               | 012 C-4911A00      | KNOB 15Φ (SLIVER)                   |
|                               | 012 C-4915A00      | KNOB 15Φ (BLACK)                    |
|                               | 012 C-4912A01      | KNOB 25Φ (SLIVER)                   |
|                               | 012 C-4916A01      | KNOB 25Φ (BLACK)                    |
|                               | 012 C-4912A02      | KNOB 25Φ NO MARK (SLIVER)           |
|                               | 012 C-4916A02      | KNOB 25Φ NO MARK (BLACK)            |
|                               | 012 C-4914A01      | KNOB 43Φ W/LED (SLIVER)             |
|                               | 012 C-4918A01      | KNOB 43Φ W/LED (BLACK)              |
|                               | 012 RV4-09A00      | PUSH BUTTON 14Φ (BLACK)             |
|                               | 012 RV4-09A01      | PUSH BUTTON 14Φ (SLIVER)            |
|                               | 012 VR4-06A00      | PUSH BUTTON 7Φ (SLIVER)             |
|                               | 012 VR4-06A01      | PUSH BUTTON 7Φ (BLACK)              |
|                               | 014 C-4550A09      | UPPER COVER (BLACK)                 |
|                               | 014 C-4550A34      | UPPER COVER (SLIVER)                |
|                               | 014 C-4906A01      | ORNAMENT SIDE BOARD H=80mm (SILVER) |
|                               | 014 C-4906A02      | ORNAMENT SIDE BOARD H=80mm (BLACK)  |
|                               | 019 4TSH-19#2      | PLASTIC FOOT 50Φ (BLACK)            |
|                               | 019 VR4-04A00      | BUTTON RING 7Φ (SLIVER)             |
|                               | 019 VR4-04A01      | BUTTON RING 7Φ (BLACK)              |
| T001                          | 022 T-1055U01-V03  | POWER TRANSFORMER                   |
| D001,D002                     | 034 LE0002700      | LED LJS5UBW007J 2F (BLUE)           |
|                               | 069 C-4629A01      | AC 2P INLET 6102.3100 (WIRING)      |

| SYMBOL | PARTS NO.        | DESCRIPTION                        |
|--------|------------------|------------------------------------|
|        | 072 C-4620A03    | AC CORD SET (SVT 18AWG/2C) for USA |
|        | 072 C-4622A02    | AC CORD SET for AUSTRALIA          |
|        | 072 C-4623A02    | AC CORD SET for U.K.               |
|        | 072 C-4624A03    | AC CORD SET for EUROPE             |
|        | 081 ZR3-03A01    | INSIDE CARTON                      |
|        | 081 ZR3-04A01    | SHIPPING CARTON                    |
|        | 081 ZE-209A      | ETHAFOAM MOULDING                  |
|        | 082 OMRA-06SE-81 | OWNER'S MANUAL                     |
|        | 092 RR-AT94C     | REMOTE CONTROL UNIT                |

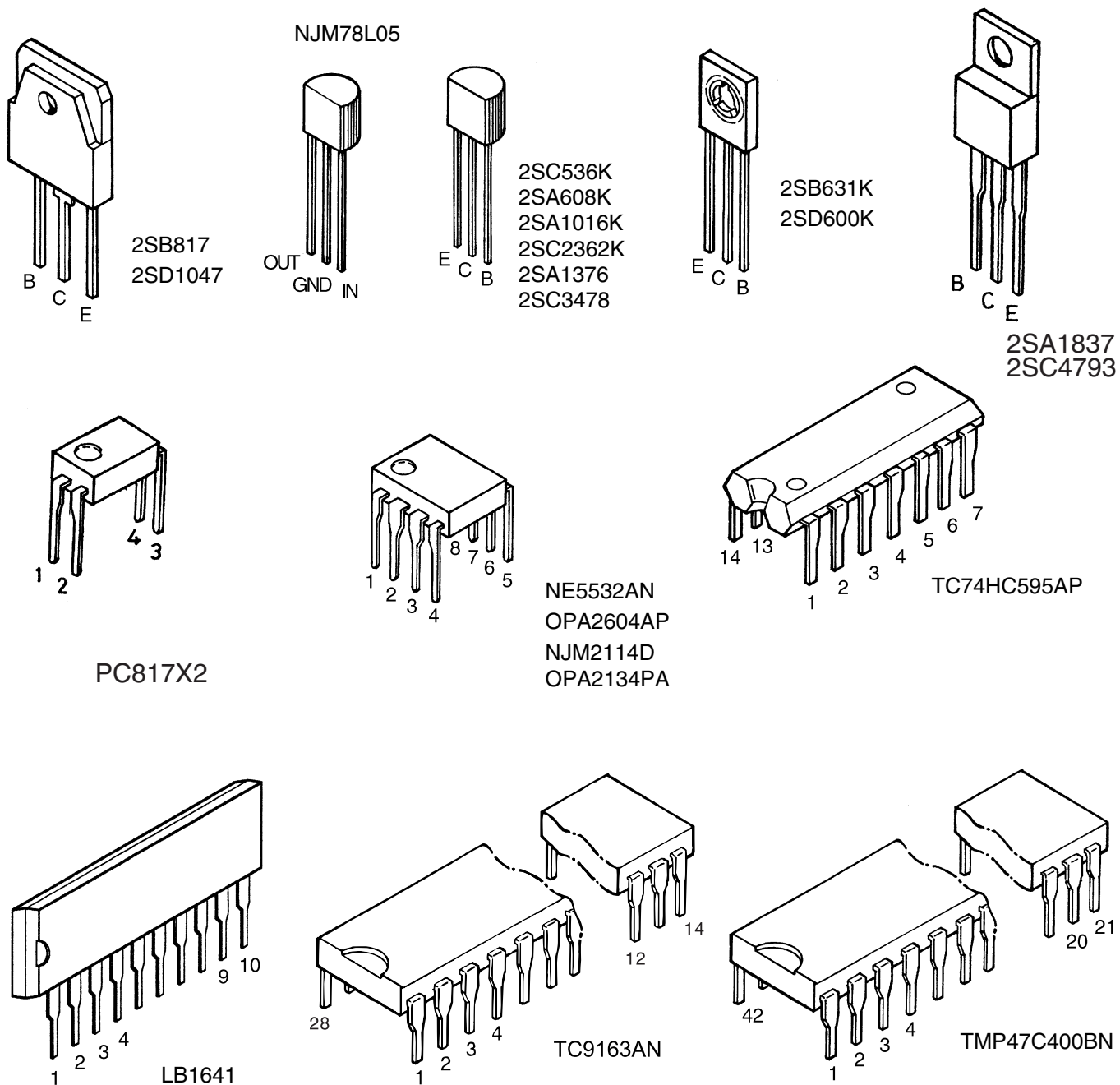
# Adjustment

Instruments : DC milli-voltmeter

Notes : Prior to Bias Adjustment, run about 5minutes with rated output(8ohms) and warm up Power Transistor and Heat Sink. Set input off.

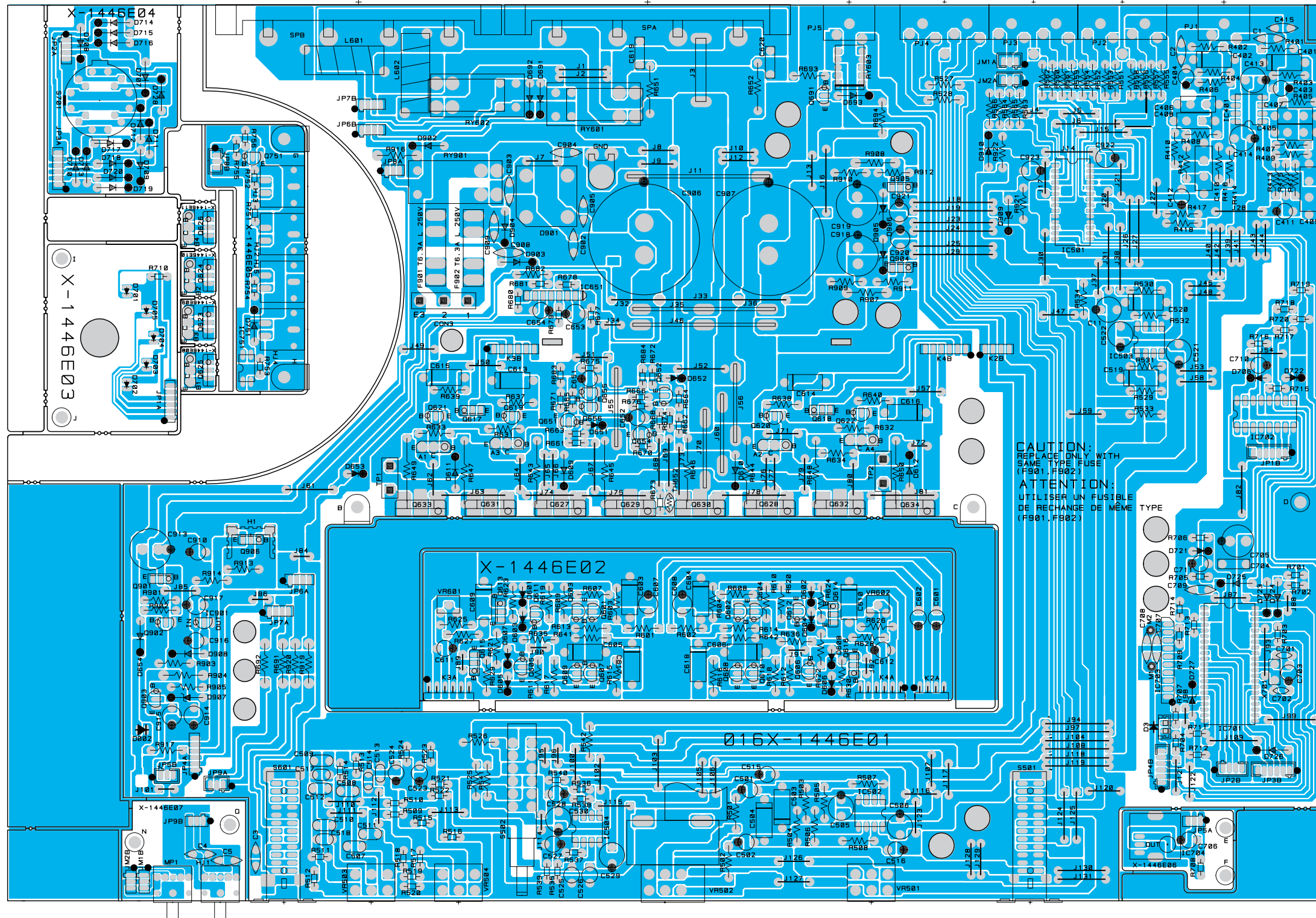
| Step | Coupling | Location      | Adjust | Adjust for                   |
|------|----------|---------------|--------|------------------------------|
| 1    | TP1      | X-1446-01 PCB | VR601  | DC milli-voltmeter reads 4mV |
| 2    | TP2      | X-1446-01 PCB | VR602  |                              |

## Case Outlines

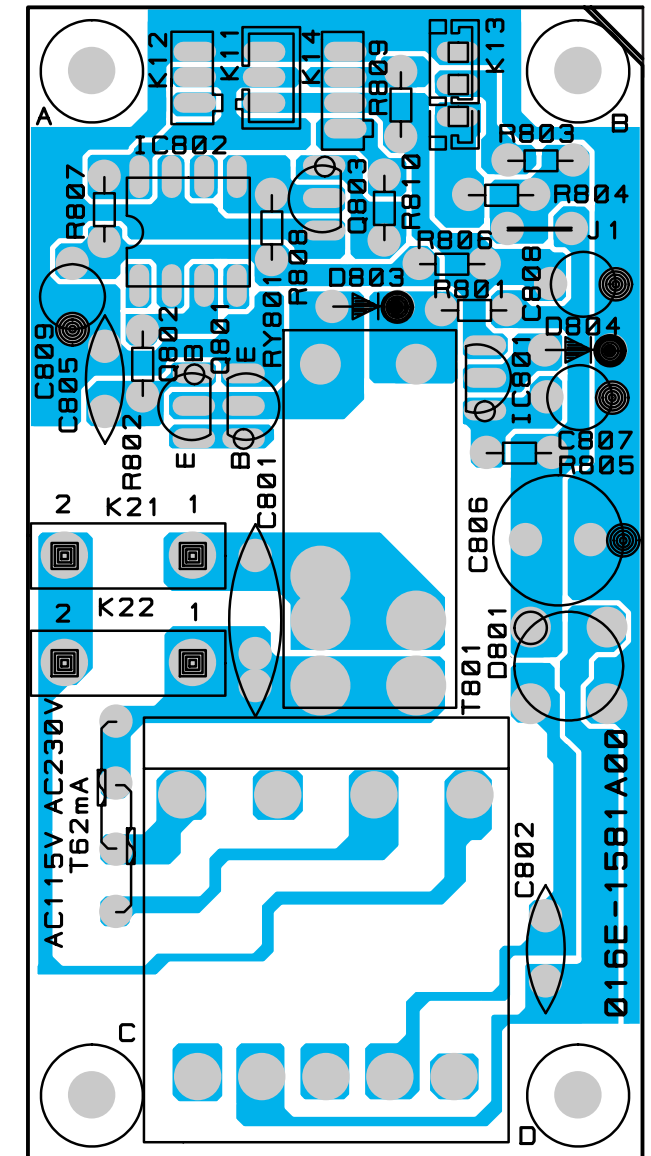




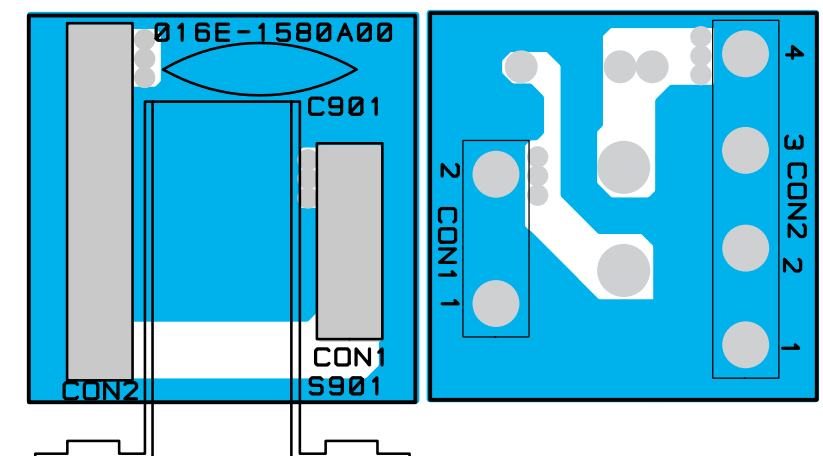
**MAIN PCB 016 X-1446E01~11**



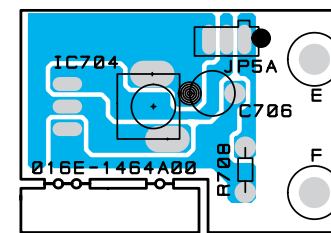
**STANDBY PCB  
016 E-1581A00**



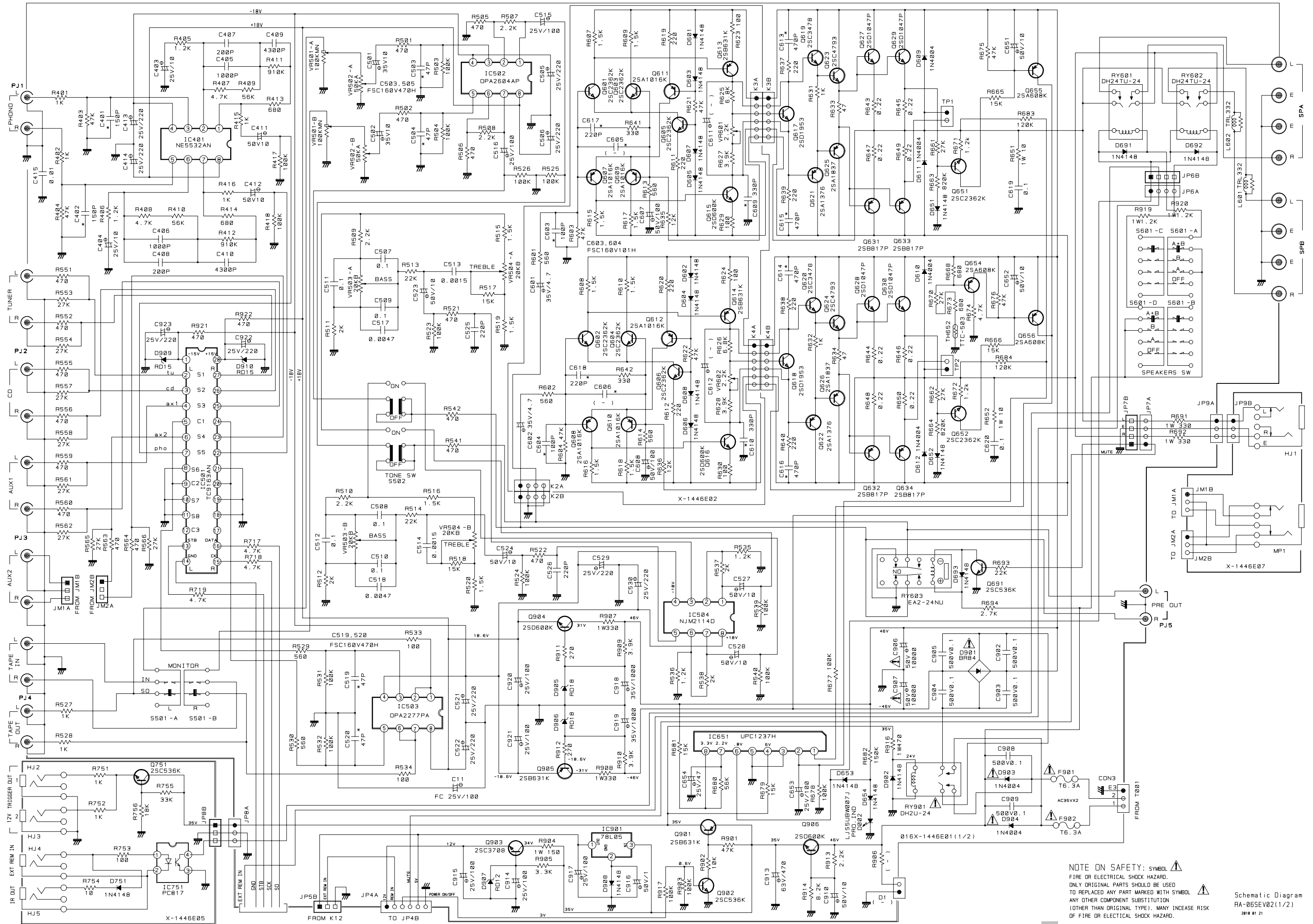
**POWER SWITCH PCB  
016 E-1580A00**



**Remote module PCB  
016 E-1464A00**

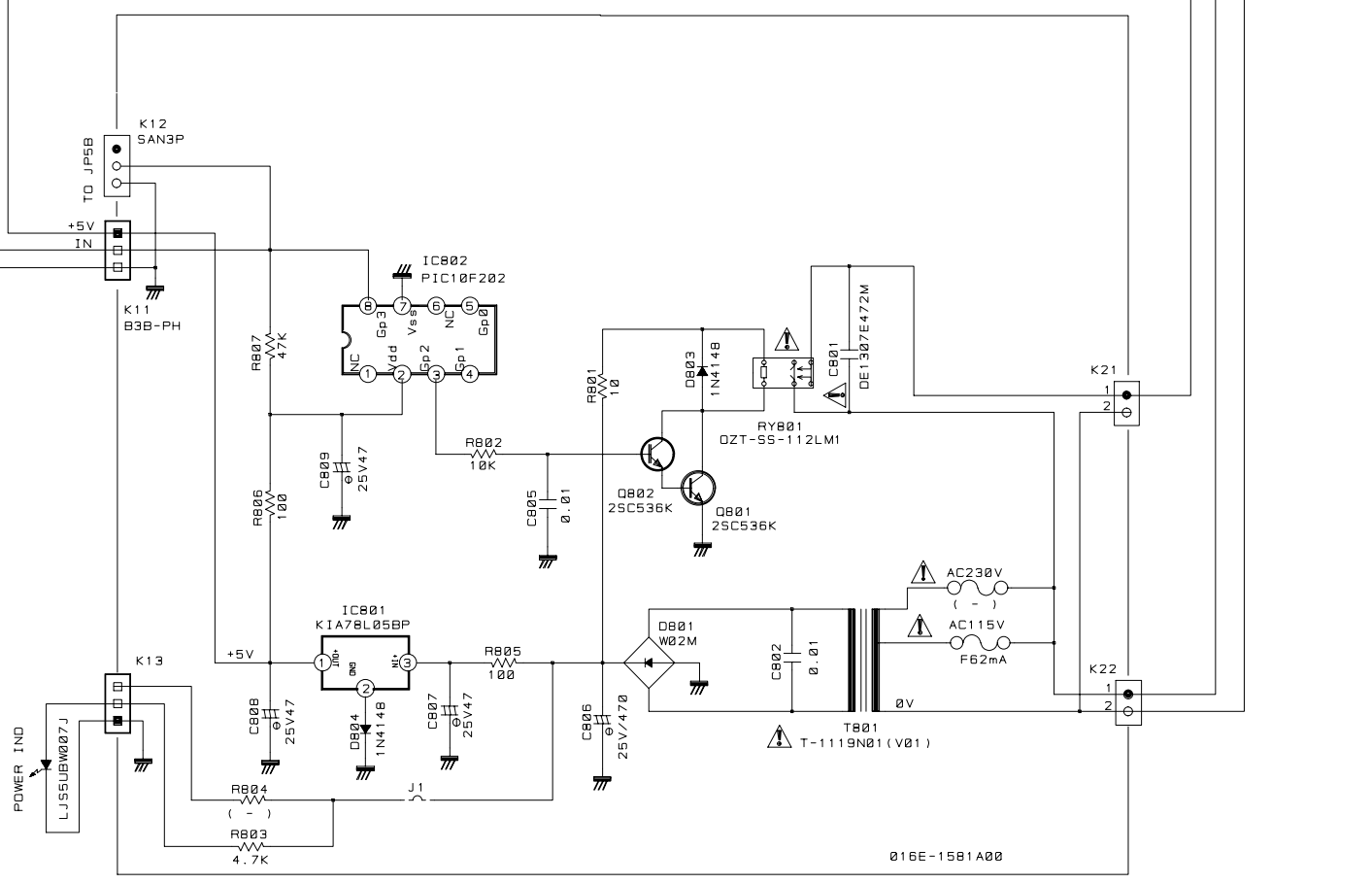
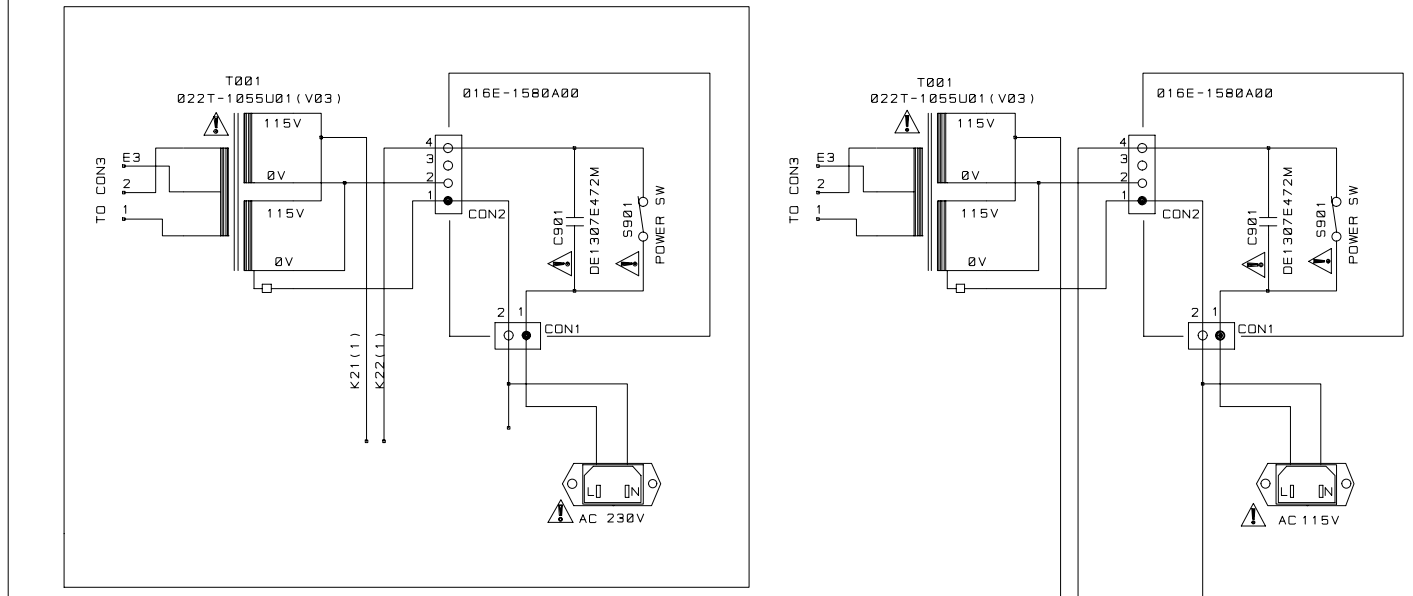
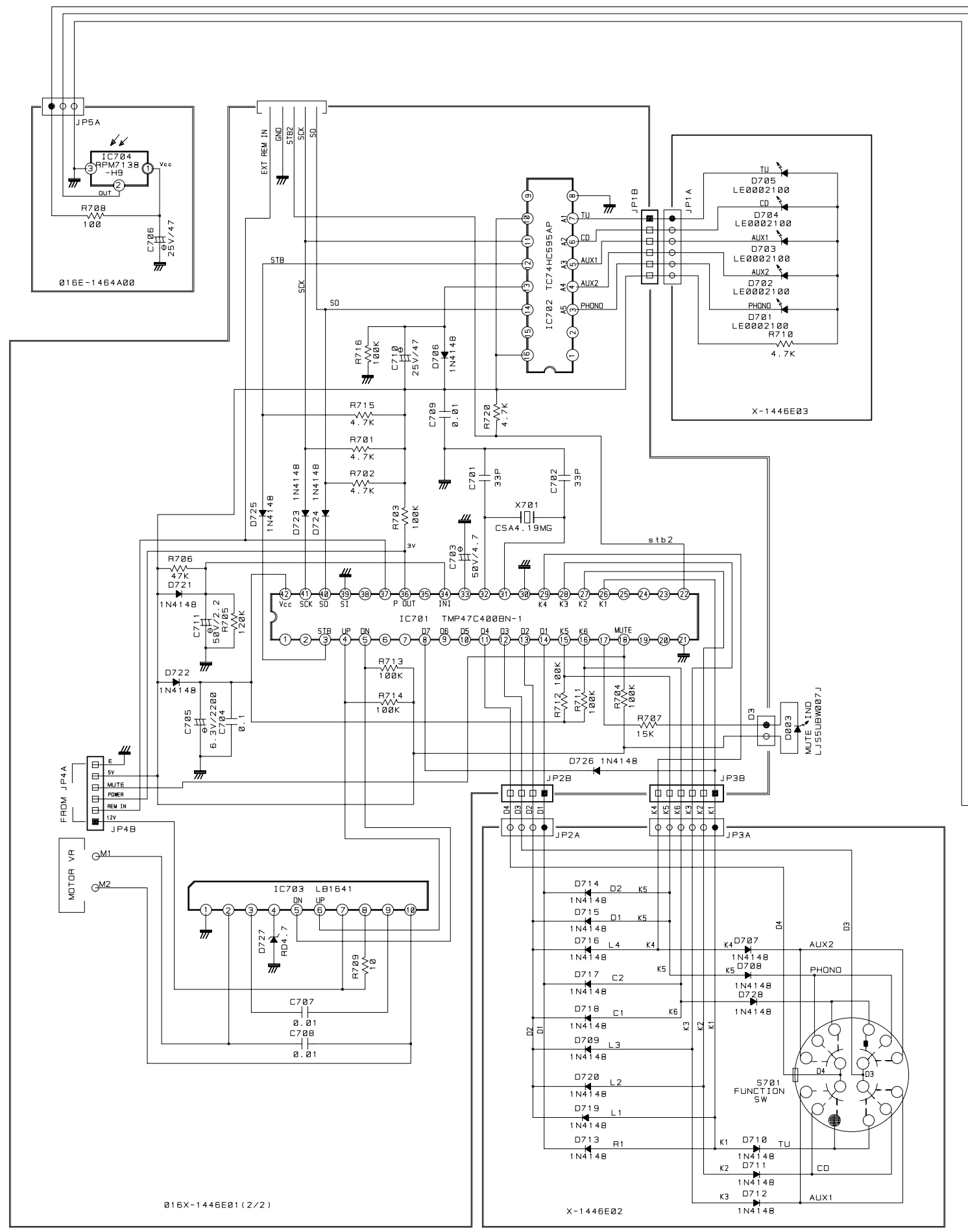




(start from S/N: )



NOTE ON SAFETY: SYMBOL ⚠  
 FIRE OR ELECTRICAL SHOCK HAZARD.  
 ONLY ORIGINAL PARTS SHOULD BE USED  
 TO REPLACE ANY PART MARKED WITH SYMBOL ⚠  
 (OTHER THAN ORIGINAL TYPE). MANY INCREASE RISK  
 OF FIRE OR ELECTRICAL SHOCK HAZARD.

Schematic Diagram  
 RA-06SEV02(1/2)  
 2018 01 21



NOTE ON SAFETY:   
 FIRE OR ELECTRICAL SHOCK HAZARD.  
 ONLY ORIGINAL PARTS SHOULD BE USED  
 TO REPLACE ANY PART MARKED WITH SYMBOL   
 ANY OTHER COMPONENT SUBSTITUTION  
 (OTHER THAN ORIGINAL TYPE), MANY INCREASE RISK  
 OF FIRE OR ELECTRICAL SHOCK HAZARD.