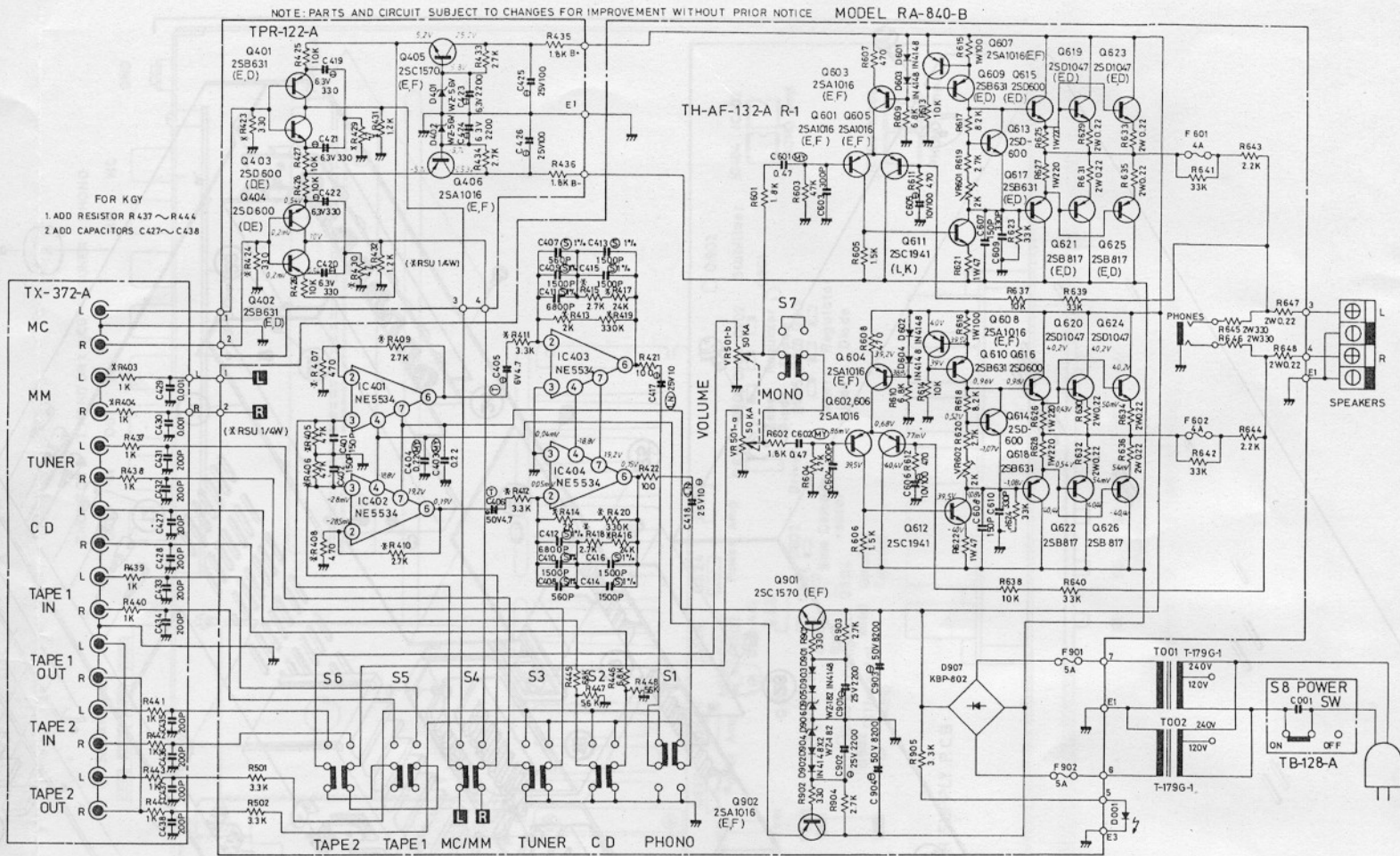


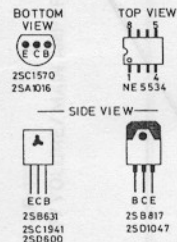
# Schematic Diagram / Schaltungsschema / Diagramme sché



**RESISTOR**  
 5% TOLERANCE UNLESS OTHERWISE NOTED  
 K - KILO OHM  
 M - MEGA OHM  
 W - COMPOSITION RESISTORS 1/2 WATT  
 RSU - METAL OXIDE FILM RESISTOR  
 NON MARK - LOW NOISE TYPE CARBON RESISTORS

**CAPACITORS**  
 (E) - LOW NOISE ELECTROLYTIC CAPACITORS  
 (F) - MYLAR FILM CAPACITORS  
 (P) - POLYSTYRENE FILM CAPACITORS  
 (S) - ELECTROLYTIC CAPACITORS  
 (C) - NON MARK CERAMIC CAPACITORS  
 UNLESS OTHERWISE NOTED IN SCHEMATIC ALL CAPACITANCE VALUES ARE EXPRESSED IN MFD

ITEM	SCHEMATIC LOCATION	WASST
PHONO AMP	R448 C436	
VOLUME	R502	
MAIN AMP	R648 C810	
POWER SUPPLY	R905 C904	



## Block Diagram / Blockschaltbild / Schema synoptique

