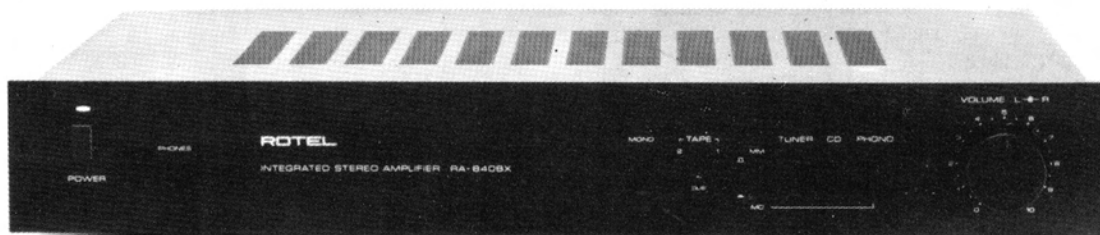


TECHNICAL MANUAL



ROTEL[®] RA-840BX

INTEGRATED STEREO AMPLIFIER

TABLE OF CONTENTS

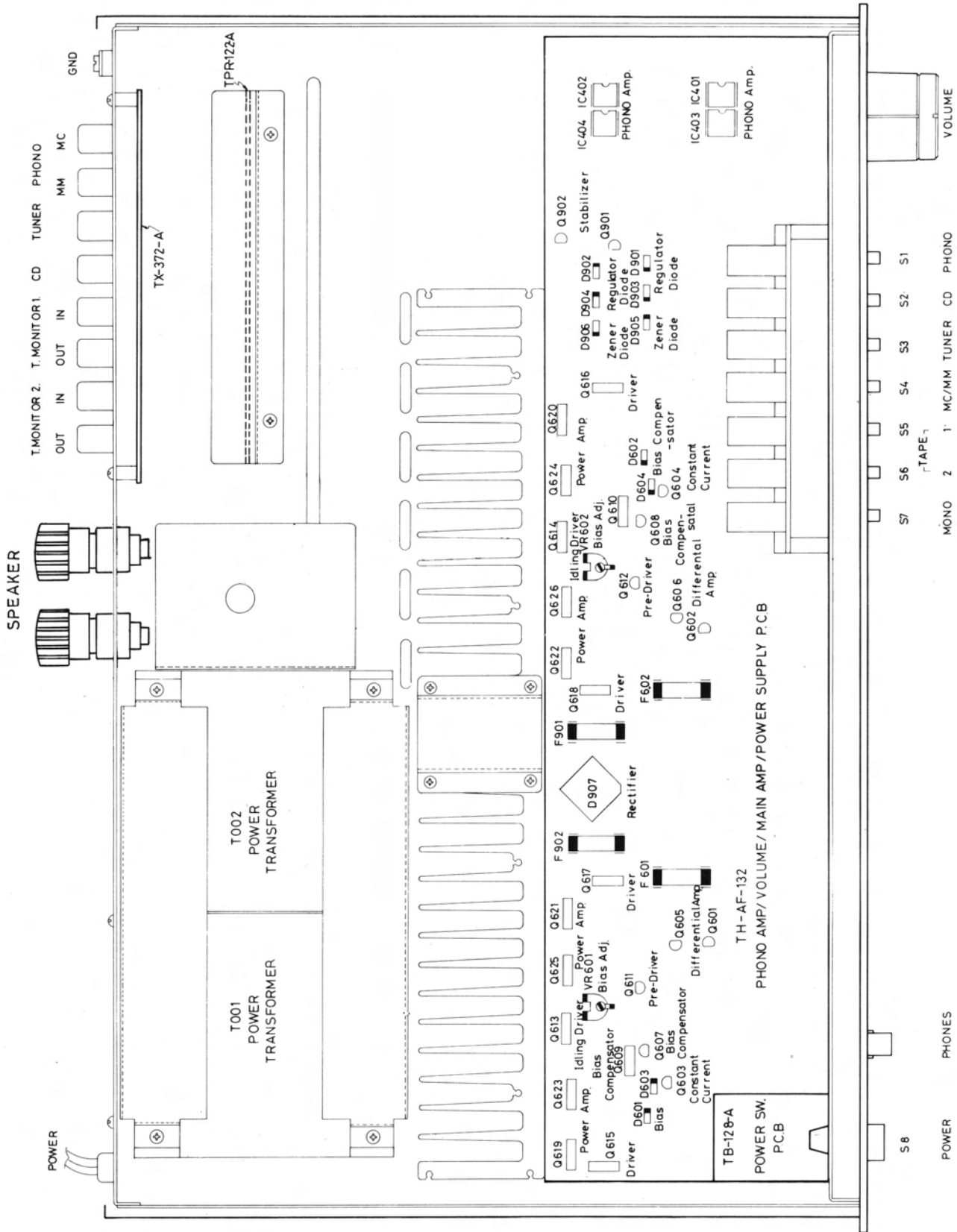
Chassis Layout	1
Adjustment	2
Wiring Diagram	3
Schematic Diagram	4
Repair Parts List	5

THE ROTEL CO., LTD.
ROTEL ELECTRONICS CO., LTD.

1-36-8 OHOKAYAMA, MEGURO-KU, TOKYO 152, JAPAN
ROTEL BLDG., 3F. NO. 35, FUSING N. ROAD, TAIPEI,
TAIWAN, REPUBLIC OF CHINA

MN20001263

Chassis Layout



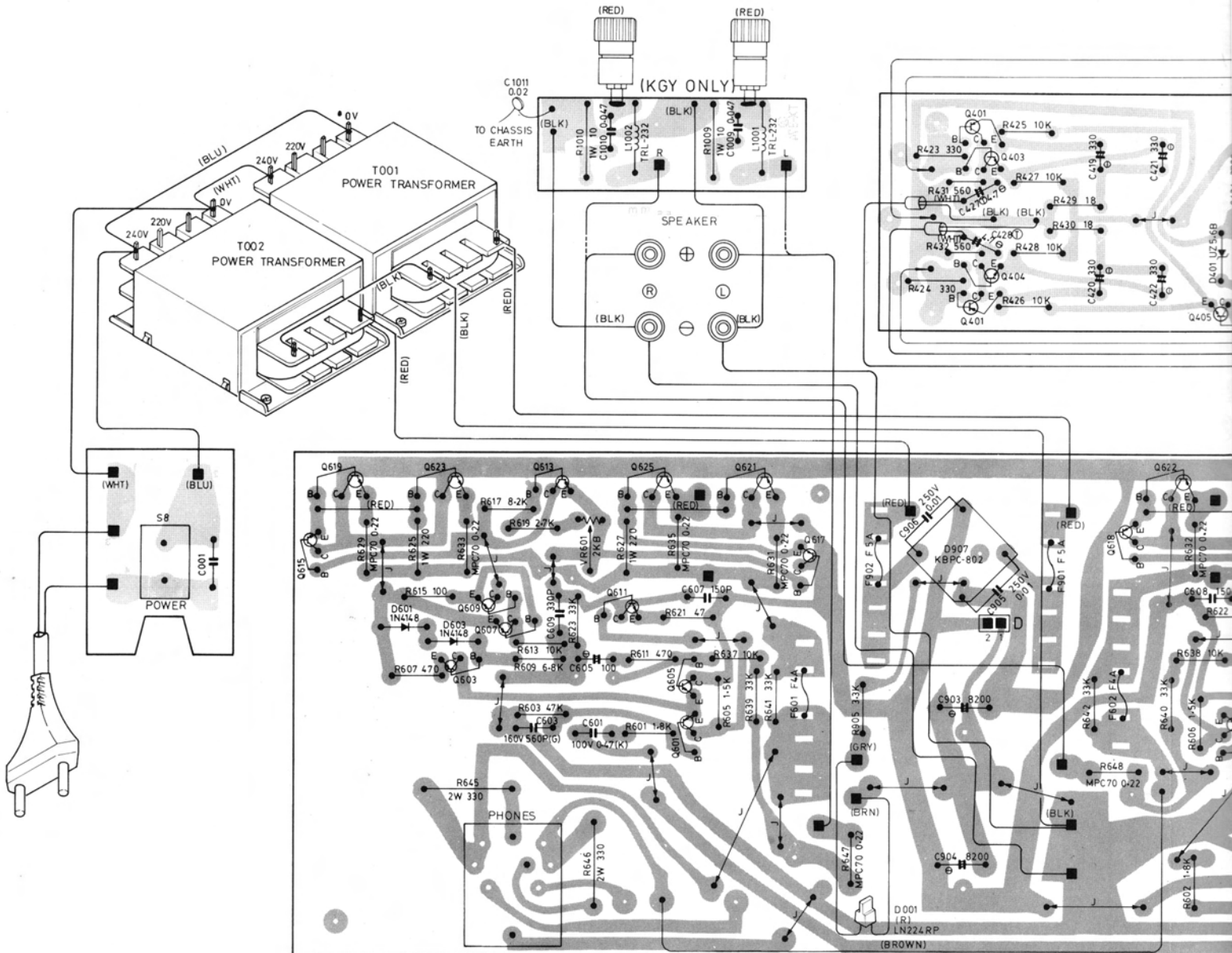
Power Amplifier Bias Adjustment

Instruments: DC milli-voltmeter

Notes: Prior to Bias Adjustment, run about 5 minutes with rated output (8 ohm) and warm up Power Transistor and Heat Sink.
Set Volume Control to Minimum.

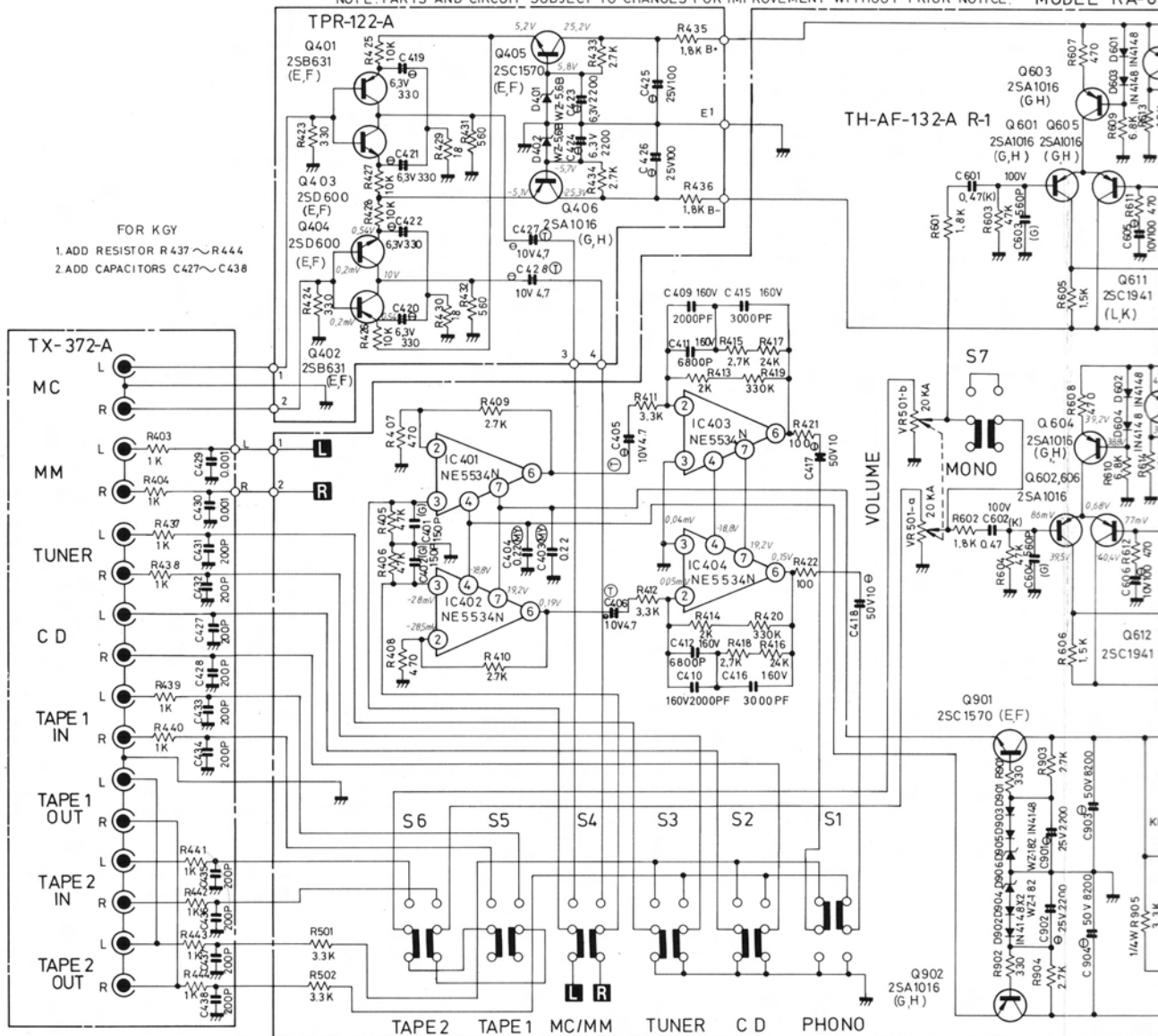
Step	Coupling		Adjust	Adjust for
	Plus Lead	Minus Lead		
1	TP3	TP1	VR601	DC milli-voltmeter reads 4.0mV
2	TP4	TP2	VR602	

Wiring Diagram



Schematic Diagram

NOTE: PARTS AND CIRCUIT SUBJECT TO CHANGES FOR IMPROVEMENT WITHOUT PRIOR NOTICE. MODEL RA-8



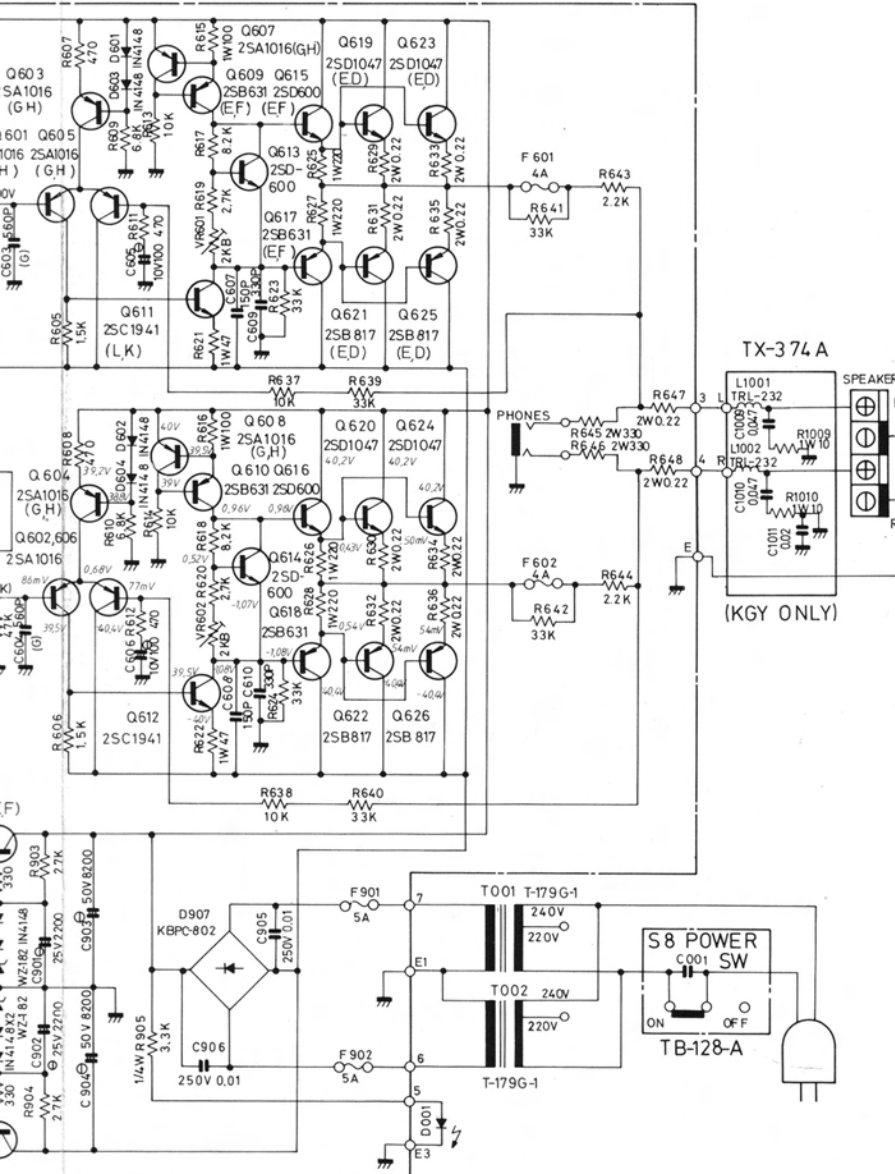
FOR KGY
1. ADD RESISTOR R 437 ~ R444
2. ADD CAPACITORS C427 ~ C438

Repair Parts List

Schematic Location	Computer No.	Description
TRANSISTORS, DIODES AND IC'S		
Q401, 402	TR10000047	2SB631, MC Amp.
Q403, 404	TR40000069	2SD600K, MC Amp.
Q405,	TR30000108	2SC1570/1571, Driver
Q406	TR10000023	2SA1016, Driver
Q601, 602	TR10000023	2SA1016, Differential Amp.
Q603, 604	TR10000023	2SA1016, Constant Current
Q605, 606	TR10000023	2SA1016, Differential Amp.
Q607, 608	TR10000023	2SA1016, Main Amp.
Q609, 610	TR10000047	2SB631, Main Amp. Compensator
Q611, 612	TR30000169	2SC1941, Pre-Driver
Q613, 614	TR40000069	2SD600K, Idling Driver
Q615, 616	TR40000069	2SD600K, Driver
Q617, 618	TR10000047	2SB631, Driver
Q619, 620	TR40000045	2SD1047, Power Amp.

Schematic Location	Computer No.	Description
Q621, 622	TR20000040	2SB817, Power Amp.
Q623, 624	TR40000045	2SD1047, Power Amp.
Q625, 626	TR20000040	2SB817, Power Amp.
Q901	TR10000108	2SC1570/1571, Stabilizer
Q902	TR10000023	2SA1016, Stabilizer
D601 ~ 604	DD10000100	IN4148, Bias Compensator
D901 ~ 904	DD10000100	IN4148, Regulator
D905, 906	DD20000041	WZ182, Zener Regulator
D907	DD10000147	KBPC-802, Rectifier
D001	DD40000095	LN224RP, LED For Power Indicator
IC401 ~ 404	IC00000731	NE5534N, Phono Amp.
COILS AND VARIABLE RESISTORS		
VR501	RV10000585	4TR-1882, 20KAX2, Volume Control
VR601, 602	RV20000338	08-301, 2KB, Bias Adj.

MODEL RA-840-BX

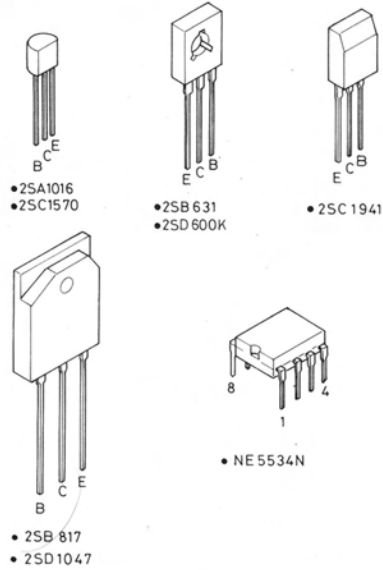


RESISTOR

5% TOLERANCE UNLESS OTHERWISE NOTED
 K--KILO OHM
 M--MEGA OHM
 NON MARK METAL OXIDE FILM RESISTORS 0.4W

CAPACITORS

Ⓛ--LOW NOISE ELECTROLYTIC CAPACITORS
 Ⓜ--MYLAR FILM CAPACITORS
 Ⓟ--POLYSTYRENE FILM CAPACITORS
 Ⓢ--ELECTROLYTIC CAPACITORS
 NON MARK CERAMIC CAPACITORS
 UNLESS OTHERWISE NOTED IN SCHEMATIC ALL
 CAPACITANCE VALUES ARE EXPRESSED IN MFD



Schematic Location	Computer No.	Description
SWITCHES AND OTHERS		
S1 ~ S7	SH17000020	4TR-1828, 7 Key Push Switch, For Function
S8	SH40000120	C-3600B-T, Power Switch
T001	PT00000072	022 T-179A-1, Power Transformer (120V)
	F 00000059	022 T-179G-1, Power Transformer (120V, 220V, 240V)
F601, 602	FU12000045	250V 5A UL Fuse, Speaker Protector
	FU21000071	250V 5A Mini Fuse, Speaker Protector
F901, 902	FU12000100	250V 5A UL Fuse, AC Circuit Protector
	FU21000060	250V 5A Mini Fuse, AC Circuit Protector

Schematic Location	Computer No.	Description
	FS20000043	RA-840BX Front Panel Assembly
	KB10000821	C-3872B-T #2, Knob 30F
	KB10000833	C-3873A-T #2, Knob 15F
	KB20000507	012 C-3982 #2, Push Button 8 x 14
	KB20000519	012 C-3372 #3, Push Button 4 x 14
	AU00000403	2 TWE-5B , Upper Cover