

# TECHNICAL MANUAL

---

# ROTEL RA-84OBX3

STEREO INTEGRATED AMPLIFIER

## TABLE OF CONTENTS

Chassis Layout .....	1
Adjustment .....	1
Wiring Diagram .....	2
Schematic Diagram .....	4
Repair Parts List .....	5

**THE ROTEL CO., LTD.**

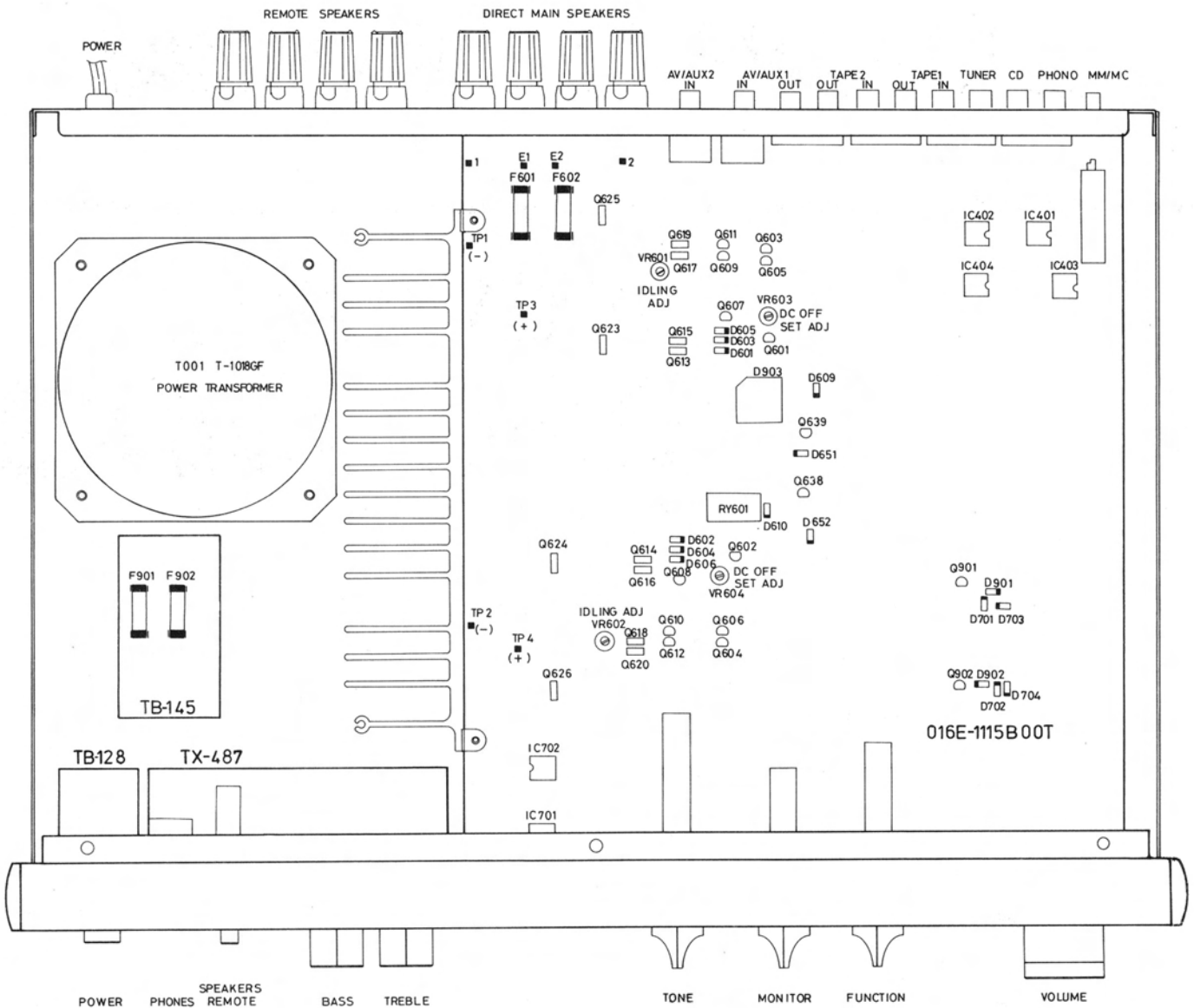
1-36-8 OHOKAYAMA, MEGURO-KU, TOKYO 152, JAPAN

**ROTEL ELECTRONICS CO., LTD.**

ROTEL BLDG., 3F. NO. 35, FUSING N. ROAD, TAIPEI, TAIWAN, REPUBLIC OF CHINA

MN20001433

# Chassis Layout



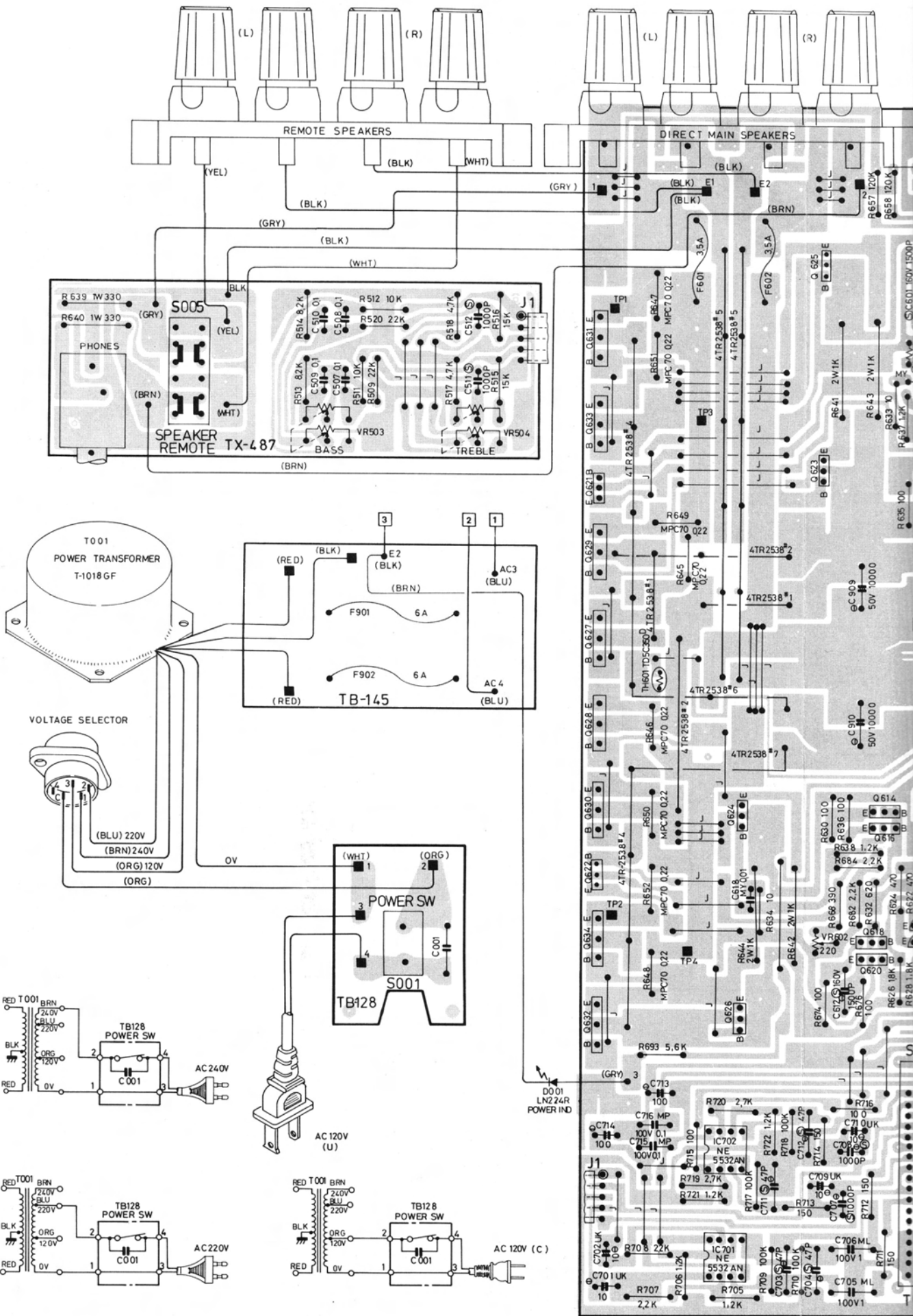
## Power Amplifier Bias Adjustment

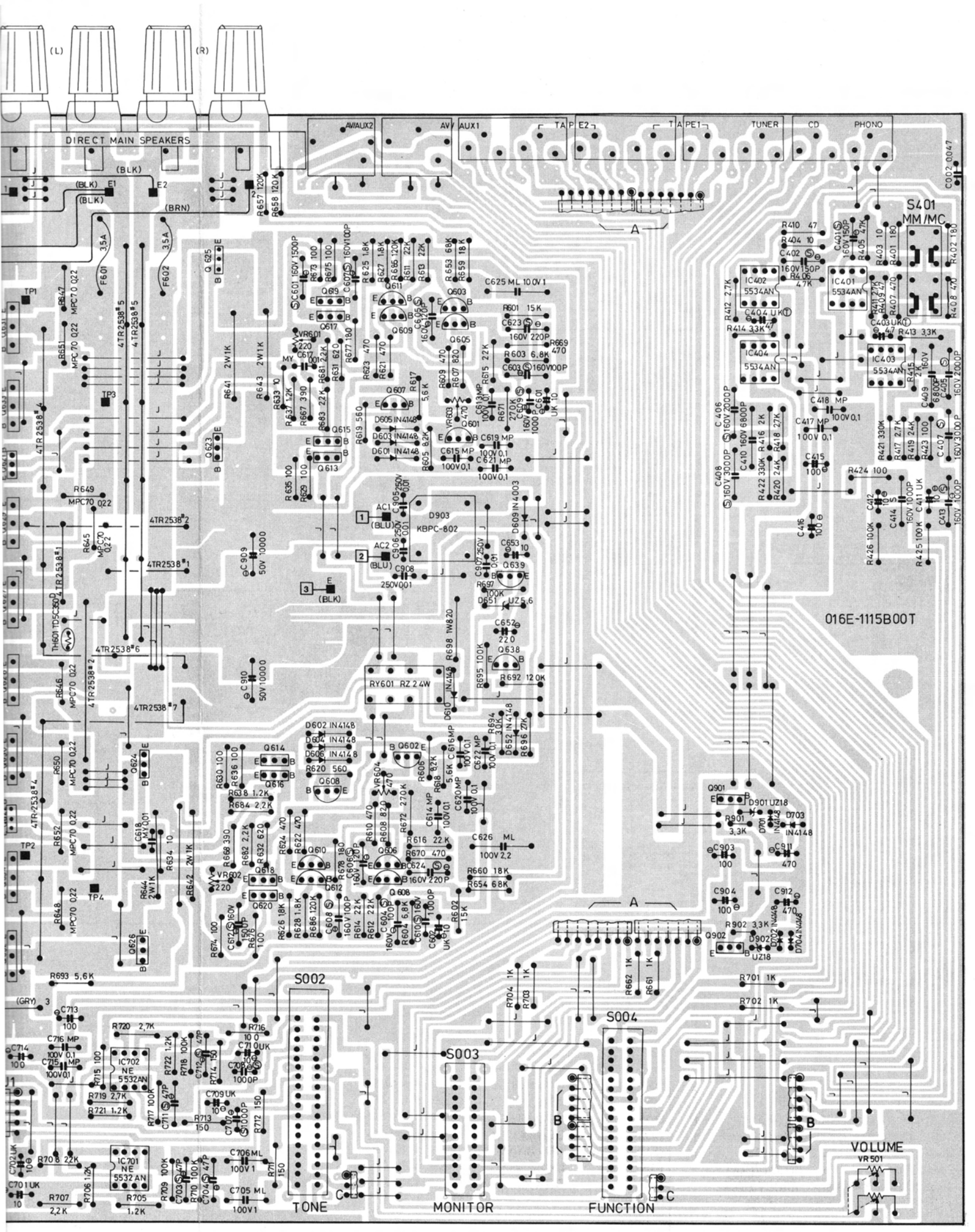
**Instruments:** DC milli-voltmeter

**Notes:** Prior to Bias Adjustment, run about 5 minutes with rated output (8 ohm) and warm up Power Transistor and Heat Sink.  
Set Volume Control to Minimum.

Step	Coupling		Adjust	Adjust for
	Plus Lead	Minus Lead		
1	TP3	TP1	VR601	DC milli-voltmeter reads 2.5mV
2	TP4	TP2	VR602	
3	1	E1	VR603	DC milli-voltmeter reads 0mV
4	2	E2	VR604	

# Wiring Diagram





(L) (R)

DIRECT MAIN SPEAKERS

AVALX2 AV AUX1 TAPE2 TAPE1 TUNER CD PHONO

C002 0047

S401 MM/MC

016E-1115B00T

S002

S003

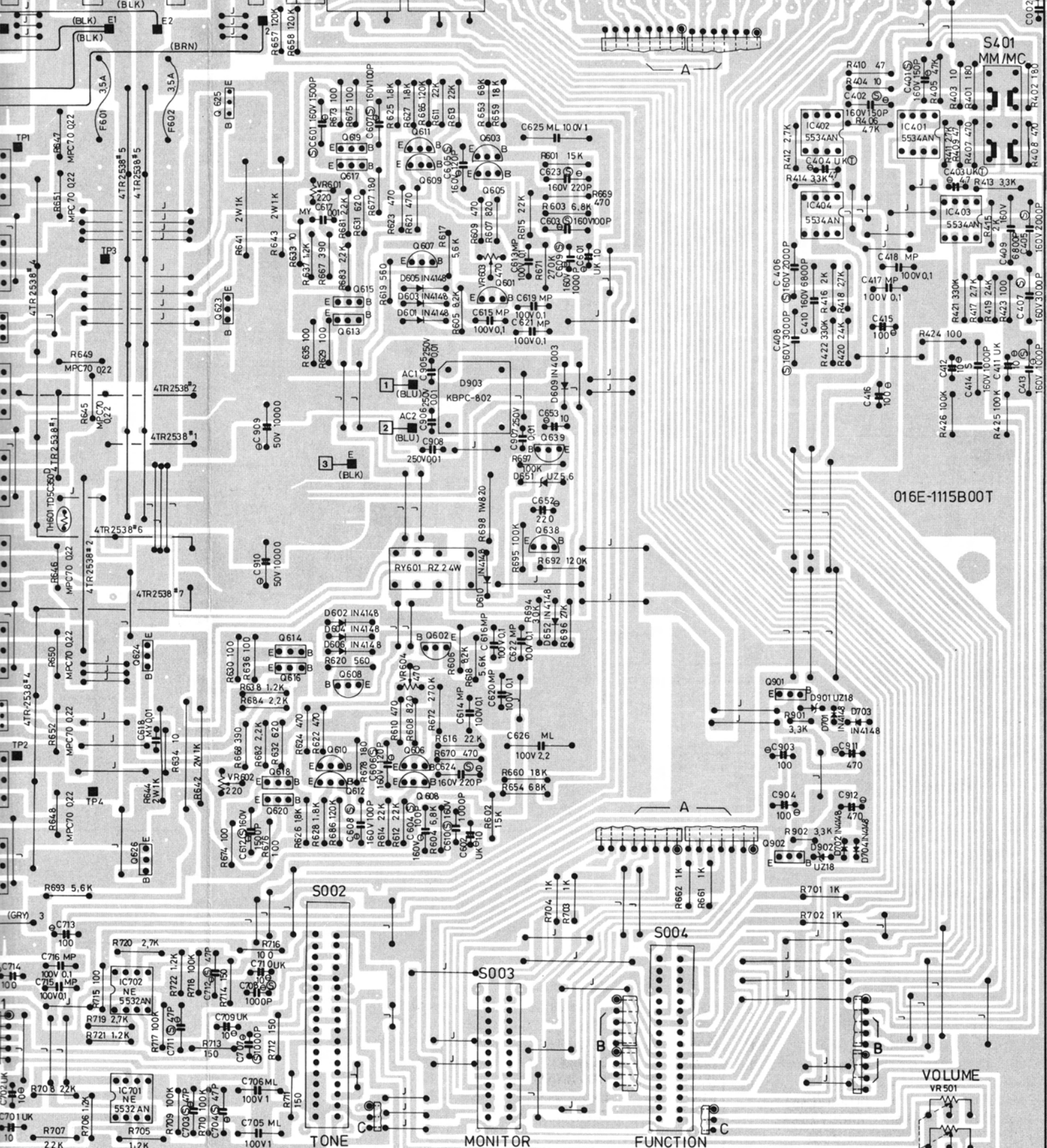
S004

TONE

MONITOR

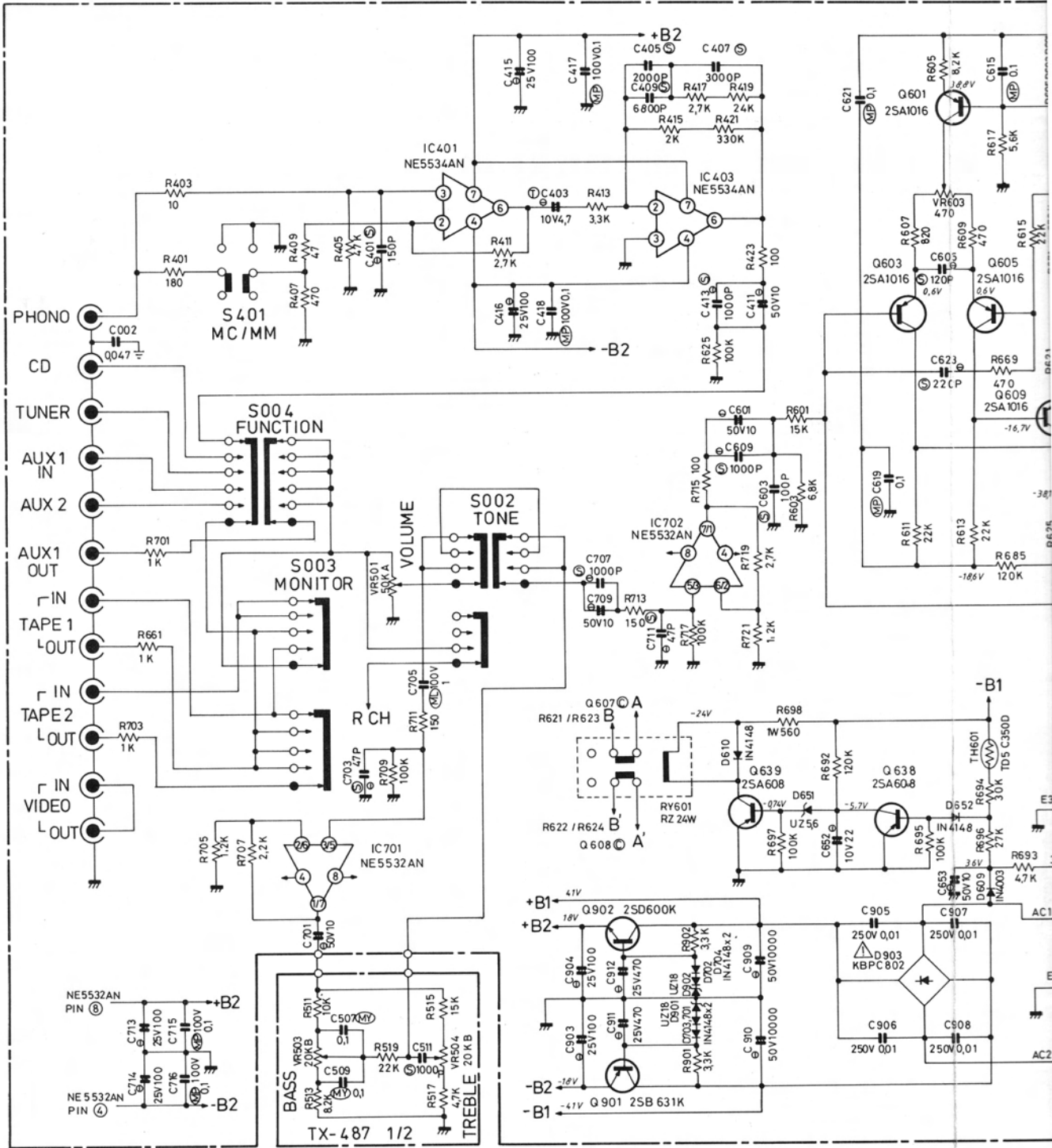
FUNCTION

VOLUME VR 501



# Schematic Diagram

NOTE: PARTS AND CIRCUIT SUBJECT TO CHANGES FOR IMPROVEMENT WITHOUT PRIOR NOTICE.



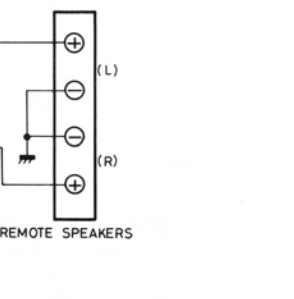
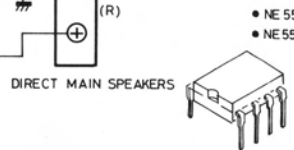
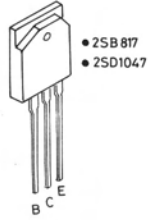
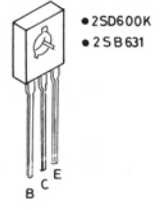
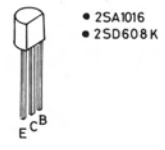
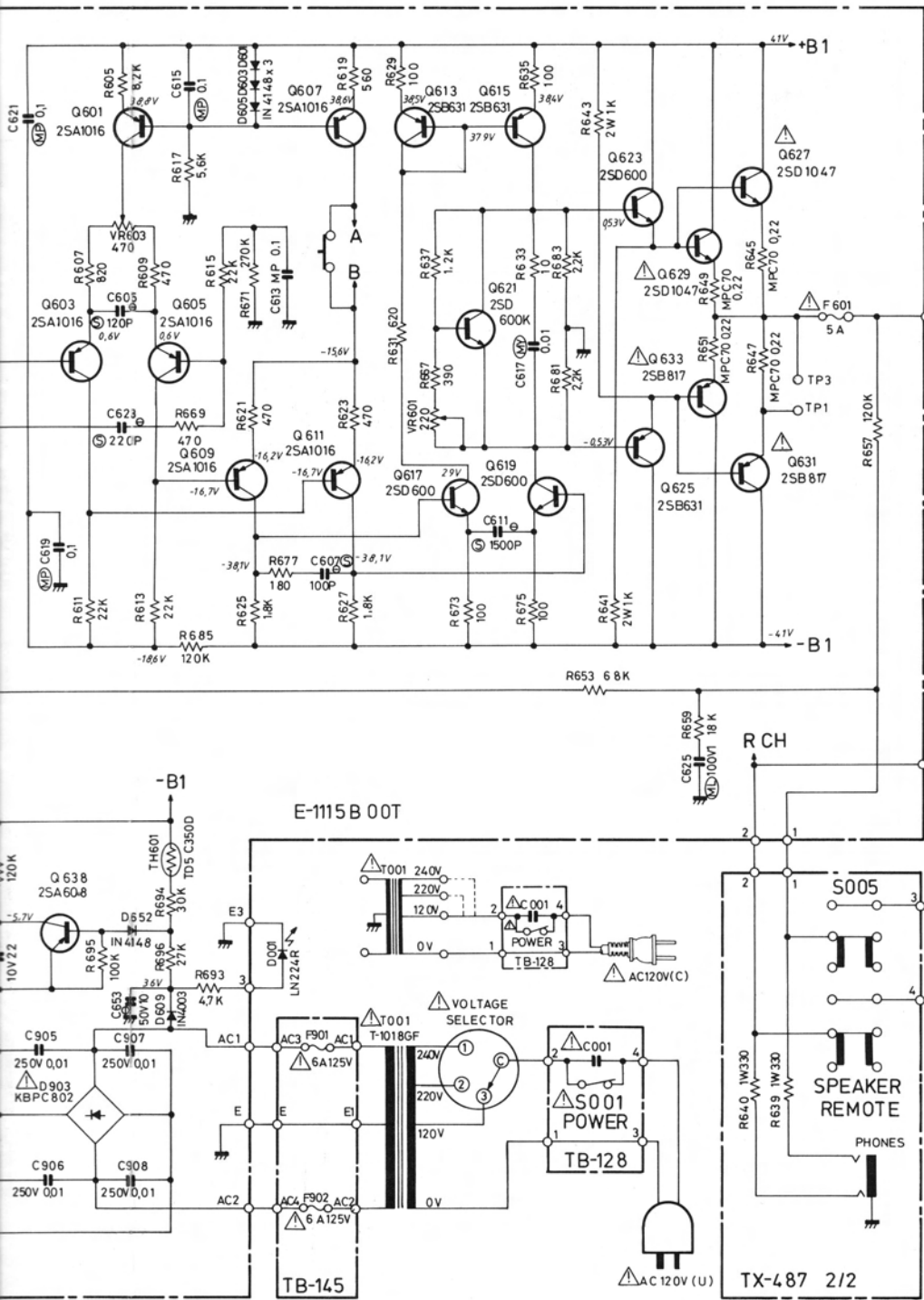
## Repair Parts List

Schematic Location	Computer No.	Description
IC401 ~ 404	IC00001735	IC (8 Pin), NE5534AN
IC701,702	IC00001693	IC(8 Pin), NE5532AN
Q601 ~ 612	TR10000023	Transistor, 2SA1016(G,H)
Q613 ~ 616	TR10000047	Transistor, 2SB631K (E,F)
Q617 ~ 624	TR40000069	Transistor, 2SD600K (E,F)
Q625, 626	TR10000047	Transistor, 2SB631K (E,F)
Q627 ~ 680	TR40000045	Power Transistor, 2SD1047(D,E)
Q631 ~ 634	TR20000040	Power Transistor, 2SB817(D,E)
638, 639	TR10000126	Transistor, 2SA608K (F,G)
Q901	TR10000047	Transistor 2SB631K (E,F)
Q902	TR40000069	Transistor 2SD600K (E,F)

Schematic Location	Computer No.	Description
D601 ~ 606	DD10000100	Diode, IN4148
D609	DD10000068	Diode, IN4003
D610	DD10000100	Diode, IN4148
D651	DD20000168	Diode, UZ-5.6B(M,H)
D652	DD10000100	Diode, IN4148
D701 ~ 704	DD10000100	Diode, IN4148
D901, 902	DD20000041	Diode, UZ-18B (M,H)
D903	DD10000147	Diode, KBPC-802 / PBPC803
D001	DD40000095	LED, LN224R
TH601	DD60000260	Thermistor, TD5C350D
VR501	RV10000408	4TR-1505, 50KA x 2 Volume

Sch  
Loc  
VR  
VR  
VR  
SO  
SO  
SO  
SO  
S4  
F6





INSTRUCTION FOR SERVICE PERSONNEL  
 1) TO USE ONLY REPLACEMENT PARTS THAT HAVE THE CRITICAL CHARACTERISTICS RECOMMENDED BY MANUFACTURER.  
 2) TO MARK LEAKAGE -CURRENT OR RESISTANCE MEASUREMENTS TO DETERMINE THAT EXPOSED PARTS ARE ACCEPTABLY INSULATED FROM THE SUPPLY CIRCUIT BEFORE RETURNING THE APPLIANCE TO THE CUSTOMER.

Schematic Location	Computer No.	Description
VR503,504	RV10000433	4TR-1742, 20KB x 2 Bass, Treble
VR601, 602	RV40000046	VM6CKPV-1S-B 220 ohm
VR603, 604	RV40000058	VM6CKPV-1S-B 470 ohm
S001	SH40000120	C-3600B-T, Power Switch
S002	SH30000420	4TR-2401 063N K20 Tone
S003	SH30000407	4TR-2399 044N K20 Monitor
S004	SH30000419	4TR-2400 045N K20 Function SW
S005	SH11000239	4TR-2328, Speaker Remote
S401	SH11000264	4TR-2407, MM/MC
F601,602	FU12000100	Fuse, 250V 5A UL/CSA
	FU21000060	Fuse, Mini 5A

Schematic Location	Computer No.	Description
	FU23000074	Fuse, 250V 5A S
F901,902	FU12000136	Fuse, 125V Long 6A UL/CSA
	FU21000083	Fuse, Mini 6.3A
	FU23000086	Fuse, 250V 6.3A S