

Quality Uncompromised

ROTEL[®]

Technical Manual

STEREO POWER AMPLIFIER **RB-1072**

Table of Contents

Specification.....	1
Parts list.....	2~5
Wiring.....	6
PCB Assembly.....	7
Schematic Diagram.....	8

Specifications

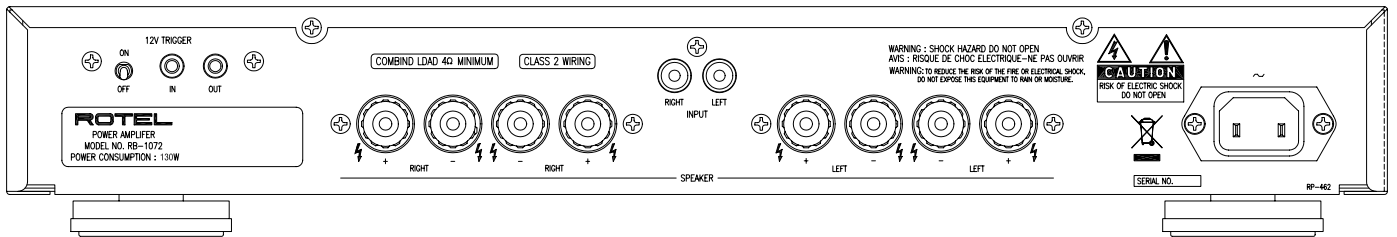
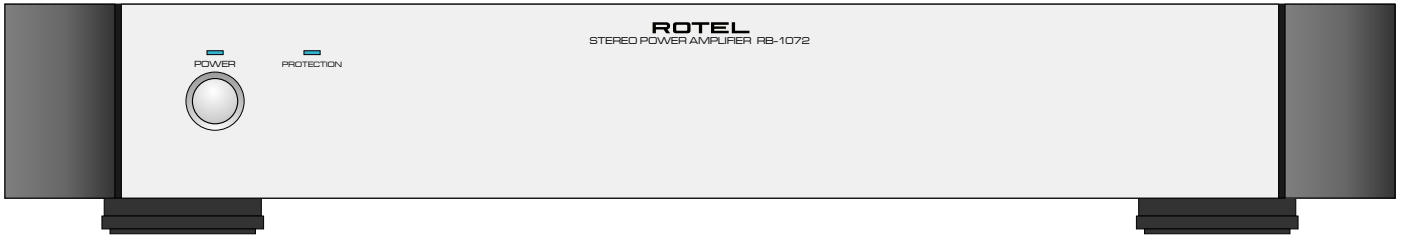
Power Configurations	2 x 100 watts
Watts/Channel	100 watts, both channels driven, with 20KHz filter, 8 ohm load, 20-20 kHz, 0.02% THD
Total Harmonic Distortion (20Hz-20kHz, 8 ohms)	
Continuous Rated Power	< 0.2%
One-Half Rated Power	< 0.2%
One Watt per Channel	< 0.2%
Power Output (4 ohms, 0.09% THD)	190 watts
Output Peak Current	11A
Intermodulation Distortion 60 Hz:7 kHz, 4:1	< 0.2%
Damping Factor (8 ohms)	200
Amp Gain	27.2dB
Input Sensitivity/Impedance	1.25 V / 9.9 k ohms
Frequency Response	10 - 40 KHz (± 3 dB)
Signal to Noise Ratio (IHF A)	109dB
Power Requirements	
USA	120 volts, 60 Hz
Europe	230 volts, 50 Hz
Power Consumption	130 watts
	21 watts - Idling
	3 watts - Standby
Dimensions (W x H x D)	432 x 72 x 350 mm
	17 ¹ / ₈ x 2 ⁷ / ₈ x 13 ³ / ₄ in
Panel Height (for rack mounting)	60 mm, 2 ³ / ₈ in
Weight (net)	4.6 kg, 2.1 lb.

THE ROTEL CO., LTD

10-10 SHINSEN-CHO, SHIBUYA-KU,
TOKYO 150-0045, JAPAN

Serial. NO.
Beginning

Y-401A-0706/pdf



SYMBOL	PARTS NO.	DESCRIPTION
016 X-1438A01-02 PCB ASSY		
	501 X-1438-D	PCB ASSY (SUB POWER)
T101	022 T-1075NO2	SUB TRANSFORMER
IC101	031 PC817X2	PHOTO COUPLER PC817X2J000F
Q101	032 TC3708-ST	TRANSISTOR 2SC3708AA-ST
D102,103,104,106,107	034 T1N4148-86	DIODE 1N4148TAP-50
D105	034 TRD12JST1	ZENER DIODE 12V (AB2)
D101	034 W02M	POWER DIODE 200V1.5A
C101	041 TUTES1E471-7TS	ELECTROLYTIC CAPACITOR 25V470uF
C102,103	044 DE1307E472M	SPARK KILLER 4700pF
R105	053 CR14-221J-A	CARBON RESISTOR 1/4W 220
(R103)	053 CR14-272J-A	CARBON RESISTOR 1/4W 2.7K
(R103)	053 CR14-472J-A	CARBON RESISTOR 1/4W 4.7K
R102	053 CR16-333J-A	CARBON RESISTOR 1/6W 33K
R101,109	054 1WS120JF	MOF RESISTOR 1W 120
R104	054 1WS1KJF	MOF RESISTOR 1W 1K
R107,108	054 ERQ12AJ2R2P	FUSIBLE RESISTOR 1/2W 2.2
RY101,102	063 OZT-SS-112LM1	RELAY DC12V TV8
S101	064 C-4613A01	TOGGLE SWITCH 200MDP1T2B2M7RE
TJ101,TJ102	065 YKB21-5103A	3.5Φ JACK (ST)
K102	068 B2B-EH	CONNECTOR WAFER 2P
K101	068 B3B-EH	CONNECTOR WAFER 3P
AC1,AC2	068 C-3683#1	2P PCB TERMINAL
016 X-1469A01-03 PCB ASSY		
	501 X-1469	PCB ASSY (OUTPUT)
IC201,202	031 PC817X2	IC (PHOTO COUPLER) PC817X2J000F
Q204	032 TA608-FG	TRANSISTOR 2SA608KAA-FG
Q201	032 TC3708-ST	TRANSISTOR 2SC3708AA-ST
Q202,203	032 TC536-FG	TRANSISTOR 2SC536KAA-FG
D201-204	034 T1N4148-86	DIODE 1N4148TAP-50
C201	041 TUTES1A471-7TF	ELECTROLYTIC CAPACITOR 10V470uF
C202	043 TC50V220	CERAMIC CAPACITOR 50V22pF
C001	044 DE2E3KH472MA3B	SPARK KILLER 4700pF
R203	053 CR14-102J-A	CARBON RESISTOR 1/4W 1K
R210,211	053 CR14-103J-A	CARBON RESISTOR 1/4W 10K
R209	053 CR14-104J-A	CARBON RESISTOR 1/4W 100K
R202	053 CR14-123J-A	CARBON RESISTOR 1/4W 12K
R207	053 CR14-222J-A	CARBON RESISTOR 1/4W 2.2K
R201	053 CR14-330J-A	CARBON RESISTOR 1/4W 33
R206	053 CR14-334J-A	CARBON RESISTOR 1/4W 330K
R205	053 CR14-392J-A	CARBON RESISTOR 1/4W 3.9K
R208	053 CR14-394J-A	CARBON RESISTOR 1/4W 390K
R204	053 CR14-563J-A	CARBON RESISTOR 1/4W 56K
R212	054 2WS10JF	MOF RESISTOR 2W 10
S001	061 C-4176A08	POWER SWITCH PS3-22SPA-P7CZ TV-8
RY201,202	063 DH2TU-24	RELAY DH24D2-OT(M)
PJ201	066 4TR-2709#3	2P PIN (WHT.RED)
K209,210	067 C-4761A01	4P SPEAKER TERMINAL
K211	068 B2B-EH	CONNECTOR WAFER 2P

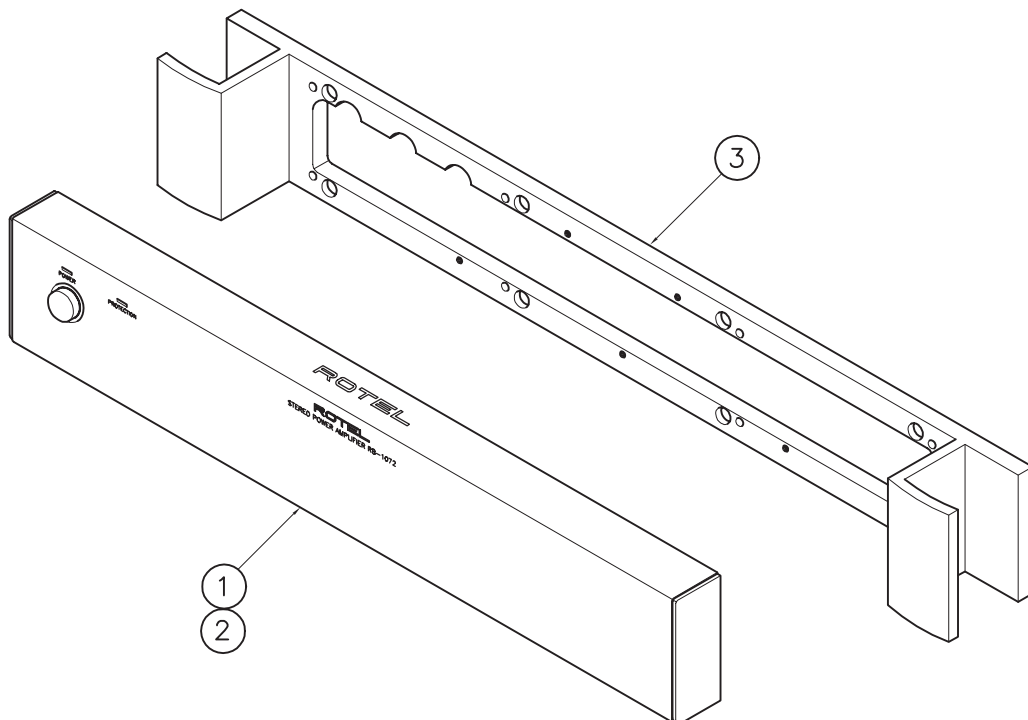
SYMBOL	PARTS NO.	DESCRIPTION
OTHERS		
	011 FP-619-B	BLACK PANEL ASSY
	011 FP-619-S	SILVER PANEL ASSY
	011 VA3-01A00	H/S PANEL
	012 RV4-09A00	PUSH BUTTON 14Φ (BLACK)
	012 RV4-09A01	PUSH BUTTON 14Φ (SILVER)
	014 WS3-03A00	UPPER COVER
	019 4TR-1194#1	CABLE TIE 100mm
	019 4TSH-19#2	PLASTIC FOOT 50Φ (BLACK)
	019 C-4714A00	POWER KNOB RING 14Φ (BLACK)
	019 C-4714A01	POWER KNOB RING 14Φ (SILVER)
	034 SEL1124R	LED (RED) 1X5
	034 SEL1E24W	LED (BLU) 1X5
	069 C-4629A01	AC 2P INLET 6102.3100
	072 4TR-2489	3.5mm PLUG SHIELD CORD
	072 C-4621A03	AC CORD SET for RAA
	072 C-4622A02	AC CORD SET for AUSTRALIA
	072 C-4623A03	AC CORD SET for U.K.
	072 C-4624A03	AC CORD SET for EUROPE
	081 WS3-05A00	INSIDE CARTON
	081 WS3-06A00	SHIPPING CARTON
	081 ZE-218	ETHAFOAM MOULDING
	092 ICEPOWER200ASC	DIGITAL AMP PCB ASSY
	082 OMRB-1072-11	OWNER'S MANUAL

Addendum List for Black and Silver

RB-1072

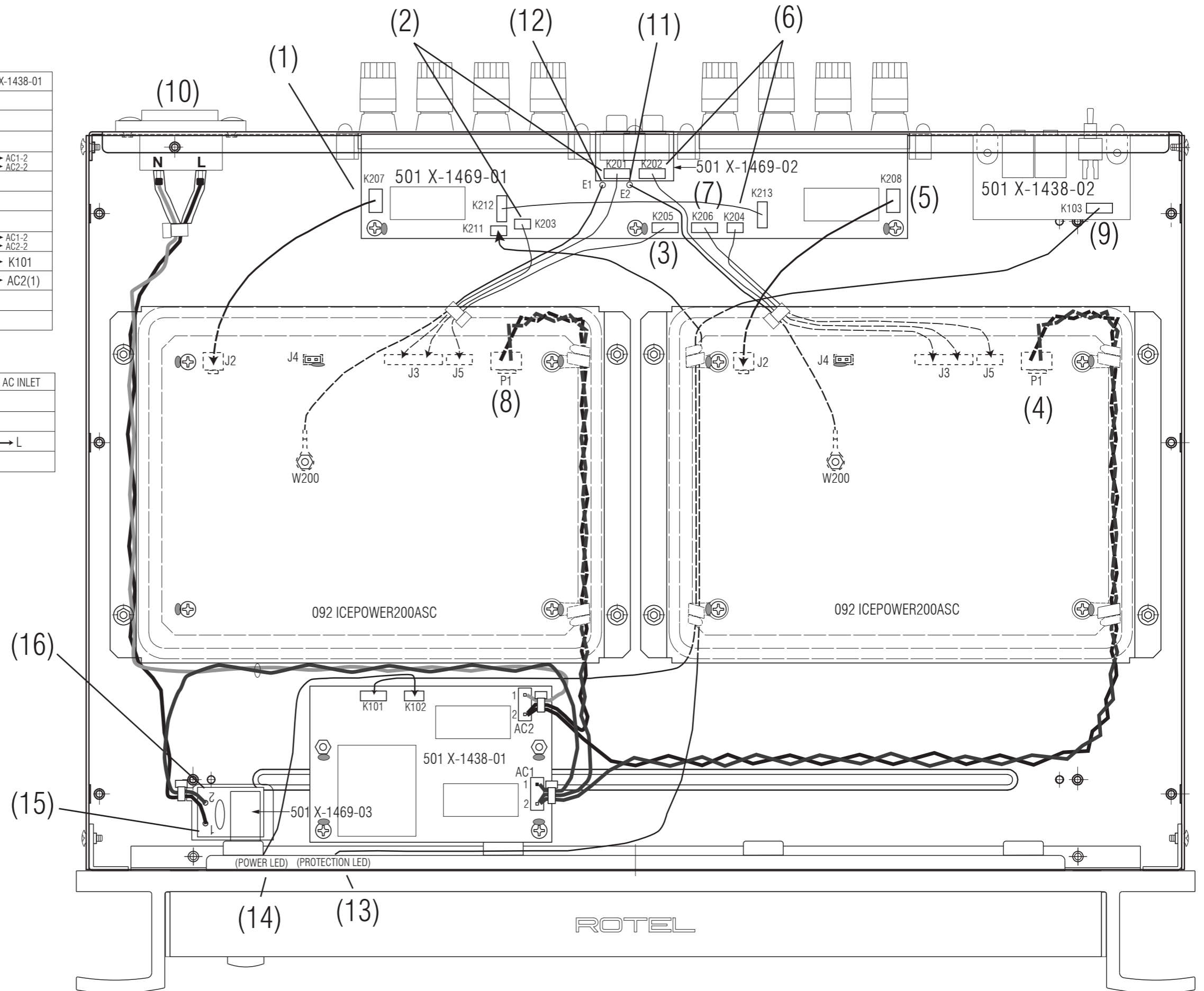
SYMBOL	PARTS	DESCRIPTION
①	011 FP-619-B	BLACK PANEL ASSY
②	011 FP-619-S	SILVER PANEL ASSY
③	011 VP3-01A00	H/S PANEL
	011 FP-619-B	SUB PANEL HOLDER (BLK)
	011 FP-619-S	SUB PANEL HOLDER (SLV)
	012 RV4-09A00	PUSH BUTTON 14F (BLK)
	012 RV4-09A01	PUSH BUTTON 14F (SLV)
	034 SEL1124R	LED (RED) 1X5
	034 SEL1E24W	LED (BLU) 1X5

Panel Assy is included:
Knob Ring
LED

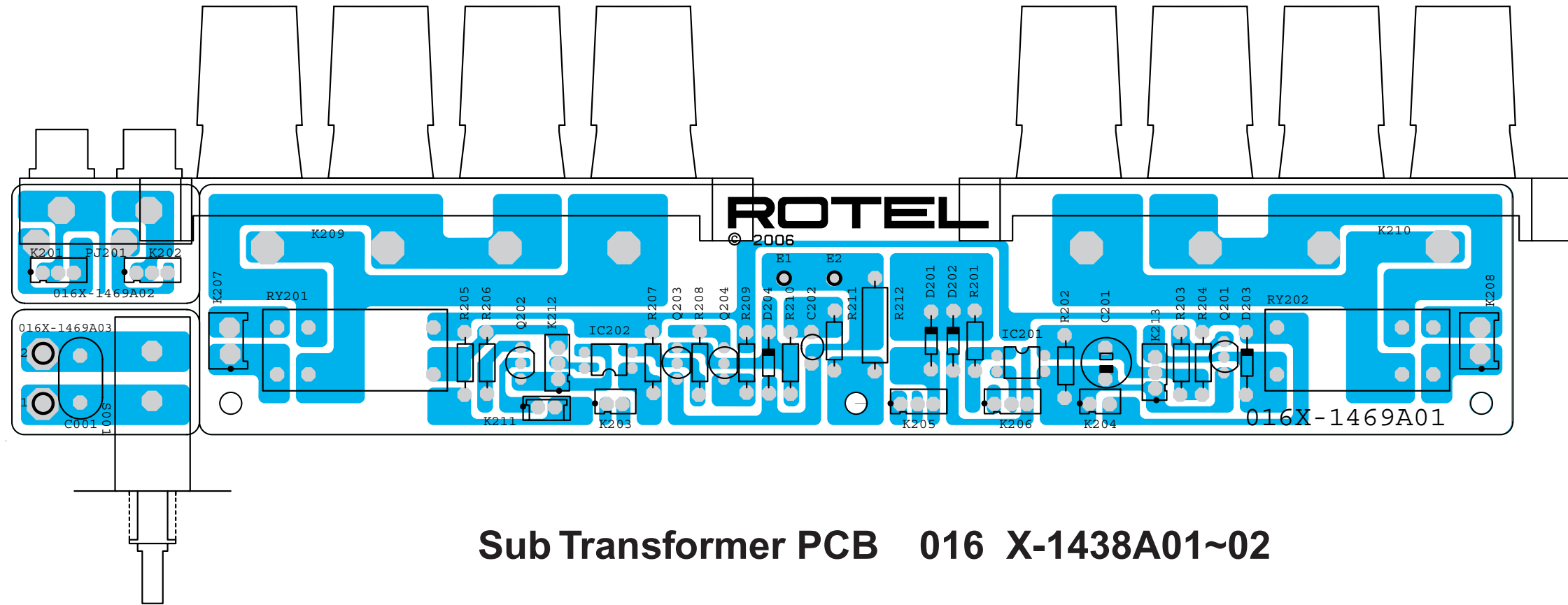


WIRING	CNT ASSY	PCB,etc	ICEPOWER 200ASC(LEFT)	ICEPOWER 200ASC(RIGHT)	X-1438-01
(1)	068 C-4596A05 (2P 120MM)	X-1469-01(K207)	→ J2		
(2)	068 C-4949A01 (8P-2P/3P)	X-1469-01(K203) X-1469-02(K201)	→ J3		
(3)	068 C-4588A07 (3P 140MM)	X-1469-01(K205)	→ J5		
(4)	068 C-4666A09 (3P 320MM)	ICEPOWER 200A(LEFT) (P1)	← CONNECTOR	→ AC1-2 AC2-2	
(5)	068 C-4596A05 (2P 120MM)	X-1469-01(K208)	→ J2		
(6)	068 C-4949A01 (8P-2P/3P)	X-1469-01(K204) X-1469-02(K202)	→ J3		
(7)	068 C-4588A02 (3P 190MM)	X-1469-01(K206)	→ J5		
(8)	068 C-4666A10 (3P 570MM)	ICEPOWER 200A(LEFT) (P1)	← CONNECTOR	→ AC1-2 AC2-2	
(9)	068 C-4588A49 (3P 430MM)	X-1438-02(K103)	→ K101		
(10)	073 RB-1072-M (#31 WHT 400MM)	ACINLET(N)	→ AC2(1)		
(11)	wire(#5)	X-1469-01(E1)	→ W200		
(12)	wire(#5)	X-1469-01(E2)	→ W200		

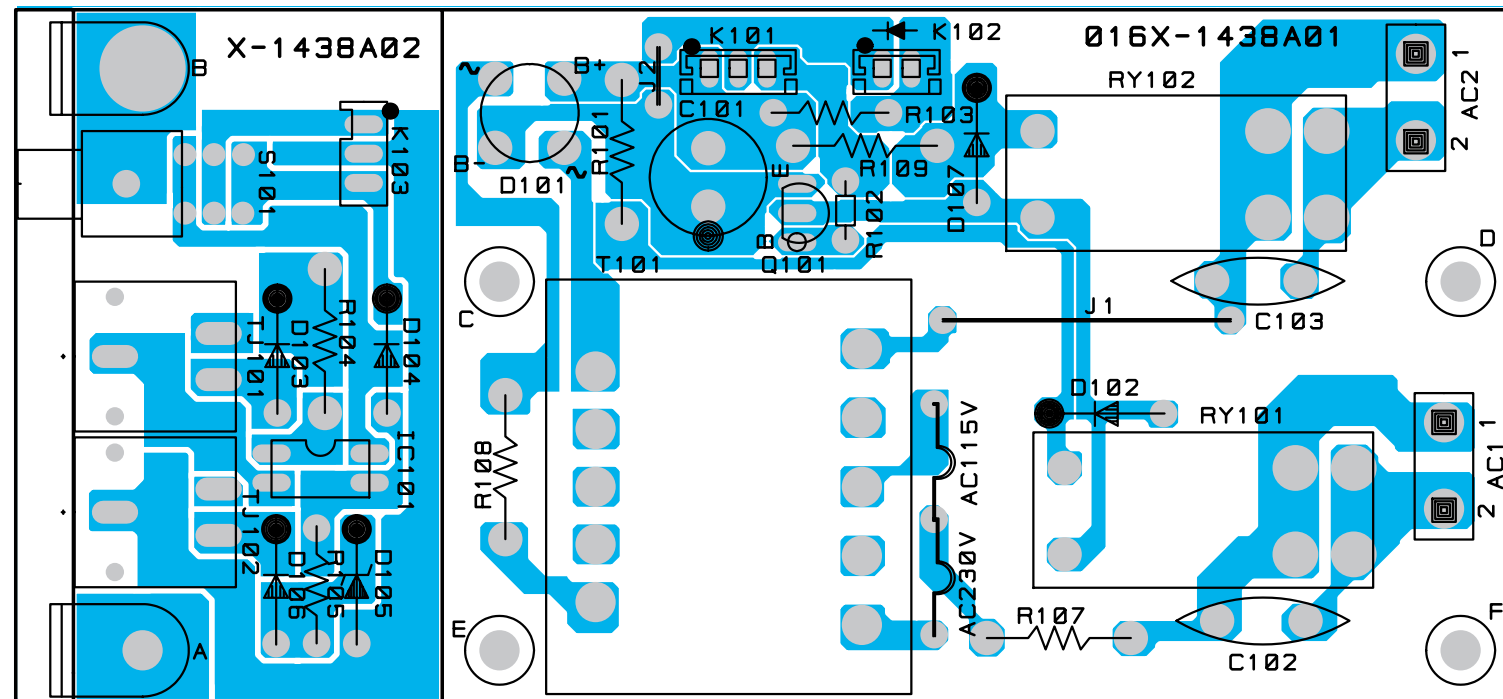
WIRING	CNT ASSY	PCB,etc	X-1469-01	X-1438-01	AC INLET
(13)	068 C-4586A06 (2P 420MM)	PROTECTION LED	→ K211		
(14)	068 C-4586A09 (2P 160MM)	POWER LED	→ K102		
(15)	073 RB-1072-P (#1 280MM)	X-1469-03(1)	→ L		
(16)	073 RB-1072-P	X-1469-03(2)	→ AC1-1		



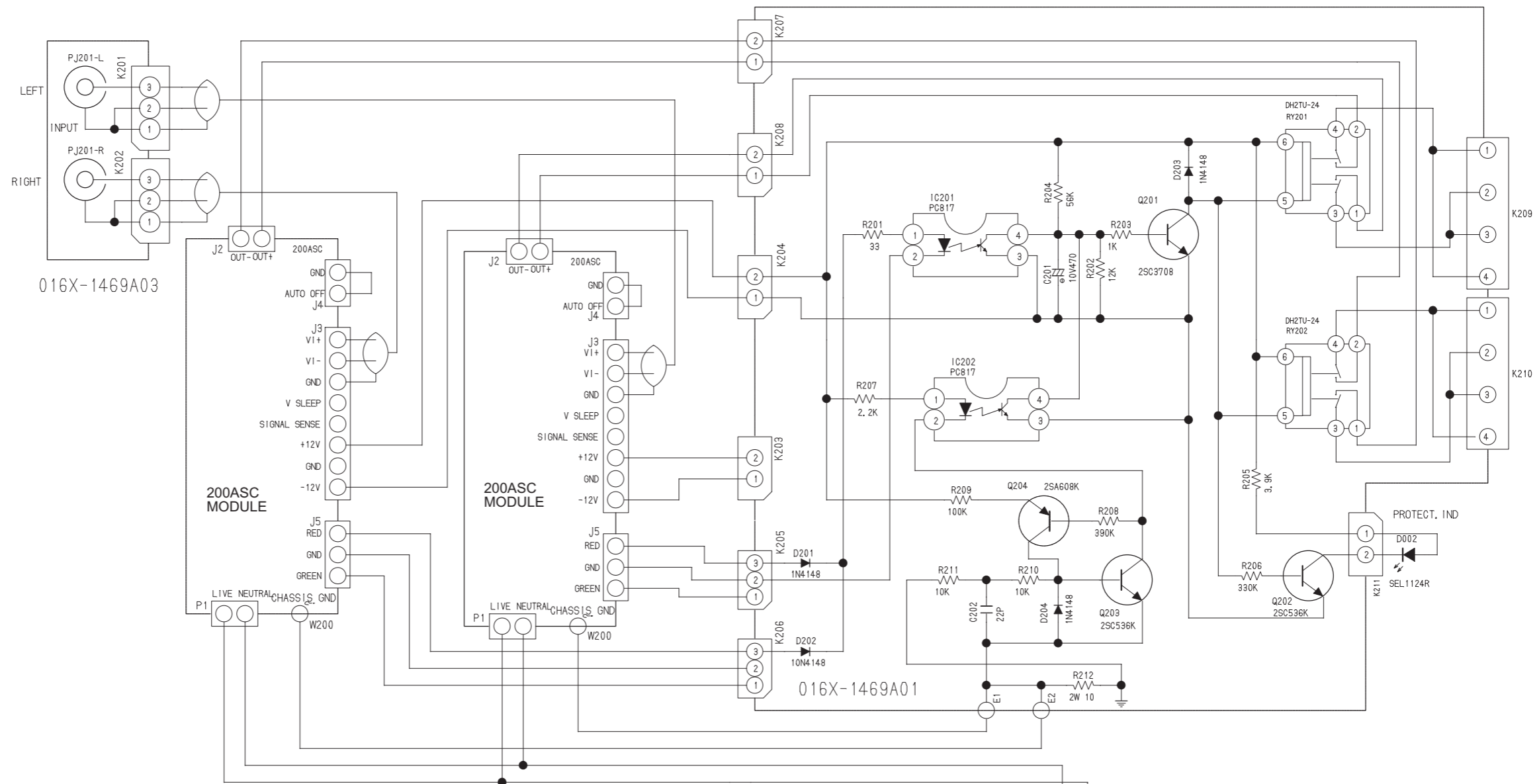
Output and Protection PCB 016 X-1469A01~03



Sub Transformer PCB 016 X-1438A01~02



Schematic Diagram



NOTE ON SAFETY : SYMBOL ⚠️
 FIRE OR ELECTRICAL SHOCK HAZARD.
 ONLY ORIGINAL PARTS SHOULD BE USED
 TO REPLACED ANY PART MARKED WITH SYMBOL ⚠️
 ANY OTHER COMPONENT SUBSTITUTION
 (OTHER THAN ORIGINAL TYPE),MAY INCREASE RISK
 OF FIRE OR ELECTRICAL SHOCK HAZARD.

R103 = 1.5K(RED)
 R103 = 4.7K(BLU)

D001 = SEL1124R(RED)
 D001 = SEL1E24W(BLU)

SCHEMATIC DIAGRAM
 RB-1072