

TECHNICAL MANUAL

ROTEL® RB-850 STEREO POWER AMPLIFIER

TABLE OF CONTENTS

Schematic Diagram.....	1
Wiring Diagram.....	2
Chassis Layout.....	4
Alignment.....	5
Repair Parts List.....	5

THE ROTEL CO., LTD.

1-36-8 OHOKAYAMA, MEGURO-KU, TOKYO 152, JAPAN

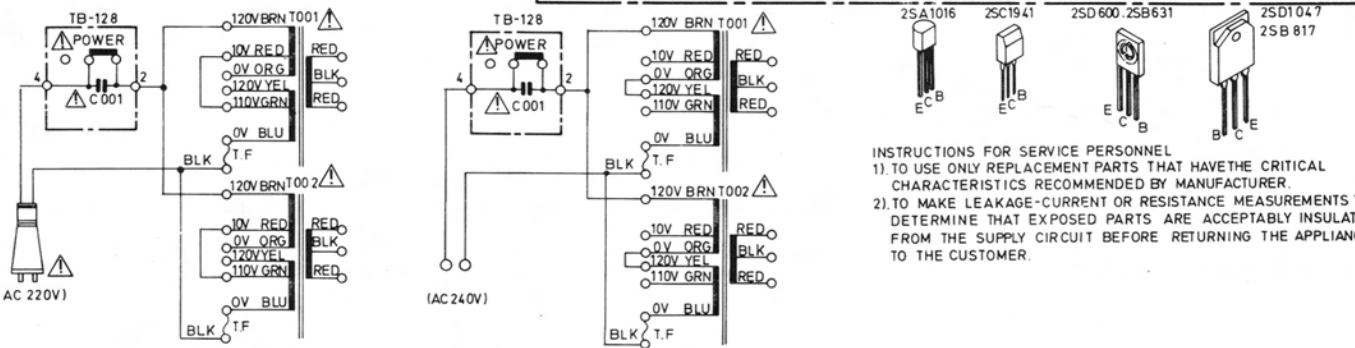
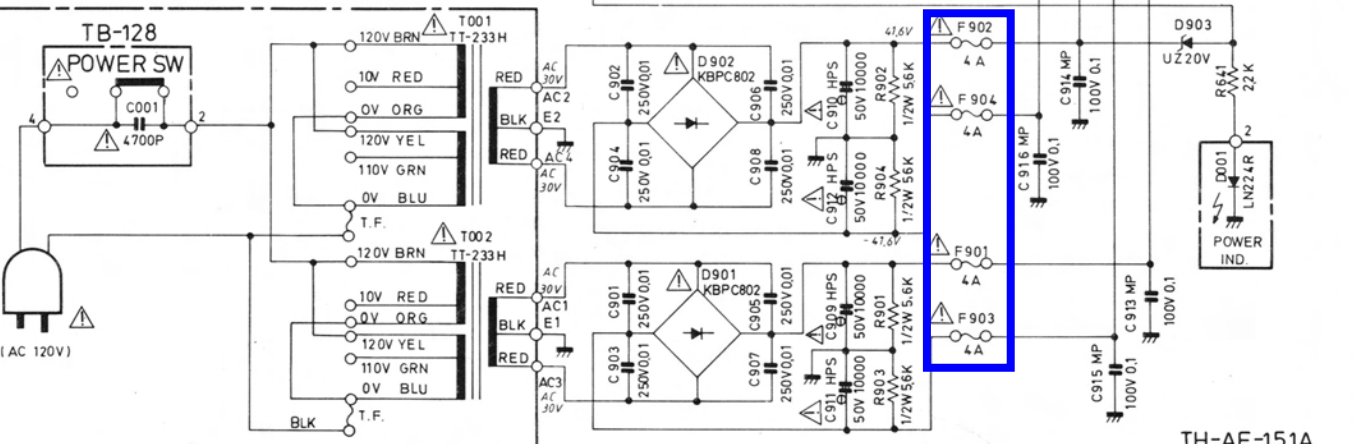
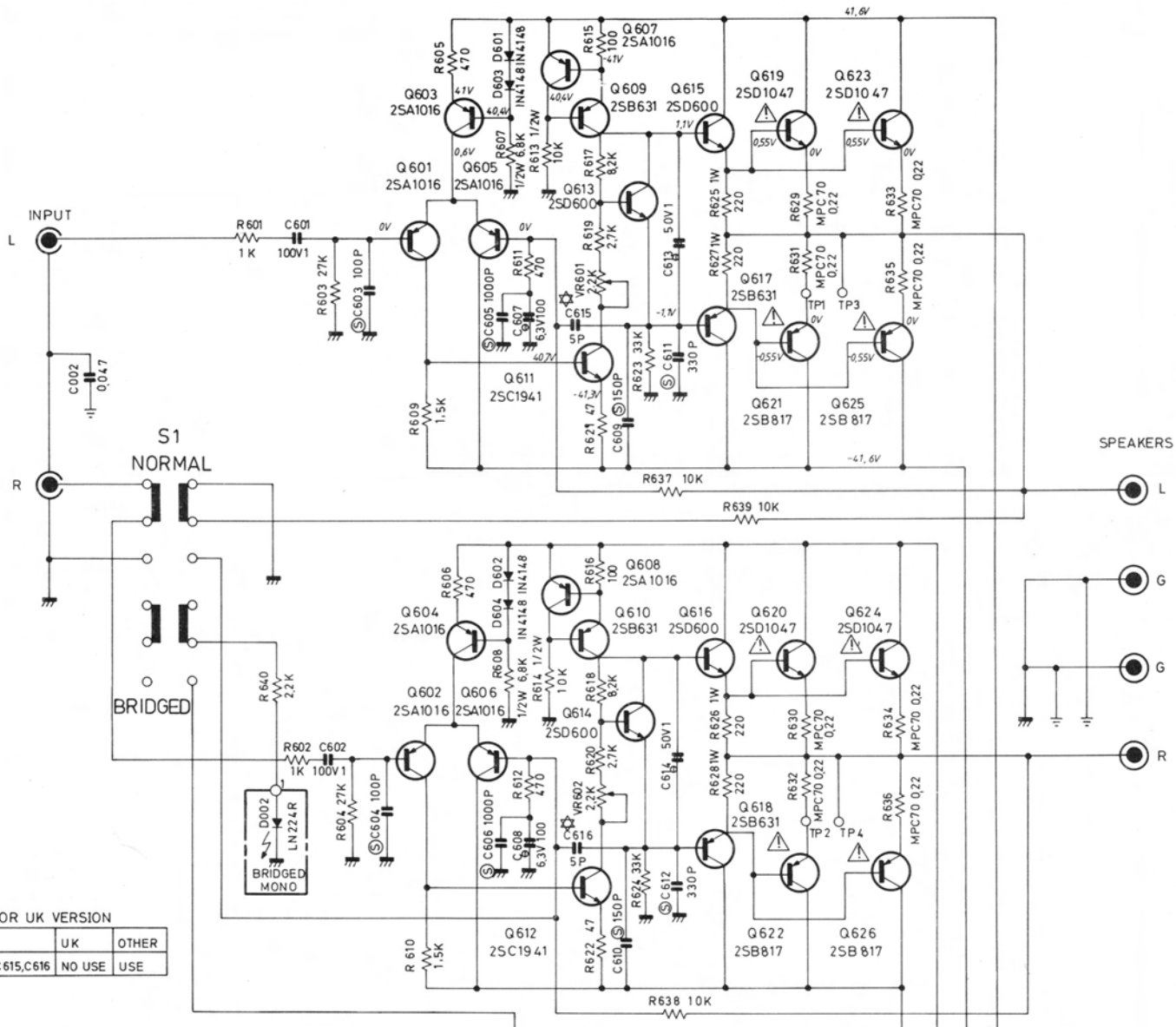
ROTEL ELECTRONICS CO., LTD.

ROTEL BLDG., 3F. NO. 35, FUSING N. ROAD, TAIPEI, TAIWAN, REPUBLIC OF CHINA

MN20001469

Schematic Diagram

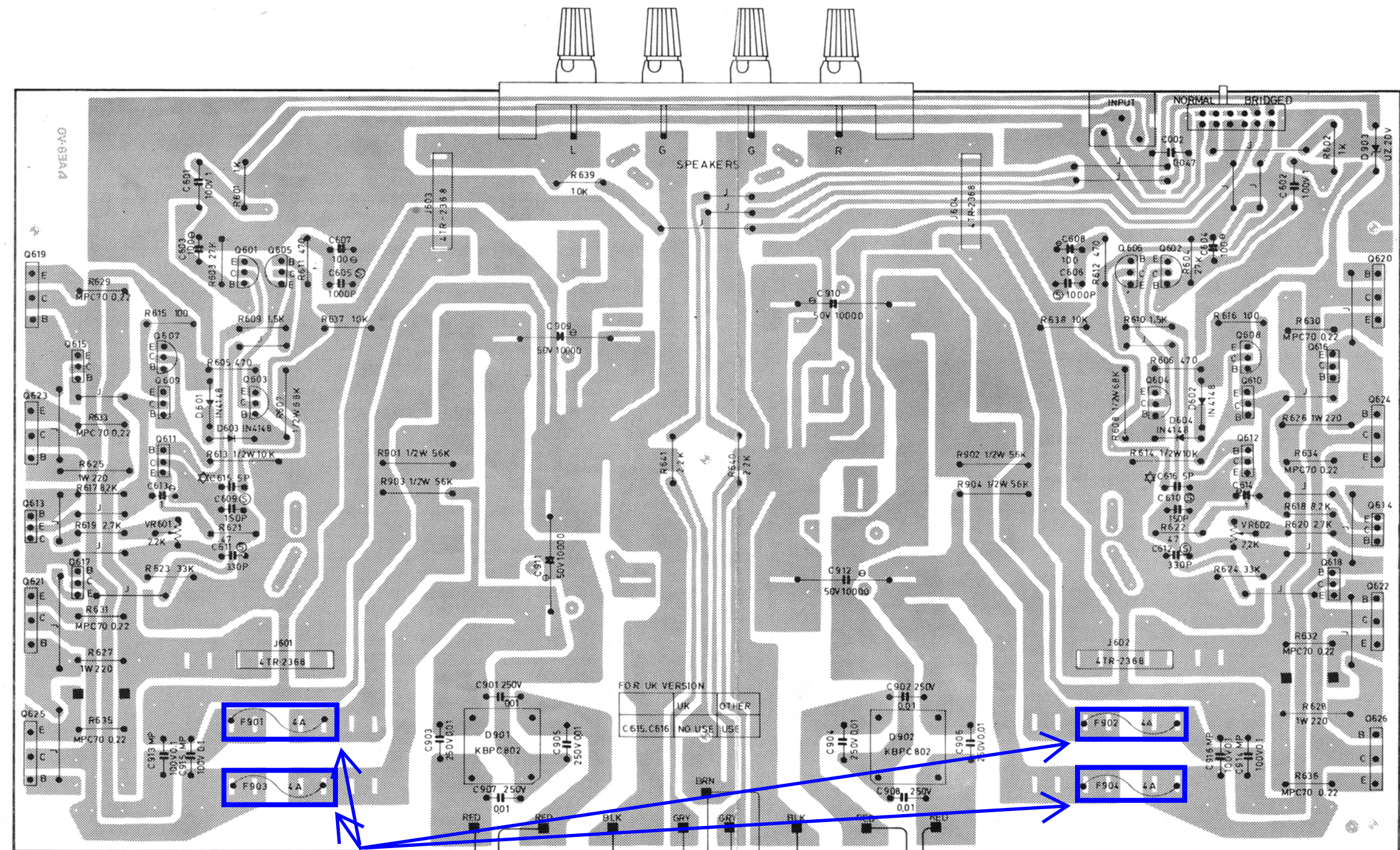
NOTE: PARTS AND CIRCUIT SUBJECT TO CHANGES FOR IMPROVEMENTS WITHOUT PRIOR NOTICE



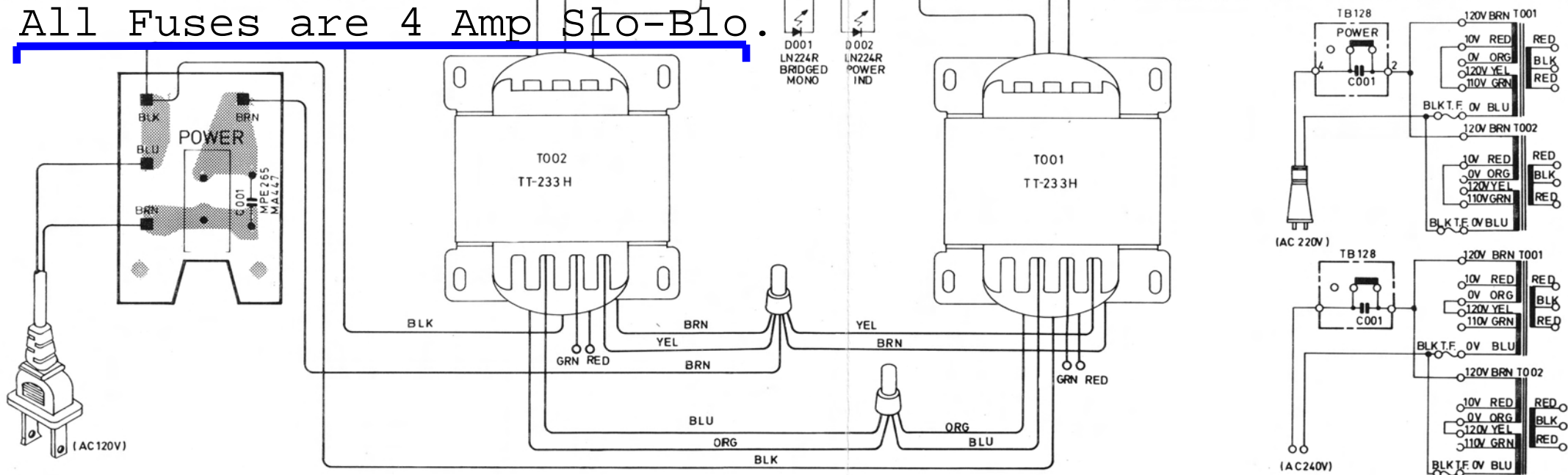
INSTRUCTIONS FOR SERVICE PERSONNEL

- 1) TO USE ONLY REPLACEMENT PARTS THAT HAVE THE CRITICAL CHARACTERISTICS RECOMMENDED BY MANUFACTURER
- 2) TO MAKE LEAKAGE-CURRENT OR RESISTANCE MEASUREMENTS TO DETERMINE THAT EXPOSED PARTS ARE ACCEPTABLY INSULATED FROM THE SUPPLY CIRCUIT BEFORE RETURNING THE APPLIANCE TO THE CUSTOMER.

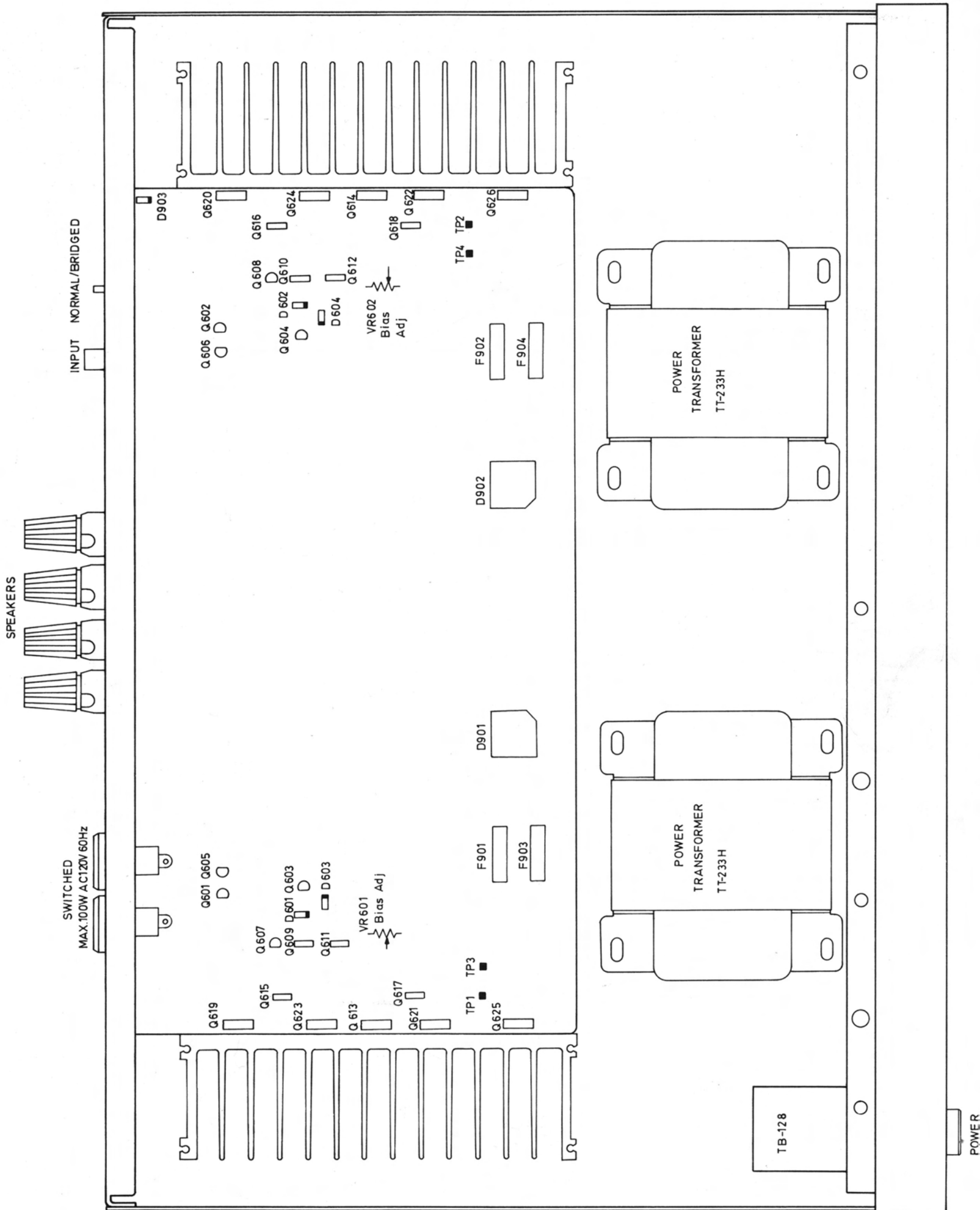
Wiring Diagram



All Fuses are 4 Amp Slo-Blo.



Chassis Layout



Power Amplifier Bias Adjustment

Instruments: DC milli-voltmeter

Notes: Prior to Bias Adjustment, run about 5 minutes with rated output (8 ohm) and warm up Power Transistor and Heat Sink.

Set Volume Control to Minimum.

Step	Coupling		Adjust	Adjust for
	Plus Lead	Minus Lead		
1	TP3	TP1	VR601	DC milli-voltmeter reads. 4 mV
2	TP4	TP2	VR602	

Repair Parts List

Schematic Location	Computer No.	Description
Q601,602	TR10000023	2SA1016(G,H), Differential Amp
Q603,604	TR10000023	2SA1016(G,H), Constant Current
Q605,606	TR10000023	2SA1016(G,H), Differential Amp
Q607,608	TR10000023	2SA1016(G,H), Constant Current
Q609,610	TR10000047	2SB631K(E,F), Constant Current
Q611,612	TR30000169	2SC1941(K,L), Pre-Driver
Q613,614	TR40000069	2SD600K(E,F), Idling Driver
Q615,616	TR40000069	2SD600K(E,F), Power Driver
Q617,618	TR10000047	2SB631K(E,F), Power Driver
Q619,620	TR40000045	2SD1047(D,E), Power Amp.
Q621,622	TR20000040	2SB817(D,E), Power Amp.
Q623,624	TR40000045	2SD1047(D,E), Power Amp.
D601~604	DD10000100	IN4148, Bias Compensator
D901,902	DD10000147	KBPC802/PBPC803, Rectifier
D903	DD20000028	UZ-20B(M,H), Zener Regulator
D001	DD40000095	LN224R, Power LED
D002	DD40000095	LN224R, Bridged LED
VR601,602	RV40000022	RM6CKPV-1S-B 2.2K Bias Adj.
T001,T002	PT23308103	TT-233H, Power Transformer
F901,902	FU11000074	Fuse, Long 250V 4A
	FU12000045	Fuse, 250V 4A UL
	FU21000071	Fuse, Mini 4A
	FU23000049	Fuse, 250V 4A S
S001	SH40000155	C-4176A01, Power Switch