

TECHNICAL MANUAL

ROTEL[®] RC-850 STEREO CONTROL AMPLIFIER

TABLE OF CONTENTS

Chassis Layout.....	1
Repair Parts List.....	1
Wiring Diagram.....	2
Schematic Diagram.....	4

THE ROTEL CO., LTD.

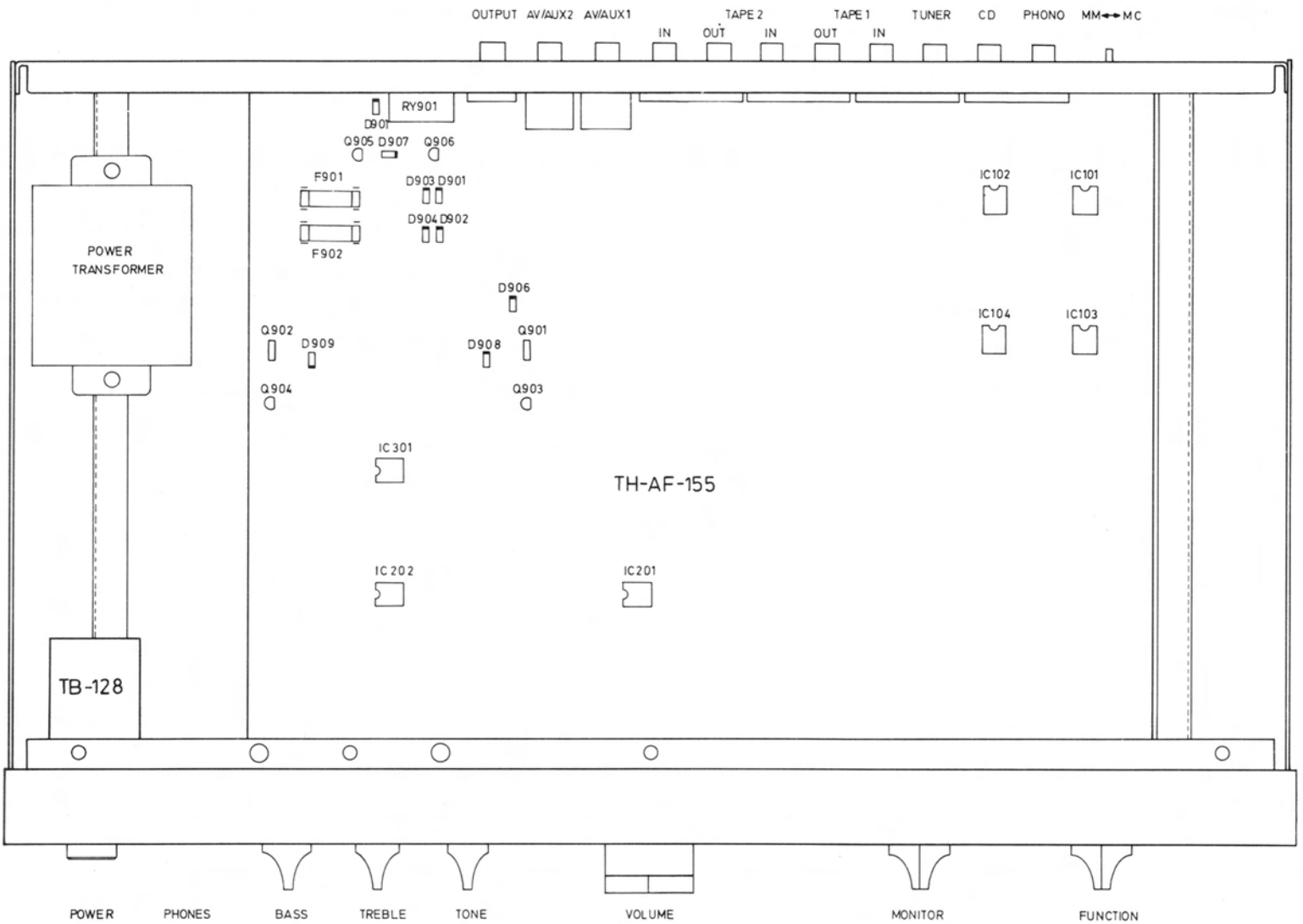
1-36-8 OHOKAYAMA, MEGURO-KU, TOKYO 152, JAPAN

ROTEL ELECTRONICS CO., LTD.

ROTEL BLDG., 3F. NO. 35, FUSING N. ROAD, TAIPEI, TAIWAN, REPUBLIC OF CHINA

MN20001287

Chassis Layout

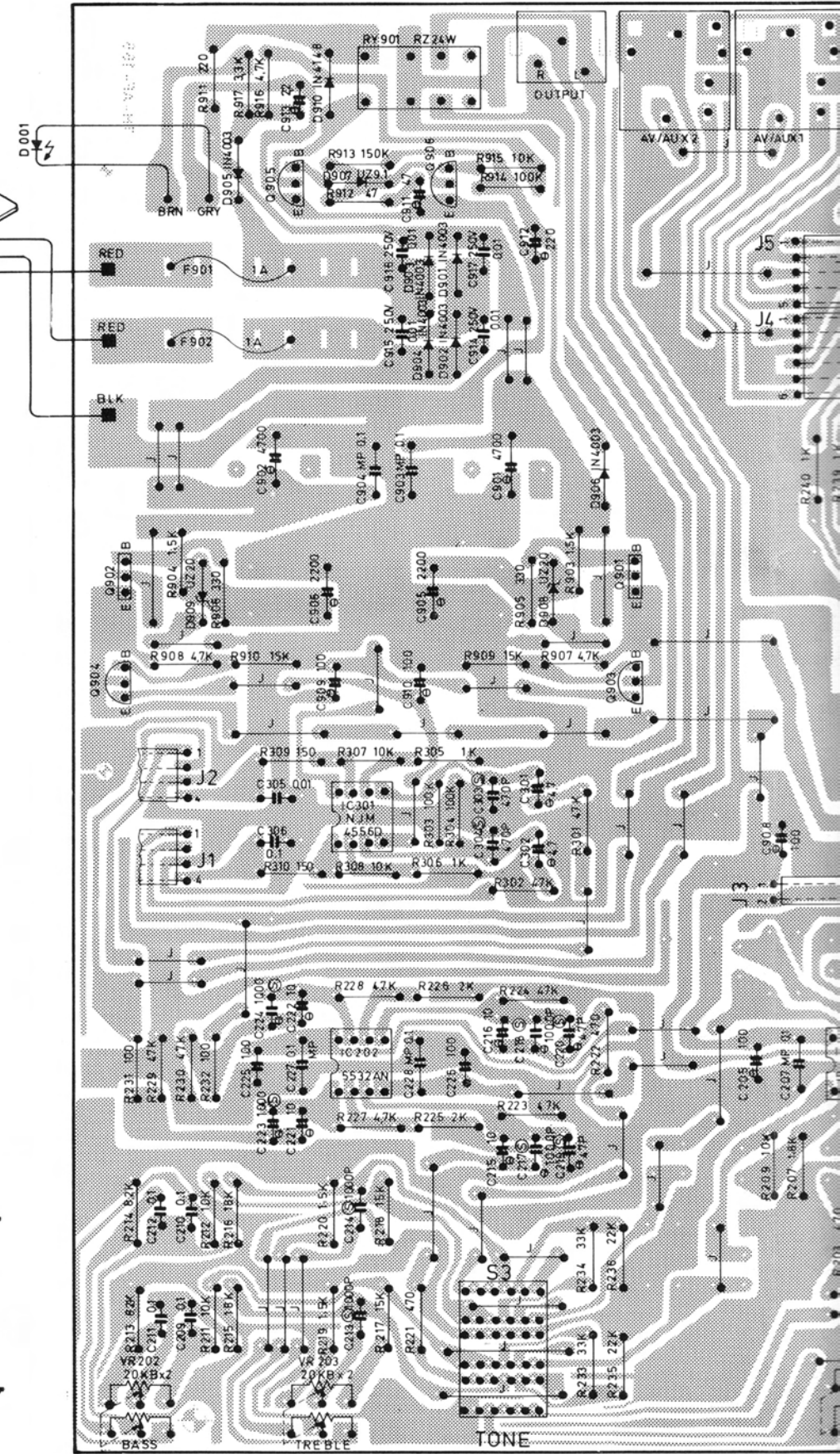
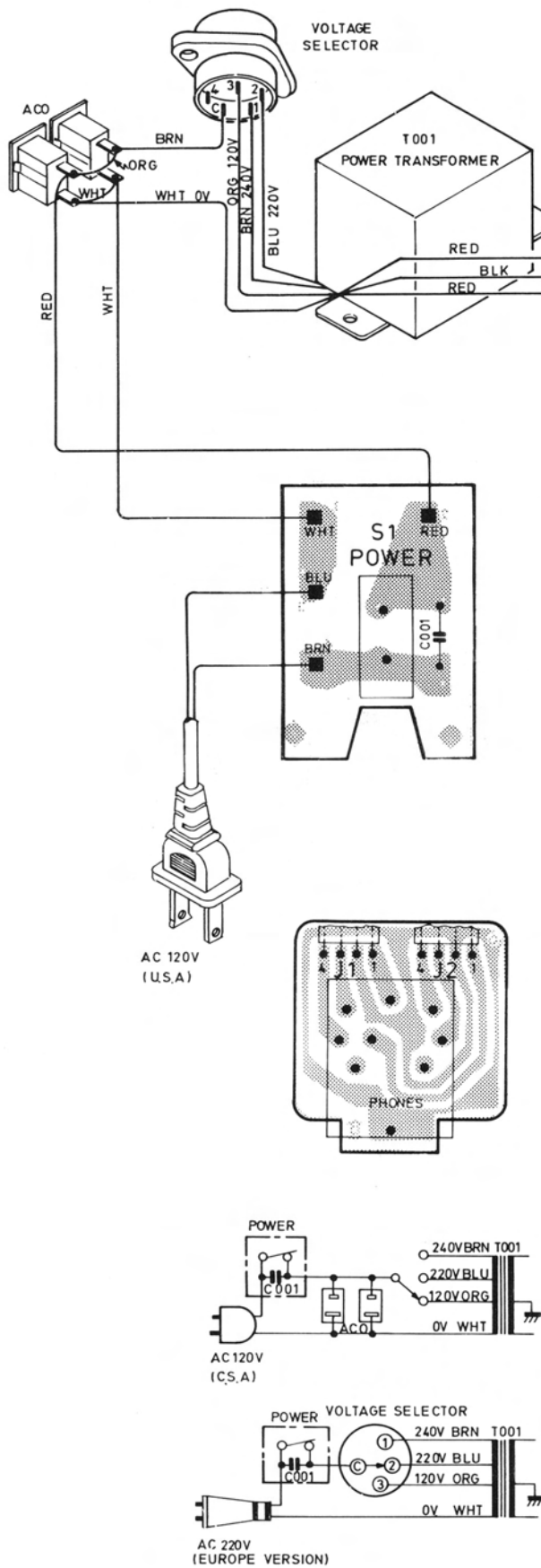


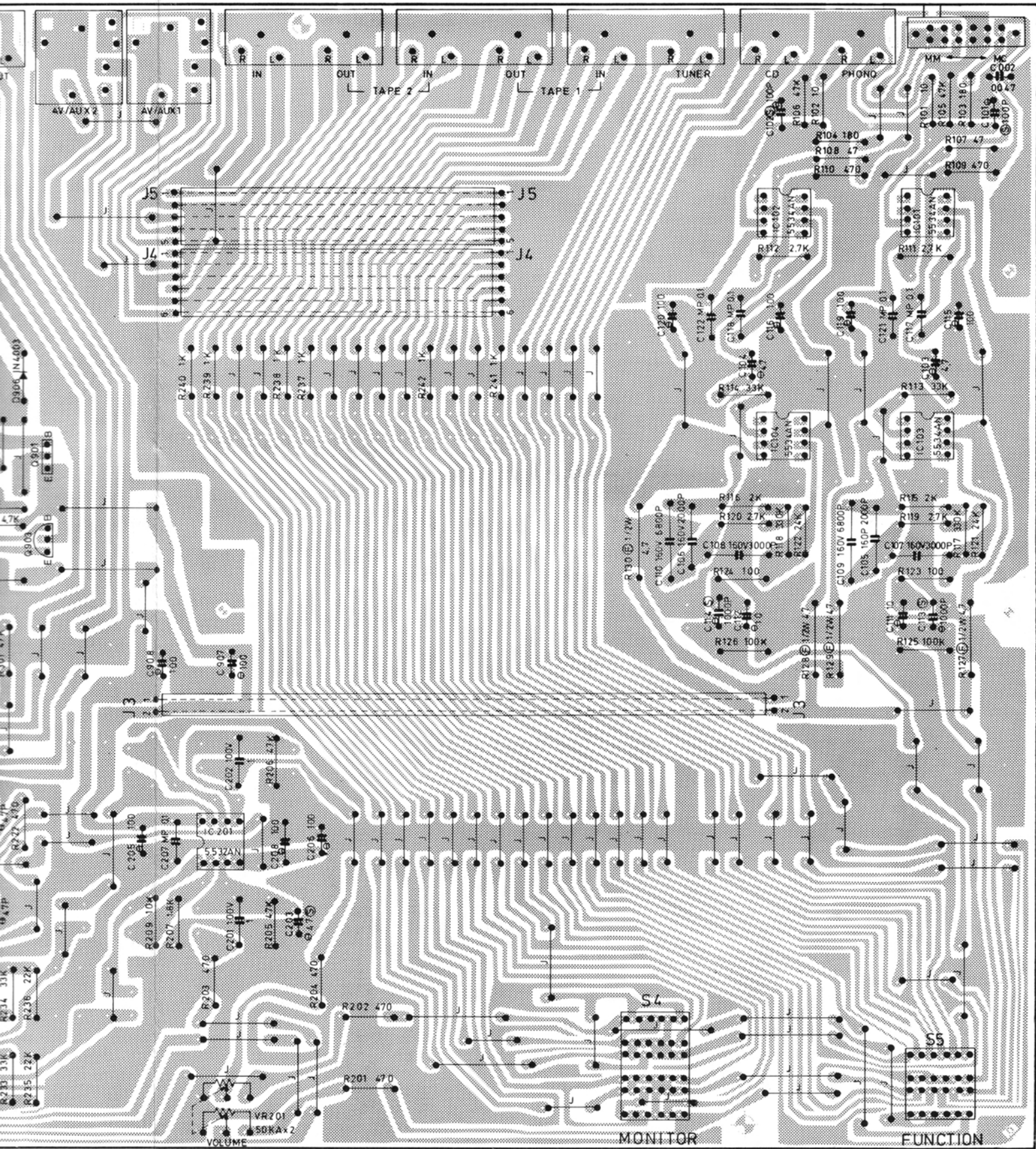
Repair Parts List

Schematic Location	Computer No.	Description
Q901	TR40000069	2SD600K(E,F), Stabilizer
Q902	TR10000047	2SB631K(E,F), Stabilizer
Q903	TR30000121	2SC2274(E,F), Stabilizer
Q904	TR10000140	2SA984K(E,F), Stabilizer
Q905	TR30000327	2SC536G, Relay Driver
Q906	TR30000327	2SC536G, For Switch
IC101,102	IC00001735	NE5534AN, Phono Amp
IC201,202	IC00001693	NE5532AN, Flat Amp.
IC303	IC00001474	NJM4556D, Phone Amp.
D901 ~ 904	DD10000068	IN4003, Diode
D905,906	DD10000068	IN4003, Diode
D907	DD20000132	UZ91.B(M,H), Zener Diode
D910	DD10000100	IN4148, Diode
D001	DD40000095	LN224R, LED
VR201	RV10000048	4TR-1505 50KA x 2, Volume Control
VR202	RV10001139	4TR-2355 20KB x 2, Bass Control
VR203	RV10001139	4TR-2355 20KB x 2, Treble Control

Schematic Location	Computer No.	Description
S1	SH40000120	Power Switch C-3600B-T
S2	SH20000319	Slide Switch, 4TR-2294
S3	SH30000330	Function Switch, C-4174A07
S4	SH30000365	Function Switch, C-4174A08
S5	SH30000328	Function Switch, C-4174A06
T001	PT24607102	TT-246-GF, Power Transformer
F901,902	FU12000070	Fuse, 250V 1A UL
	FU21000022	Fuse, Mini 1A
	FU23000025	Fuse, 250V 1A S

Wiring Diagram





AV/AUX 2
AV/AUX 1

IN OUT
TAPE 2

IN OUT
TAPE 1

TUNER

CD
PHONO

MM MC
C002
C004
C007
C010
C011
C012
C013
C014
C015
C016
C017
C018
C019
C020
C021
C022
C023
C024
C025
C026
C027
C028
C029
C030
C031
C032
C033
C034
C035
C036
C037
C038
C039
C040
C041
C042
C043
C044
C045
C046
C047
C048
C049
C050
C051
C052
C053
C054
C055
C056
C057
C058
C059
C060
C061
C062
C063
C064
C065
C066
C067
C068
C069
C070
C071
C072
C073
C074
C075
C076
C077
C078
C079
C080
C081
C082
C083
C084
C085
C086
C087
C088
C089
C090
C091
C092
C093
C094
C095
C096
C097
C098
C099
C100

J5
J4
J3

R240 1K
R239 1K
R238 1K
R237 1K
R242 1K
R241 1K

R110 1/2W
R116 2K
R120 2.7K
R124 100
R126 100K
R128 12M-47
R135 1/2W-47
R136 100
R137 100
R138 100
R139 100
R140 100
R141 100
R142 2.7K
R143 100
R144 100
R145 100
R146 100
R147 100
R148 100
R149 100
R150 100
R151 100
R152 100
R153 100
R154 100
R155 100
R156 100
R157 100
R158 100
R159 100
R160 100
R161 100
R162 100
R163 100
R164 100
R165 100
R166 100
R167 100
R168 100
R169 100
R170 100
R171 100
R172 100
R173 100
R174 100
R175 100K
R176 100
R177 100
R178 100
R179 100
R180 100
R181 100
R182 100
R183 100
R184 100
R185 100
R186 100
R187 100
R188 100
R189 100
R190 100
R191 100
R192 100
R193 100
R194 100
R195 100
R196 100
R197 100
R198 100
R199 100
R200 100
R201 470
R202 470
R203 470
R204 470
R205 100
R206 100
R207 100
R208 100
R209 100
R210 100
R211 100
R212 100
R213 100
R214 100
R215 100
R216 100
R217 100
R218 100
R219 100
R220 100
R221 100
R222 100
R223 100
R224 100
R225 100
R226 100
R227 100
R228 100
R229 100
R230 100
R231 100
R232 100
R233 100
R234 100
R235 100
R236 100
R237 100
R238 100
R239 100
R240 100

C209 10K
C207 47K
C208 47K
C206 100
C205 100
C204 100
C203 100
C202 100
C201 100
C200 100
C199 100
C198 100
C197 100
C196 100
C195 100
C194 100
C193 100
C192 100
C191 100
C190 100
C189 100
C188 100
C187 100
C186 100
C185 100
C184 100
C183 100
C182 100
C181 100
C180 100
C179 100
C178 100
C177 100
C176 100
C175 100
C174 100
C173 100
C172 100
C171 100
C170 100
C169 100
C168 100
C167 100
C166 100
C165 100
C164 100
C163 100
C162 100
C161 100
C160 100
C159 100
C158 100
C157 100
C156 100
C155 100
C154 100
C153 100
C152 100
C151 100
C150 100
C149 100
C148 100
C147 100
C146 100
C145 100
C144 100
C143 100
C142 100
C141 100
C140 100
C139 100
C138 100
C137 100
C136 100
C135 100
C134 100
C133 100
C132 100
C131 100
C130 100

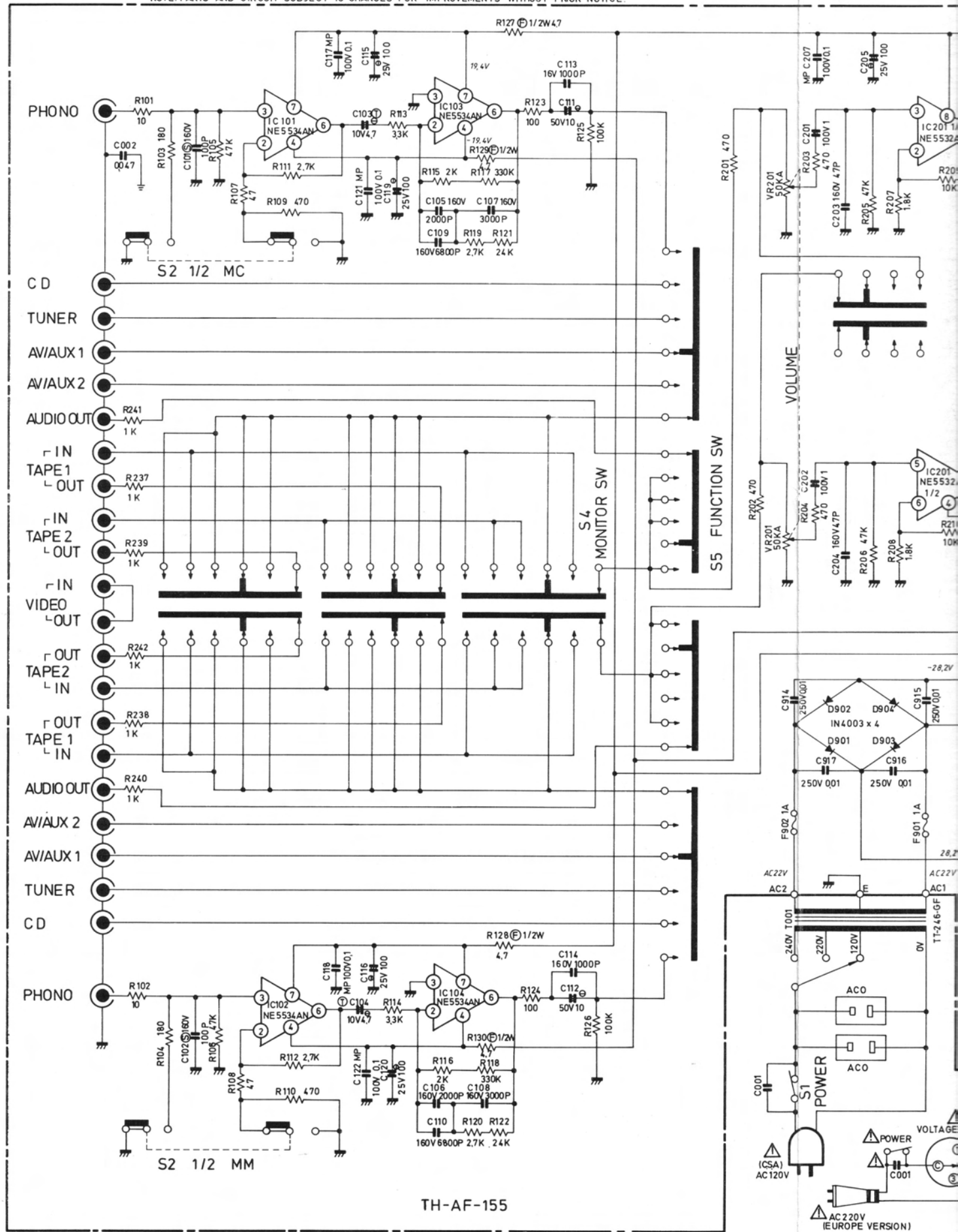
VOLUME
VR201
50KA x 2

MONITOR

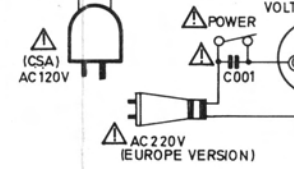
FUNCTION

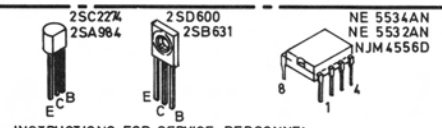
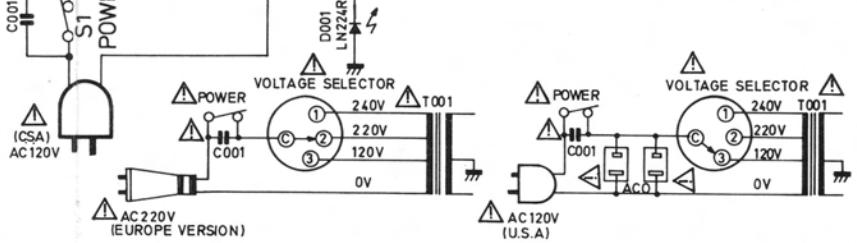
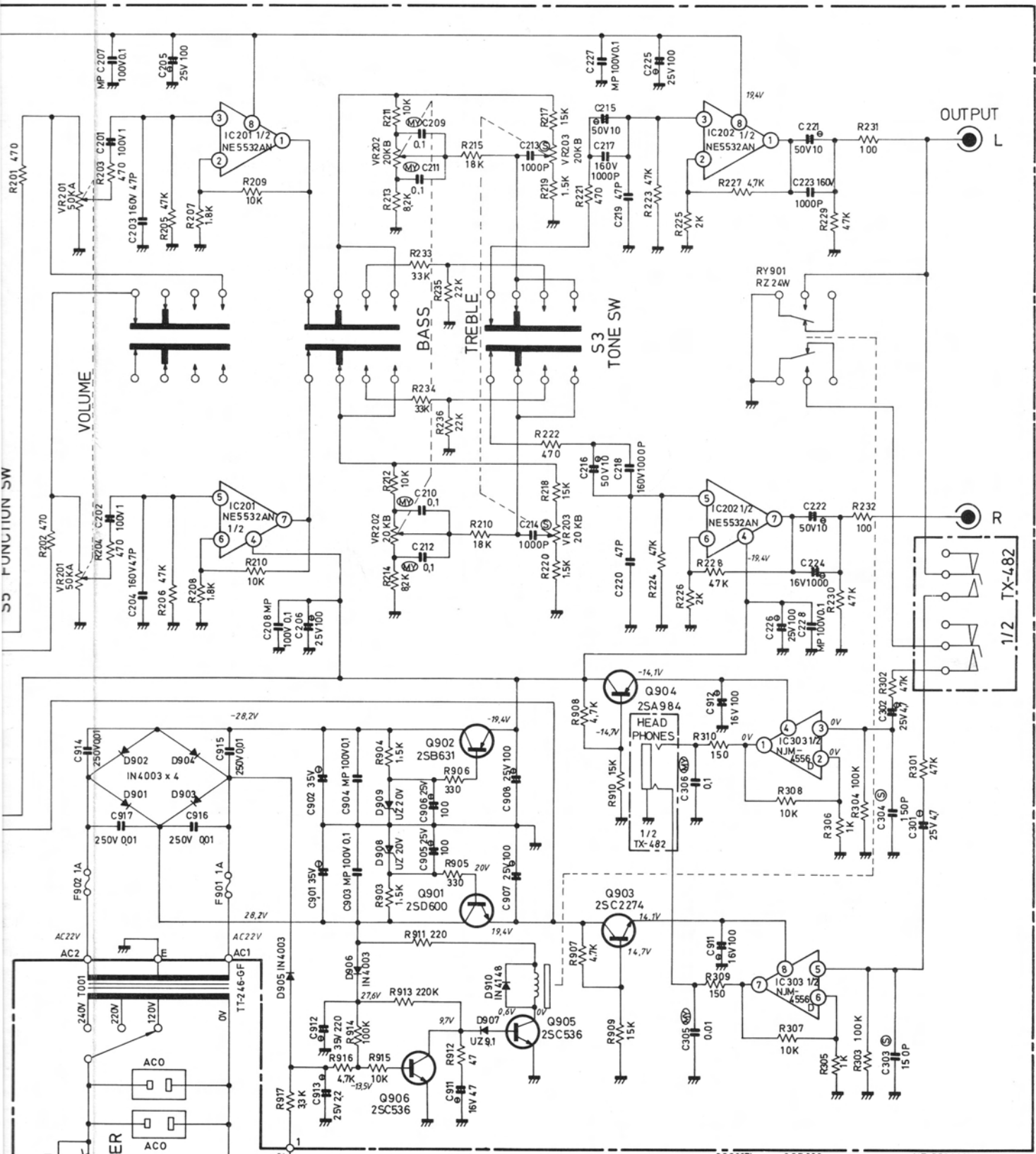
Schematic Diagram

NOTE: PARTS AND CIRCUIT SUBJECT TO CHANGES FOR IMPROVEMENTS WITHOUT PRIOR NOTICE.



TH-AF-155





INSTRUCTIONS FOR SERVICE PERSONNEL

1. TO USE ONLY REPLACEMENT PARTS THAT HAVE THE CRITICAL CHARACTERISTICS RECOMMENDED BY MANUFACTURER.
2. TO MAKE LEAKAGE CURRENT OR RESISTANCE MEASUREMENTS TO DETERMINE THAT EXPOSED PARTS ARE ACCEPTABLY INSULATED FROM THE SUPPLY CIRCUIT BEFORE RETURNING THE APPLIANCE TO THE CUSTOMER.