



Technical Manual

CD MULTIDISC CHANGER RCC-1055-2

Table of Contents

Specification.....	1	PCB Assembly	17
Appearance	2	Schematic Diagram.....	18~20
Parts List	3~8		
Disassembly	9~11		
Adjustment.....	12		
Case Outlines.....	13~14		
Wiring Diagram	15~16		

Specification

Frequency Response (0.5dB)	20-20,000 Hz
Signal to Noise Ratio	>100 dB
Total Harmonic Distortion + Noise	0.0045% @ 1kHz
Intermodulation Distortion	0.0045% @ 1kHz
Dynamic Range	>96 dB
Channel Separation	>98 dB @ 1kHz
Channel Balance	± 0.5 dB
Phase Linearity	± 0.5 degree
Speed Accuracy, Wow & Flutter	Quartz Crystal Precision
Digital to Analog Converter	18 bit equivalent, multi-level Delta-Sigma DAC with 8x oversampling digital filter and HDCD
Maximum Audio Line Output/Impedance	2 Volts/100 Ohms
Digital Output Level (coax)/Impedance	0.5 Volt, Peak to Peak/75 Ohms
Power Requirements	
USA Version	115 Volts, 60 Hz,
European Version	230 Volts, 50 Hz,
Power Consumption	15 Watts
Dimensions (W x H x D)	432 x 121 x 410 mm 17 x 4 ³ / ₄ x 16 ¹ / ₈ inches
Panel Height	109 mm / 4 ⁹ / ₃₂ inches
Weight (net)	7.8 kg, 17.2 lb.

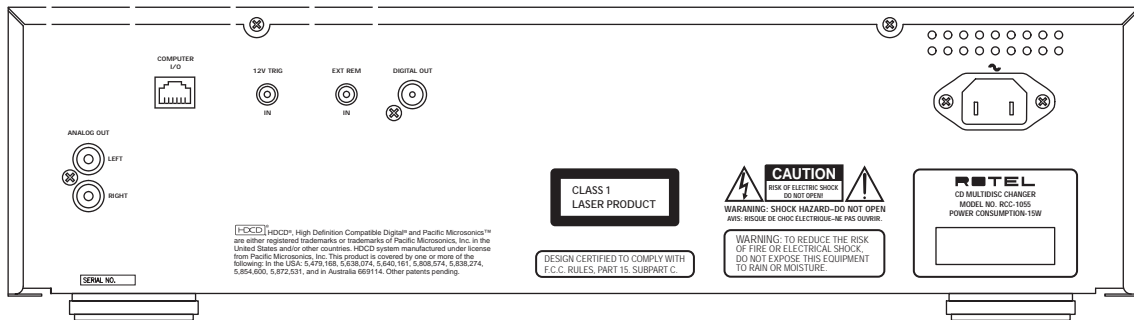
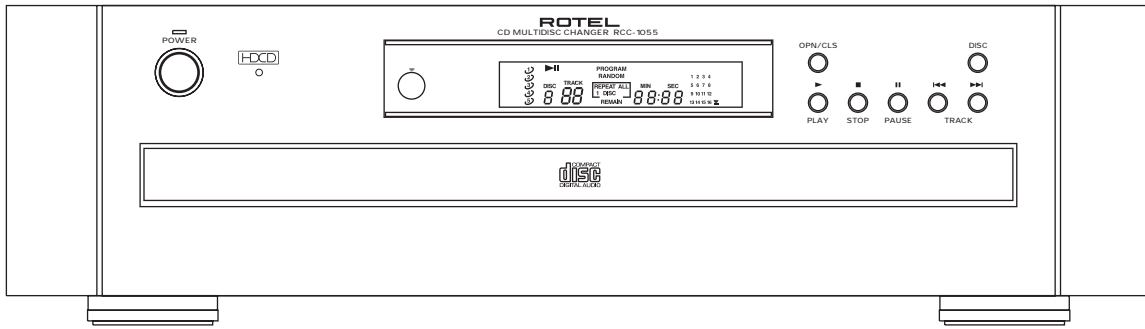
THE ROTEL CO., LTD

BUNZAN-SHINSEN-BLD. 4F 10-10 SHINSEN-CHO, SHIBUYA-KU,
TOKYO 150-0045, JAPAN

Serial. NO.	
Beginning	3021001 ~

Appearance

RCC-1055



SYMBOL	PARTS NO.	DESCRIPTION
A U D I O P C B		
	704-RCC1055-4270	AUDIO PCB ASS'Y
C101,121,122,125-128,911-913	413-RCC955A-361	ELECTROLYTIC CAPACITOR 25V100uF
C102,104,106,109	413-RCC955A-365	LAYER CAPACITOR 50V473K
C103,105,107,108,110	413-RCC955A-359	ELECTROLYTIC CAPACITOR 25V47uF
C111,112	413-RCC1055-791	ELECTROLYTIC CAPACITOR 50V4.7uF
C113,114	413-RCC1055-792	POLYSTYRENE CAPACITOR 160V100pF
C115,116,119,120	413-RCC955A-364	POLYSTYRENE CAPACITOR 160V1000pF
C117,118	413-RCC955A-363	POLYSTYRENE CAPACITOR 160V560pF
C123,901-904,907,908,910,914	413-3113-028	CERAMIC CAPACITOR 0.01uF
C129	413-3113-052	ELECTROLYTIC CAPACITOR 50V10uF
C905,906	413-SPPW3-239	ELECTROLITIC CAPACITOR 35V4700uF
C909	413-3113-049	ELECTROLYTIC CAPACITOR 50V1uF
C918	413-HS100-180	ELECTROLITIC CAPACITOR 25V100uF
C919	413-1430-071	CERAMIC CAPACITOR 1000pF
C920	413-PMSE1-258	CERAMIC CAPACITOR 100pF
CN101 TO CN105	404-RCC1055-1534	6P CONNECTOR WIRE
CON101	404-HV3500K-630	6P SOCKET B6B-XH-A
CON102	404-KMD1500-608	2P SOCKET B2B-XH-A
CON901	404-RCC955A-707	3P SOCKET PITCH 3.96mm
D901-906	414-RCC955A-074	DIODE 1N4003 200V 1A
D907	414-HT8015-024	ZENER DIODE 1/2W 6.2V
D908	414-2002-002	DIODE 1N4148
D909	414-3113-005	DIODE 1SS132/1SS133
IC101	417-RCC1055-600	IC DAC PCM1732, SOP-28
IC103,104	417-RCC955A-293	IC OPEAMP OP275GP, DIP
IC901	417-KC730-123	IC (REGULATOR +5V) 7805
IC902	417-DV330-216	IC (REGULATOR +15V) 7815
IC904	417-RCC955A-291	IC (REGULATOR -15V) 7915
JK01	420-RCC955A-089	2P PIN JACK
L101	415-RCC955A-093	MICRO INDUCTOR 4.7uH
L102-104	415-RCC955A-094	MICRO INDUCTOR 33uH
Q901-903,905	416-3113-007	TRANSISTOR 2SC1740R
Q904	416-3113-008	TRANSISTOR 2SA933SR/2SA608G
R101-103,125,126	412-RCC955A-382	METAL FILM RESISTOR 1/4W 100R
R109	412-RCC955A-381	METAL FILM RESISTOR 1/4W 22R
R111,112	412-RCC955A-383	METAL FILM RESISTOR 1/4W 470R
R113,114	412-RCC1055-717	METAL FILM RESISTOR 1/4W 33K
R115,116	412-RCC955A-386	METAL FILM RESISTOR 1/4W 12K
R117,118	412-RCC1055-715	METAL FILM RESISTOR 1/4W 3.3K
R119,120	412-RCC1055-718	METAL FILM RESISTOR 1/4W 1.2K
R121,122	412-RCC1055-716	METAL FILM RESISTOR 1/4W 2.7K
R123,124	412-RCC955A-387	METAL FILM RESISTOR 1/4W 560K
R127	412-3113-083	CARBON FILM RESISTOR 1/4W 15K
R128	412-DV300-285	CARBON FILM RESISTOR 1/4W 330R
R129,130	412-D396-135	CARBON FILM RESISTOR 1/6W 1.5K
R131	412-3113-063	CARBON FILM RESISTOR 1/6W 47K
R901	412-3113-088	CARBON FILM RESISTOR 1/4W 22K
R902	412-RCC955A-380	CARBON FILM RESISTOR 1/4W 3.3K
R903	412-3113-084	CARBON FILM RESISTOR 1/4W 10K
R904	412-3113-081	CARBON FILM RESISTOR 1/4W 82K
R905	412-3113-087	CARBO FILM RESISTOR 1/4W 100K
R906	412-3113-092	CARBON FILM RESISTOR 1/4W 56K
R907	412-3113-059	CARBON FILM RESISTOR 1/W 22K
R908	412-PMSE1-278	CARBON FILM RESISTOR 1/4W 820R

SYMBOL	PARTS NO.	DESCRIPTION
R909	412-RCC1055-753	MOF RESISTOR 1W 56R
RY901	415-RCC955A-095	RELAY A24W-K
S E R V O P C B		
	704-RCC1055-4266	SERVO PCB ASS'Y
CN101	404-HV3423K-583	16P FFC SOCKET
JK101	420-RCC1055-156	1P JACK DIGITAL OUT
CN204	404-DCM270X-793	27P FFC SOCKET
JK203	420-HMDV3360K-5014	3.5Φ MINI JACK
JK202	420-RCC1055-155	3.5Φ MINI JACK
CN102	404-RCC955A-707	3P SOCKET PITCH 3.96mm
CN205	404-DCM270E3-878	4P SOCKET S4B-PH-K
CN103	404-SPPW3-513	5P SOCKET S5B-XH-A
CN105	404-HV3500K-630	6P SOCKET B6B-XH-A
CN104	404-90V1-101	6P SOCKET S6B-PH-K-S
CN201	404-KMD280-277	7P SOCKET
CN202	404-501-085	BASE 8P
R135	412-3113-082	CARBON FILM RESISTOR 1/4W 2.2K
R134	412-HTV8033-5020	CARBON FILM RESISTOR 1/4W 2.2R
R269,270	412-3113-060	CARBON FILM RESISTOR 1/6W 100R
R262	412-KC220-132	CARBON FILM RESISTOR 1/6W 10R
R224,229,230	412-3113-053	CARBON FILM RESISTOR 1/6W 15K
R261	412-3113-078	CARBON FILM RESISTOR 1/6W 1K
R163-165,172	412-3113-058	CARBON FILM RESISTOR 1/6W 220R
R219,231	412-3113-059	CARBON FILM RESISTOR 1/6W 22K
R159	412-HDJ7000-377	CARBON FILM RESISTOR 1/6W 27R
R136	412-3113-055	CARBON FILM RESISTOR 1/6W 4.7K
R253	412-3113-063	CARBON FILM RESISTOR 1/6W 47K
R236-239	412-3113-069	CARBON FILM RESISTOR 1/6W 6.8K
R196	412-KCG220-197	CARBON FILM RESISTOR 1/6W 75R
C105,106,120,127	413-DV330-312	CHIP CAPACITOR 0.01uF 0805
C129,139,145,158	413-DV330-312	CHIP CAPACITOR 0.01uF 0805
C180,181,214	413-DV330-312	CHIP CAPACITOR 0.01uF 0805
C206-210,213	413-DV330-312	CHIP CAPACITOR 0.01uF 0805
C119,126,128,149	413-DV330-321	CHIP CAPACITOR 0.033uF 0805
C108,122,134	413-HDJ9500-458	CHIP CAPACITOR 0.047uF 0805
C184,186	413-HDJ9500-458	CHIP CAPACITOR 0.047uF 0805
C110,112,114-116	413-DV330-313	CHIP CAPACITOR 0.1uF 0805
C133,137,142,146	413-DV330-313	CHIP CAPACITOR 0.1uF 0805
C148,157,170,171	413-DV330-313	CHIP CAPACITOR 0.1uF 0805
C183,189,191,211	413-DV330-313	CHIP CAPACITOR 0.1uF 0805
C217,220,228,233	413-DV330-313	CHIP CAPACITOR 0.1uF 0805
C104,221	413-DV330-311	CHIP CAPACITOR 1000pF 0805
C121,153	413-DV330-310	CHIP CAPACITOR 100pF 0805
C218,219	413-DV330-326	CHIP CAPACITOR 12pF 0805
C135	413-PRODJ2-465	CHIP CAPACITOR 1500pF 0805
C185	413-HV3500K-353	CHIP CAPACITOR 150pF 0805
C117	413-STR880-619	CHIP CAPACITOR 180pF 0805
C131,143,144	413-DV330-315	CHIP CAPACITOR 20pF 0805
C154,155	413-DV330-315	CHIP CAPACITOR 20pF 0805
C107,113	413-DV330-316	CHIP CAPACITOR 2200pF 0805
C138	413-AMC110D-5104	CHIP CAPACITOR 220pF 0805
C132	413-DV330-319	CHIP CAPACITOR 2700pF 0805
C130	413-HDJ2000-613	CHIP CAPACITOR 2pF 0805
C109	413-DV330-323	CHIP CAPACITOR 4700pF 0805
C223	413-PRODJ2-464	CHIP CAPACITOR 470pF 0805

SYMBOL	PARTS NO.	DESCRIPTION
C187	413-AMC110D-5094	CHIP CAPACITOR 47pF 0805
C224	413-RCC1055-697	CHIP CAPACITOR 56pF 0805
R133,160	412-HV3500K-367	CHIP RESISTOR 1/8W 0R 0805
R118	412-AMC110D-5061	CHIP RESISTOR 1/8W 1.8K 0805
R103,111-113,132	412-DV330-307	CHIP RESISTOR 1/8W 100K 0805
R254	412-DV330-304	CHIP RESISTOR 1/8W 100R 0805
R129,131,137,139	412-DV330-306	CHIP RESISTOR 1/8W 10K 0805
R185-187,265-268	412-DV330-306	CHIP RESISTOR 1/8W 10K 0805
R102	412-DV330-344	CHIP RESISTOR 1/8W 10R 0805
R126	412-DV330-310	CHIP RESISTOR 1/8W 120K 0805
R138	412-DV330-330	CHIP RESISTOR 1/8W 12K 0805
R114	412-AMC110D-5079	CHIP RESISTOR 1/8W 150K 0805
R223,233,234	412-DV330-331	CHIP RESISTOR 1/8W 15K 0805
R106	412-CDMIX2-506	CHIP RESISTOR 1/8W 180K 0805
R117,227,228	412-AMC110D-5057	CHIP RESISTOR 1/8W 18K 0805
R143,168	412-DV330-305	CHIP RESISTOR 1/8W 1K 0805
R130,240	412-DV330-308	CHIP RESISTOR 1/8W 1M 0805
R104	412-DV330-313	CHIP RESISTOR 1/8W 2.2K 0805
R169-171	412-DV330-333	CHIP RESISTOR 1/8W 220R 0805
R220,225,226	412-DV330-314	CHIP RESISTOR 1/8W 22K 0805
R232,235	412-DV330-314	CHIP RESISTOR 1/8W 22K 0805
R221	412-CDN88-014	CHIP RESISTOR 1/8W 270R 0805
R105	412-DV330-315	CHIP RESISTOR 1/8W 27K 0805
R128,140	412-DV330-317	CHIP RESISTOR 1/8W 3.3K 0805
R115	412-CDN88-500	CHIP RESISTOR 1/8W 330K 0805
R158	412-DV330-320	CHIP RESISTOR 1/8W 4.7K 0805
R116	412-QMX2-120	CHIP RESISTOR 1/8W 470K 0805
R107-110,123	412-DV330-321	CHIP RESISTOR 1/8W 47K 0805
R141	412-CDMIX2-507	CHIP RESISTOR 1/8W 510K 0805
R121	412-DV330-337	CHIP RESISTOR 1/8W 56K 0805
R127	412-HDJ2650-102	CHIP RESISTOR 1/8W 6.8K 0805
R119	412-CDN88-024	CHIP RESISTOR 1/8W 680K 0805
R125	412-DV330-325	CHIP RESISTOR 1/8W 8.2K 0805
R120,122,124	412-STR880-480	CHIP RESISTOR 1/8W 82K 0805
R101	412-CD3100-400	CHIP RESISTOR 1/8W 91R 0805
X101	427-KC710-019	CRYSTAL 16.9344MHz
X201	427-DV300-5017	CRYSTAL 8 MHZ
L105	415-RCC955A-091	DIGITAL OUT COIL (P-7GB)
Q106	416-1330-020	DIGITAL TRANSISTOR 2SC4120-TS
D111-114	414-DJ2500-110	DIODE 1N4001 50V1A
D105	414-DV300-5014	DIODE 1N4002 100V1A
C102,103,111,124	413-3113-046	ELECTROLYTIC CAPACITOR 10V100uF
C125,136,141,150	413-3113-046	ELECTROLYTIC CAPACITOR 10V100uF
C156,182,190,216	413-3113-046	ELECTROLYTIC CAPACITOR 10V100uF
C227	413-3113-046	ELECTROLYTIC CAPACITOR 10V100uF
C147,176	413-KC220-119	ELECTROLYTIC CAPACITOR 10V220uF
C212	413-PXE90-109	ELECTROLYTIC CAPACITOR 16V100uF
C174	413-HDJ200-230	ELECTROLYTIC CAPACITOR 16V3300uF
C123,232	413-3113-052	ELECTROLYTIC CAPACITOR 25V10uF
C178	413-HMD5000-356	ELECTROLYTIC CAPACITOR 35V100uF
C179	413-HC1421FR-227	ELECTROLYTIC CAPACITOR 35V10uF
C140	413-KT350-093	ELECTROLYTIC CAPACITOR 50V0.47uF
C177	413-HC1421FR-277	ELECTROLYTIC CAPACITOR 50V100uF
C234-237	413-3113-049	ELECTROLYTIC CAPACITOR 50V1uF
C229	413-3113-045	ELECTROLYTIC CAPACITOR 50V2.2uF
C118,215	413-3113-050	ELECTROLYTIC CAPACITOR 50V4.7uF

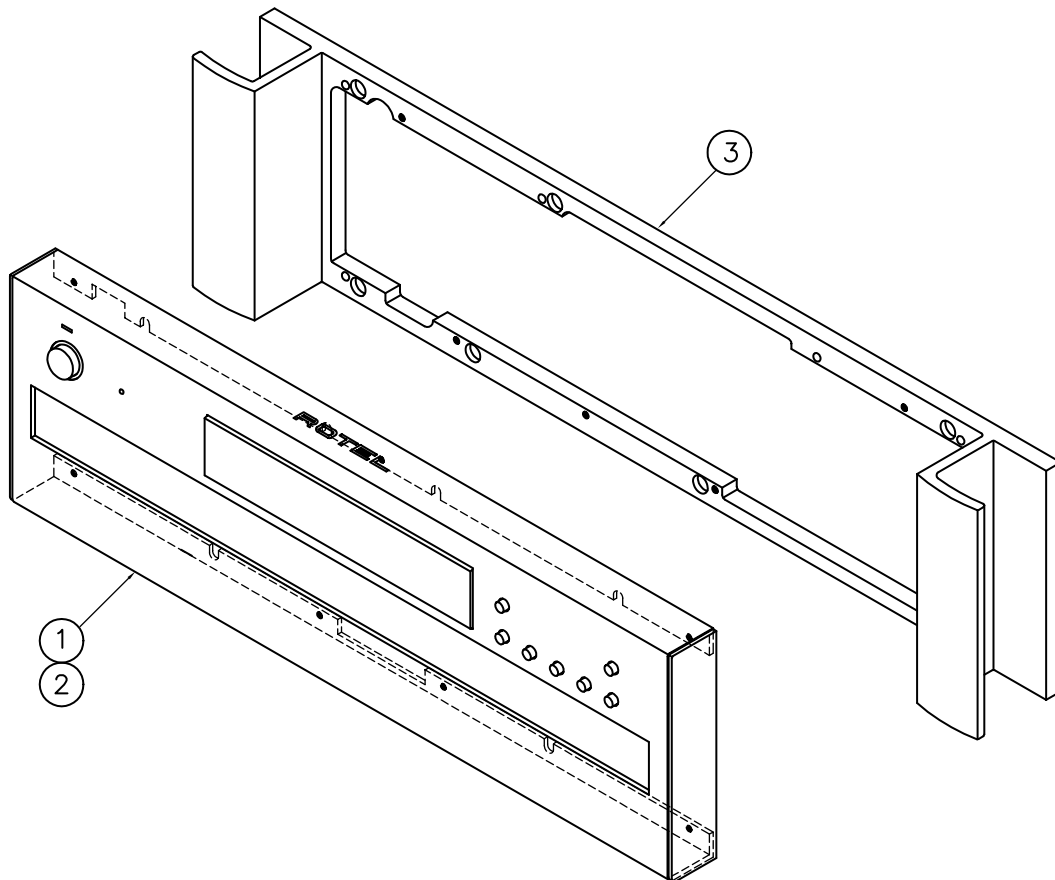
SYMBOL	PARTS NO.	DESCRIPTION
IC105	417-DCM370E3-378	IC (74HC04/74HC04DT) SOP-14
IC203	417-KC220-045	IC (DUAL-BTL) LA6531
IC104	704-RCC1055-4267	IC SERVO CPU W78E52B-24
IC201	417-DCM270X-326	IC CONTROL CPU HD6473714 (OTP)
IC102	417-KMD3500-239	IC DSP CXD2500BQ
IC103	417-HV3288K-208	IC MOTOR DRIVE BA6397FP
IC2	417-PMSE1-161	IC REGULATOR +5V LM78L05
IC1	417-HMD5000-282	IC REGURATOR BA08T
IC101	417-KMD3500-238	IC RF AMP CXA1782CQ
IC104 SOCKET	404-HDJ7000-703	IC SOCKET (W78E52B-24, 40PIN)
IC202	417-MP3-430	IC SP232ACP
IC205	417-HDJ2000-503	IC RESET BD4745G
L101-104,106	415-MPG100-047	MICRO INDUCTOR 10uH
L107,201,202	415-MPG100-047	MICRO INDUCTOR 10uH
PC201,202	417-HMD5000-283	PHOTO COUPLER LTV-817
X102	427-RCC1055-107	QUARTZ CRYSTAL(11.059MHz)
JK201	420-RCC1055-147	RJ45 JACK
P101	412-3113-043	SEMI FIXED RESISTOR B100K (YELLOW)
RB205	412-KMD280-165	THICK FILM RESISTOR 10Kx6
RB201	412-HV3363K-358	THICK FILM RESISTOR 150Kx7
RB202,203	412-HV3363K-359	THICK FILM RESISTOR 150Kx9
Q101,102	416-3113-008	TRANSISTOR 2SA933SR / 2SA608G
Q103,104	416-1360S-017	TRANSISTOR 2SB1010R / 2SB892T
Q204	416-KC710-038	TRANSISTOR DTA124ES / 2SA1346
Q202	416-KE200S-024	TRANSISTOR DTA124TS / 2SA1589
Q203	416-3113-010	TRANSISTOR DTC124ES / 2SC3400
D204	414-SPPW3-061	ZENER DIODE MTZJ10-B 10V 1/2W
D106	414-DCM270E3-093	ZENER DIODE MTZJ27-D 27V 1/2W
D108	414-KC720-016	ZENER DIODE MTZJ6.8-C 6.8V 1/2W
P O W E R P C B		
	704-RCC1055-4047	POWER PCB ASS'Y
F401	422-270X-033	FUSE 250V500mA
F401	420-KT350A-004	FUSE CLIPS(FC-1206/WL-210A,15A)
L401	415-RCC955A-092	LINE COIL LF-2217
SW401	403-RCC1055-165	POWER SWITCH
C401	413-1431-104	SPARK KILLER 250V4700pF
P H O T O T R A N S I S T O R P C B		
	704-DCM270X-1797	PHOTO TRANSISTOR PCB ASS'Y
Q01	416-DCM270X-120	PHOTO TRANSISTOR LTR-301
I N F R A R E D E M I T T I N G P C B		
	704-DCM270X-1798	I N F E R A R E D E M I T T I N G P C B A S S ' Y
R01	412-3113-076	CARBON FILM RESISTOR 1/6W 390R
D01	410-DCM270X-132	I N F R A R E D E M I T T I N G D I O D E L T E - 4 2 0 6 C
O T H E R S		
	011 FP-557-B	BLACK PANEL ASSY
	011 FP-557-S	SILVER PANEL ASSY
	069 C-4629A01	AC 2P INLET 6102.3100 (WIRING)
	072 C-4621A01	AC CORD SET SJT AWG16/2C for USA
	100-RCC955A-1302	CD DOOR (BLACK)
	100-RCC1055B-1302	CD DOOR (SILVER)
	034 LTL1214A	LED (RED) 2Φ LTL1214A
	034 SEL1E24W	LED (BLU) 1X5 SEL1E24W
	034 SEL1124R	LED (RED) 1X5 SEL1124R
	019 4TSH-19#2	PLASTIC FOOT 50Φ

SYMBOL	PARTS NO.	DESCRIPTION
	411-RCC955A-130	TRANSFORMER
	012 TN2-08A00	TACT BUTTON 15 KEY (BLACK)
	012 TN2-08A01	TACT BUTTON 15 KEY (SILVER)
	012 RV4-09A00	PUSH BUTTON 14Φ (BLACK)
	012 RV4-09A01	PUSH BUTTON 14Φ (SILVER)
	507-RCC1055A-2318	INSIDE CARTON SHIPPING CARTON
	506-RCC1055-302L	STYROL MOULDING (L)
	506-RCC1055-302R	STYROL MOULDING (R)
	082 OMRCC-1055	OWNER'S MANUAL
	701-RCC955A-1953	REMOTE CONTROLLER ASS'Y
	300-RCC1055-930	TOP COVER

Addendum List for Black and Silver

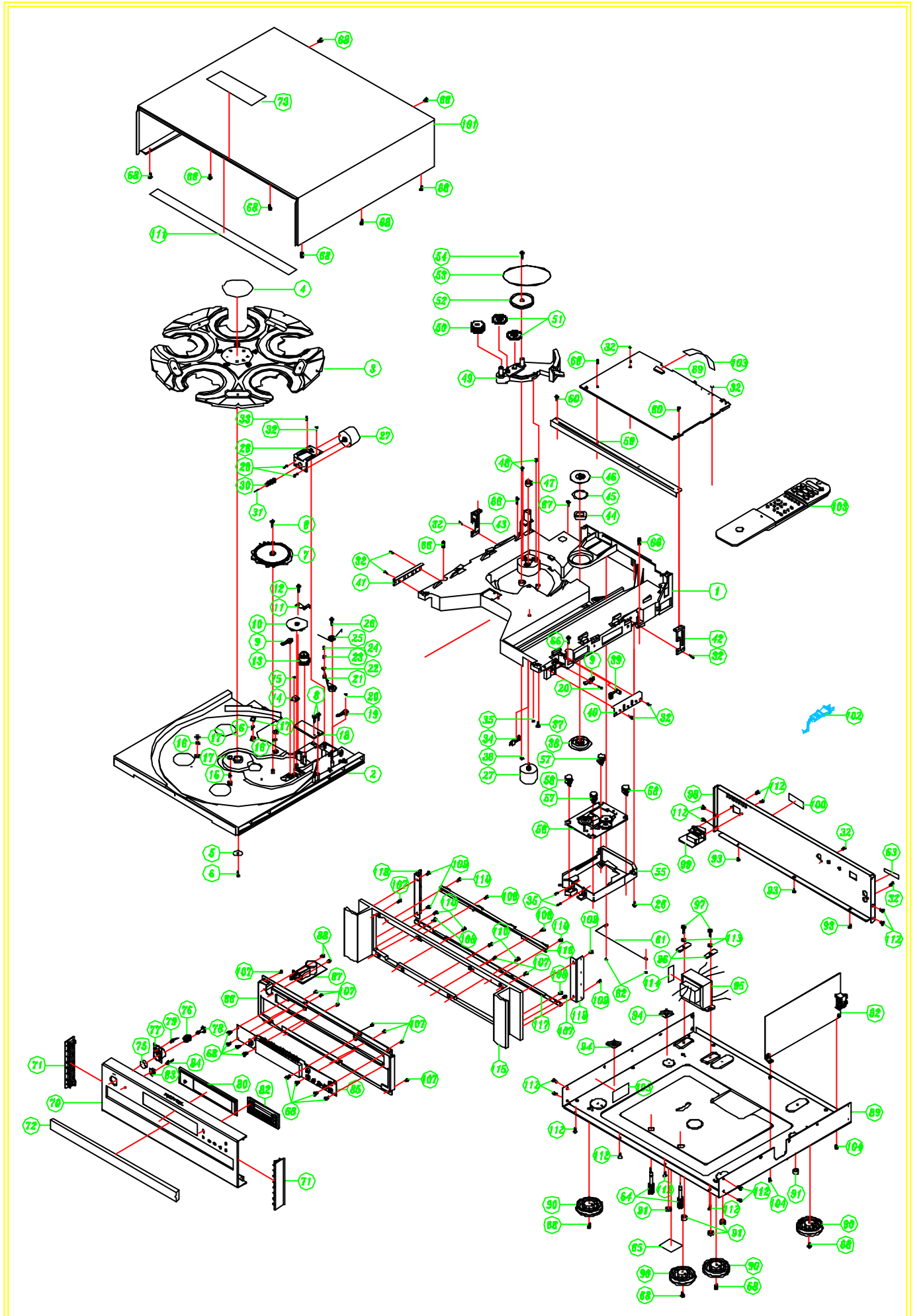
RCC1055

SYMBOL	PARTS	DESCRIPTION
①	011 FP-557-B	BLACK PANEL ASSY
②	011 FP-557-S	SILVER PANEL ASSY
③	011 UM3-01B00	H/S PANEL H109
	012 RV4-09A00	PUSH BUTTON 14F (BLK)
	012 RV4-09A01	PUSH BUTTON 14F (SLV)
	012 TN2-08A00	TACT BUTTON 15KEY(BLK)
	012 TN2-08A01	TACT BUTTON 15KEY(SLV)
	100-RCC955A-1302	PLASTIC DOOR(NO LOGO PRINT) BLK
	100-RCC1055B-1302	PLASTIC DOOR(NO LOGO PRINT) SLV
	034 SEL1124R	LED (RED) 1X5
	034 SEL1E24W	LED (BLU) 1X5



Disassembly Diagram

RCC-1055



SYMBOL	PARTS NO.	DESCRIPTION
EXPLODED VIEW PART LIST		
1	100-KMD550-1213A	BOTTOM
2	100-KMD550-1214C	BASE
3	100-KMD550-1215A	DISK
4	501-KMD550-1099	LABEL (BLACK, DIAMETER 59.9mm)
5	606-C426-066	FIXED CENTER WASHER
6	602-MK7-131	SCREW (3*10 ZK PTP)
7	100-KMD550-1216	TRANSFER GEAR
8	602-DV300-5023	SCREW (TTP 2.6*7 CAP10 Z)
9	403-DM11A-020	LEAF SWITCH (LSA-119H)
10	100-KMD280-733	MIDDLE GEAR
11	300-KMD280-305	FORWARD GEAR FIXED IRON
12	602-KM300-144	SCREW (2.6*5.5mm)
13	100-KMD280-736A	TRANSFER GEAR
14	704-DCM270X-1798	INFERARED EMITTING PCB ASS'Y
15	602-KMD510-158	SCREW (M2.6*3mm)
16	100-KMD280-729	WHEEL
17	501-KMD550-1146	FIXED SHEET
18	704-DCM270X-1797	PHOTO TRANSISTOR PCB ASS'Y
19	403-KMD550-087	LEAF SWITCH (LSA-1119F)
20	602-SL24F-099	SCREW (2.6*8 PTP)
21	100-KMD550-1217	CORRECTING LEVER
22	604-KM300-057	RUBBER RING
23	100-KM300-516	WHEEL
24	200-KMD550-181	PIN
25	603-KMD550-199	COMECTING SPRING
26	602-SL24F-097	SCREW (M3*9 PTP)
27	401-MK7-043	MOTOR(MEN-7E2T5,DC12V)
28	300-KMD550-262	MOTOR FIXED PLATE
29	602-KM500-155	SCREW (M2.6*3mm)
30	100-KMD280-731A	SPIRAL GEAR
31	200-KMD280-174	SHAFT
32	602-2002-077	SCREW (3*8mm BTP)
33	602-M100-032	SCREW (DIA 3*10 SHEAP END)
34	403-KMD280-048	LEAF SWITCH (LSA-2127E)
35	602-KMD550-250	SCREW (PTP 3*14)
36	602-KMD550-261	SCREW (PTP 4*8mm)
37	602-SL24F-096	SCREW (M3*7 PTP)
38	100-KMD550-1219	DISK HOLDER
39	100-KMD280-730	SWITCH CONTROL
40	300-KMD280-265RA	STAT R
41	300-KMD550-265L	STAY L
42	300-KMDV280C-264A	R.FIXED PLATE
43	300-KMDV280C-263A	L.FIXED PLATE
44	613-MK7-002	MAGNET
45	612-KT300-007	WASHER (HIMILON)
46	300-KMD550-466	SWIVEL PLATE
47	100-KMD280-728	MOTOR PULLEY
48	602-MK7-134	SCREW (2.6*4 P=0.45)
49	100-KMD550-860D2	GEAR SET
50	100-KMD280-727	B. GEAR
51	100-KMD280-734	S. GEAR
52	100-KMD280-732B	BELT GEAR
53	604-KMD280-094	MOTOR BELT
54	602-KMD510-169	SCREW (M3*8 PTP)
55	100-KMD550-1220B	CD DECK HOLDER
56	704-HV3423K-1441	MECHA ASS'Y (KSM-213CCM)
57	604-KMD550-118	CUSHION RUBBER (PRIMARY COLORS)
58	604-KMD550-117	CUSHION BUBBER (RED SILICA GEL)
59	300-KMD550-486	MAIN PCB BRACKET
60	602-KMD550-255	SCREW (2.6*6mm)
61	603-KMD280-200	STEEL WIRE
62	602-B600-056	SCREW (TTP CAP M3*8)
63	501-DV300-1067	SERIES NO. LABEL
64	701-AVD3500K-1668	TRANSPORTATION SCREW ASS'Y
65	501-HT8023K-949	TRANSIT SCREWS LABEL

SYMBOL	PARTS NO.	DESCRIPTION
66	602-DV300B-219	SCREW (TTB M3*12mm)
67	602-HP1010K-174	SCREW (TTB 3*L10)
68	602-HP1010K-175	SCREW (3*L8)
69	704-RCC1055-4266	SERVO PCB ASS'Y
70	300-rcc1055-940	FRONT PANEL
70	300-RCC1055B-940	FRONT PANEL
71	100-rcc1055-2035	CAP (PP BLACK)
72	100-RCC955A-1302	CD DOOR
72	100-RCC1055B-1302	CD DOOR
73	501-RCC955A-1284	TRANSPORTATION SCREW LABEL
75	100-rcc1055-2037	BUTTON
75	100-RCC1055B-2037	BUTTON
76	603-RCC955-232	SPRING (019 4TR-1988A#2)
77	100-rcc1055-2036	KNOB BASE
77	100-RCC1055B-2036	KNOB BASE
78	100-RCC955-1531	RING FOR KNOB (4TTL-15)
79	410-RCC955A-127	LED SANKEN (RED, 034 SEL1124R)
80	100-RCC955-1333	WINDOW LENS
82	100-rcc1055-2034	BUTTON
82	100-RCC1055B-2034	BUTTON
83	100-RCC955-1535	LED HOLDER (019 C-4598A00)
84	410-RCC955A-126	LED LITEON (RED, 034 LTL1214A)
85	704-rcc1055-4045	CONTROL PCB ASS'Y
85	704-1055B-4063	CONTROL PCB ASS'Y
86	703-rcc1055-687	FRONT CHASSIS ASS'Y
87	704-rcc1055-4047	POWER PCB ASS'Y
88	602-RCC955-291	SCREW (M3*6, P=0.5)
89	300-rcc1055-929	BOTTOM BASE
90	100-RCC955-1532	FOOT
91	612-HMD5000-065	PROTECTIONMAT
92	704-rcc1055-4270	AUDIO PCB ASS'Y
93	602-KE200-145	SCREW (3*5mm BLACK)
94	504-HDJ7000-032	ADHESIVE BACKED MOUNTS
95	411-RCC955A-130	TRANSFORMER
96	300-DV300B-443	BRACKET TRANSFORMER
97	602-ht8023k-209	SCREW
98	300-rcc1055-932	BACK PANEL
99	420-rcc1055-148	CORD BUSH
100	501-RCC955A-1319	RATING LABEL
101	300-RCC1055-930	TOP COVER
102	409-RCC1055-107	AC CORD
103	701-RCC955A-1953	REMOTE CONTROLLER ASS'Y
104	602-B300-041	SCREW (3*5mm P=0.5)
105	501-RCC955A-1309	FUSE LABEL
106	406-KMD5000-413	RIBBON WIRE
107	602-RCC1055-416	SCREW(ISOF,M3*P0.5*16L,MC)
108	602-SA12-381	SCREW
109	602-RCC1055-418	SCREW(ISOO,M4*P0.7*8L,ZS)
110	602-RCC1055-417	SCREW(ISOO,M3*P0.5*8L,NI)
111	612-RCC1055-149	SPACER FOR TOP COVER(EVA,BLACK,380*10*3t)
112	602-RCC1055-422	SCREW(BTO,3*8L,ZS)
113	606-STR830-141	SPRING
114	501-RCC955A-1324	LABEL FOR TRANSFORMER
115	300-RCC1055-939	HABDLE
116	300-RCC1055-934	SUPPORT FOR TOP COVER
117	300-RCC1055-933	COMBINE BOARD
118	300-RCC1055-938	FIXED PLATE

ADJUSTMENT PROCEDURES

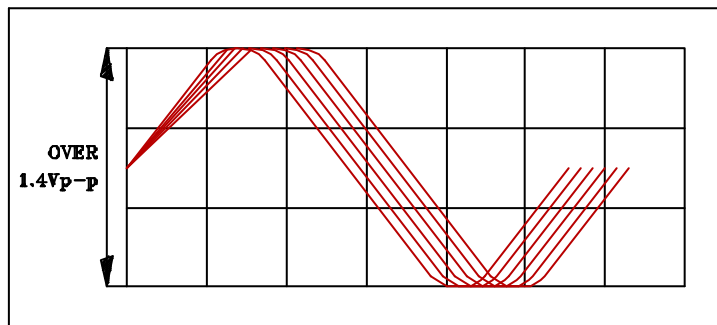
RCC-1055

REQUIRE EQUIPMENT

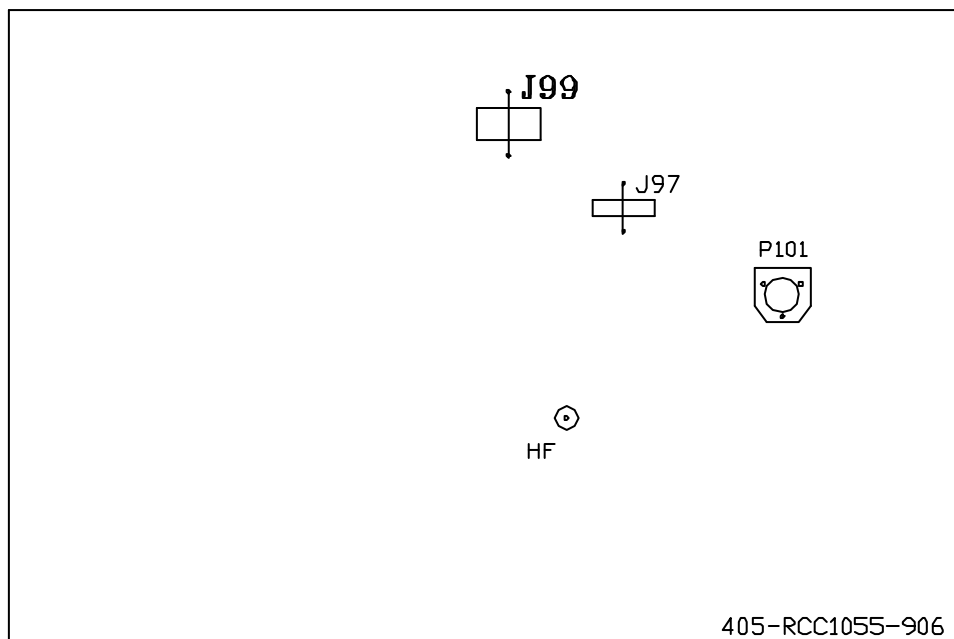
- « OSCILLOSCOPE (DC 20MHZ, DUAL TRACE) 1SET
- « CERAMIC SCREW DRIVER 1SET

FREQUENCY ADJUSTMENT

1. TURN ON THE POWER OF THE CD PLAYER AND INSERT THE DISC THENSET THE UNIT TO TTHE PLAY MODE.
2. CONNECT THE OSILLOSCOPPE PROBE TO J97 (HF POSITION) AND J99 (DGND).
3. SETUP OSCILLOSCOPE TIME / DIV FOR 0.2US, VOLT / DIV FOR 0.5V / DIV.
4. ADJUST P101 WITH ERAMIC SCREW DRIVER, MAKE VOLTAGE TO MAX (DOn'T LOW 1.4V p-p).



OSCILLOSCOPE MONITOR

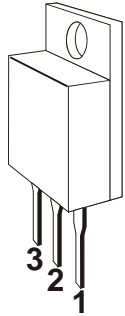


405-RCC1055-906

Case Outline (1/2)

RCC-1055

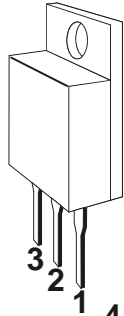
NJM7815FA



- 1. OUTPUT
- 2. COMMON
- 3. INPUT

417-DV330-216

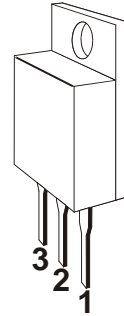
NJM7915FA



- 1. OUTPUT
- 2. INPUT
- 3. COMMON

417-RCC955A-291

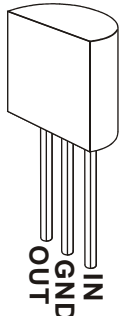
NJM7800FA



- 1. OUTPUT
- 2. COMMON
- 3. INPUT

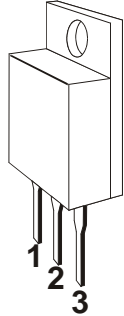
417-KC730-123

78L05



417-PMSE1-161

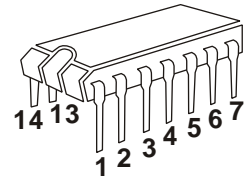
BA08T



- 1. Vcc
- 2. GND
- 3. OUT

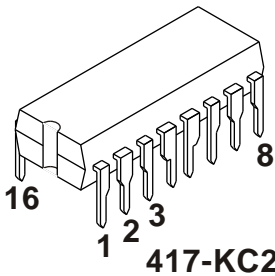
417-HMD5000-282

74HCU04D



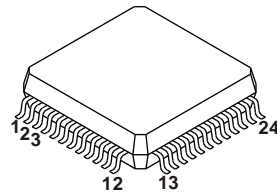
417-DCM370E3-378

LA6531



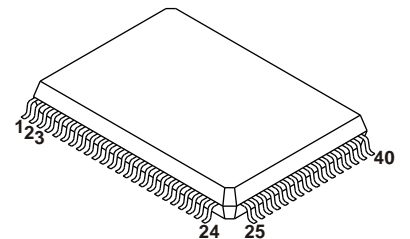
417-KC220-045

CXA1782CQ



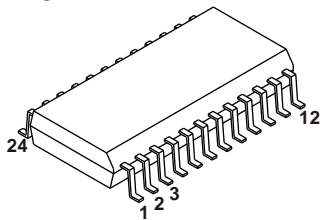
417-KMD3500-238

CXD2500BQ



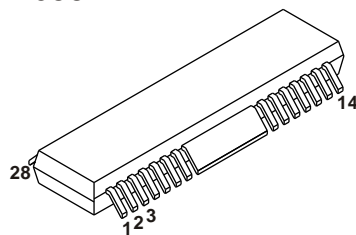
417-KMD3500-239

UDP6121



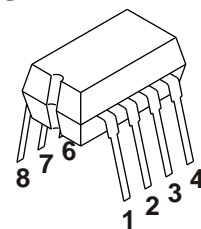
417-RC16-222

BA6397FP



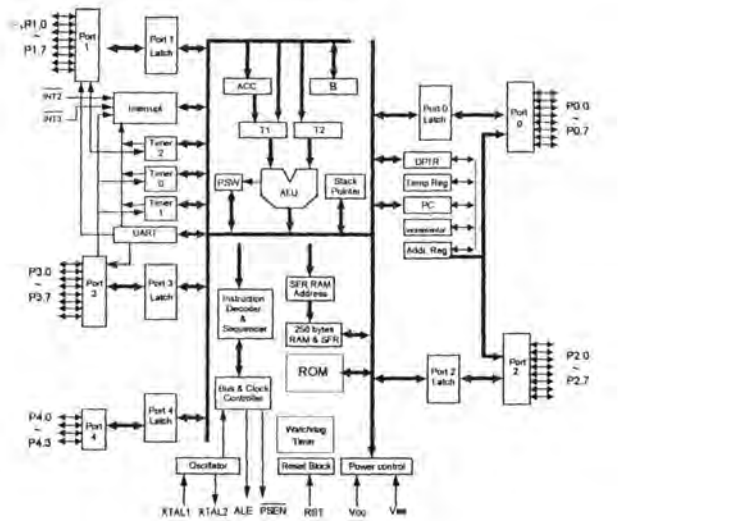
417-HV3288K-208

OP275GP

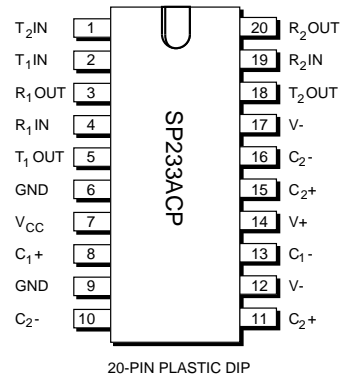


417-RCC955A-293

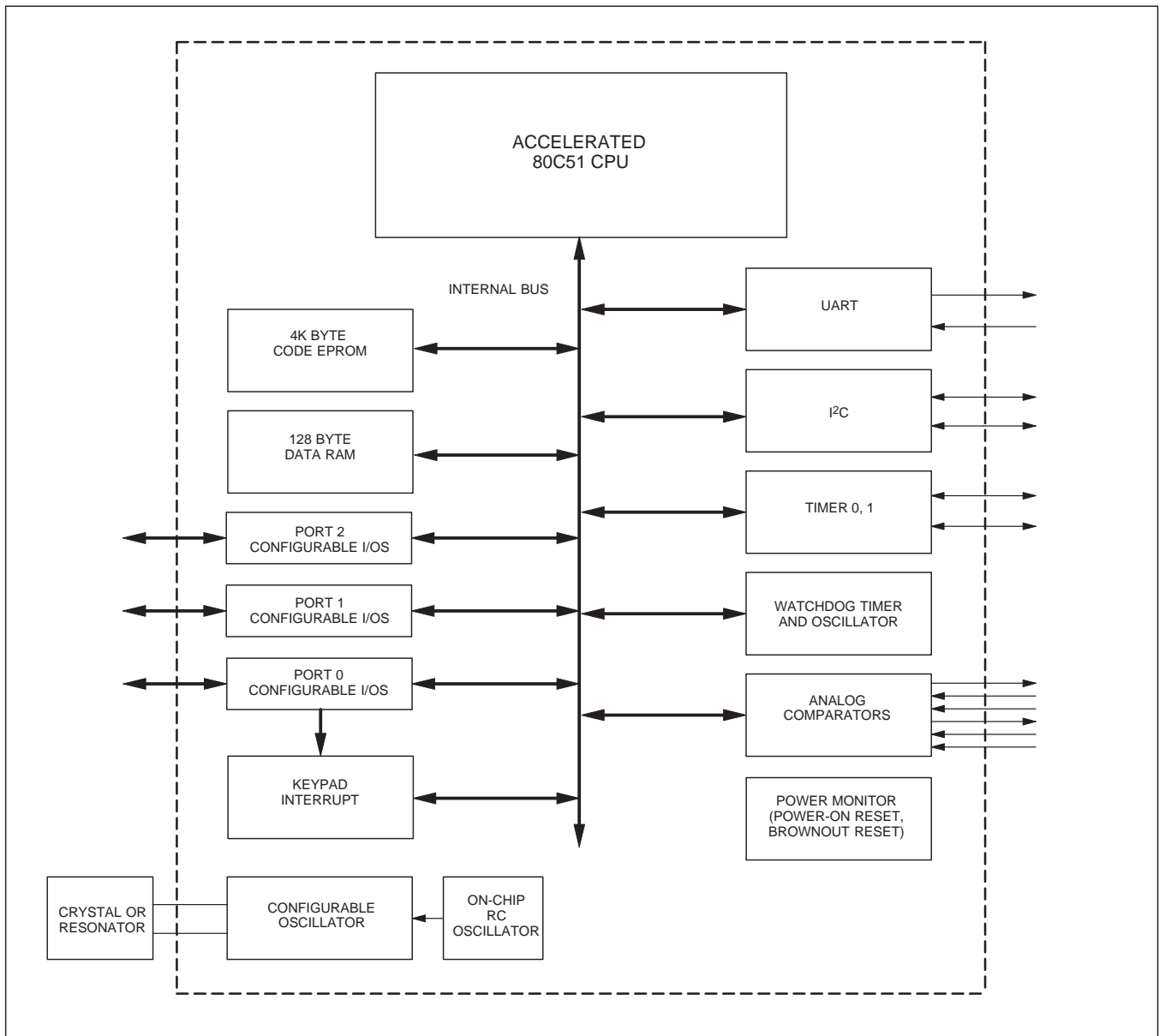
417-HV3288K-225A
W78E52B



417-MP-430
SP232ACP

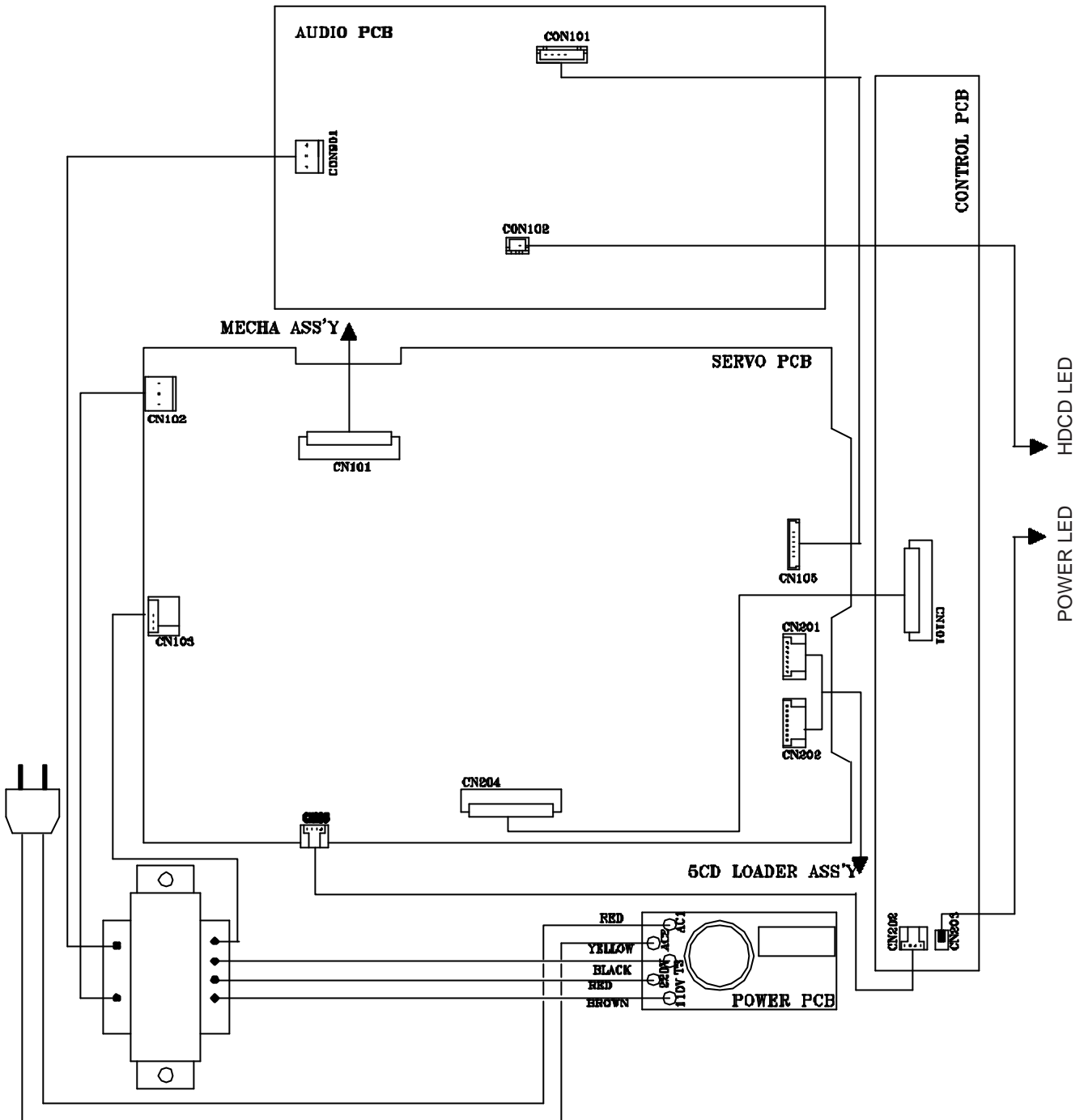


417-RCC1055-590
P87LPC764BN



Wiring Diagram

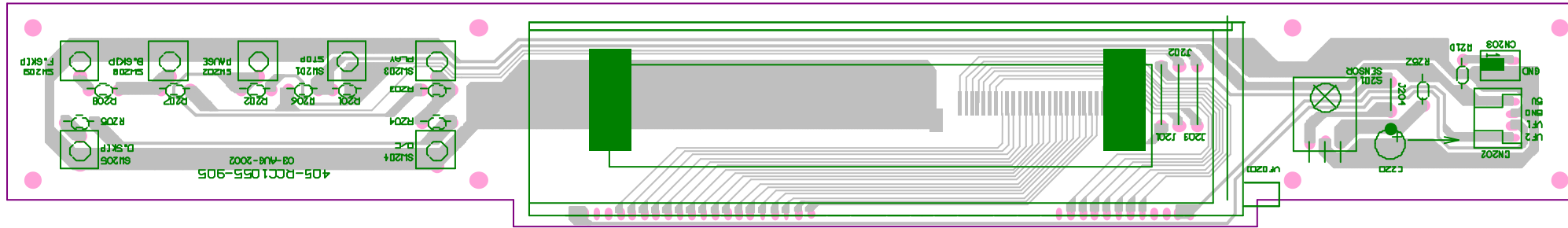
RCC-1055



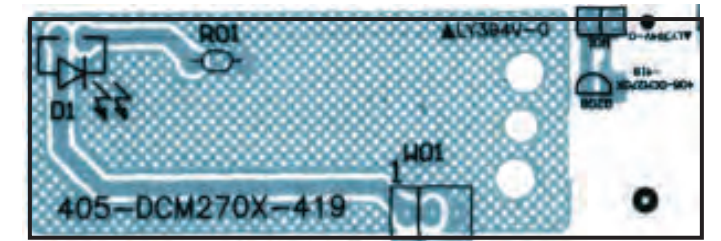
Memo

PCB Assembly

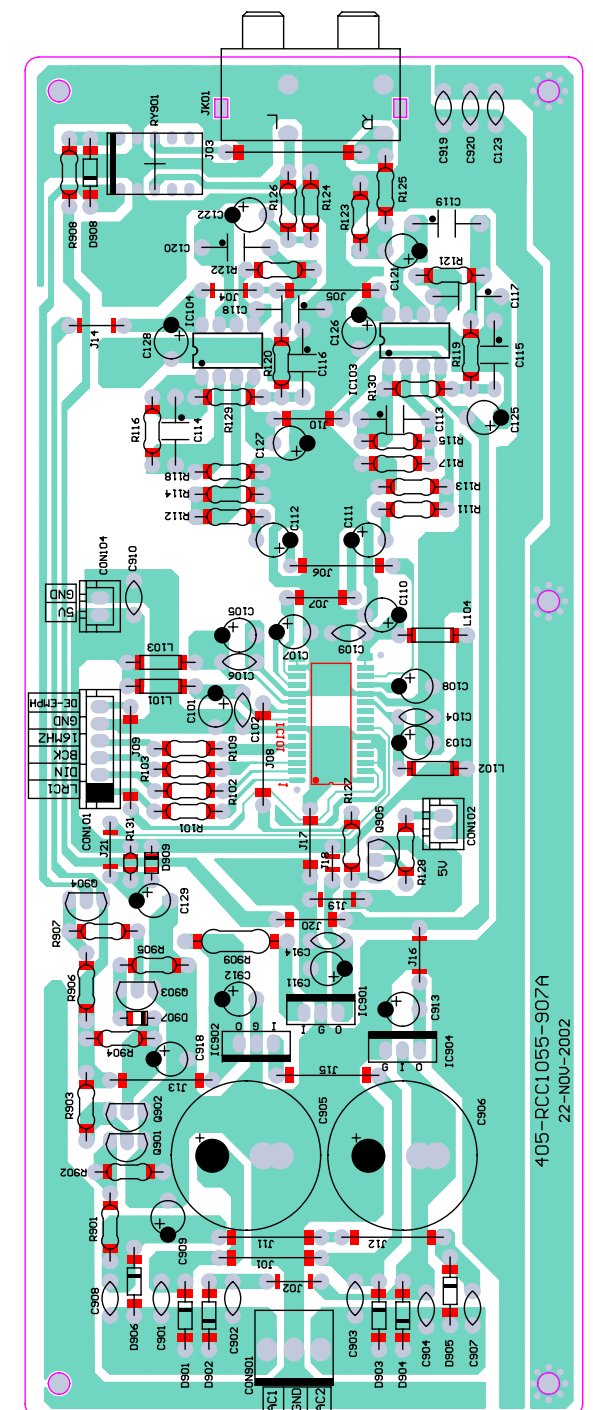
FRONT PCB 405-RCC1055-905



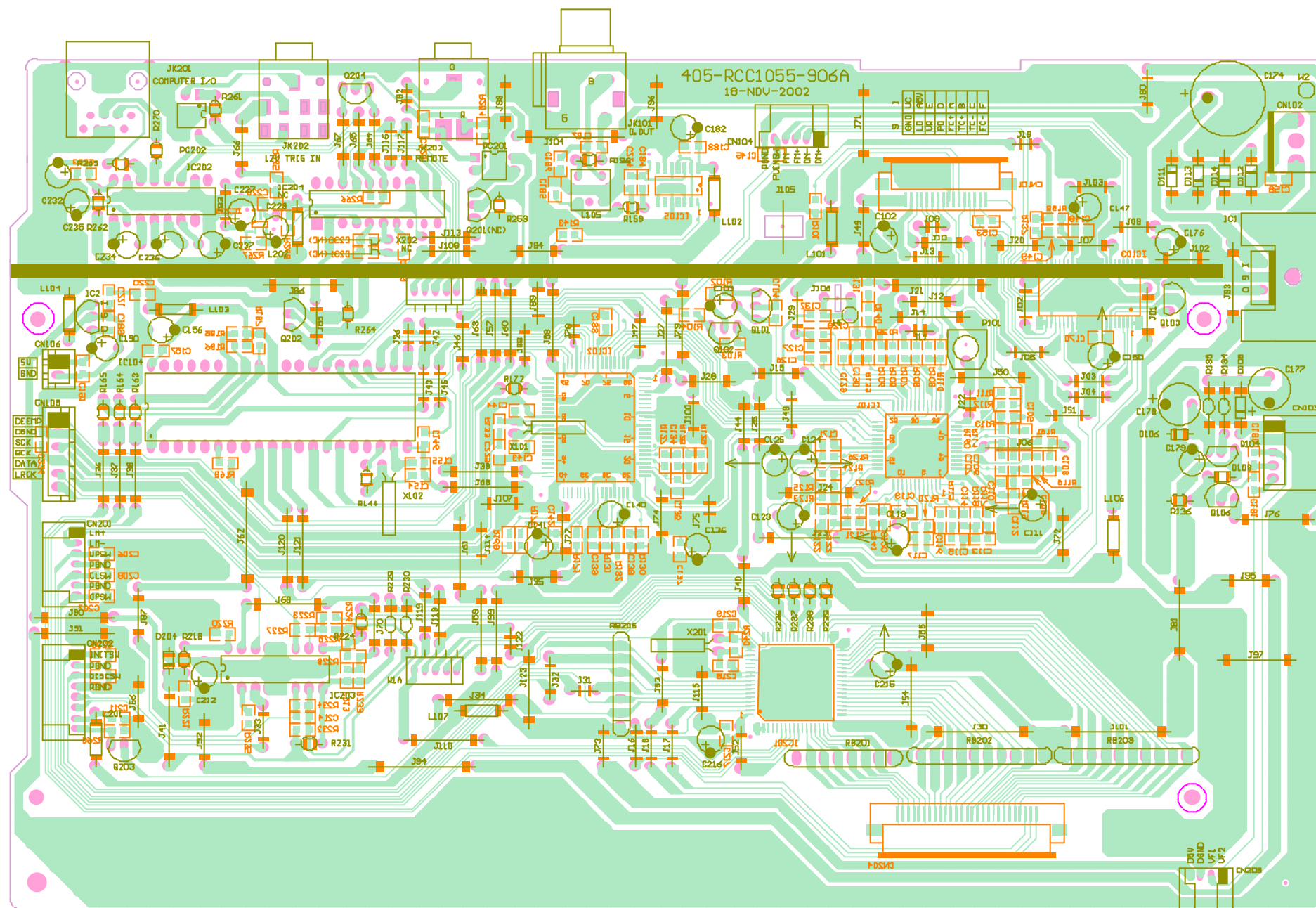
IR EMMITTING PCB 405-DCM270X-419



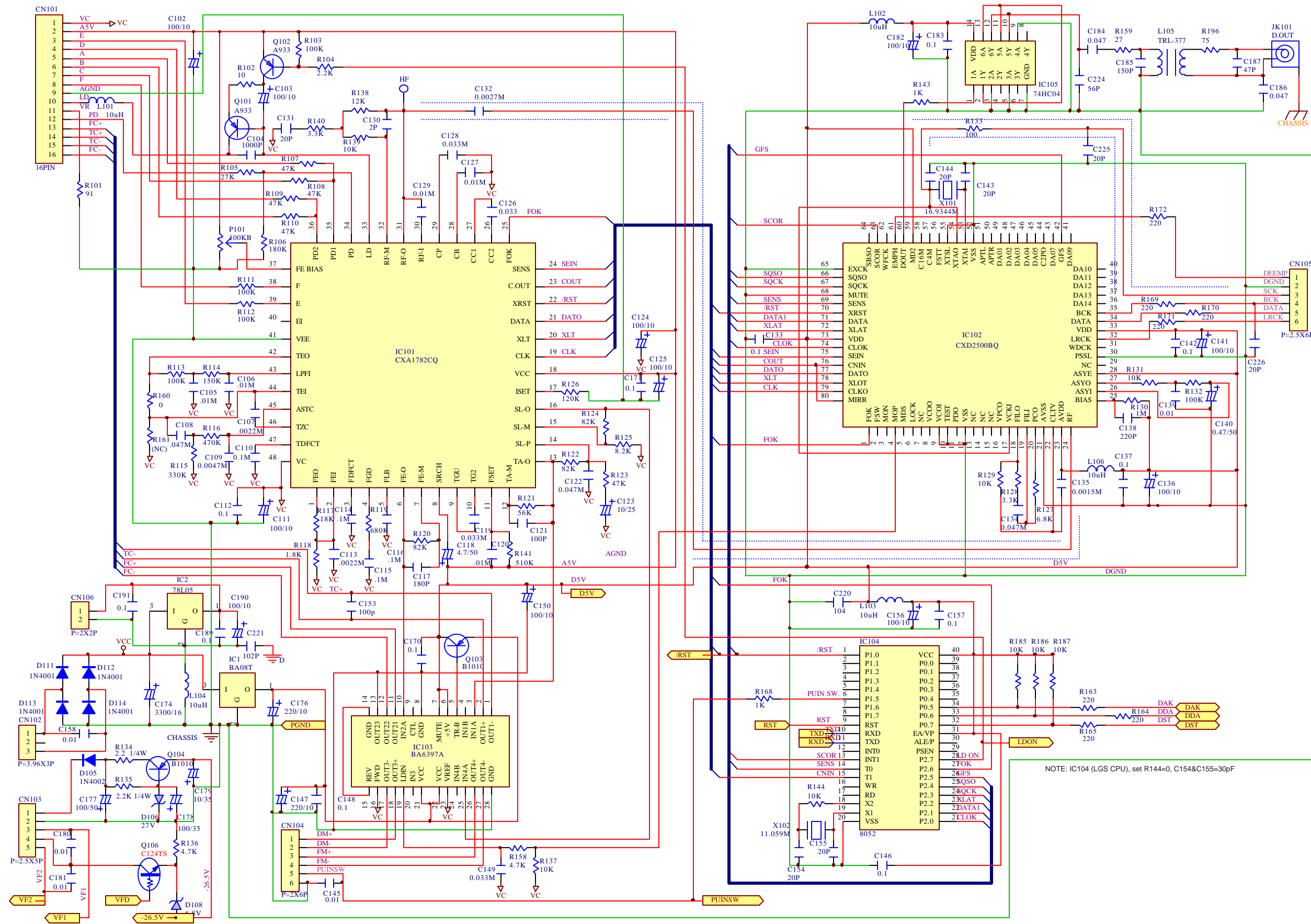
AUDIO PCB 405-RCC1055-907A



SERVO PCB 405-RCC1055-906A



Servo PCB (1/2) 405-RCC1055-906A



Servo PCB (2/2) 405-RCC1055-906A

Control 405-RCC1055-905

