

Quality Uncompromised

ROTEL[®]

Technical Manual

CD MULTIDISC CHANGER **RCC-1055v02**

Table of Contents

Specification.....	1	Wiring Diagram	15~16
Parts List	2~9	PCB Assembly	17~18
Disassembly	10~13	Schematic Diagram.....	19~22
Case Outlines.....	14		

Specification

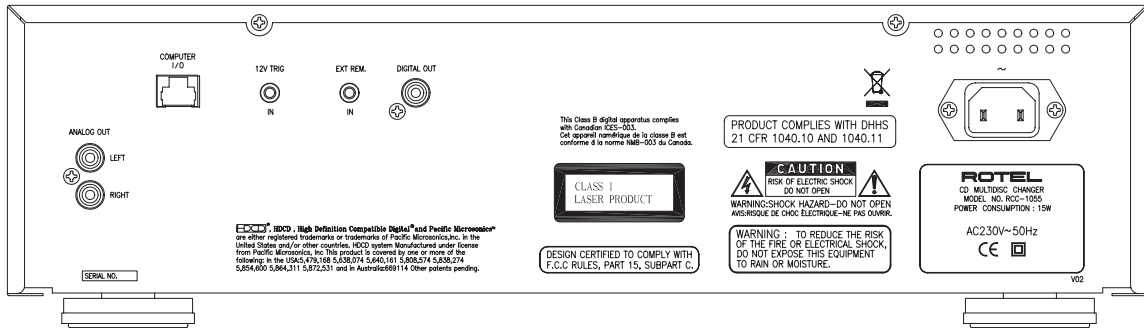
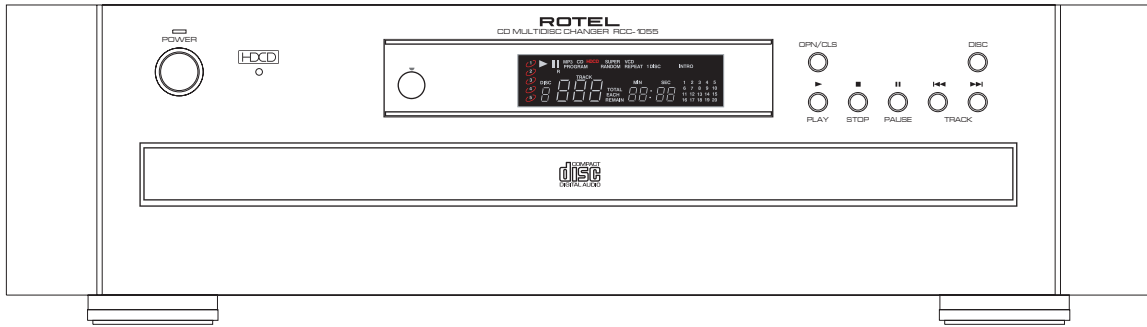
Frequency Response (± 0.5dB)	20-20,000 Hz
Signal to Noise Ratio	>100 dB
Total Harmonic Distortion + Noise	0.0045% @ 1kHz
Intermodulation Distortion	0.0045% @ 1kHz
Dynamic Range	>96 dB
Channel Separation	>98 dB @ 1kHz
Channel Balance	± 0.5 dB
Phase Linearity	± 0.5 degree
Speed Accuracy, Wow & Flutter	Quartz Crystal Precision
Digital to Analog Converters	18 bit equivalent, multi-level Delta-Sigma DAC with 8x oversampling digital filter and HDCD
Maximum Audio Line Output/Impedance	2 Volts/100 Ohms
Digital Output Level (coax)/Impedance	0.5 Volt, Peak to Peak/75 Ohms
Power Requirements	
USA Version	120 Volts, 60 Hz;
European Version	230 Volts, 50 Hz
Power Consumption	15 Watts
Dimensions (W x H x D)	432 x 121 x 410 mm
	17 x 4 ³ / ₄ x 16 ¹ / ₈ inches
Panel Height	109 mm / 4 ⁹ / ₃₂ inches
Weight (net)	7.8 kg, 17.2 lb.

THE ROTEL CO., LTD

BUNZAN-SHINSEN-BLD. 4F 10-10 SHINSEN-CHO, SHIBUYA-KU,
TOKYO 150-0045, JAPAN

Serial. NO.
Beginning **7121001 ~**

Y-368C-0708/pdf



SYMBOL	PARTS NO.	DESCRIPTION
SERVO PCB ASSY		
	704-M1055-6553	SERVO PCB ASSY (MAIN)
C01	413-3113-028	CERAMIC CAPACITOR(0.01uF/50V)
C02,C03,C145,C150,C151,C152,C153,C154	413-DCM280-771	CHIP CAPACITOR (0.01uF/50V)
C04	413-DV300-293	ELEC.CAPACITOR(4700uF/16V)
C06,C08,C101,C102,C108,C126,C160	413-HMA2200-5017	ELEC.CAPACITOR(100uF/10V)
C09,C137	413-HT801K-192	ELEC.CAPACITOR(220uF/10V)
C10	413-HC1421FR-277	ELEC.CAPACITOR(100uF/50V)
C104,C109,C130,C177	413-HMA2200-5017	ELEC.CAPACITOR(100uF/10V)
C11	413-HMD5000-356	ELEC.CAPACITOR(100uF/35V)
C110,C112,C123,C182	413-007USB-787	CHIP RESISTOR(220pF/50V)
C115,C147	413-DCM280-768	CHIP RESISTOR(1000pF/50V)
C116,C117,C118,C127,C129,C131,C134,C136	413-DCM280-773	CHIP CAPACITOR(0.1uF/50V)
C12	413-810-919	ELEC.CAPACITOR(10uF/35V)
C121	413-KT300-099	POLYESTER CAPASITOR(0.047uF/50V)
C122	413-HT7016-219	POLYESTER CAPACITOR(0.0015uF/50V)
C124	413-SPPW3-233	ELEC.CAPACITOR(0.47uF/50V)
C125	413-3113-057	POLYESTER CAPACITOR(0.01uF/50V)
C132	413-KT300-103	POLYESTER CAPASITOR(0.0033uF/100V)
C133	413-810-921	CHIP RESISTOR(0.068pF/50V)
C135	413-HT801K-192	ELEC.CAPACITOR(220uF/10V)
C138,C146,C158,C176,C181	413-DCM280-773	CHIP CAPACITOR(0.1uF/50V)
C139	413-DCM280-767	CHIP RESISTOR(100pF/50V)
C140,C163	413-SPPW3-235	ELEC.CAPASITOR(10uF/25V)
C143,C114,C128,C141,C164	413-3113-035	CERAMIC CAPACITOR(0.1uF/50V)
C144	413-007USB-784	CHIP RESISTOR(47pF/50V)
C149	413-HT801K-193	ELEC.CAPACITOR(100uF/16V)
C159,C169,C200,C201,C202,C203,C204,C205	413-DCM280-773	CHIP CAPACITOR(0.1uF/50V)
C161	413-DV300-5156	ELEC.CAPACITOR(2.2uF/50V)
C162	413-007USB-786	CHIP RESISTOR(470pF/50V)
C165,C166,C167,C168	413-SPPW3-234	ELEC.CAPASITOR(1uF/50V)
C174,C175	413-007USB-781	CHIP RESISTOR(15pF/50V)
C198,C199	413-DCM280-764	CHIP RESISTOR(20pF/50V)
C206,C05,C07,C103,C105,C106,C111,C113,	413-DCM280-773	CHIP CAPACITOR(0.1uF/50V)
CN02	404-BEAT6-1598	2P SOCKET(CKM3961WR P=3.96mm)
CN03	404-SPPW3-513	5P 2.5SOCKET(S5B-XH-A,90°,JST)
CN101	404-HV3423K-583	SOCKET(16PIN P=1.0mm SMD FPC 2T-16P)
CN102	404-90V1-101	6P SOCKET(S6B-PH-K-S,P=2mm,JST,90 DEGREE)
CN104	404-HVD5000-785	7P SCOKET(S7B-PH-K,P=2mm, JST,90 DEGREE)
CN105	404-DV300-506	8P SOCKET(S8B-PH-K-S,P=2mm,JST,90 DEGREE)
CN106	404-900-2092	9P FFC CONNECTOR(90°)
CN107	404-4001-2235	12P FFC SOCKET
CN108	404-300-1914	11P FFC CONNECTOR
CN109	404-900-2090	5P FFC CONNECTOR(90°)
D01,D02,D03,D04,D05	414-DV300-5014	DIODE(1N4002/1N4002TA,1A/100V)
D06,D07,D08	414-DJ1100G-207	ESD DIODE(RSB6.8S-TE61)
D101	414-3113-005	SWITCHING DIODE(1SS132/1SS133)
IC01	417-HMC5000-282	IC(BA08T 3PIN)
IC01,IC02	425-390-093	Heat Sink(AL)
IC02	417-KC730-123	IC(NJM7805FA)
IC03	417-CTB200-500	IC(BA033FP-E2,TO252-3)
IC101	417-DCM280-588	IC(CXA-258IN,SSOP-30,SMD)
IC102	417-DCM280-587	IC(CXD3068Q,QFP-80,SMD)
IC103	704-4001-6243	IC SERVO ASSY (SM8952AC25J,PLCC-44)
IC103,IC110	404-314-2240	PLCC IC SOCKET
IC105	417-DCM280-596	IC(BA5979S,DIP-32)

SYMBOL	PARTS NO.	DESCRIPTION
IC106	417-KC220-045	IC(LA6531,DIP16F)
IC107	417-MP3-430	IC(SP232ACP,16PIN)
IC109	417-HDJ2000-503	IC(BD4745G/BD4745G-TR)
IC110	704-M1055-6557A	IC CONTROL ASSY (SM8958AC25J,PLCC-44)
IC111	417-DCM370E-378	IC(74HC04/74HC04DT,SOP-14)
J18,R49,R59,R32	412-DJ3000-414	CHIP RESISTOR(0 OHM,1/8W,1206)
JK101	420-RCC1055-147	PJ45 JACK(95001-2881)
JK102	420-RCC1055-155	HEADPHONE JACK(F3.5,JY-3535-01-090G)
JK103	420-HMDV3360K-5014	HEADPHONE JACK(F3.5,JY-3535-01-030G/ST-216-02)
JK104	420-RCC1055-156	1P RCA JACK(RCA-108A)
L01,L115,L116,L117,L120	415-KM280A-021	CHOKO COIL(BC 0610R6H-Y7(2.5))
L107,L108,L109,L110,L111,L112	415-1300-240	CHIP BEAD(SBK201209T-601Y-S)
L113,L114	415-HMD5000-097	INDUCTOR(10uH,AL0204ST-100K-S-A)
L118,L121,L106	415-205-279	CHOKO COIL(14x6mm,100MHZ,750ohm)
L119,L101,L102,L103,L104,L105	415-MPG100-047	INDUCTOR(10uH T-26mm)
PC101,PC102	417-HMD5000-283	PHOTOCOUPLER(LTV-817,DIP4)
Q01	416-1360S-017	TRANSISTOR(2SB1010(R))
Q02,Q102	416-CTB200-178	TRANSISTOR(DTA124EKA-T146,SMT3)
Q03	416-DFX1-201	CHIP TRANSISTOR(DTA124TKA)
Q101	416-CDN88-045	TRANSISTOR(2SA1037AKT146R/2SA1037AKR)
Q103	416-CDN88-044	TRANSISTOR(DTC124EKAT146/DTC124EKA)
R01	412-HTV8033-5020	CARBON FILM RESISITOR(2.2 OHM,1/4W)
R02	412-3113-082	CARBON FILM RESISITOR(2.2K OHM,1/4W)
R03	412-3113-055	CARBON FILM RESISITOR(4.7K OHM,1/6W)
R101	412-3113-051	CARBON FILM RESISITOR(12K OHM,1/6W)
R102,R153,R154	412-007USB-702	CHIP RESISTOR(12K OHM,1/10W,0603)
R103	412-007USB-696	CHIP RESISTOR(15K OHM,1/10W,0603)
R105	412-007USB-689	CHIP RESISTOR(120K OHM,1/10W,0603)
R106	412-DCM280-722	CHIP RESISTOR(4.3K OHM,1/10W,0603)
R108	412-3113-075	CARBON FILM RESISITOR(1.8K OHM,1/6W)
R109	412-007USB-675	CHIP RESISTOR(27K OHM,1/10W,0603)
R110	412-007USB-688	CHIP RESISTOR(150K OHM,1/10W,0603)
R111	412-007USB-705	CHIP RESISTOR(33K OHM,1/10W,0603)
R112,R131	412-3113-047	CARBON FILM RESISTOR(100K OHM,1/6W)
R113,R114	412-3113-053	CARBON FILM RESISITOR(15K OHM,1/6W)
R114,R187,R188,R189,R190,R191,R192,R193	412-CDVD2001-530	CHIP RESISTOR(100K OHM,1/10W,0603)
R115,R182,R183	412-007USB-707	CHIP RESISTOR(470K OHM,1/10W,0603)
R116,R128,R140	412-CDVD2001-546	CHIP RESISTOR(1M OHM,1/10W,0603)
R117	412-007USB-699	CHIP RESISTOR(3.3K OHM,1/10W,0603)
R118,R139,R145	412-CDVD2001-540	CHIP RESISTOR(1K OHM,1/10W,0603)
R119,R121,R144,R167,R168,R171,R178	412-CDVD2001-534	CHIP RESISTOR(10K OHM,1/10W,0603)
R120	412-007USB-708	CHIP RESISTOR(820K OHM,1/10W,0603)
R122	412-CDVD2001-537	CHIP RESISTOR(100K OHM,1/10W,0603)
R129,R147,R148,R151,R152	412-007USB-687	CHIP RESISTOR(15K OHM,1/10W,0603)
R130,R135,R136	412-3113-063	CARBON FILM RESISITOR(47K OHM,1/6W)
R132	412-DV300-291	CARBON FILM RESISITOR(30K OHM,1/6W)
R134	412-3113-046	CARBON FILM RESISTOR(150K OHM,1/6W)
R137,R138	412-CDVD2001-521	CHIP RESISTOR(220 OHM,1/10W,0603)
R142	412-CDVD2001-532	CHIP RESISTOR(47K OHM,1/10W,0603)
R143	412-3113-068	CARBON FILM RESISITOR(10K OHM,1/6W)
R146	412-KC220-132	CARBON FILM RESISITOR(10 OHM,1/6W)
R149,R150	412-007USB-703	CHIP RESISTOR(18K OHM,1/10W,0603)
R165	412-CDVD2001-554	CHIP RESISTOR(22 OHM,1/10W,0603)
R166	412-900-1016	CHIP RESISTOR(68 OHM,1/10W,0603)
R173,R174,R175,R176,R177	412-3113-058	CARBON FILM RESISITOR(220 OHM,1/6W)
R179	412-CDVD2001-550	CHIP RESISTOR(1.5K OHM,1/10W,0603)

SYMBOL	PARTS NO.	DESCRIPTION
R181	412-007USB-678	CHIP RESISTOR(220K OHM,1/10W,0603)
R185,R186	412-3113-060	CARBON FILM RESISITOR(100 OHM,1/6W)
R194,R195,R196	412-CDVD2001-530	CHIP RESISTOR(100K OHM,1/10W,0603)
R200,R201,R104,R180	412-CDVD2001-545	CHIP RESISTOR(470 OHM,1/10W,0603)
RB101	412-DV300-5143	RESISTOR NETWORKS(10K OHM,8R9P)
RB102	412-DJ-420	RESISTOR NETWORKS(10K OHM,7R8P)
TX101	415-RCC955A-091	COIL(P-7GB)
W103	404-M1055-2440	3P 2.5 CONNECTOR WIRE(L=60mm)
X102	427-RCC1055-107	CRYSTAL(11.059MHz)
X103	472-DRM120-095	QUARTZ CRYSTAL(24MHz)
ZD01	414-DCM270E3-093	ZENER DIODE(MTZJ27-D,1/2W)
ZD02	414-KC720-016	ZENER DIODE(MTZJ6.8-C,1/2W,MSD)
ZD103	414-HDJ200-056	ZENER DIODE(MTZJ5.1-B)
CONTROL PCB ASSY		
	704-M1055-6556	CONTROL PCB ASSY(BLACK)
	704-M1055-6560	CONTROL PCB ASSY(SILVER)
C401	413-HMA2200-5017	ELECT.CAPACITOR(100uF/10V)
C402,C405	413-DCM280-773	CHIP CAPACITOR(0.1uF/50V)
C403	413-810-919	ELEC.CAPACITOR(10uF/35V)
C404	413-CDVD2001-265	ELEC.CAPACITOR(47uF/16V)
C406	413-007USB-784	CHIP CAPACITOR(47pF/50V)
CN108A	404-300-1914	11P FFC CONNECTOR
D402,D403,D404,D405	414-CD1000-075	SWITCHING DIODE(1SS355,UMD2,SMD)
IC401	417-HV3500K-250B	IC(HT16511,QFP-52)
J10	412-DJ3000-414	CHIP RESISTOR(0 OHM,1/8W,1206)
MD401	417-RC16-223	INFRARED RECEIVER MODULE(PIC-12043TM2)
R401	412-007USB-674	CHIP RESISTOR(56KOHM,1/10W)
R403,R409,R410	412-CDVD2001-534	CHIP RESISTOR(10K OHM,1/10W, 0603M)
R405	412-PMSE1-156	CARBON FILM RESISTOR(47 OHM,1/4W)
R406,R407,R408	412-007USB-697	CHIP RESISTOR(47 OHM,1/10W, 0603M)
R411	412-3113-070	CARBON FILM RESISTOR(680 OHM,1/6W)
R411	412-3113-056	CARBON FILM RESISTOR(470 OHM,1/6W)
SW401,SW402,SW403,SW404,SW405,SW406,SW407	403-RCC1055-167	TACT SW(SKHVBL3720-HF,2PIN)
VFD401	410-DCM280-217	VFD(HNA-07MM23)
W102	404-RCC955A-931	2P CONNECTOR WIRE(L=70mm)
DSP PCB ASSY		
	704-M1055-6554	DSP PCB ASSY (DSP)
C01,C02,C03,C04,C05,C06,C07,C08,C09	413-DCM280-773	CHIP CAPACITOR(0.1uF/50V,Z,0603)
C10,C11,C12,C13,C14,C18,C19,C20,C21	413-DCM280-773	CHIP CAPACITOR(0.1uF/50V,Z,0603)
C15	413-007USB-784	CHIP CAPACITOR(47pF/50V,J,0603)
C22,C23,C25,C27,C29,C31,C32,C33	413-DCM280-773	CHIP CAPACITOR(0.1uF/50V,Z,0603)
C26	413-HMA2200-5017	ELEC.CAPACITOR(100uF/10V)
C28	413-HT801K-192	ELEC.CAPACITOR(220uF/10V)
CN105A	404-900-2083	5P FFC CONNECTOR(180°)
CN106A	404-900-2092	9P FFC CONNECTOR(90°)
CN106A,CN107A	404-4001-2235	12P FFC SOCKET
CN107A	406-M1055-863	12P 1.0 FFC CABLE(L=60mm)
CN109A	404-900-2090	5P FFC CONNECTOR(90°)
CN109A	406-M1055-862	5P 1.0 FFC WIRE (L=68mm)
R02,R03	412-CDVD-2001-523	CHIP RESISTOR(4.7K OHM,1/10W,0603)
R04,R05,R06,R07,R08,R09,R11,R13	412-CDVD2001-521	CHIP RESISTOR(220 OHM,1/10W,0603)
R19,R26,R27	412-CDVD-2001-534	CHIP RESISTOR(10K OHM,1/10W,0603)
R29	412-007USB-698	CHIP RESISTOR(270 OHM,1/10W,0603)
R30	412-CDVD-2001-552	CHIP RESISTOR(0K OHM,1/10W,0603)
RB01	412-DJ1-420	RESISTOR NETWORKS(10K OHM, 7R8P)

SYMBOL	PARTS NO.	DESCRIPTION
U1	417-MCDS4-736	IC(SCF5249LPV120,SMD)
U2	417-CDM88-501	IC(K4S641632E SMD-54)
U3	704-M1055-6555	IC FLASH ASSY (M29W800B70N6.SMD)
U7	417-MCDS4-737	IC(BA18BC0FP—E2,3PIN,TO252-3,SMD)
U8	704-M510-5564	IC DSP ASSY (XC9536XL-10VQ44C,SMD)
W110	404-ST100-1289	2P CONNECTOR WIRE(L=130mm)
	406-M1055-876	9P 1.0 FFC CABLE(L=60mm)
AUDIO PCB ASSY		
	704-M1055-6569	AUDIO PCB ASSY (AUDIO)
C101,C122,C121,C127,C911,C913,C125,C126,C128,C912	413-RCC955A-361	ELEC.CAPACITOR(100uF/25V,041 25BGF 100M)
C102,C104,C109,C106	413-RCC955-365	CAPACITOR(473K/50V,046 T50V473K)
C103,C108,C105,C107,C110	413-RCC955A-359	ELEC.CAPACITOR(4.7uF/25V,041 25BGF47M)
C112,C111	413-RCC1055-791	ELEC.CAPACITOR(4.7uF/50V)
C113,C114	413-RCC1055-792	POLYSTYRENE CAPASITOR(100pF/160V)
C115,C116,C119,C120	413-RCC955A-364	PS CAPACITOR(1000pF/160V,044 FSC 160V102H)
C117,C118	413-RCC955A-363	PS CAPACITOR(560pF/160V,044 FSC 160V561H)
C123,C908,C903,C907,C910,C904,C914	413-3113-028	CERAMIC CAPACITOR(0.01uF/50V)
C905,C906	413-RCC1055-982	ELEC.CAPACITOR(4700uF/35V 22×25mm)
C909	413-3113-049	ELEC.CAPACITOR(1uF/50V)
C918	413-HS100-180	ELEC.CAPACITOR(100uF/25V)
C919	413-1430-071	CERAMIC CAPACITOR(1000PF/50V)
C920	413-3113-035	CERAMIC CAPACITOR(0.1uF/50V)
C921,C922	413-DV330-311	CHIP CAPACITOR(1000pF/50V)
C923,C924	413-DV330-314	CHIP CAPACITOR(15pF/50V)
CON101	404-HV3500K-623A	3P SOCKET(B3B-XH-A,P=2.5mm,180DEGREE)
CON102	404-KMD1500-608A	2P SOCKET(CKM2501WV-2P 180°WHITE)
CON106	404-HP1010K-257A	2P SOCKET(CKM2001WV-2P P=2mm)
CON110	404-900-2090	5P FFC CONNECTOR(90°)
CON901	404-RCC955A-707	3P SOCKET(P=3.96mm CKM3961WV-3P)
D901,D902,D903,D904,D905,D906	414-RCC955A-074	DIODE(1N4003,1A/200V)
D907	414-HT8015-024	ZENER DIODE(MTZJ6.2-B,1/2W,T-77)
D908	412-2002-002	SWITCHING DIODE(1N4148)
D910	414-3113-005	SWITCHING DIODE(1SS132/1SS133)
D911,D912,D913	414-DJ1100G-207	ESD DIODE(RSB6.8S-TE61)
IC101	417-RCC1055-600	IC(PCM1732,SOP-28)
IC103,IC104	417-RCC955A-293	IC(OP275GP,8PIN)
IC901	417-KC730-123	IC(NJM7805FA 3PIN)
IC902	417-DV330-216	IC(NJM7815FA 3PIN)
IC904	417-RCC955A-291	IC(NJM7915FA)
JK01	420-RCC955A-089A	2P RCA JACK(WHITE)
L101	415-RCC955A-093	CHOKE COIL(4.7uH)
L105	415-HV3500K-090	BEAD CORE(TB36-863445NP)
Q903,Q902,Q901,Q905	416-3113-007	TRANSISTOR(2SC1740R)
Q904	416-3113-008	TRANSISTOR(2SA933SR OR 2SA608G)
R101,R102,R103	412-PMSE1-279	CARBON FILM RESISTOR(100 OHM,1/4W)
R102,R103,R104	415-RCC955A-094	MICRO INDUCTOR(33uH)
R111,R112	412-RCC955A-383	RESISTOR(470R,054 LTMF 1/4-4700F)
R113,R114	412-RCC1055-717	RESISTOR(33K OHM,1/4W)
R116,R115	412-RCC955A-386	RESISTOR(12K OHM,054 LTMF 1/4-1202F)
R117,R118	412-RCC1055-715	RESISTOR(3.3K OHM,1/4W)
R119,R120	412-RCC1055-718	RESISTOR(1.2K OHM,1/4W)
R122,R121	412-RCC1055-716	RESISTOR(2.7K OHM,1/4W)
R123,R124	412-RCC955A-387	RESISTOR(560K OHM,054 LTMF 1/4-5603F)
R126,R125	412-RCC955A-382	RESISTOR(100R,054 LTMF 1/4-1000F)
R127	412-3113-083	CARBON FILM RESISTOR(15K OHM,1/4W)
R128	412-DV300-285	CARBON FILM RESISTOR(330 OHM,1/4W)

SYMBOL	PARTS NO.	DESCRIPTION
R129,R130	412-D396-135	CARBON FILM RESISTOR(1.5K OHM,1/6W)
R132	412-3113-045	CARBON FILM RESISTOR(33K OHM,1/6W)
R133	412-VCDG3-395	CHIP RESISTOR(470 OHM,1/8W,0805)
R134	412-KT346-113	CARBON FILM RESISTOR(56K OHM,1/6W)
R901	412-3113-088	CARBON FILM RESISTOR(22K OHM,1/4W)
R902	412-RCC955A-380	CARBON FILM RESISTOR(3.3K OHM,1/4W)
R903	412-3113-084	CARBON FILM RESISTOR(10K OHM,1/4W)
R904	412-3113-081	CARBON FILM RESISTOR(82K OHM,1/4W)
R905	412-3113-087	CARBON FILM RESISTOR(100K OHM,1/4W)
R906	412-3113-092	CARBON FILM RESISTOR(56K OHM,1/4W)
R907	412-3113-059	CARBON FILM RESISTOR(22K OHM,1/6W)
R908	412-PMSE1-278	CARBON FILM RESISTOR(820K OHM,1/4W)
R909	412-RCC1055-753	METAL OXIDE FILM RESISTOR(56 OHM,1W)
RY901	415-RCC955A-095	RELAY (063 A24W-K)
X101	427-KC710-019	CRYSTAL(16.9344MHz)
POWER SWITCH PCB ASSY		
	704-RCC1055-4047	POWER SWITCH PCB ASSY(120VOLT)
	704-1055C-5318	POWER SWITCH PCB ASSY(230VOLT)
C401	413-1431-104	AC SAFETY CAPACITOR(4700pF/250V,M,BULK,Y5V)
F401*	422-270X-033	FUSE(500mA/250V,UL/CSA)(120VOLT)
F401*	422-KT350A-003	FUSE(T500mA/250V 50F VDE L-20mm)(230VOLT)
L401	415-RCC955A-092	INDUCTOR(LF-2217)
R402	406-3113-175	JUMPER
SW401	403-RCC1055-165	POWER SW(SFDL11G7U-HF,2PIN)
PHOTO TRANSISTOR PCB ASSY		
	704-DCM270X-1797	PHOTO TRANSISTOR PCB ASSY
Q01	416-DCM270X-120	PHOTO TRANSISTOR(LTR-301)
INFERARED EMITTING PCB ASSY		
	704-DCM270X-1798	INFERARED EMITTING PCB ASSY
D01	410-DCM270X-132	INFERARED EMITTING DIODE(LTE-4206C)
R01	412-3113-078	CARBON FILM RESISTOR(1K OHM,1/6W,J,T-26)
	605-DCM270-055	ROUND PLASTIC SPACER(302A)
OTHERS		
	011 FP-557-B	BLACK PANEL ASSY
	011 FP-557-S	SILVER PANEL ASSY
	012 RV4-09A00	PUSH BUTTON 14Φ(BLACK)
	012 RV4-09A01	PUSH BUTTON 14Φ(SILVER)
	012 TN2-08A00	TACT BUTTON 15KEY(BLACK)
	012 TN2-08A01	TACT BUTTON 15KEY(SILVER)
	019 4TSH-19#2	PLASTIC FOOT 50Φ
	034 LTL1214A	LED(RED)2ΦLTL1214A
	034 SEL1124R	LED(RED)1×5 SEL1124R
	034 SEL1E24W	LED(BLU)1×5 SEL1E24W
	069 C-4629A01	AC 2P INLET 6102.3100(WIRING)
	072 C-4621A01	AC CORD SET SJT AWG16/2C for USA
	100-RCC1055B-1302	CD DOOR(SILVER)
	100-RCC955A-1302	CD DOOR(BLACK)
	300-RCC1055-930	TOP COVER
TX1	411-RCC955A-130	TRANSFORMER
	506-RCC1055-302L	STYROL MOULDING(L)
	506-RCC1055-302R	STYROL MOULDING(R)
	506-RCC1055-478	STYROL MOULDING(UNDER PLATE)
	507-RM1055A-2318	INSIDE CARTON
	507-RM1055A-2319	SHIPPING CARTON

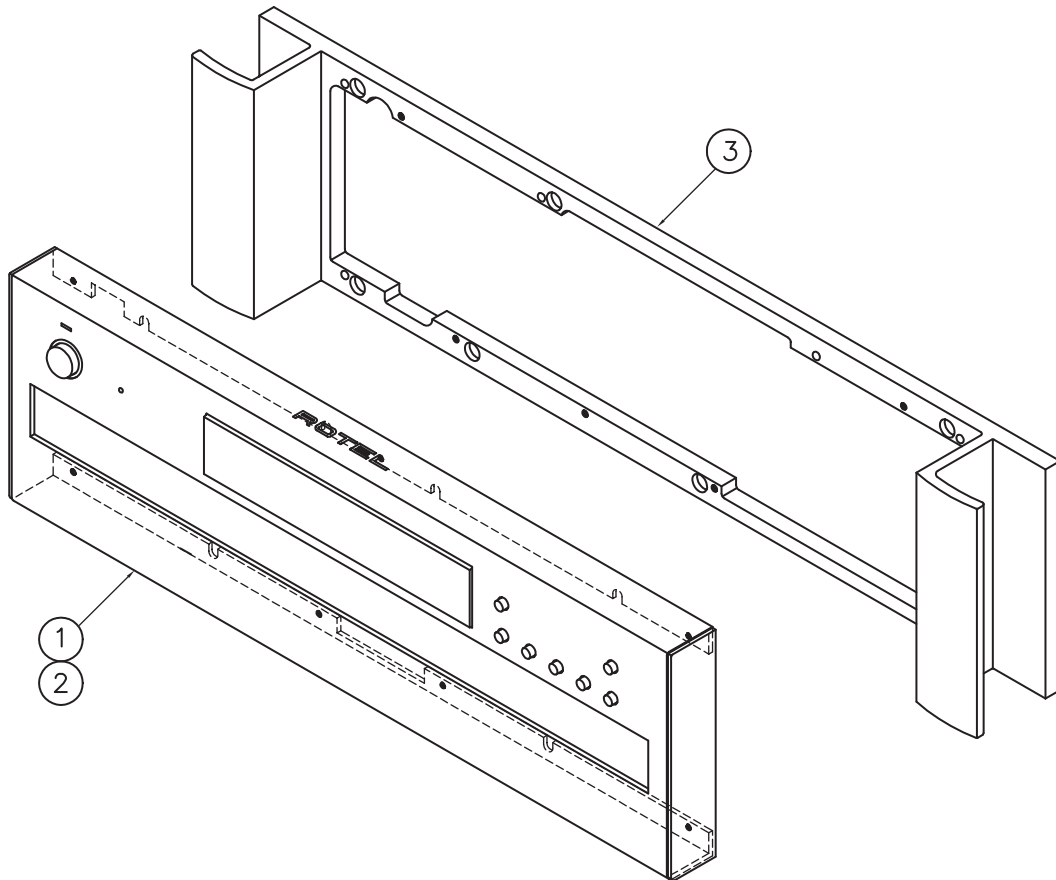
SYMBOL	PARTS NO.	DESCRIPTION
	701-AVD3500K-1668	TRANSIT SCREW ASSY
	701-RCC955A-1953	REMOTE CONTROLLER ASSY
	082 OMRCC-1055V02	OWNER'S MANUAL

Addendum List for Black and Silver

RCC1055 / V02

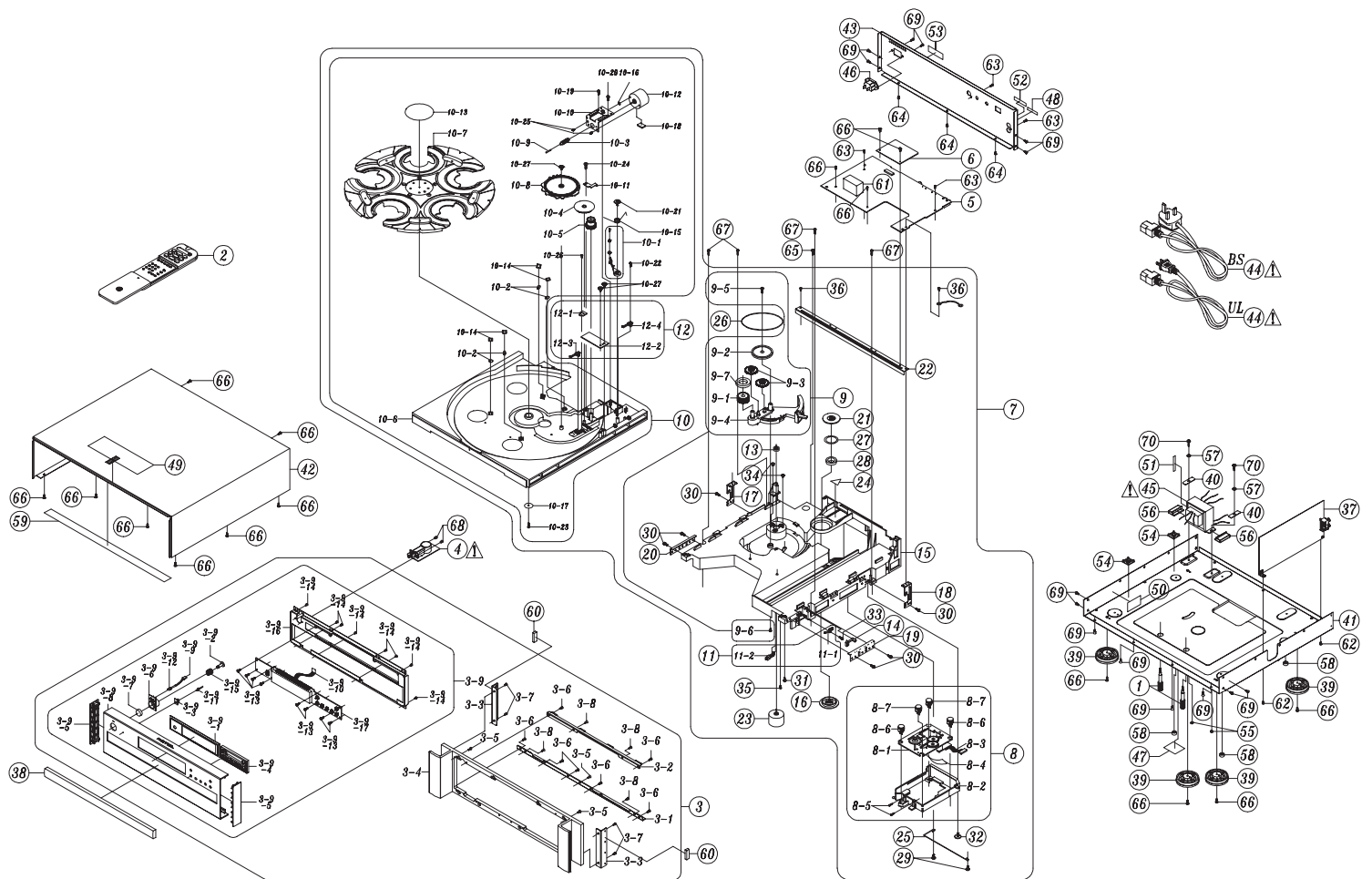
SYMBOL	PARTS	DESCRIPTION
①	011 FP-557-B	BLACK PANEL ASSY
②	011 FP-557-S	SILVER PANEL ASSY
③	011 UM3-01B00	H/S PANEL H109
	012 RV4-09A00	PUSH BUTTON 14F (BLK)
	012 RV4-09A01	PUSH BUTTON 14F (SLV)
	012 TN2-08A00	TACT BUTTON 15KEY(BLK)
	012 TN2-08A01	TACT BUTTON 15KEY(SLV)
	100-RCC955A-1302	PLASTIC DOOR(NO LOGO PRINT) BLK
	100-RCC1055B-1302	PLASTIC DOOR(NO LOGO PRINT) SLV
	034 SEL1124R	LED (RED) 1X5
	034 SEL1E24W	LED (BLU) 1X5

Panel Assy is included:
 Panel Window
 Side Cap
 Knob Ring
 Tact buttons
 LED



Disassembly Diagram

RCC-1055V02



SYMBOL	PARTS NO.	DESCRIPTION
EXPLODED VIEW PART LIST		
1	701-AVD3500K-1668	TRANSIT SCREW ASSY
2	701-RM1055-3835	REMOTE CONTROLLER ASSY
3	701-RM1055-3837	HANDLE ASSY(BLACK)
3	701-RM1055A1-3849	HANDLE ASSY(SILVER)
3-1	300-RCC1055-933	DOWN BOARD
3-2	300-RCC1055-934	SUPPORT FOR TOP COVER(SECC,1.2t)
3-3	300-RCC1055-938	FIXED PLATE(SECC,1.6t)
3-4	300-RCC1055-939	HANDLE (H/S PANEL)
3-5	602-RCC1055-416	SCREW(ISOF,M3xP0.5x16L,MC)
3-6	602-RCC1055-417	SCREW(ISOO,M3xP0.5x8L,NI)
3-7	602-RCC1055-418	SCREW(ISOO,M4xP0.7x8L,ZS)
3-8	602-SA12-381	SCREW(ISOO,3x14xP0.5,MC)
3-9	701-RM1055-3838	FRONT PANEL ASSY(BLACK)
3-9	701-RM1055A1-3850	FRONT PANEL ASSY(SILVER)
3-9-1	100-RCC955-1333	WINDOW LENS
3-9-2	100-RCC955-1531	RING FOR KNOB(4TTL-15)
3-9-3	100-RCC955-1535	LED HOLDER(019C-4598A00)
3-9-4	100-RCC1055-2034	VFS BUTTON(BLACK)
3-9-4	100-RCC1055B-2034	VFS BUTTON(SILVER)
3-9-5	100-RCC1055-2035	CAP(PP,BLACK)
3-9-6	100-RCC1055-2036	VFS KNOB BASE(ABS,BLACK)
3-9-6	100-RCC1055B-2036	VFS KNOB BASE(SILVER)
3-9-7	100-RCC1055-2037	BUTTON(ABS,BLACK)
3-9-7	100-RCC1055B-2037	BUTTON(SILVER)
3-9-8	300-RCC1055-940	FRONT PANEL(BLACK)
3-9-8	300-RCC1055B-940	FRONT PANEL(SILVER)
3-9-9	404-M1055-2347	2P 2.5 CONNECTOR WIRE(L=570mm)
3-9-10	406-M1055-861	11P FFC CABLE(L=231mm)
3-9-11	410-RCC955A-126	VFS LED LITEON(RED,034,LTL1214A)
3-9-12	410-RCC955A-127	VFS LED SANKEN(RED,034 SEL1124R)
3-9-12	410-RCC1055-219	VFS LED SANKEN(BLD,034)
3-9-13	602-HP1010K-175	SCREW(SAE1018,BTB,F3xL8)
3-9-14	602-RCC1055-417	SCREW(ISOO,M3xP0.5x8L,NI)
3-9-15	603-RCC955-232	SPRING(019 4TR-1988A#2)
3-9-16	703-RCC1055-687	FRONT CHASSIS ASSY
3-9-17	704-M1055-6556	CONTROL PCB ASSY(BLACK)
3-9-17	704-M1055-6560	CONTROL PCB ASSY(SILVER)
4	704-RCC1055-4047	POWER PCB ASSY(120VOLT)
4	704-1055C-5318	POWER PCB ASSY(230VOLT)
5	704-M1055-6553	SERVO PCB ASSY
6	704-M1055-6554	BUFFER PCB ASSY
7	704-RM1055-6562	5CD LOADER ASSY
8	701-KMD550-1588	CD HEAD TRACKING ASSY
8-1	704-HV3423K-1441	PICKUP ASSY(KSM-213CCM)
8-2	100-KMD550-1220B	CD DECK HOLDER
8-3	404-KMD5000-663	6P CONNECTOR WIRE(L=230mm P=2.0mm JST)
8-4	406-KMD5000-413	RIBBON WIRE(16PIN P=1.0mm L=210mm)
8-5	602-PTP3014-601	SCREW(PTP 3x14)
8-6	604-KMD550-117	CUSHION RUBBER(RED SILICA GEL)
8-7	604-KMD550-118	CUSHION RUBBER(PRIMARY COLORS)
9	701-KMD550-1603	GEAR SLIDE PLATE ASSY
9-1	100-KMD280-727	S.GEAR
9-2	100-KMD280-732B	BELT GEAR
9-3	100-KMD280-734	S.GEAR

Assembled List 2/3

RCC-1055V02

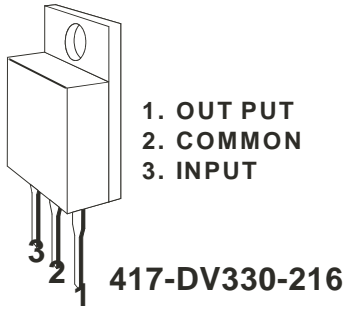
SYMBOL	PARTS NO.	DESCRIPTION
9-4	100-KMD550-860D2	GEAR SET
9-5	602-KMD510-169	SCREW(M3x8 PTP)
9-6	602-KMD550-261	SCREW
9-7	606-CMP1000-187	WASHER(F13x8.1x0.4t)
10	701-RM1055-3859	TRAY ASSY
10-1	701-KMD550-1593	CORRECTION LEVER ASSY
10-2	100-KMD280-729	WHEEL
10-3	100-KMD280-731A	SPIRAL GEAR
10-4	100-KMD280-733	MIDDLE GEAR
10-5	100-KMD280-736A	TRANSFER GEAR
10-6	100-KMD550-1214C	BASE
10-7	100-4001-1215A	DISK
10-8	100-KMD550-1216	DRIVE GEAR
10-9	200-KMD280-174	SHAFT
10-10	300-KMD550-262	MOTOR FIXED PLATE
10-11	300-KMD280-305	FORWARD GEAR FIXED IRON
10-12	401-MK7-043A	MOTOR(MEN-7E2T5,DC12V)
10-13	501-RCC1055-1099	FIXED SHEET
10-14	501-KMD550-1146	FIXED SHEET
10-15	603-KMD550-199	CONECTING SPRING
10-16	606-H900-052	WASHER(F5x3.2x0.25t)
10-17	606-C426-066	FIXDE CENTER WASHER
10-18	612-KMD510-032	MUTE SHEET
10-19	602-M100-032	SCREW DIA.3x10 SHARP END
10-20	602-2002-077	SCREW(SAE1018,BTP,F3xL8)
10-21	602-SL24F-097	SCREW(M3x9 PTP)
10-22	602-SL24F-099	SCREW(SAE1018,PTP,M2.6xL8)
10-23	602-MK7-131	SCREW(SAE1018,PTP,M3x10)
10-24	602-KM300-144	SCREW(2.6x5.5mm)
10-25	602-KM500-155	SCREW(SAE1018,JMP,F2.6xL3xP0.45)
10-26	602-KMD510-158	SCREW(SAE1018,PTP,F2.6xL6)
10-27	602-DV300-5023	SCREW(WPTP,F2.6xL7,CAP F10)
11	704-KMD550B-2129	7P CONNECTOR WIRE ASSY
11-1	403-DM11A-020	LEAF SW(LSA-1119H,2PIN)
11-2	403-KMD280-048	LEAF SW(LSA-2127F,3PIN)
12	704-KMD550B-2130	8P CONNECTOR WIRE ASSY
12-1	704-DCM270X-1797	PHOTO TRANSISTOR PCB ASSY
12-2	704-DCM270X-1798	INFERARED EMITTING PCB ASSY
12-3	403-DM11A-020	LEAF SW(LSA-1119H,2PIN)
12-4	403-KMD550-087	LEAF SW(LSA-1119F,2PIN)
13	100-KMD280-728	MOTOR PULLEY
14	100-KMD280-730	SWITCH CONTROL
15	100-KMD550-1213A	BOTTOM BASE
16	100-KMD550-1219	DISK HOLDER
17	300-KMDV280C263A	L.FIXED PLATE
18	300-KMDV280C264A	R.FIXED PLATE
19	300-KMD280-265RA	STAY R
20	300-KMD550-265L	STAY L
21	300-KMD550-466	SWIVEL PLATE
22	300-390-486A	MAIN PCB BRACKET
23	401-MK7-043A	MOTOR(MEN-7E2T5,DC12V)
24	501-1033-428	LASER BEAM LABEL(25x23mm)
25	603-KMD280-200	STEEL WIRE
26	604-KMD280-094	MOTOR BELT
27	612-KT300-007	WASHER(HIMILOM)

Assembled List 3/3

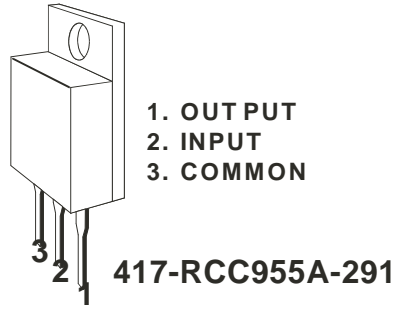
RCC-1055V02

SYMBOL	PARTS NO.	DESCRIPTION
28	613-MK7-002A	MAGNET(F30x18x5t,650Gm)
29	602-B600-056	SCREW(SAE1018,WPTP,M3x8)
30	602-2002-077	SCREW(SAE1018,BTP,F3x8)
31	602-SL24F-096	SCREW(M3x7PTP)
32	602-SL24F-097	SCREW(M3x9PTP)
33	602-SL24F-099	SCREW(SAE1018,PTP,M2.6xL8)
34	602-MK7-134	SCREW(SAE1018,WJMP,F2.6xL4xP0.45,CAP F6.5)
35	602-KMD550-250	SCREW(PTP 3x14)
36	602-KMD550-255	SCREW(2.6x6m/m)
37	704-M1055-6569	AUDIO PCB ASSY
38	100-RCC955A-1302	CD DOOR(BLACK)
38	100-RCC1055B-1302	CD DOOR(SILVER)
39	100-RCC955-1532	FOOT(019 4TSH-19#2)
40	300-DV300B-443	BRACKET TRANSFORMER
41	300-RCC1055-929A	BUTTON BASE(SECC.1t)
42	300-RCC1055-930	TOP COVER(SECC,1t,BLACK)
43	300-RM1055-932A	BACK BOARD(SECC.1.2t,BLACK)
44	409-RCC1055-107	AC CORD(SJT AWG16(01),072C-4621A03)(120VOLT)
44	409-1055C-130	VFS AC POWER CORD
44	409-1055C-130	(L=1500mm,BS TYPE,072 C-4623A03)(230VOLT)
45	411-RCC955A-130	TRANSFORMER(AC115/230V,60/50Hz,EL-57)
46	420-RCC1055-148	CARD JACK(069C-4629A01)
47	501-HT8023K-949	TRANSIT SCREWS LABEL
48	501-DV300-1067	LABEL(BARE,36 8mm,t=1.2mm)
49	501-RCC955A-1284	TRANSPORTATION SCREW LABEL(120x40mm,t=0.08mm)
50	501-RCC955A-1309	FUSE LABEL(40x24mm,t=0.08mm)(120VOLT)
50	501-RCC955A-1309A	FUSE LABEL(40x24mm,t=0.08mm)(230VOLT)
51	501-RM1055A-1324	LABEL FOR TRANSFORMER(40x6mm,t=0.07mm)(BLACK)
51	501-RM1055A1-1324	LABEL FOR TRANSFORMER(40x6mm,t=0.07mm)(SILVER)
51	501-RM1055B1-1324	LABEL FOR TRANSFORMER(40x6mm,t=0.07mm)(SILVER)
52	501-RM1055A-1328	SEIES NO.LABEL(30x6mm,t=0.07mm)(BLACK)
52	501-RM1055A1-1328	SEIES NO.LABEL(30x6mm,t=0.07mm)(SILVER)
52	501-RM1055B1-1328	SEIES NO.LABEL(30x6mm,t=0.07mm)(SILVER)
53	501-RM1055A-1960	RATING LABEL(45x14mm,t=0.08mm)(120VOLT)
53	501-RM1055B-1960	RATING LABEL(45x14mm,t=0.08mm)(230VOLT)
54	504-HDJ7000-032	ADHESIVE BACKED MOUNT(AB-2-NQW2,WHITE,19x19x3.9t)
55	601-F200-001	NUT(M4xP0.7,3t)
56	604-DJ5000-286	RUBBER FOR TRANSFORMER
57	606-STR830-141	SPRING(F7x4.3x1t)
58	612-HMD5000-065	PROTECTIONMAT
59	612-RCC1055-149	SPACER FOR TOP COAVER(EVA,BLACK,380x10x3t)
60	612-RCC1055-152	CUSHION(EVA,BLACK,30x10x6t)
61	612-RCC1055-243	CUSHION(EVA,40x20x27mm)
62	602-B300-041	SCREW(3x5P=0.5)
63	602-2002-077	SCREW(SAE1018,BTP,F3x8)
64	602-KE200-145	SCREW(3x5mm,BLACK)
65	602-HP1010K-174	SCREW(BTP,F3xL10)
66	602-HP1010K-175	SCREW(SAE1018,BTB,F3xL8)
67	602-DV300B-219	SCREW(TTB M3x12mm)
68	602-RCC955-291	SCREW(ISOP,M3xL6xP0.5)
69	602-RCC1055-422	SCREW(BTO,3x8L,ZS)
70	602-RCC1055-593	SCREW(F4xL12xP0.7)

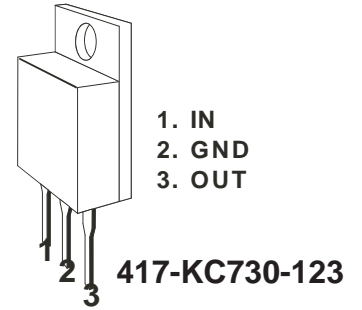
NJM7815FA



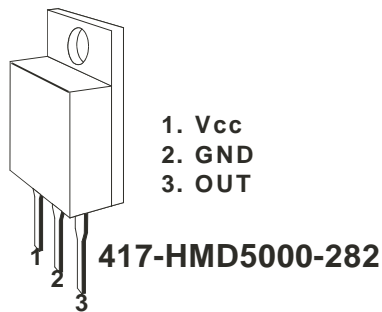
NJM7915FA



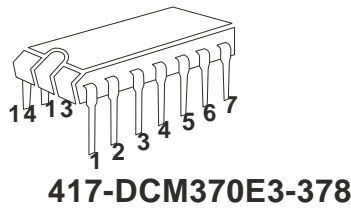
NJM7805FA



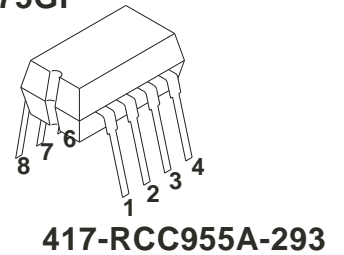
BA08T



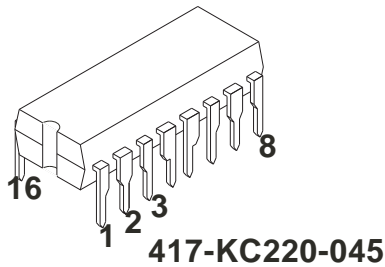
74HCU04D



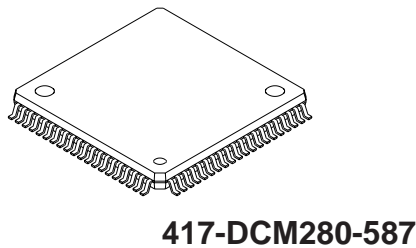
OP275GP



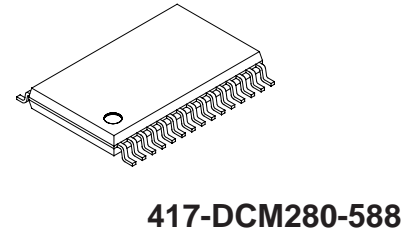
LA6531



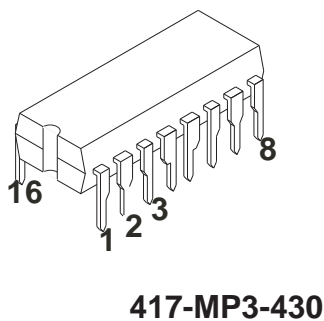
CXD3068Q



CXA2581N



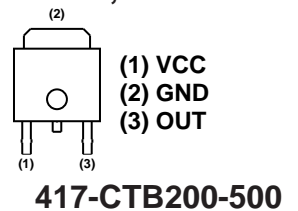
SP232ACP



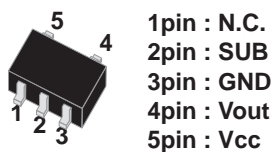
PCM1732

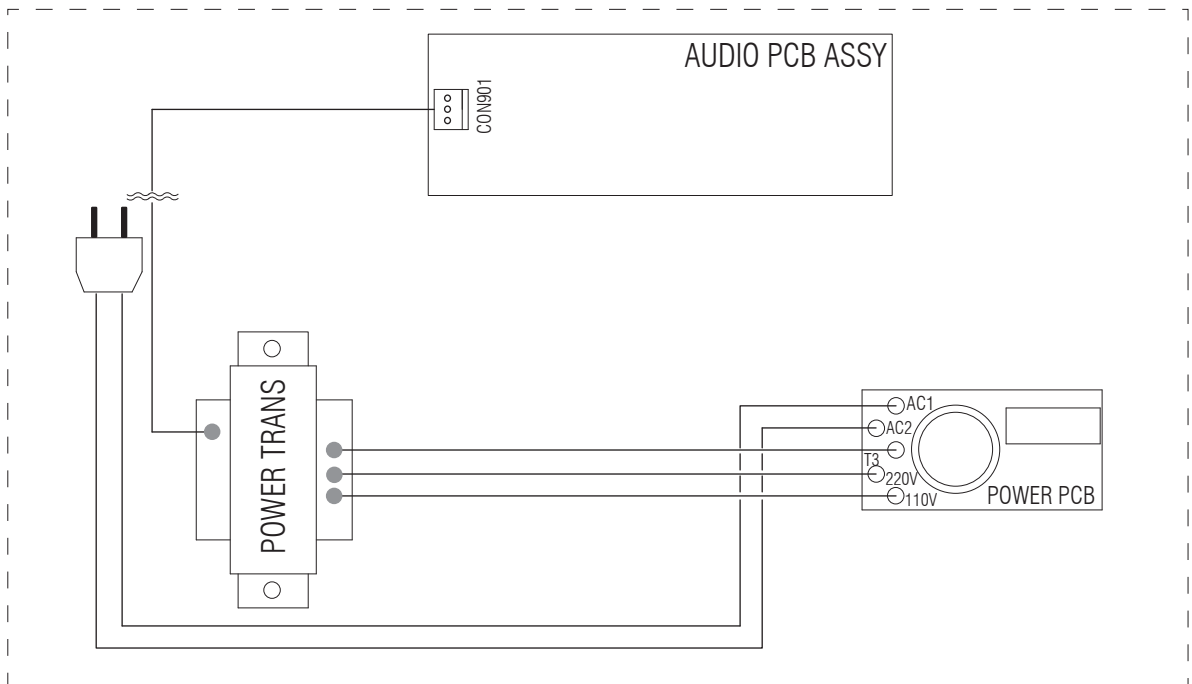
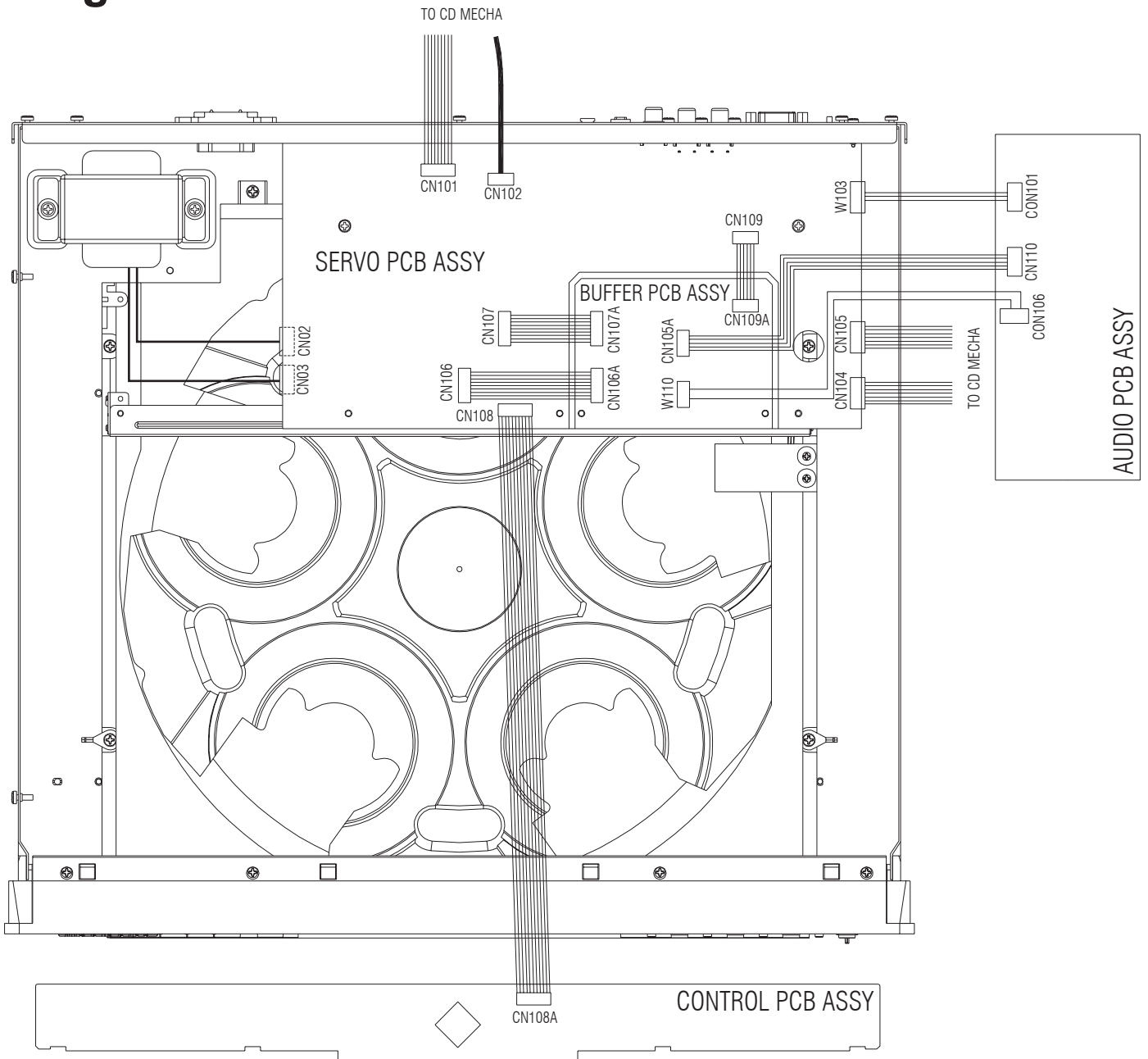


BA033FP-E2,TO252-3



BD4745G

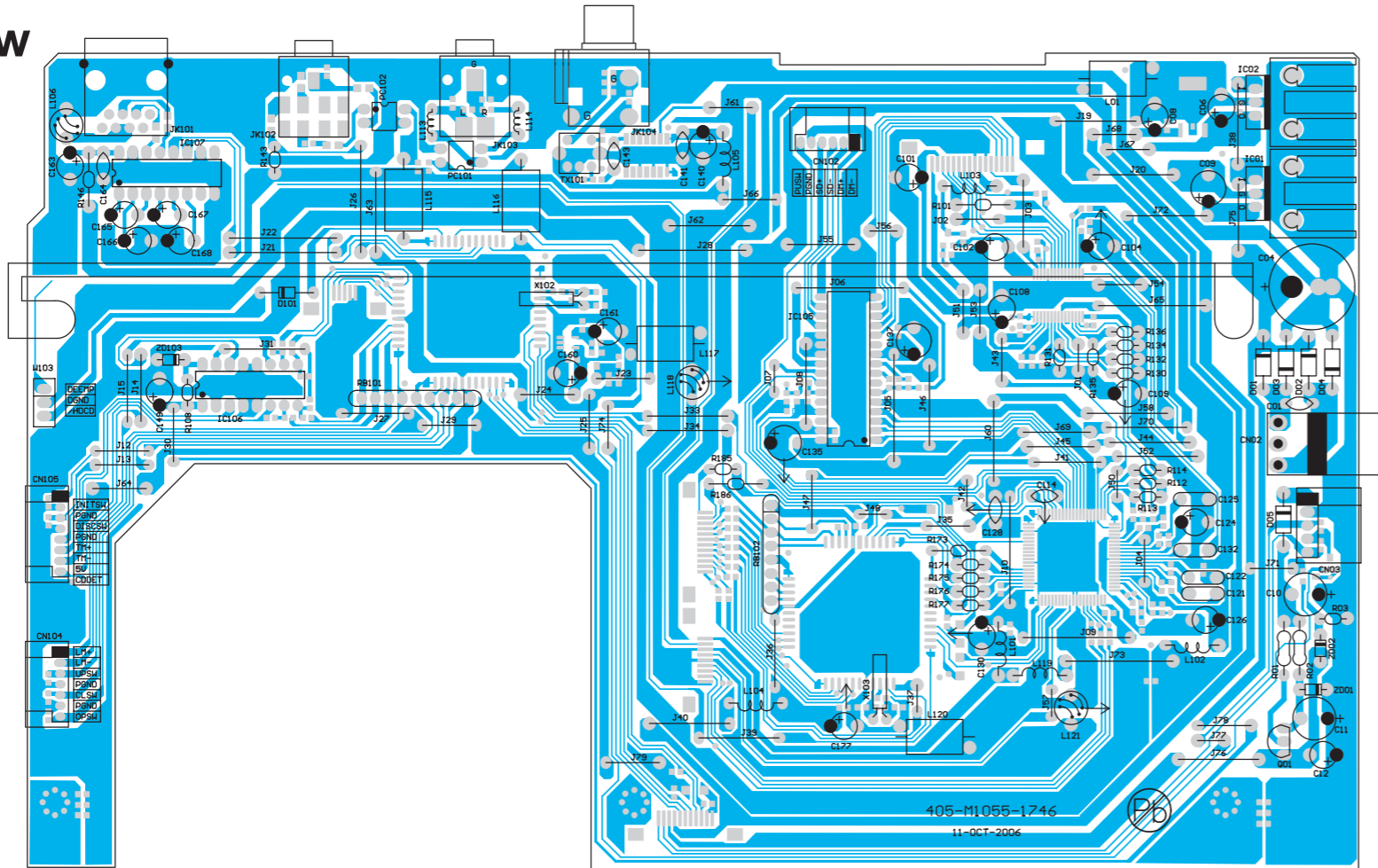




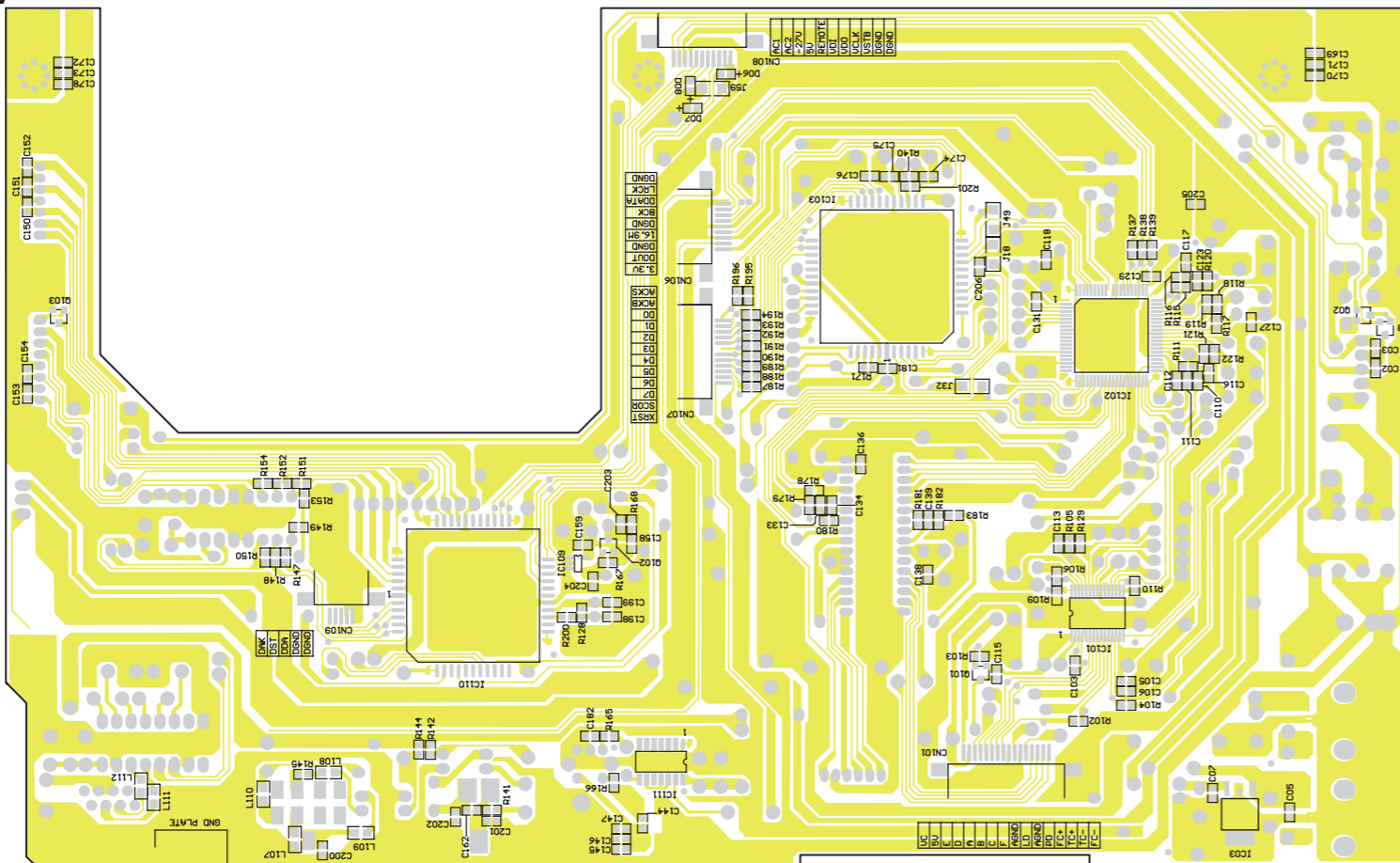
<Memo>

SERVO PCB 405-M1055-1746

Top View

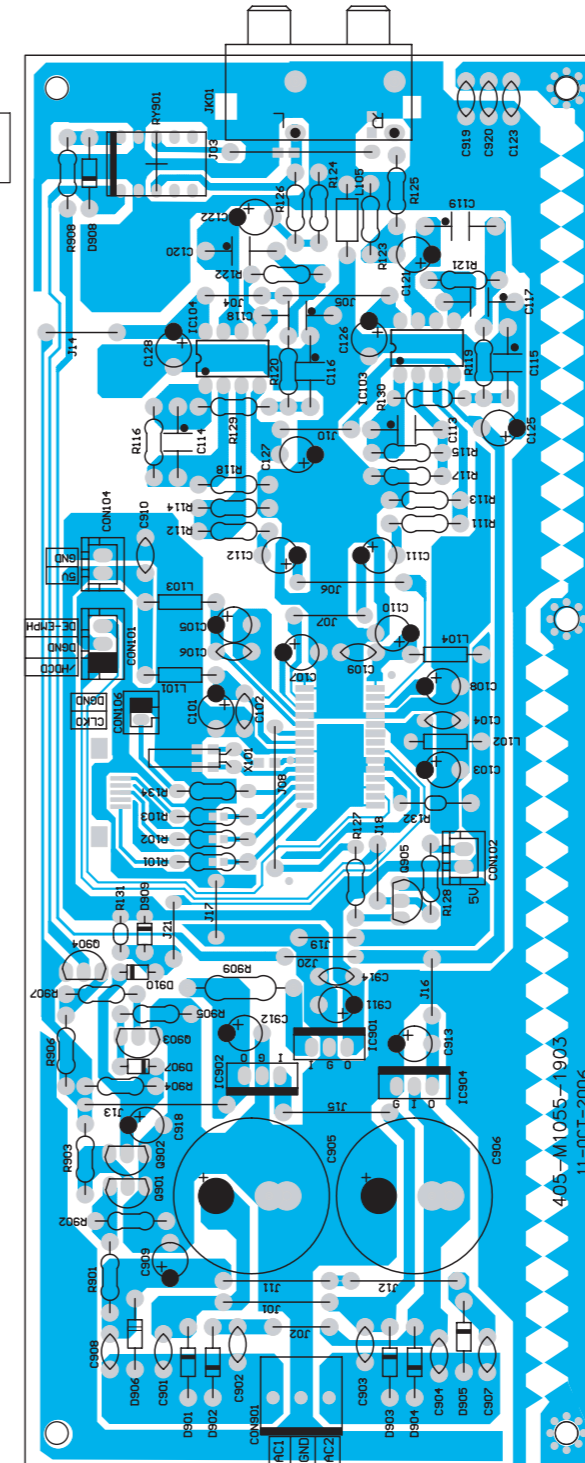


Bottom View

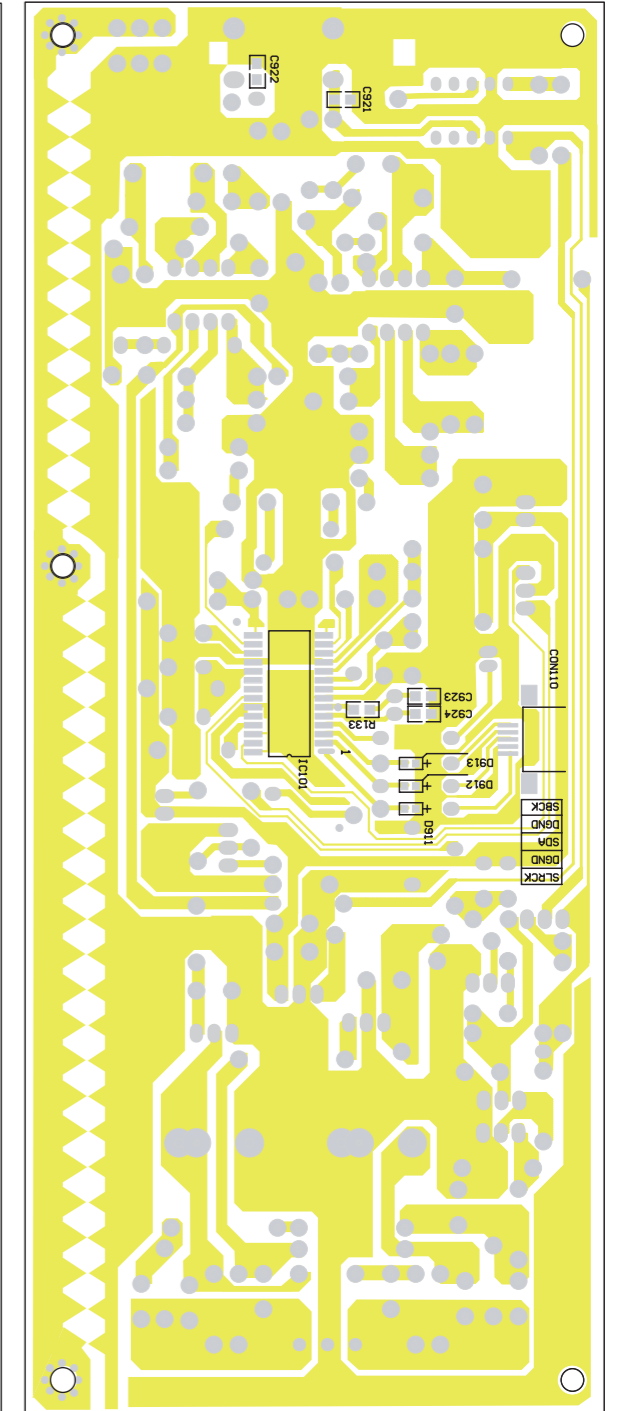


AUDIO PCB 405-M1055-1903

Top View

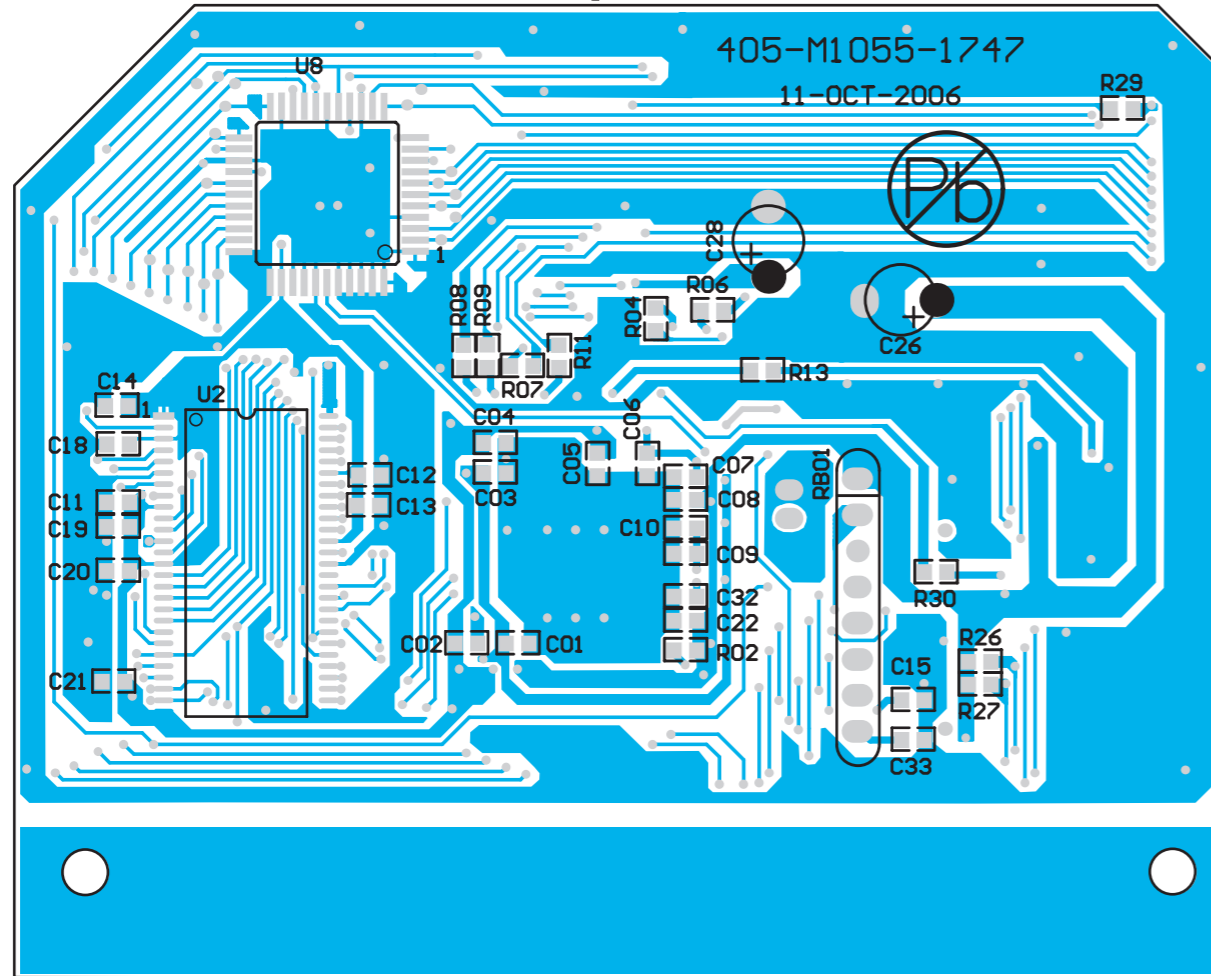


Bottom View

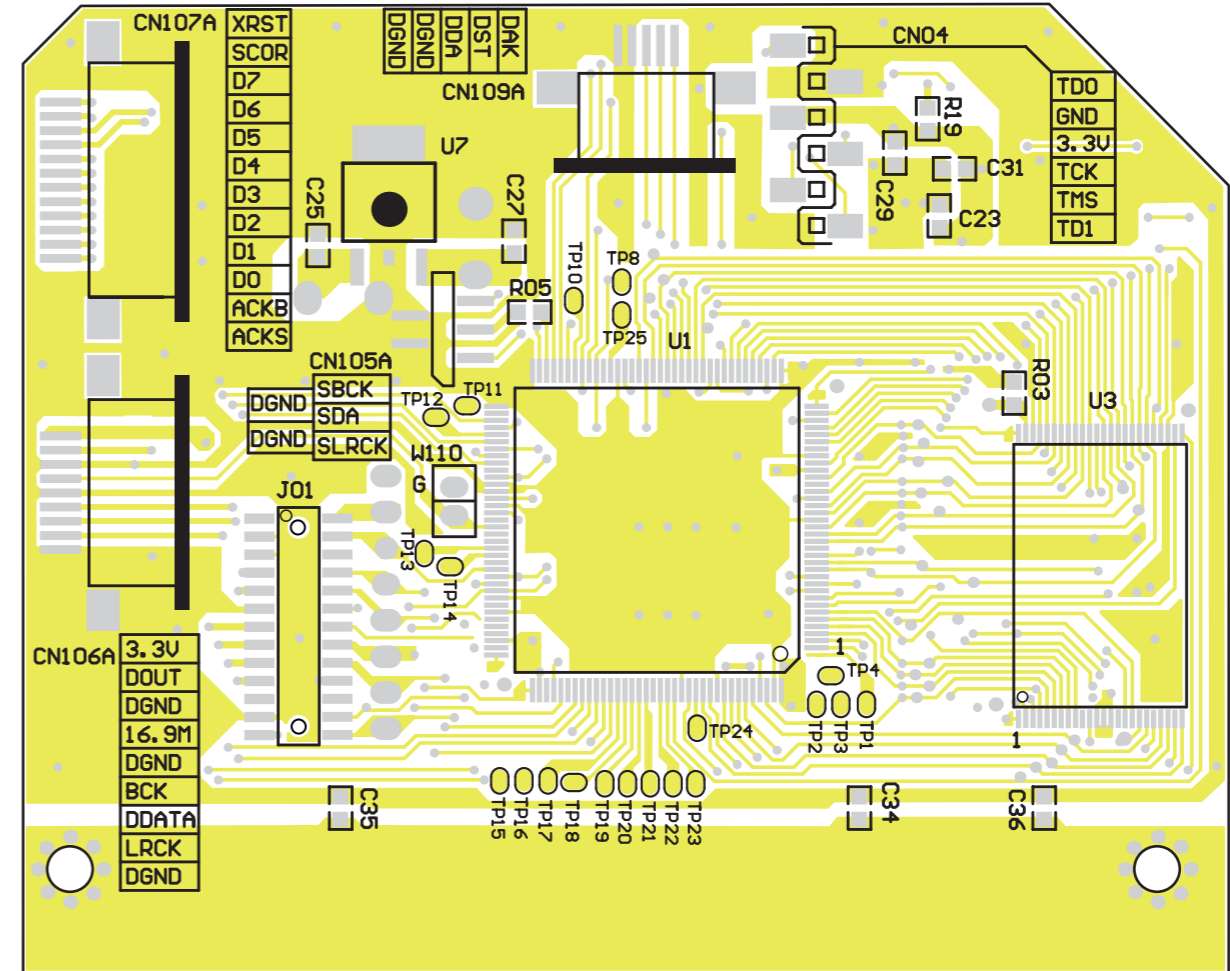


DSP PCB 405-M1055-1747

Top View

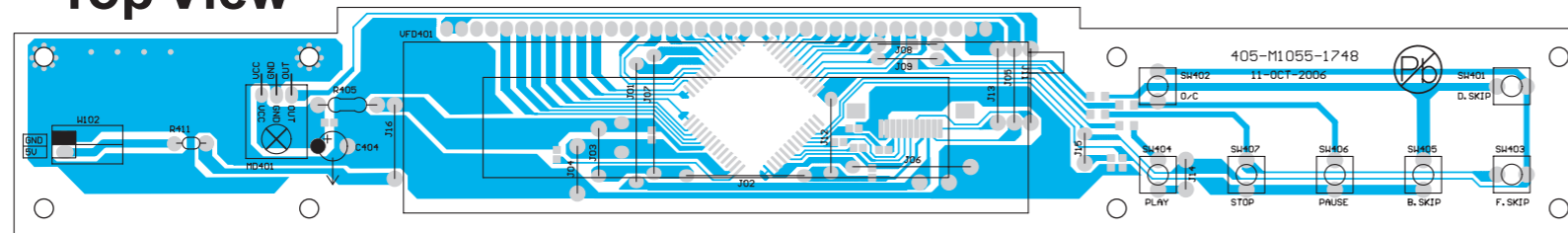


Bottom View

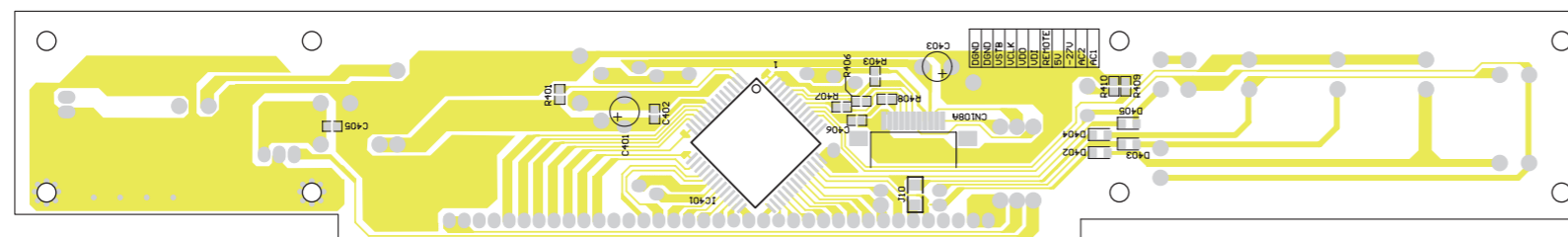


CONTROL PCB 405-M1055-1748

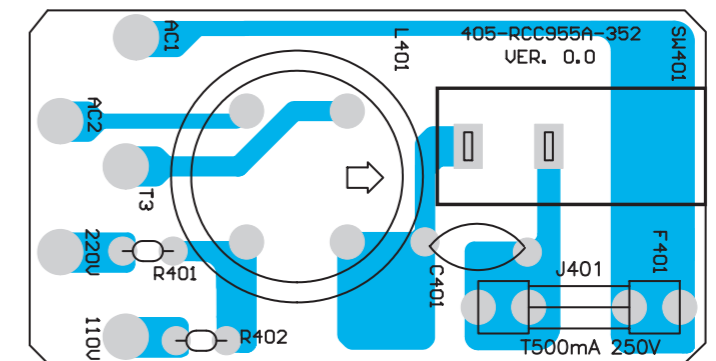
Top View



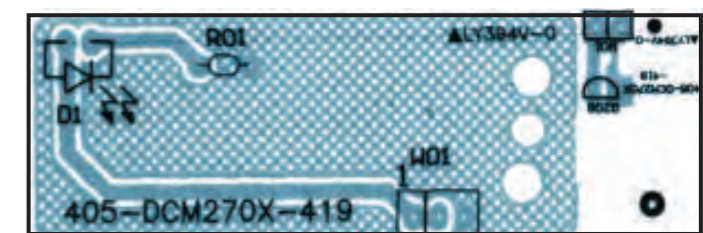
Bottom View



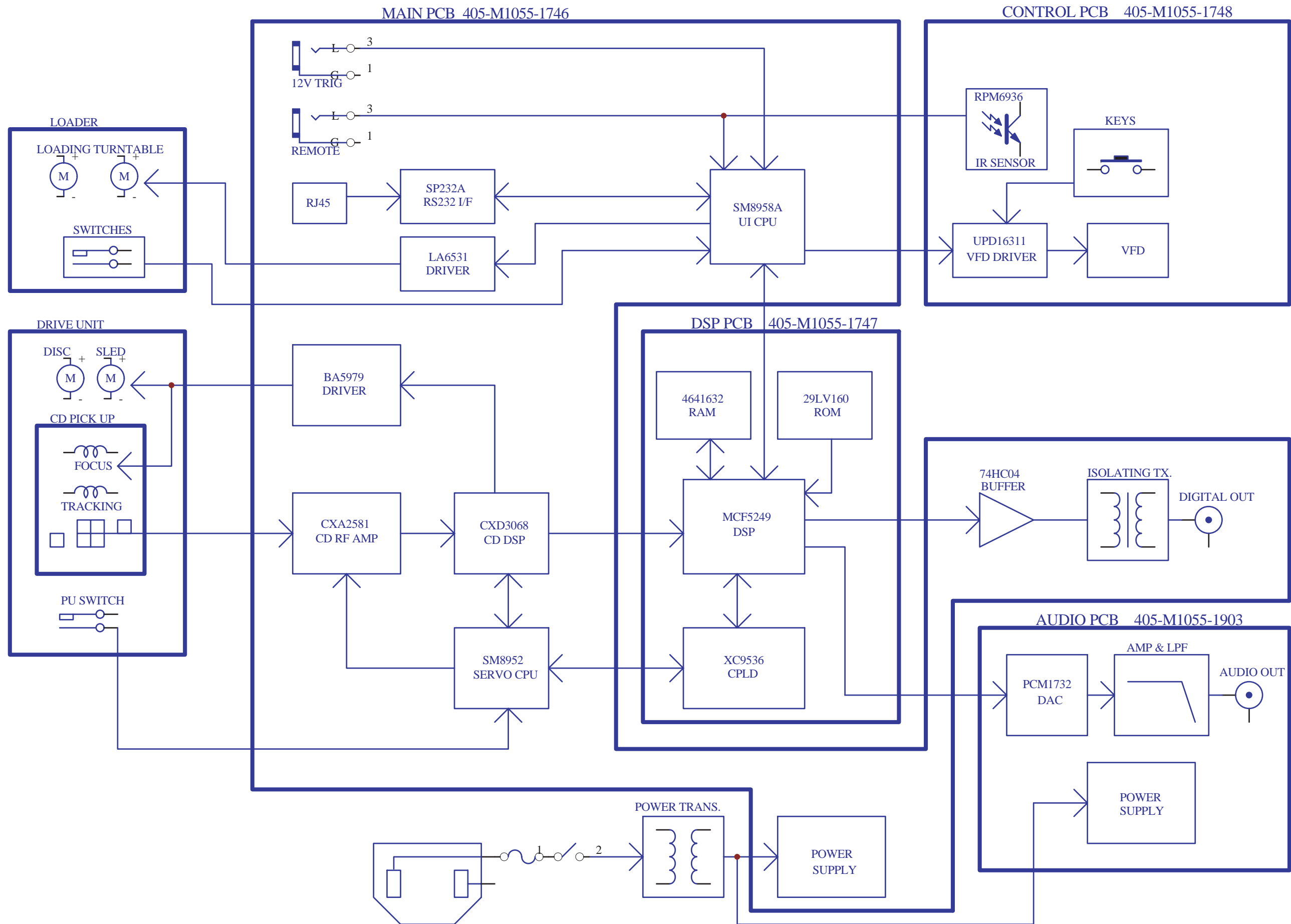
POWER PCB 405-RCC955A-352



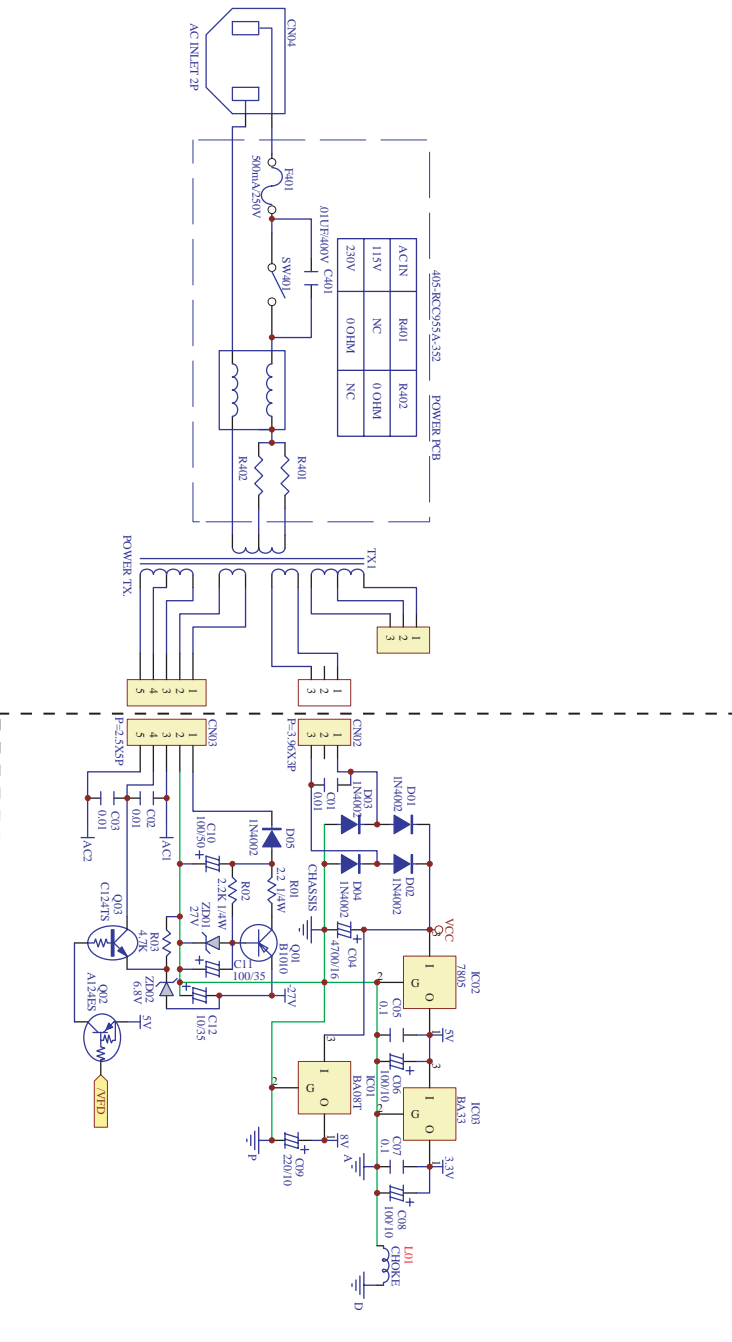
IR EMMITTING PCB 405-DCM270X-419



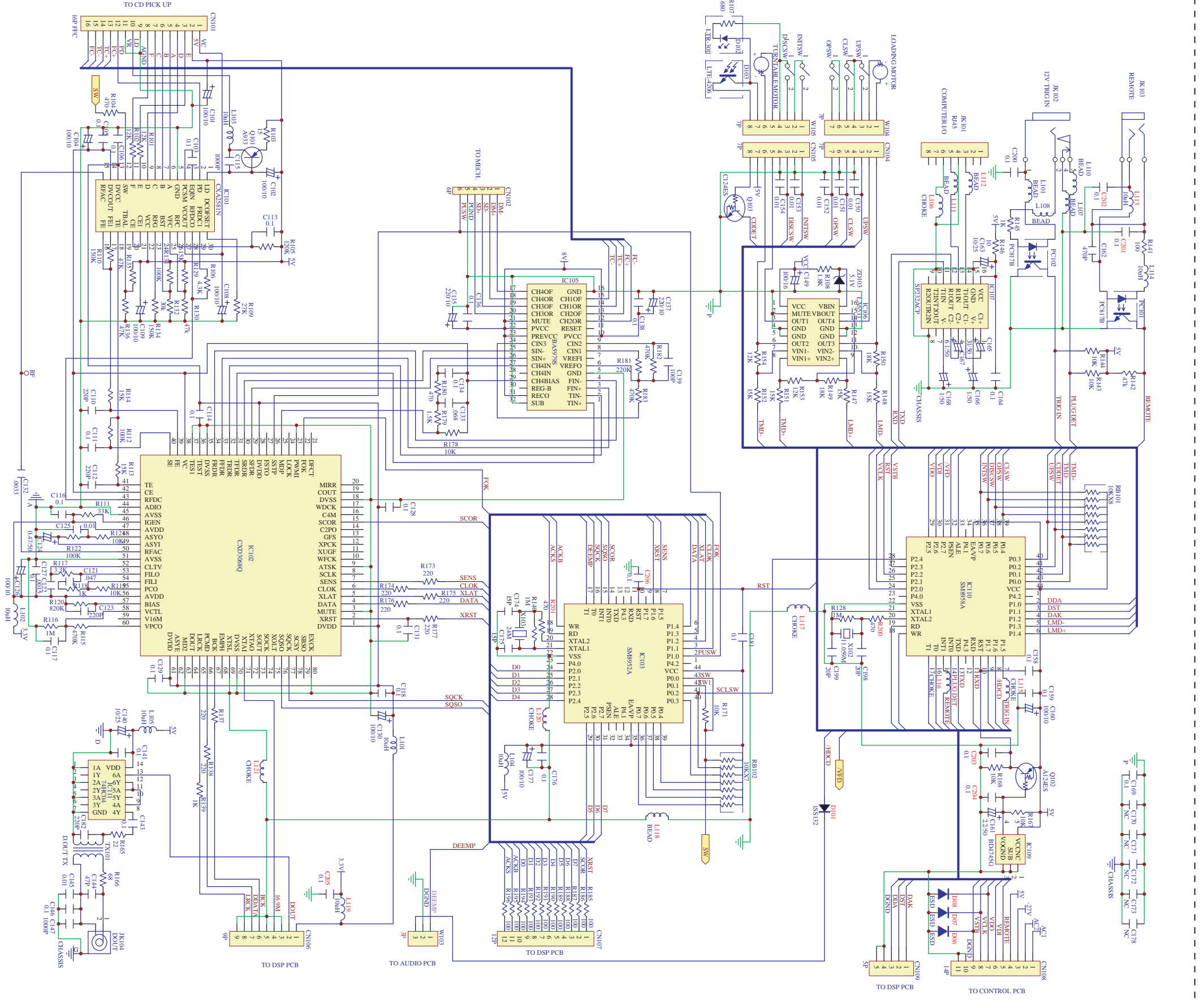
Block Diagram



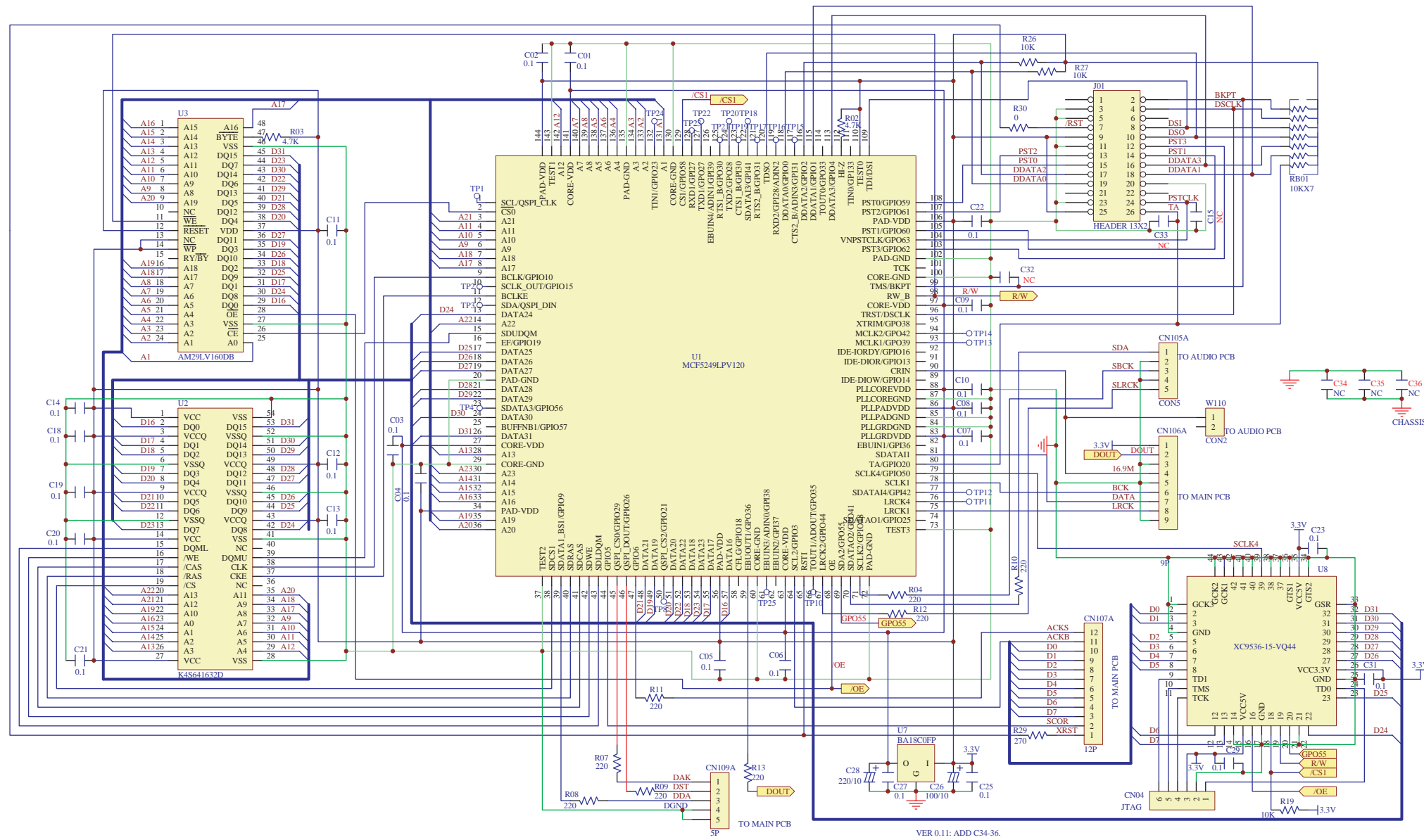
POWER PCB 405-RCC955A-352



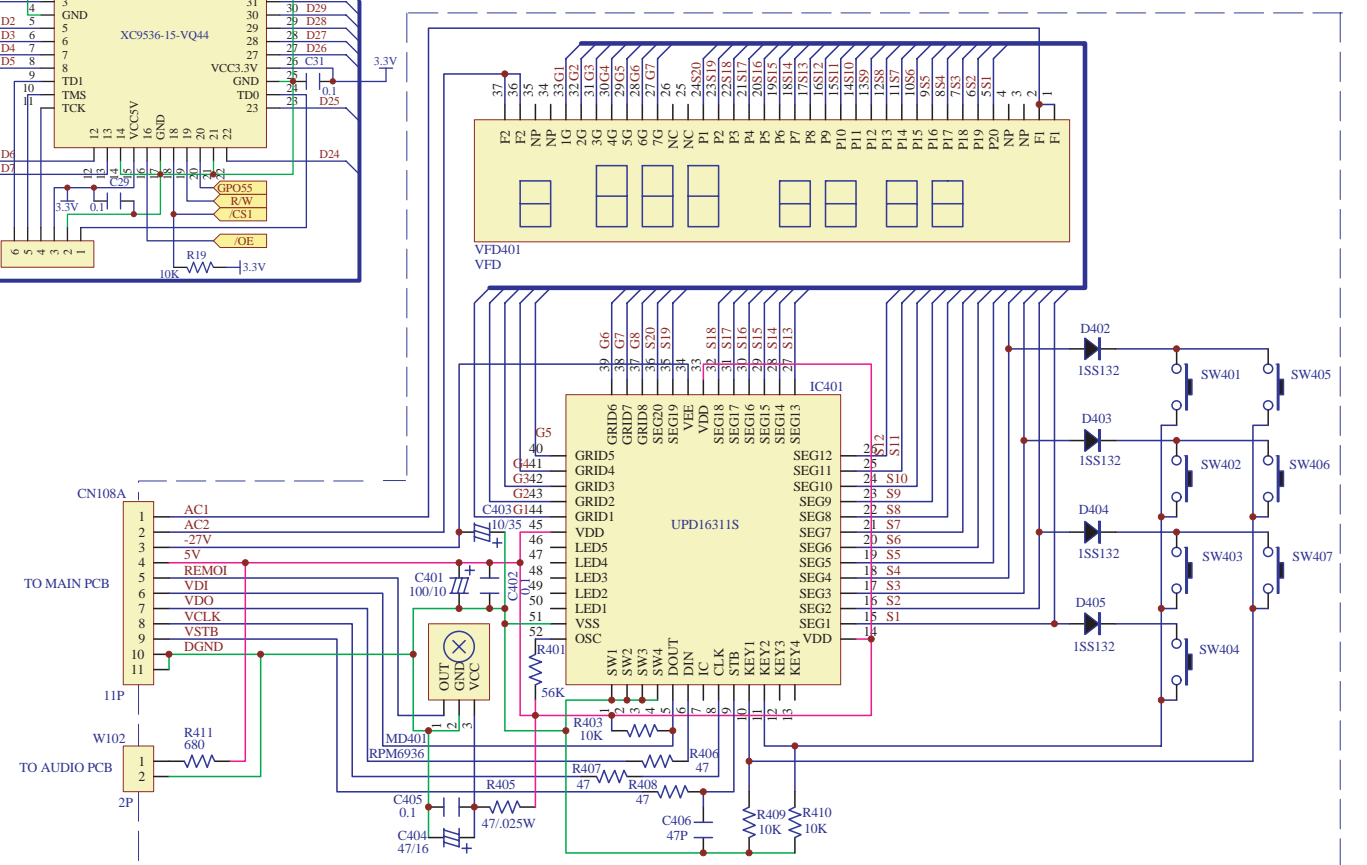
SERVO PCB 405-M1055-1746



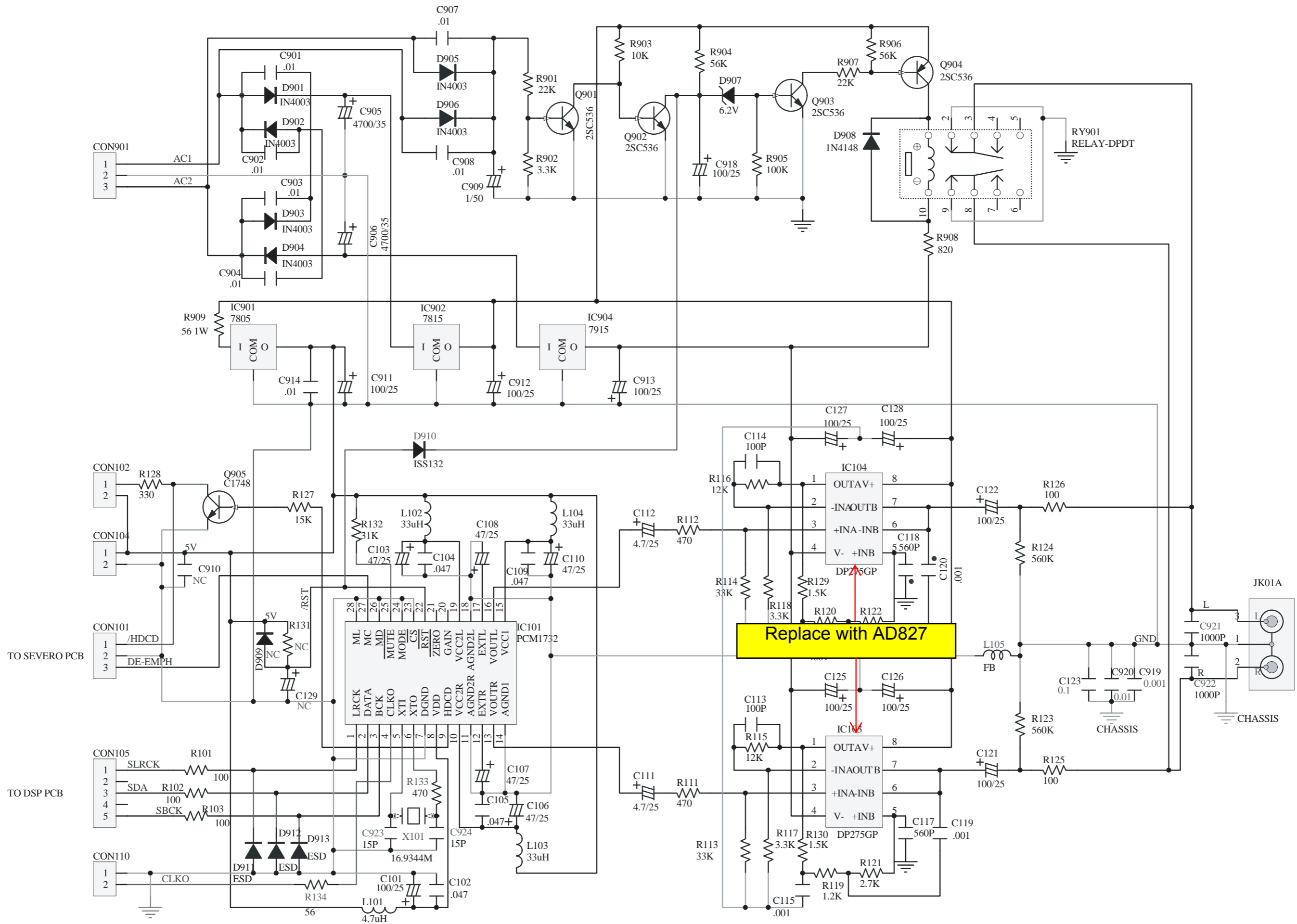
DSP PCB 405-M1055-1747



CONTROL PCB 405-M1055-1748



AUDIO PCB 405-M1055-1903



Replace with AD827