



Technical Manual

CD PLAYER RCD-1072

Table of Contents

- Specification.....1
- Parts List 2~7
- Wiring Diagram.....8
- Loader DisassemblyDiagram.....9
- PCB Assembly10~11
- Schematic Diagram12

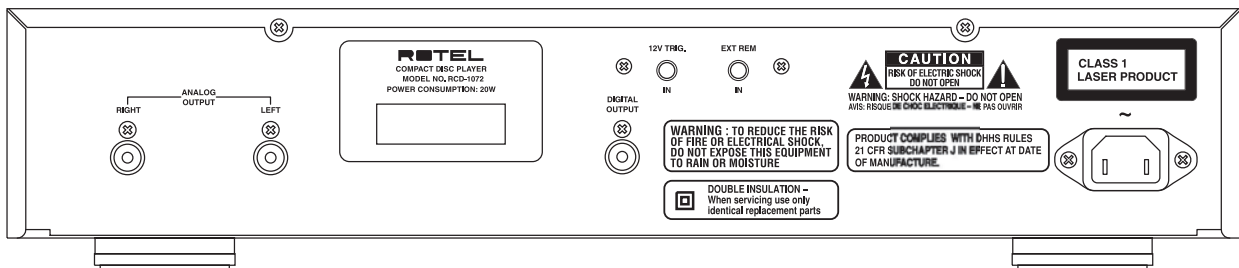
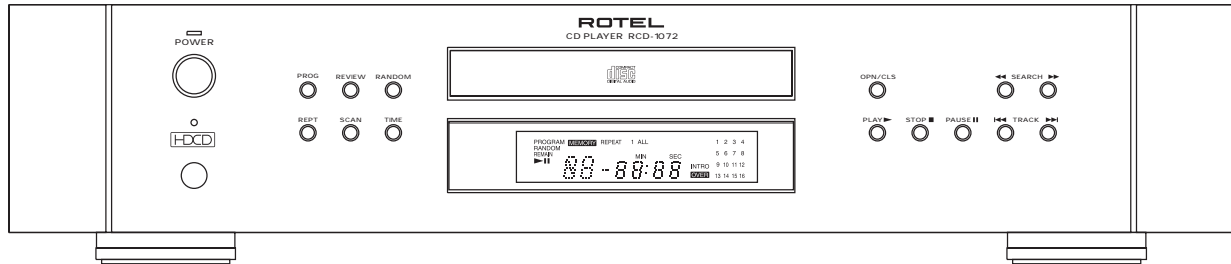
Specifications

Total Harmonic Distortion + Noise	0.0045% @ 1kHz
Intermodulation Distortion	0.0045% @ 1kHz
Frequency Response (± 0.5 dB)	20-20,000 Hz
Channel Balance	± 0.5 dB
Phase Linearity	± 0.5 degree
Channel Separation	> 98 dB @ 1kHz
Signal to Noise Ratio	> 100dB
Dynamic Range	> 96 dB
Digital to Analog Converters	18 bit equivalent, multi-level Delta-Sigma DAC with 8x oversampling digital filter and HDCD
Speed Accuracy, Wow & Flutter	Quartz Crystal Precision
Output Impedance	100 Ohms
Digital Output	0.5 Volt, Peak to Peak
Load Impedance	75 Ohms
Power Requirements	
USA Version	AC 115V, 60 Hz
European Version	AC 230V, 50 Hz
Power Consumption	20 Watts
Dimensions (W, H, D)	17 x 3 ¹¹ / ₁₆ x 13 ¹ / ₄ inches 432 x 93 x 337 mm
Front Panel Height (for rack mount)	3 ⁵ / ₃₂ inches, 80 mm
Weight (net)	5.8 kg, 12.8 lb.

THE ROTEL CO., LTD

SHINSEN-BLD. 4F 10-10 SHINSEN-CHO, SHIBUYA-KU,
TOKYO 150-0045, JAPAN

Serial. NO. Beginning



SYMBOL	PARTS NO.	DESCRIPTION
	016 E-1344A01 PCB ASSY (EXT. REM. 12V TRIG)	
	501E-1344	PCB ASSY -V02
U451,461	031 PC817B	IC (PHOTO COUPLER)
T451	032 TA608-FG	TRANSISTOR 2SA608KAA-FG
T452	032 TC536-FG	TRANSISTOR 2SC536KAA-FG
D451,452	034 T1N4148-86	DIODE 1N4148TAP-50
C451	041 TUTES1H010-TF	ELECTROLYTIC CAPACITOR 50V1uF
C452	041 TUTES1H2R2-TF	ELECTROLYTIC CAPACITOR 50V2.2uF
R452,454,455	053 CR14-104J-A	CARBON RESISTOR 1/4W 100K
R451,453	053 CR14-223J-A	CARBON RESISTOR 1/4W 22K
R461,462	054 TMF1000	METAL FILM RESISTOR 100
R456	054 TMF1001	METAL FILM RESISTOR 1K
K461	065 YKB21-5103A	3.5Φ MINI JACK
K451	065 YKB21-5111A	3.5Φ MINI JACK
K98	068 B3B-EH	CONNECTOR WAFER
K96	068 B5B-EH	CONNECTOR WAFER
	016 X-1382A01-07 PCB ASSY (MAIN)	
	501X-1382	PCB ASSY
L001	021 TRL-356	LINE CHOKE COIL LF-2217 150uH
L202	021 TRL-377A	DIGITAL OUTPUT COIL
L651,661,662	021 TRL-392	MICRO INDUCTOR 3.3uH
L101,151,152,201,401,601,631	021 TRL-395	MICRO INDUCTOR 4.7uH
X401	023 CSA10.0MHZ	CERAMIC RESONATOR CSA10.0MTZ100
X631	023 HC49U-002	CRYSTAL HC49U16.9344MHZ
U251	031 BA6392FP	IC (MOTOR BTL DRIVE)
U101	031 CXA1821M	IC (RF AMP)
U151	031 CXD2545Q	IC (DSP)
U401	031 CXP82440A-1	IC (CPU) CXP82440A-179Q
U511	031 LB1641	IC (MOTOR DRIVE)
U981	031 NJM7815FA	IC (REGULATOR +15VDC)
U982	031 NJM7915FA	IC (REGULATOR -15VDC)
U701,702	031 OPA2277PA	IC (OPE DUAL)
U601	031 PCM1732U	IC (D/A CONVERTER WITH HDCD)
U901,931,961	031 SI3050J	IC (REGULATOR +5VDC)
U201,631	031 TC74HCU04AP	IC (HEX INVERTER)
T731	032 TA1016-FG	TRANSISTOR 2SA1016KAA-FG
T901,902	032 TA608-FG	TRANSISTOR 2SA608KAA-FG
T101	032 TB764-EF	TRANSISTOR 2SB764AE-EF
T601,903,921-924	032 TC536-FG	TRANSISTOR 2SC536KAA-FG
D901,903,904,921,922,951-954	034 T1N4003-TB	DIODE 1N4003-E
D401,402,731	034 T1N4148-86	DIODE 1N4148TAP-50
D905	034 TRD20JST1	ZENER DIODE 20V (AB2)
D511	034 TRD4.7JST1	ZENER DIODE 4.7V (AB2)
D923	034 TRD6.2JST1	ZENER DIODE 6.2V (AB2)
F001	036 5ST1	FUSE 250VT1A
C631	041 20SG22M+F	ELECTROLYTIC CAPACITOR 20V22uF
C955,956	041 ALC20S1051CD	ELECTROLYTIC CAPACITOR 35V4700uF
C741-744,981,982	041 TEEUFC1E101SB	ELECTROLYTIC CAPACITOR 25V100uF
C601,963,965	041 TEEUFC1E221B	ELECTROLYTIC CAPACITOR 25V220uF
C665,666	041 TEEUFC1H100LB	ELECTROLYTIC CAPACITOR 50V10uF
C717,718	041 TEEUFC1H121B	ELECTROLYTIC CAPACITOR 50V120uF
C931	041 TEEUFC1H1R0B	ELECTROLYTIC CAPACITOR 50V1uF
C667,668	041 TEEUFC1H4R7B	ELECTROLYTIC CAPACITOR 50V4.7uF
C651,661,662	041 TEEUFC1V820B	ELECTROLYTIC CAPACITOR 35V82uF
C404,409	041 TUTES1A101-TF	ELECTROLYTIC CAPACITOR 10V100uF
C402,924	041 TUTES1E101-TF	ELECTROLYTIC CAPACITOR 25V100uF
C923,969	041 TUTES1H010-TF	ELECTROLYTIC CAPACITOR 50V1uF

SYMBOL	PARTS NO.	DESCRIPTION
C910,911	041 TUTES1H100-TF	ELECTROLYTIC CAPACITOR 50V10uF
C405	041 TUTES1H2R2-TF	ELECTROLYTIC CAPACITOR 50V2.2uF
C906	041 TUTES1V101-TF	ELECTROLYTIC CAPACITOR 35V100uF
C251	041 TVX1C102	ELECTROLYTIC CAPACITOR 16V1000uF
C101,107,151,164,908,932	041 TVX1E101	ELECTROLYTIC CAPACITOR 25V100uF
C105,106,201,203,511	041 TVX1E470	ELECTROLYTIC CAPACITOR 25V47uF
C907	041 VX1C332	ELECTROLYTIC CAPACITOR 16V3300uF
C901,903,905,921,922,951-954	043 TC500V103	CERAMIC CAPACITOR 500V0.01uF
C161	043 TC50V101	CERAMIC CAPACITOR 100pF
C102,152,165,169,170,171	043 TC50V103	CERAMIC CAPACITOR 0.01uF
C202,206,252,351,401,403	043 TC50V103	CERAMIC CAPACITOR 0.01uF
C408,509,909,941	043 TC50V103	CERAMIC CAPACITOR 0.01uF
C155,158	043 TC50V471	CERAMIC CAPACITOR 470pF
C109	043 TC50VCH150	CERAMIC CAPACITOR 15pF
C254,258	043 TC50VCH270	CERAMIC CAPACITOR 27pF
C406,407	043 TC50VCH330	CERAMIC CAPACITOR 33pF
C205,207	043 TC50VCH470	CERAMIC CAPACITOR 47pF
C731,732	044 100UPZ103J	POLYPROPYLENE FILM CAPACITOR 100V0.01uF
C001	044 DE1307E472M	SPARK KILLER 4700pF
C633,634	044 FSC160V220H	STYROL CAPACITOR 160V22pF
C707,708,713,714	044 PP400V1000PF	POLYPROPYLENE FILM CAPACITOR 400V1000pF
C701,702	044 PP630V100PF	POLYPROPYLENE FILM CAPACITOR 630V100pF
C711,712	044 PP630V560PF	POLYPROPYLENE FILM CAPACITOR 630V560pF
C108	044 TBF014D0102J	M.P CAPACITOR 63V1000pF
C163	044 TBF014D0103J	M.P CAPACITOR 63V0.01uF
C103,104,153,154,156,257,513	044 TBF014D0104J	M.P CAPACITOR 63V0.1uF
C159,255	044 TBF014D0152J	M.P CAPACITOR 63V1500pF
C157	044 TBF014D0472J	M.P CAPACITOR 63V4700pF
C160,204	044 TBF014D0473J	M.P CAPACITOR 63V0.047uF
C253	044 TBF014D0682J	M.P CAPACITOR 63V6800pF
C167,168	044 TBF074D0105J	M.P CAPACITOR 63V1uF
C256	044 TBF074D0334J	M.P CAPACITOR 63V0.33uF
C162	044 TBF074D0474J	M.P CAPACITOR 63V0.47uF
C602,632,652,663,664	046 T50V473K	CERAMIC CAPACITOR 0.047uF
C959,960,967,987,988	046 T50V473K	CERAMIC CAPACITOR 0.047uF
R601	053 CR14-102J-A	CARBON RESISTOR 1/4 1K
(R902)	053 CR14-102J-A	CARBON RESISTOR 1/4 1K
R904,922,923,927	053 CR14-103J-A	CARBON RESISTOR 1/4 10K
R603,925	053 CR14-104J-A	CARBON RESISTOR 1/4 100K
R907	053 CR14-105J-A	CARBON RESISTOR 1/4 1M
(R902)	053 CR14-222J-A	CARBON RESISTOR 1/4 2.2K
R732,906,921,928	053 CR14-223J-A	CARBON RESISTOR 1/4 22K
R908	053 CR14-224J-A	CARBON RESISTOR 1/4 220K
R602,905	053 CR14-473J-A	CARBON RESISTOR 1/4 47K
R924,926	053 CR14-563J-A	CARBON RESISTOR 1/4 56K
R403-409,411,413-417	053 CR16-103J-A	CARBON RESISTOR 1/6 10K
R402,410,412	053 CR16-104J-A	CARBON RESISTOR 1/6 100K
R256	054 1WS2.2JF	MOF RESISTOR 1WS 2.2R
R511	054 1WS4.7JF	MOF RESISTOR 1WS 4.7R
R423	054 SE8102J	THICK FILM RESISTOR NETWORK 1K
R424	054 SE8104J	THICK FILM RESISTOR NETWORK 100K
R152,168,169	054 TMF1000	METAL FILM RESISTOR 100
R151	054 TMF1001	METAL FILM RESISTOR 1K
R110,158,164,901	054 TMF1002	METAL FILM RESISTOR 10K
R153,155,163	054 TMF1003	METAL FILM RESISTOR 100K
R162	054 TMF1004	METAL FILM RESISTOR 1M
R111	054 TMF10R0	METAL FILM RESISTOR 10
R112	054 TMF12R0	METAL FILM RESISTOR 12
R154,157	054 TMF1502	METAL FILM RESISTOR 15K

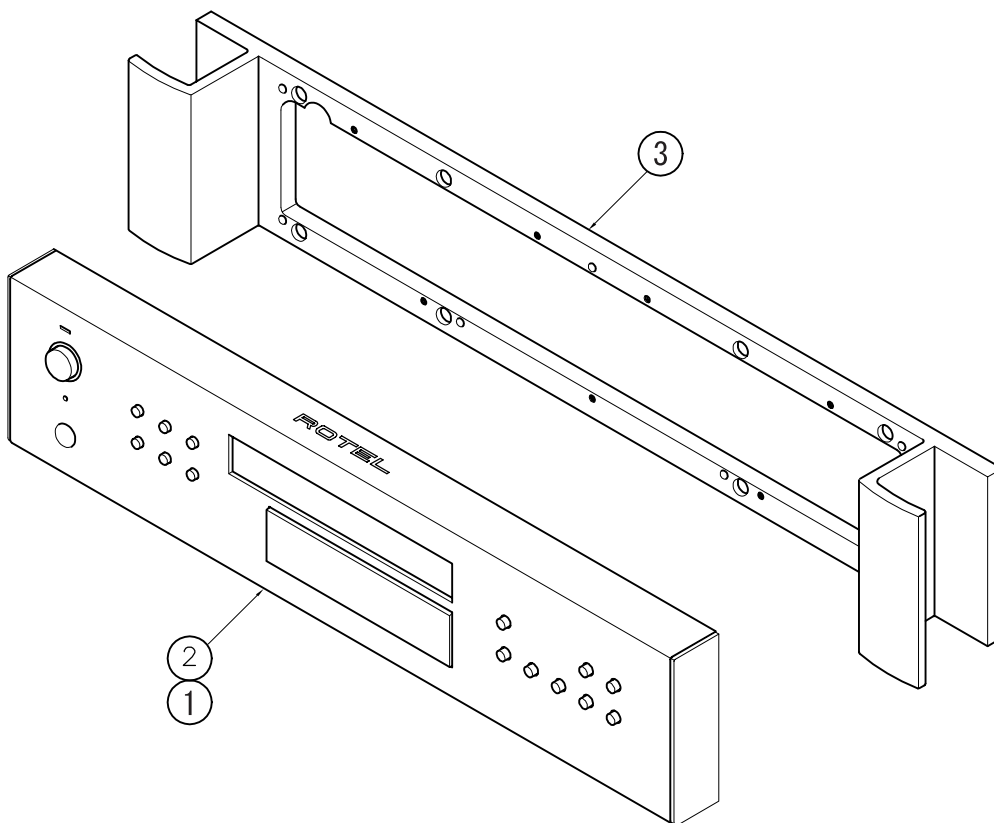
SYMBOL	PARTS NO.	DESCRIPTION
R105,106,252,254	054 TMF1503	METAL FILM RESISTOR 150K
R108,109	054 TMF2202	METAL FILM RESISTOR 22K
R903	054 TMF2203	METAL FILM RESISTOR 220K
R201	054 TMF3300	METAL FILM RESISTOR 330
R159,160	054 TMF3301	METAL FILM RESISTOR 3.3K
R156	054 TMF3302	METAL FILM RESISTOR 33K
R251	054 TMF3903	METAL FILM RESISTOR 390K
R107,425	054 TMF4702	METAL FILM RESISTOR 47K
R255	054 TMF4R70	METAL FILM RESISTOR 4.7
R731	054 TMF8200	METAL FILM RESISTOR 820
R633	054 TMFR4018R	RESISTOR 1/4W 18
R202	054 TMFR4027R	RESISTOR 1/4W 27
R635	054 TMFR4039R	RESISTOR 1/4W 39
R203	054 TMFR4075R	RESISTOR 1/4W 75
R161,165-167	054 TMFR4100R	RESISTOR 1/4W 100
R719,720	054 TRC55Z1000F	METAL RESISTOR 100
R703,704	054 TRC55Z1003F	METAL RESISTOR 100K
R631	054 TRC55Z1004F	METAL RESISTOR 1M
R713,714	054 TRC55Z1201F	METAL RESISTOR 1.2K
R707,708	054 TRC55Z1202F	METAL RESISTOR 12K
R711,712	054 TRC55Z1501F	METAL RESISTOR 1.5K
R715,716	054 TRC55Z2701F	METAL RESISTOR 2.7K
R705,706	054 TRC55Z3301F	METAL RESISTOR 3.3K
R701,702	054 TRC55Z4700F	METAL RESISTOR 470
R717,718	054 TRC55Z5603F	METAL RESISTOR 560K
S001	061 C-4176A08	POWER SWITCH PS3-22SPA-P7AZ TV-8
S731	063 A24W-K	RELAY A24W-K
K201	066 4TR-2487#4	1P PIN JACK (BLK)
K702	066 4TR-2487#7	1P PIN JACK (RED)
K701	066 4TR-2487#8	1P PIN JACK (WHT)
K31	068 16FMN-BTRK	16P CONNECTOR
K22,K23,K25	068 C-3681#1	PCB TERMINAL 2P P5.0 TP WD-01 I-502NA
K11,K13,K14	068 C-4422A01	PCB TERMINAL 2P P10 TP WF-21 I-102NA
K21,K24	068 C-4422A02	PCB TERMINAL 3P P10 TP WF-22 I-103NA
K3	068 TD02SG	2P CONNECTOR WAFER
K4	068 TD03SG	3P CONNECTOR WAFER
	016 X-1383A01-02 PCB ASSY (FRONT)	
	501 X-1383	PCB ASSY
U351	031 SBX3010-52B	IC (REMOTE EYE)
D351	034 TRD6.2JST1	ZENER DIODE 6.2V (AB2)
O351	035 6BT336GNK	FL TUBE
C352	041 TUTES1A101-TF	ELECTROLYTIC CAPACITOR 10V100uF
R301,303	054 TMF1002	METAL FILM RESISTOR 10K
R305,352,353,354	054 TMF1801	METAL FILM RESISTOR 1.8K
R302,304,306	054 TMF2702	METAL FILM RESISTOR 27K
R307	054 TMF3901	METAL FILM RESISTOR 3.9K
R351	054 TMF5601	METAL FILM RESISTOR 5.6K
S301-308,S351-356	061 4TR-3118	KEY BOARD SWITCH
	OTHER	
	011 FP-565-B	BLACK PANEL ASSY
	011 FP-565-S	SILVER PANEL ASSY
	012 RV4-09A00	PUSH BUTTON 14Φ (BLK)
	012 RV4-09A01	PUSH BUTTON 14Φ (SLV)
	012 SK3-05A00	TACT BUTTON 9KEY (BLK)
	012 SK3-05A01	TACT BUTTON 9KEY (SLV)
	012 TN2-08A00	TACT BUTTON 15KEY (BLK)
	012 TN2-08A01	TACT BUTTON 15KEY (SLV)
	014 C-4713A02	UPPER COVER

SYMBOL	PARTS NO.	DESCRIPTION
	014 C-4715A00	SIDE CAP H=80MM (BLK)
	014 FP-488	PLASTIC DOOR (BLK)
	014 FP-488-S	PLASTIC DOOR (SLV)
	015 RP-420	REAR CHASSIS
	019 4TSH-19#2	PLASTIC FOOT 50Φ (BLK)
	069 C-4629A01	AC 2P INLET 6102.3100 (WIRING)
	072 C-4621A01	AC CORD SET AWG16/2C for U.S.A.
	072 C-4622A01	AC CORD SET for AUSTRALIA
	072 C-4623A01	AC CORD SET for U.K
	072 C-4624A01	AC CORD SET for EUROPE
	081 US3-07A00	INSIDE CARTON
	081 US3-08A00	SHIPPING CARTON
	081 Z-204	STYROL MOULDING
	082 OMRCD-1072	OWNER'S MANUAL
	092 RR-D94S	REMOTE UNIT
	192KSL-2130RLM	CD LOADER ASSY

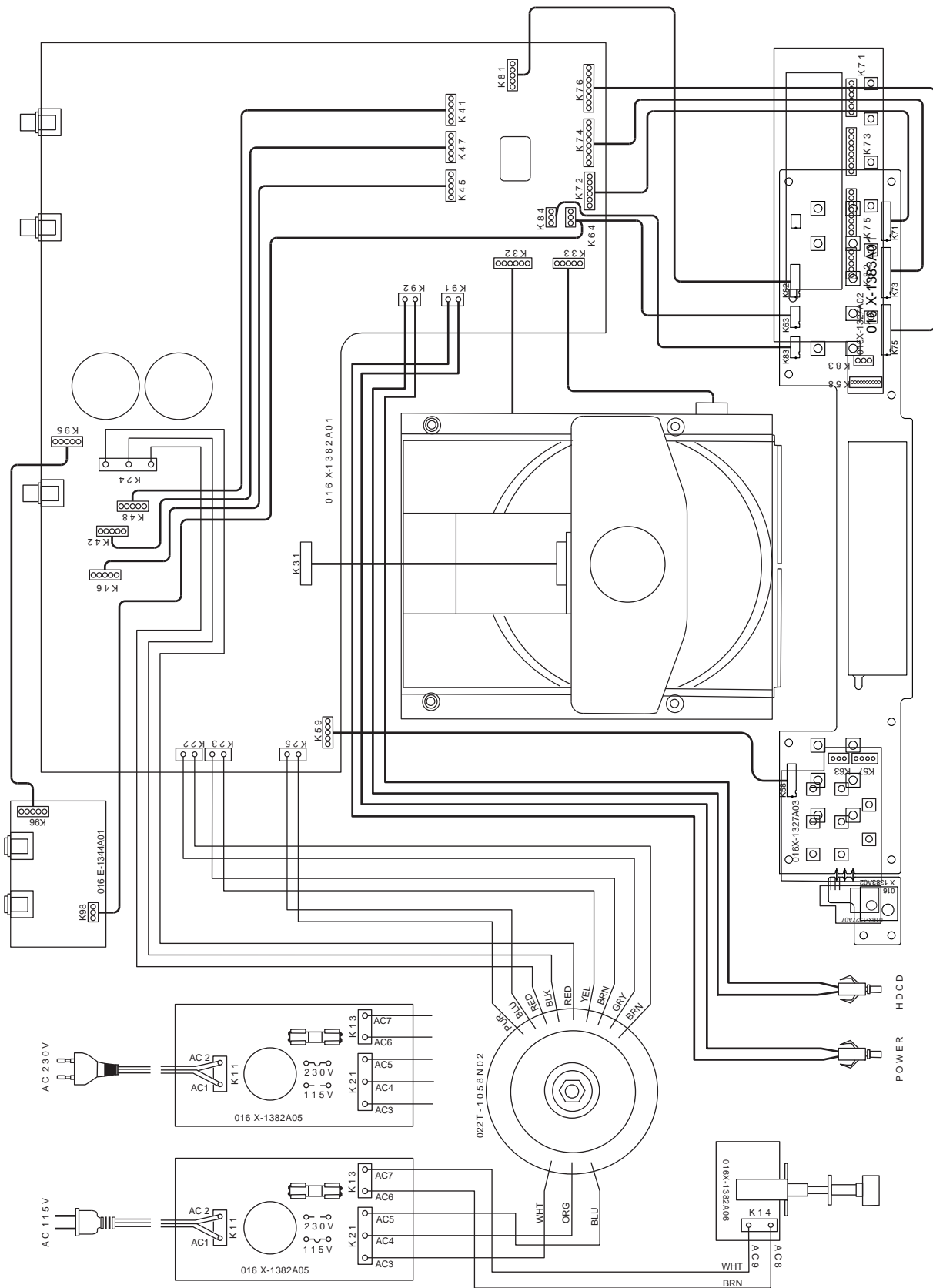
Addendum List for Black and Silver

RCD1072

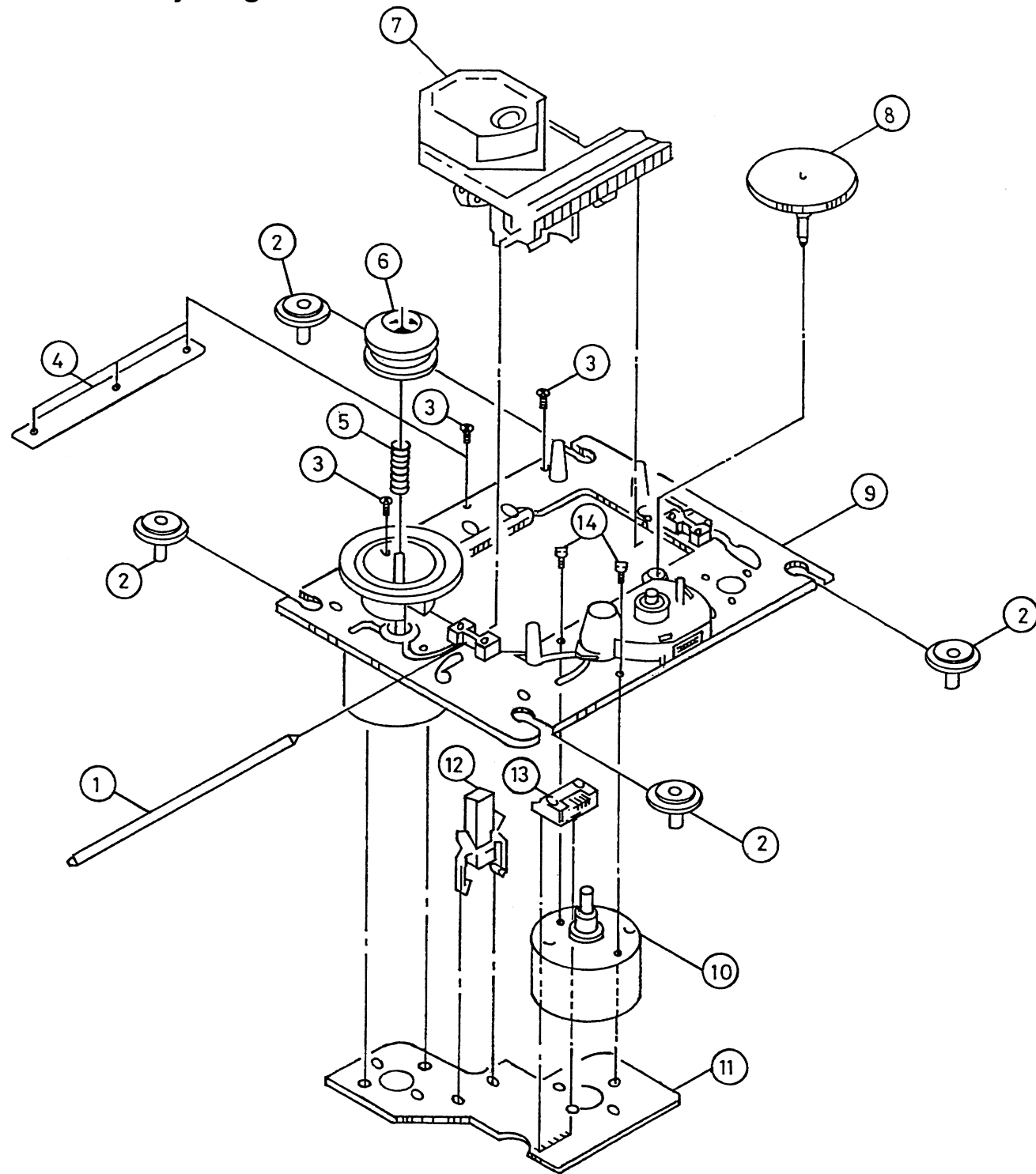
SYMBOL	PARTS	DESCRIPTION
①	506RCD-1072-BK	BLACK PANEL ASSY
②	506RCD-1072-SV	SILVER PANEL ASSY
③	011 TF3-01A00	H/S PANEL H80
	012RV4-09A00	PUSH BUTTON 14F (BLK)
	012RV4-09A01	PUSH BUTTON 14F (SLV)
	012SK3-05A00	TACT BUTTON 9KEY(BLK)
	012SK3-05A01	TACT BUTTON 9KEY(SLV)
	012TN2-08A00	TACT BUTTON 15KEY(BLK)
	012TN2-08A01	TACT BUTTON 15KEY(SLV)
	014FP-488	PLASTIC DOOR (BLK)
	014FP-488-S	PLASTIC DOOR (SLV)
	019C-4714A00	POWER KNOB RING 14F (BLK)
	019C-4714A01	POWER KNOB RING 14F (SLV)
	034SEL1124R	LED (RED) 1X5
	034SEL1E24W	LED (BLU) 1X5



Wiring Diagram

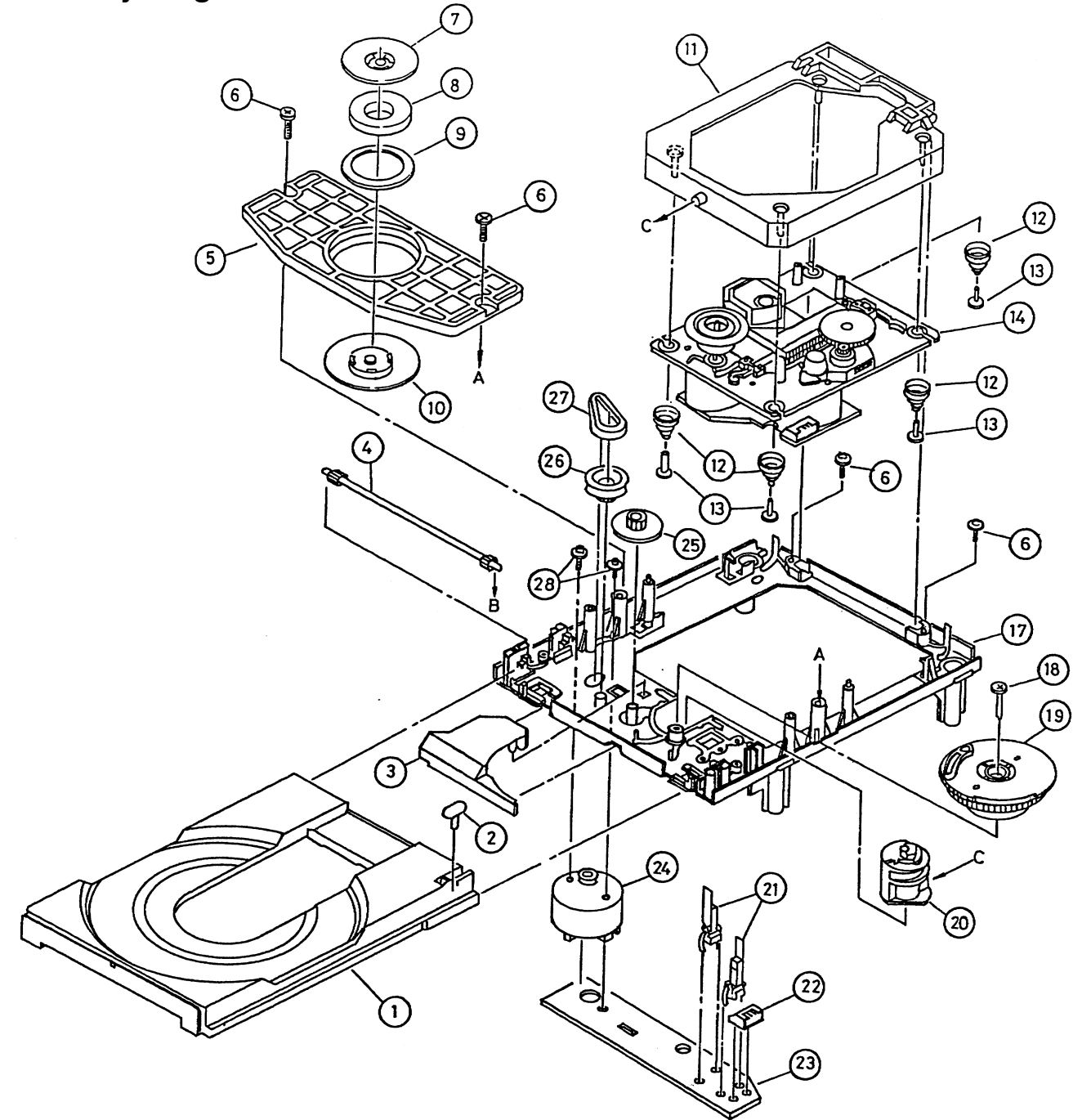


Disassembly Diagram-1

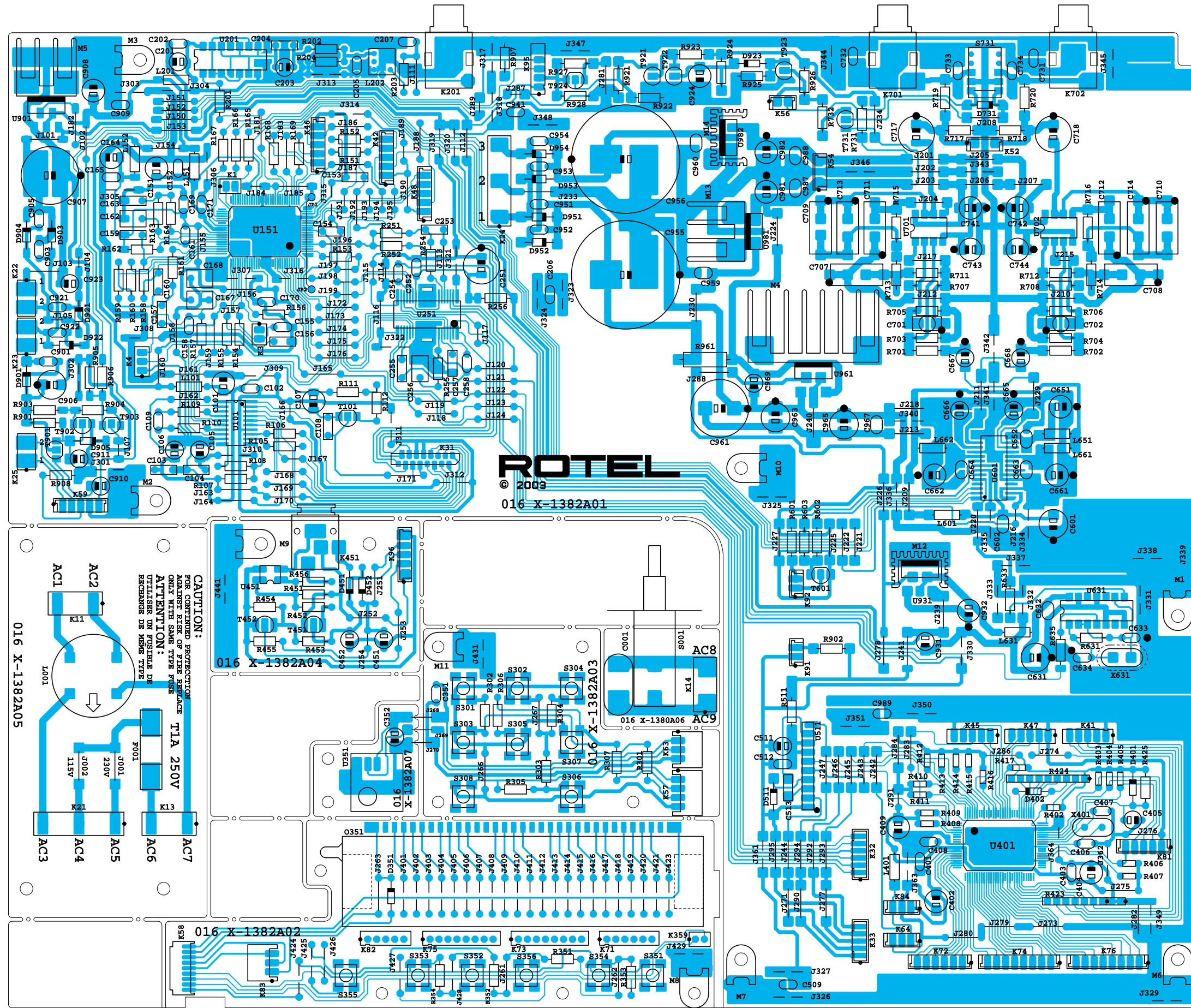


ITEM	DESCRIPTION	SPEC. NO.
1	CHAFT(S). SLED	2-625-464-(01)
2	INSULATOR(S)	2-625-538-(01)
3	SCREW(2X5). TAPPING(S)	2-641-386-(01)
4	REINFORCEMENT(S)	2-625-625-(01)
5	SPRING(S). COMPRESSION	2-626-465-(01)
6	RING(LO)(S). CENTER	2-626-477-(01)
7	PICK UP KSS 213C	
8	GEAR(A)(S)	2-626-462-(01)
9	CHASSIS ASS'Y(MB). TT	X-2625-133-(2)
10	GEARASS'Y(MB). MOTOR	X-2625-132-(1)
11	PC BOARD. MOTOR(6P)(S)	1-639-678-(13)
12	SWITCH LEAF	1-572-085-(12)
13	PIN. CONNECTOR 6P	1-564-722-(11)
14	SCREW+P 2X3	7-621-255-(15)

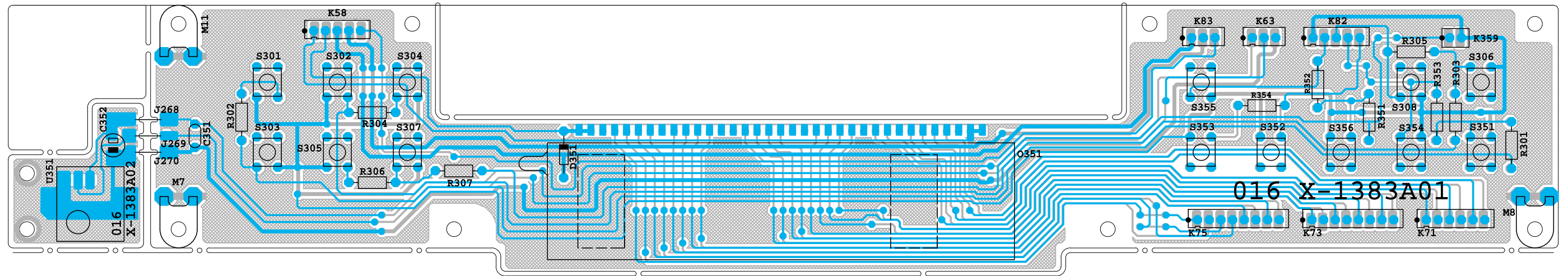
Disassembly Diagram-2



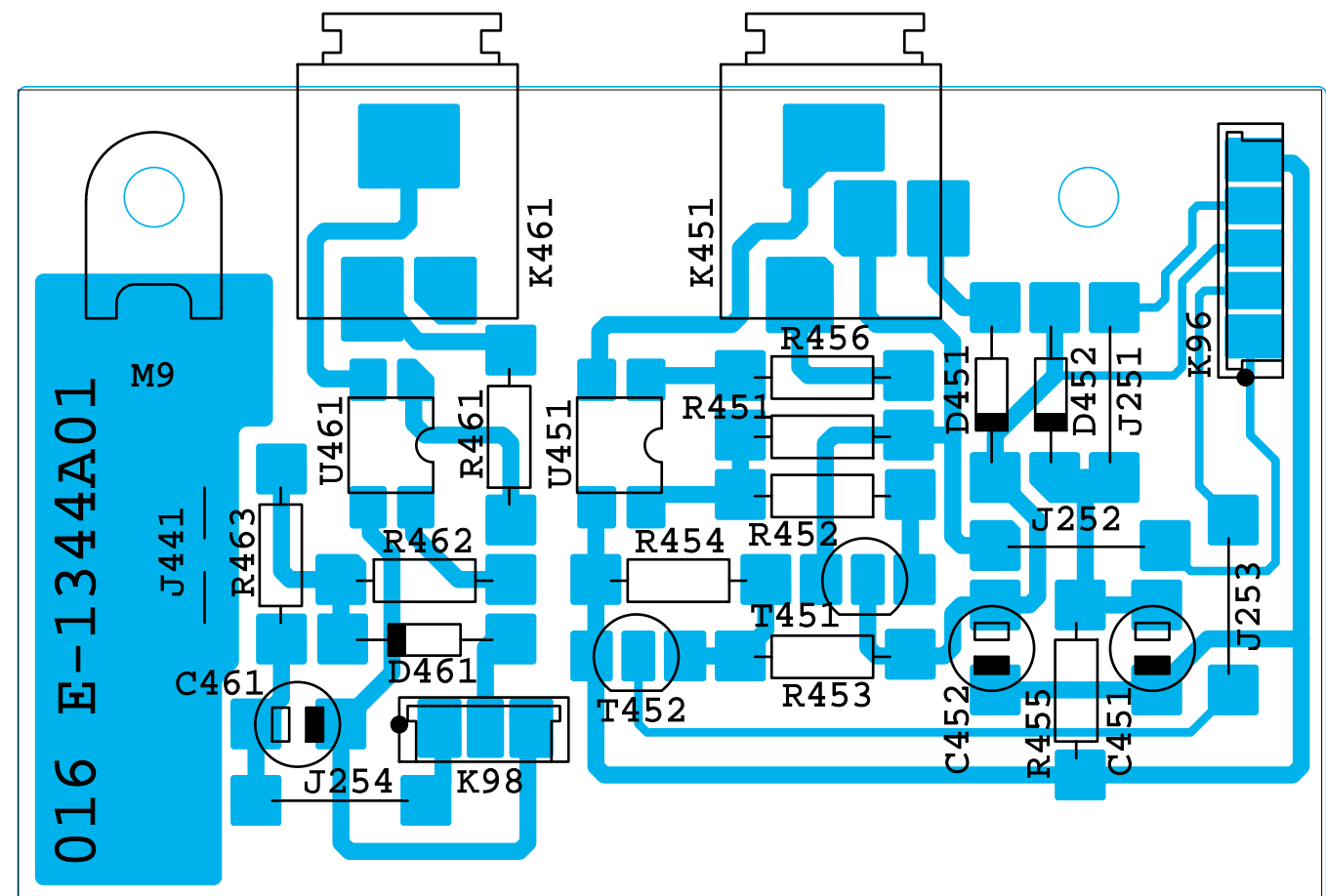
ITEM	DESCRIPTION	SPEC. NO.	ITEM	DESCRIPTION	SPEC. NO.
1	TRAY(S)	2-625-550-(03)	17	CHASSIS(S). OUTSERT MAIN	2-625-552-(06)
2			18	SCREW+P TP WH 2.D6X16	3-319-501-(51)
3	COVER(S). GEAR	2-625-544-(01)	19	GEAR(S). DRIVE	2-625-547-(03)
4	GEAR(S). TRAY	2-625-535-(01)	20	CAM(S). CONTROL	2-625-545-(04)
5	PLATE(S). CHUCKING	2-626-546-(01)	21	SWITCH. LEAF	1-572-086-(11)
6	SCREW+P TP WH 2.D6X7	2-625-537-(01)	22	PIN. CONNECTOR 5P	1-564-721-(11)
7	YOKE(S). CHUCKING	2-625-537-(01)	23	PC BOARD LOADING	1-640-523-(12)
8	MAGNET	1-452-483-(21)	24	MOTOR ASS'Y. LOADING	X-2625-117-(1)
9	DAMPER(S)	2-625-541-(02)	25	GEAR(S). MIDWAY	2-625-534-(02)
10	PULLEY(G). CHUCKING	2-625-548-(02)	26	PULLEY(S). LOADING	2-625-536-(02)
11	CHASSIS ASS'Y(G). SUB	X-2625-227-(2)	27	BELT. LM	3-653-387-(01)
12	SPRING(S)	2-825-539-(01)	28	SCREW+P 2.D6X2.D5	2-625-279-(01)
13	WASHER BASED SCREW	2-625-730-(01)			
14	DRIVE UNIT KSM-213CCM				



Front PCB 016 X-1383A01~02

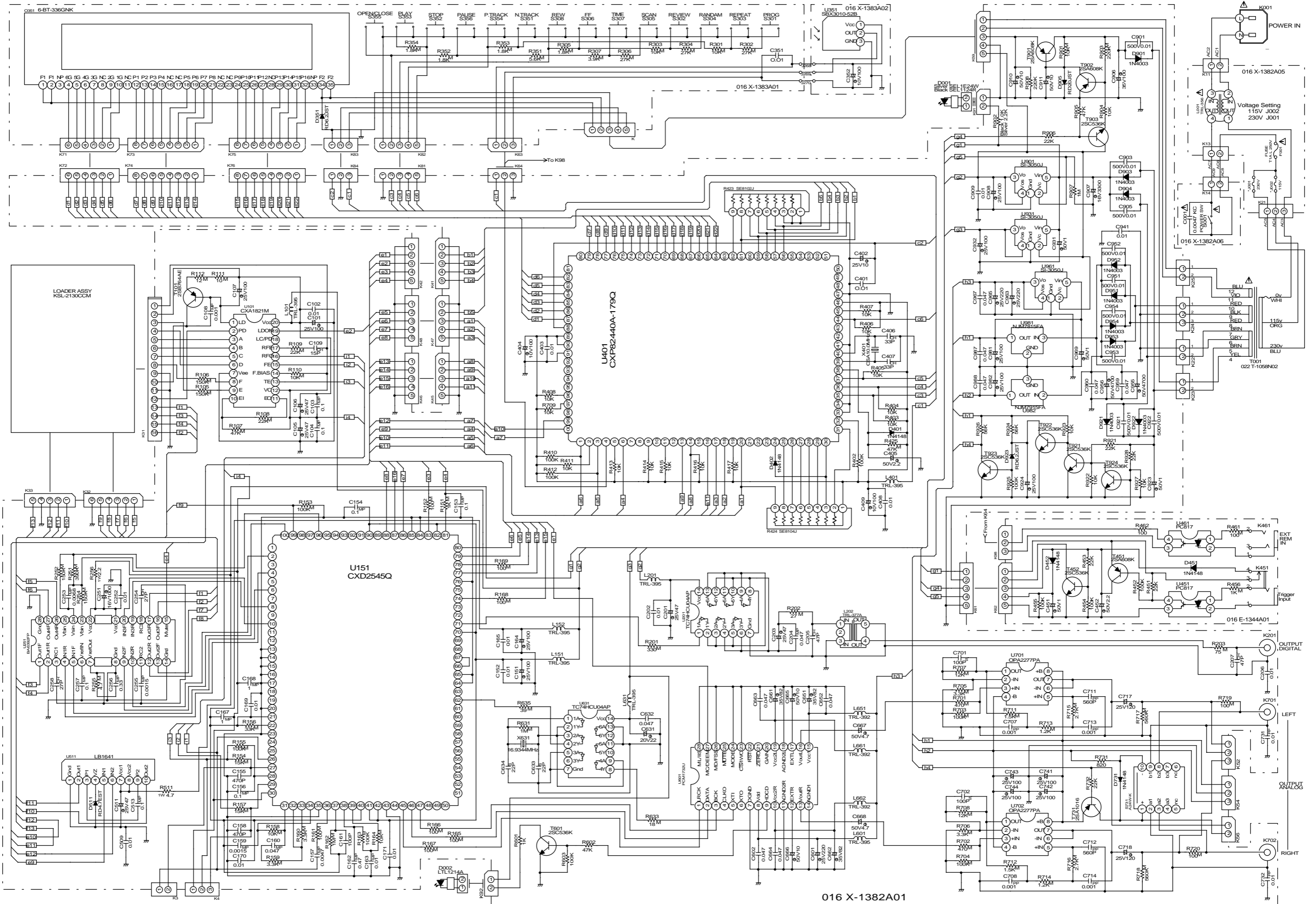


EXT REM, 12V TRIG PCB 016 E-1344A01



Schematic Diagram

RCD-1072



016 X-1382A01

2003-04-17