

# TECHNICAL MANUAL

---

## ROTEL RCD-855

COMPACT DISC PLAYER

### TABLE OF CONTENTS

Safety Caution.....	1
Chassis Layout .....	1
PC Board Ass'y Parts List.....	2
Wiring Diagram.....	4
Printed Circuit Boards.....	5
Schematic Diagram.....	10
Disassembly Diagram.....	16

**THE ROTEL CO., LTD.**

1-36-8 OHOKAYAMA, MEGURO-KU, TOKYO 152, JAPAN

**ROTEL ELECTRONICS CO., LTD.**

ROTEL BLDG., 3F. NO. 35, FUSING N. ROAD, TAIPEI, TAIWAN, REPUBLIC OF CHINA

MN20001720

# PROTECTION OF EYES FROM LASER BEAM DURING SERVICING

THIS SET EMPLOYS A LASER. THEREFORE, BE SURE TO FOLLOW CAREFULLY THE INSTRUCTIONS BELOW WHEN SERVICING.

## WARNING!!

WHEN SERVICING, DO NOT APPROACH THE LASER EXIT WITH THE EYE TOO CLOSELY. IN CASE IT IS NECESSARY TO CONFIRM LASER BEAM EMISSION, BE SURE TO OBSERVE FROM A DISTANCE OF MORE THAN 30cm FROM THE SURFACE OF THE OBJECTIVE LENS ON THE OPTICAL PICK-UP BLOCK.

## LASER WARNING LABEL

THE LABEL SHOWN BELOW ARE AFFIXED.

WARNING LABEL

M

Tel  
I

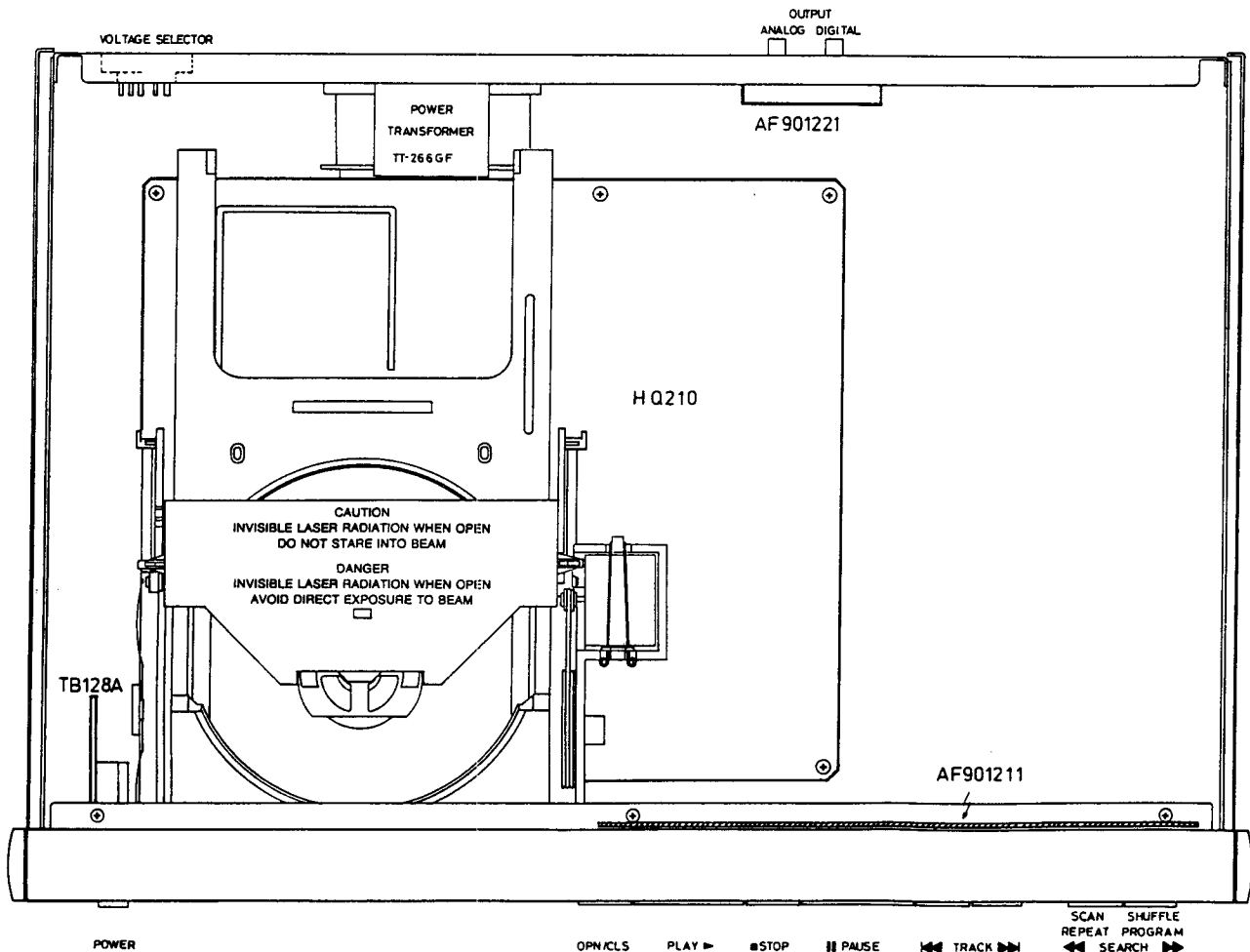
### CAUTION

INVISIBLE LASER RADIATION WHEN OPEN  
DO NOT STARE INTO BEAM

### DANGER

INVISIBLE LASER RADIATION WHEN OPEN  
AVOID DIRECT EXPOSURE TO BEAM

## Chassis Layout



# Parts List

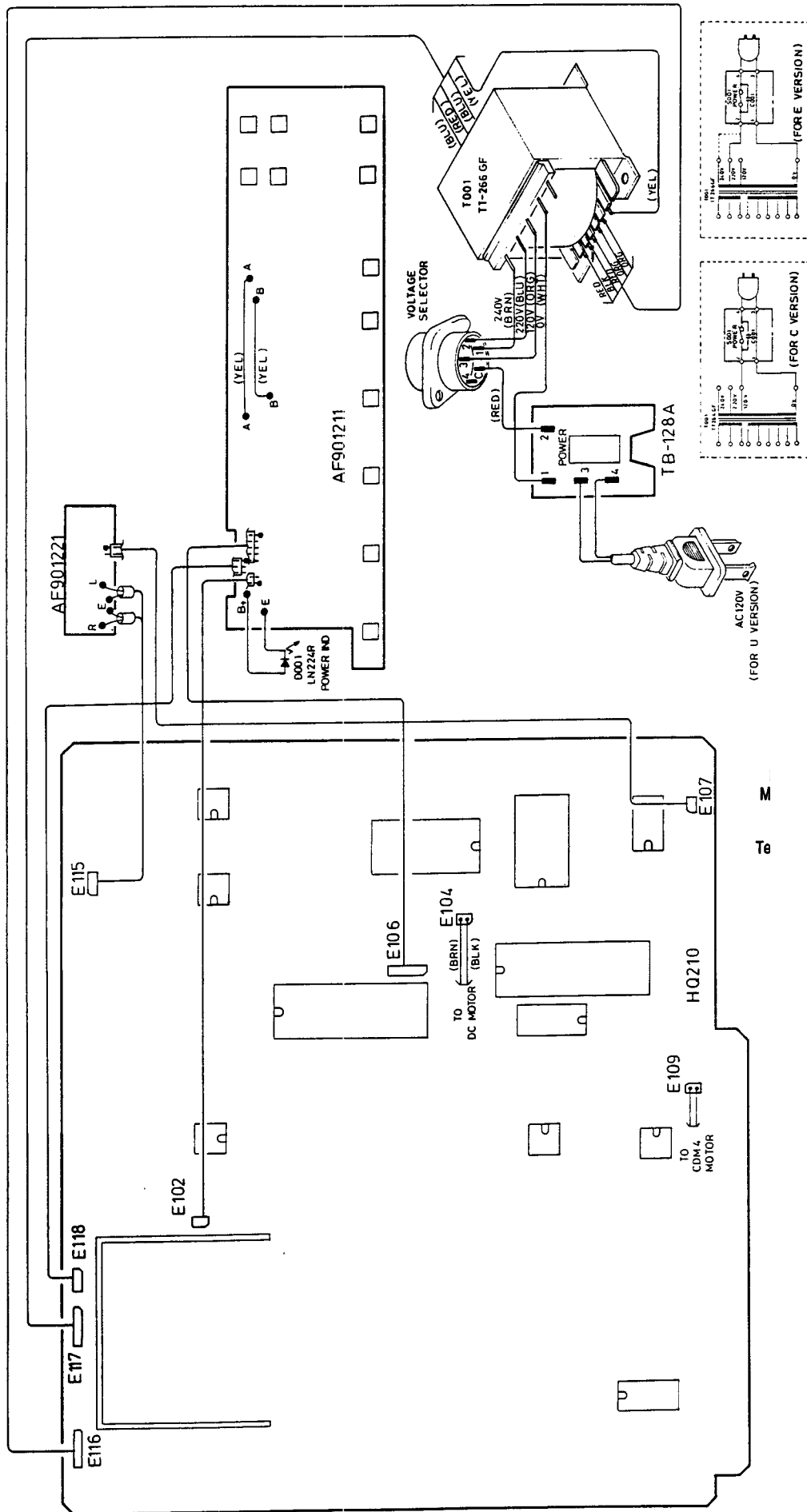
NOTE: THE COMPONENTS INDENTIFIED BY  $\Delta$  MARK ARE FOR SAFETY. REPLACE ONLY WITH ORIGINAL PARTS. DO NOT SUBSTITUTE.

SYMBOL	PARTS NO.	DESCRIPTION	SYMBOL	PARTS NO.	DESCRIPTION
	AF901211	PCB ASSEMBLY			OTHERS
R105	RD21503826	R,CARBON 150K J 1/4W	AF50000017		FRONT CHASSIS 2TSF-3A
R106	RD24701829	R,CARBON 4.7K J 1/4W	AM00001719		CHASSIS BODY 2TSF-2F
R107,108	RD21001821	R,CARBON 1K J 1/4W	AR50000010		PRINTED REAR CHASSIS TRP-511
R109	RD24701829	R,CARBON 4.7K J 1/4W	DI00000103		COMPACT DISC MONOKIT HQ210
R110	RD24700825	R,CARBON 470 J 1/4W	PT26607105		POWER TRANSFORMER TT-266GF $\Delta$
R111,112	RD22202822	R,CARBON 22K J 1/4W	FT00000138		RUBBER FOOT 4TR-2274 40Fx8
R113	RD24702822	R,CARBON 47K J 1/4W	SR00001060		PIN JACK SPACER 4TR-2654
R114	RD21002825	R,CARBON 10K J 1/4W	CD00000218		AC CORD SPT-2 AWG#18 $\Delta$
R115	RD24701829	R,CARBON 4.7K J 1/4W			4TR-670#4 (C,U,A H1,2,3,4)
R116,117	RD23308826	R,CARBON 3.3 J 1/4W	CD00000048		AC POWER CORD 4TR-815 $\Delta$
					(H5,6,E,K2)
R118	RD22202822	R,CARBON 22K J 1/4W	CD00000085		AC POWER CORD C-2504A $\Delta$
D101	DD20000193	DIODE RD-15E			(K1)
D102-106	DD10000100	DIODE 1N4148	CD00000115		AC POWER CORD C-3763-T $\Delta$
D107	IC00002030	REMOTE RECEIVER SBX1610-02			(G)
C101	CC02009458	CAP,CERAMIC 0.02uF 50V	VC00000048		VOLTAGE SELECTOR C-4304A01
					(U,H1,2,4,5,6,E1) $\Delta$
C102	CE02206508	CAP,ELEC. 22uF 50V	SC00000131		AC CORD STOPPER SR-5N-4
C103	CC02011430	CAP,CERAMIC 200P 50V			(K1,A) $\Delta$
IC101	IC00002272	IC TMS-3763CNL	SC00000027		AC CORD STOPPER SR-4N-4 $\Delta$
Q101,102	TR30000327	TRANSISTOR 2SC536	AA50000028		FRONT PANEL 2TSF-1#1 TFP-549
E101	DD40001040	FL TUBE ODI 6-MT-119G	BU00000876		PUSH RING 4TSF-6
SK1-12	SH60000240	KEY BOARD SW 9.5MM	BU00000992		TACT BUTTON RING 4TSF-15
		4TR-2343 SKHHAN			6 KEY
	SP10005887	FL TUBE PLASTIC SUPPORT	KB20002530		PUSH BUTTON 4TSF-5 5x19
		4TSF-11	KB20002577		TACT BUTTON 4TSF-14
					11.5x159
	AF901221	PCB ASSEMBLY	OM10000085		ORNAMENTAL SIDE PLATE 3TTF-6
			OM10000851		ALUMINUM DOOR 4TSF-7#1
	JP01000050	1P PIN JACK 4TR-2487			TRP-550
	JP02000181	2P PIN JACK 4TR-2166#3	OM10000875		FUNCTION PVC PLATE 4TSF-12
	SP10005437	P.C.B SUPPORT 4TTU-13			TFP-552
	TB128A	PCB ASSEMBLY	OM10000991		PLASTIC DOOR 3TSF-13
S001	SH40000120	POWER SWITCH C-3600B-T $\Delta$	AW00000400		PANEL WINDOW 4TR-2655#2
C001	CK00000060	SPARK KILLER DE7100 FZ472P	OM10000863		FL ORNAMENTAL PLATE 4TSF-8
		(C,U,A) $\Delta$			TFP-551
	CK00000035	SPARK KILLER DE7150F472M $\Delta$	BU00000682		POWER BUTTON RING W/LED
					4TR-2177
	TX903113	PCB ASSEMBLY	SR00000870		ORNAMENTAL PLATE SPACER
		(REMOTE CONTROL HANDSET RRT-4)			4TR-2411
R1	RD21002825	R,CARBON 10K J 1/4W	OM70000168		FILTER BOARD 4TSJ-9#2
R2	RD25601820	R,CARBON 5.6K J 1/4W			83x32x2T
R3	RD26809826	R,CARBON 68 J 1/4W	OM70000193		FILTER BOARD 4TSJ-9#3
R5	RD21000828	R,CARBON 100 J 1/4W			22x14x2T
C1	CE01005064	CAP,ELEC. 100uF 6.3V	AG00000159		REMOTE CONTROL HANDSET RRT-4
D1	DD40000484	INFRARED EMITTING DIODE	AU00000890		UPPER COVER 3TTF-5#4
		LTE4208	KB20001561		PUSH BUTTON 4TR-2176 14x14
IC1	IC00002170	IC SAA3010T	DD40000095		L.E.D LN224R
X1	LF00000336	CERALOCK FILTER CSB429PB	PL00000770		STYROL SIDE MOULDING
Q1	TR30000121	TRANSISTOR 2SC2274			2TTF-9A TZ-165
Q2	TR10000126	TRANSISTOR 2SA608K	TN10003173		INSIDE CARTON 4TR-2377#8
	SE00000084	BATTERY UM3 1.5Vx2			
	SP30000264	BATTERY COVER 4TTJ-3#1			
	TN10003124	COSMETIC CASE 4TTJ-10#9			
	AB00000286	BOTTOM COVER 3TTJ-2#1			
	AU00000853	UPPER COVER 3TTJ-1#1			
	KB20002498	RUBBER BUTTON RRT-4			
		4TTJ-5#8 21 KEY			
	OM10000802	ALUM. BOTTOM PLATE 4TTJ-16			
	LG00000127	BATTERY TERMINAL 4TTJ-9			
	NP00001597	NAME PLATE 4TTJ-12#3			
	OM70000089	FILTER BOARD 4TTJ-4			
	SN00000260	BATTERY SPRING 4TTJ-8			

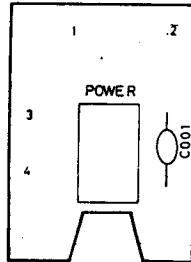
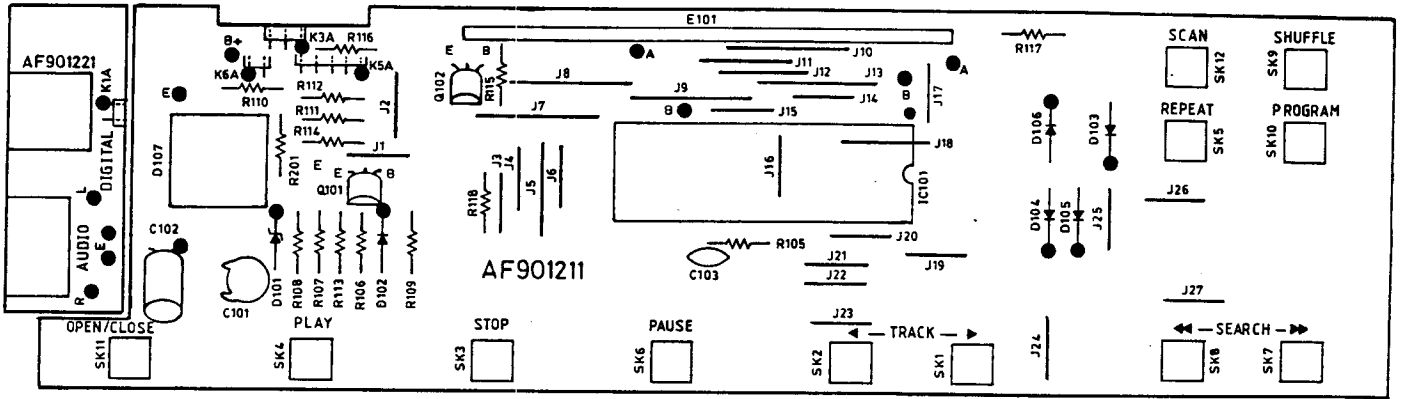
# Parts List

SYMBOL	PARTS NO.	DESCRIPTION	SYMBOL	PARTS NO.	DESCRIPTION
HQ210 PCB					
D101,102	058 40009	ZENERDIODE HZ7C2 (7V5)	U704	088 43033	IC VOL REG 79M05CT
D103	058 40010	DIODE BAT85	X101	052 42002	QUARTZ CRYSTAL 11.2896 MHZ
D104	058 40011	DIODE BA314			
D105,106	058 40012	ZENERDIODE HZ3B2 (3V0)	X102	148 40002	CER RESONATOR 4.0000 MHZ
D107	058 40011	DIODE BA314			
D112-114	058 40002	DIODE 1N4148			
D601	058 40013	ZENERDIODE HZ15-3 (15V)			
D602	058 40004	DIODE 1N4002			
D603	058 40022	ZENERDIODE HZ6C2 (6V2)			
D701-705	058 40004	DIODE 1N4002			
D706	058 40006	ZENERDIODE HZ5B1 (4V7)			
D707-710	058 40004	DIODE 1N4002			
D801	058 40014	ZENERDIODE HZ4B3 (3V9)			
D802	058 40002	DIODE 1N4148			
D803	058 40004	DIODE 1N4002			
D804,805	058 40002	DIODE 1N4148			
D806	058 40004	DIODE 1N4002			
I101	089 31479	COIL LAL04 4.7MUH PM10			
I102	198 40001	DIG OUT TRANSFORMER			
I401,402	089 31471	COIL LAL04 470MUH PM10			
M105	081 40003	HEAT SINK			
M107	179 40001	TACT SWITCH (4.3MM)			
T101	201 40009	TRANS BC338			
T102	201 40012	TRANS BC338-25			
T103	201 40011	TRANS BC328-25			
T104	201 40006	TRANS BF450			
T106	201 40008	TRANS BC558			
T107	201 40007	TRANS BC548			
T108	201 40007	TRANS BC548			
T109,110	201 40008	TRANS BC558			
T111	201 40007	TRANS BC548			
T112	201 40010	TRANS BC328			
T113	201 40009	TRANS BC338			
T114	201 40010	TRANS BC328			
T115	201 40009	TRANS BC338			
T116	201 40007	TRANS BC548			
T117	201 40013	TRANS BC338-40			
T118	201 40009	TRANS BC338			
T401	201 40101	TRANS MPF4859A			
T402	201 40101	TRANS MPF4859A			
T403	201 40013	TRANS BC338-40			
T404	201 40013	TRANS BC338-40			
T405	201 40013	TRANS BC338-40			
T406	201 40013	TRANS BC338-40			
T501	201 40002	TRANS BC558B			
T701	201 40004	TRANS BC328-16			
T702	201 40009	TRANS BC338			
T801	201 40016	TRANS BD135			
T802	201 40002	TRANS BC558B			
T803	201 40001	TRANS BC548B			
T804	201 40001	TRANS BC548B			
U101	088 44010	IC TDA8808T/C3			
U102	088 44011	IC TDA8809T/C2			
U103	088 43048	IC TCA0372 DP2			
U104	088 43038	IC NJM4560D			
U105	088 43038	IC NJM4560D			
U106	088 43005	IC SAA7210P/04			
U107	088 41002	IC UPD41416C-20			
U108	088 44007	IC SAA7220P/B			
U109	088 44003	IC MC68HC05C8/P105			
U110	088 42002	IC 74HCT08P			
U301	088 44008	IC TDA1541A/N2 DUAL DAC.			
U401	088 44006	IC OPAMP NE5532AN			
U402	088 44006	IC OPAMP NE5532AN			
U601	088 43022	IC VOL REG 78M12CT			
U701	088 43023	IC VOL REG 78M15CT			
U702	088 43035	IC VOL REG 79M15CT			
U703	088 43012	IC VOL REG 7805CT (5V2)			

# Wiring Diagram

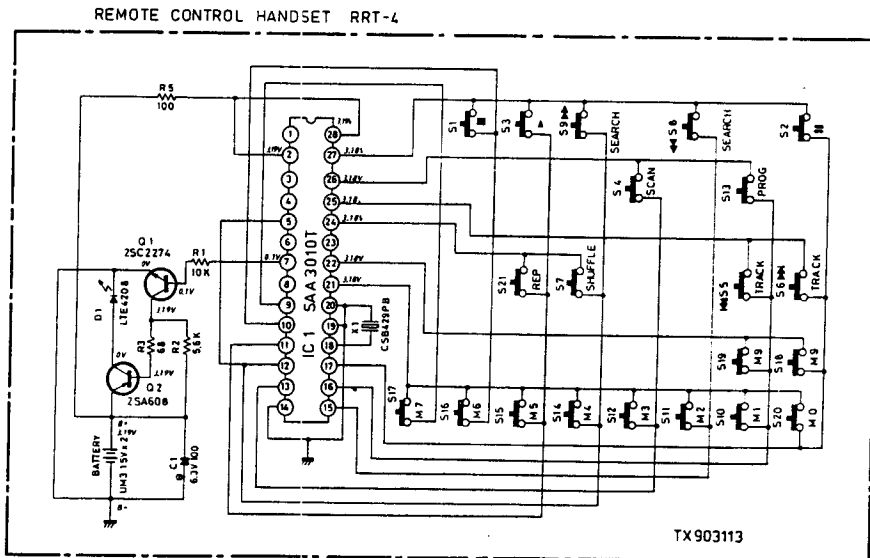


# Printed Circuit Boards



1

## Remote handset

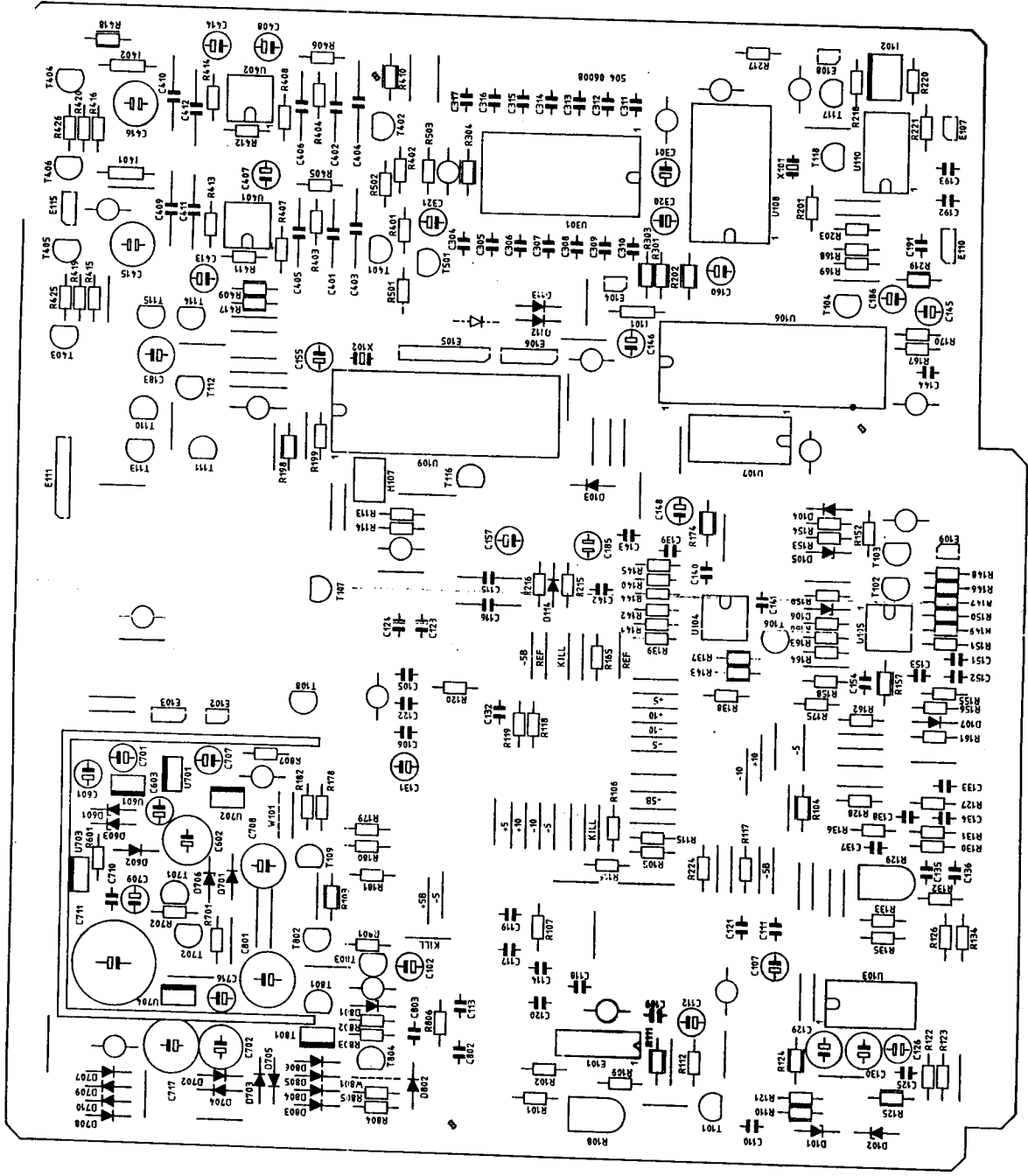


TX903113

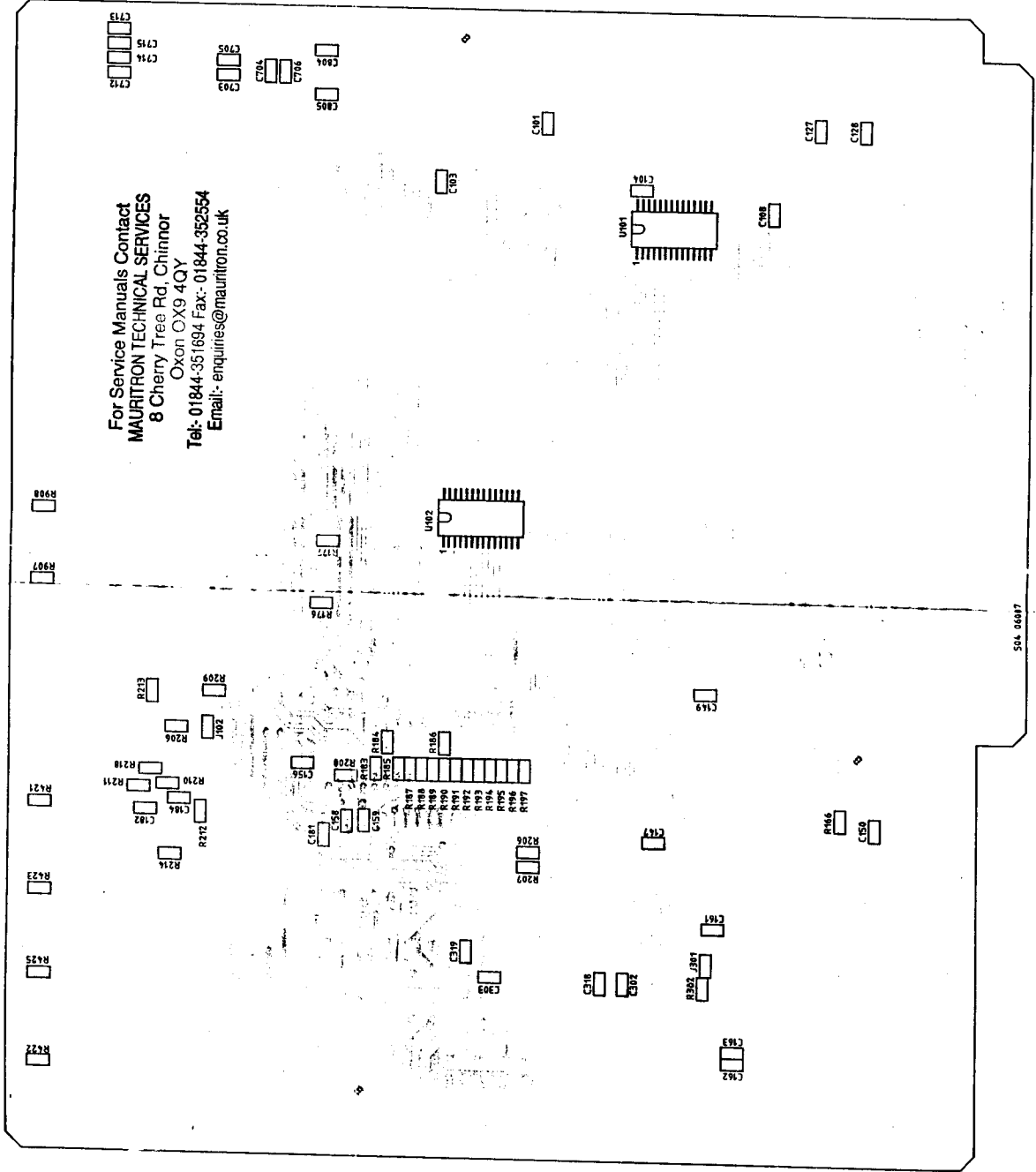
Printed Circuit Boards

Fo  
MALU  
8

Tel:-C  
Eri



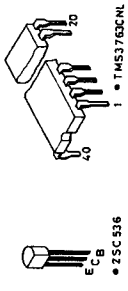
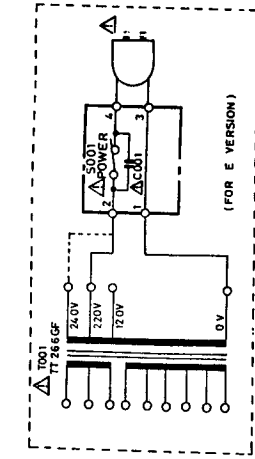
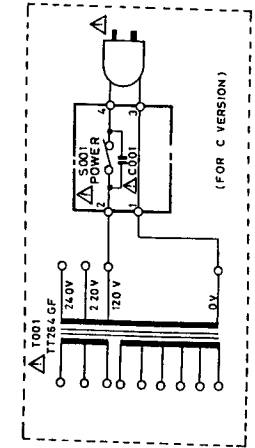
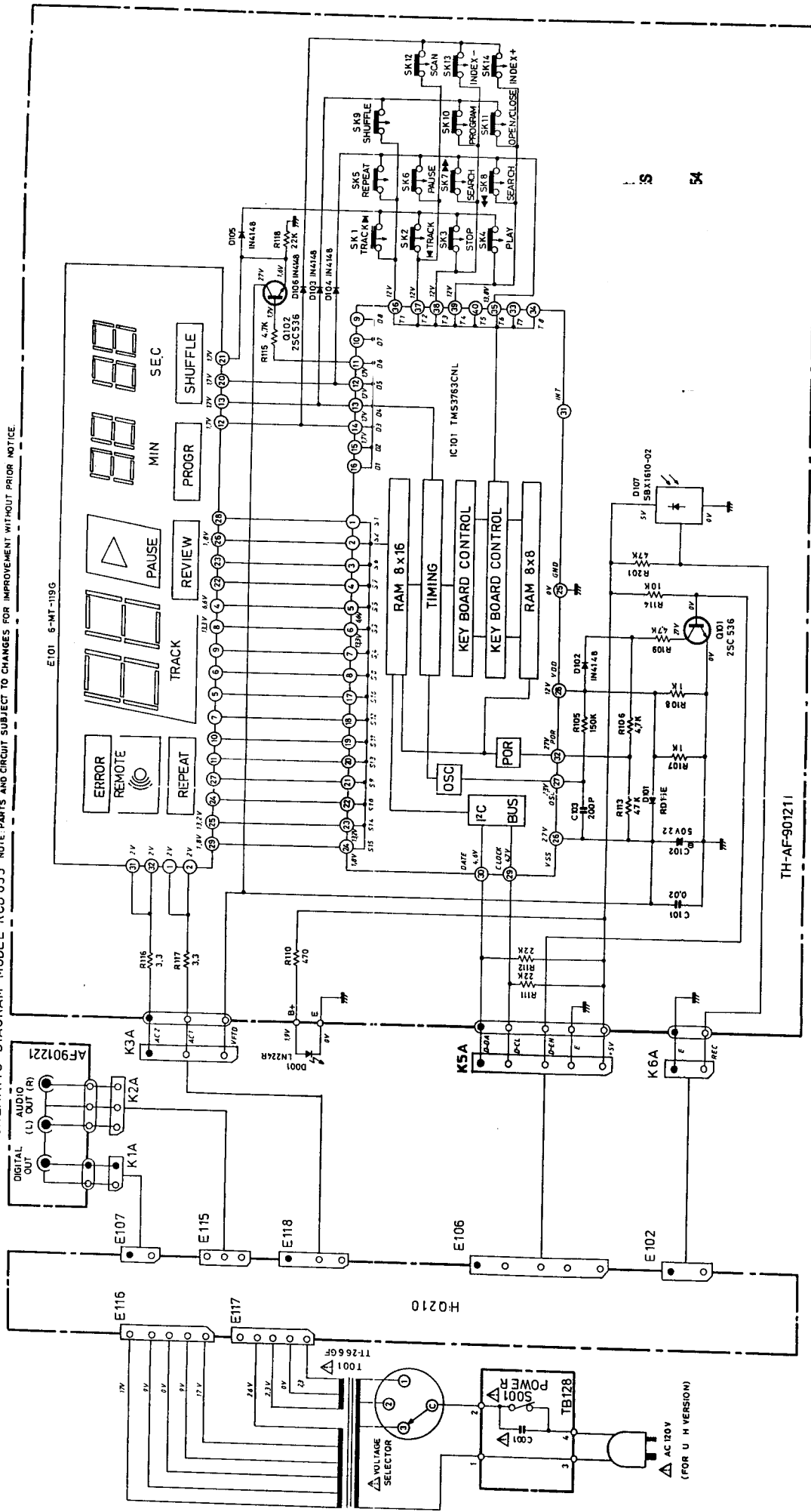
For Service Manuals Contact  
**MAURITRON TECHNICAL SERVICES**  
8 Cherry Tree Rd, Chinnor  
Oxon OX9 4QY  
Tel: 01844-351694 Fax: 01844-352554  
Email: enquiries@mauritron.co.uk





# Schematic Diagram

SCHEMATIC DIAGRAM MODEL RCD 855 NOTE: PARTS AND CIRCUIT SUBJECT TO CHANGES FOR IMPROVEMENT WITHOUT PRIOR NOTICE

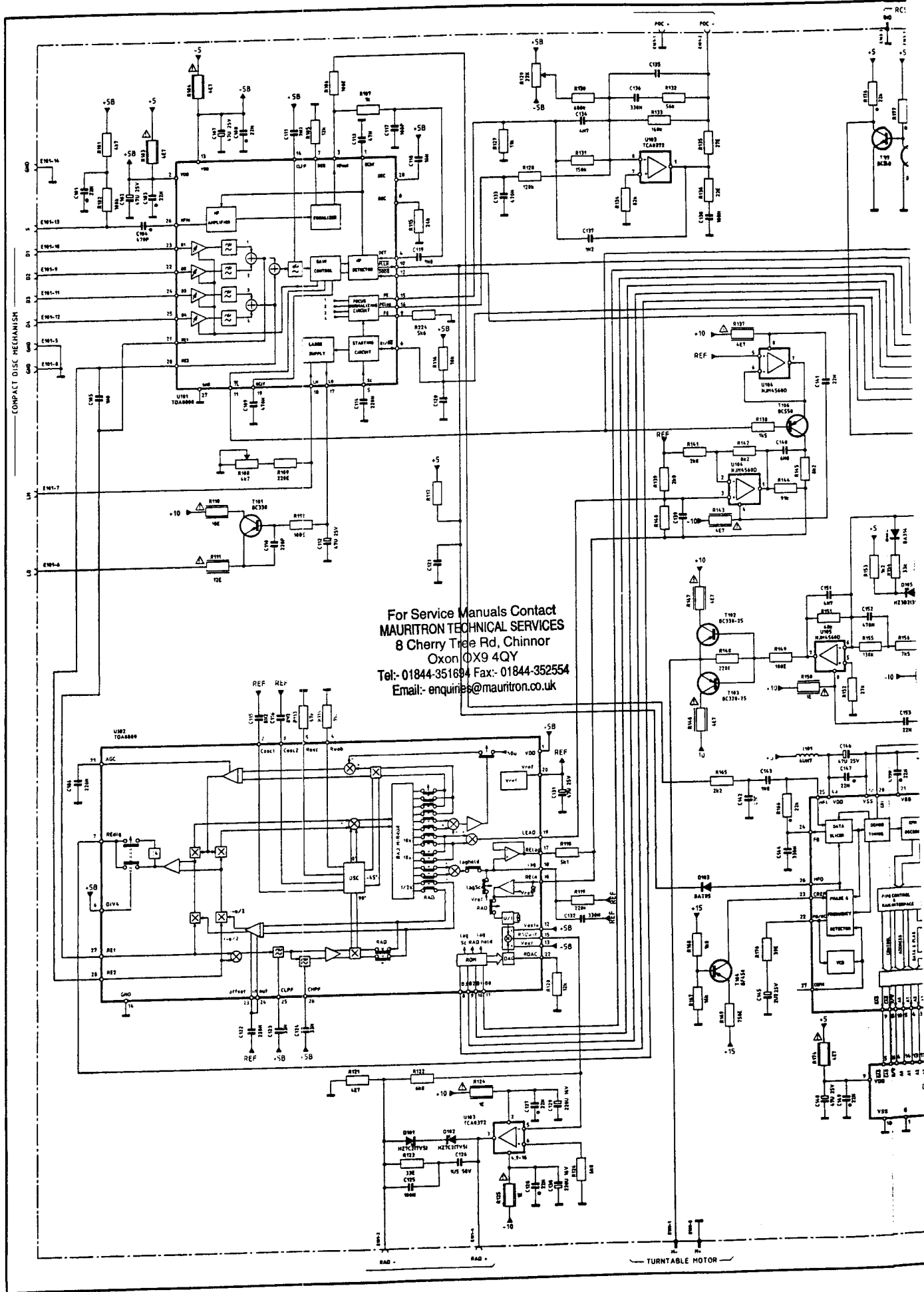


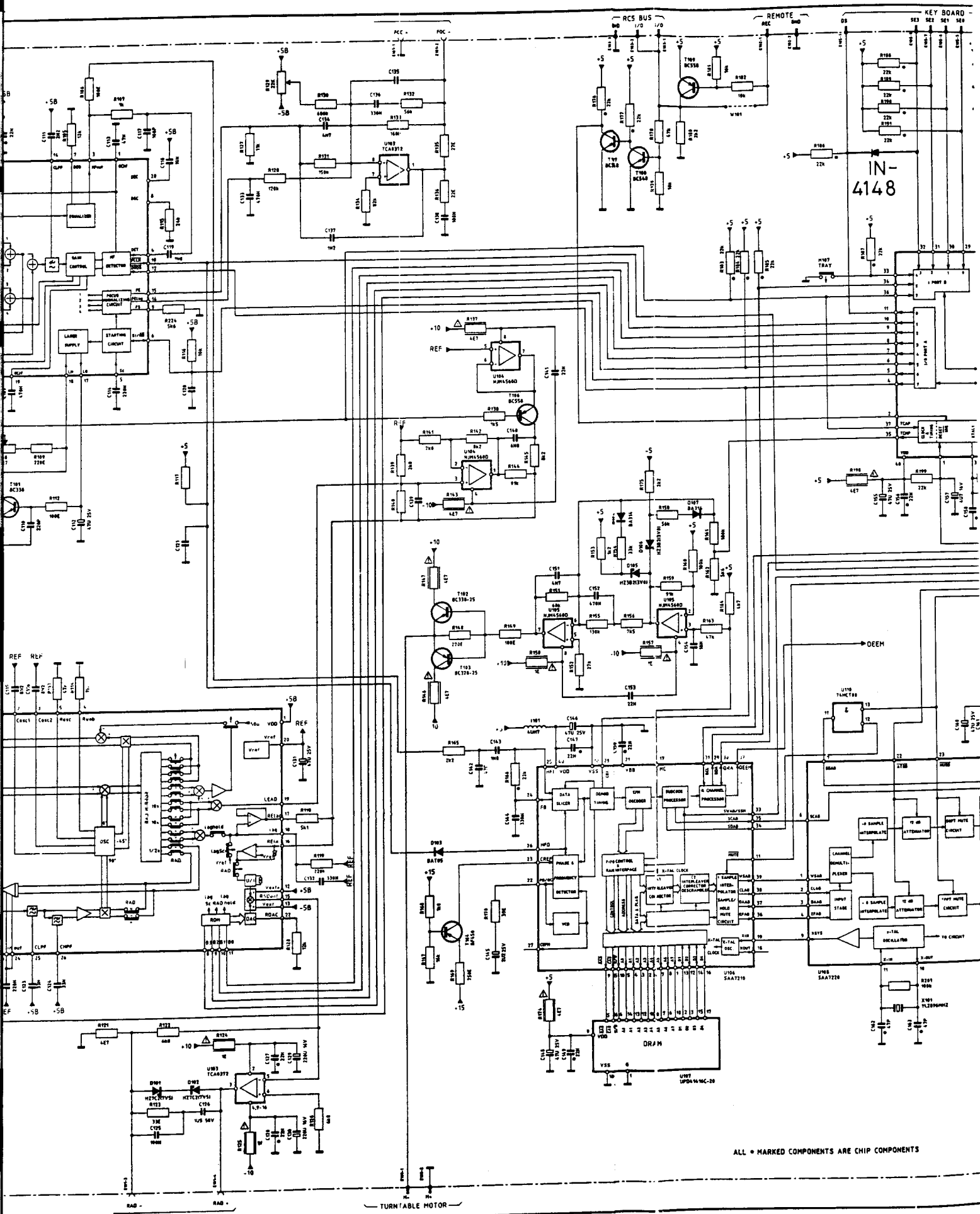
INSTRUCTION FOR PERSONNEL:  
 1) TO USE ONLY RECOMMENDED PARTS THAT HAVE THE CRITICAL CHARACTERISTICS RECOMMENDED BY MANUFACTURER.  
 2) TO MARK LEAKAGE CURRENT OR RESISTANCE MEASUREMENTS TO DETERMINE THAT EXPOSED PARTS ARE ACCEPTABLY INSULATED FROM THE SUPPLY CIRCUIT BEFORE RETURNING THE APPLIANCE TO THE CUSTOMER.

TH-AF-901211

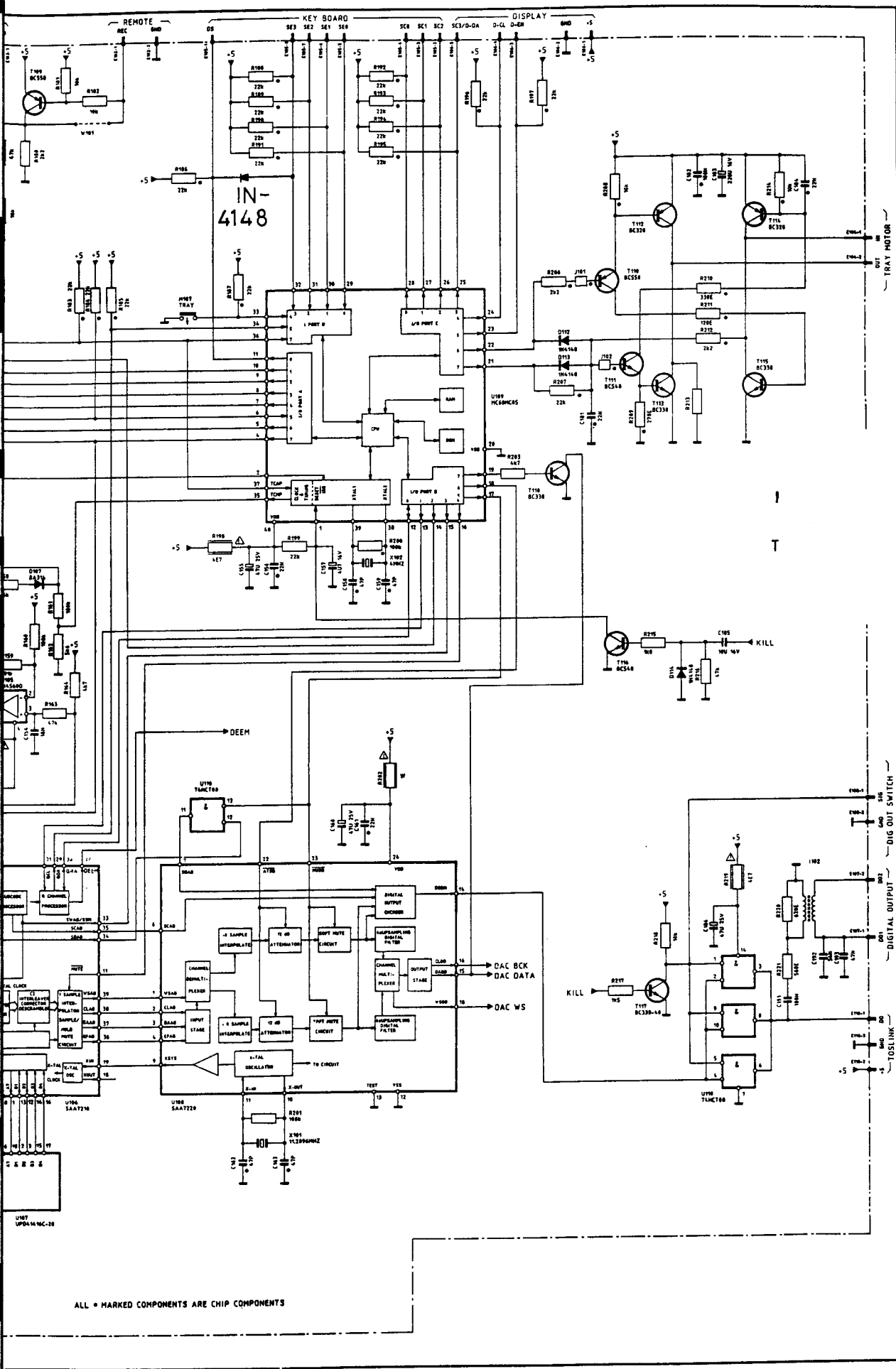
54

# Schematic Diagram

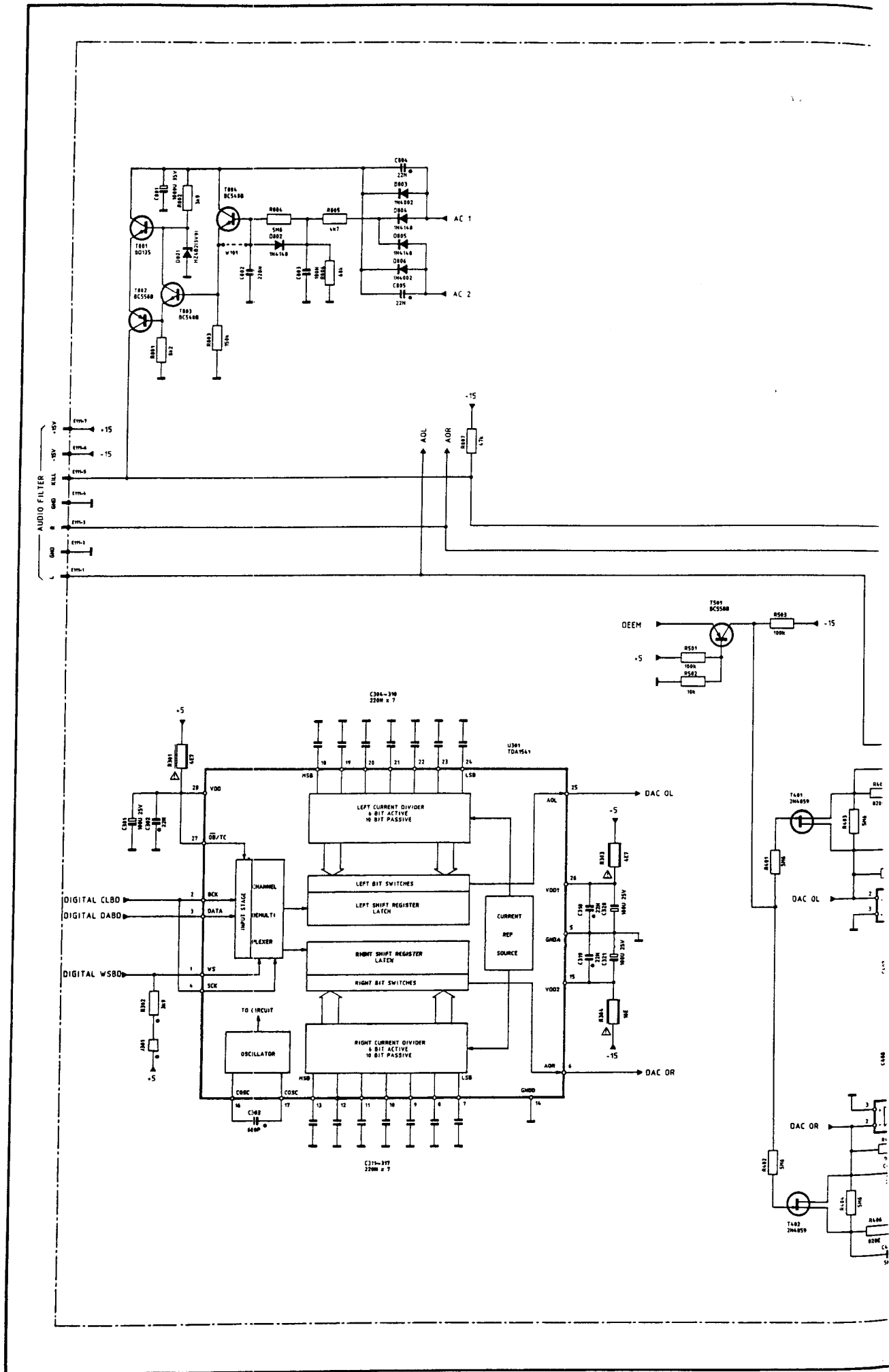


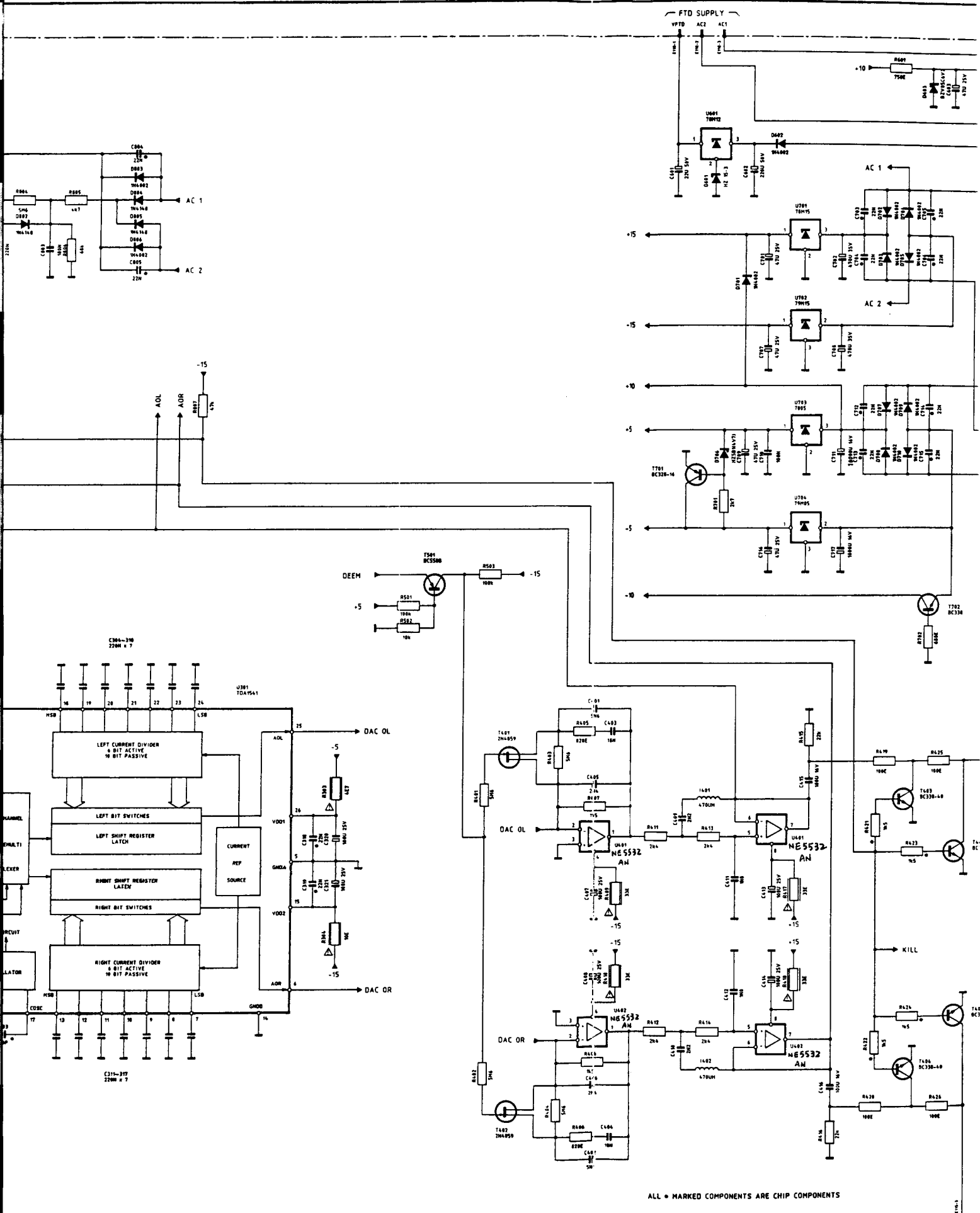


ALL • MARKED COMPONENTS ARE CHIP COMPONENTS

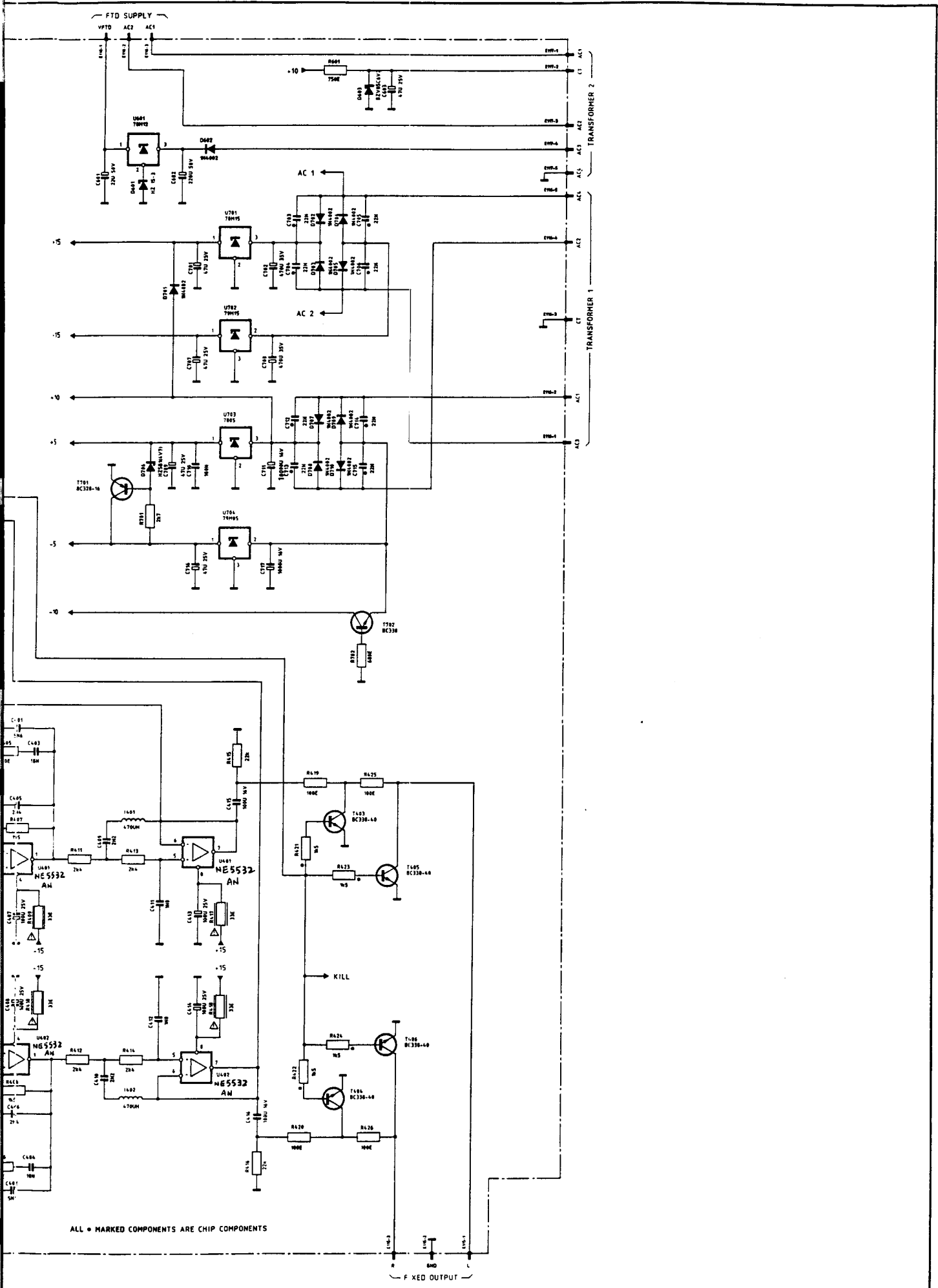


ALL \* MARKED COMPONENTS ARE CHIP COMPONENTS

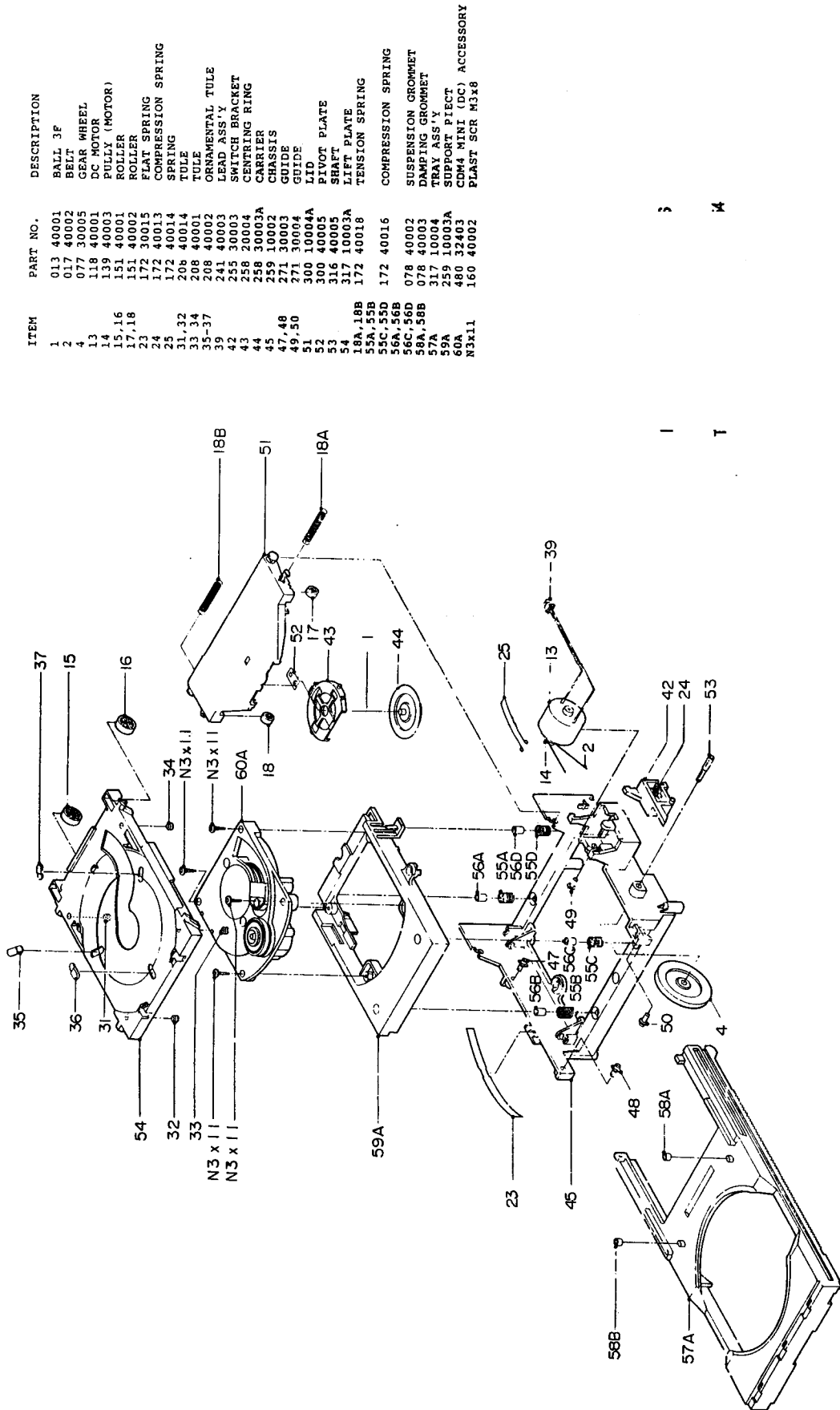




ALL \* MARKED COMPONENTS ARE CHIP COMPONENTS



# Disassembly Diagram



ITEM	PART NO.	DESCRIPTION
1	013 40001	BALL 3F
2	017 40002	BELT
4	077 30005	GEAR WHEEL
13	118 40001	DC MOTOR
14	139 40003	PULLEY (MOTOR)
15,16	151 40001	ROLLER
17,18	151 40002	ROLLER
23	172 30015	FLAT SPRING
24	172 40013	COMPRESSION SPRING
25	172 40014	SPRING
31,32	208 40014	TUBE
33,34	208 40001	TUBE
35-37	208 40002	ORNAMENTAL TUBE
39	241 40003	LEAD ASS'Y
42	255 30003	SWITCH BRACKET
43	258 20004	CENTRING RING
44	258 30003A	CARRIER
45	259 10002	CHASSIS
47,48	271 30003	GUIDE
49,50	271 30004	GUIDE
51	300 10004A	LID
52	300 40005	PIVOT PLATE
53	316 40005	SHAFT
54	317 10003A	LIFT PLATE
55	317 10003A	TENSION SPRING
56A,18B	172 40018	COMPRESSION SPRING
55A,55B	172 40016	COMPRESSION SPRING
56C,56D	078 40002	SUSPENSION GROMMET
58A,58B	078 40003	DAMPING GROMMET
57A	317 10004	TRAY ASS'Y
59A	259 10003A	SUPPORT PIECE
60A	480 32403	CDM4 MINI (DC) ACCESSORY
N3x11	160 40002	PLAST SCR M3x8