

ROTEL *hiFi*

STEREO COMPACT DISC PLAYER

RCD-940BX

TECHNICAL MANUAL

TABLE OF CONTENTS

Safety Caution	1
Chassis Layout	1
Specifications.....	2
Adjustment	3
Disassembly Diagram	6
Wiring Diagram	8
PC Board Ass'y Parts List	9
Block Diagram.....	11
Schematic Diagram.....	13
Printed Circuit Boards	17

THE ROTEL CO., LTD.

1-36-8, OHOKAYAMA, MEGURO-KU, TOKYO 152, JAPAN

ROTEL ELECTRONICS CO., LTD.

3F-2, NO.35, FU HSING NORTH ROAD, TAIPEI, TAIWAN, REPUBLIC OF CHINA

MN20002218

Safety Caution

PROTECTION OF EYES FROM LASER BEAM DURING SERVICING

THIS SET EMPLOYS A LASER. THEREFORE, BE SURE TO FOLLOW CAREFULLY THE INSTRUCTIONS BELOW WHEN SERVICING.

WARNING !!

WHEN SERVICING, DO NOT APPROACH THE LASER EXIT WITH THE EYE TOO CLOSELY. IN CASE IT IS NECESSARY TO CONFIRM LASER BEAM EMISSION, BE SURE TO OBSERVE FROM A DISTANCE OF MORE THAN 30cm FROM THE SURFACE OF THE OBJECTIVE LENS ON THE OPTICAL PICK-UP BLOCK.

LASER WARNING LABEL

THE LABEL SHOWN BELOW ARE AFFIXED.

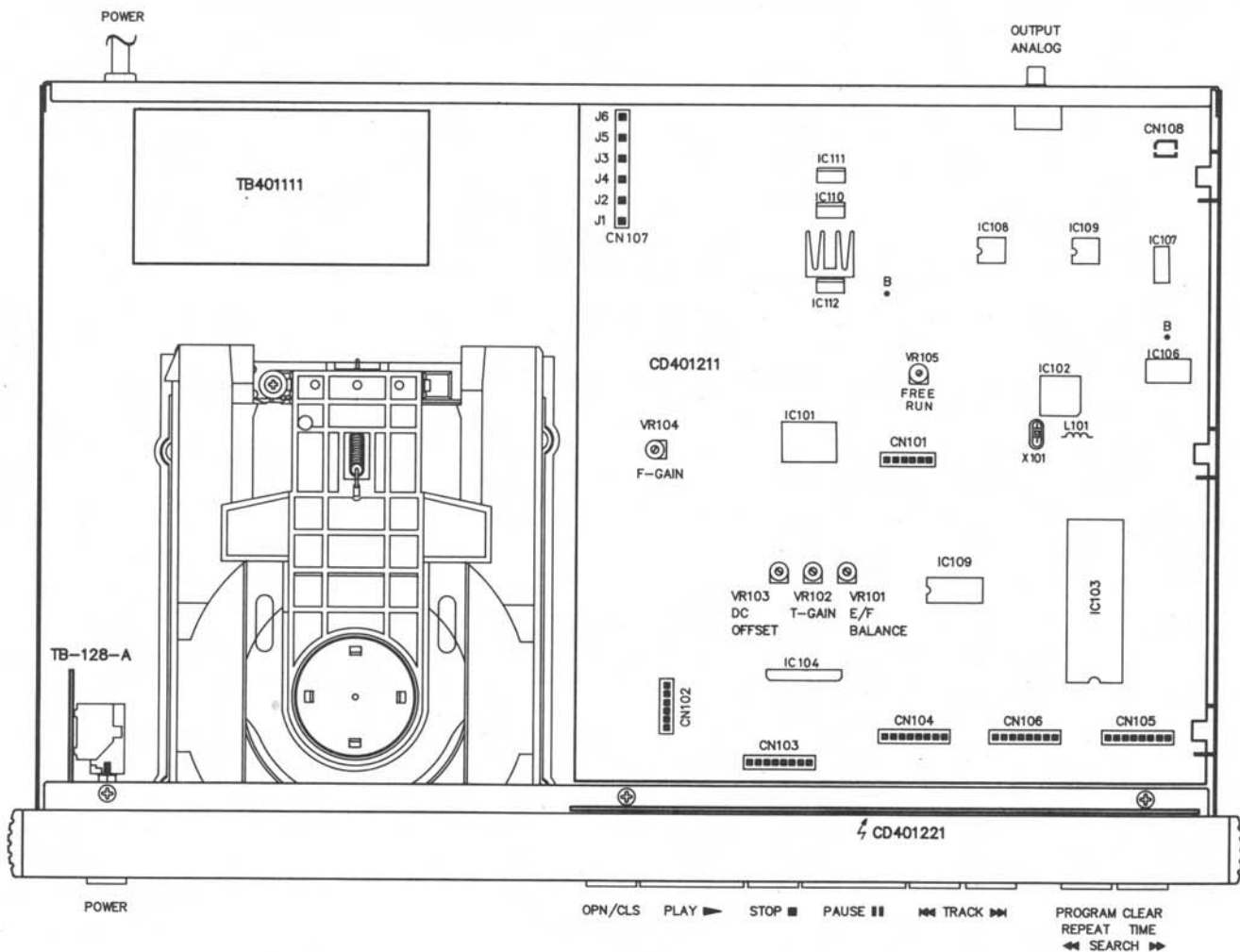
CAUTION

INVISIBLE LASER RADIATION WHEN OPEN, DO NOT STARE INTO BEAM.

DANGER

INVISIBLE LASER RADIATION WHEN OPEN, AVOID DIRECT EXPOSURE TO BEAM.

Chassis Layout



Specifications

RCD 940BX COMPACT DISC PLAYER

Frequency response	5 - 20,000 Hz \pm 0.8 dB
Harmonic distortion	< 0.005% @ 1 kHz
Channel separation	> 90 dB @ 1 kHz
Speed accuracy, wow and flutter	Quartz crystal accuracy
Signal to noise ratio	> 110 dB
Digital to analog converter	18 bit linear
Digital filter	8 x Oversampling
Power requirements	115 volts AC 50/60 Hz 230 volts AC 50/60 Hz
Power consumption	30 watts
Weight	4.4 kgs/ 9.7 lbs
Dimensions	440 (w) x 92 (h) x 316 (d) mm 17-3/8" (w) x 3-5/8" (h) x 12-7/16" (d)

All specifications are accurate at the time of printing. Rotel reserves the right to make improvements without notice.

ADJUSTMENT PROCEDURES

REQUIRED EQUIPMENTS

- DC Voltmeter
- Dualtrace Oscilloscope
- Frequency Counter
- Signal Generator
- Plastic Screwdriver
- Test Disc (SONY: YEDS18, TEAC: MCD-111)

SETTING OF INITIAL POSITION OF VOLUME

The variable resistors are set to the following initial positions.

VR101 (E-F BAL)	Mechanical center
VR102 (T GAIN)	Mechanical center
VR103 (TOFFSET)	Mechanical center
VR104 (F GAIN)	Mechanical center
VR105 (PLL)	Mechanical center

FREE RUN FREQUENCY ADJUSTMENT

1. Turn on the power and set the unit to the STOP mode.
2. Connect the frequency counter between jumper PCK and GND (use probes 10:1).
3. Short R138 (IC102 side) and GND.
4. Adjust VR105 so that the frequency counter indicates 4.2218 MHz (± 10 KHz).

FOCUS OFFSET CONFIRMATION

1. Turn on the power and set the unit to the STOP mode.
2. Connect a DC voltmeter and oscilloscope between jumper FC and GND.
3. Confirm that the indication on the DC voltmeter is $-0.7V / -1.5V$.

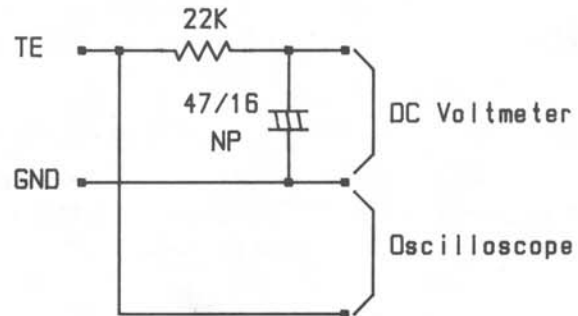
TRACKING OFFSET ADJUSTMENT

1. Turn on the power and set the unit to the STOP mode.
2. Connect a DC voltmeter and oscilloscope between jumper TC and GND.
3. Short jumper TOFF and GND.
4. Adjust VR103 so that the indication on the DC voltmeter is $0.1V \pm 20mV$.

NOTE: This adjustment should be made again after the adjustment of tracking Gain and E-F balance.

E-F BALANCE ADJUSTMENT

1. Turn on the power short jumper TEST and GND and jumper TROF and GND so that tracking servo is off.
2. Place test disc MCD-111 on the table load.
3. Connect a DC voltmeter and oscilloscope to jumper TE and GND through the low-pass filter shown below.



4. Press the PLAY button.
5. Adjust VR101 so that the DC voltmeter and oscilloscope is minimum voltage (wave form on oscilloscope is symmetrical to 0V line).

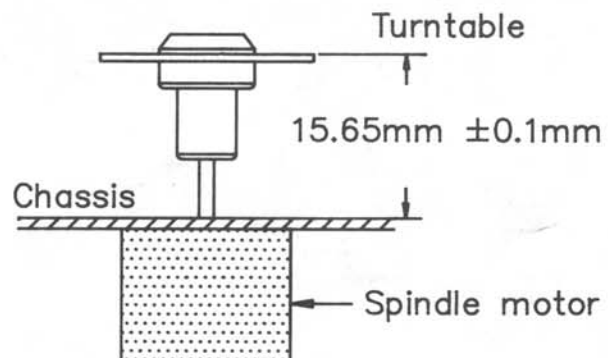
CONFIRMATION HF

Connect an oscilloscope to jumper HF and GND and observe the indication is 2.0 -3.3 Vp-p.

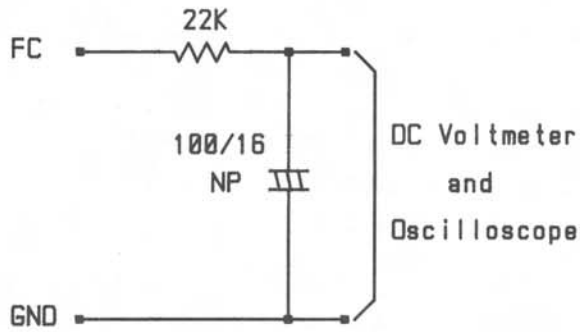
ADJUSTMENT OF TURNTABLE HEIGHT

This adjustment must be made when the motor replaced.

1. Attach the turntable so that its top surface is $15.65mm \pm 0.1mm$ from the top of the chassis.



2. Connect test jumper **FC** and **GND** to a DC voltmeter and oscilloscope through the low-pass filter.



3. Turn on the power and playback the first selection on test disc SONY YEDS18.
4. Readjust the height of the turntable if the reading on the DC voltmeter is not in the range of below.
 - INSIDE: $0V \pm 0.2V$.
 - OUTSIDE: $0V \pm 0.35V$.
 Adjusting turntable is height by 0.55-0.65mm shift voltage by 1V.

- Remove connector CN102 from the pick-up and connect the measurement circuit between the main PCB and pick-up.
- The IC used is TA7256P.
- VR control 2 kohm shorts **IN** and **SG**, 1kHz 1Vp-p is supplied from the signal generator, and adjustment is made for minimum output from **OUT**.

ADJUSTMENT OF FOCUS/TRACKING GAIN

The measurement circuit shown in the previous page is necessary for accurate adjustment of the focus and tracking gain. If this circuit cannot be made, make adjustments using the simplified procedure.

SIMPLIFIED ADJUSTMENT PROCEDURE

Tracking gain adjustment

VR102 set to a position 30° from its mechanical center as shown in the diagram below.

Focus gain adjustment

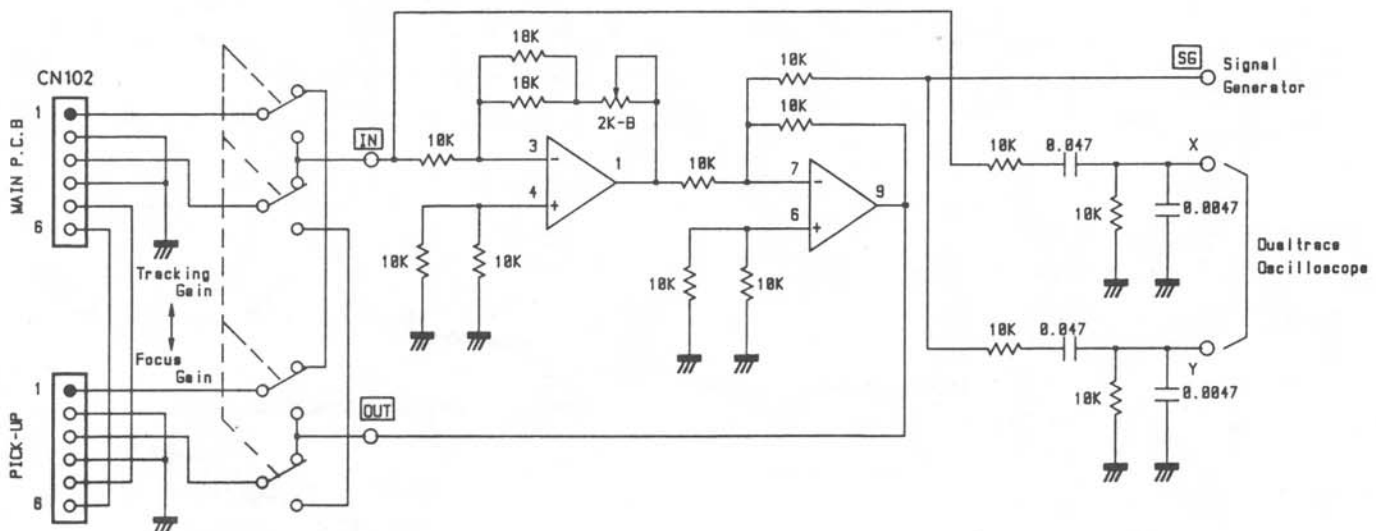
VR104 set to a position 40° from its mechanical center as shown in the diagram below.



VR102



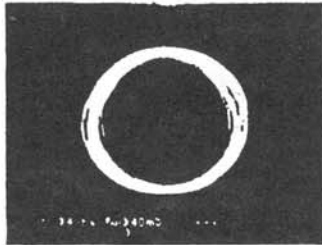
VR104



PRECISE ADJUSTMENT PROCEDURE

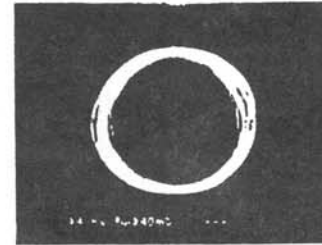
• Tracking gain adjustment

1. Connect the measurement circuit shown above, turn on the power, and mount the test disk.
2. Play back the first selection on the test disk, and apply a 1800Hz 0.5Vp-p signal from the signal generator.
3. Observe the resurge waveforms on the oscilloscops, and adjust VR102 so that the phase difference of outputs X and Y from the measurement circuit is 90°.



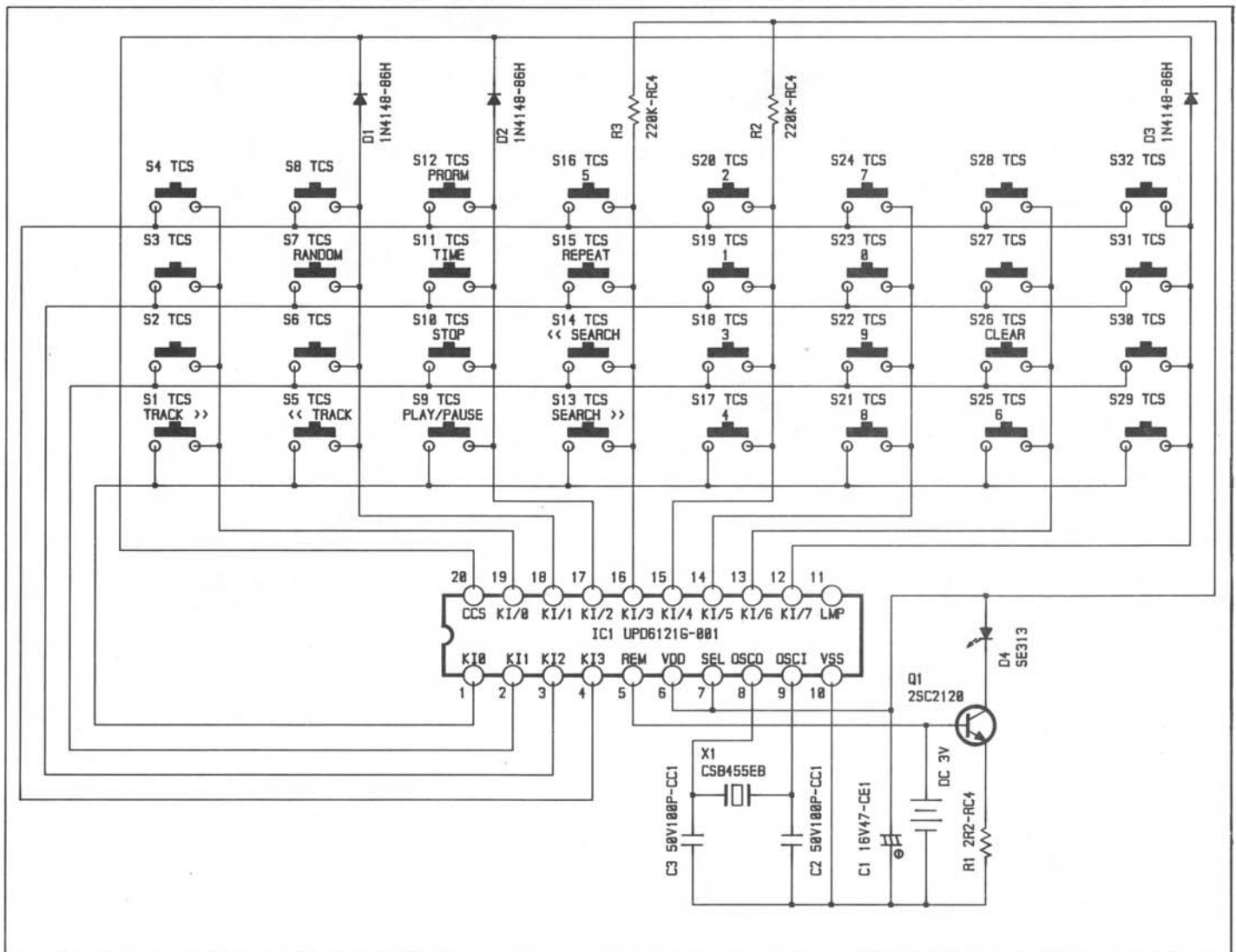
• Focus gain adjustment

1. Connect the measurement circuit shown above, turn on the power, and mount the test disk.
2. Play back the first selection on the test disk, and apply a 1050Hz 0.5Vp-p signal from the signal generator.
3. Observe the resurge waveforms on the oscilloscope, and adjust VR104 so that the phase difference of outputs X and Y from the measurement circuit is 90°.

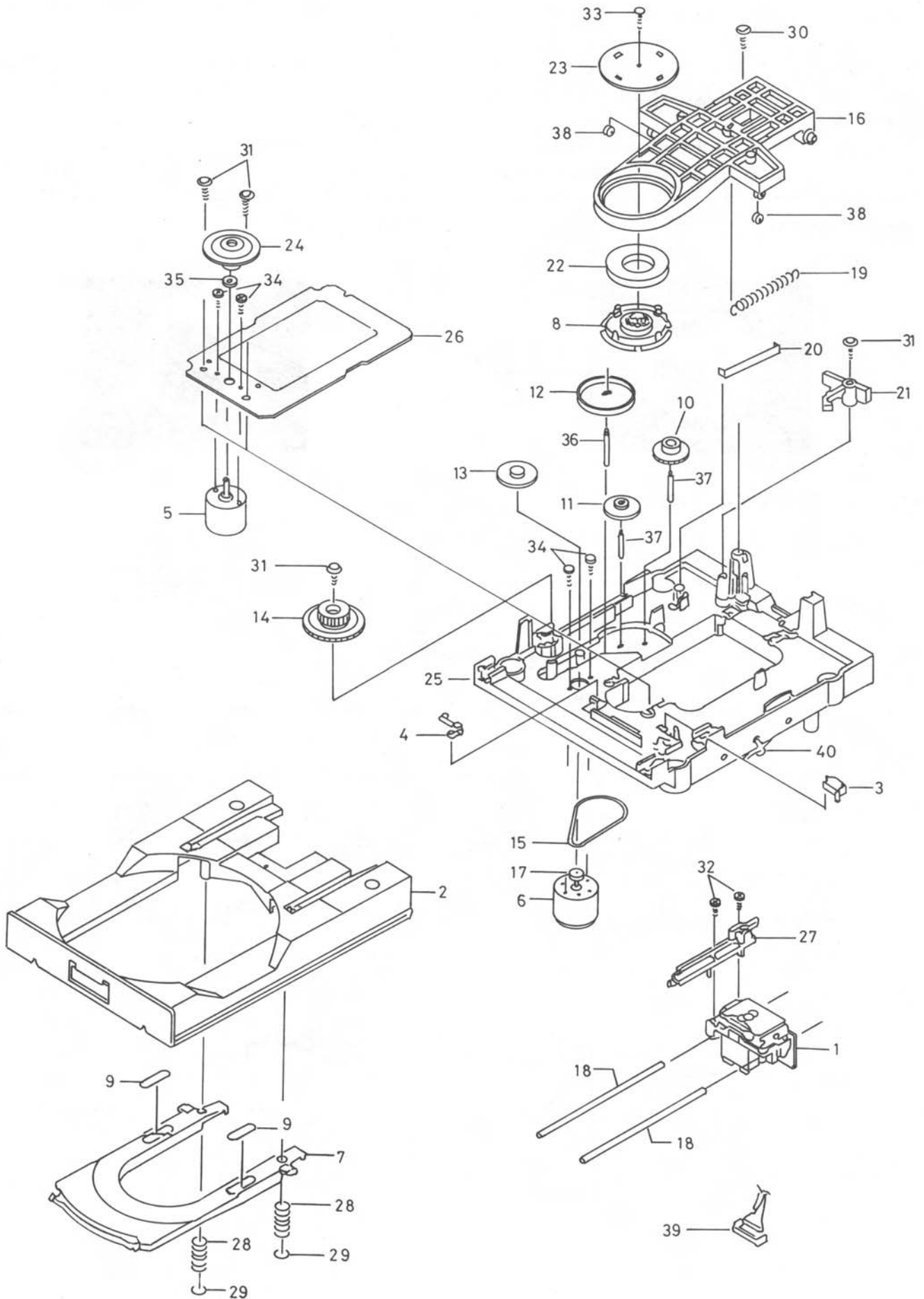


REMOTE CONTROL HANDSET

SCHEMATIC DIAGRAM MODEL NO. RR-921



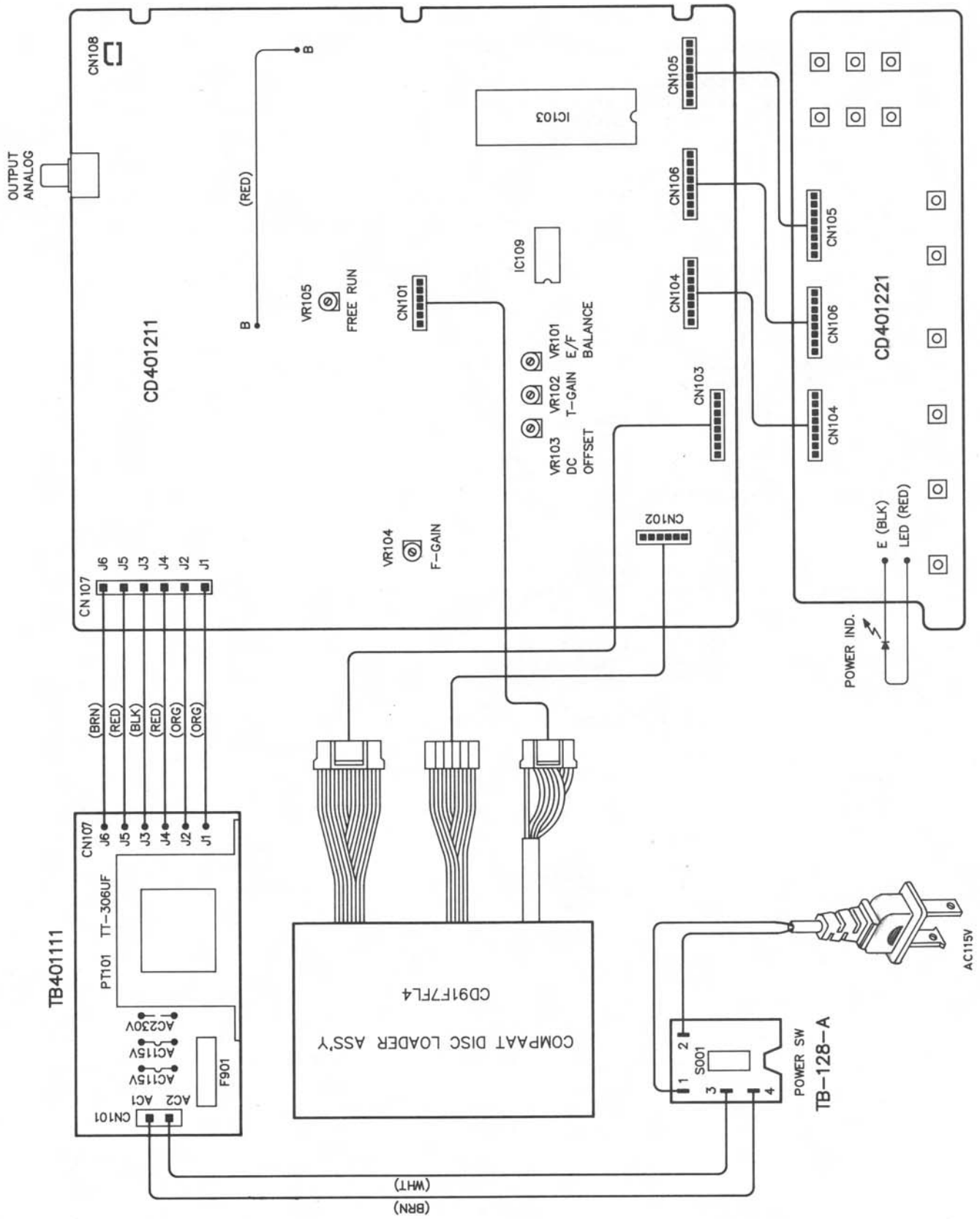
Disassembly Diagram



MECHANISM PARTS LIST

ITEM	DESCRIPTION	PARTS CODE
01-01	4A41000200	PICKUP, LASER, PIK
01-02	2761A00500	TABLE, LOADING
01-03	A231207010	LEVER SW 1PIT
01-04	A231979890	LEAF SW
01-05	A527971820	MOTOR
01-06	OM10A02100	ASSY, MOTOR, 3.0V, 0.3W
01-07	2713A00500	LIFTER, CD, TABLE
01-08	2451A03500	HOLDER, DISC
01-09	2571A01200	FELT, DISC
01-10	2511A07600	GEAR, PINION PICK
01-11	2511A07500	GEAR, LOAD PICK
01-12	2511A07900	GEAR, PULLY
01-13	2511A07700	GEAR, LOAD TABLE
01-14	2511A07800	GEAR, PINION TABLE
01-15	2563A01600	BELT, SQUARE
01-16	2762A00200	FLAP, DISC CLAMP
01-17	2523A01500	PULLY MOTOR
01-18	2744A00200	SHAFT, SLIDE, PICK
01-19	2811A03500	SPRING, TENS, FLAP
01-20	2814A03600	SPRING, PLATE
01-21	2711A04300	ARM, CHANGE
01-22	2641A01300	MAGNET, DISC CLAMP
01-23	2642A00500	YOKE, MAGNET
01-24	B522900300	TURNTABLE ASSY
01-25	2311A05000	CHASSIS, LOAD
01-26	2311A05100	CHASSIS, CD
01-27	2511A07400	GEAR, RACK
01-28	2812A03900	SPRING, COMP, TABLE
01-29	2381002200	SPECIAL SCREW
01-30	M420128300	SCREW (B TITE SEMS) Z
01-31	E421942700	SCREW WASHER
01-32	SE205R001A	SCR FLT PCS 2x5
01-33	SF204R001E	SCR S-TPG PIN 2x4
01-34	SE172R502M	SCR PAN PCS 1.7x2.5
01-35	2383000900	SPECIAL WASHER
01-36	2551A04800	SPINDLE, GEAR L
01-37	2551A04900	SPINDLE, GEAR S
01-38	2751A00800	ROLLER, FRAP
01-39	OJ13A31100	ASSY, CONNECTOR-S.PH9P
01-40	E472907100	WIRE BAND

Wiring Diagram



Parts List

NOTE: THE COMPONENTS IDENTIFIED BY Δ MARK ARE FOR SAFFTY. REPLACE ONLY WITH ORIGINAL PARTS. DO NOT SUBSTITUTE.

SYMBOL	PARTS NO.	DESCRIPTION
	CD401211	PCB ASSEMBLY
R101	RD51001823	R, CARBON 1K 1/4W J
R102	RD51002827	R, CARBON 10K 1/4W J
R103	RD52201820	R, CARBON 2.2K 1/4W J
R104	RD51004824	R, CARBON 1M 1/4W J
R105	RD52701828	R, CARBON 2.7K 1/4W J
R106, 107	RD53903822	R, CARBON 390K 1/4W J
R108	RD55602825	R, CARBON 56K 1/4W J
R109	RD28202828	R, CARBON 82K 1/4W J
R110	RD51503820	R, CARBON 150K 1/4W J
R111	RD55602825	R, CARBON 56K 1/4W J
R112	RD54702824	R, CARBON 47K 1/4W J
R113	RD51201824	R, CARBON 1.2K 1/4W J
R114	RD51502814	R, CARBON 15K 1/4W J
R115	RD28200823	R, CARBON 820 1/4W J
R116	RD51802820	R, CARBON 18K 1/4W J
R117	RD55604822	R, CARBON 5.6M 1/4W J
R118	RD51501820	R, CARBON 1.5K 1/4W J
R119-121	RD52202824	R, CARBON 22K 1/4W J
R122	RD26800823	R, CARBON 680 1/4W J
R123	RD52202824	R, CARBON 22K 1/4W J
R124	RD52208826	R, CARBON 2.2 1/4W J
R125	RD54701820	R, CARBON 4.7K 1/4W J
R126, 127	RD52203820	R, CARBON 220K 1/4W J
R128	RD52202824	R, CARBON 22K 1/4W J
R129	RD54703828	R, CARBON 470K 1/4W J
R130	RD51003820	R, CARBON 100K 1/4W J
R131	RD51002827	R, CARBON 10K 1/4W J
R132	RD21803822	R, CARBON 180K 1/4W J
R133, 134	RD53302826	R, CARBON 33K 1/4W J
R135	RD51000820	R, CARBON 100 1/4W J
R136	RD51002827	R, CARBON 10K 1/4W J
R137	RD51003820	R, CARBON 100K 1/4W J
R138	RD51002827	R, CARBON 10K 1/4W J
R139	RD51003820	R, CARBON 100K 1/4W J
R140	RD52201820	R, CARBON 2.2K 1/4W J
R141	RD51502824	R, CARBON 15K 1/4W J
R142	RD54701820	R, CARBON 4.7K 1/4W J
R143	RD53301822	R, CARBON 3.3K 1/4W J
R144	RD52203828	R, CARBON 220K 1/4W J
R145	RD26802820	R, CARBON 68K 1/4W J
R146	RD54702824	R, CARBON 47K 1/4W J
R147	RD53302826	R, CARBON 33K 1/4W J
R148	RD51002827	R, CARBON 10K 1/4W J
R149	RD51502824	R, CARBON 15K 1/4W J
R150-153	RD52208826	R, CARBON 2.2 1/4W J
R154	RD54702824	R, CARBON 47K 1/4W J
R155	RD51501820	R, CARBON 1.5K 1/4W J
R156	RD51003820	R, CARBON 100K 1/4W J
R157	RD54700827	R, CARBON 470 1/4W J
R158	RD51002827	R, CARBON 10K 1/4W J
R159	RD25603827	R, CARBON 560K 1/4W J
R160	RD51003820	R, CARBON 100K 1/4W J
R161	RD54703828	R, CARBON 470K 1/4W J
R162	RD54702824	R, CARBON 47K 1/4W J
R163	RD54703828	R, CARBON 470K 1/4W J
R164	RD54702824	R, CARBON 47K 1/4W J
R165	RD52202824	R, CARBON 22K 1/4W J
R166	RD51001823	R, CARBON 1K 1/4W J
R167	RD54700827	R, CARBON 470 1/4W J
R168-170	RD51002827	R, CARBON 10K 1/4W J
R171	RD51003820	R, CARBON 100K 1/4W J
R172-176	RD51002827	R, CARBON 10K 1/4W J
R177	RD52201820	R, CARBON 2.2K 1/4W J
R178	RD54708826	R, CARBON 4.7 1/4W J
R179-182	RD52200827	R, CARBON 220 1/4W J
R183	RD52202824	R, CARBON 22K 1/4W J
R184-186	RM11000712	R, METAL MRS25100R 0.6W
R187-190	RM14701711	R, METAL MRS25K7 0.6W

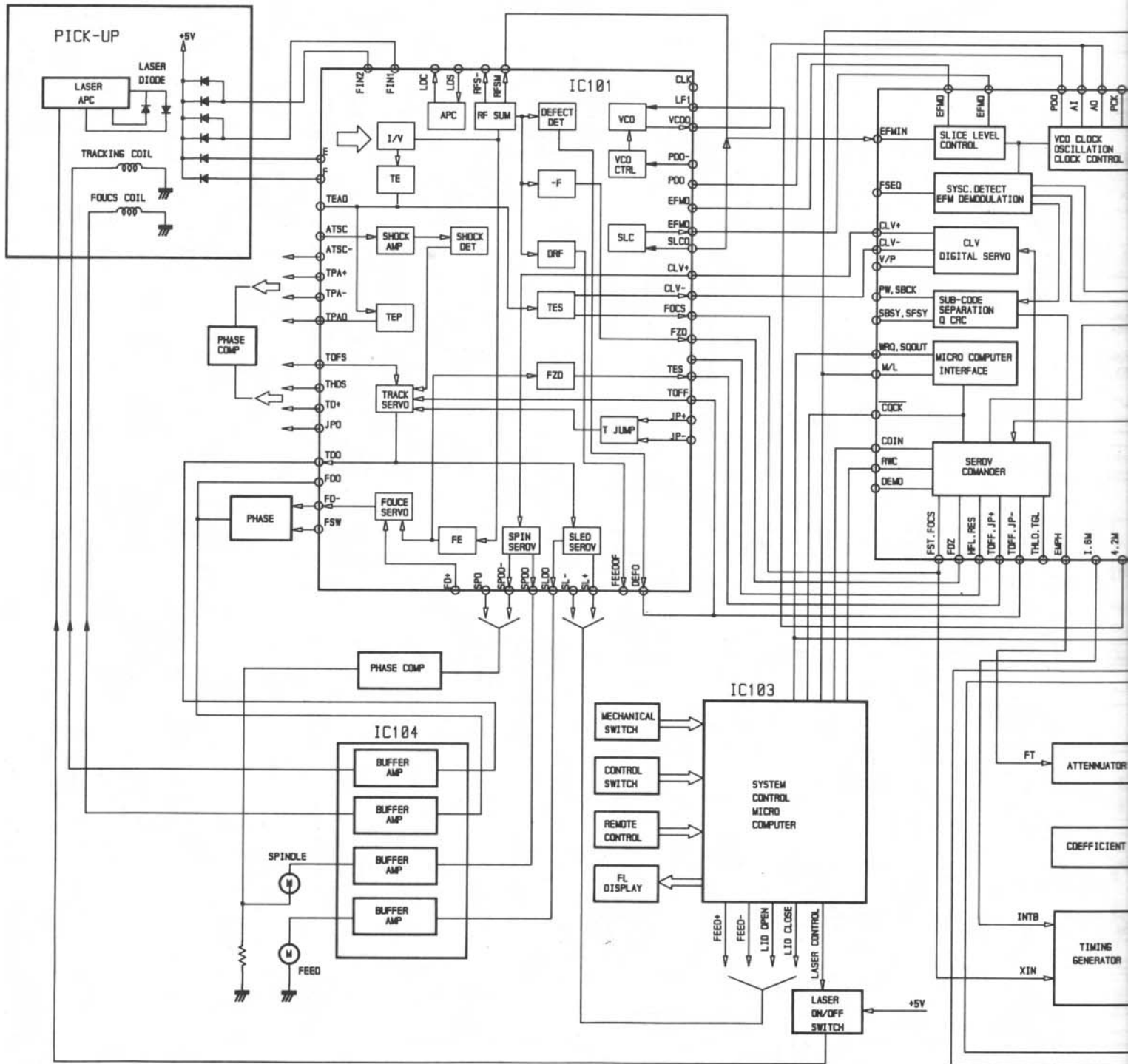
SYMBOL	PARTS NO.	DESCRIPTION
R191, 192	RM02201718	R, METAL MRS252K2 0.6W
R193, 194	RM11201717	R, METAL MRS251K2 0.6W
R195, 196	RM14702715	R, METAL MRS2547K 0.6W
R197-200	RM12200717	R, METAL MRS25220R 0.6W
R201-204	RD56801829	R, CARBON 6.8K 1/4W J
R205	RD52203828	R, CARBON 220K 1/4W J
R206	RD54702824	R, CARBON 47K 1/4W J
R207	RD51002827	R, CARBON 10K 1/4W J
R208	RD52202824	R, CARBON 22K 1/4W J
R209	RD54700827	R, CARBON 470 1/4W J
R210	RD51000820	R, CARBON 100 1/4W J
R211	RD51002827	R, CARBON 10K 1/4W J
R212	RD51003820	R, CARBON 100K 1/4W J
R213	RD54702824	R, CARBON 47K 1/4W J
R214	RD51002827	R, CARBON 10K 1/4W J
R215, 216	RD53301822	R, CARBON 3.3K 1/4W J
R217, 218	RD58201829	R, CARBON 8.2K 1/4W J
R219	RD55600828	R, CARBON 560 1/4W J
R220	RD54701820	R, CARBON 4.7K 1/4W J
R221, 222	RD54700827	R, CARBON 470 1/4W J
R223, 224	RD52209820	R, CARBON 22 1/4W J
R226, 227	RM14702715	R, METAL MRS2547K 0.6W
R228	RD51001823	R, CARBON 1K 1/4W J
C101	CC41009462	CAP, CERAMIC 50V 0.01uF
C102	CE41006500	CAP, ELEC. 50V 10uF
C103	CE41005257	CAP, ELEC. 25V 100uF
C104	CC45009456	CAP, CERAMIC 50V 0.047uF
C105	CE41005257	CAP, ELEC. 25V 100uF
C106	CC45009456	CAP, CERAMIC 50V 0.047uF
C107	CC41009462	CAP, CERAMIC 50V 0.01uF
C108	CC71010430	CAP, CERAMIC HE50TKYB102K
C109	CM11509423	CAP, MYLAR 50V 103J
C110, 111	CM14709423	CAP, MYLAR 50V 473J
C112	CM11008422	CAP, MYLAR 50V 104J
C113	CM16809421	CAP, MYLAR 50V 683J
C114	CM11008422	CAP, MYLAR 50V 104J
C115	CE02005255	CAP, ELEC. 25V 220uF
C116	CE41006500	CAP, ELEC. 50V 10uF
C117	CM14709423	CAP, MYLAR 50V 473J
C118	CC71011422	CAP, CERAMIC HE50TKSL101J
C119	CN01007507	CAP, NON-POLARIZER NP 50V 1uF
C120	CM13310427	CAP, MYLAR 50V 332J
C121	CE42206507	CAP, ELEC. 50V 22uF
C122	CQ03309423	CAP, POLYESTER FILM TECQB1H333JF3
C123	CC01008458	CAP, CERAMIC 50V 0.1uF
C124	CC74711420	CAP, CERAMIC HE90TKSL471J
C125	CM13909428	CAP, MYLAR 50V 393J
C126	CC72211420	CAP, CERAMIC HF70TKSL221J
C127	CC71010430	CAP, CERAMIC HE50TKYB102K
C128	CE44708504	CAP, ELEC. 50V 0.47uF
C129	CQ03309423	CAP, POLYESTER FILM TECQB1H333JF3
C130	CC41009462	CAP, CERAMIC 50V 0.01uF
C131	CC72211420	CAP, CERAMIC HF70TKSL221J
C132	CE44708504	CAP, ELEC. 50V 0.47uF
C133	CC45009456	CAP, CERAMIC 50V 0.047uF
C134	CC42013485	CAP, CERAMIC 50V 2PF
C135	CC45013484	CAP, CERAMIC 50V 5PF
C136	CC41009462	CAP, CERAMIC 50V 0.01uF
C137	CE41005257	CAP, ELEC. 25V 100uF
C138	CC71010430	CAP, CERAMIC HE50TKYB102K
C139, 140	CC52212429	CAP, CERAMIC 50V 22PF
C141	CC01008458	CAP, CERAMIC 50V 0.1uF
C142	CE41005257	CAP, ELEC. 25V 100uF
C143	CC45009456	CAP, CERAMIC 50V 0.047uF
C144	CE41005257	CAP, ELEC. 25V 100uF
C145	CC44709422	CAP, CERAMIC DSXE65TKY473Z
C147	CE02205255	CAP, ELEC. 25V 220uF

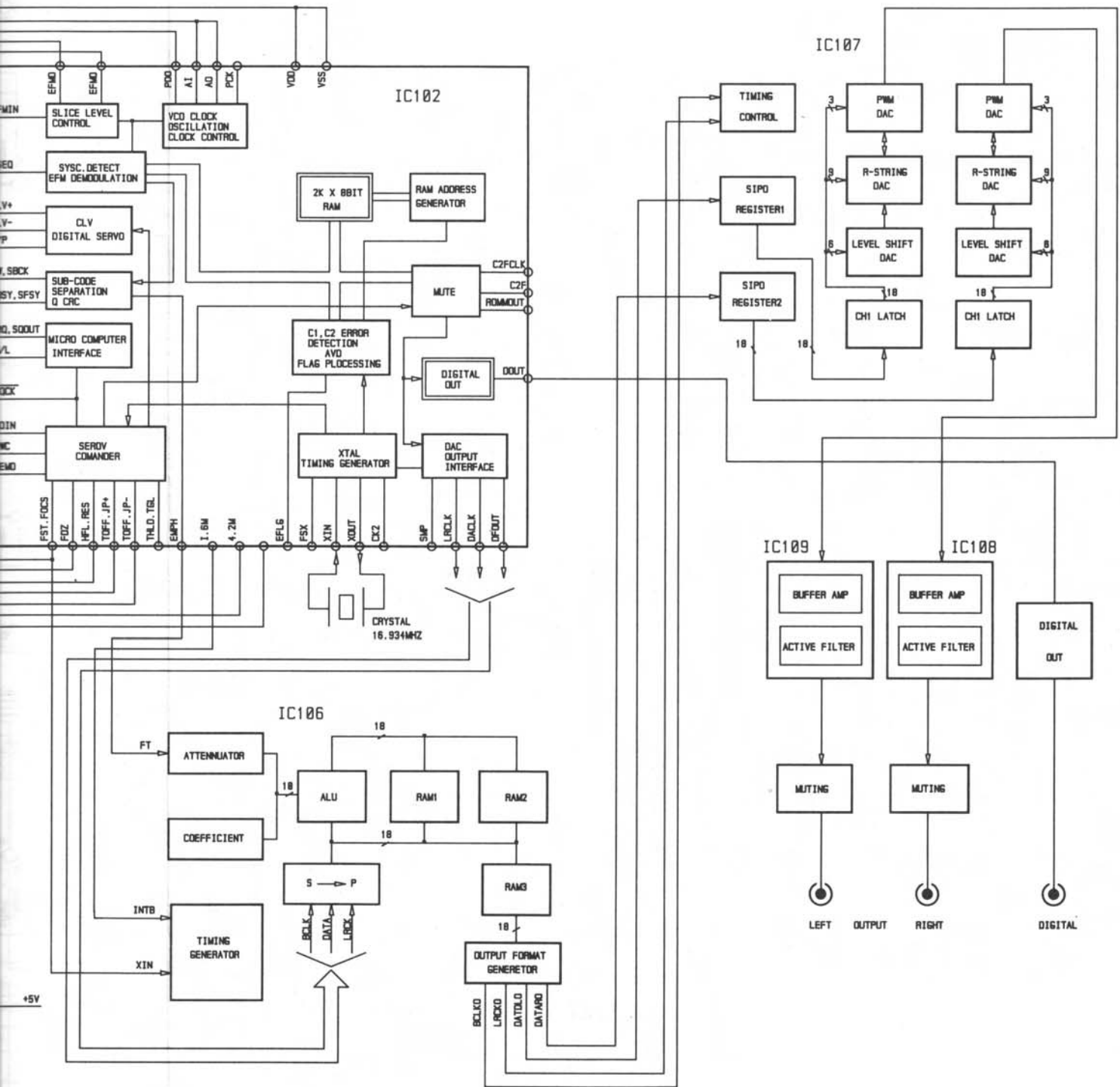
Parts List

SYMBOL	PARTS NO.	DESCRIPTION
C148-151 C152	CC45009456 CE41005257	CAP,CERAMIC 50V 0.047uF CAP,ELEC. 25V 100uF
C153,154 C155 C156 C157 C158,159	CE44706258 CE41007503 CE43308464 CC41009462 CM11010428	CAP,ELEC. 25V 47uF CAP,ELEC. 50V 1uF CAP,ELEC. 50V 0.33uF CAP,CERAMIC 50V 0.01uF CAP,MYLAR 50V 102J
C160,161 C164 C165 C166,167 C168,169	CM14709423 CC45009456 CE41005257 CS47511428 CS41010429	CAP,MYLAR 50V 473J CAP,CERAMIC 50V 0.047uF CAP,ELEC. 25V 100uF CAP,STYROL 50V 750P CAP,STYROL 50V 1000P
C170,171 C172,173 C174,175 C176,178 C179,180	CE61005743 CS41010429 CE51005679 CE41005257 CE51005679	CAP,ELEC. 16BGF100M CAP,STYROL 50V 1000P CAP,ELEC. 25BGF100M CAP,ELEC. 25V100uF CAP,ELEC. 25BGF100M
C181 C182 C183 C184 C185,186	CE51003774 CE04705358 CE04705504 CE44706568 CE02204251	CAP,ELEC. UVX1C103MH1AA CAP,ELEC. 35V 470uF CAP,ELEC. 50V 470uF CAP,ELEC. 35V 47uF CAP,ELEC. 25V 2200uF
C187 C188 C188-192 IC101 IC102	CE04705255 CE42207500 CC01009256 IC00003483 IC00003550	CAP,ELEC. 25V 470uF CAP,ELEC. 50V 2.2uF CAP,CERAMIC 250V 0.1uF Δ IC LA9201M IC LC7867E
IC103 IC104 IC105 IC106 IC107	IC00003458 IC00003549 IC00002340 IC00003471 IC00003460	IC LC6538D-4814 IC LA6524 IC TC4081BP/UPD4081BC IC LC78840M IC LC78820M-BC
IC108,109 IC110 IC111 IC112 D101-113	IC00003770 IC00002582 IC00002570 IC00000615 DD80000021	IC TL052CP IC NJM79M09 IC NJM78M09 IC NJM78M05 DIODE IN4148-86
D114 D115,116 D117 D118 D119	DD20000387 DD80000021 DD20000272 DD20000030 DD20000200	DIODE RD-3.9E DIODE IN4148-86 ZENER DIODE RD-7.5E DIODE RD-30E DIODE RD-5.1E
D120-129 Q101 Q102 Q103 Q104	DD80000010 TR10000126 TR10000254 TR30000492 TR10000126	DIODE IN4003-TB TRANSISTOR 2SA608KF TRANSISTOR 2SA1345 TRANSISTOR 2SC3399 TRANSISTOR 2SA608KF
Q105 Q106 Q107,108 Q109 Q110	TR30000492 TR10000254 TR30000492 TR10000126 TR30000327	TRANSISTOR 2SC3399 TRANSISTOR 2SA1345 TRANSISTOR 2SC3399 TRANSISTOR 2SA608KF TRANSISTOR 2SC536G-NP
Q111-114 Q115 Q116,117 Q118,119 X101	TR30000583 TR10000126 TR30000492 TR30000327 DD60000362	TRANSISTOR 2SC2878 (A,B) TRANSISTOR 2SA608KF TRANSISTOR 2SC3399 TRANSISTOR 2SC536G-NP CRYSTAL OSC. 16.9344MHz
L101 VR101 VR102 VR103 VR104	LM00000607 RV20000430 RV20000521 RV20000480 RV20000442	MICRO INDUCTOR TRL-384 R,SEMI-FIXED RH0615C10300 R,SEMI-FIXED RH0615C47200 R,SEMI-FIXED RH0615C10400 R,SEMI-FIXED RH0615C22300
VR105 JK101	RV20000480 JP02000132	R,SEMI-FIXED RH0615C10400 2P PIN JACK 4TR-2166#1
	CD401221	PCB ASSEMBLY
FL101 IC101	CD40001397 IC00002030	FL TUBE CPF2377 REMOTE RECEIVER SBX1610-02

SYMBOL	PARTS NO.	DESCRIPTION
C101 SW1-12	CE41005166 SH60000240	CAP,ELEC. 16V 100uF KEY BOARD SW 4TR-2343
	TB-128-A	PCB ASSEMBLY
C001 S001	CK00000035 SH40000120	SPARK KILLER DE7150F472M Δ POWER SW C-3600-B-T Δ
	TB401111	PCB ASSEMBLY
CN101	SA00002508	CONNECTOR WAFER C-4422A01
	OTHERS	
	AF50000054 AM00002177 AR50000095	FRONT CHASSIS 2TQO-2C#2 CHASSIS BODY 2TQR-2#2 PRINTED REAR CHASSIS TRP-652
	DI00001375	COMPACT DISC LOADER ASS'Y CD91F7EL4
	PT30616105	POWER TRANSFORMER TT-306-UF Δ
	FT00000229	PLASTIC FOOT 4TSH-19#2 50Fx14H
	SC00000027	AC CORD STOPPER SR-4N-4 Δ
	SP10006922 SR00001308 SB00001125	LOADER SUPPORT 4TR-3052 CUSHION RUBBER 4TR-3076 13F P.V.C SHIELD PLATE 4TR-3078A
	SP30000744	PLASTIC COVER 4TR-3091
	CD00000218	AC CORD SPT-2 AWG#18 4TR-670#4 Δ
	CD00000322 CD00000048 CD00000085	AC POWER CORD 4TR-2757 Δ AC POWER CORD 4TR-1037 Δ AC POWER CORD C-2504A Δ
	CD00000115 NP00001949	AC POWER CORD C-3763-T Δ NAME STICKER 4TR-2828A#1 AC120V TNP-382
	NP00001962	NAME STICKER 4TR-2828A#3 AC240V TNP-384
	NP00001998	NAME STICKER 4TR-2828A#5 AC230V TNP-389
	NP00002012	NAME STICKER 4TR-2828A#6 AC100V TNP-391
	NP00001950	NAME STICKER 4TR-2828A#2 AC220V TNP-383
	FU25000016 FU23000384 AA50000132 AW00000587 BU00001145	FUSE 250V 500mA UL/CSA Δ FUSE 250V T250mA (S) Δ FRONT PANEL 2TQO-1#2 TFP-718 PANEL WINDOW 4TQO-7 POWER RING W/LED 4TQF-13 14x14
	KB20002711 KB20002784 OM10001272	TACT BUTTON 6 KEY 3TQK-8 TACT BUTTON 2 KEY 3TQO-4 ORNAMENTAL SIDE BOARD 4TR-2797#2
	KB20002681	POWER BUTTON 4TQF-15 14x14
	DD40000095 SM70000065 ON00000179 AG00000410 AU000001316	LED SEL1124R/LN224R PUSH BUTTON CONNECTOR 4TTL-15 BUTTON SPRING 4TR-1988A#2 10F REMOTE CONTROL HANDSET RR-921 TOP COVER (POLY) 3TTF-5#9
	OM10001740	FL ORNAMENTAL PLATE 4TQR-6#2 TFP-719
	OM10001739 OM10001764 SR00000882	PLASTIC DOOR 3TR-3053 CD ALUM. DOOR 4TQO-6#3 UPPER COVER SPACER 4TR-2418
	SR00000961 OM70000193 OM70000259 PLO0001130	RUBBER CAP 4TTV-8 6.6MM FILTER BOARD 4TSJ-9#3 FILTER BOARD 4TSJ-9#4 STYROL SIDE MOULDING 2TQR-4 TZ-186
	TN10004578	INSIDE CARTON 4TR-2854#18

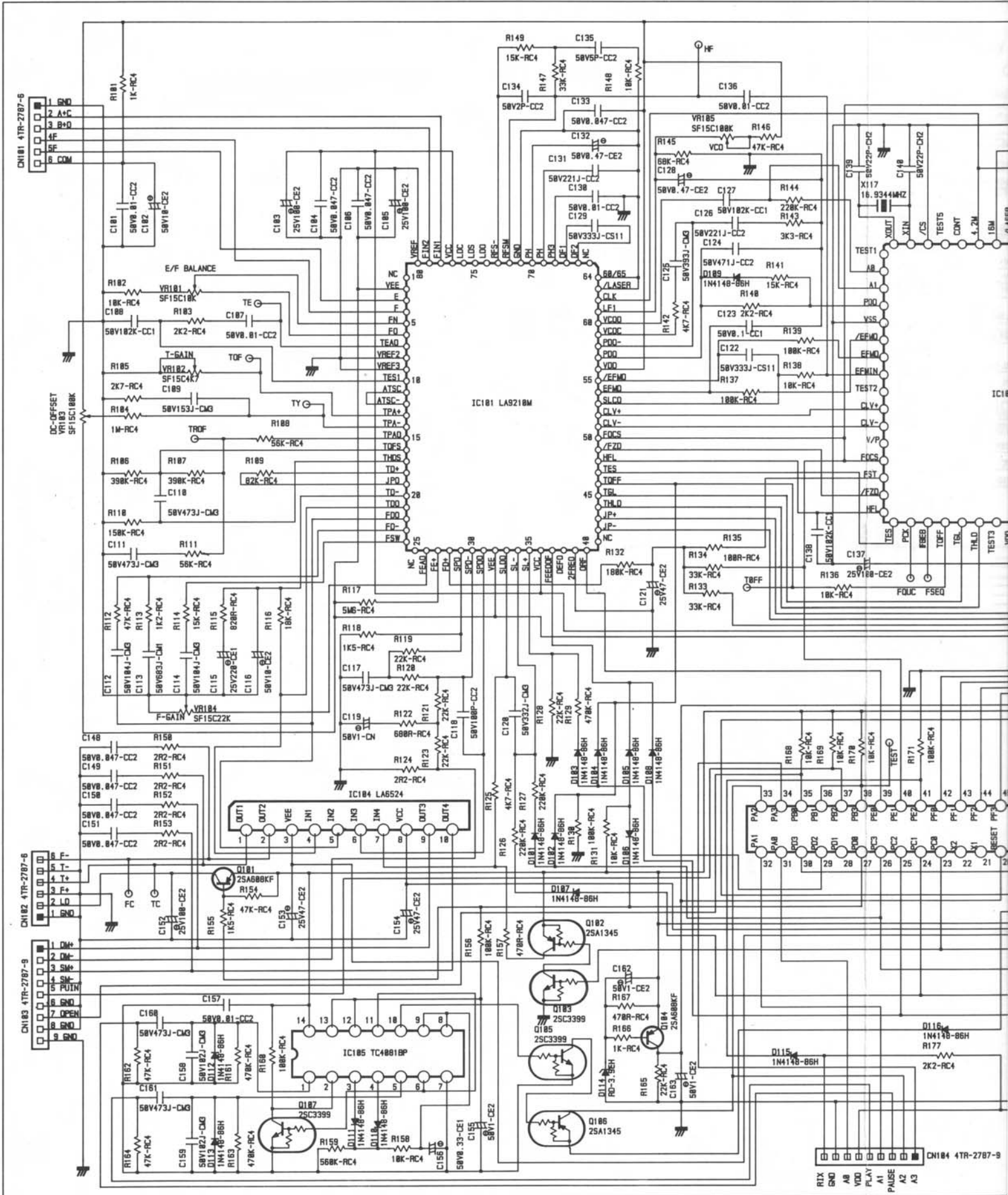
Block Diagram

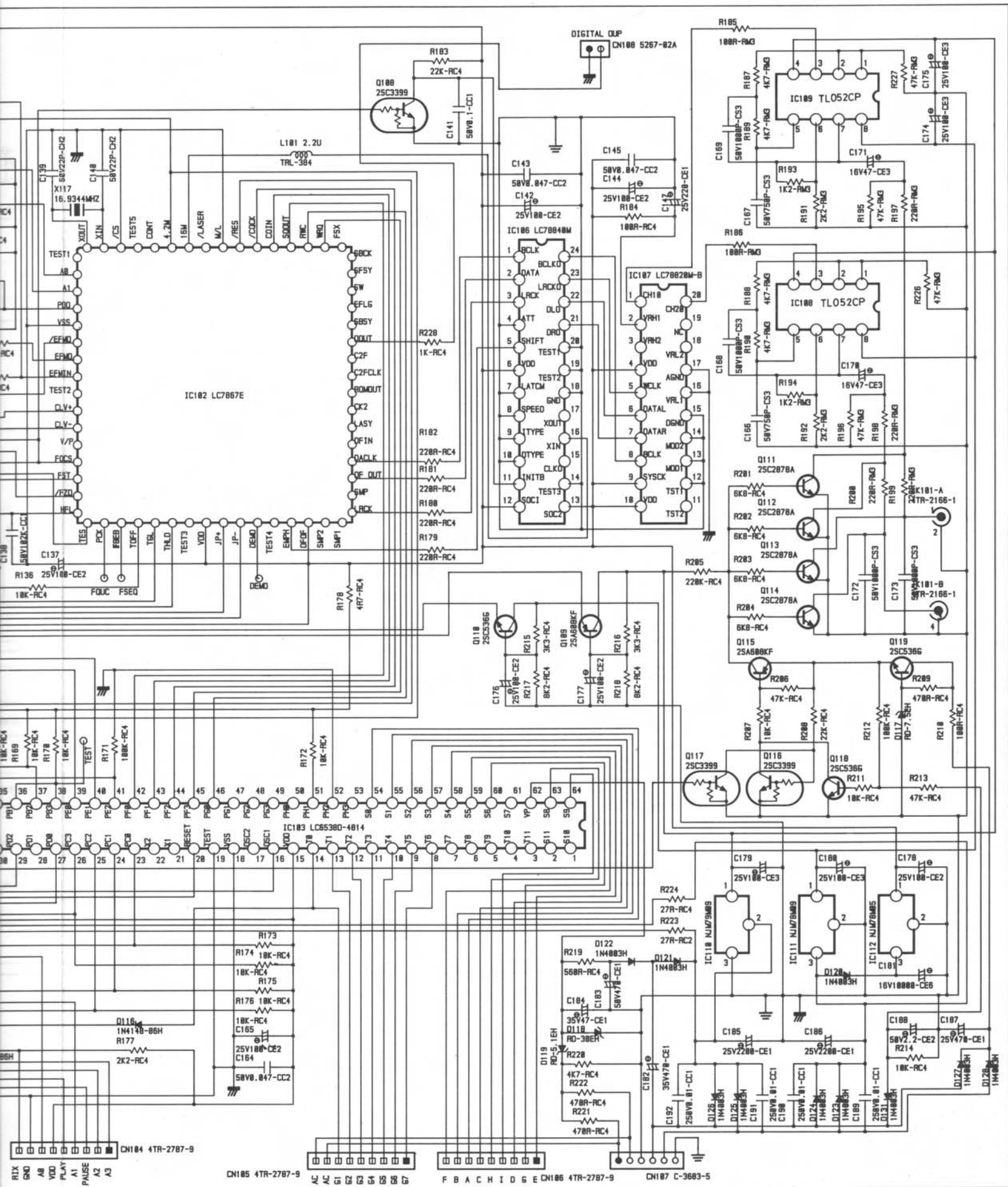




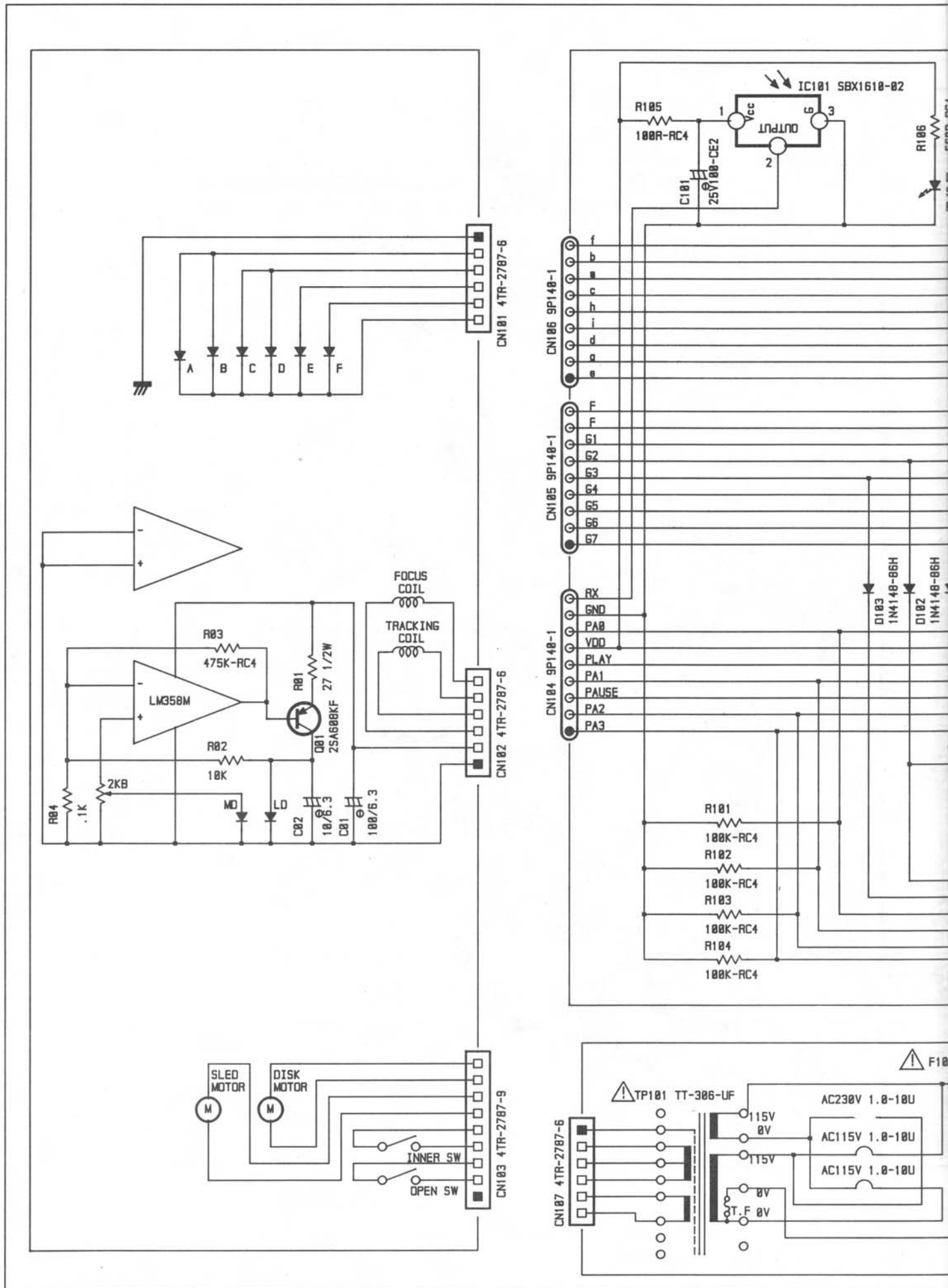
Schematic Diagram

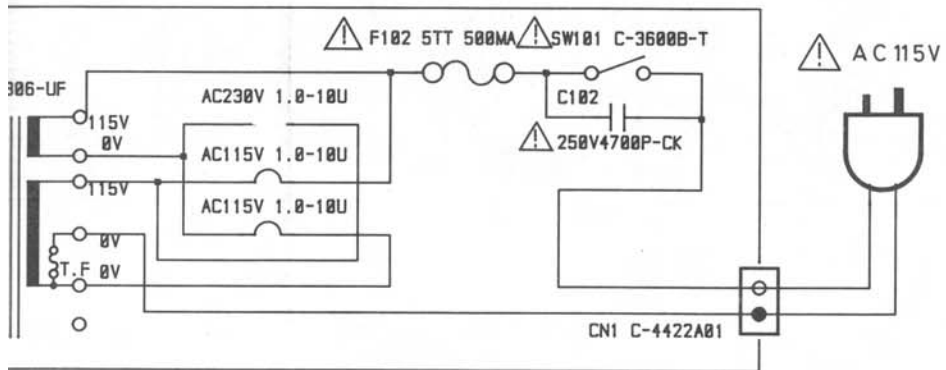
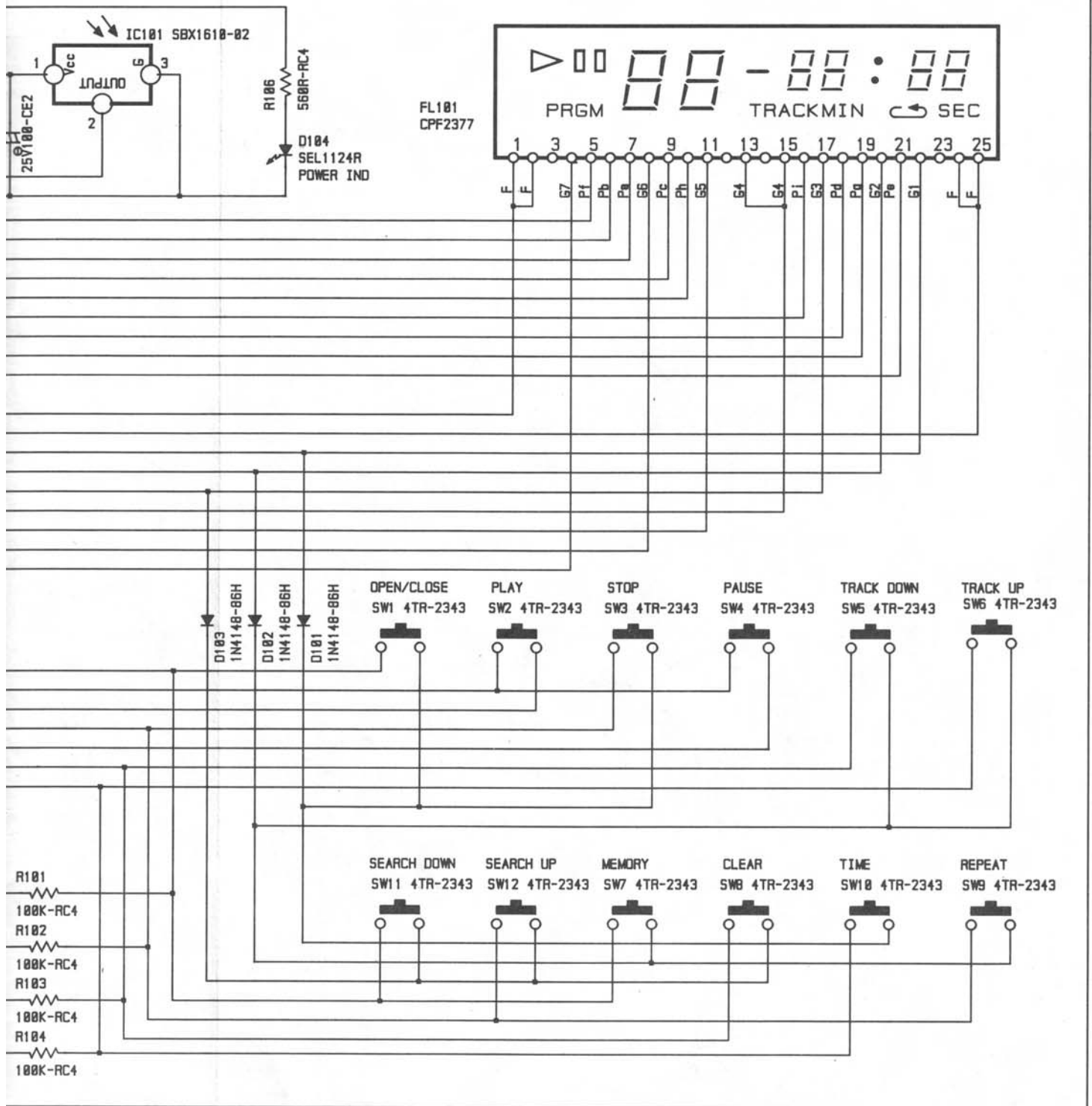
SCHEMATIC DIAGRAM MODEL NO. RCD-940BX (1/2)





SCHEMATIC DIAGRAM MODEL NO. RCD-940BX (2/2)





Printed Circuit Boards

