

ROTEL *hiFi*

RCD-975

Stereo Compact Disc Player

Technical Manual

TABLE OF CONTENTS

Safety Caution.....	1
Chassis Layout.....	1
Specifications.....	2
Wiring Diagram.....	3
Schematic Diagram.....	4
Printed Circuit Boards.....	6
PC Board Ass'y Parts List.....	9

THE ROTEL CO., LTD.

1-36-8, OHOKAYAMA, MEGURO-KU, TOKYO 152, JAPAN

ROTEL ELECTRONICS CO., LTD.

3F-2, NO.35, FU HSING NORTH ROAD, TAIPEI, TAIWAN, REPUBLIC OF CHINA

MN20002279

Safety Caution

PROTECTION OF EYES FROM LASER BEAM DURING SERVICING

THIS SET EMPLOYS A LASER. THEREFORE, BE SURE TO FOLLOW CAREFULLY THE INSTRUCTIONS BELOW WHEN SERVICING.

WARNING !!

WHEN SERVICING, DO NOT APPROACH THE LASER EXIT WITH THE EYE TOO CLOSELY. IN CASE IT IS NECESSARY TO CONFIRM LASER BEAM EMISSION, BE SURE TO OBSERVE FROM A DISTANCE OF MORE THAN 30cm FROM THE SURFACE OF THE OBJECTIVE LENS ON THE OPTICAL PICK-UP BLOCK.

LASER WARNING LABEL

THE LABEL SHOWN BELOW ARE AFFIXED.

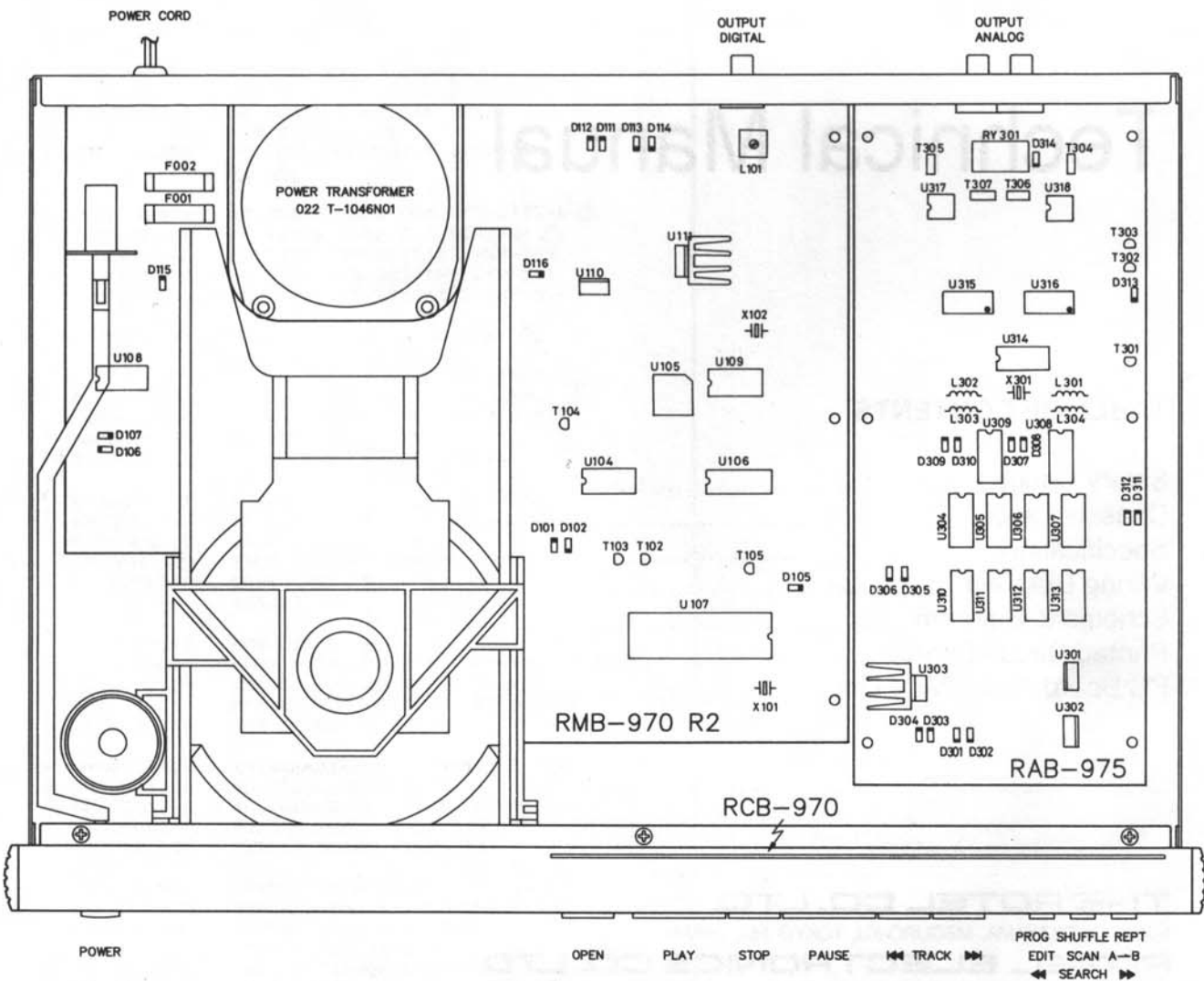
CAUTION

INVISIBLE LASER RADIATION WHEN OPEN, DO NOT STARE INTO BEAM.

DANGER

INVISIBLE LASER RADIATION WHEN OPEN, AVOID DIRECT EXPOSURE TO BEAM.

Chassis Layout

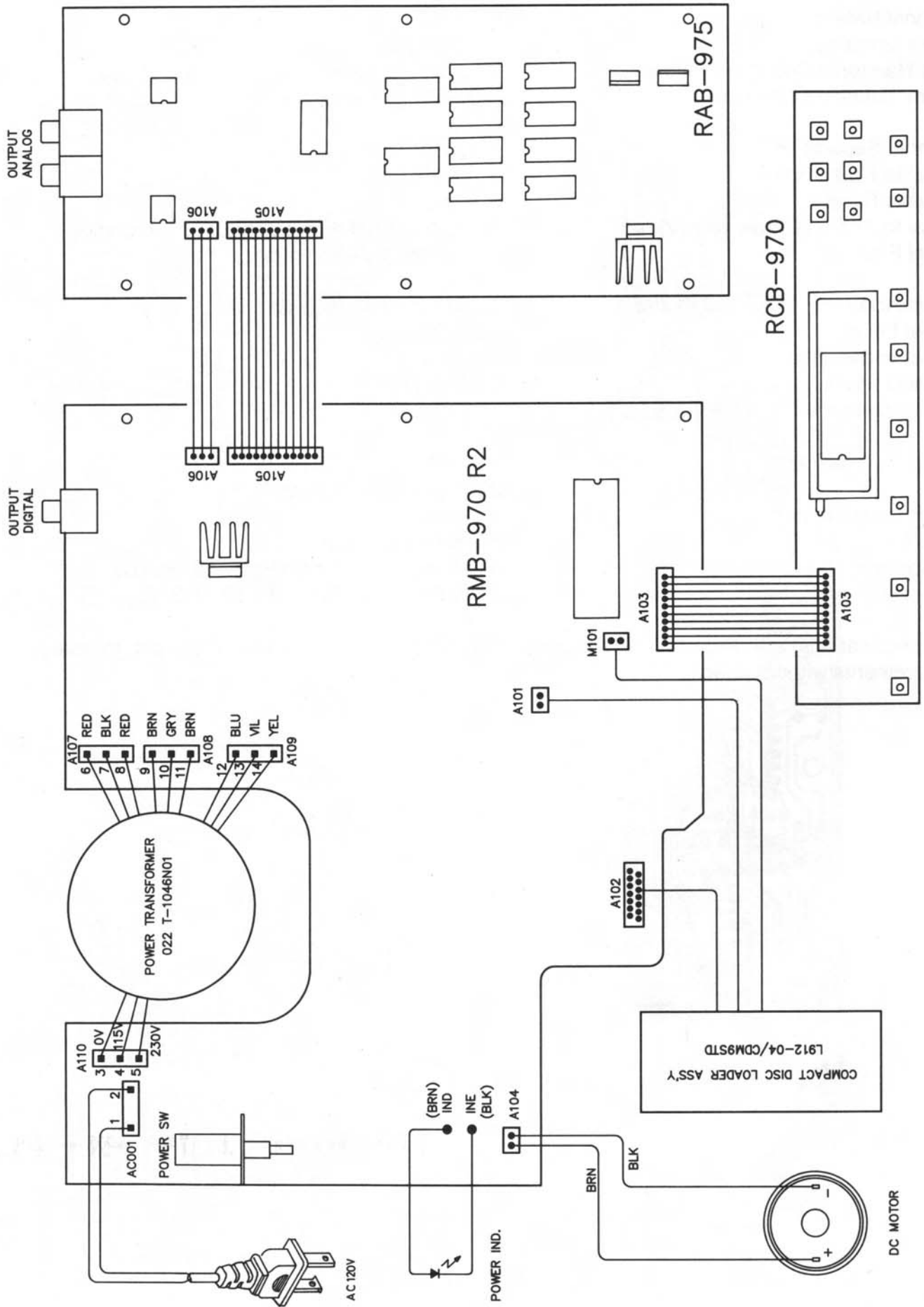


SPECIFICATIONS : RCD 975

Frequency Response	20-20,000 Hz \pm 0.05 dB
Channel Balance	\pm 0.5 dB
Phase Linearity	\pm 0.5 degree
Total Harmonic Distortion + Noise	0.0025% @ 1 kHz
Intermodulation Distortion	0.0025% @ 1 kHz
Channel Separation	> 100 dB @ 1 kHz
Signal to Noise Ratio	> 107 dB
Dynamic Range	> 100 dB
Digital to Analog Converters (2)	Multiplebit Bitstream Continuous Calibration
Digital Filter	20 Bit, 16x Oversampling
Speed Accuracy, Wow and Flutter	Quartz crystal precision
Output Level	2.0 Volts rms
Output Impedance	200 Ohms
Digital Output	0.5 Volt P.P.
Load Impedance	75 Ohms
Power Requirements	115 volts AC 50/60 Hz, 230 volts AC 50/60 Hz
Power Consumption	30 watts
Weight	5.3 Kg's / 11.6 Lbs.
Dimensions	440 mm (W) x 72 mm (H) x 316 mm (D) 17-3/8" (W) x 2-7/8" (H) x 12-7/16" (D)

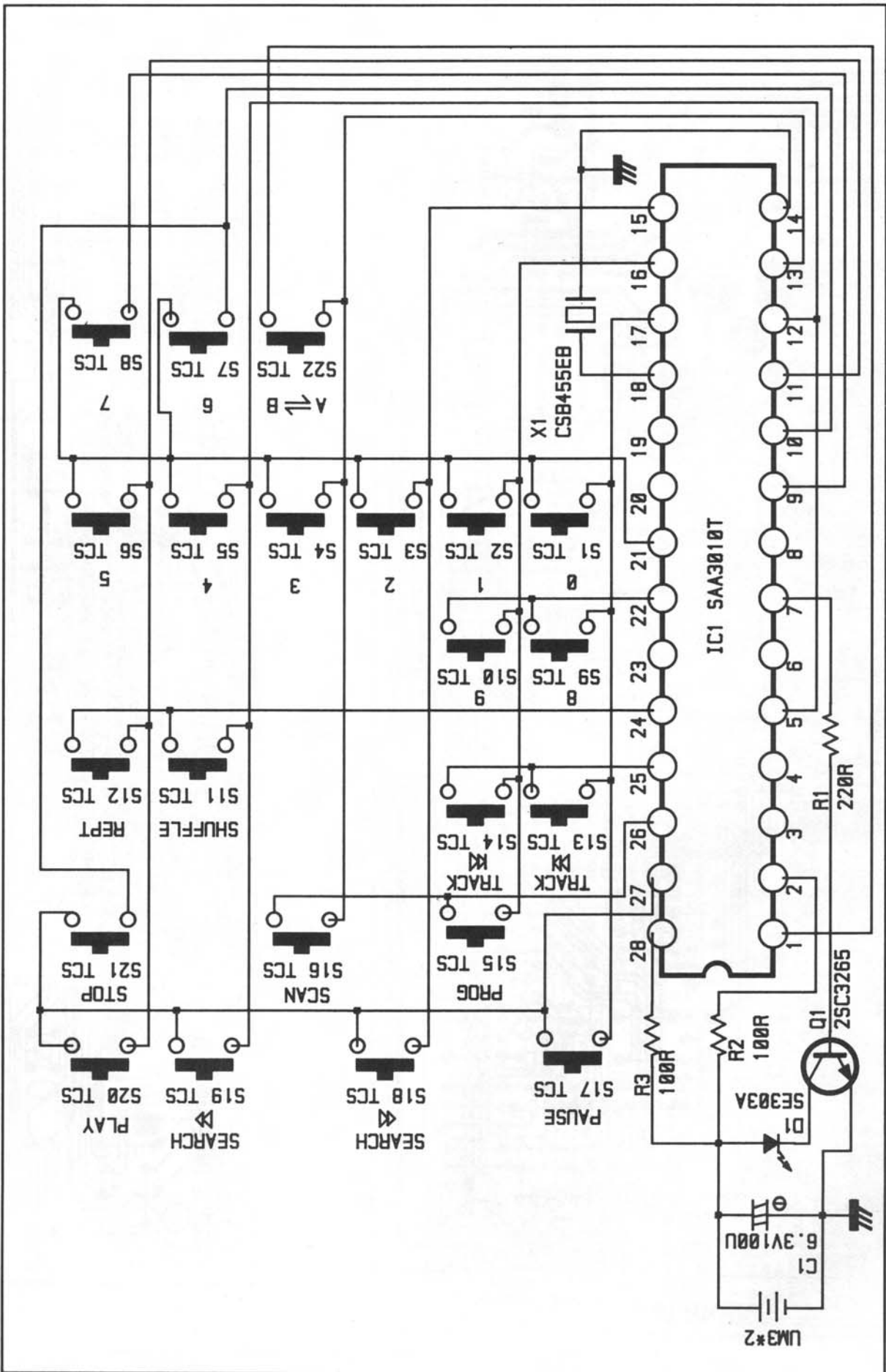
All specifications are accurate at the time of printing. Rotel reserves the right to make improvements without notice.

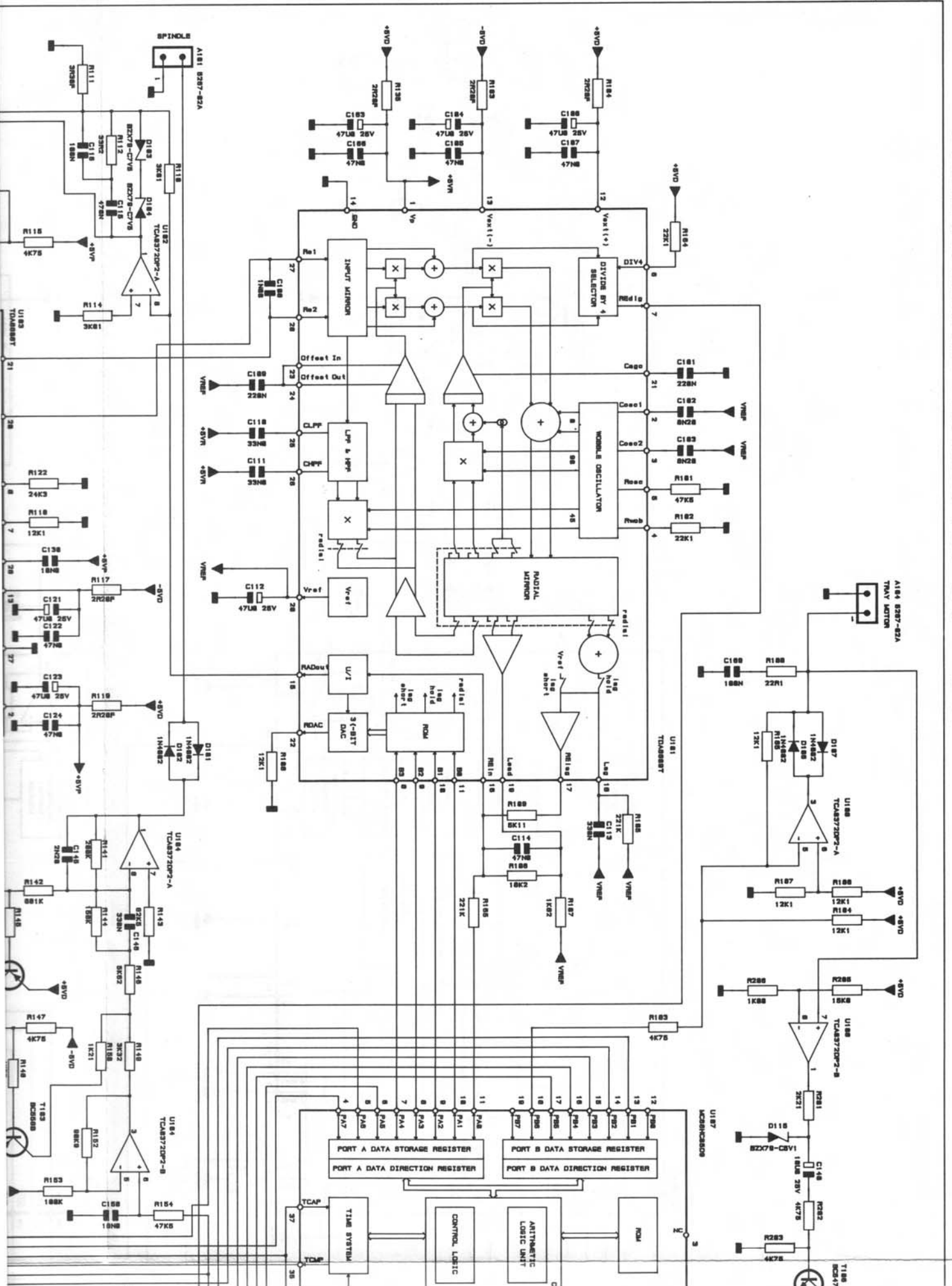
Wiring Diagram



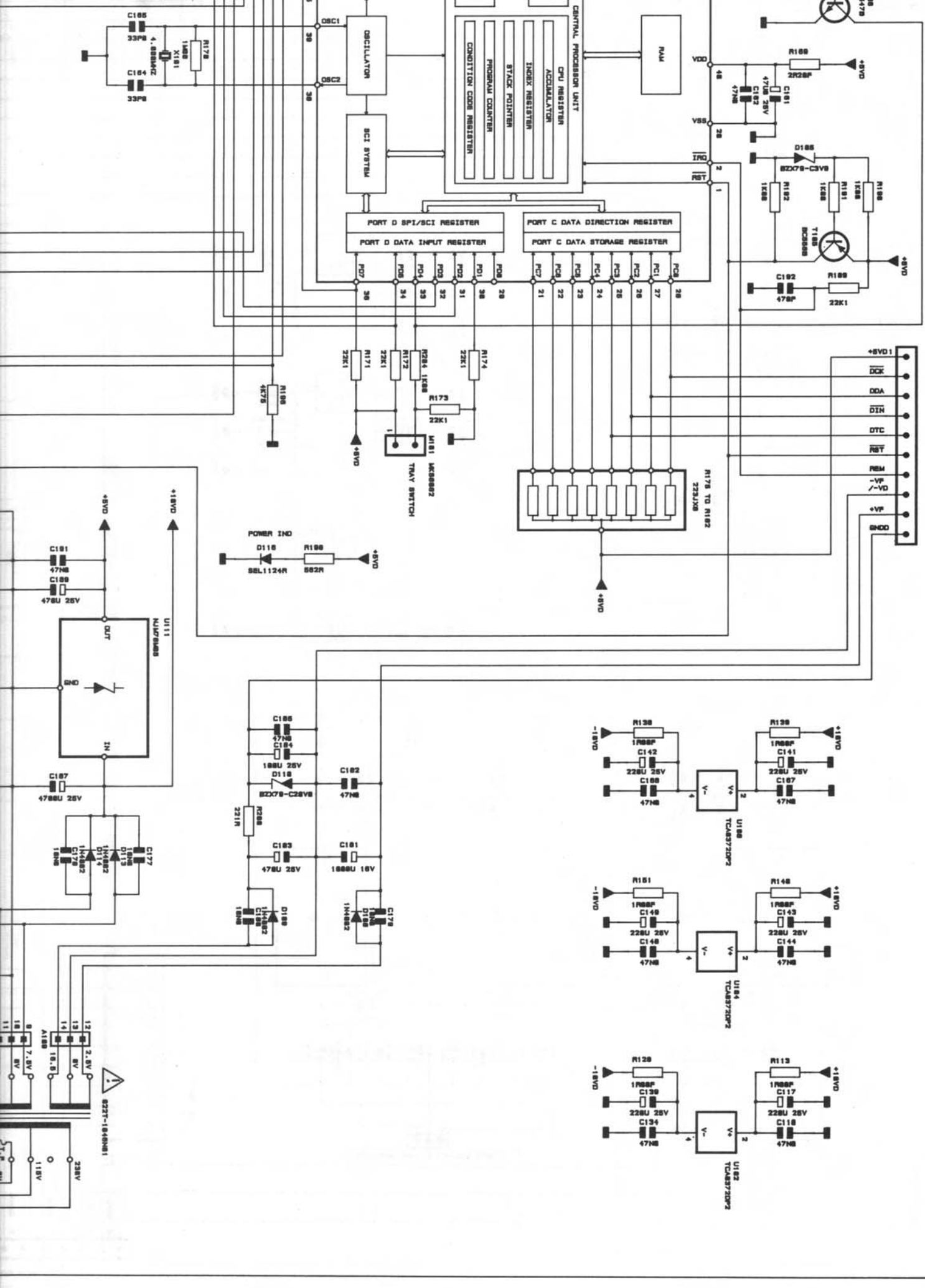
REMOTE CONTROL HANDSET

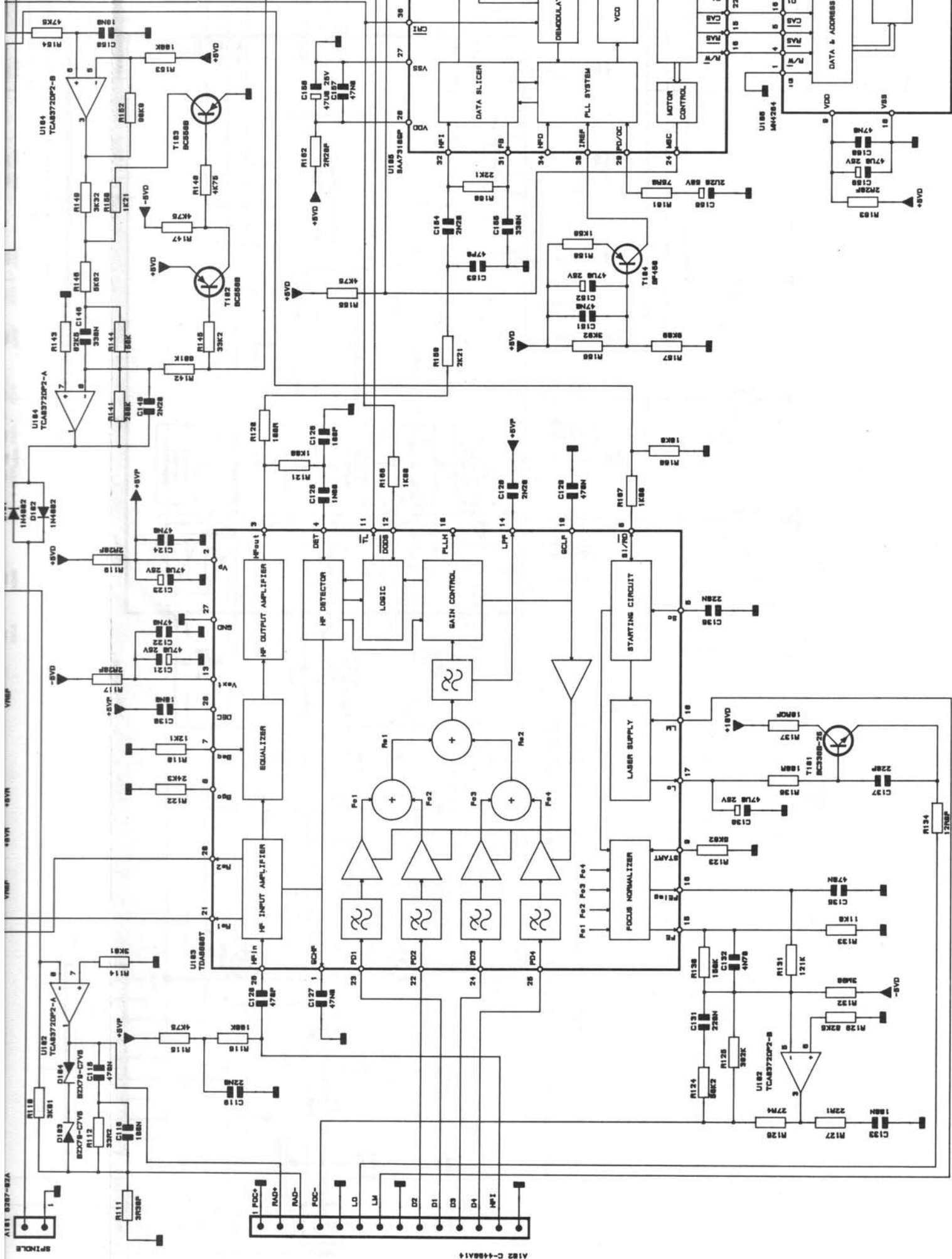
REMOTE CONTROL SCHEMATIC DIAGRAM: RR-924





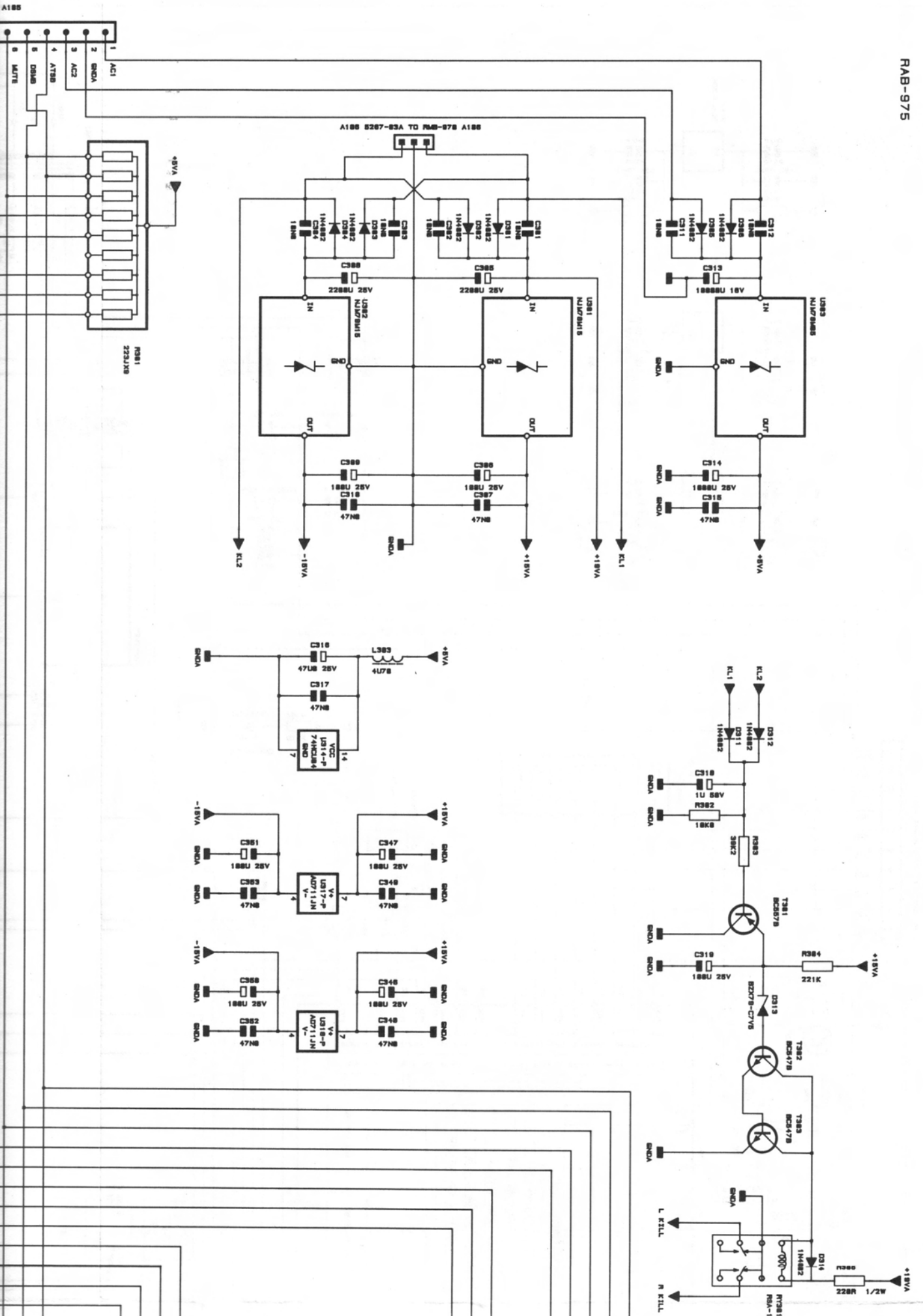
A183 8287-18A TO PCB-878 A183

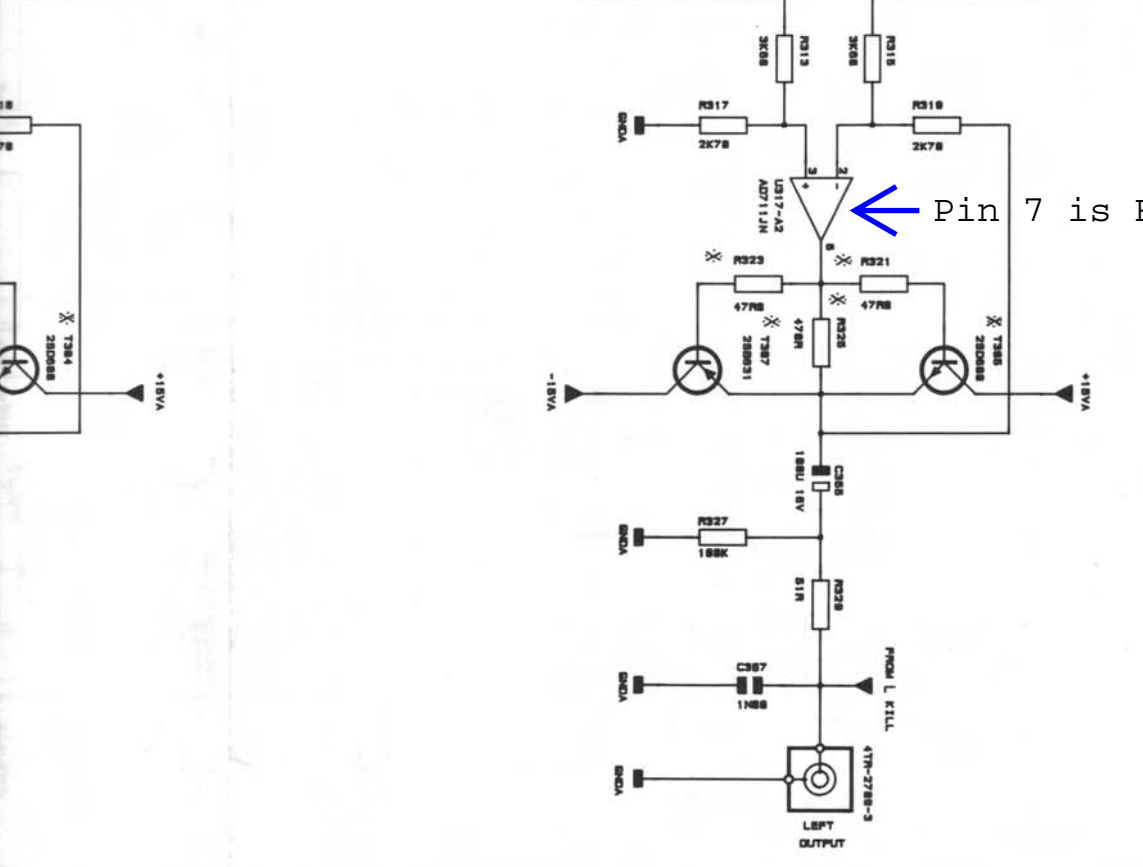
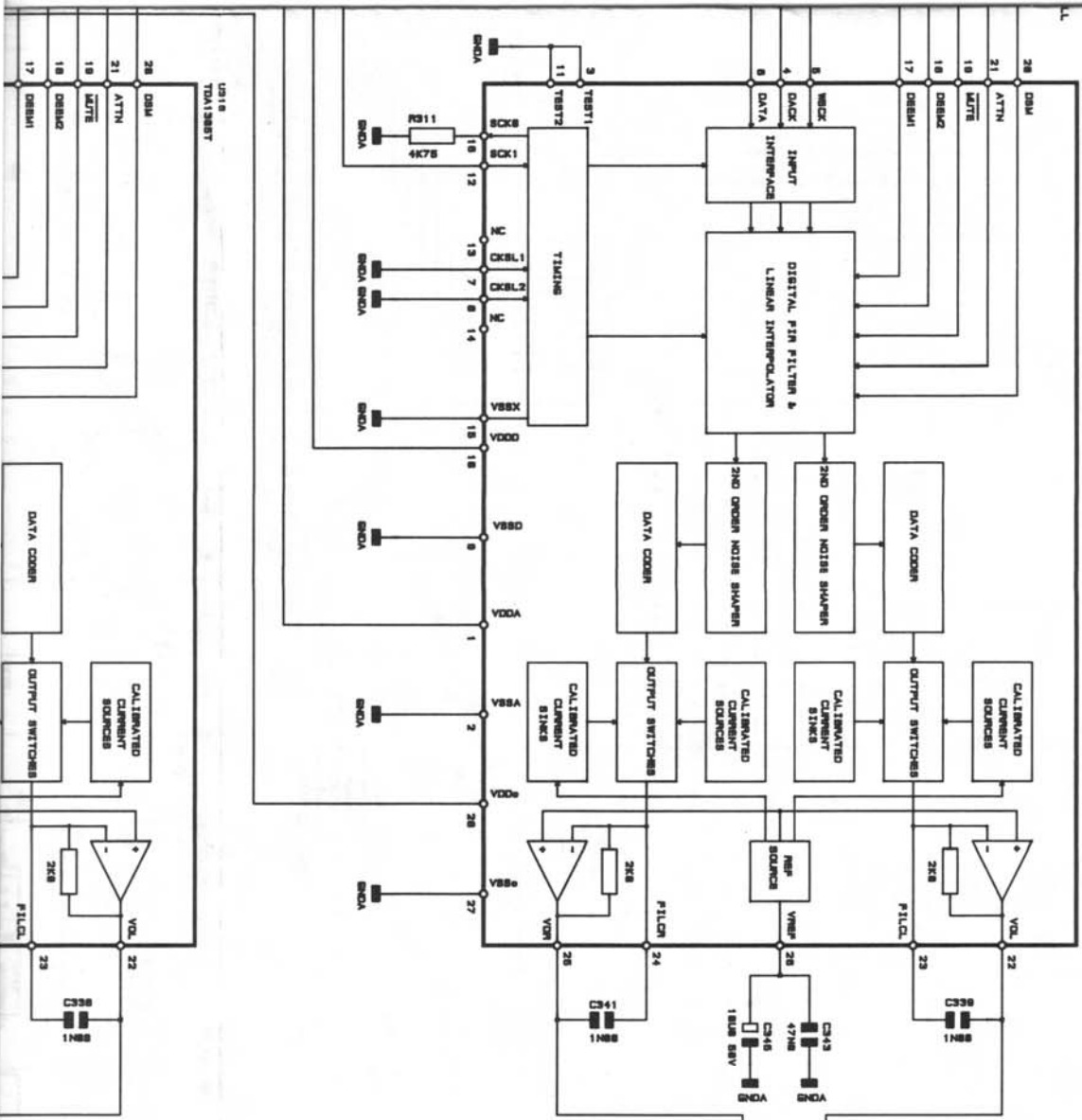




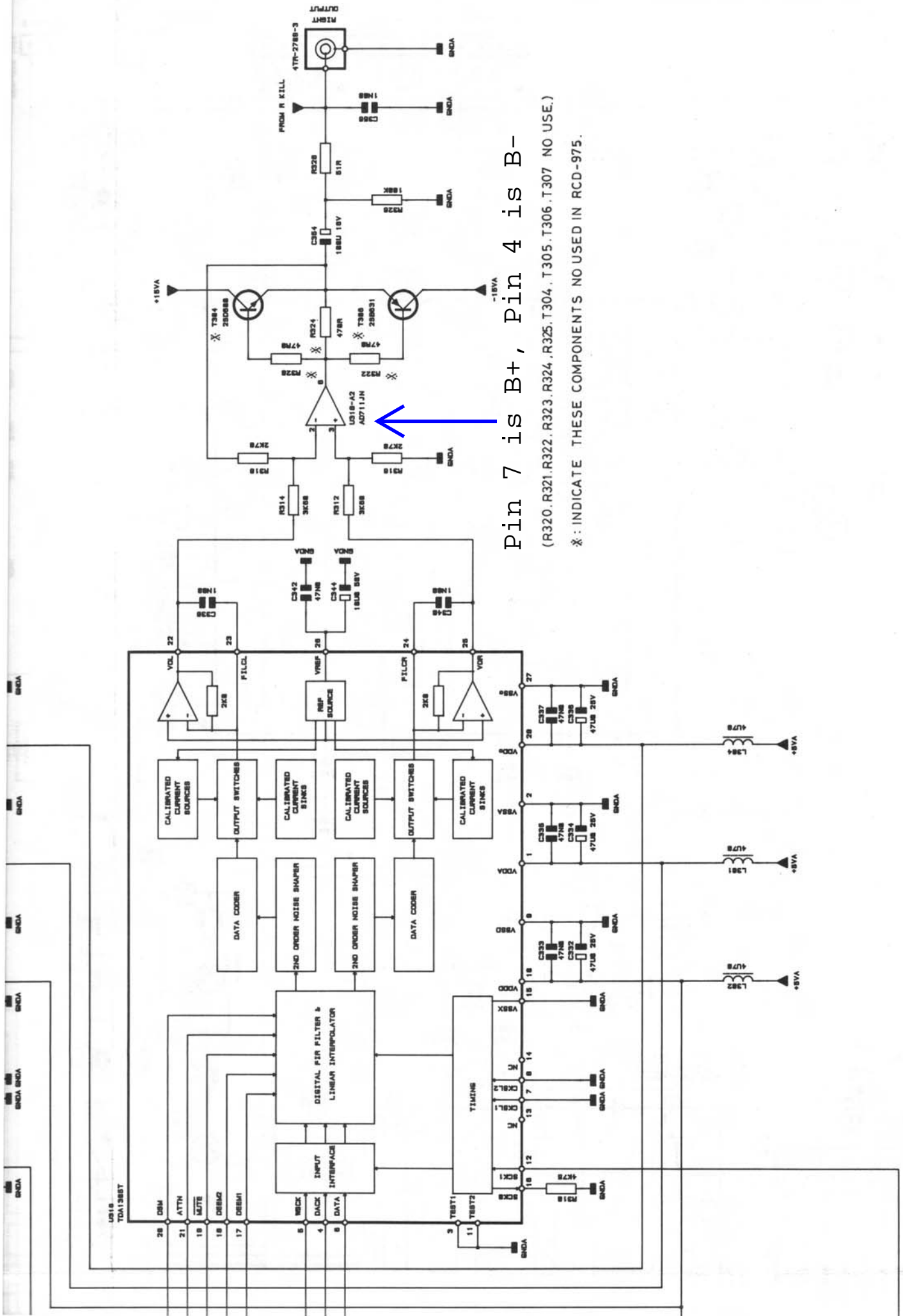
SCHEMATIC DIAGRAM MODEL NO. RCD-975 (2/3)

RAB-975





Pin 7 is B+, Pin 4 is B-



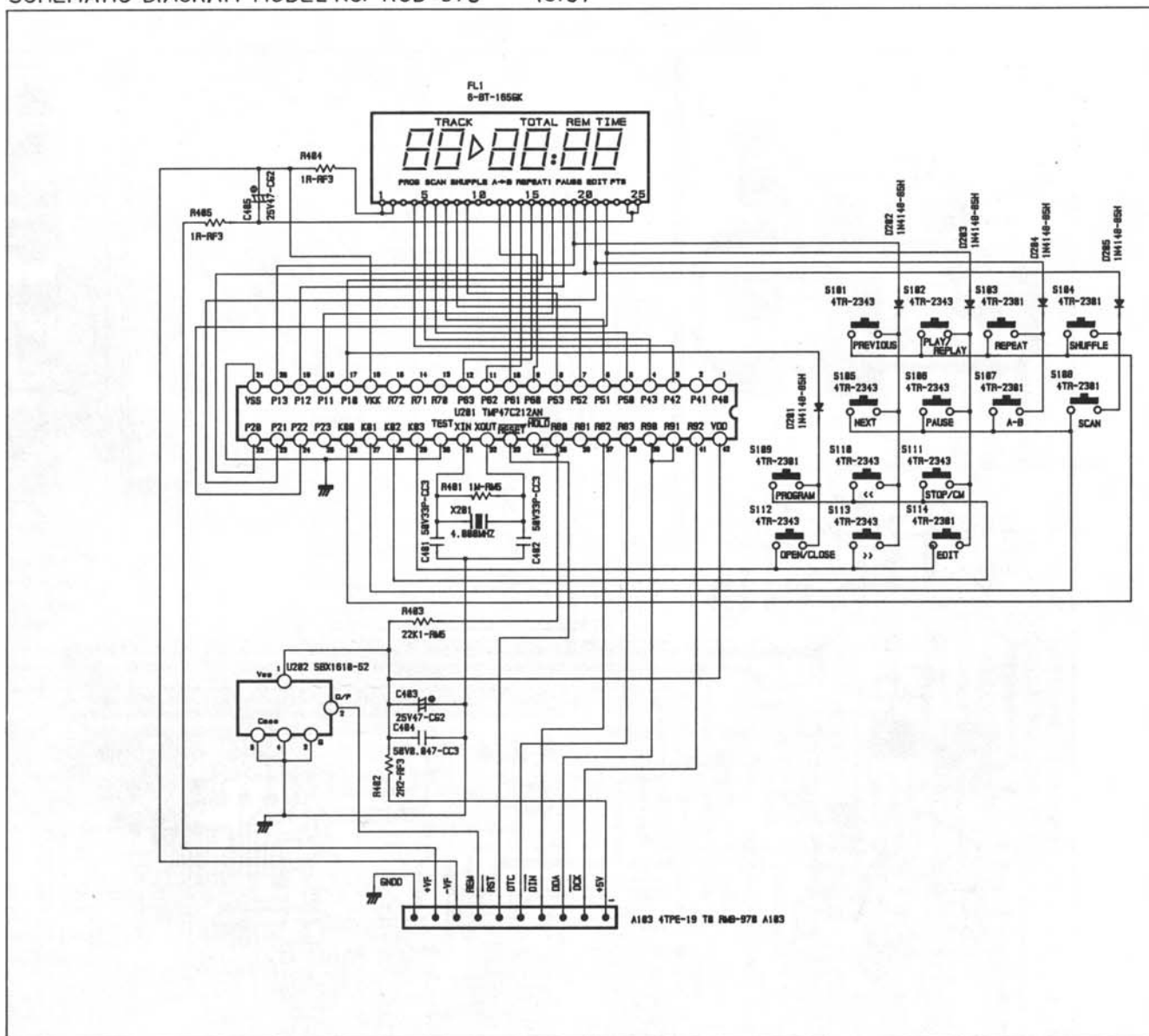
Pin 7 is B+, Pin 4 is B-

(R320, R321, R322, R323, R324, R325, T304, T305, T306, T307 NO USE.)

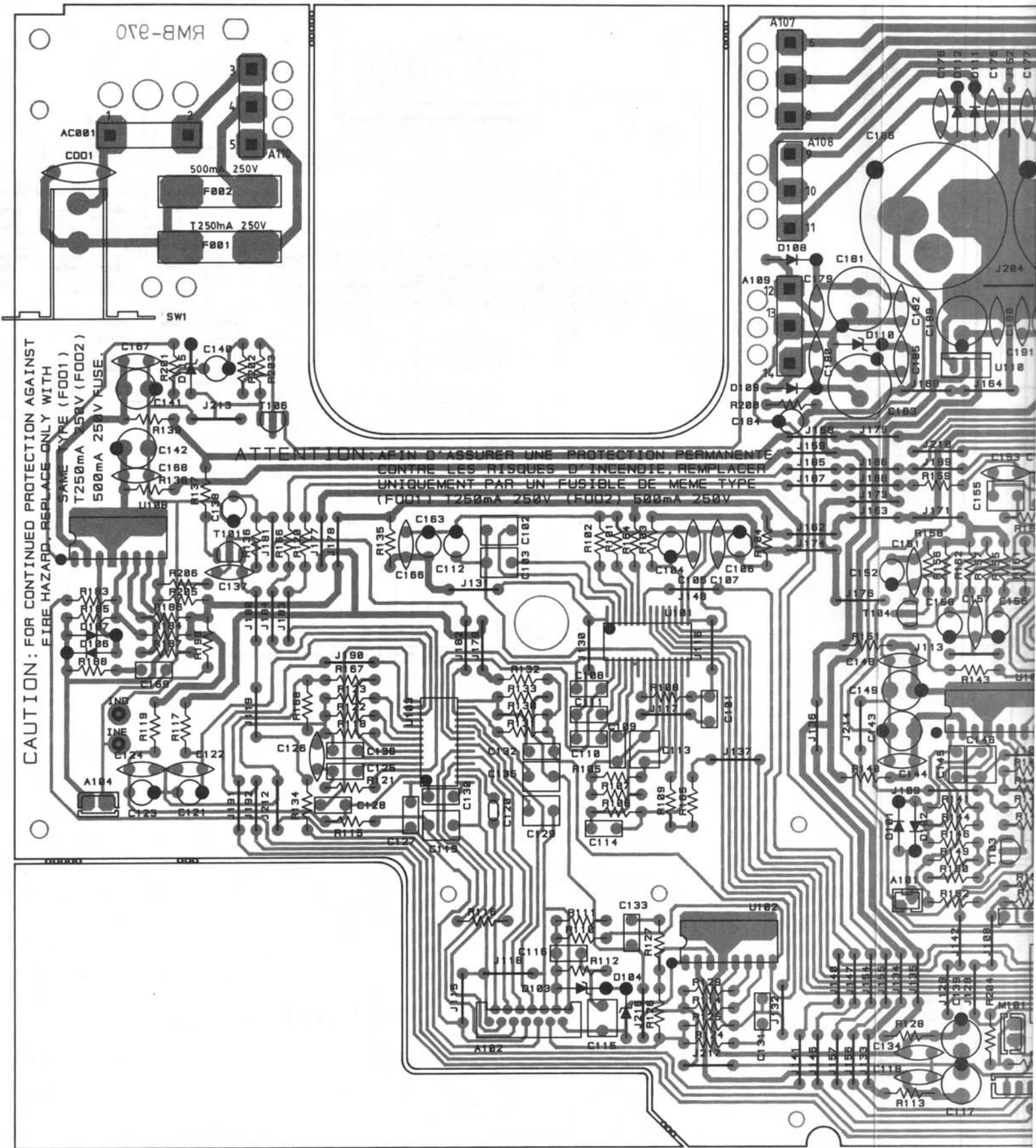
⊗: INDICATE THESE COMPONENTS NOUSED IN RCD-975.

Schematic Diagram

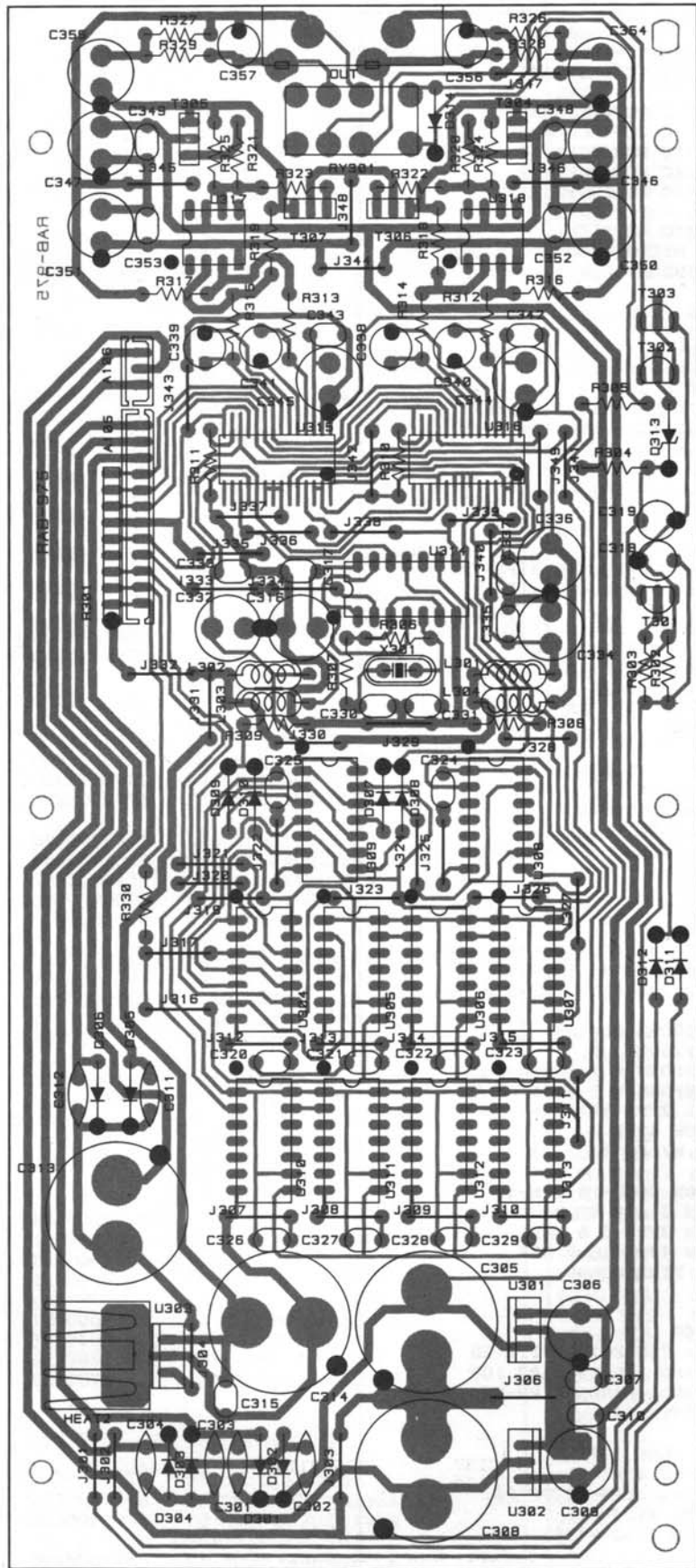
SCHEMATIC DIAGRAM MODEL NO. RCD-975 (3/3)



Printed Circuit Boards



Printed Circuit Boards



Parts List

NOTE: THE COMPONENTS INDENTIFIED BY Δ MARK ARE FOR SAFETY. REPLACE ONLY WITH ORIGINAL PARTS. DO NOT SUBSTITUTE.

SYMBOL	PARTS NO.	DESCRIPTION	SYMBOL	PARTS NO.	DESCRIPTION
	RMB-970 R2	PCB ASSEMBLY			
R101	RM54752810	R, METAL 47.5K 1/4W F	R168	RM51002810	R, METAL 10K 1/4W F
R102	RM52212811	R, METAL 22.1K 1/4W F	R169	RF52208020	R, FUSIBLE NFR252R2 (J) 0.33W
R103, 104	RF52208020	R, FUSIBLE NFR252R2 (J) 0.33W	R170	RM11004717	R, METAL 1M 1/4W F
R105	RM52213815	R, METAL 221K 1/4W F	R171-174	RM52212811	R, METAL 22.1K 1/4W F
R106	RM51822812	R, METAL 18.2K 1/4W F	R175	RN32202081	THICK FILM RS NETWORK SE8223J FU
R107	RM51821819	R, METAL 1.82K 1/4W F	R183	RM54751816	R, METAL 4.75K 1/4W F
R108	RM51212815	R, METAL 12.1K 1/4W F	R184-187	RM51212815	R, METAL 12.1K 1/4W F
R109	RM55111811	R, METAL 5.11K 1/4W F	R188	RM52219817	R, METAL 22.1 1/4W F
R110	RM53011813	R, METAL 3.01K 1/4W F	R189	RM52212811	R, METAL 22.1K 1/4W F
R111	RF53308022	R, FUSIBLE NFR253R3 (J) 0.33W	R190-192	RM51001816	R, METAL 1K 1/4W F
R112	RM53329813	R, METAL 33.2K 1/4W F	R193	RF52208020	R, FUSIBLE NFR252R2 (J) 0.33W
R113	RF51008023	R, FUSIBLE NFR251R (J) 0.33W	R195	RM57509810	R, METAL 75R 1/4W F
R114	RM53011813	R, METAL 3.01K 1/4W F	R196	RM54751816	R, METAL 4.75K 1/4W F
R115	RM54751816	R, METAL 4.75K 1/4W F	R197	RM52212811	R, METAL 22.1K 1/4W F
R116	RM51003813	R, METAL 100K 1/4W F	R198	RM55620810	R, METAL 562 1/4W F
R117	RF52208020	R, FUSIBLE NFR252R2 (J) 0.33W	R200	RM52210814	R, METAL 221 1/4W F
R118	RM51212815	R, METAL 12.1K 1/4W F	R201	RM52211818	R, METAL 2.21K 1/4W F
R119	RF52208020	R, FUSIBLE NFR252R2 (J) 0.33W	R202, 203	RM54751816	R, METAL 4.75K 1/4W F
R120	RM51000812	R, METAL 100 1/4W F	R204	RM51001816	R, METAL 1K 1/4W F
R121	RM51001816	R, METAL 1K 1/4W F	R205	RM51502817	R, METAL 15K 1/4 W F
R122	RM52432811	R, METAL 24.3K 1/4W F	R206	RM51001816	R, METAL 1K 1/4W F
R123	RM55621813	R, METAL 5.62K 1/4W F	C001	CK00000035	SPARK KILLER DE7150F472M Δ
R124	RM55622817	R, METAL 56.2K 1/4W F	C101	CQ62208423	CAP, M.P 63V 220NF
R125	RM53923824	R, METAL 392K 1/4W F	C102, 103	CP58210404	CAP, P.P TKP30-63V822F
R126	RM52749818	R, METAL 27.4K 1/4W F	C104	CE44706643	CAP, ELEC. 25V 47uF
R127	RM52219817	R, METAL 22.1 1/4W F	C105	CC44709422	CAP, CERAMIC DSXE65TKY473Z
R128	RF51008023	R, FUSIBLE NFR251R (J) 0.33W	C106	CE94706643	CAP, ELEC. 25V 47uF
R129	RM58252818	R, METAL 82.5K 1/4W F	C107	CC44709422	CAP, CERAMIC DSXE65TKY473Z
R130	RM51503810	R, METAL 150K 1/4W F	C108	CQ61010421	CAP, M.P 63V 1000PF
R131	RM51213819	R, METAL 121K 1/4W F	C109	CQ62208423	CAP, M.P 63V 220NF
R132	RM53924818	R, METAL 3.9M 1/4W F	C110, 111	CQ63309429	CAP, M.P 63V 33000PF
R133	RM51132819	R, METAL 11.3K 1/4W F	C112	CE94706643	CAP, ELEC. 25V 47uF
R134	RF51209028	R, FUSIBLE NFR2512R (J) 0.33W	C113	CQ63308425	CAP, M.P 63V 330NF
R135	RF52208020	R, FUSIBLE NFR252R2 (J) 0.33W	C114	CQ64709427	CAP, M.P 63V47000PF
R136	RM51000812	R, METAL 100 1/4W F	C115	CQ64708423	CAP, M.P 63V 470NF
R137	RF51809020	R, FUSIBLE NFR2518R (J) 0.33W	C116	CQ61008426	CAP, M.P 63V 100NF
R138-140	RF51008023	R, FUSIBLE NFR251R (J) 0.33W	C117	CE02205255	CAP, ELEC. 25V 220uF
R141	RM52003810	R, METAL 200K 1/4W F	C118	CC44709422	CAP, CERAMIC DSXE65TKY473Z
R142	RM56813813	R, METAL 681K 1/4W F	C119	CQ62209427	CAP, M.P 63V 22000PF
R143	RM58252818	R, METAL 82.5K 1/4W F	C120	CC64711410	CAP, CERAMIC 550V471J NPO
R144	RM51503810	R, METAL 150K 1/4W F	C121	CE94706643	CAP, ELEC. 25V 47uF
R145	RM53322818	R, METAL 33.2K 1/4W F	C122	CC44709422	CAP, CERAMIC DSXE65TKY473Z
R146	RM55621813	R, METAL 5.62K 1/4W F	C123	CE94706643	CAP, ELEC. 25V 47uF
R14, 148	RM54751816	R, METAL 4.75K 1/4W F	C124	CC44709422	CAP, CERAMIC DSXE65TKY473Z
R149	RM53321814	R, METAL 3.32K 1/4W F	C125	CQ61010421	CAP, M.P 63V 1000PF
R150	RM51211811	R, METAL 1.21K 1/4W F	C126	CC11011417	CAP, CERAMIC 50V 100P
R151	RF51008023	R, FUSIBLE NFR251R(J) 0.33W	C127	CQ64709427	CAP, M.P 63V 47000PF
R152	RM59092811	R, METAL 90.9K 1/4W F	C128	CQ62210429	CAP, M.P 63V 2200PF
R153	RM51003813	R, METAL 100K 1/4W F	C129	CQ64708423	CAP, M.P 63V 470NF
R154	RM54752810	R, METAL 47.5K 1/4W F	C130	CQ61009420	CAP, M.P 63V 10000PF
R155	RM54751816	R, METAL 4.75K 1/4W F	C131	CQ62208423	CAP, M.P 63V 220NF
R156	RM53921817	R, METAL 3.92K 1/4W F	C132	CQ64710429	CAP, M.P 63V 4700PF
R157	RM59091818	R, METAL 9.09K 1/4W F	C133	CQ61008426	CAP, M.P 63V 100NF
R158	RM51581810	R, METAL 1.58K 1/4W F	C134	CC44709422	CAP, CERAMIC DSXE65TKY473Z
R159	RM52211818	R, METAL 2.21K 1/4W F	C135	CQ64708423	CAP, M.P 63V 470NF
R160	RM52212811	R, METAL 22.1K 1/4W F	C136	CQ62208423	CAP, M.P 63V 220NF
R161	RM57509810	R, METAL 75R 1/4W F	C137	CC52211425	CAP, CERAMIC 50V 220PF
R162, 163	RF52208020	R, FUSIBLE NFR252R2 (J) 0.33W	C138	CE94706643	CAP, ELEC. 25V 47uF
R164	RM52212811	R, METAL 22.1K 1/4W F	C139	CE02205255	CAP, ELEC. 25V 220uF
R165	RM52213815	R, METAL 221K 1/4W F	C140	CE41006500	CAP, ELEC. 50V 10uF
R166, 167	RM51001816	R, METAL 1K 1/4W F	C141-143	CE02205255	CAP, ELEC. 25V 220uF
			C144	CC44709422	CAP, CERAMIC DSXE65TKY473Z
			C145	CQ62210429	CAP, M.P 63V 2200PF
			C146	CQ63308425	CAP, M.P 63V 330NF
			C148	CC44709422	CAP, CERAMIC DSXE65TKY473Z
			C149	CE02205255	CAP, ELEC. 25V 220uF

Parts List

SYMBOL	PARTS NO.	DESCRIPTION
C150	CQ61809423	CAP,M.P 63V 18000PF
C151	CC44709422	CAP,CERAMIC DSXE65TKY473Z
C152	CE94706643	CAP,ELEC. 25V 47uF
C153	CC54712429	CAP,CERAMIC 50V 47P
C154	CQ62210429	CAP,M.P 63V 2200PF
C155	CQ63308425	CAP,M.P 63V 330NF
C156	CE92207441	CAP,ELEC. 50V 2.2uF
C157	CC44709422	CAP,CERAMIC DSXE65TKY473Z
C158,159	CE94706643	CAP,ELEC. 25V 47uF
C160	CC44709422	CAP,CERAMIC DSXE65TKY473Z
C161	CE94706643	CAP,ELEC. 25V 47uF
C162	CC44709422	CAP,CERAMIC DSXE65TKY473Z
C163	CE94706643	CAP,ELEC. 25V 47uF
C164,165	CC63312416	CAP,CERAMIC T50V330J
C166	CC44709422	CAP,CERAMIC DSXE65TKY473Z
C168	CC44709422	CAP,CERAMIC DSXE15TKY473Z
C169	CQ61008426	CAP,M.P 63V 100NF
C170	CE94706643	CAP,ELEC. 25V 47uF
C171	CC44709422	CAP,CERAMIC DSXE65TKY473Z
C174	CQ61008426	CAP,M.P 63V 100NF
C175-180	CC01009256	CAP,CERAMIC 250V 0.01uF Δ
C181	CE01004163	CAP,ELEC. 16V 1000uF Δ
C182	CC44709422	CAP,CERAMIC DSXE65TKY473Z
C183	CE04705255	CAP,ELEC. 25V 470uF
C184	CE41005257	CAP,ELEC. 25V 100uF
C185	CC44709422	CAP,CERAMIC DSXE65TKY473Z
C186,187	CE14704259	CAP,ELEC. 25V 1700uF
C188,189	CE04705255	CAP,ELEC. 25V 470uF
C190,191	CC44709422	CAP,CERAMIC DSXE65TKY473Z
C192	CC64711410	CAP,CERAMIC T50V 471J
C193	CQ61008426	CAP,M.P 63V 100NF
D101,102	DD80000033	DIODE IN4002-TB
D103,104	DD20000375	DIODE BZX79-C7V5
D105	DD20000399	DIODE BZX79-C3V9
D106-109	DD80000033	DIODE IN4002-TB
D110	DD20000429	DIODE BZX79C-C20
D111-114	DD80000033	DIODE UN4002-TB
D115	DD20000430	DIODE BZX79-C5V1
X101	DD60000350	CERAMIC RESONATOR 4.0000MHZ
T101	TR70000066	TRANSISTOR BC338-25
T102,103	TR70000110	TRANSISTOR BC558B
T104	TR70000121	TRANSISTOR BF450
T105	TR70000110	TRANSISTOR BC558B
T106	TR70000194	TRANSISTOR BC547B
U101	IC00002879	IC TDA8809T/C2
U102	IC00002806	IC TCA0372/DP2
U103	IC00002867	IC TDA8808T/C3
U104	IC00002806	IC TCA372/DP2
U105	IC00002909	IC SAA7310GP
U106	IC00002764	IC MN4264P-15
U107	IC00003501	IC MC68HC05D9P/P132
U108	IC00002806	IC TCA0372/DP2
U109	IC00003537	IC PCF2705P
U110	IC00002778	IC NJM79M05A
U111	IC00000615	IC NJM78M05
L101	LC23850008	COIL TRL-385
SW1	SH40000120	POWER SW C-3600B-T
RCB-970 PCB ASSEMBLY		
D201-205	DD80000021	DIODE IN4148-86
U201	IC00003598	IC TMP47C212AN/3312
U202	IC00002960	IC REMOTE RECEIVER SBX1610-52
FL1	DD40001385	FL TUBE 6-BT-165GK
X201	DD60000350	CERAMIC RESONATOR 4.0000MHZ
C401-402	CC53312419	CAP,CERAMIC 50V 33P
C403	CE44706258	CAP,ELEC. 25V 47uF
C404	CC44709422	CAP,CERAMIC DSXE65TKY473Z
C405	CE44706258	CAP,ELEC. 25V 47uF

SYMBOL	PARTS NO.	DESCRIPTION
R401	RM51004817	R,METAL 1M 1/4W F
R402	RF52208020	R,FUSIBLE NFR252R2 0.33W
R403	RM52212811	R,METAL 22.1K 1/4W F
R404,405	RF51008023	R,FUSIBLE NFR251R 0.33W
S101,102	SH60000240	KEY BOARD SW 4TR-2343
S103,104	SH60000380	KEY BOARD SW 4TR-3185
S105,106	SH60000240	KEY BOARD SW 4TR-2343
S107-109	SH60000380	KEY BOARD SW 4TR-3185
S101-113	SH60000240	KEY BOARD SW 4TR-2343
S114	SH60000380	KEY BOARD SW 4TR-3185
RAB-975 PCB ASSEMBLY		
R301	RN32202093	THICK FILM RS NETWORK
R302	RM51002810	R,METAL 10K 1/4W F
R303	RM53922810	R,METAL 39.2K 1/4W F
R304	RM52213815	R,METAL 221K 1/4W F
R305	RM92200923	R,METAL 220 1/2W J
R306	RM11004717	R,METAL MRS251M 0.6W
R307	RM52211818	R,METAL 2.21K 1/4W F
R308,309	RM51001816	R,METAL 1K 1/4W F
R310,311	RM54751816	R,METAL 4.75K 1/4W
R312-315	RH13601019	R,METAL 03K6 F T-1
R316-319	RH12701018	R,METAL 02K7 F T-1
R320-323	RM14709710	R,METAL MRS2547R 0.6W
R324,325	RM14700718	R,METAL MRS25470R 0.6W
R326,327	RM11003713	R,METAL MRS25100K 0.6W
R328,329	RM15109714	R,METAL MRS2551R 0.6W
R330	RM54759815	R,METAL 47.5 F 1/4W
C301-304	CC01009256	CAP,CERAMIC 250V 0.01uF Δ
C305	CE02204251	CAP,ELEC. 25V 2200uF Δ
C306	CE51005679	CAP,ELEC. 25BGF100M
C307	CC64709439	CAP,LAYER CER. 064 T50V473K
C308	CE02204251	CAP,ELEC. 25V 2200uF Δ
C309	CE51005679	CAP,ELEC. 25BGF100M
C310	CC64709439	CAP,LAYER CER. 046 T50V473K
C311,312	CC01009256	CAP,CERAMIC-250V 0.01uF Δ
C313	CE51003774	CAP,ELEC. 16V 10000uF Δ
C314	CE71004255	CAP,ELEC. 041 ECEA1EF102
C315,317	CC64709439	CAP,LAYER CER. 046 T50V473K
C316	CE64706677	CAP,ELEC. 25BGF47M
C318	CE41007503	CAP,ELEC 50V 1uF
C319	CC47005257	CAP,ELEC. 25V 100uF
C320-329	CC64709439	CAP,LAYER CER T50V 473K
C330,331	CC63312416	CAP,LAYER CER. 046 T50V330J
C332	CE64706677	CAP,ELEC. 25BGF47M
C333	CC64709439	CAP,LAYER CER. T50V 473K
C334,336	CE64706677	CAP,ELEC. 25BGF47M
C335,337	CC64709439	CAP,LAYER CER. T50V 473K
C338-341	CS31010317	CAP,POLYSTYRENE 160V 1000PF
C342,343	CC64709439	CAP,LAYER CER. T50V 473K
C344,345	CE51006477	CAP,ELEC. 25BGF10M
C346,347	CE51005679	CAP,ELEC. 25BGF100M
C348,349	CC64709439	CAP,LAYER CER. T50V 473K
C350,351	CE51005679	CAP,ELEC. 25BGF100M
C352,353	CC64709439	CAP,LAYER CER. T50V 473K
C354,355	CE61005743	CAP,ELEC. 16BGF100M
C356,357	CS31010317	CAP,POLYSTYRENE 160V 1000PF
D301-306	DD80000033	DIODE IN4002-TB
D307-310	DD80000021	DIODE IN4148-86
D311,312	DD80000033	DIODE IN4002-TB
D313	DD20000375	DIODE ZENER BZX79-C7V5
D314	DD80000033	DIODE IN4002-TB
X301	DD60000337	CRYATAL OSC. 11.2896MHZ
T301	TR70000200	TRANSISTOR BC557B
T302,303	TR70000194	TRANSISTOR BC547B
T304,305	TR40000069	TRANSISTOR 2SD600KE/KF
T306,307	TR10000047	TRANSISTOR 2SB631KE/KF
U301	IC00001267	IC NJM78M15

SYMBOL	PARTS NO.	DESCRIPTION
U302	IC00001565	IC NJM79M15
U303	IC00000615	IC NJM78M05
U304	IC00003835	IC TC74HC74AP
U305-308	IC00003847	IC TC74HC164AP
U309	IC00003823	IC TC74HC08AP
U310-313	IC00003847	IC TC74HC164AP
U314	IC00003689	IC TC74HCU04AP
U315,316	IC00003914	IC TDA1305T2X/2Y
U317,318	IC00003021	IC AD711JN
L301-304	LM00000486	MICRO INDUCTOR 4.7UH
RY301	LY00000459	RELAY RSA-12 Δ
OTHERS		
AB00000791	BOTTOM BOARD 2TPE-18	
AF50000066	FRONT CHASSIS 2TPE-3	
AR50000137	PRINTED REAR CHASSIS TRP-656	
AS01000464	SIDE CHASSIS (L) 3TPE-16#1	
AS02000277	SIDE CHASSIS (R) 3TPE-16#2	
DI00001399	COMPACT DISC LOADER ASS'Y L912-04/CDM-9 STD	
FT00000229	PLASTIC FOOT (BK) 4TSH-19#2 50F \times 14H	
OM70000442	POWER BUTTON CONNECTOR 3TPE-7A	
SB00001113	P.V.C SHIELD PLATE 4TPE-12	
SC00000027	AC CORD STOPPER SR-4N-4 Δ	
SG00000950	EVA SPONGE 4TR-2871#1 60F	
SP10007112	P.C.B SUPPORT 3TPE-17	
SP10007239	P.T SUPPORT 3TPE-23	
SR00001333	SILICON RUBBER SPACER 4TR-3131 1.5T	
CD00000218	AC CORD SPT-2 AWG#18 4TR-670#4-U,C,A,J Δ	
CD00000048	AC POWER CORD 4TR-1037 H,E,Y1,Y2,S1 Δ	
CD00000528	AC CORD HO3VVH2-F 4TR-3083 K1 Δ	
CD00000322	AC POWER CORD OKA 4TR-2757-D Δ	
CD00000115	AC POWER CORD C-3763-T-G1 Δ	
NP00001949	AC 120V 4TR-2828A#1 TNP-382	
NP00002012	AC 110V 4TR-2828A#6 TNP-391	
NP00002140	AC 240V 4TR-2828A#11 TNP-398	
FU25000016	FUSE 250V 500mA UL/CSA Δ	
FU23000384	FUSE 250V T250MA Δ	
PT00000400	POWER TRANSFORMER T-1046A01 Δ	
PT00000370	POWER TRANSFORMER T-1046N01 Δ	
AA50000156	FRONT PANEL 2TPE-1#2 TFP-724	
AW00000745	PANEL WINDOW 4TPE-8	
BU00001145	POWER RING W/LED 4TQF-13	
KB20002681	POWER BUTTON 4TQF-15 14 \times 14	
KB20002796	TACT BUTTON 3 KEY 3TQF-2	
KB20003119	TACT BUTTON 3TPE-6 6 KEY	
KB20003120	TACT BUTTON 4TPE-10 2 KEY	
OM10001260	ORNAMENTAL SIDE BOARD 4TR-2797#1	
DD40000095	LED SEL1224R	
OM70000065	PUSH BUTTON CONNECTOR 4TTL-15	
SN00000179	BUTTON SPRING 4TR-1988A#2 10F	
AG00000457	REMOTE CONTROL HANDSET RR-924	
AU00001250	TOP COVER 3TTE-6#4	
OM10001727	CD PLASTIC DOOR 3TPE-5	
OM10001776	CD ALUM. DOOR 4TPE-11	
OM10001788	FL ORNAMENTAL PLATE 4TPE-9#1	
OM70000168	FILTER BOARD 4TSJ-9#2	
OM70000193	FILTER BOARD 4TSJ-9#3]	
SR00000882	UPPER COVER SPACER 4TR-2418	
MN10003517	OWNER'S MANUAL RCD-975	
PLO0001300	STYROL SIDE MOULDING 2TPE-22A#2 TZ-194B	
TN10004621	INSIDE CARTON RCD-975 4TPE-14#1	