

Quality Uncompromised

ROTEL

Technical Manual

STEREO COMPACT DISC PLAYER **RCD 990**

Specification

Frequency Response	5-20,000 Hz, ± 0.5 dB
Dynamic Range	> 100 dB
Separation	> 110 dB, full bandwidth
Signal to Noise Ratio	> 115 dB, (A Wtd.)
Total Harmonic Distortion	< 0.0035%
Linearity (w/o dither)	± 1.0 dB at -90 dB
(with dither, 1-7)	± 0.5 dB at -90 dB
Analog Output Impedance	120 Ohms
Analog Output Level	2 Volts
Digital Filter	8 x Oversampling
Digital to Analog Converters	2 x 20 Bit Precision DAC
Digital Output Impedance, Coaxial	75 Ohms
Digital Output Level	0.5 Volts, peak to peak
Digital Output, Optical	TOSLINK connector
Dimensions (mm)	440 x 122 x 363 mm (W x H x D)
(inches)	18.5 x 4.8 x 14.3" (W x H x D)
Weight (kg)	7.7
(lbs)	16.94

THE ROTEL CO., LTD

BUNZAN-SHINSEN-BLD. 4F. 10-10 SHINSEN-CHO, SHIBUYA-KU,
TOKYO 150-0045, JAPAN

Serial. NO.
Beginning

SYMBOL	PARTS NO.	DESCRIPTION
<u>X-1241-01 PCB ASSEMBLY</u>		
C100	044 TBF014D0104J	CAP. M. P. 63V0. 1UF
C101	044 TBF014D0222J	CAP. M. P. 63V2200PF
C102	041 TU16V220	CAP. ELEC. 16V220UF
C103, 104	043 T50VZF473	CAP. CERA. 50V0. 047UF
C105	044 TBF014D0103J	CAP. M. P. 63V0. 01UF
C106, 107	041 TU16V220	CAP. ELEC. 16V220UF
C108	044 TMKT26-63V474J	CAP. M. P. 63V0. 47UF
C109	043 T50VZF473	CAP. CERA. 50V0. 047UF
C110	044 TMKT26-63V474J	CAP. M. P. 63V0. 47UF
C111	044 TBF014D0473J	CAP. M. P. 63V0. 047UF
C112, 113	041 TU16V220	CAP. ELEC. 16V220UF
C114	044 TBF014D0104J	CAP. M. P. 63V0. 1UF
C115	043 T50VZF473	CAP. CERA. 50V0. 047UF
C116	044 TBF024D0224J	CAP. M. P. 63V0. 22UF
C117	044 TMKT26-63V474J	CAP. M. P. 63V0. 47UF
C118	043 T50VZF473	CAP. CERA. 50V0. 047UF
C119	041 TU25V47	CAP. ELEC. 25V47UF
C120, 121	041 TU16V220	CAP. ELEC. 16V220UF
C122, 123	043 T50VZF473	CAP. CERA. 50V0. 047UF
C124	044 TMKT26-100V223J	CAP. M. P. 100V0. 022UF
C125	043 T50VYB471	CAP. CERA. 50V470PF
C126	044 TBF014D0102J	CAP. M. P. 63V1000PF
C127	043 T50VCH101	CAP. CERA. 50V100PF
C128	043 T50VCH221	CAP. CERA. 50V220PF
C129	043 TBF014D0472J	CAP. M. P. 63V4700PF
C130	043 TBF024D0224J	CAP. M. P. 63V0. 22UF
C131	041 TU16V220	CAP. ELEC. 16V220UF
C201	043 T50VZF473	CAP. CERA. 50V0. 047UF
C203	041 TU25V100	CAP. ELEC. 25V100UF
C204	043 T50VZF473	CAP. CERA. 50V0. 047UF
C206	043 T50VZF473	CAP. CERA. 50V0. 047UF
C208	043 T50VZF473	CAP. CERA. 50V0. 047UF
C209	043 TU25V100	CAP. ELEC. 25V100UF
C210	043 T50VZF473	CAP. CERA. 50V0. 047UF
C211, 212	043 T50VCH220	CAP. CERA. 50V22PF
C213	043 T50VZF473	CAP. CERA. 50V0. 047UF
C214	041 TUVX1C102MPA1TA	CAP. ELEC. 16V1000UF
C216	043 T50VZF473	CAP. CERA. 50V0. 047UF
C217	041 TU25V100	CAP. ELEC. 25V100UF
C218, 219	041 25BGF100M	CAP. ELEC. 25V100UF
C220, 221	044 MKP10-160V104M	CAP. P. P. 160V0. 1UF
C222, 223	041 25BGF100M	CAP. ELEC. 25V100UF
C224, 225	044 MKP10-160V104M	CAP. P. P. 160V0. 1UF
C228, 229	041 25BGF100M	CAP. ELEC. 25V100UF
C232, 233	041 25BGF100M	CAP. ELEC. 25V100UF
C234, 235	044 MKP10-160V104M	CAP. P. P. 160V0. 1UF
C236, 237	041 25BGF100M	CAP. ELEC. 25V100UF
C238, 239	044 MKP10-160V104M	CAP. P. P. 160V0. 1UF
C240, 241	041 25BGF100M	CAP. ELEC. 25V100UF
C244, 245	041 25BGF100M	CAP. ELEC. 25V100UF

SYMBOL	PARTS NO.	DESCRIPTION
C246-249	044 MKP10-160V104M	CAP. P. P. 160V0. 1UF
C260, 261	044 MKP10-160V104M	CAP. P. P. 160V0. 1UF
C301-304	044 S63V10000F	CAP. STYROL 63V0. 01UF
C309, 310	041 TUF51E221MPJ1TD	CAP. ELEC. 25V220UF
C311-316	044 S160V302F	CAP. STYROL 160V3000PF
C320, 321	041 TUF51E221MPJ1TD	CAP. ELEC. 25V220UF
C327, 328	041 TUF51E221MPJ1TD	CAP. ELEC. 25V220UF
C329, 330	043 T50VZF473	CAP. CERA. 50V0. 047UF
C331-334	044 MKP10-160V104M	CAP. P. P. 160V0. 1UF
C335, 336	043 T50VZF473	CAP. CERA. 50V0. 047UF
C351-356	044 TCOM2A103J	CAP. P. P. 100V0. 01UF
C400	041 TU25V100	CAP. ELEC. 25V100UF
C401	043 T50VZF473	CAP. CERA. 50V0. 047UF
C402	041 TU25V100	CAP. ELEC. 25V100UF
C403	043 T50VZF473	CAP. CERA. 50V0. 047UF
C404	041 TU25V100	CAP. ELEC. 25V100UF
C405	043 T50VZF473	CAP. CERA. 50V0. 047UF
C406	044 TBF024D0224J	CAP. M. P. 63V0. 22UF
C407, 408	044 TKP30-63V822F	CAP. P. P. 63V8200UF
C409	044 TBF014D0473J	CAP. M. P. 63V0. 047UF
C410	044 TBF074D0334J	CAP. M. P. 63V0. 33UF
C411	044 TBF014D0102J	CAP. M. P. 63V1000PF
C412	044 TBF024D0224J	CAP. M. P. 63V0. 22UF
C413, 414	044 TBF014D0333J	CAP. M. P. 63V0. 033UF
C415	041 TU25V100	CAP. ELEC. 25V100UF
C500	041 TU25V100	CAP. ELEC. 25V100UF
C501	043 T50VZF473	CAP. CERA. 50V0. 047UF
C502	044 TBF014D0222J	CAP. M. P. 63V2200PF
C503	044 TMKT26-63V474J	CAP. M. P. 63V0. 47UF
C504	043 T50VCH470	CAP. CERA. 50V47PF
C505	044 TMKT26-100V223J	CAP. M. P. 100V0. 022UF
C506	041 TU25V100	CAP. ELEC. 25V100UF
C507	041 TUVX1H2R2MDA1TA	CAP. ELEC. 50V2. 2UF
C508	041 TU25V100	CAP. ELEC. 25V100UF
C509	043 T50VZF473	CAP. CERA. 50V0. 047UF
C550, 551	041 TU16V220	CAP. ELEC. 16V220UF
C552, 553	043 T50VZF473	CAP. CERA. 50V0. 047UF
C554, 555	041 TU16V220	CAP. ELEC. 16V220UF
C556, 557	043 T50VZF473	CAP. CERA. 50V0. 047UF
C558	044 TBF014D0102J	CAP. M. P. 63V1000PF
C559	044 TBF014D0104J	CAP. M. P. 63V0. 1UF
C560	044 TBF014D0102J	CAP. M. P. 63V1000PF
C561	044 TBF014D0104J	CAP. M. P. 63V0. 1UF
C562	044 TBF014D0102J	CAP. M. P. 63V1000PF
C563	044 TBF014D0104J	CAP. M. P. 63V0. 1UF
C564	044 TMKT26-100V153J	CAP. M. P. 100V0. 015UF
C565	044 TBF074D0334J	CAP. M. P. 63V0. 33UF
C566	044 TBF014D0222J	CAP. M. P. 63V2200PF
C600	041 TU25V100	CAP. ELEC. 25V100UF
C601	046 T50V473K	CAP. CERA. 50V0. 047UF

SYMBOL	PARTS NO.	DESCRIPTION
C603	043 T50VZF473	CAP. CERA. 50V0. 047UF
C604, 605	043 T50VCH470	CAP. CERA. 50V47PF
C650	041 TU16V220	CAP. ELEC. 16V220UF
C651	043 T50VZF473	CAP. CERA. 50V0. 047UF
C652, 653	041 TU50V22	CAP. ELEC. 50V22UF
C654	043 T50VZF222	CAP. CERA. 50V2200PF
C655	041 TU16V470	CAP. ELEC. 16V470UF
C657	041 TU50V010	CAP. ELEC. 50V1UF
C659	044 TBF014D0104J	CAP. M. P. 63V0. 1UF
C660	043 T50VZF473	CAP. CERA. 50V0. 047UF
C700	043 T50VZF473	CAP. CERA. 50V0. 047UF
C701, 702	041 TU16V220	CAP. ELEC. 16V220UF
C703	043 T50VZF473	CAP. CERA. 50V0. 047UF
C706	043 T50VZF473	CAP. CERA. 50V0. 047UF
C707	041 TU35V33	CAP. ELEC. 35V33UF
C711	043 T50VCH470	CAP. CERA. 50V47PF
C901-904	043 T500VZF103	CAP. CERA. 500V0. 01UF
C906	043 T50VZF473	CAP. CERA. 50V0. 047UF
C907	041 LGS1V472MHS	CAP. ELEC. 35V4700UF
C908	044 MKP10-160V104M	CAP. P. P. 160V0. 1UF
C909	041 LGS1V472MHS	CAP. ELEC. 35V4700UF
C910	044 MKP10-160V104M	CAP. P. P. 160V0. 1UF
C911	041 25BGF100M	CAP. ELEC. 25V100UF
C912	044 MKP10-160V104M	CAP. P. P. 160V0. 1UF
C913	041 25BGF100M	CAP. ELEC. 25V100UF
C914	044 MKP10-160V104M	CAP. P. P. 160V0. 1UF
C915	041 25BGF100M	CAP. ELEC. 25V100UF
C917	041 25BGF100M	CAP. ELEC. 25V100UF
C931, 932	041 25BGF100M	CAP. ELEC. 25V100UF
C933, 934	044 MKP10-160V104M	CAP. P. P. 160V0. 1UF
C935, 936	041 25BGF100M	CAP. ELEC. 25V100UF
C951	041 U16V2200	CAP. ELEC. 16V2200UF
C953-956	043 T500VZF103	CAP. CERA. 500V0. 01UF
C958, 959	041 UVX1C222MHA1AA	CAP. ELEC. 16V2200UF
C960, 961	043 T50VZF473	CAP. CERA. 50V0. 047UF
C962, 963	041 TU16V220	CAP. ELEC. 16V220UF
C964, 965	043 T50VZF473	CAP. CERA. 50V0. 047UF
C966	041 TU16V220	CAP. ELEC. 16V220UF
C967	043 T50VZF473	CAP. CERA. 50V0. 047UF
C968-970	041 U16V2200	CAP. ELEC. 16V2200UF
C971-974	043 T500VZF103	CAP. CERA. 500V0. 01UF
C975	041 U16V4700	CAP. ELEC. 16V4700UF
C976	041 TU25V100	CAP. ELEC. 25V100UF
C977	041 TU50V010	CAP. ELEC. 50V1UF
C978	043 T50VZF473	CAP. CERA. 50V0. 047UF
C981	041 TU50V010	CAP. ELEC. 50V1UF
C982	041 TU25V100	CAP. ELEC. 25V100UF
D100, 101	034 TRD5. 6JST1	ZENER DIODE
D501, 502	034 T1N4148TA-B	DIODE
D553, 554	034 TSB0015-03ABT	DIODE

SYMBOL	PARTS NO.	DESCRIPTION
D600	034 T1N4003-TB	DIODE
D901-904	034 T1N4003-TB	DIODE
D906-909	034 T1N4148TA-B	DIODE
D910	034 TRD15JST1	ZENER DIODE
D912	034 TRD15JST1	ZENER DIODE
D925, 926	034 TRD5. 6JST1	ZENER DIODE
D931-934	034 T1N4148TA-B	DIODE
D939	034 TRD3. 9HST1	ZENER DIODE
D940, 941	034 T1N4148TA-B	DIODE
D953-956	034 T1N4003-TB	DIODE
D971-974	034 T1N4003-TB	DIODE
D981, 982	034 T1N4148TA-B	DIODE
D991-993	034 T1N4148TA-B	DIODE
K100	068 C-4498A14	CONNECTOR 14P
K301	066 4TR-2709#7	2P PINJACK
K303, 304	066 C-4516A01	3P CANNON SOCKET
K550	068 C-4498A12	CONNECTOR 12P
K601	068 4TR-2787#5	CONNECTOR 5P
K602	068 4TR-2787#10	CONNECTOR 10P
K652	068 C-4499A06	CONNECTOR 6P
K701	066 C-4485A00	1P PINJACK
K702	066 GP1F32T	OPTICAL TERMINAL
L202	021 TRL-395	MICRO INDUCTOR 4. 7UH
L205-207	021 TRL-395	MICRO INDUCTOR 4. 7UH
L208-211	021 TRL-392	MICRO INDUCTOR 33UH
L500, 501	021 TRL-395	MICRO INDUCTOR 4. 7UH
L700	021 TRL-395	MICRO INDUCTOR 4. 7UH
L701	021 TC1027-04	DIGITAL OUTPUT TRANS.
L702	021 TRL-395	MICRO INDUCTOR 4. 7UH
M1	017 4TR-2792#3	SUB HEAT SINKER
M2, 3	017 C-4490A02	SUB HEAT SINKER
M13	017 C-4401A01	SUB HEAT SINKER
R101	054 TMK2100KFECZ	R. METAL 1% 100K
R102	054 TMK2012KFECZ	R. METAL 1% 12K
R103	054 TMK2024KFECZ	R. METAL 1% 24K
R104	054 ERD2FCJ4R7P	R. FUSIBLE 4. 7R
R105	054 TMK205K6FECZ	R. METAL 1% 5. 6K
R106	054 TMK203R3FECZ	R. METAL 1% 3. 3R
R107	054 TMK2100KFECZ	R. METAL 1% 100K
R108	054 TMK2100RFECZ	R. METAL 1% 100R
R109	054 TMK2011KFECZ	R. METAL 1% 11K
R110	054 TMK2150KFECZ	R. METAL 1% 150K
R111	054 TMK2033RFECZ	R. METAL 1% 33R
R112	054 TMK204K7FECZ	R. METAL 1% 4. 7K
R113-115	054 ERD2FCJ4R7P	R. FUSIBLE 4. 7R
R116	054 TMK203M3FECZ	R. METAL 1% 3. 3M
R117	054 TMK2022RFECZ	R. METAL 1% 22R
R118	054 TMK2100RFECZ	R. METAL 1% 100R
R119	054 RSS2X-82F	R. METAL 2W 82R
R120	054 TMK2012RFECZ	R. METAL 1% 12R

SYMBOL	PARTS NO.	DESCRIPTION
R121	054 TMK2001KFECZ	R. METAL 1% 1K
R122, 123	054 TMK2003KFECZ	R. METAL 1% 3K
R124	054 TMK2390KFECZ	R. METAL 1% 390K
R125	054 TMK2056KFECZ	R. METAL 1% 56K
R126	054 TMK2120KFECZ	R. METAL 1% 120K
R127	054 TMK2027RFECZ	R. METAL 1% 27R
R128, 129	054 ERD2FCJ4R7P	R. FUSIBLE 4. 7R
R201	054 TMK2001MFECZ	R. METAL 1% 1M
R202	054 TMK2220RFECZ	R. METAL 1% 220R
R204	054 TMK2039RFECZ	R. METAL 1% 39R
R205	054 TMK2018RFECZ	R. METAL 1% 18R
R207-210	054 TMK2100RFECZ	R. METAL 1% 100R
R211, 212	054 TMK2018RFECZ	R. METAL 1% 18R
R301-304	054 TMK2047RFECZ	R. METAL 1% 47R
R305, 306	054 TMK2001MFECZ	R. METAL 1% 1M
R307-310	054 TMK203K3FECZ	R. METAL 1% 3. 3K
R311, 312	054 TMK201K3FECZ	R. METAL 1% 1. 3K
R313-316	054 TMK2910RFECZ	R. METAL 1% 910R
R317, 318	054 TMK2750RFECZ	R. METAL 1% 750R
R319, 320	054 TMK2270RFECZ	R. METAL 1% 270R
R321-324	054 TMK203K3FECZ	R. METAL 1% 3. 3K
R325, 326	054 TMK2120RFECZ	R. METAL 1% 120R
R327, 328	054 TMK2560KFECZ	R. METAL 1% 560K
R329, 330	054 TMK2120RFECZ	R. METAL 1% 120R
R331, 332	054 TMK2560KFECZ	R. METAL 1% 560K
R333-336	054 TMK2120RFECZ	R. METAL 1% 120R
R400-402	054 ERD2FCJ4R7P	R. FUSIBLE 4. 7R
R403, 404	053 T223J	R. CARBON 22K
R405	054 TMK2047KFECZ	R. METAL 1% 47K
R406	054 TMK2022KFECZ	R. METAL 1% 22K
R407	054 TMK2220KFECZ	R. METAL 1% 220K
R408	054 TMK201K8FECZ	R. METAL 1% 1. 8K
R409	054 TMK205K1FECZ	R. METAL 1% 5. 1K
R410	054 TMK2018KFECZ	R. METAL 1% 18K
R411	054 TMK2150KFECZ	R. METAL 1% 150K
R412	054 TMK2012KFECZ	R. METAL 1% 12K
R500	054 TMK202K2FECZ	R. METAL 1% 2. 2K
R501	054 TMK2022KFECZ	R. METAL 1% 22K
R502	054 TMK201K6FECZ	R. METAL 1% 1. 6K
R504	054 TMK209K1FECZ	R. METAL 1% 9. 1K
R505	054 TMK2075RFECZ	R. METAL 1% 75R
R506	054 TMK204K7FECZ	R. METAL 1% 4. 7K
R550-553	054 ERD2FCJ4R7P	R. FUSIBLE 4. 7R
R554	054 TMK2560KFECZ	R. METAL 1% 560K
R555	054 TMK2010KFECZ	R. METAL 1% 10K
R556	054 TMK2020KFECZ	R. METAL 1% 20K
R557	054 TMK2010KFECZ	R. METAL 1% 10K
R558	054 TMK2020KFECZ	R. METAL 1% 20K
R559	054 TMK2560KFECZ	R. METAL 1% 560K
R560	053 T220J	R. CARBON 22R

SYMBOL	PARTS NO.	DESCRIPTION
R561	054 TMK2560KFECZ	R. METAL 1% 560K
R562	054 TMK2020KFECZ	R. METAL 1% 20K
R566	054 TMK2560KFECZ	R. METAL 1% 560K
R567	053 T220J	R. CARBON 22R
R568	054 TMK2560KFECZ	R. METAL 1% 560K
R569	054 TMK2010KFECZ	R. METAL 1% 10K
R570	054 TMK2020KFECZ	R. METAL 1% 20K
R571	054 TMK2010KFECZ	R. METAL 1% 10K
R572	054 TMK2020KFECZ	R. METAL 1% 20K
R573	054 TMK2560KFECZ	R. METAL 1% 560K
R574	053 T220J	R. CARBON 22R
R578	054 TMK204K7FECZ	R. METAL 1% 4. 7K
R579	054 TMK2056KFECZ	R. METAL 1% 56K
R580	054 TMK2100KFECZ	R. METAL 1% 100K
R581	054 TMK2091KFECZ	R. METAL 1% 91K
R582	054 TMK203K3FECZ	R. METAL 1% 3. 3K
R583	054 TMK205K6FECZ	R. METAL 1% 5. 6K
R584	054 TMK201K2FECZ	R. METAL 1% 1. 2K
R585, 586	054 TMK204K7FECZ	R. METAL 1% 4. 7K
R587	054 TMK2150KFECZ	R. METAL 1% 150K
R588	054 TMK2033KFECZ	R. METAL 1% 33K
R589	054 TMK205K6FECZ	R. METAL 1% 5. 6K
R590	054 TMK2680KFECZ	R. METAL 1% 680K
R591	054 TMK2001MFECZ	R. METAL 1% 1M
R592	054 TMK2082KFECZ	R. METAL 1% 82K
R593	054 TMK2200KFECZ	R. METAL 1% 200K
R594	054 TMK208K2FECZ	R. METAL 1% 8. 2K
R595, 596	054 TMK2001KFECZ	R. METAL 1% 1K
R601	054 ERD2FCJ4R7P	R. FUSIBLE 4. 7R
R602-608	053 T223J	R. CARBON 22K
R609	053 T224J	R. CARBON 220K
R611-613	053 T223J	R. CARBON 22K
R615	053 T222J	R. CARBON 2. 2K
R618	053 T223J	R. CARBON 22K
R621-625	053 T223J	R. CARBON 22K
R629-631	053 T223J	R. CARBON 22K
R634-636	053 T223J	R. CARBON 22K
R639	053 T223J	R. CARBON 22K
R646-649	053 T223J	R. CARBON 22K
R650	054 ERD2FCJ4R7P	R. FUSIBLE 4. 7R
R651-654	053 T223J	R. CARBON 22K
R658, 659	053 T103J	R. CARBON 10K
R660-665	053 T223J	R. CARBON 22K
R677	053 T203J	R. CARBON 20K
R678	053 T103J	R. CARBON 10K
R679-681	053 T203J	R. CARBON 20K
R682	053 T221J	R. CARBON 220R
R683	053 T203J	R. CARBON 20K
R700	054 TMK204K7FECZ	R. METAL 1% 4. 7K
R701	054 TMK2075RFECZ	R. METAL 1% 75R

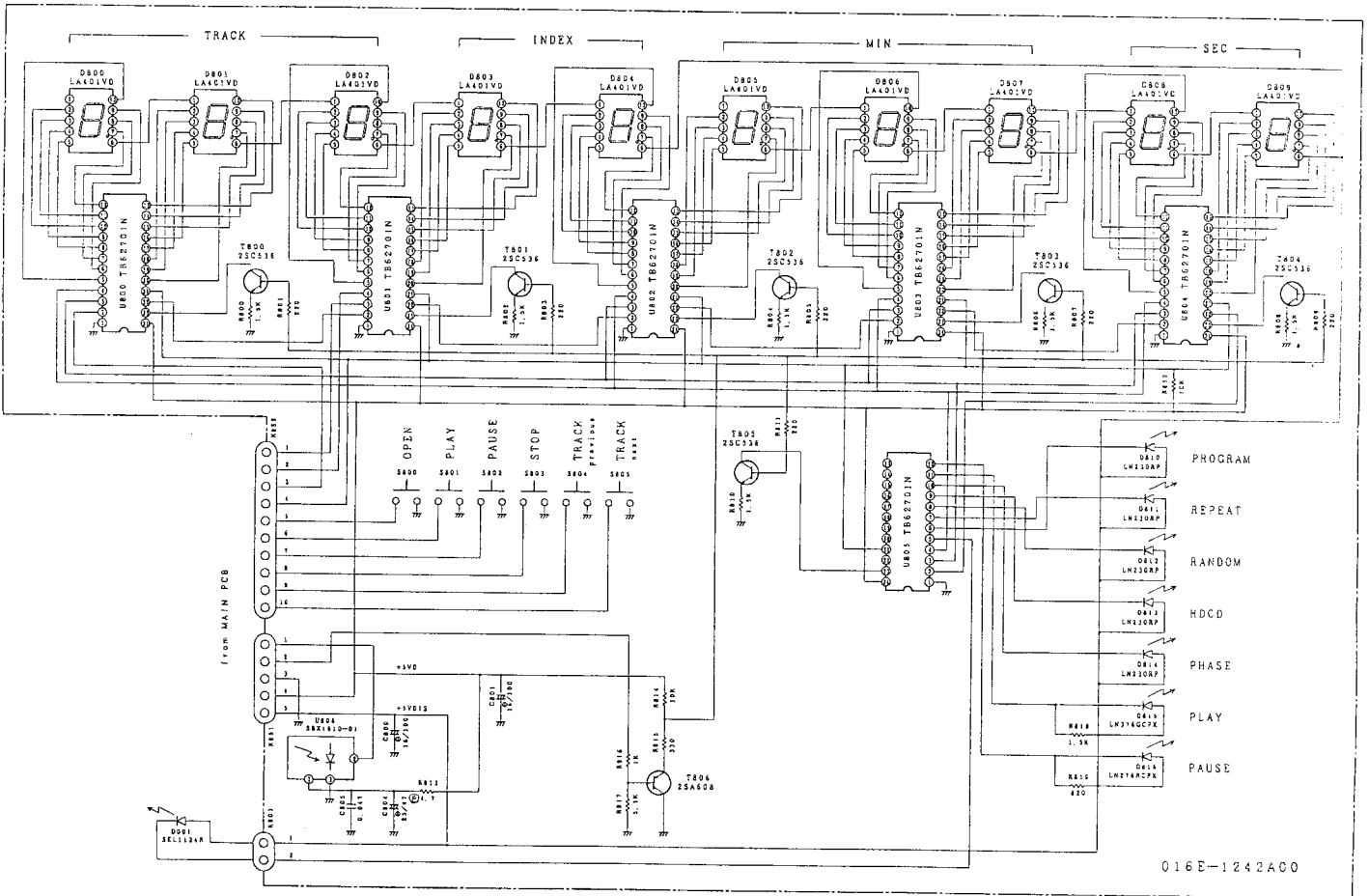
SYMBOL	PARTS NO.	DESCRIPTION
R711	054 TMK2027RFECZ	R. METAL 1% 27R
R911	054 TMK2047KFECZ	R. METAL 1% 47K
R912, 913	054 TMK2120RFECZ	R. METAL 1% 120R
R914, 915	054 TMK2100RFECZ	R. METAL 1% 100R
R921	053 T221J	R. CARBON 220R
R922	053 T102J	R. CARBON 1K
R923	043 T103J	R. CARBON 10K
R931	054 TMK2018KFECZ	R. METAL 1% 18K
R933, 934	054 TMK2220RFECZ	R. METAL 1% 220R
R935, 936	054 TMK2100RFECZ	R. METAL 1% 100R
R951-954	054 TNFR252R2J	R. FUSIBLE 2. 2R
R971	053 T472J	R. CARBON 4. 7K
R972	053 T103J	R. CARBON 10K
R981	053 T102J	R. CARBON 1K
R982	053 T223J	R. CARBON 22K
R983-985	053 T103J	R. CARBON 10K
R986	053 T150J	R. CARBON 15R
R987	053 T393J	R. CARBON 39K
R988	053 T154J	R. CARBON 150K
R989	053 T103J	R. CARBON 10K
R990	053 T222J	R. CARBON 2. 2K
R991, 992	053 T153J	R. CARBON 15K
R993, 994	053 T391J	R. CARBON 390R
R995	053 T104J	R. CARBON 100K
R996	053 T153J	R. CARBON 15K
R997	053 T391J	R. CARBON 390R
R998	053 T223J	R. CARBON 22K
R999	053 T683J	R. CARBON 68K
S301	063 EG2-24NU	RELAY
S303, 304	063 EG2-24NU	RELAY
T100	032 T2SC3708AA-ST	TRANSISTOR
T500	032 T2SA1016KAA-FG	TRANSISTOR
T550, 551	032 T2SA608KAA-FG	TRANSISTOR
T600	032 T2SC536KAA-FG	TRANSISTOR
T904	032 T2SC2362KAA-FG	TRANSISTOR
T905	032 T2SA1016KAA-FG	TRANSISTOR
T906	032 2SD1666-RS	TRANSISTOR
T907	032 2SB1133-RS	TRANSISTOR
T908	032 T2SA1016KAA-FG	TRANSISTOR
T909	032 T2SC2362KAA-FG	TRANSISTOR
T921	032 T2SA608KAA-FG	TRANSISTOR
T931	032 T2SA1016KAA-FG	TRANSISTOR
T932	032 T2SC2362KAA-FG	TRANSISTOR
T933	032 2SB1133-RS	TRANSISTOR
T934	032 2SD1666-RS	TRANSISTOR
T935	032 T2SC2362KAA-FG	TRANSISTOR
T936	032 T2SA1016KAA-FG	TRANSISTOR
T971	032 2SD1666-RS	TRANSISTOR
T972	032 T2SC2362KAA-FG	TRANSISTOR
T981, 982	032 T2SC3708AA-ST	TRANSISTOR

SYMBOL	PARTS NO.	DESCRIPTION
T983	032 T2SC536KAA-FG	TRANSISTOR
T984	032 T2SA608KAA-FG	TRANSISTOR
T985	032 T2SA1450AA-ST	TRANSISTOR
T986	032 T2SA608KAA-FG	TRANSISTOR
T987, 988	032 T2SA1450AA-ST	TRANSISTOR
U100	031 TDA8808T	IC
U101, 102	031 TCA0372DP1	IC
U201	031 TC74HC175AP	IC
U202	031 TC74HC86AP	IC
U203, 204	031 TC74HC164AP	IC
U205	031 PMD100	IC
U206	031 TC74HCU04AP	IC
U208, 209	031 PCM63P	IC
U216	031 TC74HC74AP	IC
U300	031 PC827	PHOTO COUPLER
U301, 302	031 NE5534AN	IC
U303-306	031 NE5532AN	IC
U400	031 TDA8809T	IC
U404	031 MC68HC711E9FU	IC
U405	031 TC74HC14AP	IC
U407	031 TCA0372DP1	IC
U500	031 SAA7310GP	IC
U501	031 MN4264P	IC
U550-554	031 TCA0372DP1	IC
U600	031 ZC405027P/S05	IC
U601	031 TC74HC00AP	IC
U700	031 PCF2705P	IC
U951	031 NJM7805FA	IC
U952	031 NJM7905FA	IC
U953	031 NJM7805FA	IC
X201	023 49U11. 2896	CRYSTAL OSC
X600	023 CSA4. 00MHZ	CERALOCK
	019 TO-126	INSULATION SHEET(S)
	019 TO-220	INSULATION SHEET(L)
	<u>X-1241-02 PCB ASSEMBLY</u>	
F001	036 (U)T1A	MINI FUSE for STD
	036 (S)T500MA	MINI FUSE for CEE
	021 TRL-356	COIL
	069 C-3417A	FUSE CLIP
	<u>X-1241-03 PCB ASSEMBLY</u>	
C001	044 DE7150F472M	SPARK KILLER
S001	061 C-4176A01	POWER SWITCH
	<u>E-1242 PCB ASSEMBLY</u>	
C800, 801	041 TU25V100	CAP. ELEC. 25V100UF
C804	041 TU25V47	CAP. ELEC. 25V47UF
C805	043 T50VZF473	CAP. CERA. 50V0. 047UF
D800-809	034 LA401VD	7SEG. LED
D810-814	034 LN230RPP	LED
D815	034 LN376GCCP	LED

SYMBOL	PARTS NO.	DESCRIPTION
D816	034 LN276RCPP	LED
R800	053 T152J	R. CARBON 1. 5K
R801	053 T221J	R. CARBON 220R
R802	053 T152J	R. CARBON 1. 5K
R803	053 T221J	R. CARBON 220R
R804	053 T152J	R. CARBON 1. 5K
R805	053 T221J	R. CARBON 220R
R806	053 T152J	R. CARBON 1. 5K
R807	053 T221J	R. CARBON 220R
R808	053 T152J	R. CARBON 1. 5K
R809	053 T221J	R. CARBON 220R
R810	053 T152J	R. CARBON 1. 5K
R811	053 T221J	R. CARBON 220R
R812	053 T103J	R. CARBON 10K
R813	054 ERD2FCJ4R7P	R. FUSIBLE 4. 7R
R814	053 T103J	R. CARBON 10K
R815	053 T331J	R. CARBON 330R
R816	053 T102J	R. CARBON 1K
R817	053 T512J	R. CARBON 5. 1K
R818	053 T152J	R. CARBON 1. 5K
R819	053 T821J	R. CARBON 820R
S800-805	061 4TR-2977	TACT SWITCH
T800	032 T2SC536KAA-FG	TRANSISTOR
T806	032 T2SA608KAA-FG	TRANSISTOR
U800-805	031 TB62701N	IC

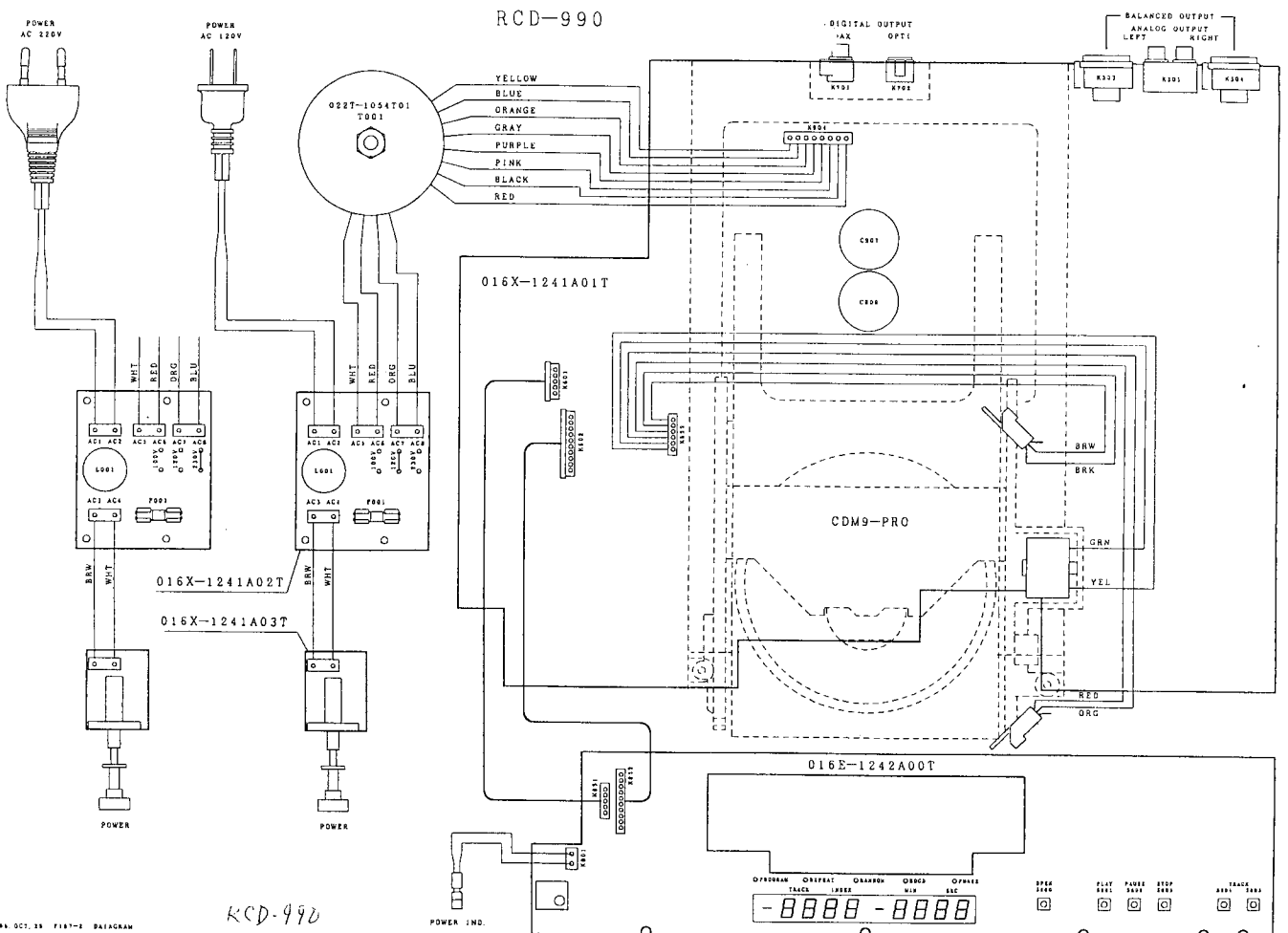
SYMBOL	PARTS NO.	DESCRIPTION
U806	031 SBX1610-02	IC
	014 QL4-23A00T	LED FILTER BOARD
	019 QL3-19A00T	LED HOLDER
	<u>OTHERS</u>	
	011 TFP-782	FRONT PANEL
	011 4TQ0-6#1	DOOR PANEL
	012 PT4-07A01	TACT BUTTON
	012 4TQF-15	POWER BUTTON
	014 RH4-06A00T	BOTTOM BOARD
	014 TFP-783	PRINTED ORNAMENT BOARD
	014 3TUV-6#10	UPPER COVER
	014 4TR-2797#3	ORNAMENT SIDE BOARD
	015 TRP-702	REAR CHASSIS
	019 3TQ0-5	DOOR PANEL HOLDER
	019 4TSH-19#2	PLASTIC FOOT
	022 T-1054T01	POWER TRANSFORMER
	072 C-3083	AC CORD for UK
	072 C-3763C01	AC CORD for AUSTRALIA
	072 4TR-1037	AC CORD for CEE
	072 4TR-670#5	AC CORD for STD
	081 RH4-20A00	PACKING
	081 RH4-21A00	INSIDE CARTON
	092 CDM9PRO	CD MECH. ASSY
	092 RR-935	REMOTE UNIT

Schematic Diagram RCD-990 isplay



016E-124A00

1987 MAY 23 8/133 AG055PLAY



RCD-990