



Technical Manual

STEREO CASSETTE DECK RD-2200

TABLE OF CONTENTS

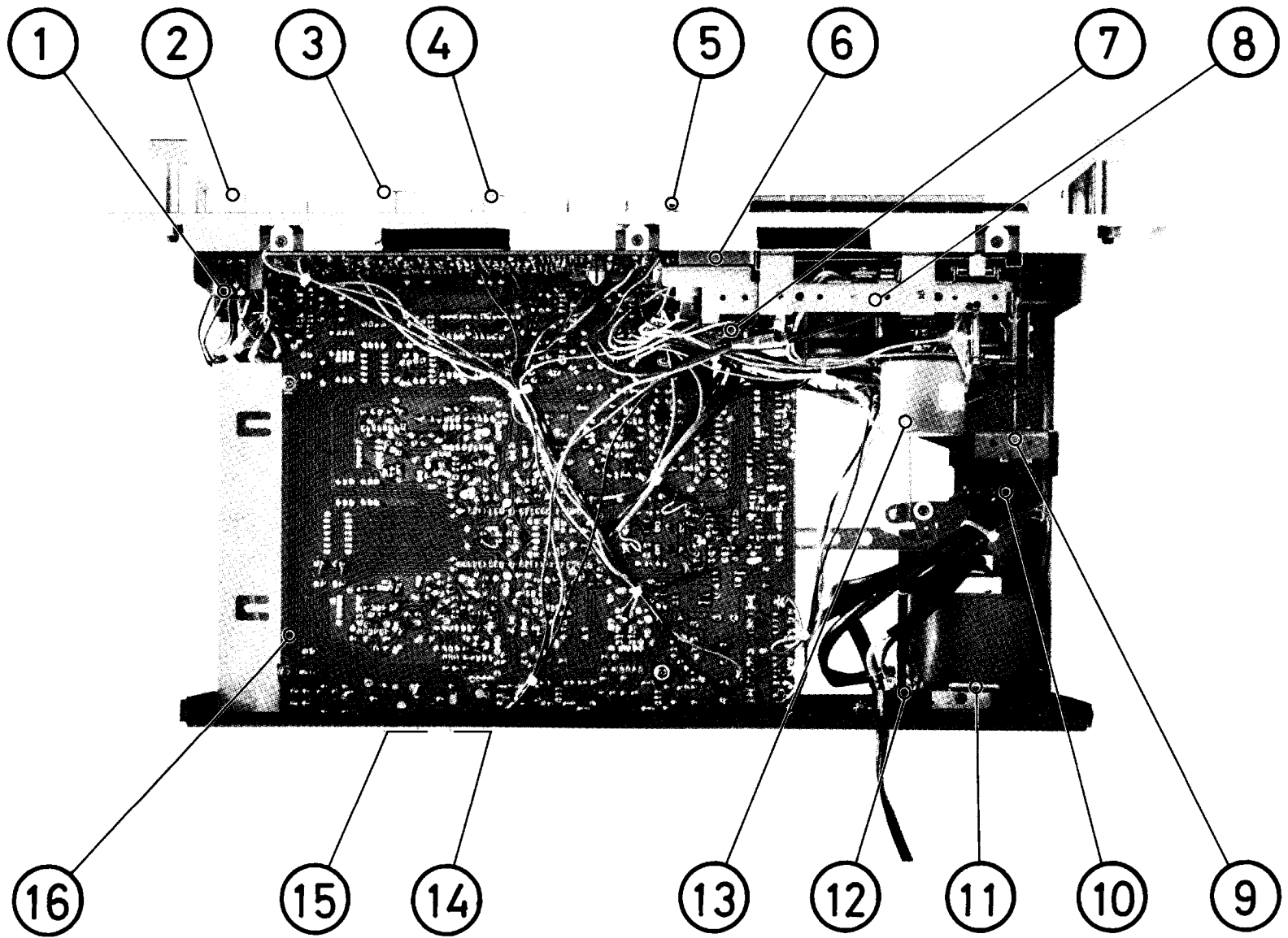
Chassis Layout (Top View)	2
Chassis Layout (Bottom View)	3
Adjustment Procedure	4
Troubleshooting Guide	6
Rec/Playback Level Diagram	7
Repair Parts List	8
Disassembly Diagram	9
Schematic Diagram	13
PC Board Diagrams	15
Block Diagram	16

<p>Serial No. Beginning NB76295</p>

THE ROTEL CO., LTD.
ROTEL ELECTRONICS CO., LTD.
ROTEL OF AMERICA, INC.

1-36-8 OHOKAYAMA, MEGURO KU, TOKYO 152, JAPAN
 2ND FLOOR, EVERGLORY BLDG., NO. 305, SECTION 3,
 NANKING E. ROAD, TAIPEI, TAIWAN, REPUBLIC OF CHINA
 1055 SAW MILL RIVER ROAD, ARDSLEY, N.Y. 10502, U.S.A.

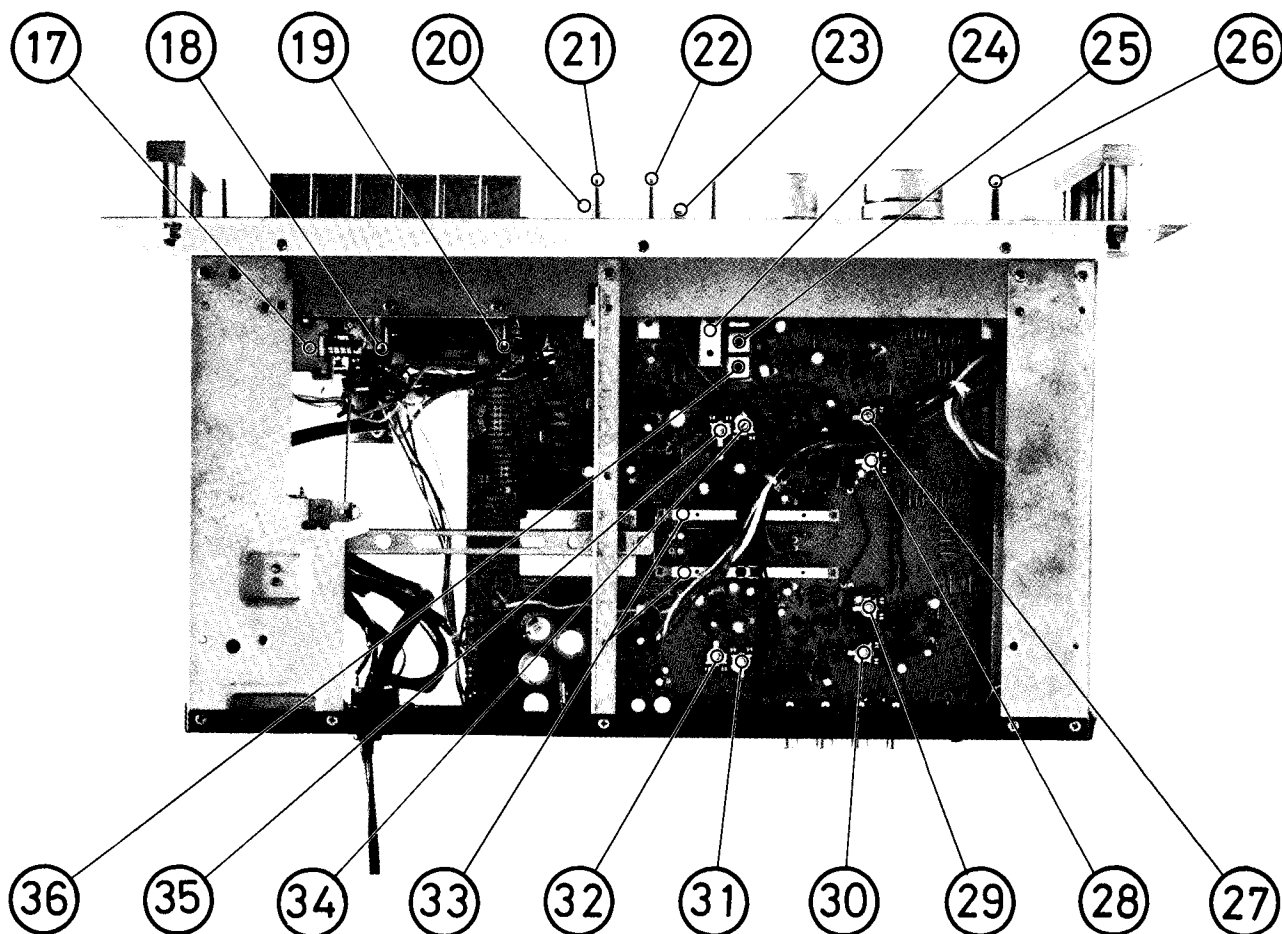
Chassis Layout (Top View)



1. PHONE LEVEL CONTROL PCB
2. PHONE LEVEL CONTROL
3. RECORDING LEVEL CONTROL
4. OUTPUT LEVEL CONTROL
5. MEMORY BUTTON
6. TAPE COUNTER
7. AUTO-SHUT-OFF PCB
8. CASSETTE MECH ASS'Y

9. POWER SWITCH
10. POWER SWITCH PCB
11. POWER TRANSFORMER
12. VOLTAGE SELECTOR
13. MOTOR
14. LINE OUT JACKS
15. LINE IN JACKS
16. MASTER PCB

Chassis Layout (Bottom View)



17. PLUNGER SOLENOID

18. REW SWITCH

19. PAUSE SWITCH

20. BIAS ADJUST VR

21. BIAS SWITCH

22. EQ SWITCH

23. INDICATOR OFF SWITCH

24. DOLBY NR* AND MPX FILTER SWITCH

25. E104-2, MPX FILTER B, R-CH

26. INPUT SELECTOR

27. VR108, DOLBY NR GAIN ADJ, R-CH

28. VR106, DOLBY NR GAIN ADJ, L-CH

29. VR105, DOLBY NR LAW CONTROL ADJ, L-CH

30. VR107, DOLBY NR LAW CONTROL ADJ, R-CH

31. VR101, PLAYBACK LEVEL ADJ, L-CH

32. VR103, REC GAIN ADJ, L-CH

33. S101, REC/PB SWITCH

34. VR102, PLAYBACK LEVEL ADJ, R-CH

35. VR104, REC GAIN ADJ, R-CH

36. E104-1, MPX FILTER A, R-CH

* Dolby is trademark of Dolby Laboratories.
Noise reduction under license from Dolby Laboratories.

Adjustment Procedure

1. REC/PB AMP ADJUSTMENT

Step	Description	Mode (switch)	Adjust	Test Point	Connection	Remarks
1	Rec/PB head azimuth adjustment	PLAY EQ: NORM NR: OFF	Screw "A"	Line Out	Fig. 1	Test tape: MTT-114 TP output: Maximum*
2	Dolby cal level adjustment (PB level)		VR101 VR102	TP4 TP4'	Figs. 2 and 5	Test tape: MTT-150 TP output: 1,000mV
3	Level indicator adjustment		VR301 VR3Q2	Level indicator reading	Fig. 3	Test tape: MTT-150 Level indicator reads "0" level.
4	Normal recording level adjustment	RECORD EQ: NORM NR: OFF	VR1	TP4 TP4'	Figs. 4 and 5	Test tape: Blank TP output: 700mV
5	Normal bias level adjustment	RECORD BIAS: NORM	CT102 CT101	TP1 TP1'		Test tape: Blank Input: No signal TP output: 40mV
6	Recording current adjustment	RECORD EQ: NORM NR: OFF	VR103 VR104	TP1 TP1'		Test tape: Blank Input: 1kHz, 300mV TP output: 5mV

* Make adjustment so that output of both channels reaches maximum by checking the output of each channel alternately.

2. DOLBY NR PROCESSOR ALIGNMENT

Step	Description	Mode (switch)	Adjust	Test Point	Connection	Remarks
1	FET gate shorted	RECORD NR: OFF	—	—		Test point: TP5 and TP5' should be grounded.
2	FET law control adjustment		VR105 VR106	TP6 TP6'	Figs. 4 and 5	Test tape: Blank Input: No signal TP output: Maximum
3	Decision of input voltage adjustment		VR1	TP3 TP3'		Test tape: Blank Input: 5kHz, 300mV TP output: 30mV
4	Gain adjustment (adjust +10dB with respect to test No.3.)	VR107 VR108	TP3 TP3'	Test tape: Blank Input: 5kHz, 300mV TP output: 30mV, +10dB		
5	FET gate open	RECORD NR: ON	—	—		TP5 and TP5' should be ungrounded.
6	Law control adjustment (adjust +8dB with respect to test No.3)		VR105 VR106	TP3 TP3'	Figs. 4 and 5	Test tape: Blank Line input: 5kHz, 300mV TP output: 30mV, +8dB
7	Check NR ON/OFF	RECORD NR: ON/OFF	—	TP3 TP3'		

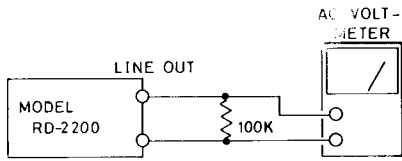
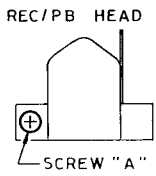


Fig. 1

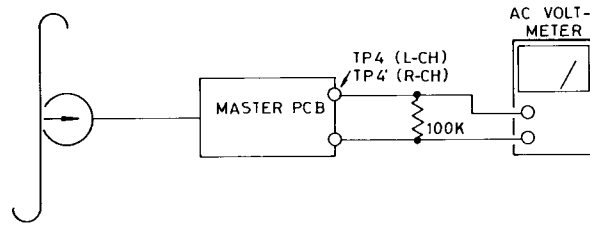


Fig. 2

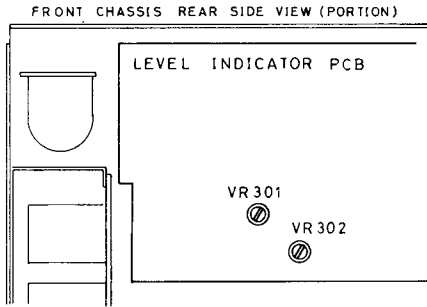


Fig. 3

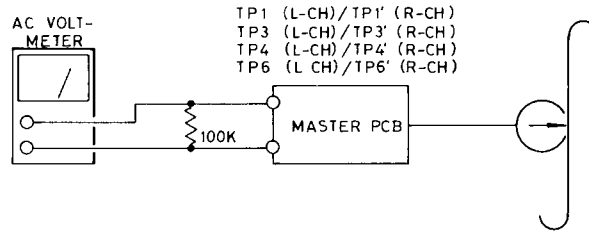


Fig. 4

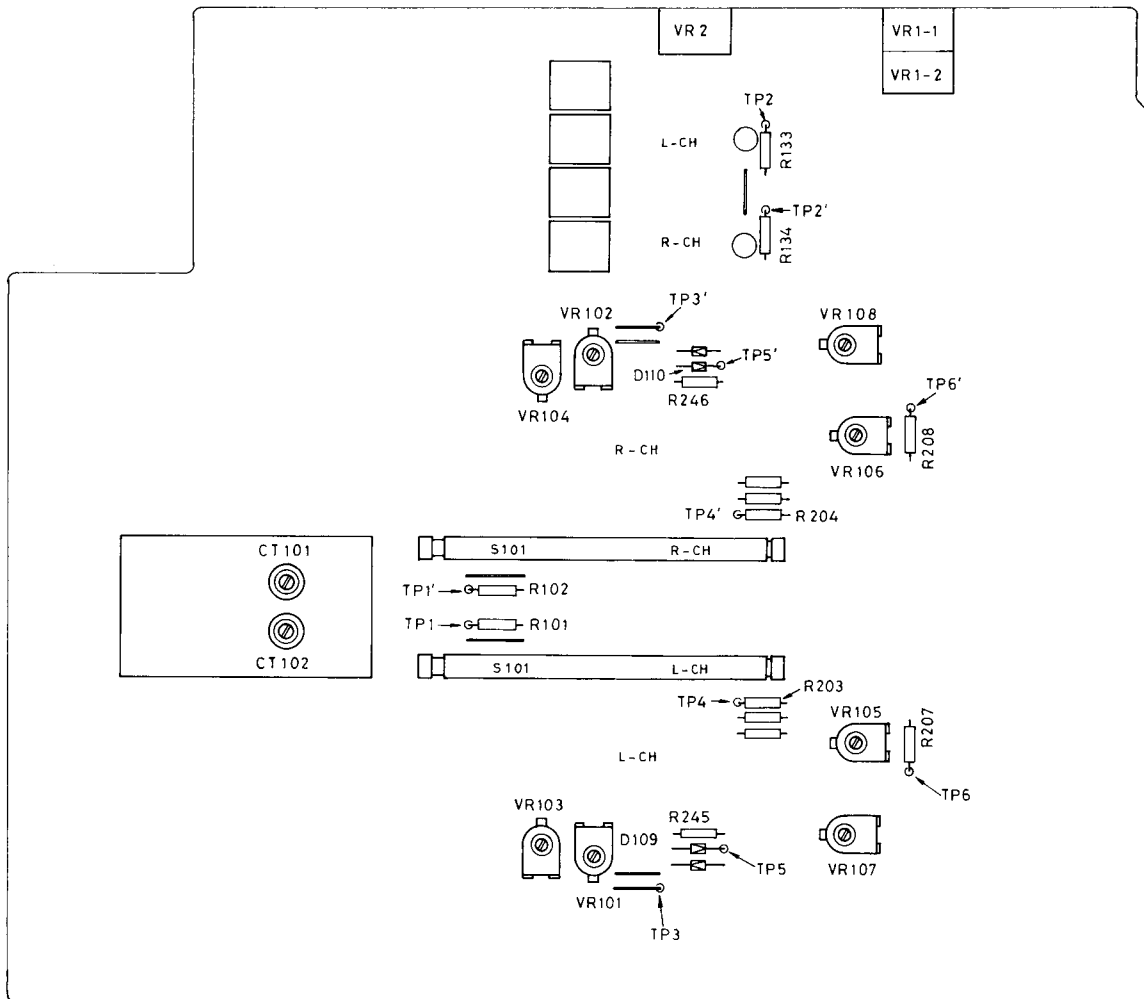


Fig. 5 Master PCB Layout (component side view)

Troubleshooting Guide

● No Power

1. Defective power switch.
2. Defective DC supply block.
3. Defective power connection.

● No Power to Motor

1. Defective motor.
2. Defective servo.
3. Defective start switch.

● Distorted Sound

1. Rec/PB head dirty.
2. Rec/PB head magnetized.
3. Rec/PB head defective.
4. Defective cassette tape.

● High Frequency Deteriorated

1. PB azimuth adjustment inadequate.
2. Rec/PB head dirty.
3. Rec/PB head magnetized.
4. Excessive wow and flutter.
5. Incorrect tape travel.
6. Rec/PB head defective.
7. Cassette tape defective.

● Excessive Wow and Flutter

1. Flywheel assembly defective.
2. Motor defective.
3. Defective servo.
4. Defective drive belt.
5. Pinch roller assembly defective.
6. Slippage between tape and pinch roller.
7. Idler pulley defective.
8. No clearance provided between flywheel and thrust screw*
9. Tape counter defective.
10. Excessive back-tension.
11. Improper take-up torque.
12. Defective tape cassette.

*Clearance between them should be 0.05mm – 0.4mm.

● Signal to Noise Ratio Deteriorated

1. Rec/PB head magnetized.
2. Rec/PB head dirty.
3. Rec/PB head defective.
4. Defective output amp.
5. Defective cassette tape

● Loss of Channel Separation

1. Incorrect tape travel.
2. Rec/PB head defective.

● Level Variations

1. Dirty Rec/PB head.
2. Defective Rec/PB head.
3. Rec/PB head misaligned.
4. Defective cassette tape.

● Incorrect Tape Travel

1. Weak pinch roller pressure.
2. Capstan defective.
3. Defective pinch roller.
4. Rec/PB head misaligned.

● Tape Speed Too Fast or Slow

1. Defective cassette tape.
2. Defective motor.
3. Defective servo.

● Tape Does Not Move.

1. Defective cassette tape.
2. Defective motor.
3. Defective servo.
4. Drive belt off.
5. Pinch roller not contacting capstan.
6. Reel hub defective.
7. Defective power connection.
8. Drive belt out of place.

● Recording Cannot Be Made.

1. Rec/PB head defective.
2. Rec/PB head dirty.
3. Record amp defective.
4. Rec interlock switch defective.
5. Safety tab of cassette removed.
6. Head wire broken.
7. Bias OSC defective.
8. Input jack defective.
9. Mute switch defective.

● Playback Cannot Be Made.

1. Rec/PB head dirty.
2. Rec/PB head defective.
3. PB amp defective.
4. Output amp defective.
5. Output jack defective.
6. Mute switch defective.
7. Head wire defective.
8. Dolby NR circuit defective.

● Erasing Cannot Be Made.

1. Erase head defective.
2. Erase head dirty.
3. Bias OSC defective.
4. Wire on head broken.

● Auto-Shut-Off Does Not Work at End of Tape.

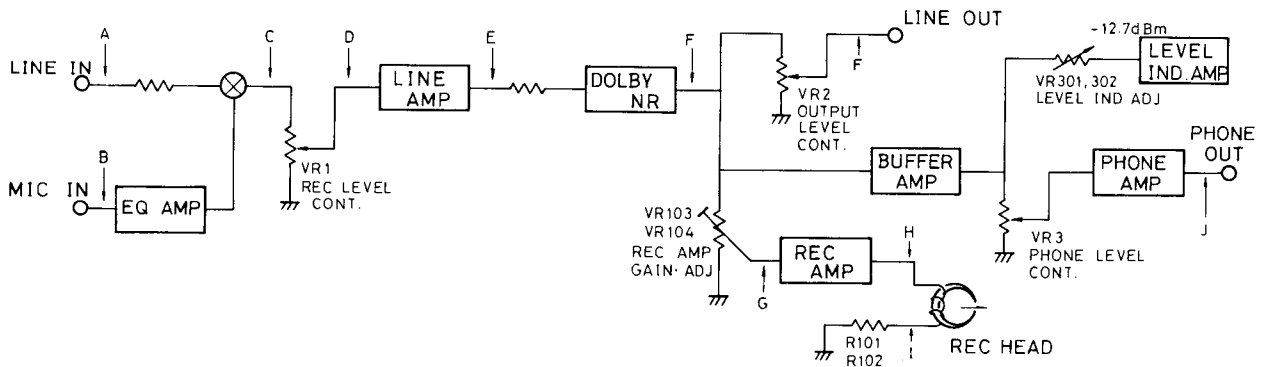
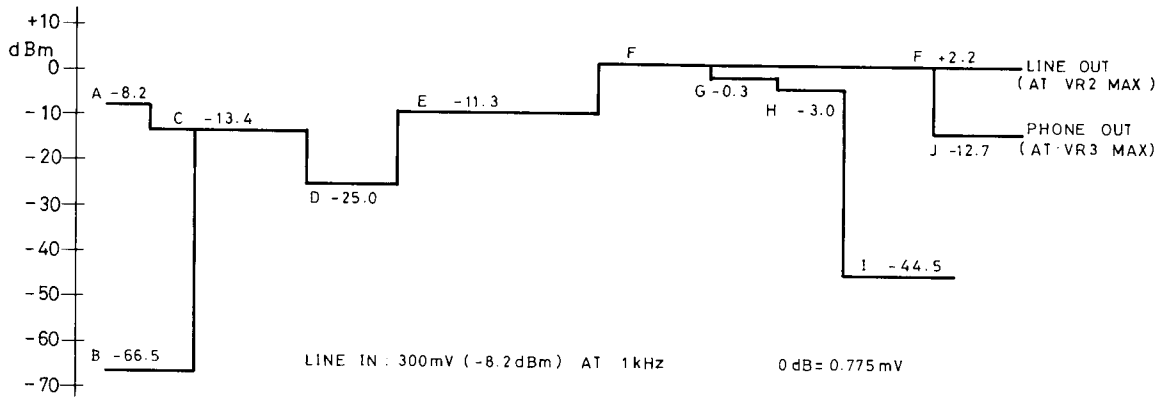
1. Stop sensor defective.
2. Auto-shut-off driver defective.
3. Solenoid driver defective.
4. Deck button defective.
5. Wire between solenoid and driver broken.
6. Solenoid adjustment inadequate.

● Auto-Shut-Off Works before End of Tape.

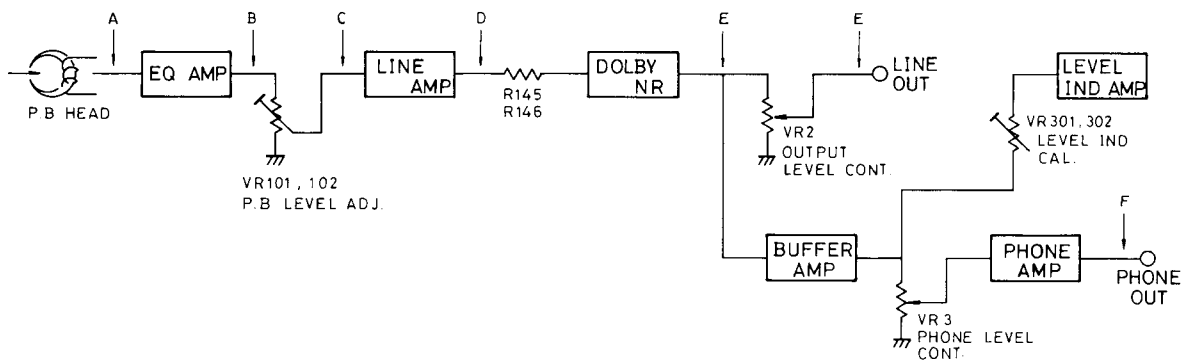
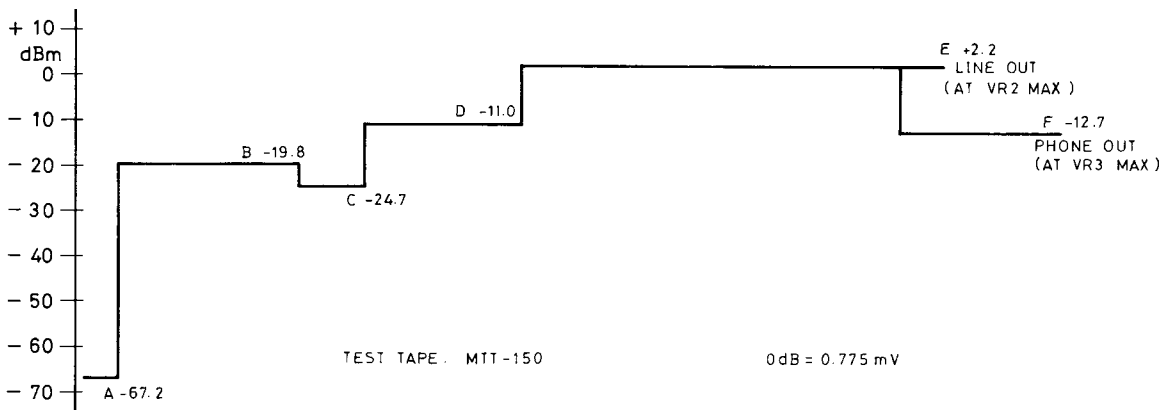
1. Stop sensor defective.
2. Auto-shut-off driver defective.
3. Solenoid driver defective.
4. Defective counter.
5. Defective cassette tape.

Rec/Playback Level Diagram

● Recording Mode



● Playback Mode



Repair Parts List

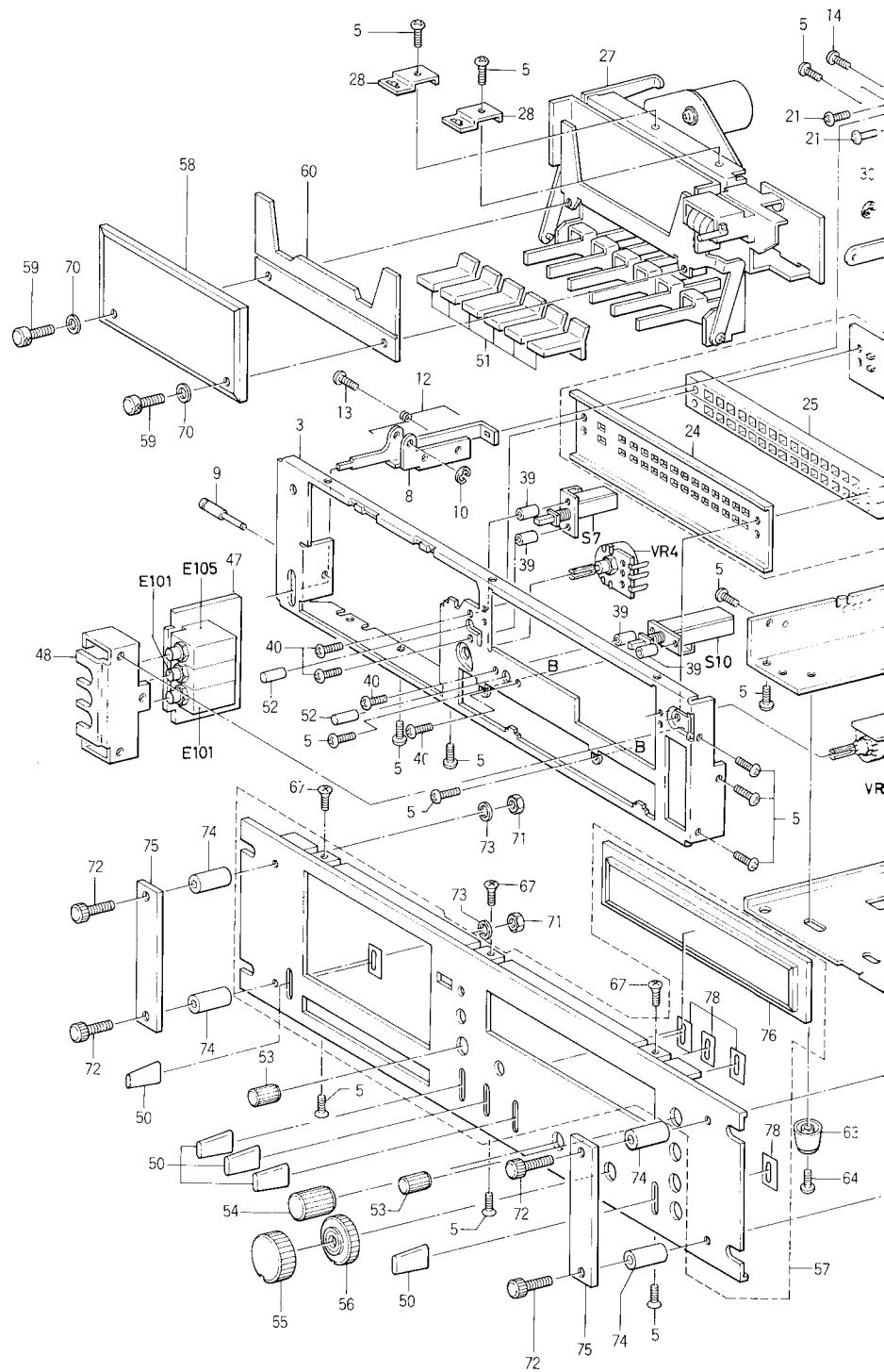
Schematic Location	Part No.	Description
TRANSISTORS, DIODES AND IC'S		
Q101 to 106	301201156	2SC1222 (E)
Q107, 108, 111		
112 to 114,		
117, 118, 121		
122, to 124,		
129, 130, 135		
136, 302		
Q109, 110, 119	092023207	2SC900 (E) or 2SC732 (BL) (092023208)
120, 131		
Q115, 116	092023217	2SK30A
Q125, 126, 301	092023209	2SC509
Q127	092023224	2SC1380
Q128	092023212	2SD235
Q1, 2	092023204	2SC373
D101, 102, 107	300111003	1N60 (Ge)
108		
D103 to 106	092023216	1S1555 (Si)
109, 110, 301		
D111 to 114	090153322	10E2, Rectifier
D115 to 118	092023205	10E1, Rectifier
D1, 30		
D2 to 8	300414020	SLP-137B (Red), LED
D9 to 29	300414021	SLP-237B (Grn), LED
TD1	092023202	SFIR3B4, Thyristor
ZD101	092023218	OZ28.2A, Zener
ZD102	092023213	HZ24-1, Zener
ZD103*	092023223	RD-3.3E, Zener
IC301	092023221	TA7318AP, Zener
IC302, 303	092023222	TA7612AP, LED Driver
COILS AND TRANSFORMERS		
E103-1, 104-1	092022105	MPX Filter, (A)
E103-2, 104-2	092022106	MPX Filter, (B)
L101, 102	092022110	Choke Coil, 5.6mH
L103, 104	092022109	Choke Coil, 4.7mH
L105, 106	092022111	Choke Coil, 8.2mH
L107, 108	092022108	Choke Coil, 27mH (J)
T101	092022107	OSC Trans
TRI	092022108	Power Transformer
VARIABLE RESISTORS		
VR101, 102, 103 104	510502154	Potentiometer, 50KB

Schematic Location	Part No.	Description
VR105, 106	510502152	Potentiometer, 5KB
VR107, 108	510502151	Potentiometer, 1KB
VR301, 302	510502138	Potentiometer, 10KB
VR1	092025402	50KAx2, Rec Level Control
VR2	092025401	5KAx2, Output Level Control
VR3	092025403	5KAx2, Phone Level Control
VR4	092025404	500B, Bias Adjust
OTHERS		
E2	092022103	Plunger Solenoid
E3	092022104	Motor
E5	092022102	Rec/PB Head
E6	092022101	Erase Head
S101	092026546	Rec/PB Switch
S102	092026542	Bias Selector
S103	092026543	EQ Selector
S104	092026544	NR and Filter Switch
S105	092026545	Input Select and Line Mute Switch
S1	092026547	Power Switch
S2	090156633	Play Switch
S3, 9, 12	092026520	Pause, FF, Rec Switch
S4	092026537	Reed Switch
S5	092026519	Muting Switch
S6	092026536	Rew Switch
S7, 10	092026549	Memory, Ind OFF Switch
PL1, 2*	092023201	Lamp
F101*	092023224	Fuse, 200mA, Midget
F102*	092023225	Fuse, 1.25A, Midget
F103**	092023227	Fuse, 160mA, Midget
CT101, 102	092024001	Capacitor, Trimmer, 150pF Max.
	092021060	STD Type
	092021086	Master Circuit Board Ass'y, Europe, UK
	092021009	Auto-Shut-Off Circuit Board Ass'y
	092021055	Level Indicator Circuit Board Ass'y

Notes: * : Europe and UK types only (not used on STD type).
 ** : UK type only (not used on STD and European types).

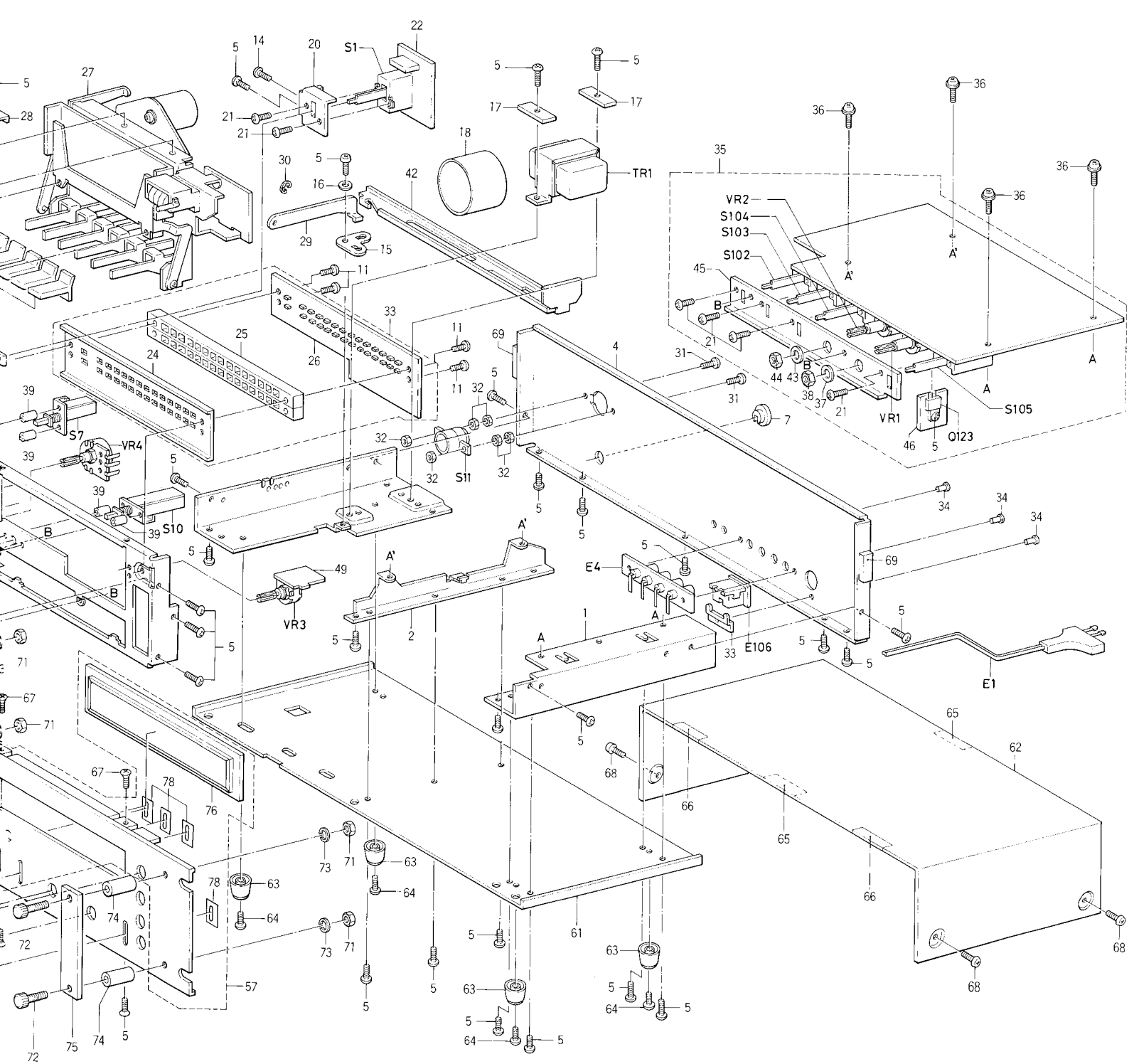
Disassembly Diagram

No.	Description	Part No.
1.	Bracket, Side, Right	092021046
2.	Bracket, Center	092021047
3.	Chassis, Front	092021048
4.	Panel, Rear	092021049
5.	Screw, 3x6mm, Tap-tight	765203006
6.	Not Used	
7.	Stopper, Cord	092026538
8.	Lever, Power Switch	092021050
9.	Shaft, Lever	092026539
10.	Washer C, $\phi 3$	770500039
11.	Screw, 2.6x12mm, Tap-tight	765202612
12.	Spring, Power Switch	092026540
13.	Screw, 3x6mm, Tap-tight	765203006
14.	Screw, 3.5x6mm, Tapping	724203506
15.	Support, Record	092021051
16.	Spacer	092027624
17.	Support, Power Trans.	092027625
18.	Shield, Power Trans.	092021052
19.	Bracket, Side, Left	092021053
20.	Bracket, Power Switch	092021054
21.	Screw, 3x6mm, w/SP Washer	715203006
22.	PC Board, Power SW, w/o Comp.	092021084
23.	Ass'y, Level Indicator PC Board	092021055
24.	Plate, Level Indicator	092021056
25.	Frame, Indicator	114902277
26.	PC Board, Level Indicator, wo/Comp.	092021057
27.	Cassette Mech. Ass'y	900111023
28.	Support, Cassette Mech.	092021058
29.	Lever, Record, A	092021059
30.	Washer C, $\phi 2.3$	092027626
31.	Screw, M3x12mm, (BLZ)	703223012
32.	Nut, M3, Hex	770402201
33.	Support, DIN Socket	092021085
34.	Rivet, Push, 3x5.5mm	770911147
35.	Ass'y, Master PC Board (STD)	092021060
	Ass'y, Master PC Board (UK & Europe)	092021086
36.	Screw, 3x6mm, Tapping	724203006
37.	Washer, Flat, $\phi 9$	770500008
38.	Nut, M9, Hex.	770402207
39.	Spacer, Push SW	092027627
40.	Screw, M3x10mm	705203010
41.	Cover, Voltage Selector	092021061
42.	Ass'y, Record Lever	092021062
43.	Washer, Flat, $\phi 7$	770500006
44.	Nut, M7, Hex.	770402205
45.	Bracket, SW	092021063
46.	Heatsink	092021064
47.	Ass'y, Mic Jack PC Board	092021065
48.	Bracket, Mic Jack	092021066
49.	Ass'y, Phones Level Control PC Board	092021067
50.	Knob, Lever	092021068
51.	Knob, Function	092021069
52.	Button, Push SW	092021070
53.	Knob, Control, $\phi 12$	092021071
54.	Knob, Control, $\phi 22$	092021072
55.	Knob, Control, $\phi 36$	092021073
56.	Knob, Control, $\phi 38$	092021074
57.	Panel, Front Ass'y	092021075
58.	Panel, Door	092021076
59.	Screw, M4x12mm, Door Panel Mtg.	092027628
60.	Frame, Door	092021077
61.	Cover, Bottom	092021078
62.	Cover, Top	092021079
63.	Foot	092026541
64.	Screw, 4x12mm, Tap-tight	765214012
65.	Pad, Cushion	092029802
66.	Pad, Cushion	092029803
67.	Screw, 3x8mm, Tap-tight, (BLZ)	766223008
68.	Screw, 4x8mm, Tap-tight, (BLZ)	765224008
69.	Cushion Rubber	092029804
70.	Washer, Rubber, $\phi 4$	092027629
71.	Nut, M6, Hex.	770402204
72.	Screw, M6x40mm, Handle Mtg.	770911209
73.	Spring Washer, $\phi 6$	770500012
74.	Support, Handle	770911216
75.	Handle	670101118

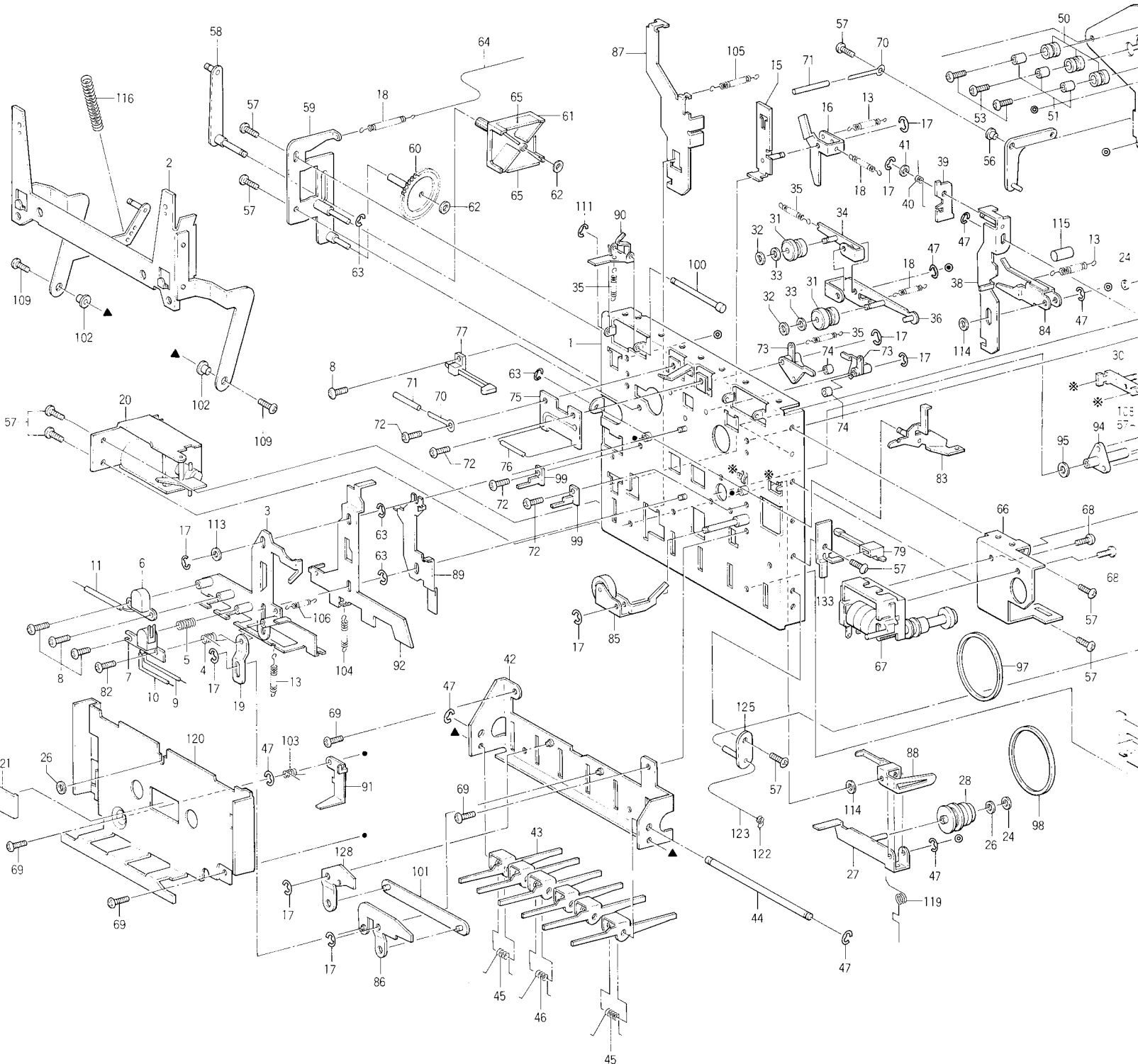


76.	Glass, Level Indicator	114902302
77.	Frame, Knob, Power SW	092021081
78.	Frame, Knob	092021082
E101	Mic Jack	092026552
E105	Headphone Jack	092026551
E106	DIN Socket	092026550
TR1	Power Transformer	092022112
S1	Switch, Power	092026547
S7	Switch, Memory	092026549
S10	Switch, Indicator OFF	092026549
S11	Voltage Selector	092026548
S102	Switch, Bias	092026542

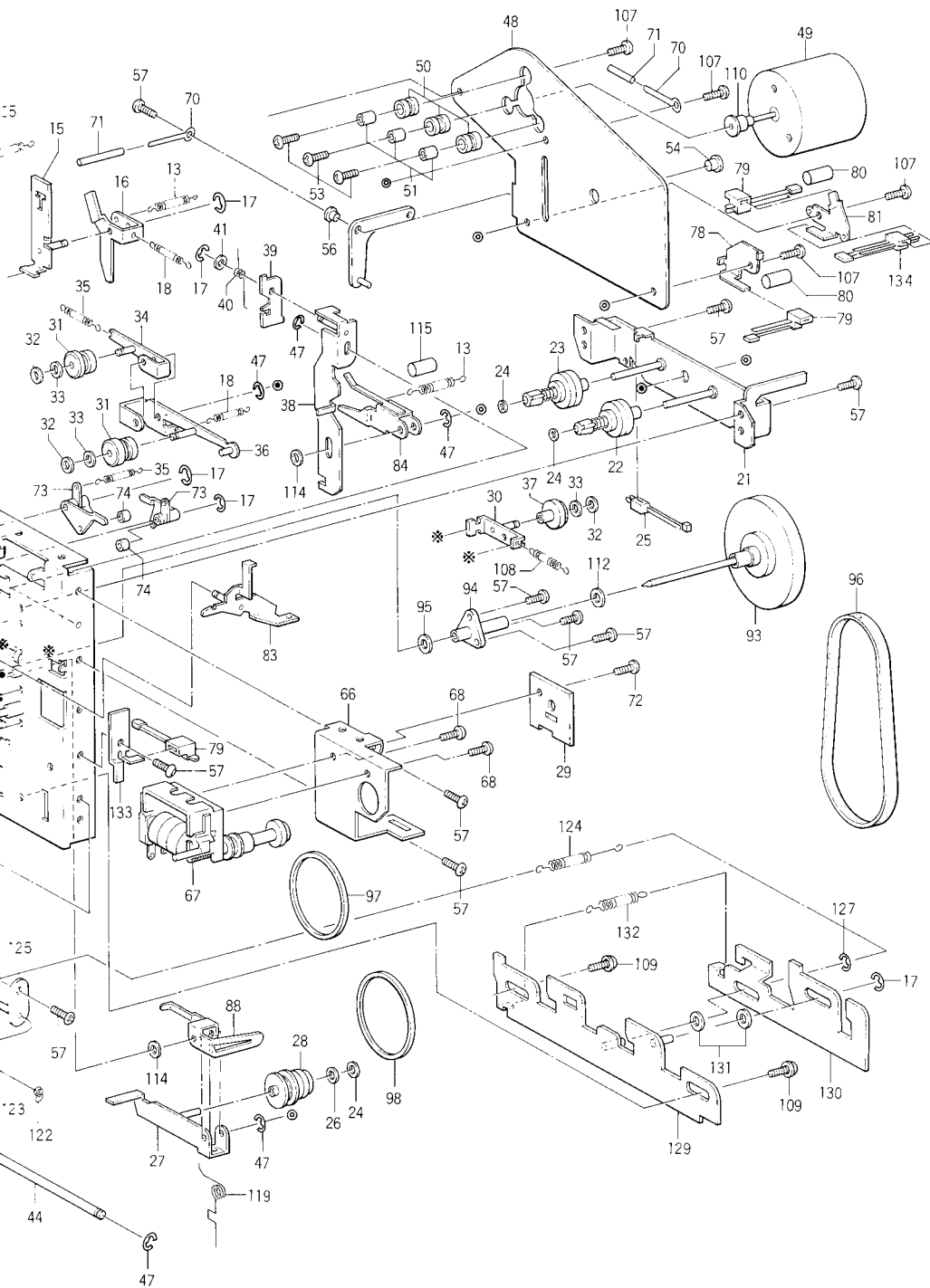
S103	Switch, EQ
S104	Switch, Dolby NR
VR1	Rec Level Control
VR2	Output Level Control
VR3	Phones Level Control
VR4	Bias Adjust
E1	AC Line Cord (STD)
	AC Line Cord (UK)
	AC Line Cord (Euro)
E4	Pin Jack, 4P
Q123	Transistor, 2SC9005



302	S103	Switch, EQ	092026543
081	S104	Switch, Dolby NR	092026544
082	VR1	Rec Level Control	092025402
552	VR2	Output Level Control	092025401
551	VR3	Phones Level Control	092025403
550	VR4	Bias Adjust	092025404
112	E1	AC Line Cord (STD)	092027631
547		AC Line Cord (UK)	092027632
549		AC Line Cord (Europe)	092027633
549	E4	Pin Jack, 4P	092026553
548	Q123	Transistor, 2SC900E	092023207
542			



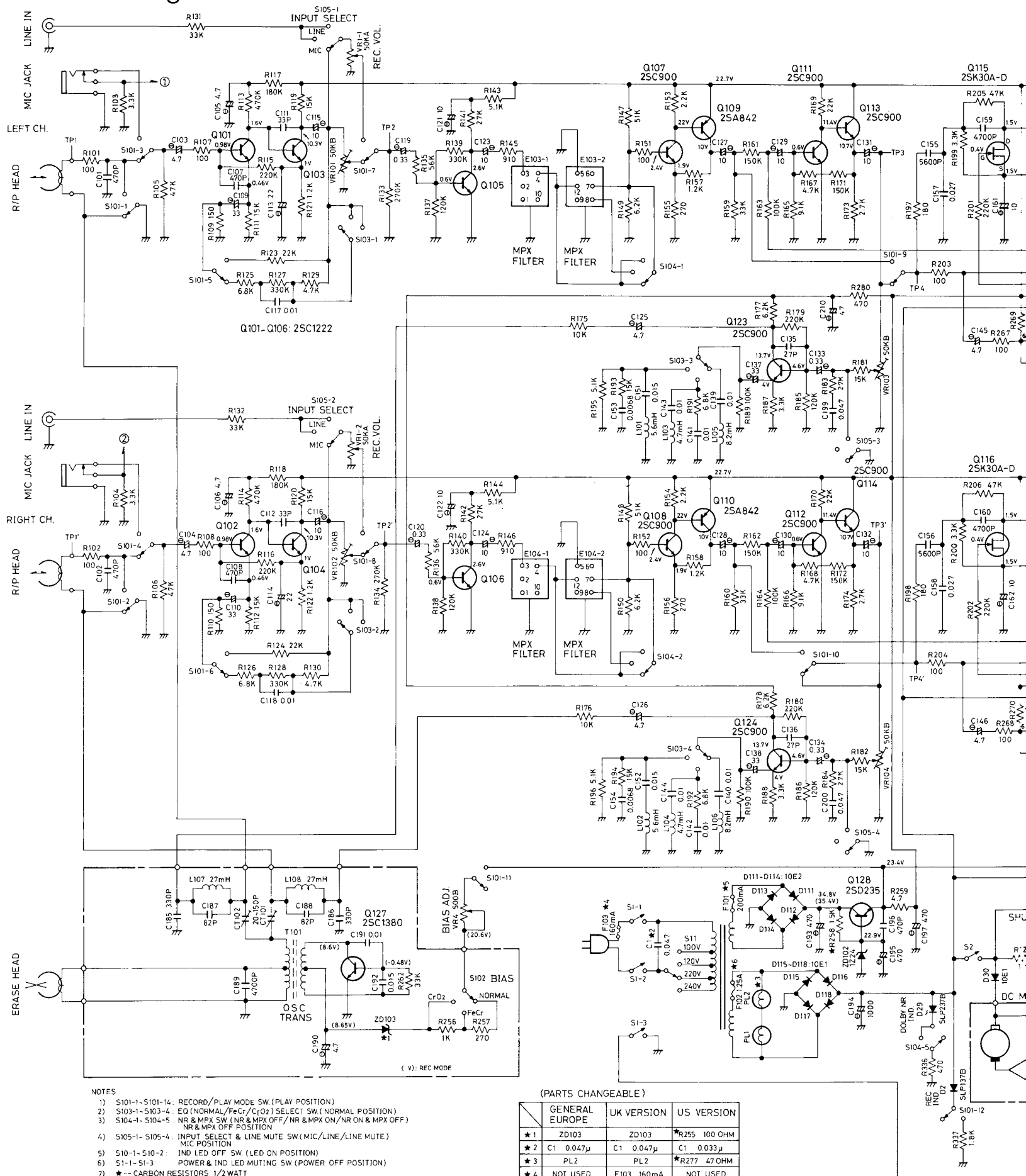
No.	Description	Part No.	No.	Description	Part No.	No.	Description	Part No.
1.	Ass'y, Mech. Chassis	092021001	20.	Ass'y, Solenoid	092022103	39.	Cam, Pause	
2.	Ass'y, Door Frame	092021002	21.	Ass'y, Bracket, Reel	092021007	40.	Spring, Cam	
3.	Ass'y, Head Base	092021003	22.	Ass'y, Reel, Take-up	092026505	41.	Washer, Flat, φ3.3	
4.	Spring, Pinch Roller	092026501	23.	Ass'y, Reel, Supply	092026506	42.	Ass'y, Bracket, SW Button	
5.	Spring, Azimuth	092026502	24.	Washer, Lock, Reel Ass'y Mtg.	092027604	43.	Lever, SW	
6.	Head, Erase (W-gap)	092022101	25.	Leaf Switch, Play	090156633	44.	Shaft, SW Lever	
7.	Head, Rec/PB	092022102	26.	Washer, STW, φ2.1	092027605	45.	Spring, Push Button	
8.	Screw, M2x5mm, F-Lock	714212005	27.	Ass'y, Arm, Clutch Rew	092021008	46.	Spring, Push Button	
9.	C.W. Shield, 270mm (GRY)	092027601	28.	Ass'y, Clutch, FF	092026507	47.	Washer C, φ4	
10.	C.W. Shield, 250mm, (BRN)	092027602	29.	Ass'y, Auto-Shut-off PC Board	092021009	48.	Bracket, Flywheel	
11.	C.W. Shield, 250mm, (BLK)	092027603	30.	Ass'y, Lever, Play Idler	092021010	49.	Motor	
12.	Not Used		31.	Idler, FWD	092026508	50.	Cushion, Motor	
13.	Spring, Pull	092026503	32.	Washer, Lock, φ2.6	092027606	51.	Collar, Cushion	
14.	Not Used		33.	Washer, STW, φ3.1	092027607	52.	Not Used	
15.	Ass'y, Slide Eject	092021004	34.	Ass'y, Arm, Rew. Idler	092021011	53.	Screw, M2.6x7mm, w/SP Washer	
16.	Arm, Eject	092021005	35.	Spring, Pull	092026509	54.	Bearing, Flywheel	
17.	Washer C, φ2.5	770500027	36.	Ass'y, Stud, FF, Bracket	092021012	55.	Ass'y, Link, Rec.	
18.	Spring, Pull	092026504	37.	Idler, Rew	092026510	56.	Spacer, Arm	
19.	Lever, Head Base	092021006	38.	Ass'y, Lever Pause	092021013	57.	Screw, 3x6mm, Tap-tight	



- 58. Ass'y, Lever Slide 092021018
- 59. Ass'y, Bracket, Gear 092021019
- 60. Gear, Drive 092026516
- 61. Gear, Damper 092026517
- 62. Washer, Lock, ϕ 1.2 092027611
- 63. Washer C, ϕ 3 770500039
- 64. String, Damper, ϕ 0.7 092027612
- 65. Poise, Damper 092021020
- 66. Bracket, Tape Counter 092021021
- 67. Tape Counter 092026518
- 68. Screw, M3x5mm w/SP Washer 715203005
- 69. Screw, 3x5mm, Tap-tight 765203005
- 70. Lug, Binding 770031332
- 71. Sleeve, Lug 092027613
- 72. Screw, M3x6mm, w/SP Washer 715203006
- 73. Arm, Brake 092021022
- 74. Pad, Brake 092029801
- 75. PC Board, Lamp (w/o Lamp) 092021023
- 76. Lamp 092023201
- 77. Switch, Muting 092026519
- 78. Bracket, SW, Pause 092021024
- 79. Switch, FF, Pause, Rec. 092026520
- 80. Sleeve, 092027614
- 81. Bracket, Direct SW 092021025
- 82. Screw, M2x6mm, w/Washer 713212006
- 83. Ass'y, Stopper, Door 092021026
- 84. Ass'y, Lever, FF 092021027
- 85. Ass'y, Bracket, Pinch Roller 092021028
- 86. Ass'y, Lever, Cue 092021029
- 87. Lever, Rec. 092021030
- 88. Lever, Rew. 092021031
- 89. Lever, Fwd. 092021032
- 90. Arm, Record Sensor 092021033
- 91. Stopper, Rec. 092021034
- 92. Lever, Brake 092021035
- 93. Flywheel & Capstan 092026521
- 94. Housing, Capstan 092021036
- 95. Washer, Oil Seal 092027614
- 96. Belt, Drive 092026522
- 97. Belt, Counter 092026523
- 98. Belt, Pulley 092026524
- 99. Guide, Cassette 092021037
- 100. Shaft, Rec. Sensor 092026525
- 101. Ass'y, Lever, Link 092021038
- 102. Spacer, Door 092027615
- 103. Spring, Rec. Stopper 092026526
- 104. Spring, Pull 092026527
- 105. Spring, Pull 092026528
- 106. Spring, Pull 092026529
- 107. Screw, M3x8mm, w/SP Washer 715203008
- 108. Spring, Pull 092026555
- 109. Screw, M3x10mm, w/SP Washer 715203010
- 110. Pulley, Motor 092026530
- 111. Washer C, ϕ 1.5 770500026
- 112. Washer, STW, ϕ 2.6 090157329
- 113. Washer, STW, ϕ 3.1 092027617
- 114. Washer, STW, ϕ 5.2 092027618
- 115. Sleeve 092027619
- 116. Spring, Pull 092026531
- 117. Not Used
- 118. Not Used
- 119. Spring, Arm, Clutch 092026532
- 120. Dust Cover 092021039
- 121. Lens, Dust Cover 092021040
- 122. Spring, Tension 092026533
- 123. String, Tension 092027620
- 124. Spring, Unlock 092026534
- 125. Spacer, String, Tension 092027621
- 126. Washer, Lock, ϕ 2.6 092027622
- 127. Washer C, ϕ 2 770500035
- 128. Lever, Review 092021041
- 129. Ass'y, Bar 092021042
- 130. Lever, Lock 092021043
- 131. Washer, STW, ϕ 3.1 092027623
- 132. Spring, Bar 092026535
- 133. Bracket, FF SW 092021044
- 134. Switch, Rew. 092026536

- 092022103 39. Cam, Pause 092021014
- 092021007 40. Spring, Cam 092026511
- 092026505 41. Washer, Flat. ϕ 3.3 090157324
- 092026506 42. Ass'y, Bracket, SW Button 092021015
- 092027604 43. Lever, SW 092021087
- 090156633 44. Shaft, SW Lever 092026513
- 092027605 45. Spring, Push Button 092026514
- 092021008 46. Spring, Push Button 092026515
- 092026507 47. Washer C, ϕ 4 770500040
- 092021009 48. Bracket, Flywheel 092021016
- 092021010 49. Motor 092022104
- 092026508 50. Cushion, Motor 090156614
- 092027606 51. Collar, Cushion 092027608
- 092027607 52. Not Used
- 092021011 53. Screw, M2.6x7mm, w/SP Washer 713202607
- 092026509 54. Bearing, Flywheel 092027609
- 092021012 55. Ass'y, Link, Rec. 092021017
- 092026510 56. Spacer, Arm 092027610
- 092021013 57. Screw, 3x6mm, Tap-tight 765203006

Schematic Diagram

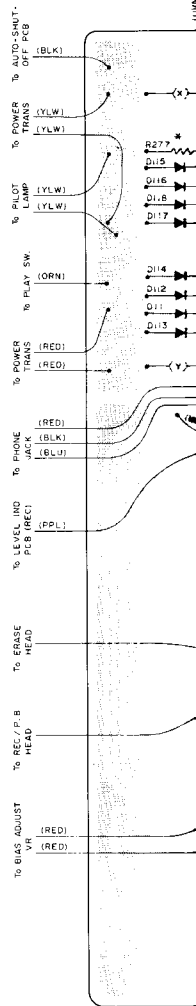
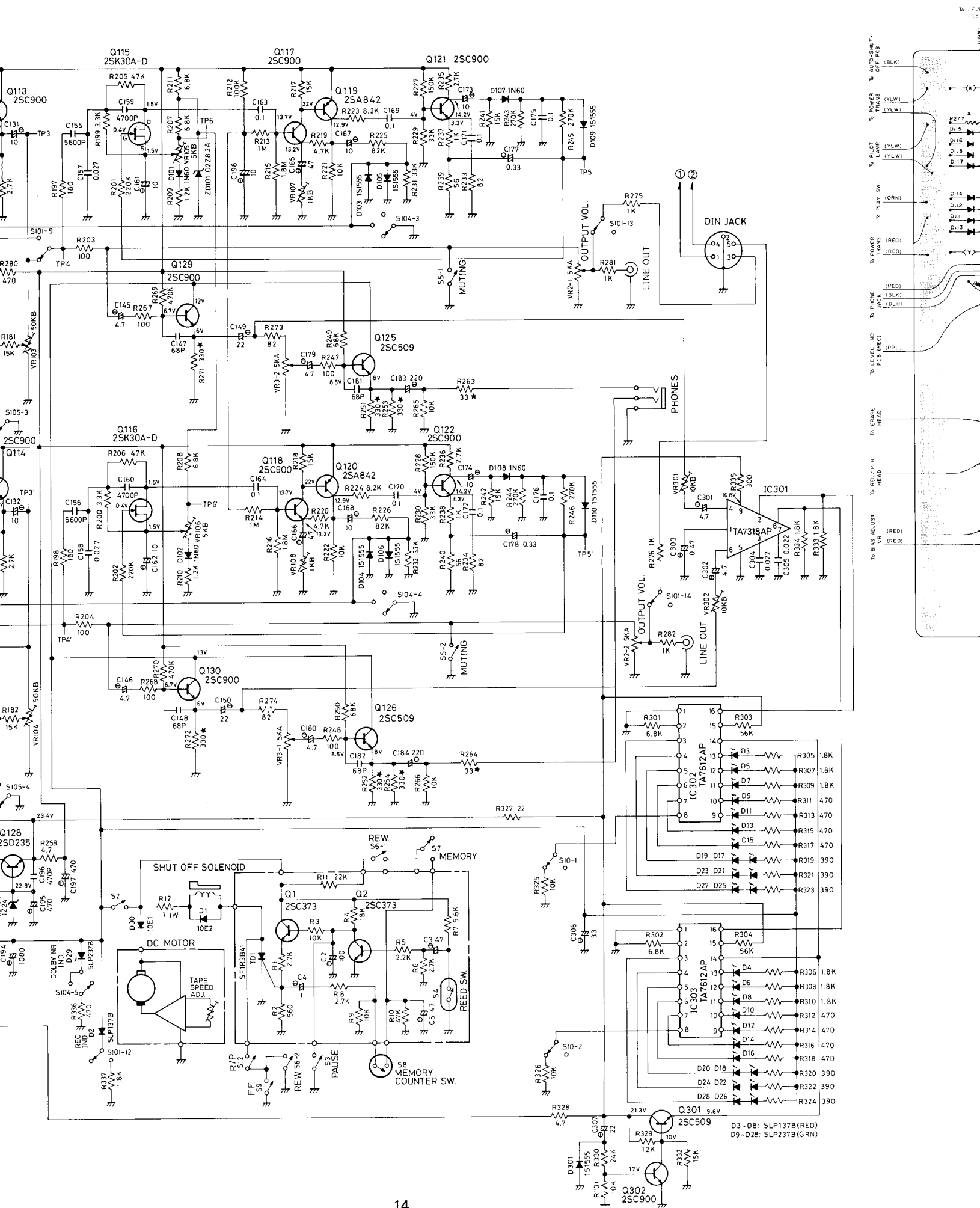


- NOTES
- 1) S101-1-S101-14 RECORD/PLAY MODE SW (PLAY POSITION)
 - 2) S103-1-S103-4 EQ (NORMAL/FeCr/CrO₂) SELECT SW (NORMAL POSITION)
 - 3) S104-1-S104-5 NR & MPX SW (NR & MPX OFF/NR & MPX ON/NR ON & MPX OFF) NR & MPX OFF POSITION
 - 4) S105-1-S105-4 INPUT SELECT & LINE MUTE SW (MIC/LINE/LINE MUTE)
 - 5) S10-1-S10-2 IND LED OFF SW (LED ON POSITION)
 - 6) S1-1-S1-3 POWER & IND LED MUTING SW (POWER OFF POSITION)
 - 7) *-- CARBON RESISTORS 1/2 WATT

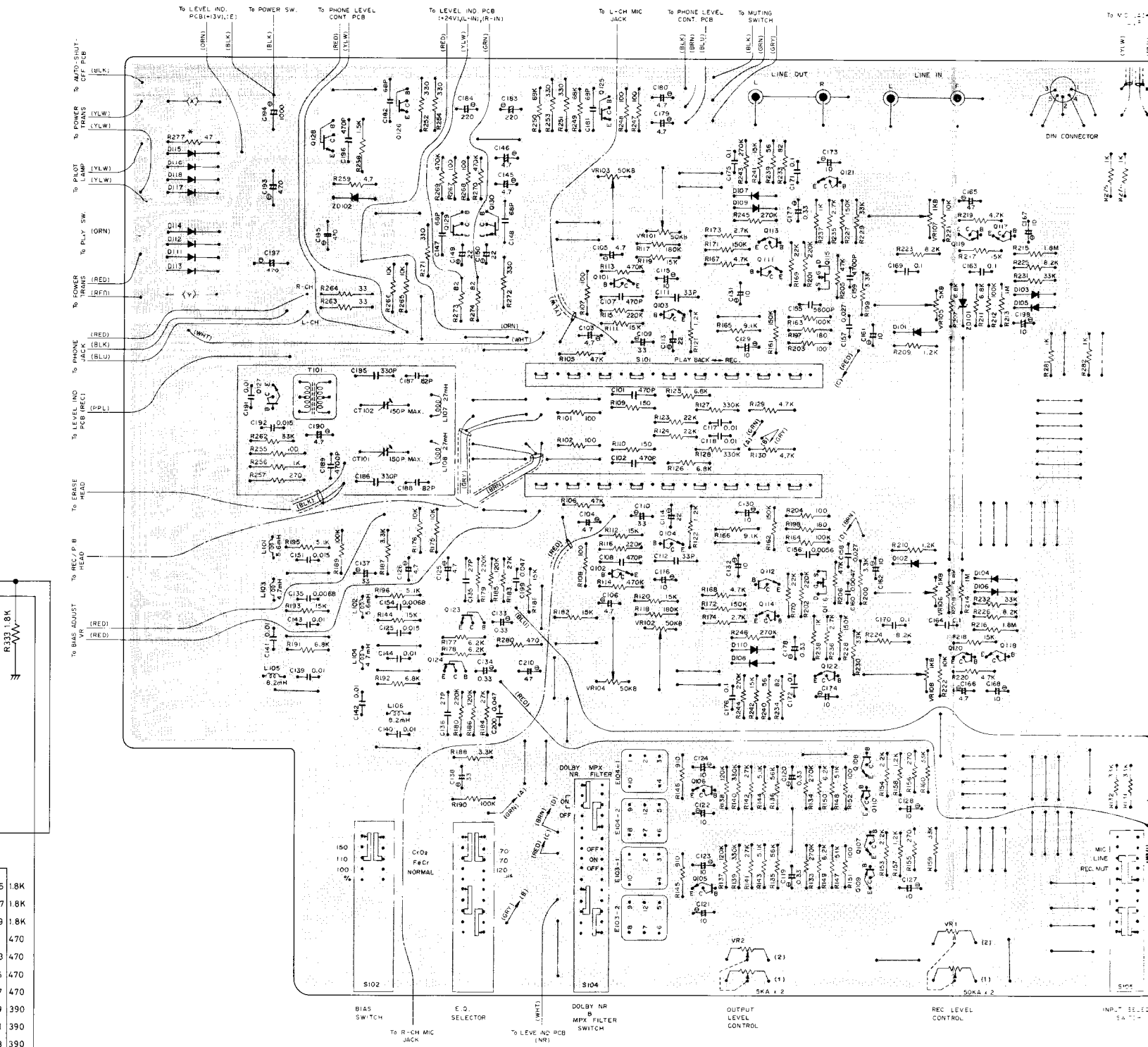
(PARTS CHANGEABLE)

	GENERAL EUROPE	UK VERSION	US VERSION
*1	ZD103	ZD103	*R255 100 OHM
*2	C1 0.047μ	C1 0.047μ	C1 0.033μ
*3	PL2	PL2	*R277 47OHM
*4	NOT USED	F103 160mA	NOT USED
*5	F101 200mA	F101 200mA	NOT USED
*6	F102 1.25A	F102 1.25A	NOT USED
*7			

SCHMATIC DIAGRAM
MODEL RD-2200



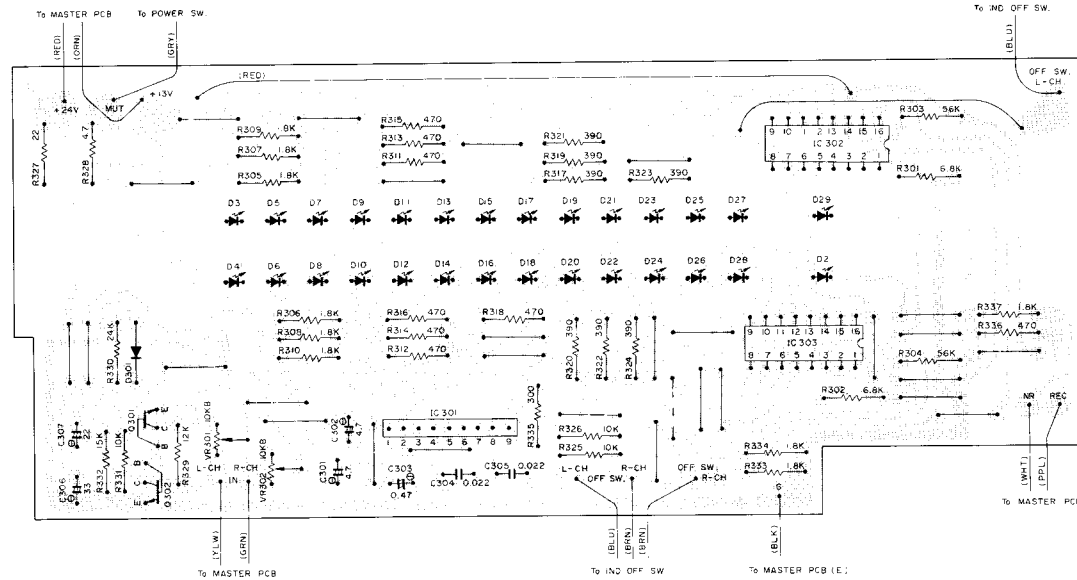
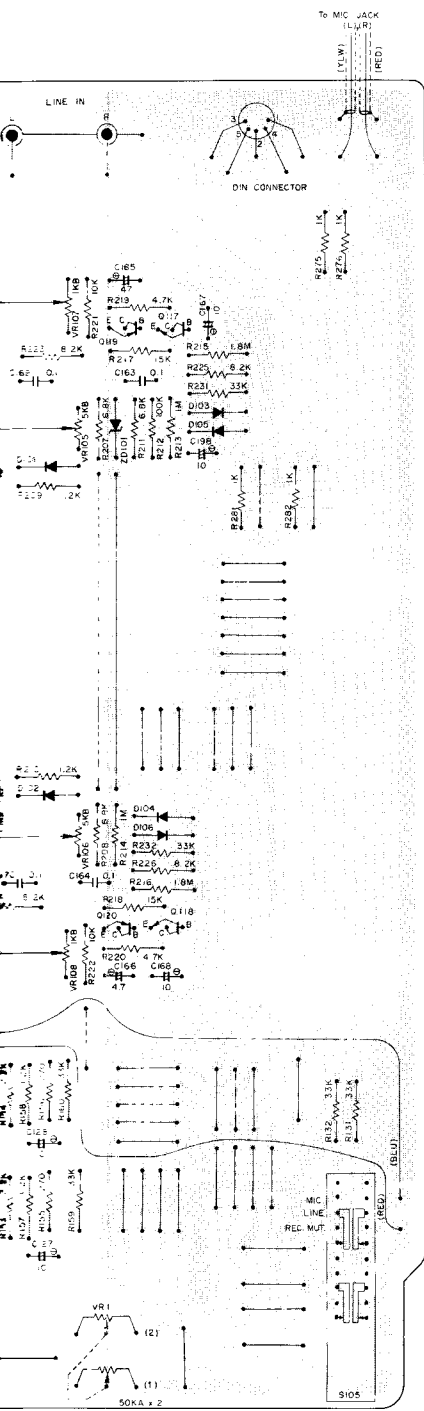
Master Circuit Board Diagram



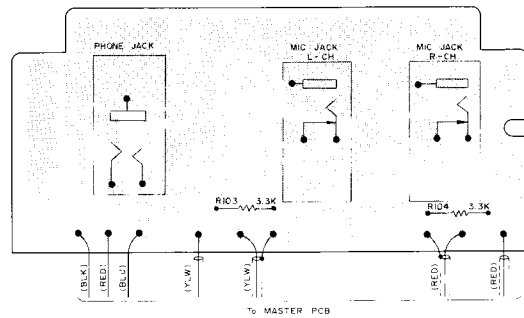
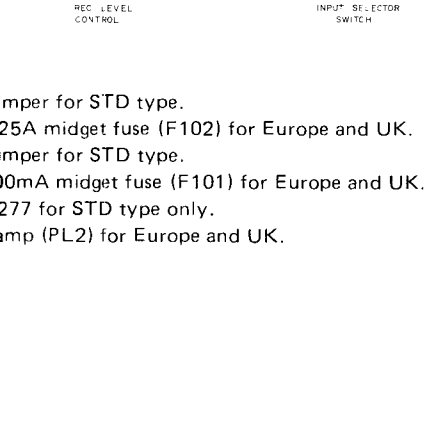
- Notes:**
1. (X): Jumper for STD type.
1.25A midget fuse (F102) for Europe and UK
 2. (Y): Jumper for STD type.
200mA midget fuse (F101) for Europe and UK
 3. * : R277 for STD type only.
Lamp (PL2) for Europe and UK.

1.8K
1.8K
1.8K
470
470
470
470
390
390
390
1.8K
1.8K
1.8K
470
470
470
390
390

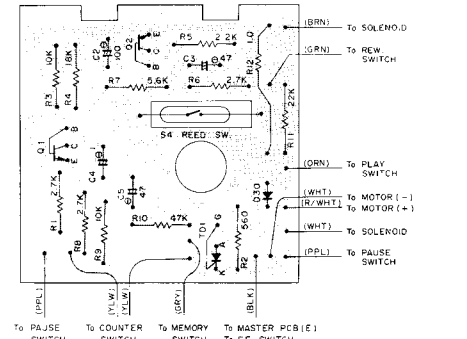
Level Indicator Circuit Board Diagram



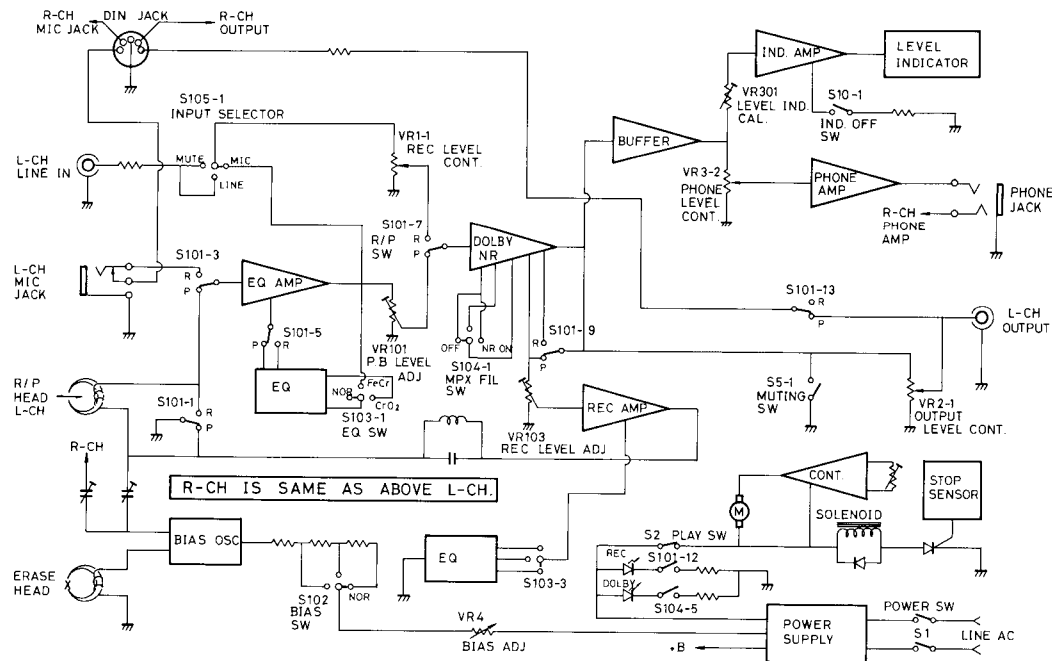
Mic and Phones Jack Circuit Board Diagram



Auto Shut-off Circuit Board Diagram



Block Diagram



amp for STD type.
 25A midget fuse (F102) for Europe and UK.
 amp for STD type.
 30mA midget fuse (F101) for Europe and UK.
 277 for STD type only.
 amp (PL2) for Europe and UK.