

TECHNICAL MANUAL

ROTEL RD-845AX

STEREO CASSETTE TAPE DECK

TABLE OF CONTENTS

Chassis Layout	1
Adjustment	2
Printed Circuit Boards.....	4
Disassembly Diagram	5
Schematic Diagram.....	8
Wiring Diagram.....	10
PC Board Ass'y Parts List.....	12

THE ROTEL CO., LTD.

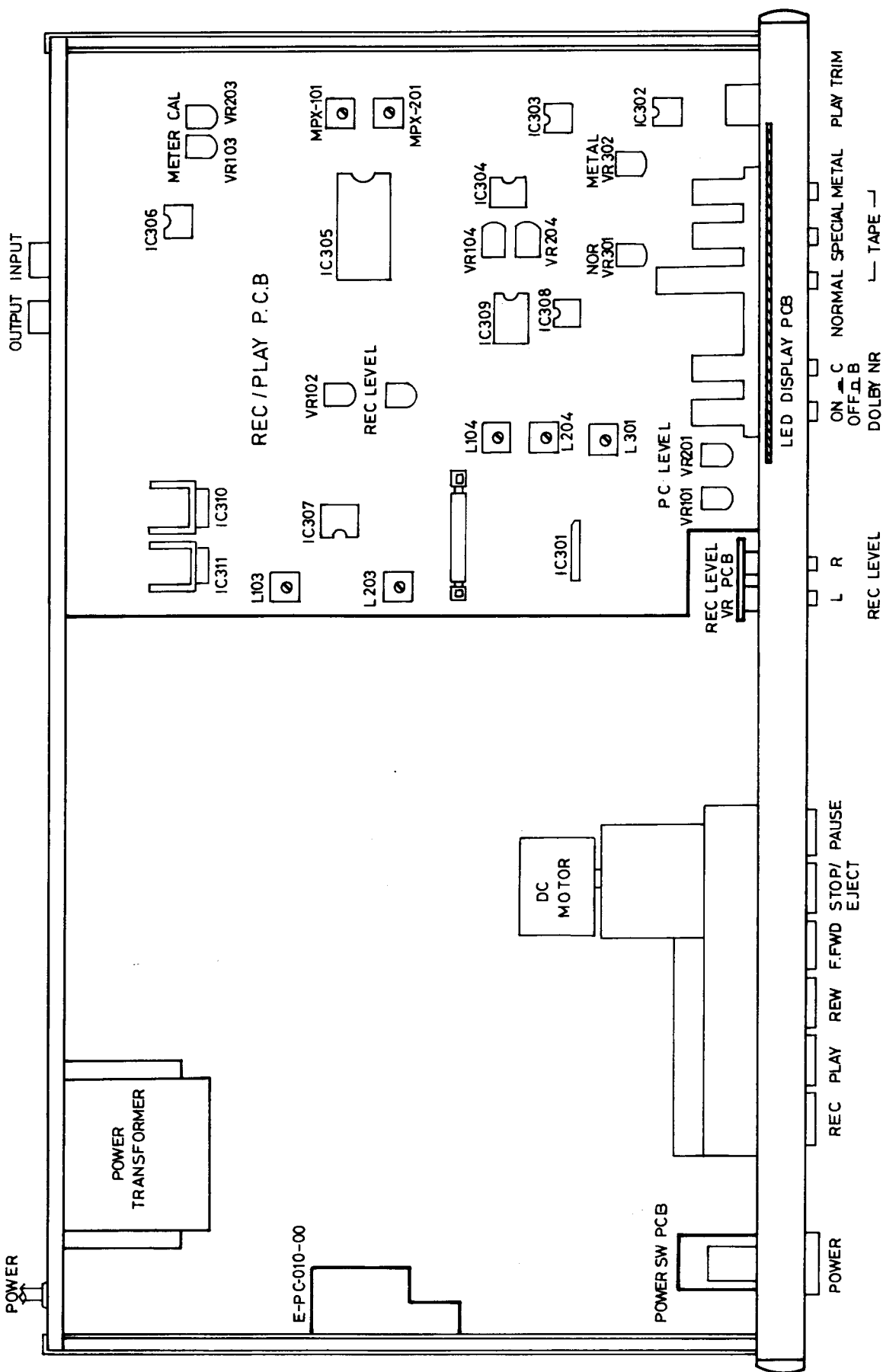
1-36-8 OHOKAYAMA, MEGURO-KU, TOKYO 152, JAPAN

ROTEL ELECTRONICS CO., LTD.

ROTEL BLDG., 3F. NO. 35, FUSING N. ROAD, TAIPEI, TAIWAN, REPUBLIC OF CHINA

MN20001846

Chassis Layout



Playback System Adjustments

Instruments: Oscilloscope, AC VTVM Frequency Counter and Test Tape
 Conditions: Oscilloscope, AC VTVM and Frequency Counter...LINE OUT Tape Selector...NORMAL
 Dolby NR...OFF

Adjustment Item	Test Tape	Adjust	Adjust for
Azimuth	TCC-153	REC/PB head screw	obtain largest wave form on Oscilloscope for both channels.
Dolby Level	TCC-130	VR101, VR201	AC VTVM reads 245mV at TP102, TP202
Playback EQ Check	TCC-183B	Output Level difference between 1KHz and 10KHz signal is within ± 3.0 dB	
Tape Speed Deflection Check/Tape Speed Adjust	TCC-112	check that allowable margin of deflecting at middle of or at the end of winding is in the range of +2% -1% (at 3000Hz allowable margin of deflection of speed is 3060-2970) If Tape Speed deflection surpasses the above range adjust speed of Motor	

Recording System Adjustments

Instruments: Oscilloscope, Signal Generator AC VTVM and Blank Tape
 Conditions: Dolby NR...OFF REC Level...Maximum

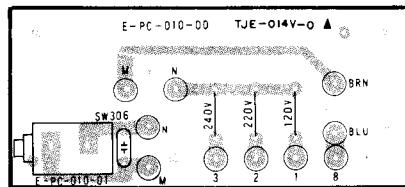
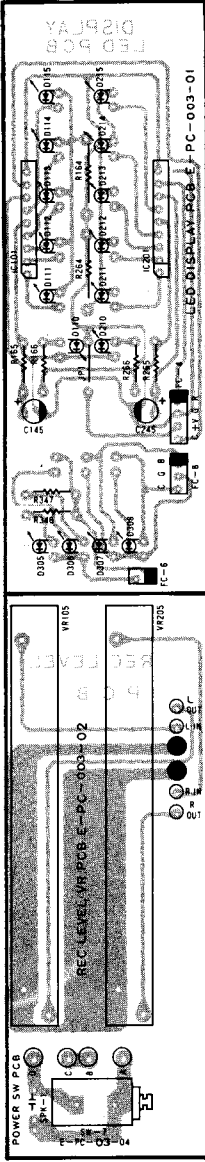
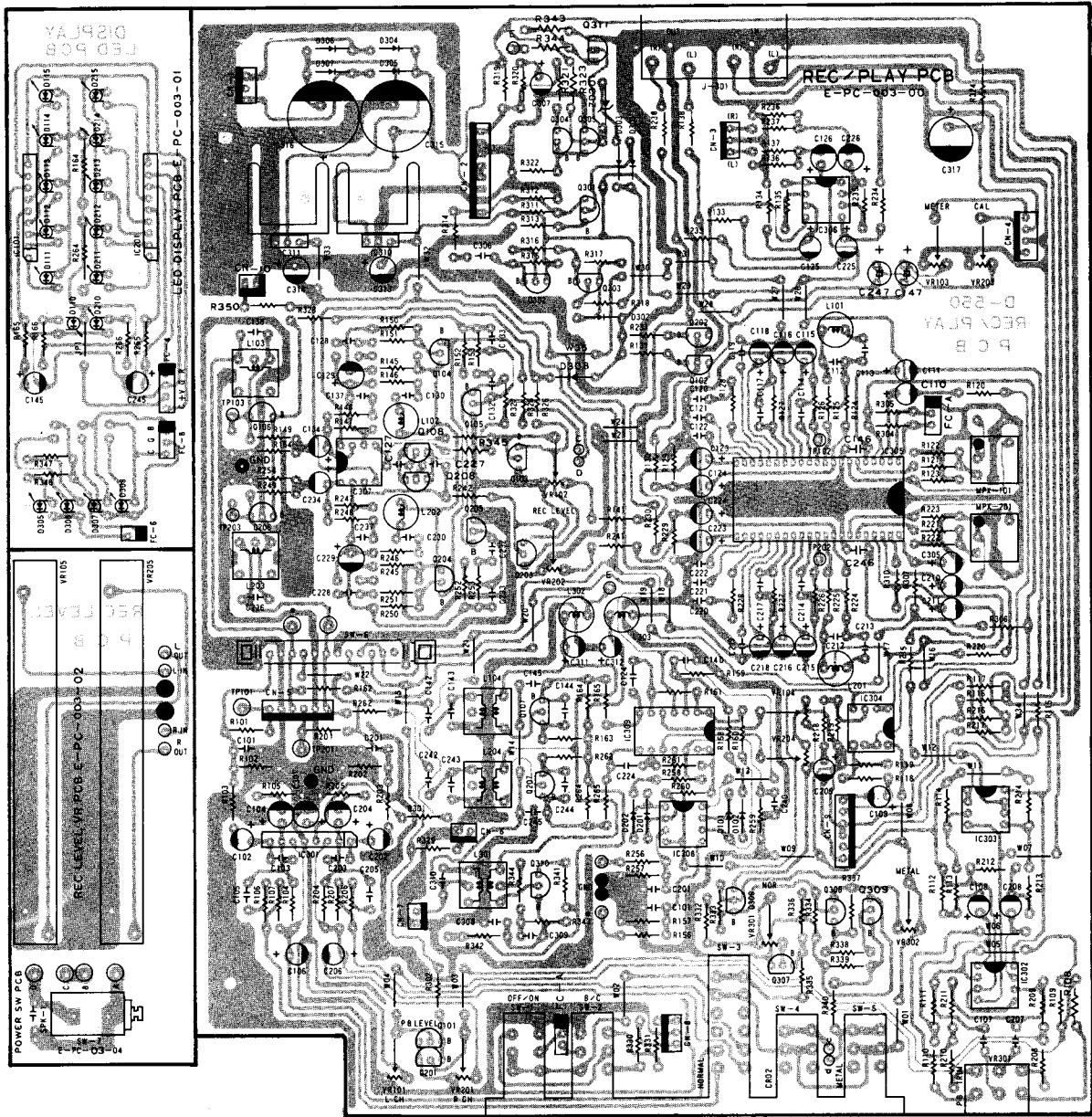
Adjustment Item	Coupling	Tape Selector	Adjust	Adjust for
Bias Carrier	Oscilloscope...Point TP103, TP203	METAL	L103 (L-Ch) L203 (R-Ch)	Obtain Min.deflection on the Oscilloscope
19KHz Filter	S.G. (400Hz 0dB)...LINE IN/LINE OUT...500mV Changed S.G.to 19KHz Dolby NR...OFF	NORMAL	MPX101 (L-Ch) MPX102 (R-Ch)	AC VTVM reads 30dB (Minimum)
Bias Voltage	Oscilloscope TP101, TP201	METAL	VR302	AC VTVM reads 9.5mV
		SPECIAL	VR104 (L-Ch) VR204 (R-Ch)	AC VTVM reads 6.5mV
		NORMAL	VR301	AC VTVM reads 5.5mV

REC/PB System Adjustments

Instruments: Signal Generator, H.D. Analyzer and Blank Tape
 Conditions : Dolby NR...OFF REC Level...Maximum PLAY, REC, PAUSE...ON

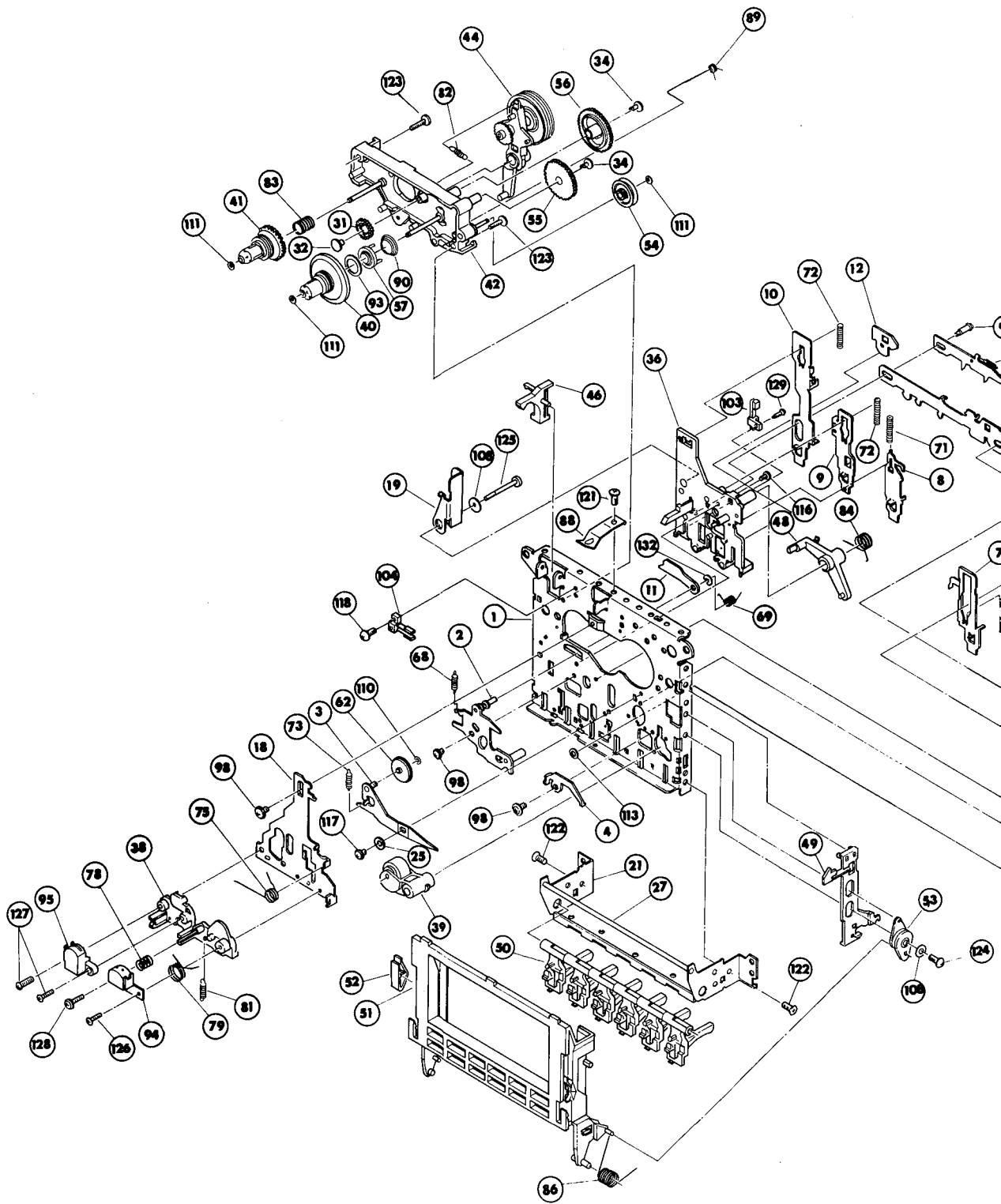
Adjustment	Conditions	Adjust	Adjust for
REC/PB Output Level	S.G. (400Hz 0dB) LINE IN/ LINE OUT...775mV Release Pause Button and playback it again	VR102(L-Ch) VR202(R-Ch)	Recording and Playback level difference must be within ± 1 dB
Distortion Check	S.G. (400Hz 0dB) LINE IN/ LINE OUT...775mV H.D. Analyzer...LINE OUT Release Pause Button and playback it again	Check that distortion is within following range. a.METAL Tape.....under 2.5% b.SPECIAL Tape.....under 2.0% c.NORMAL Tape.....under 1.5%	
	If the distortion factor exceeds the above, recheck Bias Current Adjustment		
Frequency Response Check	METAL Tape insert it	VR302	40Hz-125Hz...5dB 125Hz-10KHz...3dB 10KHz-15KHz...5dB
	SPECIAL Tape insert it	VR104(L-Ch) VR204(R-Ch)	
	NORMAL Tape insert it	VR301	40Hz-125Hz...5dB 125Hz-10KHz...3dB 10KHz-14KHz...5dB

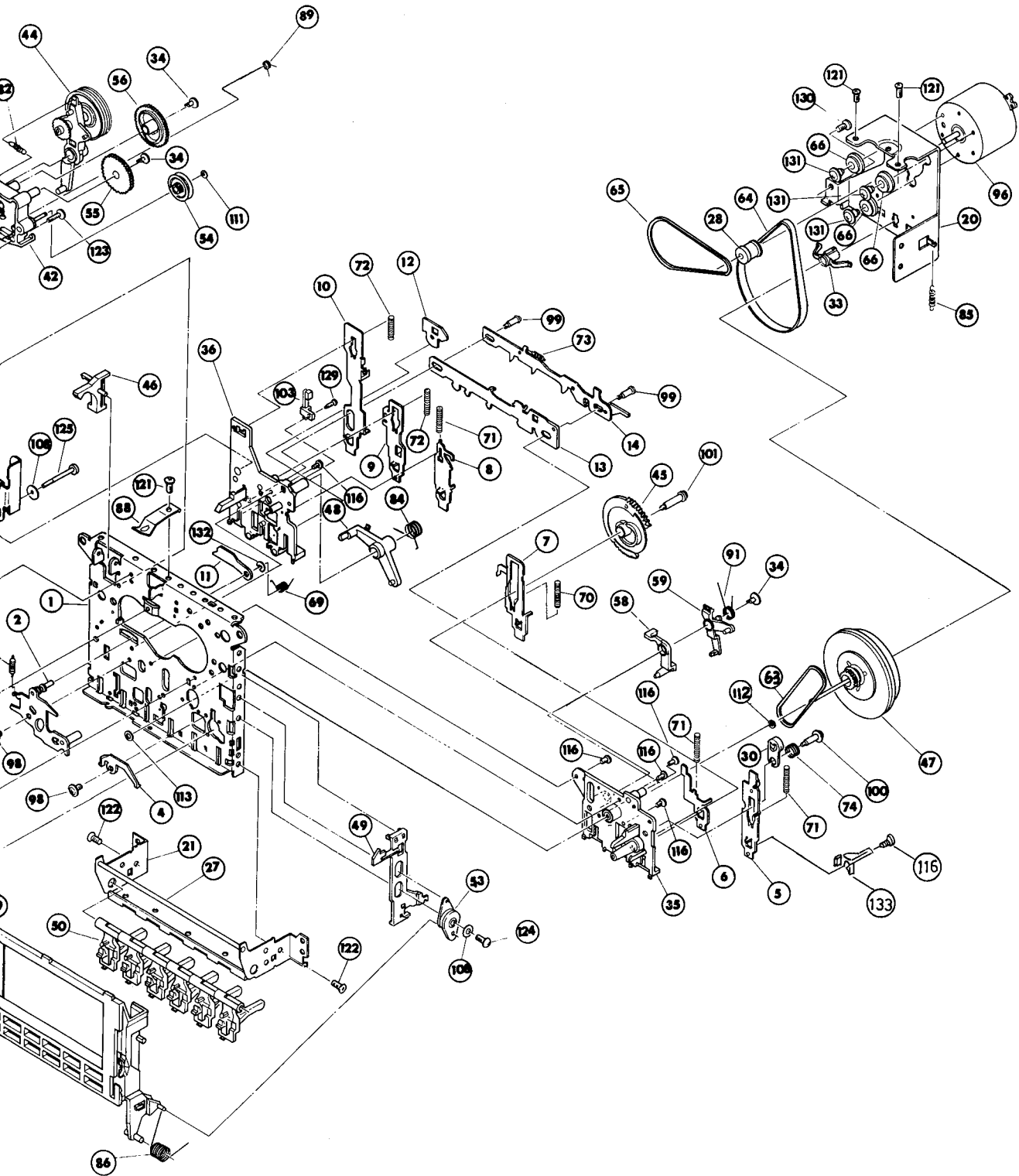
Printed Circuit Boards



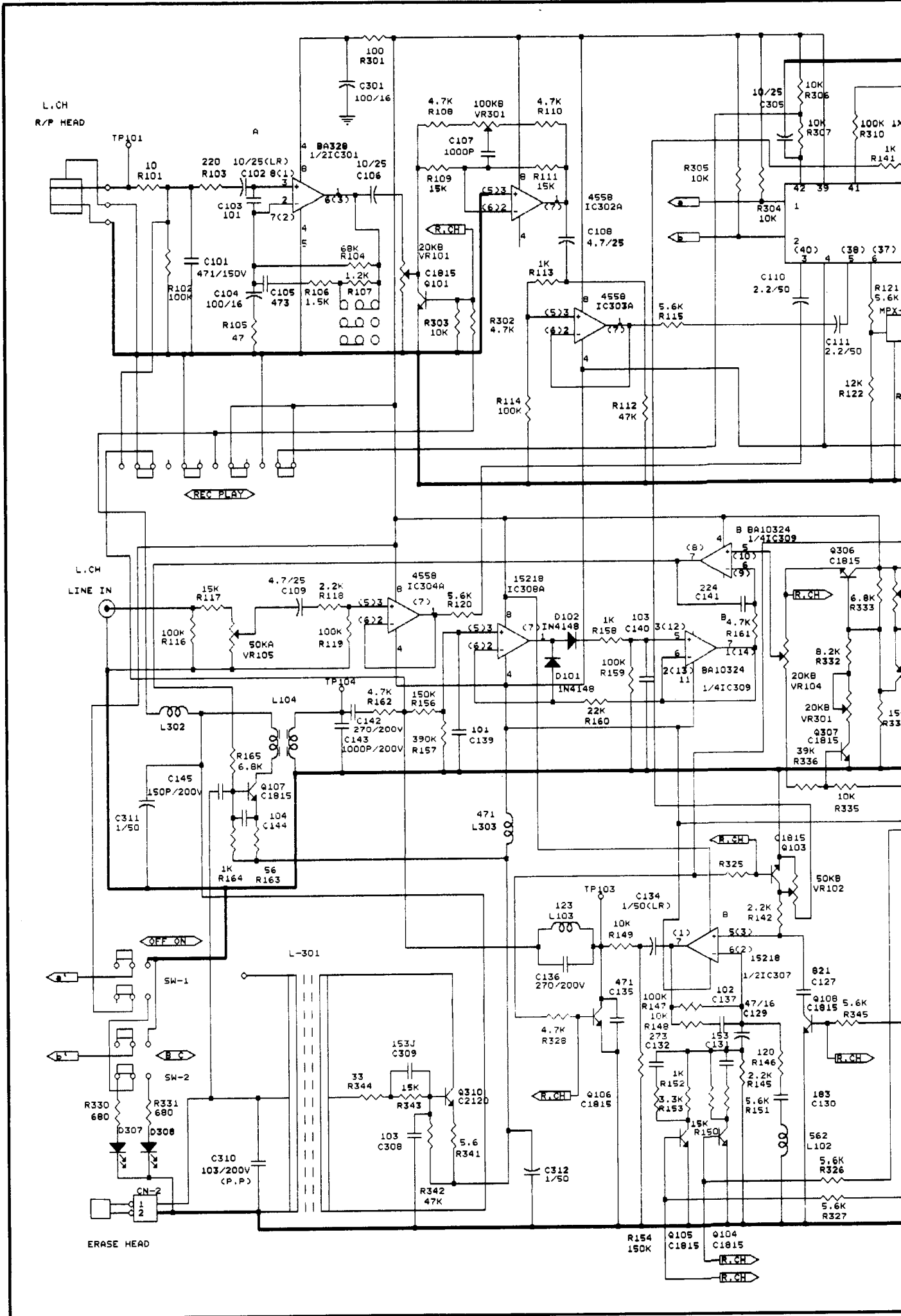
Disassembly Diagram

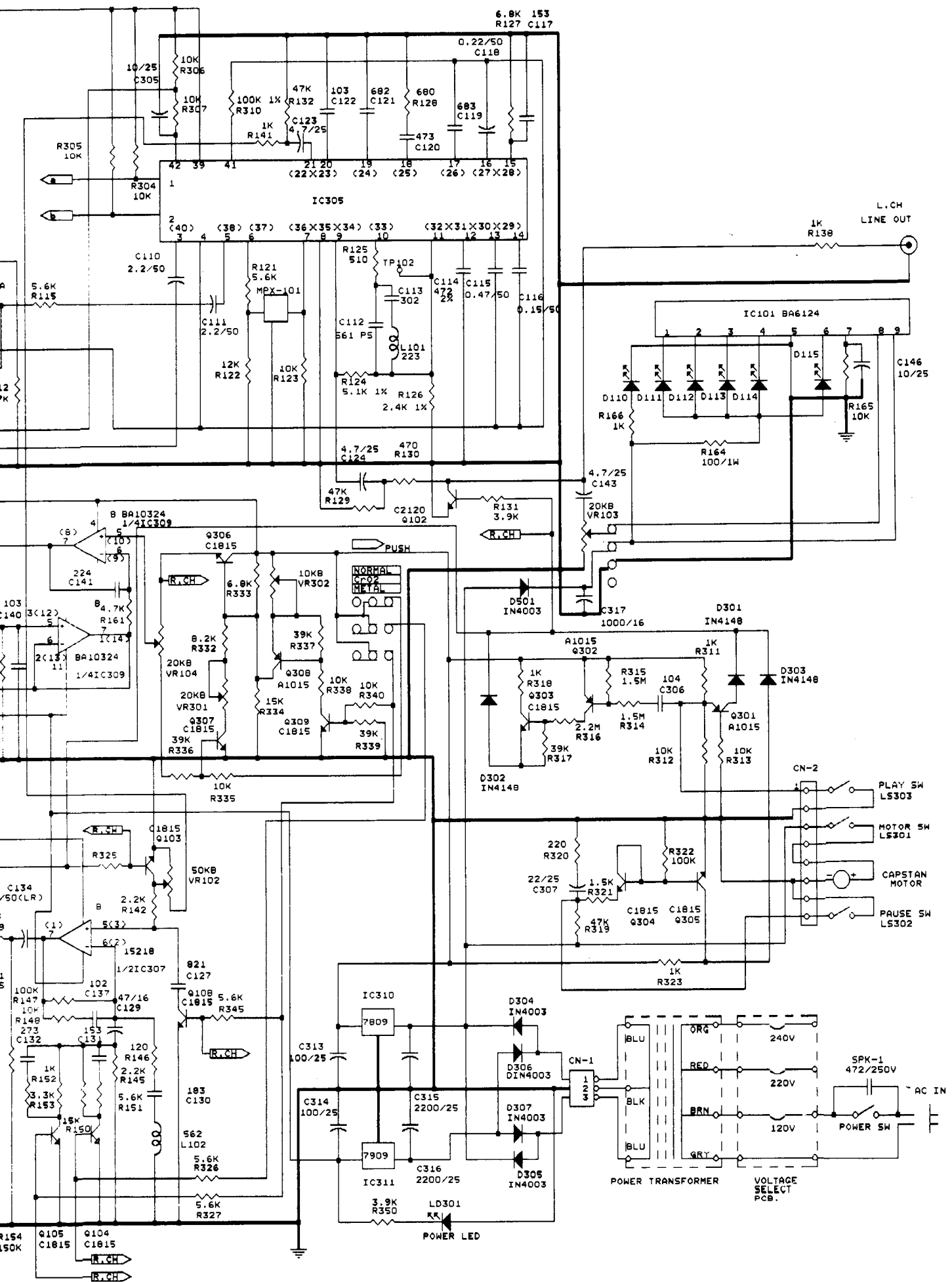
NO.	PARTS NO.	DESCRIPTION	NO.	PARTS NO.	DESCRIPTION
1	MA 1141	CHASSIS	68	MD 6055	SHIFT ARM SPRING
2	MD 1242	SHIFT ARM ASS'Y	69	MD 6019	REC LEVER SPRING (B)
3	MD 1173	IDLER ARM (HT) ASS'Y	70	MD 6038	FF LEVER SPRING
4	MD 1004	PAUSE ARM	71	MD 6005	REW LEVER SPRING
5	MD 1165	PAUSE LEVER (B) ASS'Y	72	MD 6003	LEVER SPRING
6	MD 1223	STOP LEVER	73	MD 6006	CAM SPRING
7	MD 1234	FF LEVER (B)	74	MD 6007	PAUSE CAM SPRING
8	MD 1235	REW LEVER (B)	75	MD 6010	HEAD CHASSIS SPRING
9	MD 1236	PLAY LEVER (B)	76		
10	MD 1238	REC LEVER (C)	77		
11	MDS 1108	REC LEVER (BH)	78	KD 6009	HEAD SPRING
12	MD 1061	INTER LOCK ARM	79	MD 6060	P ROLLER SPRING
13	MC 1035	LOCK CAM (A)	80		
14	MD 1045	LOCK CAM (B) ASS'Y	81	MD 6001	HEAD CHASSIS RETURN SPRING
15			82	MD 6035	CLUTCH ARM SPRING
16			83	MD 6102	BACK TENSION SPRING
17			84	MD 6050	LOCK ARM SPRING
18	MC 1287	HEAD CHASSIS	85	MD 6040	EJECT LEVER SPRING
19	MD 1292	REC ARN	86	MD 6079	CASSETTE CASE SPRING
20	MC 1062	MOTOR HOLDER	87		
21	MC 1131	BUTTON HOLDER (B)	88	MDS 1097	PACK SPRING
22			89	MD 6062	AUTO SENSOR SPRING
23			90	MD 6088	AUTO CLUTCH SPRING
24			91	MD 6017	AUTO LOCK ARM SPRING
25	MD 2033	COLLAR	92		
26			93	8356709511	AUTO CLUTCH FELT
27	MD 2057	BUTTON SHAFT	94		RP HEAD HAYEH44E50
28	MD 2041	MOTOR PULLEY	95		E HEAD HAJAB30A50
29			96	91300014	MOTOR EG500Ad-2B
30	MC 3014	PAUSE CAM	97		
31	MD 3015	FF GEAR	98	MD 8002	SCREW (A)
32	KD 3052	BUSH	99	MD 8003	SCREW (B)
33	LC 3014	CAPSTAN HOLDER	100	MD 8004	SCREW (C)
34	MD 3047	BUSH	101	MD 8005	SCREW (D)
35	MD 3189	LEVER HOLDER (A) ASS'Y	102		
36	MB 3190	LEVER HOLDER (B)	103	94019051	LEAF SWITCH
37			104	94019010	LEAF SWITCH
38	MC 3091	HEAD BASE	105		
39	MD 3072	P ROLLER ARM ASS'Y	106		
40	MD 3153	T REEL ASS'Y	107		
41	MD 3154	S REEL ASS'Y	108	8233029754	PLAIN WASHER (L) 2.6F
42	MC 3156	REEL BASE ASS'Y (B)	109		
43			110	8342112002	POLYSLIDER WASHER 1.2Fx3.5Fx0.25T
44	MD 3036	CLUTCH ARM ASS'Y	111	8342117009	POLYSLIDER WASHER 1.7Fx3.5Fx0.25T
45	MC 3083	GEAR (C)	112	8342121030	POLYSLIDER WASHER 2.1Fx5.0Fx0.25T
46	MC 3021	REAR SENSOR	113	8340419002	OIL STOP WASHER 1.9Fx5.0Fx0.5T
47	MD 3061	FLYWHEEL ASS'Y (I)	114		
48	MC 3086	LOCK ARM (H)	115		
49	MD 3025	EJECT LEVER (F)	116	8213112004	TAP TITE SCREW 2x4
50	MC 3039	BUTTON LEVER	117	8213112005	TAP TITE SCREW 2x5
51	MB 3091	CASSETTE CASE	118	8213112006	TAP TITE SCREW 2x6
52	MD 3081	CASSETTE CLAMP	119		
53	MD 3084	DAMPER ASS'Y	120		
54	MD 3066	AUTO PULLEY	121	8213112604	TAP TITE SCREW 2.6x4
55	MD 3065	AUTO GEAR	122	8211312605	FLAT TAP TITE SCREW 2.6x5
56	MD 3044	AUTO CAM GEAR	123	8213512603	BIND TAP TITE SCREW 2.6x8
57	MD 3130	AUTO CLUTCH	124	8213112613	TAP TITE SCREW 2.6x13
58	MD 3043	AUTO ARM (B)	125	8213112622	DIA SCREW 2.6x22
59	MD 3042	AUTO LOCK ARM	126	8215512009	BINDING SCREW 2x9
60			127	8215512095	BINDING SCREW 2x9.5
61			128	8215812009	WASHER HEAD SCREW 2x9
62	MD 4001	PLAY IDLER	129	8214112605	TAPPING SCREW 2.6x5
63	MD 4003	AUTO BELT	130	8214152606	TAPPING SCREW 2.6x6
64	MD 4006	DRIVE BELT	131	SD 8511	MOTOR SCREW
65	MD 4008	FR BELT	132	8220002004	E RING
66	MD 4002	MOTOR CUSHION	133	MD 1189	SW LEVER
67					



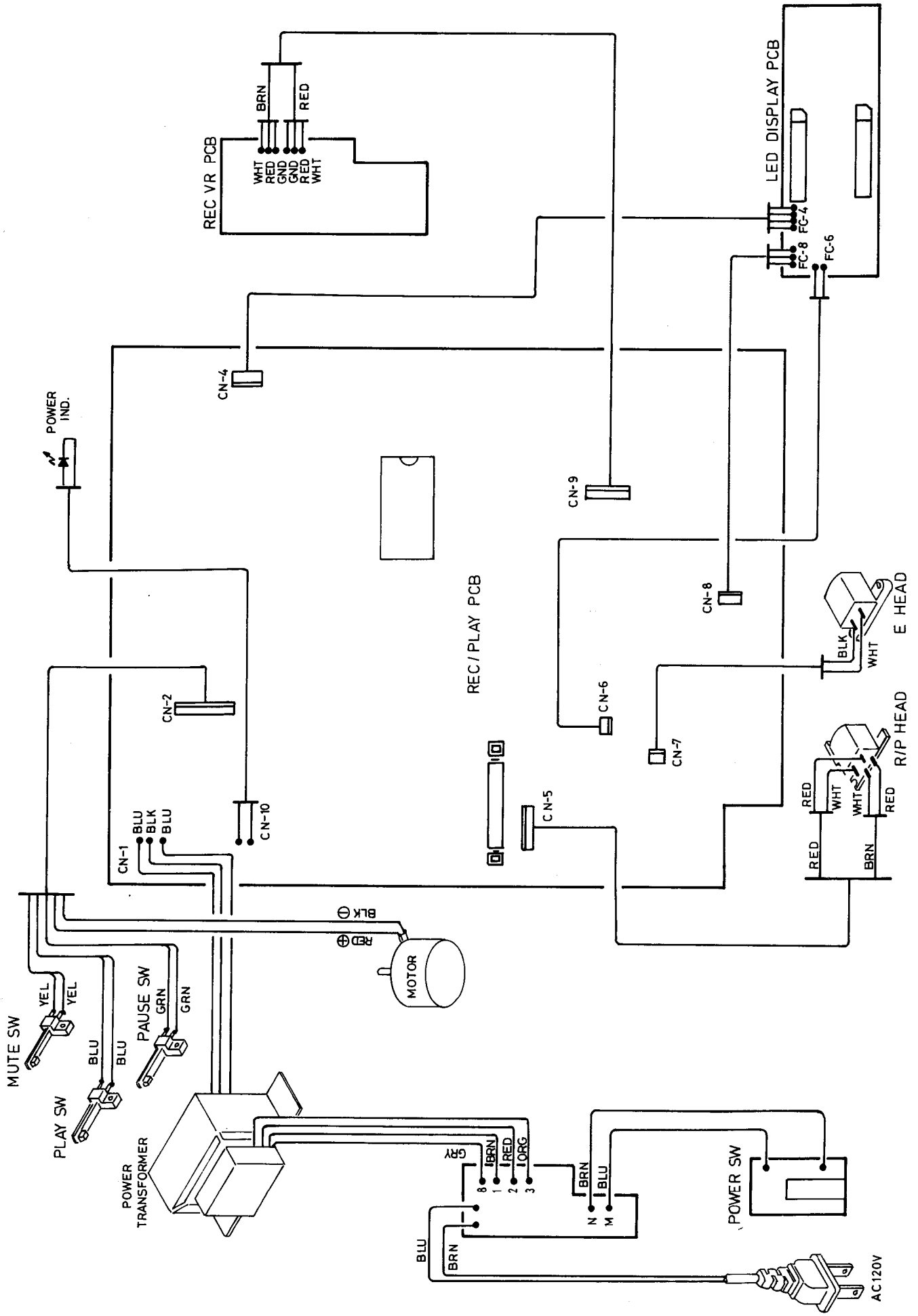


Schematic Diagram





Wiring Diagram



Parts List

NOTE: THE COMPONENTS IDENTIFIED BY Δ MARK ARE FOR SAFETY. REPLACE ONLY WITH ORIGINAL PARTS. DO NOT SUBSTITUTE

SYMBOL	PARTS NO.	DESCRIPTION
E-PC-003-00 PCB ASSEMBLY		
R101,201	DK60000028	R,CARBON 10 J 1/4W
R105,205	DK60000041	R,CARBON 47 J 1/4W
R163,263	DK60000053	R,CARBON 56 J 1/4W
R146,246	DK60000077	R,CARBON 180 J 1/4W
R103,203	DK60000089	R,CARBON 220 J 1/4W
R125,225	DK60000090	R,CARBON 510 J 1/4W
R128,228	DK60000107	R,CARBON 680 J 1/4W
R130,230	DK60000119	R,CARBON 1K J 1/4W
R141,241	DK60000119	R,CARBON 1K J 1/4W
R138,238	DK60000119	R,CARBON 1K J 1/4W
R164,264	DK60000119	R,CARBON 1K J 1/4W
R158,258	DK60000119	R,CARBON 1K J 1/4W
R113,213	DK60000119	R,CARBON 1K J 1/4W
R107,207	DK60000120	R,CARBON 1.2K J 1/4W
R106,206	DK60000132	R,CARBON 1.5K J 1/4W
R118,218	DK60000144	R,CARBON 2.2K J 1/4W
R142,242	DK60000144	R,CARBON 2.2K J 1/4W
R145,245	DK60000144	R,CARBON 2.2K J 1/4W
R151,251	DK60000156	R,CARBON 2.7K J 1/4W
R152,252	DK60000156	R,CARBON 2.7K J 1/4W
R153,253	DK60000168	R,CARBON 3.3K J 1/4W
R131,231	DK60000170	R,CARBON 3.9K J 1/4W
R150,250	DK60000181	R,CARBON 4.7K J 1/4W
R161,261	DK60000181	R,CARBON 4.7K J 1/4W
R110,210	DK60000181	R,CARBON 4.7K J 1/4W
R108,208	DK60000181	R,CARBON 4.7K J 1/4W
R115,215	DK60000193	R,CARBON 5.6K J 1/4W
R120,220	DK60000193	R,CARBON 5.6K J 1/4W
R121,221	DK60000193	R,CARBON 5.6K J 1/4W
R127,227	DK60000200	R,CARBON 6.8K J 1/4W
R148,248	DK60000223	R,CARBON 10K J 1/4W
R149,249	DK60000223	R,CARBON 10K J 1/4W
R123,223	DK60000223	R,CARBON 10K J 1/4W
R122,222	DK60000235	R,CARBON 12K J 1/4W
R109,209	DK60000247	R,CARBON 15K J 1/4W
R111,211	DK60000247	R,CARBON 15K J 1/4W
R117,217	DK60000259	R,CARBON 22K J 1/4W
R112,212	DK60000259	R,CARBON 22K J 1/4W
R160,260	DK60000259	R,CARBON 22K J 1/4W
R129,229	DK60000272	R,CARBON 47K J 1/4W
R147,247	DK60000284	R,CARBON 100K J 1/4W
R116,216	DK60000284	R,CARBON 100K J 1/4W
R114,214	DK60000284	R,CARBON 100K J 1/4W
R119,219	DK60000284	R,CARBON 100K J 1/4W
R159,259	DK60000284	R,CARBON 100K J 1/4W
R102,202	DK60000284	R,CARBON 100K J 1/4W
R104,204	DK60000284	R,CARBON 100K J 1/4W
R154,254	DK60000296	R,CARBON 150K J 1/4W
R157,257	DK60000314	R,CARBON 390K J 1/4W
R126,236	DK60000338	R,METAL 2.4K J 1/4W
R124,224	DK60000340	R,METAL 5.1K J 1/4W
R156,256	DK60000302	R,CARBON 2202K J 1/4W
D101,201	DK30000105	DIODE 1N4148
D102,202	DK30000105	DIODE 1N4148
Q101,201	DK30000142	TRANSISTOR 2SC1815
Q102,202	DK30000129	TRANSISTOR 2SC2120
Q103,203	DK30000142	TRANSISTOR 2SC1815
Q104,204	DK30000142	TRANSISTOR 2SC1815
Q105,205	DK30000142	TRANSISTOR 2SC1815
Q106,206	DK30000142	TRANSISTOR 2SC1815
Q107,207	DK30000129	TRANSISTOR 2SC1318
Q108,208	DK30000142	TRANSISTOR 2SC1815
	IC30000075	IC AN7809
	IC30000087	IC AN7909
C119,219	DK50000214	CAP,MYLAR 683J 50V
C144,244	DK50000226	CAP,MYLAR 104J 50V
C124,224	DK50000238	CAP,MYLAR 224J 50V

SYMBOL	PARTS NO.	DESCRIPTION
C113,213	DK50000123	CAP,MYLAR 302J 50V
C114,214	DK50000135	CAP,MYLAR 472J 50V
C121,221	DK50000147	CAP,MYLAR 682J 50V
C122,222	DK50000159	CAP,MYLAR 103J 50V
C140,240	DK50000159	CAP,MYLAR 103J 50V
C117,217	DK50000160	CAP,MYLAR 153J 50V
C130,230	DK50000172	CAP,MYLAR 183J 50V
C128,228	DK50000184	CAP,MYLAR 223J 50V
C132,232	DK50000196	CAP,MYLAR 273J 50V
C105,205	DK50000202	CAP,MYLAR 473J 50V
C120,220	DK50000202	CAP,MYLAR 473J 50V
C145,245	DK50000251	CAP,STYROL 150PF 200V
C136,236	DK50000263	CAP,STYROL 270PF 200V
C142,242	DK50000263	CAP,STYROL 270PF 200V
C101,201	DK50000275	CAP,STYROL 560PF 150V
C143,243	DK50000287	CAP,STYROL 1000P 150V
C107,207	DK50000299	CAP,STYROL 1000PF 50V
C116,216	DK50000019	CAP,ELEC. 0.15uF 50V
C137,237	DK50000019	CAP,ELEC. 0.15uF 50V
C118,218	DK50000020	CAP,ELEC. 0.22uF 50V
C115,215	DK50000032	CAP,ELEC. 0.47uF 50V
C134,234	DK50000342	CAP,ELEC. 1uF 50V (L,R)
C109,209	DK50000044	CAP,ELEC. 1uF 50V
C110,210	DK50000056	CAP,ELEC. 2.2uF 50V
C111,211	DK50000056	CAP,ELEC. 2.2uF 50V
C108,208	DK50000068	CAP,ELEC. 4.7uF 50V
C123,223	DK50000068	CAP,ELEC. 4.7uF 50V
C124,224	DK50000068	CAP,ELEC. 4.7uF 50V
C147,247	DK50000068	CAP,ELEC. 4.7uF 50V
C102,202	DK50000354	CAP,ELEC. 10uF 25V (L,R)
C129,229	DK50000081	CAP,ELEC. 47uF 16V
C106,206	CE51006477	CAP,ELEC. 041 50BGF10M
C104,204	CE54706772	CAP,ELEC. 041 16BGF47M
C227	DK50000305	CAP,CERAMIC 820P 50V
C112,212	DK50000317	CAP,CERAMIC 560PF 50V
C146,246	DK50000317	CAP,CERAMIC 560PF 50V
C127	DK50000317	CAP,CERAMIC 560PF 50V
C101,201	DK50000329	CAP,CERAMIC 100PF 50V
C103,203	DK50000329	CAP,CERAMIC 100PF 50V
L101,201	DK40000023	COIL 223K
L102,202	DK40000035	COIL 562K
MPX101	DK40000060	COIL 5332-400W027
MPX201	DK40000060	COIL 5332-400W027
L104,204	DK40000072	COIL 4313-400W112
L103,203	DK40000084	COIL L16-400-027
VR101,202	DK60000387	SEMI-FIXED RES. 103K
VR102,202	DK60000405	SEMI-FIXED RES. 503K
VR103,203	DK60000399	SEMI-FIXED RES. 203K
VR104,204	DK60000399	SEMI-FIXED RES. 203K
SW1-5	DK70000013	PUSH SW SPUN 52A005-RK
SW6	DK70000025	R/P SW SPUN 14N001-RK
R341	DK60000016	R,CARBON 5.6 J 1/4W
R344	DK60000030	R,CARBON 33 J 1/4W
R301,320	DK60000065	R,CARBON 100 J 1/4W
R330,331	DK60000107	R,CARBON 680 J 1/4W
R321,318	DK60000119	R,CARBON 1K J 1/4W
R323	DK60000132	R,CARBON 1.5K J 1/4W
R350	DK60000170	R,CARBON 3.9K J 1/4W
R325,326	DK60000193	R,CARBON 5.6K J 1/4W
R327	DK60000193	R,CARBON 5.6K J 1/4W
R302	DK60000193	R,CARBON 5.6K J 1/4W
R345	DK60000193	R,CARBON 5.6K J 1/4W
R328	DK60000193	R,CARBON 5.6K J 1/4W
R333	DK60000200	R,CARBON 6.8K J 1/4W
R332	DK60000211	R,CARBON 8.2K J 1/4W
R344	DK60000223	R,CARBON 10K J 1/4W
R312,313	DK60000223	R,CARBON 10K J 1/4W
R316	DK60000223	R,CARBON 10K J 1/4W
R304,305	DK60000223	R,CARBON 10K J 1/4W

SYMBOL	PARTS NO.	DESCRIPTION
R307	DK60000223	R,CARBON 10K J 1/4W
R306	DK60000223	R,CARBON 10K J 1/4W
R334,335	DK60000247	R,CARBON 15K J 1/4W
R338,340	DK60000340	R,CARBON 15K J 1/4W
R343	DK60000247	R,CARBON 15K J 1/4W
R319,337	DK60000260	R,CARBON 33K J 1/4W
R317	DK60000272	R,CARBON 47K J 1/4W
R336,339	DK60000272	R,CARBON 47K J 1/4W
R342	DK60000272	R,CARBON 47K J 1/4W
R343	DK60000284	R,CARBON 100K J 1/4W
R322	DK60000296	R,CARBON 150K J 1/4W
R314,315	DK60000326	R,CARBON 1.5M J 1/4W
R310	DK60000351	R,METAL 100K J 1/4W
ZD301	DK30000099	DIODE ZD9V
D301-303	DK30000105	DIODE 1N4148
D308	DK30000105	DIODE 1N4148
D304-307	DK30000117	DIODE 1N4003
D324	DK30000117	DIODE 1N4003
Q301,302	DK30000154	TRANSISTOR 2SA1015
Q303-307	DK30000142	TRANSISTOR 2SC1815
Q308	DK30000154	TRANSISTOR 2SA1015
Q310	DK30000130	TRANSISTOR 2SC2120
Q309,311	DK30000142	TRANSISTOR 2SC1815
IC301	DK30000221	IC BA328
IC302-304	DK30000040	IC BA4558
IC305	DK30000014	IC CX20187
IC307	DK30000038	IC BA15218
IC308	DK30000051	IC TL-072CP
IC309	DK30000026	IC BA-10324
L301	DK40000059	COIL 4309-400W056
L302,303	DK40000047	COIL 471K
C301	CE61005743	CAP,ELEC. 041 16BGF100M
C305,307	DK50000070	CAP,ELEC. 10uF 25V
C308	DK50000159	CAP,MYLAR 103J 50V
C309	DK50000160	CAP,MYLAR 153J 50V
C311,312	DK50000044	CAP,ELEC. 1uF 50V
C313,314	DK50000093	CAP,ELEC. 100uF 25V
C315,316	DK50000100	CAP,ELEC. 2200uF 25V
VR301	DK60000363	VARIABLE RES. RK16312AA306-RK
VR302	DK60000387	SEMI-FIXED RES.103K
E-PC-003-01 PCB ASSEMBLY		
R164,264	DK60000417	R,METAL 100 1W
R165,265	DK60000223	R,CARBON 10K J 1/4W
R166,266	DK60000119	R,CARBON 1K J 1/4W
R346,347	DK60000107	R,CARBON 680 J 1/4W
D110-113	DK30000208	LED GREEN 5F
D210-213	DK30000208	LED GREEN 5F
D114,115	DK30000210	LED RED 5F
D214,215	DK30000210	LED RED 5F
D305	DK30000178	LED RED 2x5
D307	DK30000191	LED GREEN 2x5
D308	DK30000180	LED YELLOW 2x5
IC101,201	DK30000063	IC BA6124
C145,245	DK50000366	CAP,ELEC. 10uF 25V
E-PC-003-02 PCB ASSEMBLY		
VR105,205	DK60000375	SLIDE VARIABLE RES. RS60Y11G4005-RK
E-PC-03-04-0 PCB ASSEMBLY		
SW7	DK70000037	POWER SWITCH 1007K Δ
SPK-1	DK50000330	SPARK KILLER FZ472P Δ

SYMBOL	PARTS NO.	DESCRIPTION
E-PC-010-00 PCB ASSEMBLY		
DK80000101	UL2547#28 7/0.127 190MM	
OTHERS		
DK10000021	FRONT CHASSIS 4TQJ-2	
DK10000045	BOTTOM BAORD 4TQJ-4	
DK10000057	SIDE CHASSIS (L) 4TQJ-5	
DK10000069	SIDE CHASSIS (R) 4TQJ-6	
DK10000094	COUNTER BELT 52F	
DK10000082	TAPE COUNTER 4TQJ-7	
DK30000166	LED 1x5 RED	
DK70000049	REC SPRING 4TQJ-26	
DK70000050	PCB SUPPORT 4TQJ-27	
DK70000074	RUBBER FOOT 4TQJ-29	
DK10000070	CASSETTE DECK ASS'Y GDES90FMF	
DK10000100	TAPE ORNAMENTAL PLATE 4TQJ-8	
DK10000033	PRINTED REAR CASSIS 4TQJ-3	
DK10000264	DECK BUTTON 4TQJ-24	
DK10000124	CASSETTE DOOR PLATE 4TQJ-10	
DK10000136	ACRYLIC DOOR PLATE 4TQJ-11	
DK40000011	POWER TRANSFORMER RD-845AX-1 Δ	
DK70000086	AC POWER CORD 4TQJ-30 Δ	
DK70000098	AC CORD STOPPER SR-4RF-6	
DK10000010	FRONT PANEL 4TQJ-1	
DK10000112	LED ORNAMENTAL PLATE 4TQJ-9	
DK10000215	LED ACRYLIC PLATE 4TQJ-19	
DK10000148	ORNAMENTAL SIDE PLATE (L) 4TQJ-12	
DK10000150	ORNAMENTAL SIDE PLATE (R) 4TQJ-13	
DK10000227	POWER BUTTON RING 4TQJ-20	
DK10000239	PUSH BUTTON RING 4TQJ-21	
DK10000240	TAPE COUNTER FRAME 4TQJ-22	
DK10000252	REC VR FRAME 4TQJ-23	
DK10000173	POWER BUTTON 4TQJ-15	
DK70000153	PUSH BUTTON CONNECTOR 4TQJ-36	
DK70000128	BUTTON SPRING 4TQJ-33	
DK10000161	KNOB 13F 4TQJ-14	
DK10000185	PUSH BUTTON 4TQJ-16	
DK10000197	SLIDE BUTTON 4TQJ-17	
DK10000276	UPPER COVER 4TQJ-25	