

ROTEL *hiFi*

RD-960BX

Stereo Cassette Tape Deck

Technical Manual

TABLE OF CONTENTS

Specifications	1
Chassis Layout.....	1
Adjustment.....	2
PC Board Ass'y Parts List	4
Printed Circuit Boards	7
Wiring Diagram	9
Schematic Diagram	10
Disassembly Diagram.....	12

THE ROTEL CO., LTD.

1-36-8, OHOKAYAMA, MEGURO-KU, TOKYO 152, JAPAN

ROTEL ELECTRONICS CO., LTD.

3F-2, NO.35, FU HSING NORTH ROAD, TAIPEI, TAIWAN, REPUBLIC OF CHINA

MN20002255

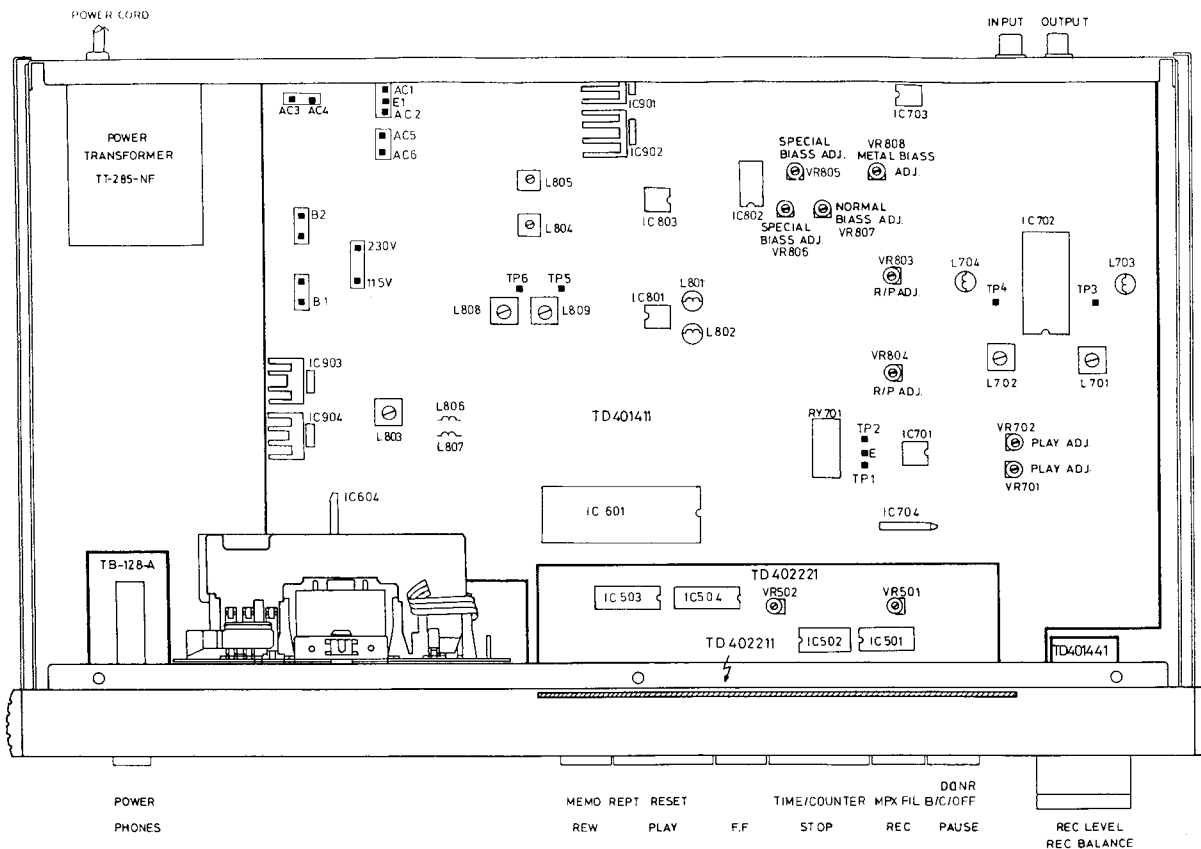
SPECIFICATIONS

RD 960BX COMPACT CASSETTE DECK

Frequency Response	30-18,000 Hz \pm 3 dB (Type 4) 30-17,000 Hz \pm 3 dB (Type 2) 30-16,000 Hz \pm 3 dB (Type 1)
Wow and Flutter	0.035 % wrms, 0.1% DIN
Motor	Electronic governor type
Tape Speed	4.8 cm / sec.
Tracks	4 Track / 2 channel
Signal to Noise Ratio	55 dB NR Off 65 dB Dolby B NR 74 dB Dolby C NR
(Wtd, 0 dB, CrO ₂ tape)	0.9% (Type 4)
Total Harmonic Distortion	
(Rec/Play 400 Hz, 0 dB)	
Input Sensitivity/Impedance	50 mV / 33 kohms
Output Level/Impedance	740 mV / 1.5 kohms
Power Requirements	115 volts AC 50/60 Hz 230 volts AC 50/60 Hz
Power Consumption	30 watts
Weight	6.0 Kgs / 13.2 Lbs
Dimensions	440mm (W) x 121mm (H) x 329 mm (D) 17-3/8" (W) x 4-13/16" (H) x 13" (D)

- All specifications are accurate at the time of printing. Rotel reserves the right to make improvements without notice.
- Dolby Noise Reduction and HX PRO headroom extension manufactured under license from Dolby Laboratories Licensing Corporation.
- HX PRO originated by Bang and Olufsen. "Dolby", the double-D symbol, and "HX PRO" are trademarks of Dolby Laboratories Licensing Corporation.

Chassis Layout



Playback System Adjustment

Instruments: Oscilloscope, AC VTVM, Frequency Counter and Test Tape.
 Conditions : Oscilloscope, AC VTVM, Frequency Counter---LINE OUT
 Dolby NR---OFF

Adjustment Item	Test Tape	Adjust	Adjust for
Azimuth	MTT-114N	REC/PB Head Screw	Obtain largest wave form on Oscilloscope for both channels.
Dolby Level	MTT-150	VR701 VR702	AC VTVM reads 245mV at TP3, TP4.
Playback EQ Check	TCC-284N	Output level difference between 1kHz and 10kHz signal is within +/- 3.0dB.	
Tape Speed Deflection Check / Tape Speed Adjust	MTT-111N	Check that allowable margin of deflecting at middle of or at the end of winding is in the range of +2% -1% (at 3,000 Hz allowable margin of deflection of speed is 3,060-2,970) If Tape Speed deflection surpasses the above range adjust speed of Motor.	

Recording System Adjustment

Instruments: Oscilloscope, Signal Generator, AC VTVM and Blank Tape
 Conditions : Dolby NR---OFF REC---Maximum

Adjustment Item	Coupling	Tape Selector	Adjust	Adjust for
Bias Carrier	Oscilloscope---point TP5, TP6	METAL	L809 (L-CH) L808 (R-CH)	Obtain Min. deflection on the Oscilloscope
19 kHz Filter	S.G.(400Hz 0dB) LINE IN /LINE OUT---700mV Changed S.G. to 19kHz Dolby NR-----OFF REC level----Max.	NORMAL	L701 (L-CH) L702 (R-CH)	AC VTVM reads 30dB (Minimum)
Bias Voltage	Oscilloscope---point TP1, TP2	METAL	VR807	AC VTVM reads 9.5mV
		SPECIAL	VR805(L-CH) VR806(R-CH)	AC VTVM reads 6.5mV
		NORMAL	VR808	AC VTVM reads 4.0mV

REC / PB System Adjustment

Instruments: Signal Generator, H.D.Analyzer and Blank Tape.

Conditions : Dolby NR---OFF REC Level---MAX.

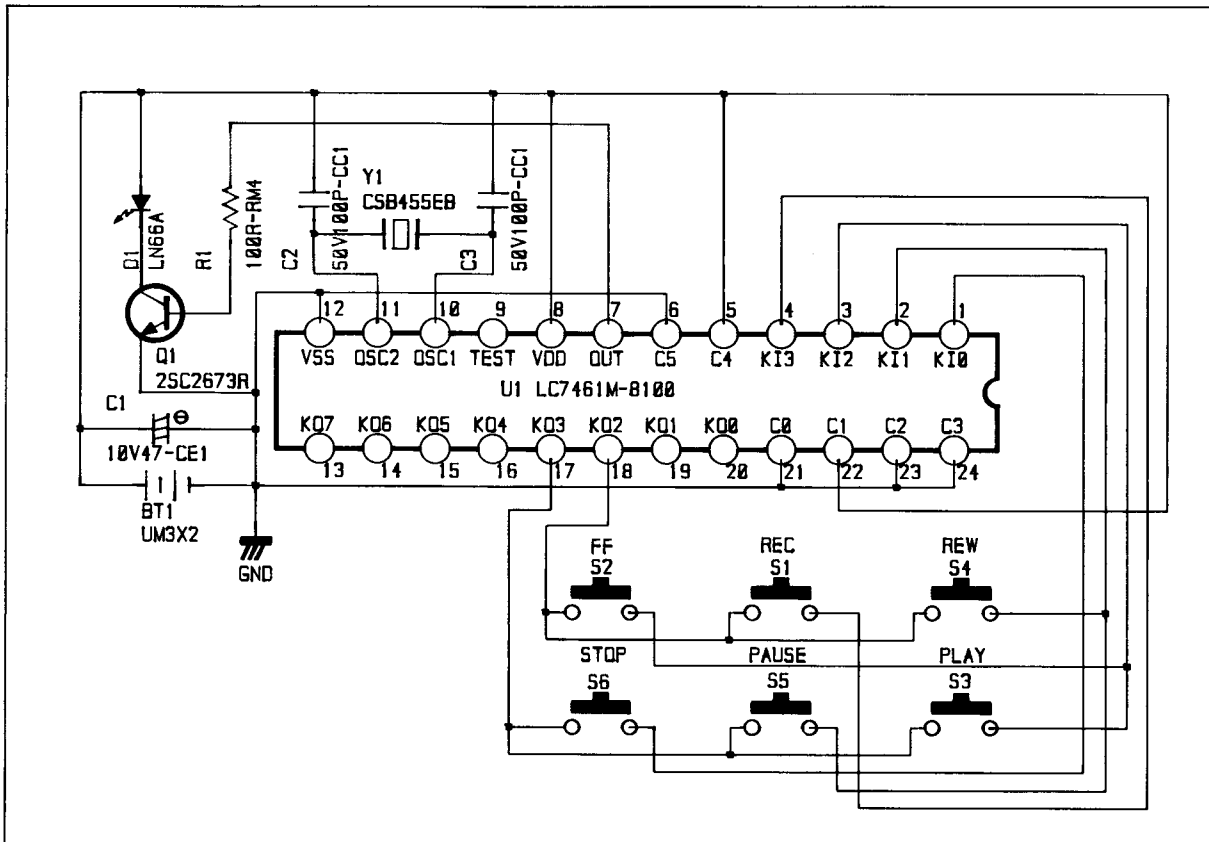
PLAY, REC, PAUSE---ON

Blank Tape : METAL---AC712, SPECIAL---AC513, NORMAL---AC224

Adjustment	Conditions	Adjust	Adjust for
REC / PB Output Level	S.G. (400Hz 0dB) LINE IN / LINE OUT---700mV Push PLAY Button and playback it again	VR803(L-CH) VR804(R-CH)	Recording and Playback level difference must be within +/- 1dB
Distortion Check	S.G. (400Hz 0dB) LINE IN / LINE OUT---700mV H.D.Analyzer--LINE OUT Push PLAY Button and playback it again	Check that distortion is within following range. a.METAL Tape----- under 3.0% b.SPECIAL Tape----- under 3.0% c.NORMAL Tape----- under 2.0%	
	If the distortion factor exceeds the above, recheck Bias Voltage Adjustment.		
Frequency Response Check	METAL Tape insert it	VR708	30Hz--17kHz +/- 3dB
	SPECIAL Tape insert it	VR706	30Hz--16kHz +/- 3dB
	NORMAL Tape insert it	VR707	30Hz--16kHz +/- 3dB

REMOTE CONTROL HANDSET

SCHEMATIC DIAGRAM MODEL NO. RR-926



Parts List

NOTE: THE COMPONENTS IDENTIFIED BY Δ MARK ARE FOR SAFFTY. REPLACE ONLY WITH ORIGINAL PARTS. DO NOT SUBSTITUTE.

SYMBOL	PARTS NO.	DESCRIPTION
	TD401411	PCB ASSEMBLY
R601, 602	RM51002810	R, METAL 10K 1/4W F
R605-607	RM53321814	R, METAL 3.32K 1/4W F
R608, 609	RM52212811	R, METAL 22.1 1/4W F
R610, 611	RM51002810	R, METAL 10K 1/4W F
R612	RM54751816	R, METAL 4.75K 1/4W F
R613	RM52212811	R, METAL 22.1K 1/4W F
R614-616	RM51001816	R, METAL 1K 1/4W F
R617, 618	RM54752810	R, METAL 47.5K 1/4W F
R619, 620	RM51002810	R, METAL 10K 1/4W F
R621, 622	RM51000812	R, METAL 100 1/4W F
R623, 624	RM55621813	R, METAL 5.62K 1/4W F
R625, 626	RM51002810	R, METAL 10K 1/4W F
R627	RM51003813	R, METAL 100K 1/4W F
R628	RM51004817	R, METAL 1M 1/4W F
R629-635	RM51002810	R, METAL 10K 1/4W F
R637, 638	RM51502817	R, METAL 15K 1/4W F
R701, 702	RM51009815	R, METAL 10 1/4W F
R703, 704	RM51003813	R, METAL 100K 1/4W F
R705, 706	RM52211818	R, METAL 2.21K 1/4W F
R707, 708	RM51003813	R, METAL 100K 1/4W F
R709, 710	RM53321814	R, METAL 3.32K 1/4W F
R711, 712	RM54759815	R, METAL 47.5 1/4W F
R713, 714	RM52741819	R, METAL 2.74K 1/4W F
R715, 716	RM52213815	R, METAL 221K 1/4W F
R717-720	RM51001816	R, METAL 1K 1/4W F
R721, 722	RM51002810	R, METAL 10K 1/4W F
R723, 724	RM54752810	R, METAL 47.5K 1/4W F
R725, 726	RM52211818	R, METAL 2.21K 1/4W F
R727, 728	RM51002810	R, METAL 10K 1/4W F
R729, 730	RM55621813	R, METAL 5.62K 1/4W F
R731, 732	RM51002810	R, METAL 10K 1/4W F
R733, 734	RM54320817	R, METAL 432 1/4W F
R735, 736	RM56811816	R, METAL 6.81K 1/4W F
R737, 738	RM55111811	R, METAL 5.11K 1/4W F
R739, 740	RM56810812	R, METAL 681 1/4W F
R741, 742	RM52431818	R, METAL 2.43K 1/4W F
R743, 744	RM51502817	R, METAL 15K 1/4W F
R745	RM51003813	R, METAL 100K 1/4W F
R746	RM51002810	R, METAL 10K 1/4W F
R747	RM55621813	R, METAL 5.62K 1/4W F
R748, 749	RM54752810	R, METAL 47.5K 1/4W F
R750, 751	RM52211818	R, METAL 2.21K 1/4W F
R752	RM53321814	R, METAL 3.32K 1/4W F
R753	RM53321814	R, METAL 3.32K 1/4W F
R754, 755	RM54753813	R, METAL 475K 1/4W F
R756, 757	RM51003813	R, METAL 100K 1/4W F
R758, 759	RM54752810	R, METAL 47.5K 1/4W F
R760, 761	RM51500810	R, METAL 150 1/4W F
R762, 763	RM52212811	R, METAL 22.1K 1/4W F
R764	RM51000812	R, METAL 100 1/4W F
R765	RM51001816	R, METAL 1K 1/4W F
R766	RM51002810	R, METAL 10K 1/4W F
R767	RM55622817	R, METAL 56.2K 1/4W F
R768	RM58251814	R, METAL 8.25K 1/4W F
R769	RM51002810	R, METAL 10K 1/4W F
R770	RM51003813	R, METAL 100K 1/4W F
R771	RM58250810	R, METAL 825 1/4W F
R772	RM51002810	R, METAL 10K 1/4W F
R773	RM58252818	R, METAL 82.5K 1/4W F
R774	RM51002810	R, METAL 10K 1/4W F
R775	RM52210814	R, METAL 221 1/4W F
R776	RM51003813	R, METAL 100K 1/4W F
R777	RM56811816	R, METAL 6.81K 1/4W F
R778	RM51001816	R, METAL 1K 1/4W F
R779	RM51003813	R, METAL 100K 1/4W F
R780	RM51503810	R, METAL 150K 1/4W F
R781	RM51001816	R, METAL 1K 1/4W F
R782	RM51002810	R, METAL 10K 1/4W F

SYMBOL	PARTS NO.	DESCRIPTION
R783	RM58251814	R, METAL 8.25K 1/4W F
R784	RM51213819	R, METAL 121K 1/4W F
R785	RM51213819	R, METAL 121K 1/4W F
R786	RM58251814	R, METAL 8.25K 1/4W F
R787	RM51002810	R, METAL 10K 1/4W F
R788	RM51002810	R, METAL 10K 1/4W F
R789	RM51000812	R, METAL 100 1/4W F
R790	RM54751816	R, METAL 4.75K 1/4W F
R801-806	RM51001816	R, METAL 1K 1/4W F
R807, 808	RM54752810	R, METAL 47.5K 1/4W F
R809, 810	RM57501811	R, METAL 7.5K 1/4W F
R811, 812	RM54752810	R, METAL 47.5K 1/4W F
R813, 814	RM52211818	R, METAL 2.21K 1/4W F
R815, 816	RM51003813	R, METAL 100K 1/4W F
R817, 818	RM53921817	R, METAL 3.92K 1/4W F
R819, 820	RM54752810	R, METAL 47.5K 1/4W F
R821, 822	RM53312814	R, METAL 3.32K 1/4W F
R823, 824	RM54751816	R, METAL 4.75K 1/4W F
R825-828	RM52213815	R, METAL 221K 1/4W F
R829, 830	RM52211818	R, METAL 2.21K 1/4W F
R831, 832	RM51330812	R, METAL 133 1/4W F
R833-836	RM52211818	R, METAL 2.21K 1/4W F
R837, 838	RM58251814	R, METAL 8.25K 1/4W F
R839	RM53329813	R, METAL 33.2K 1/4W F
R840, 841	RM51502817	R, METAL 15K 1/4W F
R842	RM51829818	R, METAL 18.2 1/4W F
R843, 844	RM53329813	R, METAL 33.2 1/4W F
R845	RM54752810	R, METAL 47.5 1/4W F
R846	RM51001816	R, METAL 1K 1/4W F
R847	RM51003813	R, METAL 10K 1/4W F
R848	RM58251814	R, METAL 8.25K 1/4W F
R849, 850	RM51001816	R, METAL 1K 1/4W F
R851, 852	RM55629812	R, METAL 56.2 1/4W F
R853, 854	RM54751816	R, METAL 4.75K 1/4W F
R855, 856	RM53923814	R, METAL 392K 1/4W F
R857, 858	RM51503810	R, METAL 150K 1/4W F
R859, 860	RM52212811	R, METAL 22.1K 1/4W F
R861, 862	RM51001816	R, METAL 1K 1/4W F
R863, 864	RM56811816	R, METAL 6.81K 1/4W F
R865, 866	RM51003813	R, METAL 100K 1/4W F
R867, 868	RM54751816	R, METAL 4.75K 1/4W F
R869	RM56811816	R, METAL 6.81K 1/4W F
R870	RM51003813	R, METAL 100K 1/4W F
R871	RM53322818	R, METAL 33.2K 1/4W F
R872	RM51502817	R, METAL 15K 1/4W F
R873	RM51003813	R, METAL 100K 1/4W F
R874, 875	RM52211818	R, METAL 2.21K 1/4W F
R876	RM51002810	R, METAL 10K 1/4W F
R877, 878	RM53329813	R, METAL 33.2 1/4W F
R879	RM53320810	R, METAL 332 1/4W F
R880	RM51502817	R, METAL 15K 1/4W F
R901	RM93300123	R, METAL 330 1W J
R902	RM53321814	R, METAL 3.32K 1/4W F
R903	RM52740815	R, METAL 274 1/4W F
R904	RM51001816	R, METAL 1K 1/4W F
R905	RM54751816	R, METAL 4.75K 1/4W F
C601	CC01008458	CAP, CERAMIC 0.1uF 50V
C602	CN01007507	CAP, NON-POLARIZED NP 1uF 50V
C603	CE44708504	CAP, ELEC. 0.47uF 50V
C604, 605	CC42212433	CAP, CERAMIC 22P 50V
C606	CE03304162	CAP, ELEC. 3300uF 16V Δ
C701, 702	CS43611416	CAP, STYROL 360P 50V
C703, 704	CE71005259	CAP, ELEC. 100uF 25V
C705, 706	CE41005166	CAP, ELEC. 100uF 16V
C707, 708	CM13909428	CAP, MYLAR 393J 50V
C709, 710	CL32207454	CAP, LOW NOISE U50V2R2LN
C711, 712	CM12709420	CAP, ELEC. 273J 50V
C713, 714	CL34707259	CAP, LOW NOISE U25V4R7LN
C715, 716	CM14710425	CAP, MYLAR 472J 50V
C717, 718	CE44708504	CAP, ELEC. 0.47uF 50V

Parts List

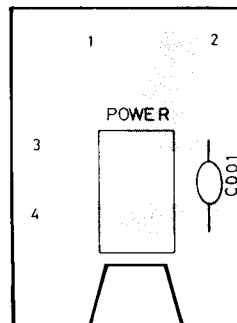
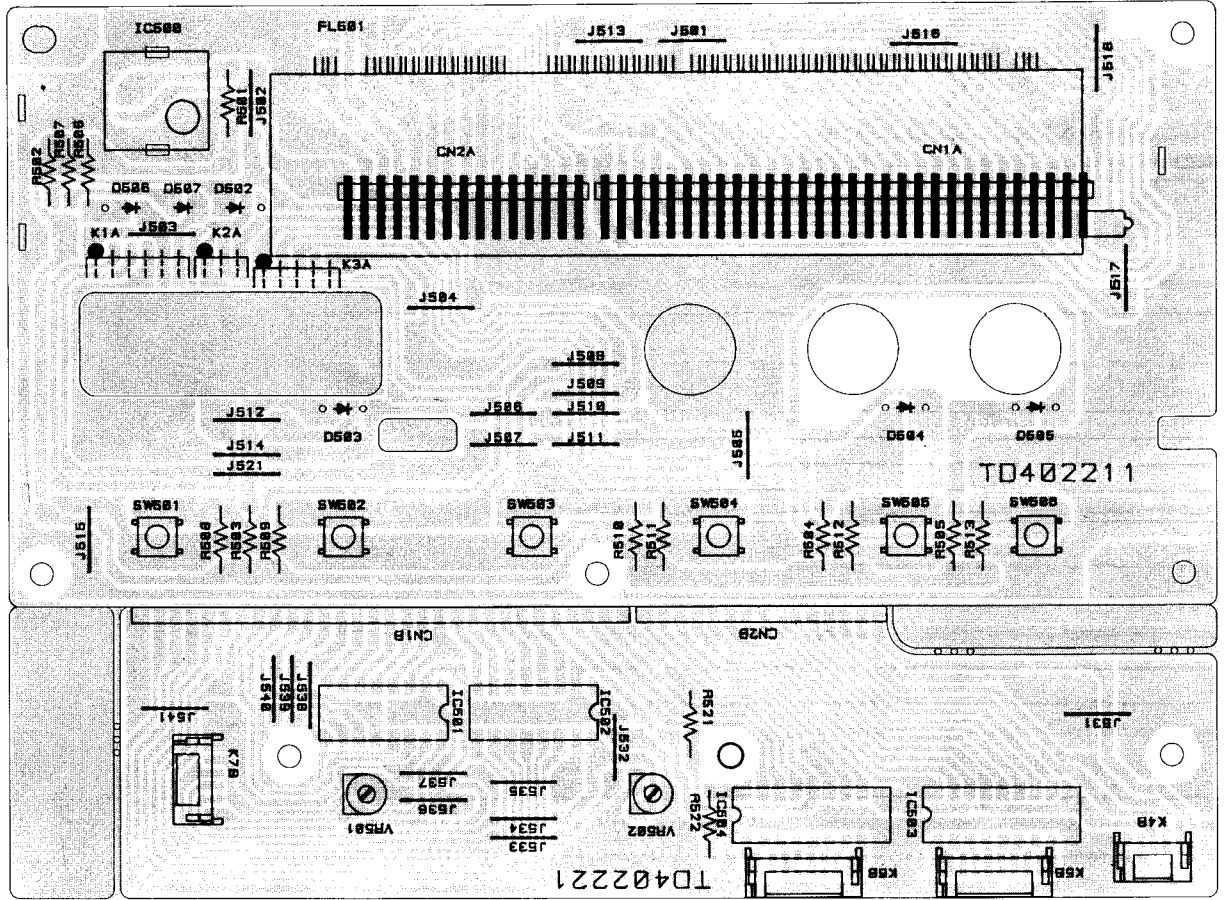
SYMBOL	PARTS NO.	DESCRIPTION
C719, 720	CE01508256	CAP, ELEC. 0.15uF 25V
C721, 722	CE42208504	CAP, ELEC. 0.22uF 50V
C723, 724	CM16809421	CAP, MYLAR 683J 50V
C725, 726	CM14709423	CAP, MYLAR 473J 50V
C727, 728	CM16810423	CAP, MYLAR 682J 50V
C729, 730	CM11009426	CAP, MYLAR 103J 50V
C731, 732	CM11509423	CAP, MYLAR 153J 50V
C733, 734	CM13010420	CAP, MYLAR 302J 50V
C735, 736	CC46811438	CAP, CERAMIC 680P 50V
C737, 738	CM13310427	CAP, MYLAR 332J 50V
C739	CE44707500	CAP, ELEC. 4.7uF 50V
C740, 741	CE02205164	CAP, ELEC. 220uF 16V
C742, 743	CL31006258	CAP, LOW NOISE U25V10LN
C744, 745	CE41006500	CAP, ELEC. 10uF 50V
C746, 747	CE41005166	CAP, ELEC. 100uF 16V
C748, 749	CM11009426	CAP, MYLAR 103J 50V
C750, 751	CE41005166	CAP, ELEC. 100uF 16V
C752	CE41005166	CAP, ELEC. 100uF 16V
C753	CE44707500	CAP, ELEC. 4.7uF 50V
C754	CM12209423	CAP, MYLAR 223J 50V
C755	CE41006500	CAP, ELEC. 10uF 50V
C756	CE41007503	CAP, ELEC. 1uF 50V
C757	CE41006500	CAP, ELEC. 10uF 50V
C758	CE41006500	CAP, ELEC. 10uF 50V
C759, 760	CE44706167	CAP, ELEC. 47uF 16V
C762	CE04705164	CAP, ELEC. 470uF 16V
C763, 764	CS42211420	CAP, STYROL 220P 50V
C761	CE44707500	CAP, ELEC. 4.7uF 50V
C801, 802	CL34707259	CAP, LOW NOISE U25V4R7LN
C803, 804	CC01008485	CAP, CERAMIC 0.1uF 50V
C805, 806	CM18210423	CAP, MYLAR 882J 50V
C807, 808	CE44708504	CAP, ELEC. 0.47uF 50V
C809, 810	CL34707259	CAP, LOW NOISE U25V4R7LN
C811, 812	CE41006500	CAP, ELEC. 10uF 50V
C813, 814	CM12009422	CAP, MYLAR 203J 50V
C817	CP01210229	CAP, POLYPROPYLENE 122J 250V
C818	CN01007507	CAP, NON-POLARIZEDNP 1uF 50V
C819	CE41007503	CAP, ELEC. 1uF 50V
C820, 821	CE41005166	CAP, ELEC. 100uF 16V
C822	CM11509423	CAP, MYLAR 153J 50V
C823	GM11009426	CAP, MYLAR 103J 50V
C824	CM01810422	CAP, MYLAR 182J 50V
C825, 826	CS41511327	CAP, STYROL 150P 250V
C827, 828	CM11008422	CAP, MYLAR 104J 50V
C829, 830	CS44711327	CAP, STYROL 470P 250V
C831, 832	CS42711324	CAP, STYROL 270P 250V
C833, 834	CC71011422	CAP, CERAMIC RT-HE50TKSL101J
C835, 836	CE41005166	CAP, ELEC. 100uF 16V
C837, 838	CM11009426	CAP, MYLAR 103J 50V
C839, 840	CM12208420	CAP, MYLAR 224J 50V
C841, 842	CC74711420	CAP, CERAMIC RT-HE90TKSL471J
C845	CM01810422	CAP, MYLAR 182J 50V
C901-908	CC01009256	CAP, CERAMIC 0.01uF 250V Δ
C909, 910	CE04705358	CAP, ELEC. 470uF 35V
C911	CE02204251	CAP, ELEC. 2200uF 25V Δ
C912	CE41005567	CAP, ELEC. 100uF 35V
C913, 914	CE02205255	CAP, ELEC. 220uF 25V
C915	CE04705164	CAP, ELEC. 470uF 16V
C916	CE02205164	CAP, ELEC. 220uF 16V
C917	CE41005567	CAP, ELEC. 100uF 35V
C918	CE44706568	CAP, ELEC. 47uF 35V
C923	CE41005257	CAP, ELEC. 100uF 25V
C926	CE41006500	CAP, ELEC. 10uF 50V
VR701, 702	RV20000478	R, SEMI-FIXED RH0615C47300
VR803, 804	RV20000478	R, SEMI-FIXED RH0615C47300
VR805-807	RV20000442	R, SEMI-FIXED RH0615C22300
VR808	RV20000430	R, SEMI-FIXED RH0615C10300
RY701	LY00000253	RELAY RY-12W-OH-KJ Δ
JK701	JPO4000102	4P PIN JACK 4TR-2167#1
L701, 702	LC23700000	COIL, MPX FILTER TRL-370

SYMBOL	PARTS NO.	DESCRIPTION
L703, 704	LM00000449	MICRO INDUCTOR 19MH TRL-350
L801, 802	LM00000371	MICRO INDUCTOR TRL-324
L803	LC23670006	COIL, OSC TRL-367
L804, 805	LC31260004	COIL, HXPRO RLV126A00T
L806, 807	LM00000012	MICRO INDUCTOR TRL-237
L808, 809	LC31040107	COIL TRAP RLV104A00T
X601	DD60000374	CRYSTAL OSC 4.194304MHz
D601, 602	DD20000107	DIODE RD-3.6E
D603	DD20000508	DIODE RD7.5JS-T1
D604	DD20000260	ZENER DIODE RD-4.3E
D605-609	DD80000010	DIODE IN4003-TB
D610	DD80000021	DIODE IN4148-86
D613	DD20000491	DIODE RD-6.8JS-T1
D701	DD80000021	DIODE IN4148-86
D702, 703	DD20000466	DIODE RD5.1JS-T1
D704-709	DD80000021	DIODE IN4148-86
D801-807	DD80000021	DIODE IN4148-86
D901, 902	DD80000010	DIODE IN4003-TB
D903-910	DD80000010	DIODE IN4003-TB
D911	DD20000570	DIODE RD15JS-T1
D912	DD20000466	DIODE RD5.1JS-T1
D913	DD20000624	DIODE RD24JS-T1
Q601-605	TR31000034	TRANSISTOR 2SC536G-NP-AA
Q606	TR11000015	TRANSISTOR 2SA608KF
Q607	TR11000015	TRANSISTOR 2SA608KF
Q608	TR31000034	TRANSISTOR 2SC536G-NP-AA
Q701, 702	TR31000034	TRANSISTOR 2SC536G-NP-AA
Q703, 704	TR31000149	TRANSISTOR 2SC2878-A/B
Q705	TR31000034	TRANSISTOR 2SC536G-NP-AA
Q706, 707	TR31000149	TRANSISTOR 2SC2878-A/B
Q708, 709	TR31000034	TRANSISTOR 2SC536G-NP-AA
Q710	TR11000015	TRANSISTOR 2SA608KF
Q711, 712	TR11000015	TRANSISTOR 2SA608KF
Q801-811	TR31000034	TRANSISTOR 2SC536G-NP-AA
Q812	TR41000011	TRANSISTOR 2SD863E/F-A/-E
Q813	TR11000015	TRANSISTOR 2SA608KF/KG-NP-AA
Q814-816	TR31000034	TRANSISTOR ASC536G-NP-AA
Q817	TR11000015	TRANSISTOR 2SA608KF/KG-NP-AA
Q901	TR31000071	TRANSISTOR 2SC2274E/F-AA
Q902	TR40000069	TRANSISTOR 2SD600KE/KF
IC601	IC00003331	IC RD75104CW-01-A17
IC604	IC00002491	IC TA7291P
IC701	IC00001693	IC NE5532AN
IC702	IC00001980	IC CX20187
IC703	IC00001474	IC NJM4556D
IC704	IC00001085	IC TA7341P
IC801	IC00001693	IC NE5532AN
IC802	IC00002545	IC BA10324
IC803	IC00002235	IC TL-072CP
IC901	IC00001991	IC NJM79M12
IC902	IC00000974	IC NJM78M12
IC903	IC00001930	IC NJM7812
IC904	IC00000615	IC NJM78M05
SW601-604	SH11000392	1 KEY PUSH SW 4TR-2820
SW605	SH11000380	1 KEY PUSH SW 4TR-2819
SW606	SH11000392	1 KEY PUSH SW 4TR-2820
	TD401421	PCB ASSEMBLY
JK702	JH00000147	HEAD PHONE JACK C-3921#3
	TD401431	PCB ASSEMBLY
R885	RM51502817	R, METAL 15K 1/4W F
R886	RM52212811	R, METAL 22.1K 1/4W F
Q818	TR31000034	TRANSISTOR 2SC536G-NP-AA
R887	RM51211811	R, METAL 1.21K 1/4W F
VR809	RC10001590	R, CARIABLE 4TR-2822 10KB

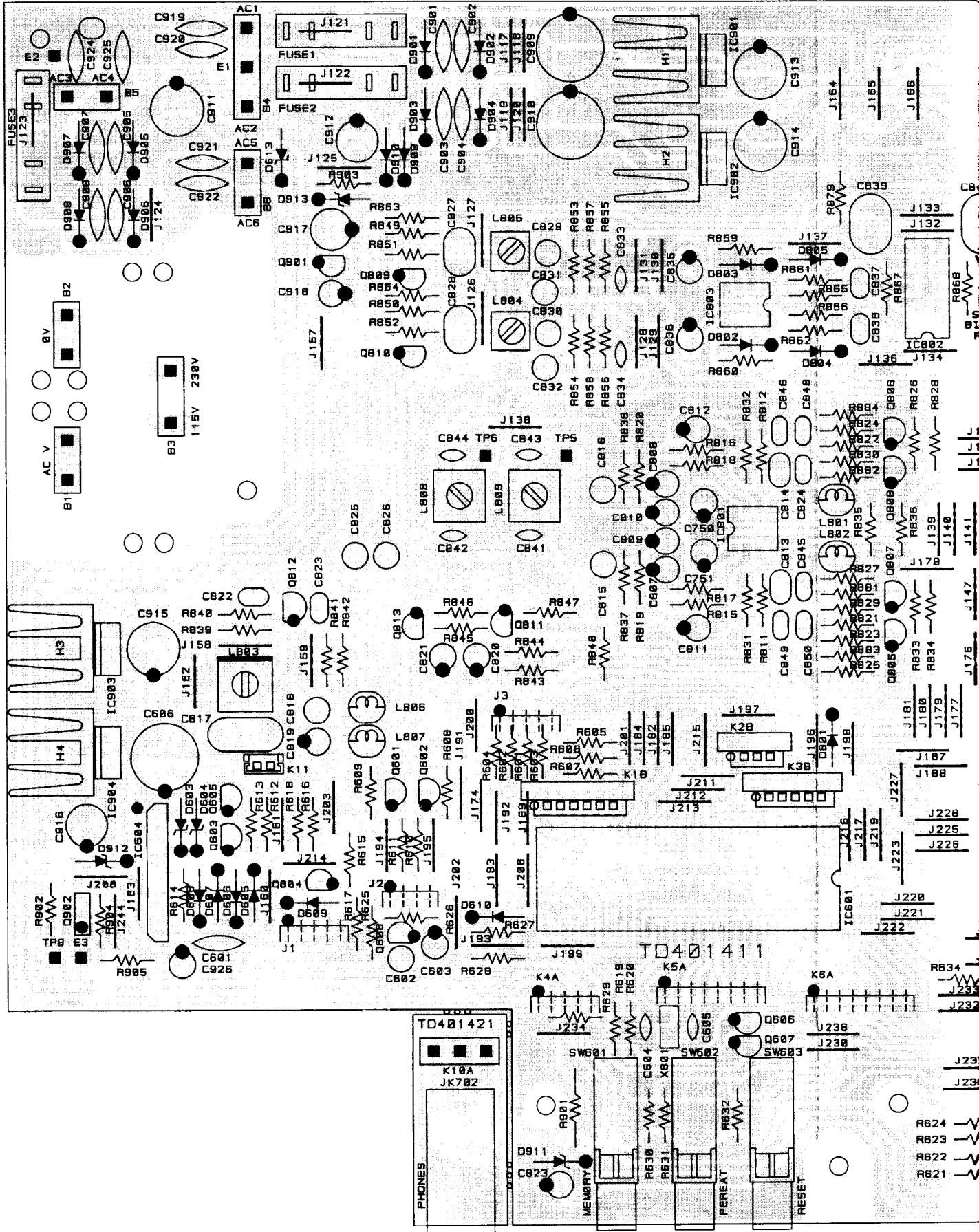
SYMBOL	PARTS NO.	DESCRIPTION
	TD401441	PCB ASSEMBLY
VR801	RV10001607	R, VARIABLE 4TR-2709A 50KAx2
	TD402211	PCB ASSEMBLY
R501	RM51009815	R, METAL 10 1/4W F
R502, 503	RM52740815	R, METAL 274 1/4W F
R504	RM54750812	R, METAL 475 1/4W F
R505-507	RM52740815	R, METAL 274 1/4W F
R508-513	RM51002810	R, METAL 10K 1/4W F
FL501	DD40000988	FL TUBE F1P48AMW9Y Δ
D502	DD40001180	LED SEL1323G
D503	DD40000101	LED SEL1324G
D504	DD40000095	LED SEL1124R
D505	DD40000101	LED SEL1324G
D506, 507	DD40001180	LED SEL1323G
IC500	IC00002030	IC RECEIVER SBX1610-02
SW501-506	SH60000240	KEY BOARD SW 4TR-2343
	TD402221	PCB ASSEMBLY
R521, 522	RM52741819	R, METAL 2.74 1/4W F
IC501, 502	IC00002053	IC BA6146
IC503, 504	IC00002041	IC LB1290
	TB-128-A	
C001	CK00000035	SPARK KILLER DE7150F472M Δ
S001	SH40000120	POWER SW C-3600B-T Δ
	OTHERS	
	AB00000640	BOTTOM BOARD 4TQN-12C#2
	AF40000320	FRONT CHASSIS 2TQK-3#3
	AR40000304	PRINTED REAR CHASSIS TRP-666
	AS01000294	SIDE CHASSIS 3TQL-1
	DC00000773	CASSETTE DECK ASS'Y CMAY5Z357A
	BC00000325	CYLINDER BUSH 4TR-2186#1 6Fx25H
	BC00000684	CYLINDER BUSH 4TR-2187#9 6Fx31.4H
	FT00000229	PLASTIC FOOT 4TSH-19#2 50Fx14H
	SB00000674	P.V.C SHIELD PLATE 3TQK-7
	SC00000027	AC CORD STOPPER SR-4N-4 Δ
	SG00000444	SPONGE 4TR-1556
	SP10006442	EJECT SUPPORT 4TQK-10
	SR00001163	P.V.C SPACER 4TR-2882
	CD00000218	AC CORD SPT-2 AWG#18 4TR-670#4 C,U,A,J Δ
	CD00000048	AC POWER CORD 4TR-1037 H,E,Y,S1 Δ
	CD00000528	AC CORD H03VVH2-F 4TR-3083 K1 Δ
	CD00000322	AC POWER CORD OKA 4TR-2757 D Δ
	CD00000115	AC POWER CORD C-3763-T G1 Δ
	NP00001949	AC 120V 4TR-2828A#1 TNP-382 U,C
	NP00002012	AC 100V 4TR-2828A#6 TNP-391 J
	NP00002140	AC 240V 4TR-2828A#11 TNP-398
	PT28510101	POWER TRANSFORMER TT-285-NF Δ
	AA40000469	FRONT PANEL 2TQK-1#4 TFP-734
	AW00000540	PANEL WINDOW 4TQK-6#1
	AW00000551	ACRYLIC DOOR PLATE 2TQK-17
	BU00001145	POWER RING W/LED 4TQF-13 14x14

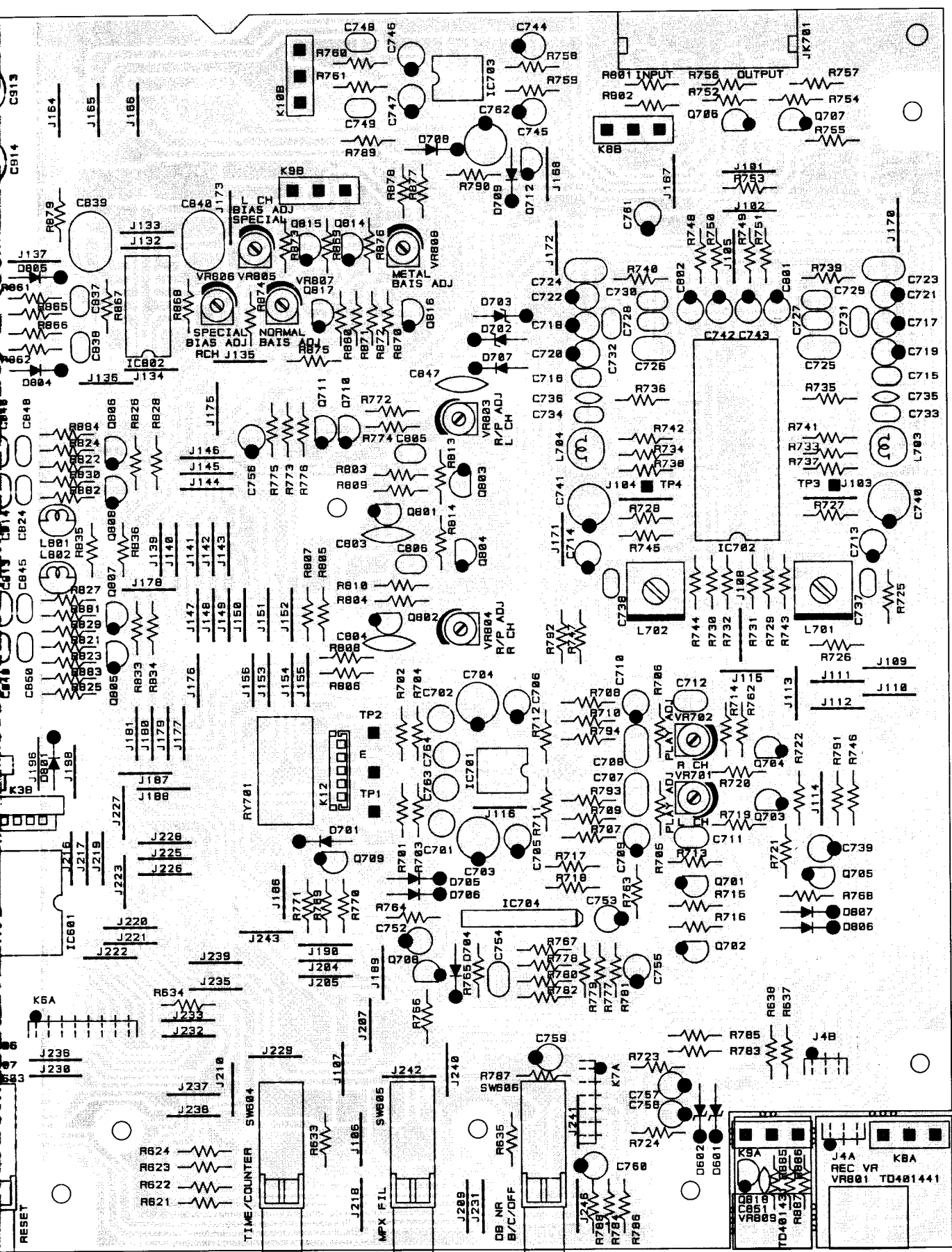
SYMBOL	PARTS NO.	DESCRIPTION
	BU00001157	PUSH BUTTON RING 4TQF-14 5x10
	BU00001169	KNOB RING 4TQF-17 39F
	BU00001200	EJECT BUTTON RING 4TQK-16
	BU00001212	PUSH BUTTON RING PR-09AA00T 5x20
	KB20002681	POWER BUTTON 4TQF-15 14x14
	KB20002693	PUSH BUTTON 4TQF-16 5x10
	KB20002711	TACT BUTTON 6 KEY 3TQK-8
	KB20002759	PUSH BUTTON PR4-13A00T 5x20
	OM10001284	ORNAMENTAL SIDE BOARD 4TR-2797#3
	OM10001326	ALUMIN. DOOR 4TQK-5 TRP-637
	OM10001831	FL ORNAMENTAL PLATE 4TPJ-1
	DD40000095	L.E.D SEL1124R
	OM70000065	PUSH BUTTON CONNECTOR 4TTL-15
	OM70000170	FILTER BOARD 4TSJ-9#1
	SN00000179	BUTTON SPRING 4TR-1988A#2 10F
	AG00000470	REMOTE CONTROL HANDSET RR-926
	AU00001249	TOP COVER POLY 3TUV-6#8
	KB10001722	KNOB 4TQF-18 13F
	KB10001746	KNOB 4TQF-20 33F (WR)
	KB10001758	KNOB 4TQF-21 33F (WF)
	KB20002735	EJECT BUTTON 4TQK-18
	FE00000067	FELT 4TR-1083B#1 22F
	FE00000079	FELT 4TR-1083B#3 46F
	SE00000266	BATTERY NON M.I.T UM-4 1.5V
	SP10006557	EJECT CONNECTOR 4TQK-21
	SR00000882	UPPER COVER SPACER 4TR-2418
	PL00001075	STYROL SIDE MOULDING 3TTW-14#2 TZ-172-1

Printed Circuit Boards

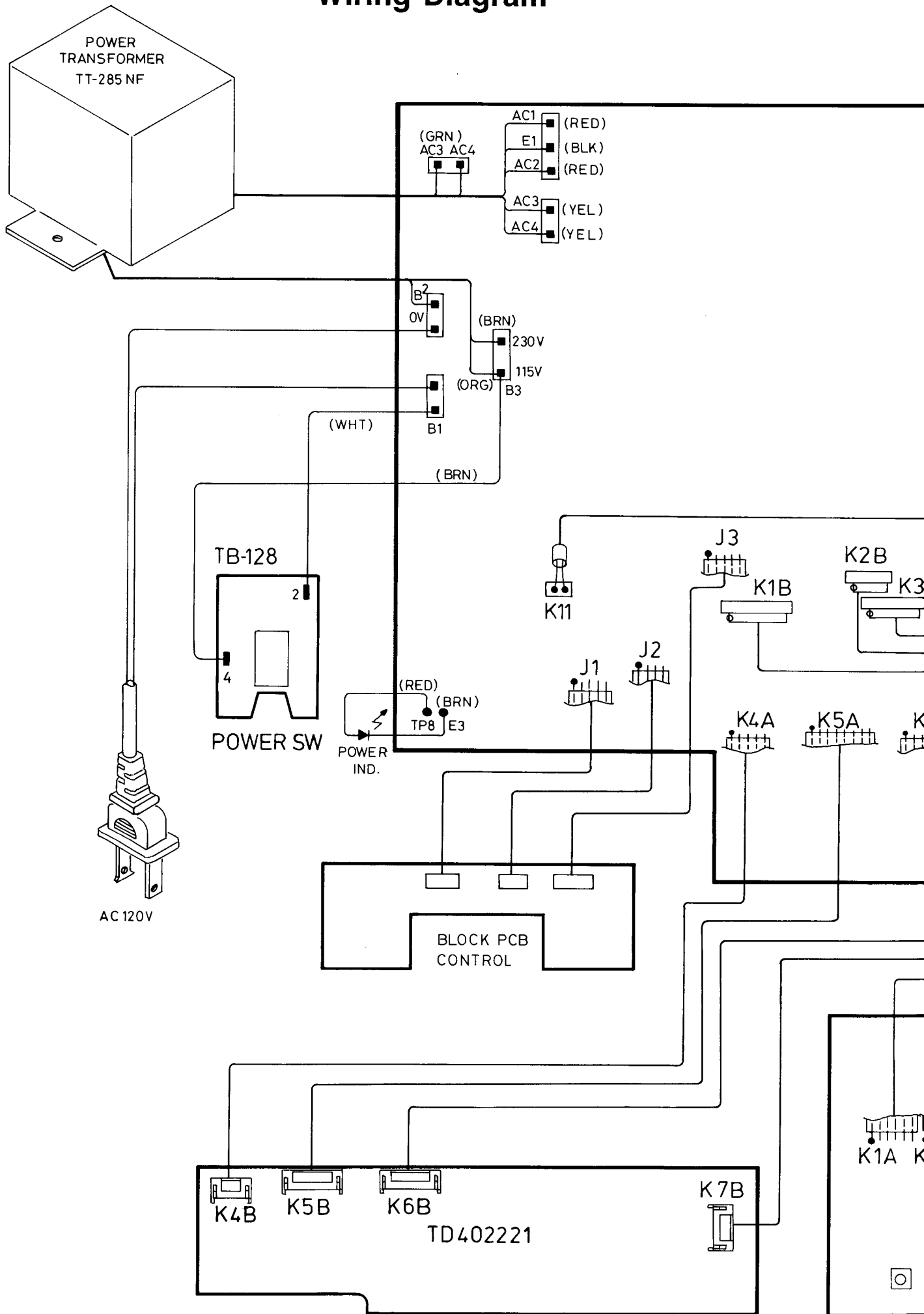


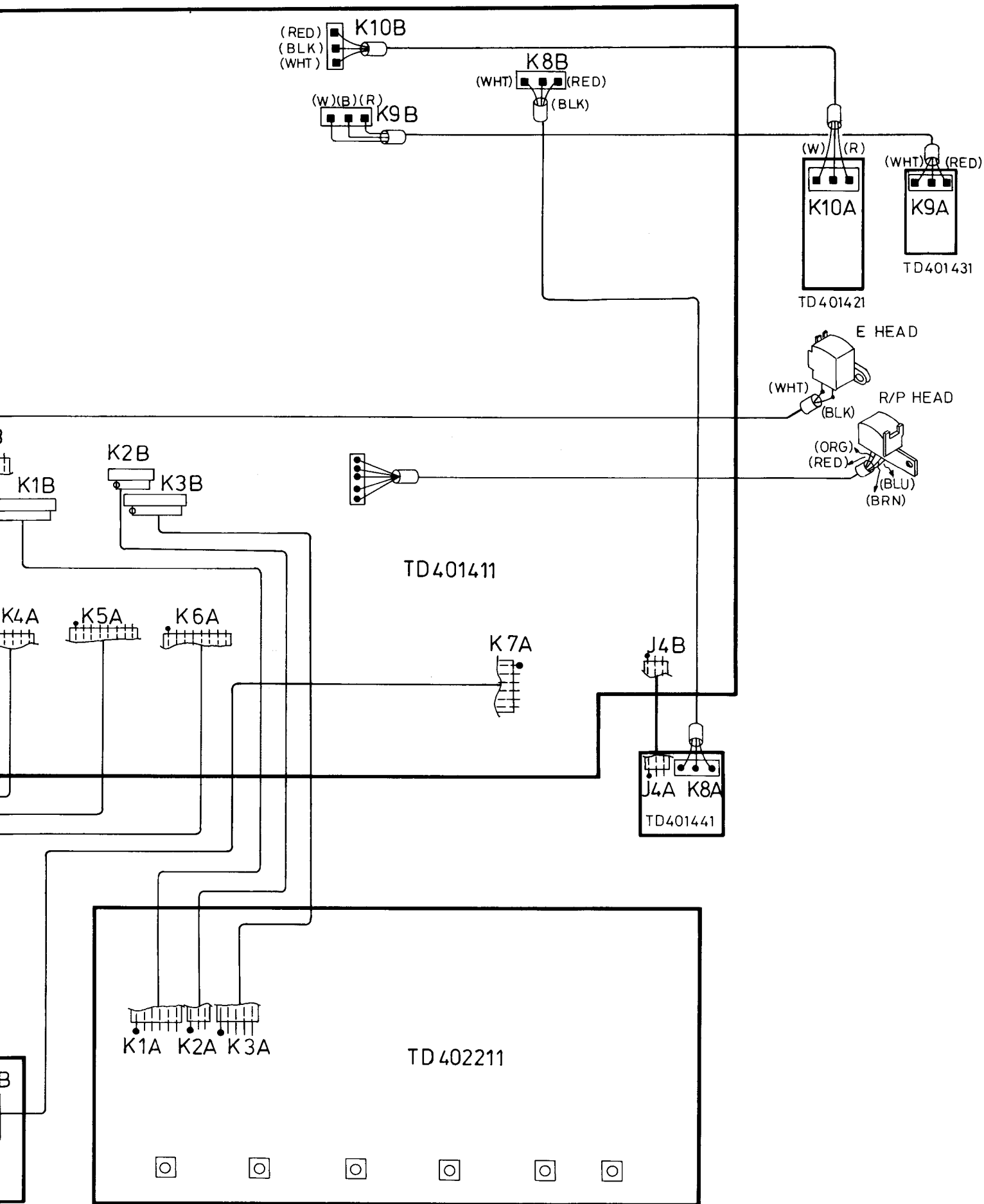
Printed Circuit Boards





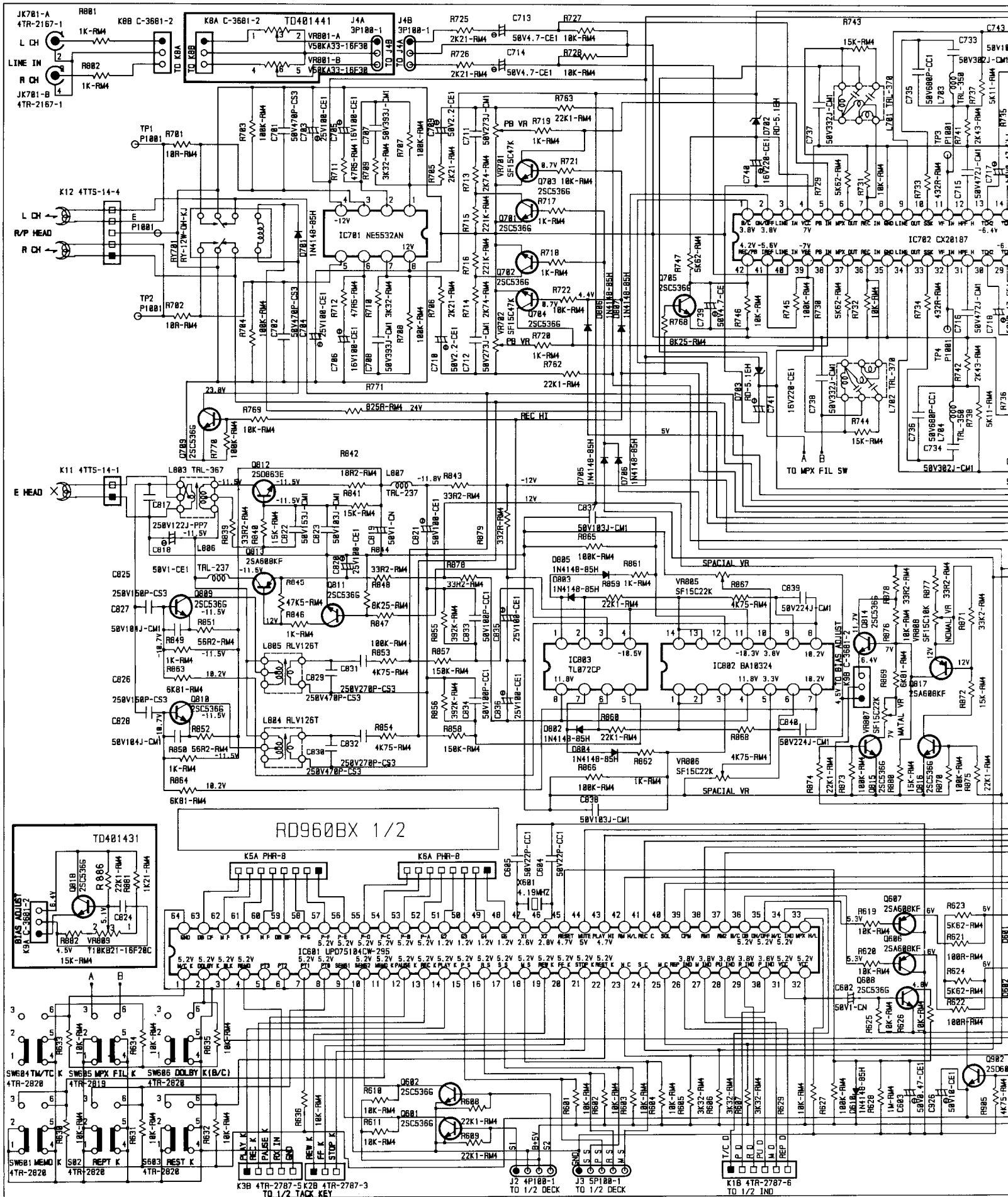
Wiring Diagram

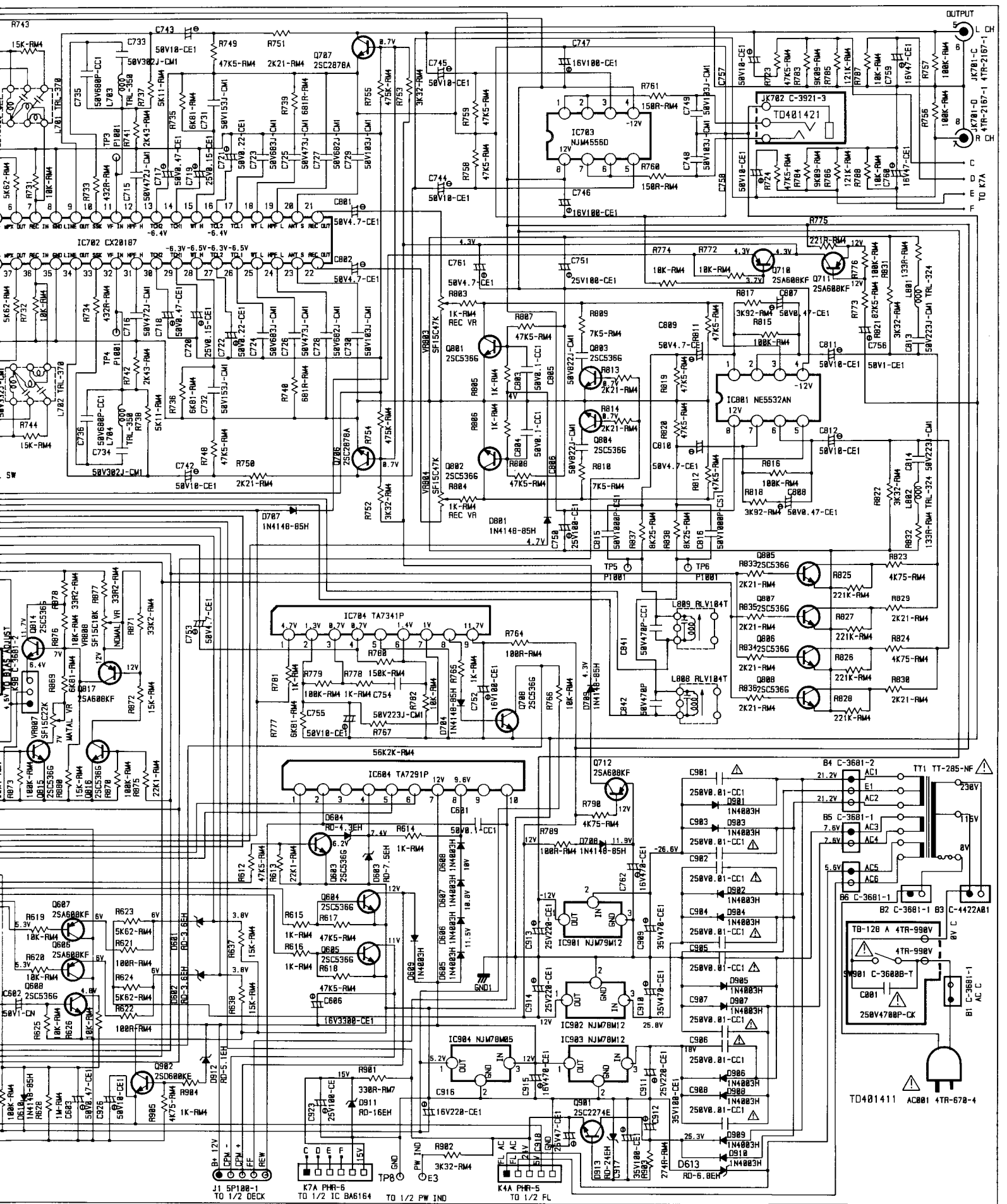




Schematic Diagram

SCHEMATIC DIAGRAM MODEL NO. RD-960BX (1/2)





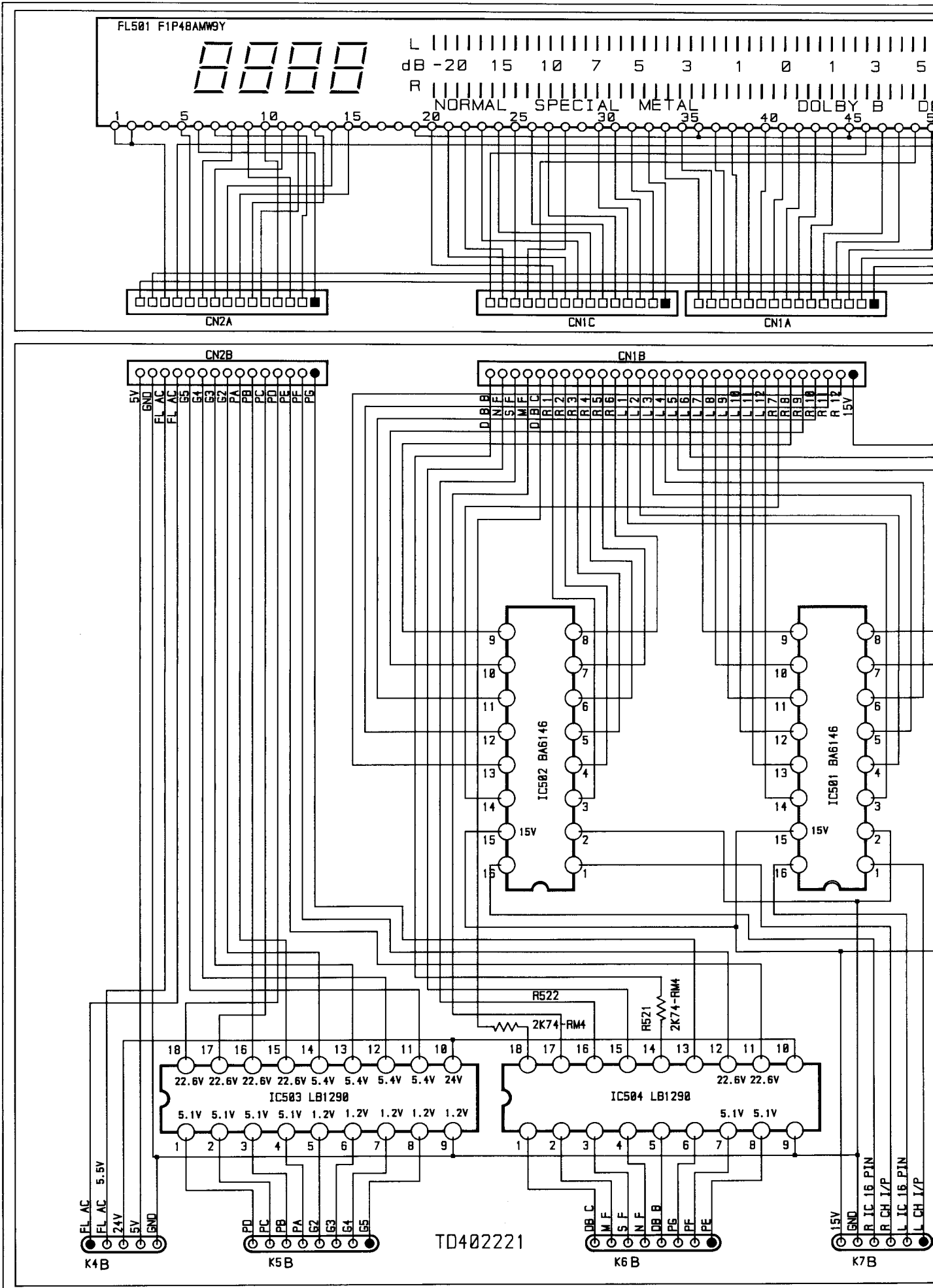
B+ 12V
 CPM +
 CPM -
 REF
 J1 5P100-1
 TO 1/2 DECK

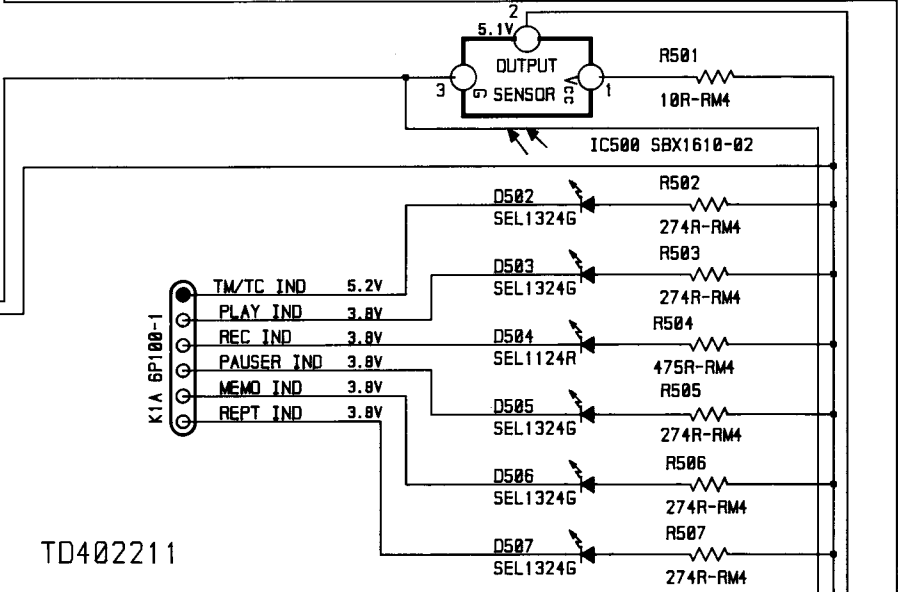
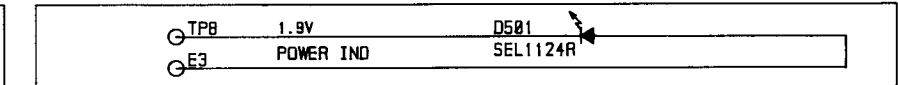
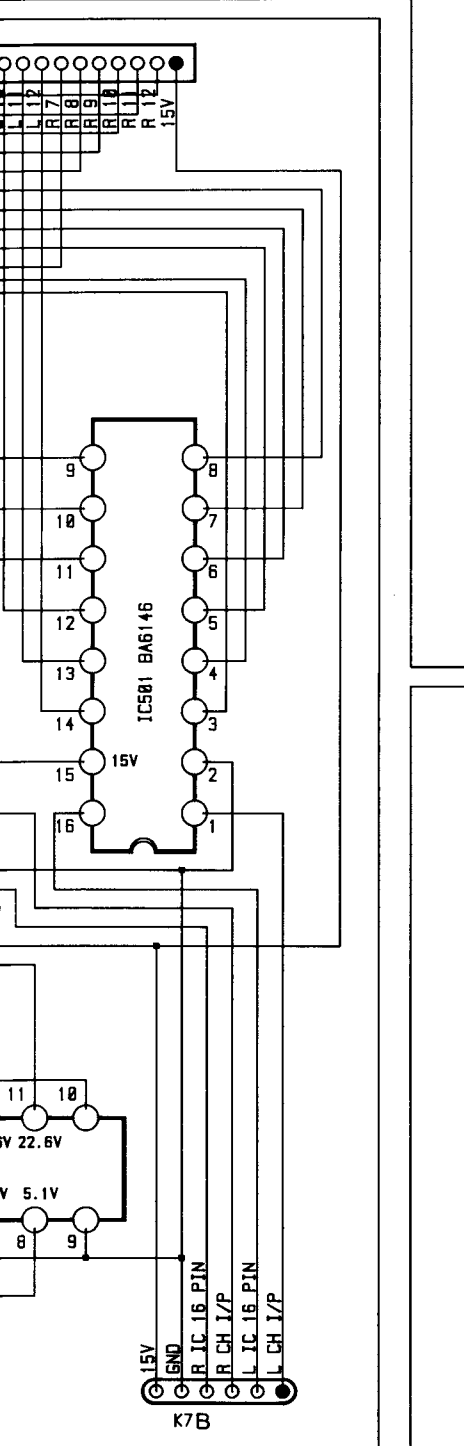
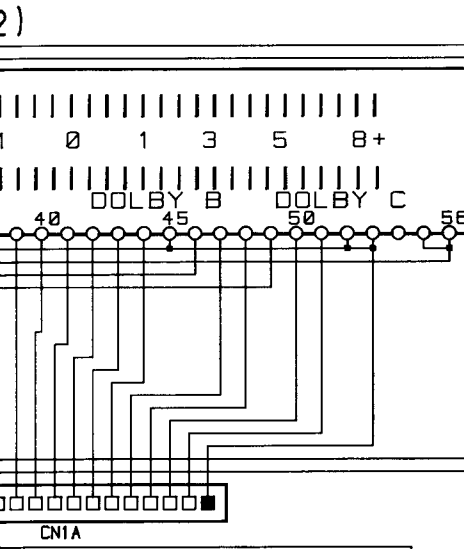
K7A PHR-6
 TO 1/2 IC BA6164
 TO 1/2 PW IND

K4A PHR-5
 TO 1/2 FL

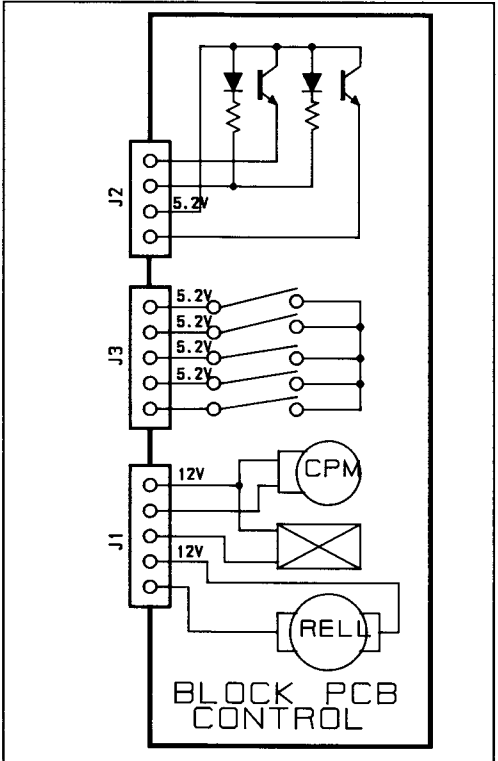
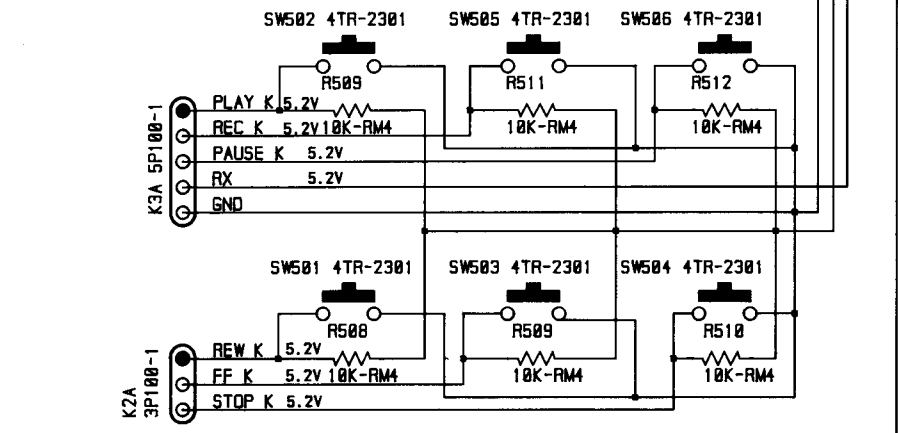
TD401411 AC801 4TR-578-4

SCHEMATIC DIAGRAM MODEL NO. RD-960BX (2/2)

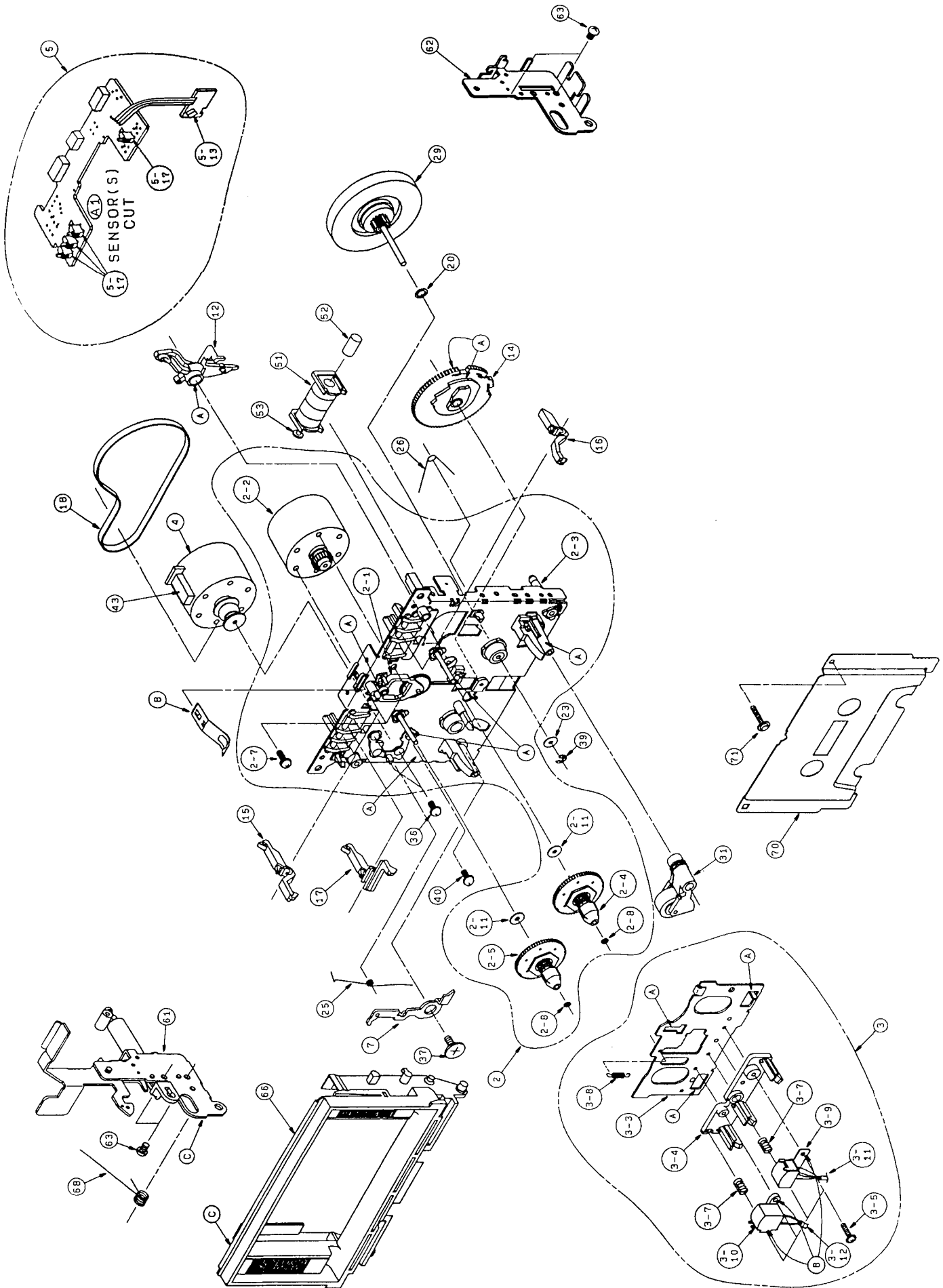




TD402211



Disassembly Diagram



DECK MECHANISM PARTS LIST

(RD-960BX)

ITEM	RT PARTS NO.	SPEC. NO.	DESCRIPTION
2	DM90002184	F511-422	BLOCK CHASSIS
2-1	DM90002160	F517-049	BLOCK IDLER
2-2	DM90002081	F564-280	BLOCK MOTOR REEL
2-3	DM90002238	F612-156	BLOCK BASE CHASSIS
2-4	DM90002100	F623-037	BLOCK BASE REEL
2-5	DM90002111	F623-127	BLOCK BASE REEL
2-7		FG156-11A	SCREW 2.6x6.4 ZN
2-8		FJ111-17	WASHER 1.7x0.25
2-11	DM90002240	UJ12V-11	POLYSLIDER 2.1x0.25
3	DM90002251	F513-632	BLOCK PLATE HEAD
3-3	DM90002263	FC52E-46	BASE HEAD
3-4	DM90002275	FD45T-16	SPACER HEAD
3-7	DM90002287	FK21U-11	SPRING AZIMUTH
3-8	DM90002299	FK26N-14	SPRING BASE HEAD
3-9	DM90002445	FU19V-11	R/P HEAD (SS15R-AA4N1)
3-10	DM90002159	FU192-11	E HEAD (HAJAB3024)
3-11	DM90002305	WH51U-04	WIRE CONNECTOR (R/P)
3-12	DM90002317	WH46W-04	WIRE CONNECTOR (E)
4	DM90002093	F525-269	BLOCK MOTOR MAIN
5	DM90002329	F567-255	BLOCK PCB CONTROL
5-13	DM90002172	AW13F-00	SENSOR (SPI-335-34-FG)
5-17	DM90002147	UE16E-11	PUSH SWITCH
7	DM90002330	FC39S-33	ARM INTERLOCK (OW)
8	DM90002342	FC52H-13	SPRING CASSETTE PUSHING
12	DM90002196	FD45G-13	ARM PLAY
14	DM90002007	FD45B-15	GEAR CAM
15	DM90002019	FD44T-14	LEVER (REC SW)
16	DM90002020	FD44Y-12	LEVER (PACK SW)
17	DM90002032	FD44V-12	LEVER (METAL SW)
18	DM90002044	FF17W-31	BELT MAIN
20		FJ111-30	POLYSLIDER 2.6x0.25
23		FJ111-14	POLYSLIDER 2.6x0.5
25	DM90002354	FK28M-16	SPRING INTERLOCK (L)
26	DM90002366	FK28R-11	SPRING SRIDE
29	DM90002056	FR22D-11	ASSY FLYWHEEL
31	DM90002068	FR20L-22	ASSY PINCH ROLLER (R)
36		FG114-14	SCREW 2.6x5 ZN
37		UG15S-11A	SCREW
39		UG13U-15	E-RING
40		UG12H-16	SCREW 3.0x8 ZN
43	DM90002378	FF17C-12	CUSHION HOLD
51	DM90002380	F765-263	BLOCK SOLENOID
52	DM90002391	FL39H-12A	IRON CORE
53	DM90002408	FL39K-12	PLUNGER
61	DM90002410	FC52R-11	BRACKET DAMRER (L)
62	DM90002421	F573-096	PLATE HOLD BLK
63		KG194-28	SCREW 2.6x4 ZN
66	DM90002070	FD29U-11	DOOR FRAME
70	DM90002433	F684-053	BLOCK DRESSING
71		UG12T-11	SCREW

