



Technical Manual

STEREO PASSIVE CONTROLLER RHC10

Table of Contents

- Specifications 1
- Parts List 2
- Wiring Diagram 3
- PCB Assembly 4
- Schematic Diagram 5,6

Specifications

- Input (1-5) Impedance... 10 kohms
- Main Out Impedance.... Source impedance
- Crosstalk (20-20kHz) 80dB
- Channel Separation
(20-20kHz) 75dB
- Inputs 5 (five) unbalanced
- Outputs..... 2 (two) unbalanced output
(Rec Out & Main Out)
- Dimensions (overall)..... 470 (W) × 76 (H) × 332 (D) mm
18-1/2" × 3" × 13-1/16"
- Weight 5.0kg/12.1 lbs

- Specifications and design subject to possible modification without notice.

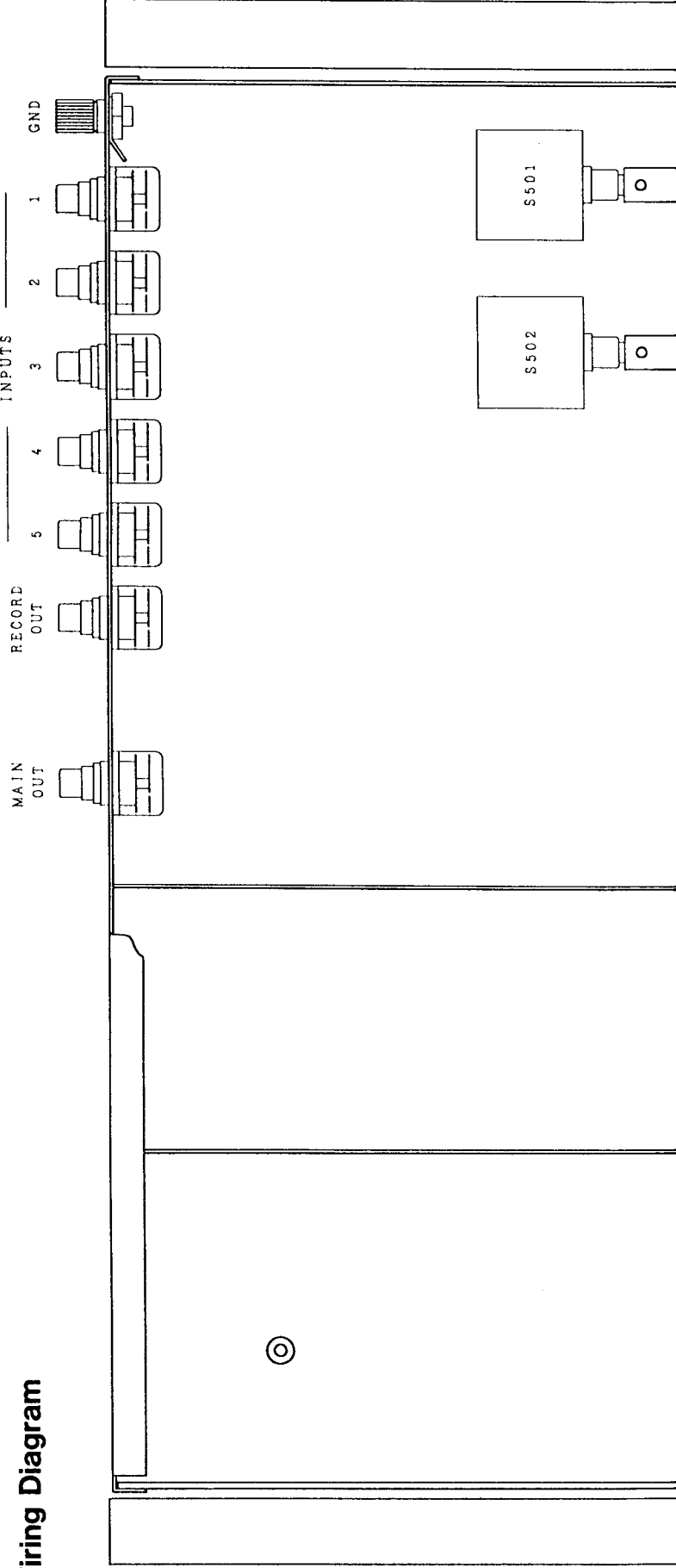
Serial No.
Beginning

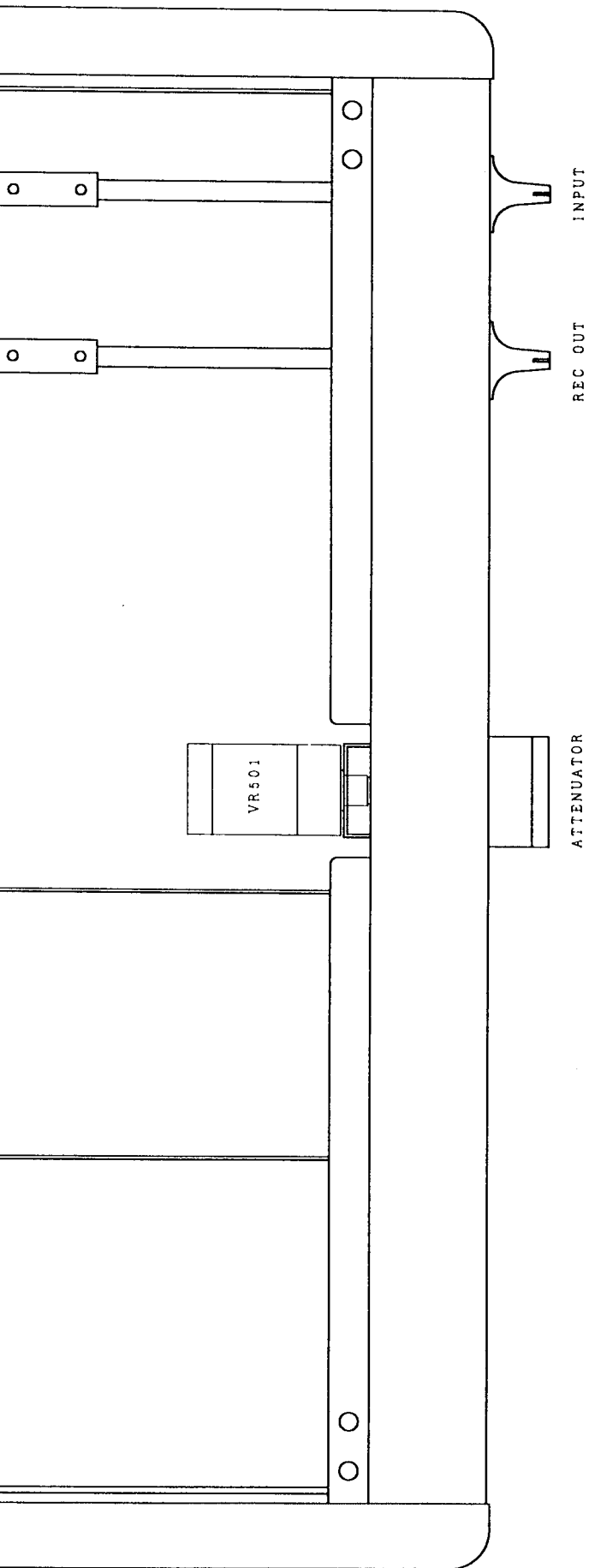
Parts List

SYMBOL	PARTS NO.	DESCRIPTION
	E-1167	PCB ASSEMBLY
R513, R514	054 MK2100RFEZ	R. METAL 1% 100Ω
R515~524	054 MK23K32FEZ	R. METAL 1% 3.32K
S501, S502	062 C-4407A01	ROTARY SWITCH
VR501	151 C-4408A01	VOLUME
	066 PK4-33A00T	2P PINJACK
	OTHERS	
	011 PK2-01A00	FRONT PANEL
	012 PK4-13A00	KNOB 23φ

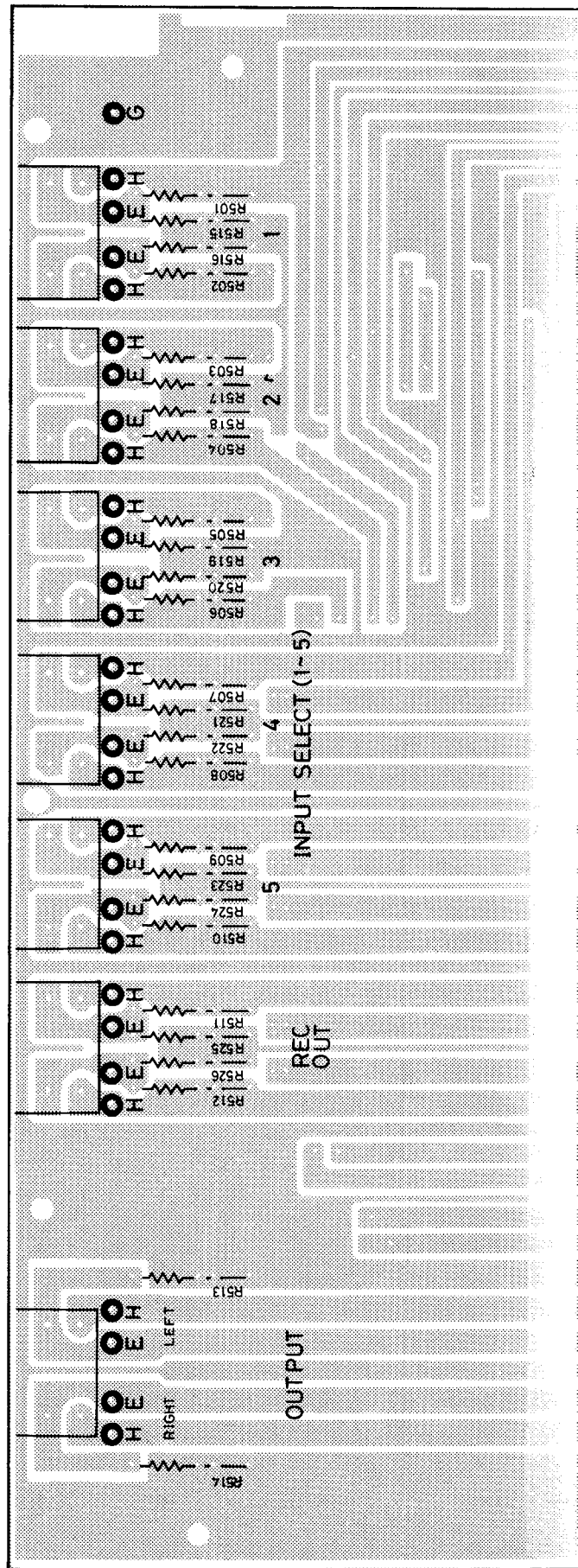
SYMBOL	PARTS NO.	DESCRIPTION
	012 PK4-14A00	KNOB 33φ (WF)
	012 PK4-15B00	KNOB 33φ (WR)
	014 PK3-05A00	UPPER COVER
	014 PK3-24A00T	SIDE WOOD BOARD
	015 TRP-558	PRINTED REAR CHASSIS
	019 PK4-07A00T	METAL FOOT
	069 PK4-25A00T	EATH TERMINAL
	081 PK4-38A01	INSIDE CARTON

Wiring Diagram

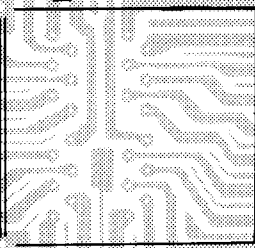




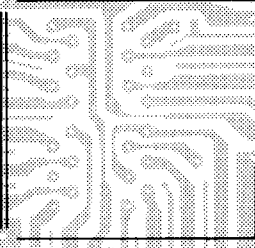
PCB Assembly



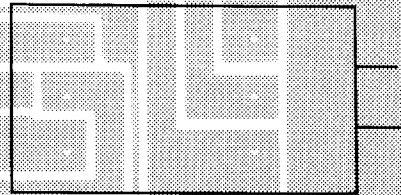
INPUT SELECT SW.
S501



REC SELECT SW.
S502



VOLUME
VR501

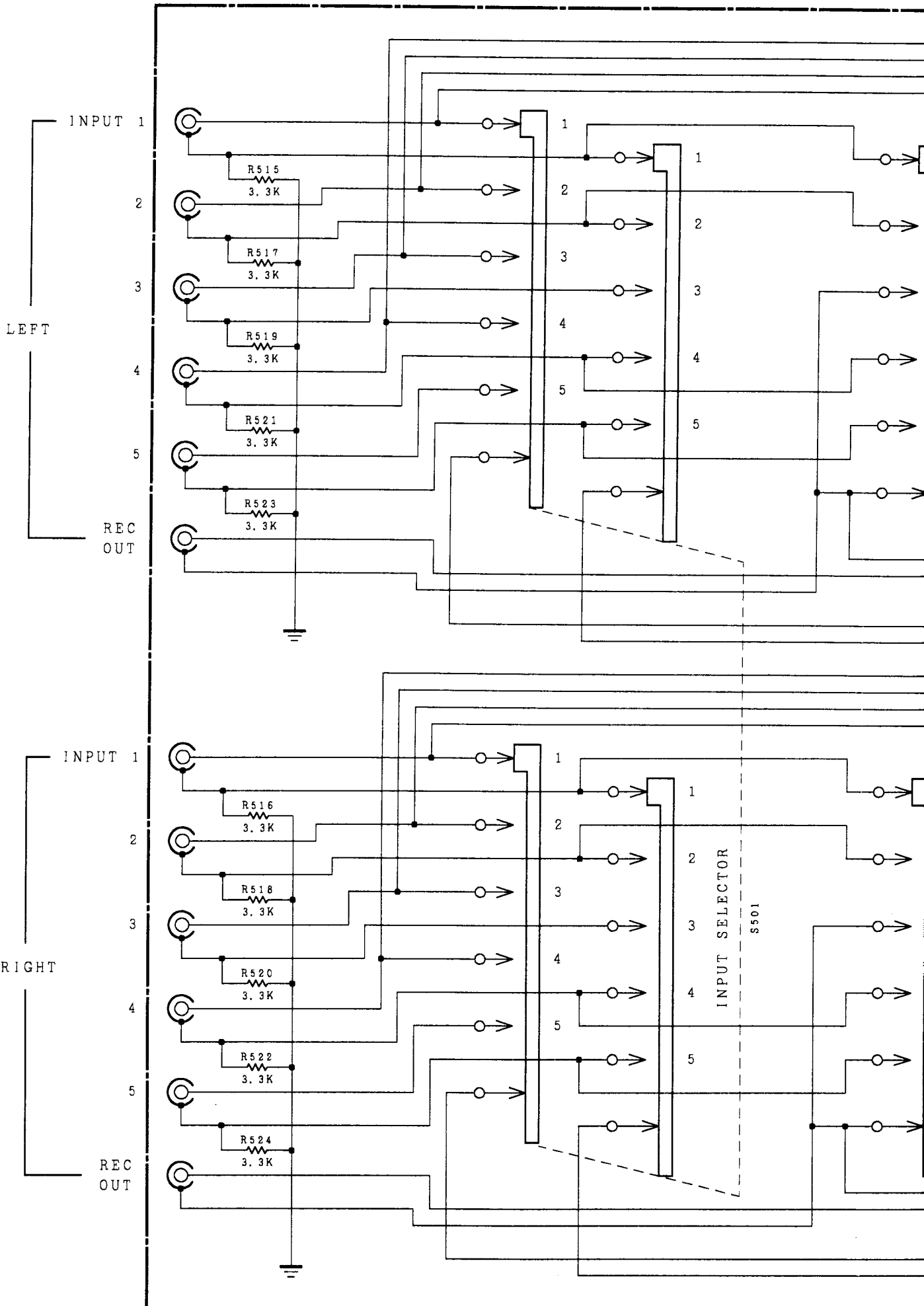


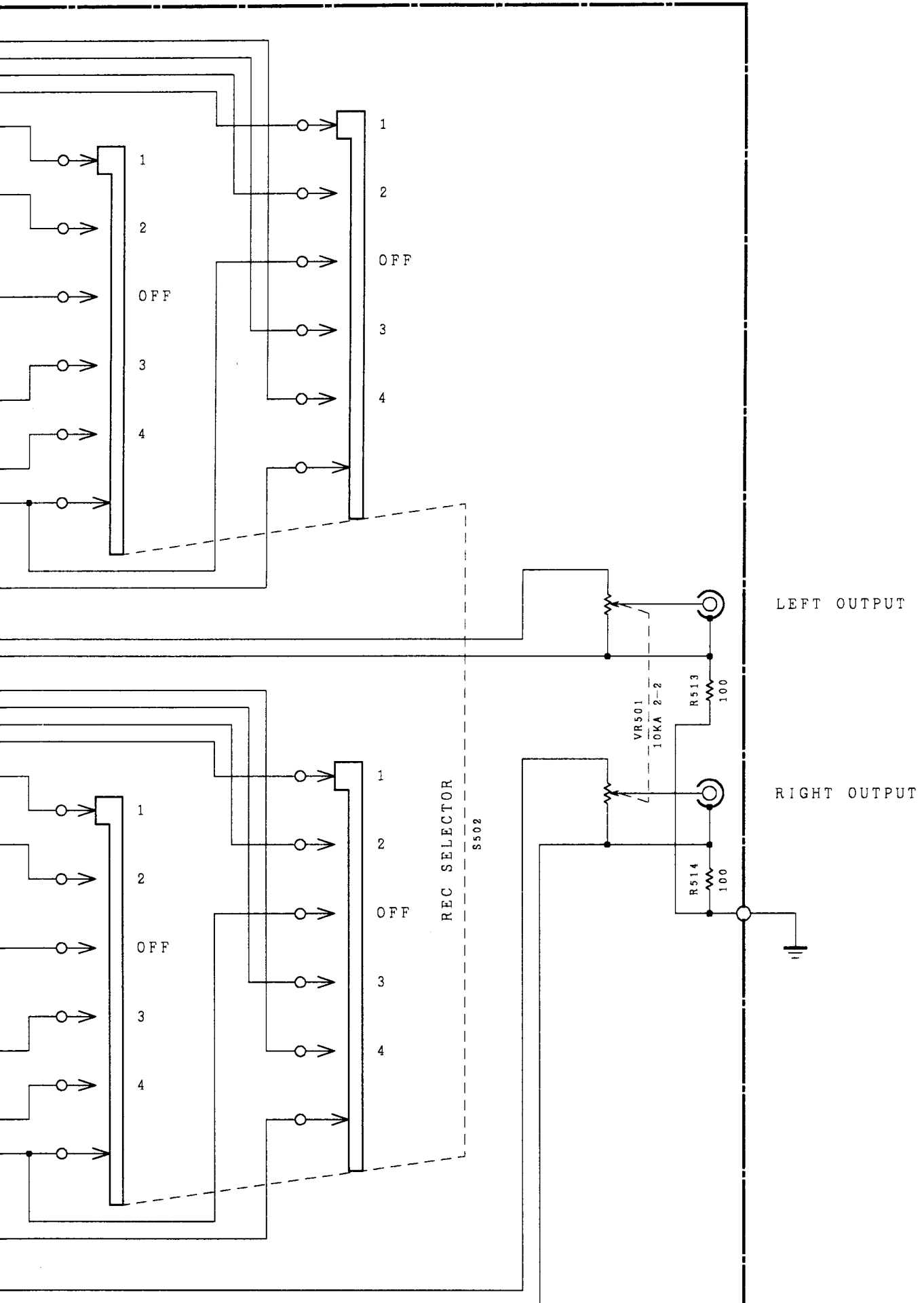
RIGHT

LEFT

016E1167A00T

Schematic Diagram STEREO PASSIVE CONTROLLER RHC10





016E-1167A00T