

ROTEL *hiFi*

Technical Manual

RHCD 10 RH Series CD Player

SPECIFICATIONS: RHCD 10

Frequency Response	5-20,000 Hz, +/- 0.5 dB
Dynamic Range	> 100 dB
Separation	> 120 dB, full bandwidth
Signal to Noise Ratio	> 115 dB, (A wtd.)
Total Harmonic Distortion	< 0.003%
Linearity (w/o dither)	+/- 1.0 dB at -90 dB
(with dither)	+/- 0.5 dB at -90 dB
Analog Output Impedance	100 Ohms
Analog Output Level	2 Volts
Digital Filter	8 x Oversampling
Digital to Analog Convertors	20 Bit Precision DACs
Digital Output Impedance	75 Ohms (BNC, RCA Coax)
Digital Output Level	0.5 Volts, peak to peak
Dimensions (mm)	470 (w) x 151 (h) x 344 (w)
(inches)	18-1/2 x 5-31/32 x 13-1/2
Weight (kg)	10.7
(lbs)	23.5

All specifications are accurate at the time of printing. Rotel reserve the right to make improvements without notice.

Serial No.
Beginning

THE ROTEL CO., LTD.
ROTEL ELECTRONICS CO., LTD.

4TH FL. BUNZAN-SHINSEN BLDG., 10-10 SHINSEN-CHO.
SHIBUYA-KU, TOKYO 150 JAPAN.
3RD FL. ROTEL BLDG., NO.35 FUSHING NORTH ROAD.
TAIPEI, TAIWAN, REPUBLIC OF CHINA.

SYMBOL	PARTS NO.	DESCRIPTION	SYMBOL	PARTS NO.	DESCRIPTION
<u>E-1217 PCB ASSEMBLY</u>					
C100	044 MKT26-63V104J	CAP, FILM 63V0. 1UF	C509	046 50V473K	CAP, CERA. 50V0. 047UF
C101	044 MKT26-100V222J	CAP, FILM 100V0. 0022UF	C550, 551	041 U16V220	CAP, ELEC. 16V220UF
C102	041 U16V220	CAP, ELEC. 16V220UF	C552, 553	046 50V473K	CAP, CERA. 50V0. 047UF
C103, 104	046 50V473K	CAP, CERA. 50V0. 047UF	C554, 555	041 U16V220	CAP, ELEC. 16V220UF
C105	044 MKT26-100V103J	CAP, FILM 100V0. 01UF	C556, 557	046 50V473K	CAP, CERA. 50V0. 047UF
C106, 107	041 U16V220	CAP, ELEC. 16V220UF	C558	044 MKT26-100V102J	CAP, FILM 100V0. 001UF
C108	044 MKT26-63V474J	CAP, FILM 63V0. 47UF	C559	044 MKT26-63V104J	CAP, FILM 63V0. 1UF
C109	046 50V473K	CAP, CERA. 50V0. 047UF	C560	044 MKT26-100V102J	CAP, FILM 100V0. 001UF
C110	044 MKT26-63V474J	CAP, FILM 63V0. 47UF	C561	044 MKT26-63V104J	CAP, FILM 63V0. 1UF
C111	044 MKT26-100V473J	CAP, FILM 100V0. 047UF	C562	044 MKT26-100V102J	CAP, FILM 100V0. 001UF
C112, 113	041 U16V220	CAP, ELEC. 16V220UF	C563	044 MKT26-63V104J	CAP, FILM 63V0. 1UF
C114	044 MKT26-63V104J	CAP, FILM 63V0. 1UF	C564	044 MKT26-100V153J	CAP, FILM 100V0. 015UF
C115	046 50V473K	CAP, CERA. 50V0. 047UF	C565	044 MKT26-63V334J	CAP, FILM 63V0. 33UF
C116	044 MKT26-63V224J	CAP, FILM 63V0. 22UF	C566	044 MKT26-100V222J	CAP, FILM 100V0. 0022UF
C117	044 MKT26-63V474J	CAP, FILM 63V0. 47UF	C600	041 U25V100	CAP, ELEC. 25V100UF
C118	046 50V473K	CAP, CERA. 50V0. 047UF	C601	046 50V473K	CAP, CERA. 50V0. 047UF
C119	041 U25V47	CAP, ELEC. 25V47UF	C603	046 50V473K	CAP, CERA. 50V0. 047UF
C120, 121	041 U16V220	CAP, ELEC. 16V220UF	C604, 605	043 50VCH470	CAP, CERA. 50V47pF
C122, 123	046 50V473K	CAP, CERA. 50V0. 047UF	C650	041 U25V100	CAP, ELEC. 25V100UF
C124	044 MKT26-100V223J	CAP, FILM 100V0. 022UF	C651	046 50V473K	CAP, CERA. 50V0. 047UF
C125	046 50V471J	CAP, CERA. 50V470pF	C652, 653	041 U50V22	CAP, ELEC. 50V22UF
C126	044 MKT26-100V102J	CAP, FILM 100V0. 001UF	C654	043 50VZF222	CAP, CERA. 50V0. 0022UF
C127	043 50VCH101	CAP, CERA. 50V100pF	C655	041 U16V470	CAP, ELEC. 16V470UF
C128	043 50VCH221	CAP, CERA. 50V220pF	C657	041 U50V010	CAP, ELEC. 50V1UF
C129	044 MKT26-100V472J	CAP, FILM 100V0. 0047UF	C659	044 MKT26-63V104J	CAP, FILM 63V0. 1UF
C130	044 MKT26-63V224J	CAP, FILM 63V0. 22UF	C660	046 50V473K	CAP, CERA. 50V0. 047UF
C131	041 U16V220	CAP, ELEC. 16V220UF	C700	046 50V473K	CAP, CERA. 50V0. 047UF
C400	041 U25V100	CAP, ELEC. 25V100UF	C701	041 U25V100	CAP, ELEC. 25V100UF
C401	046 50V473K	CAP, CERA. 50V0. 047UF	C702	041 U16V220	CAP, ELEC. 16V220UF
C402	041 U25V100	CAP, ELEC. 25V100UF	C703	046 50V473K	CAP, CERA. 50V0. 047UF
C403	046 50V473K	CAP, CERA. 50V0. 047UF	C704	041 U16V220	CAP, ELEC. 16V220UF
C404	041 U25V100	CAP, ELEC. 25V100UF	C705, 706	046 50V473K	CAP, CERA. 50V0. 047UF
C405	046 50V473K	CAP, CERA. 50V0. 047UF	C707	041 U35V33	CAP, ELEC. 35V33UF
C406	044 MKT26-63V224J	CAP, FILM 63V0. 22UF	C708	046 50V473K	CAP, CERA. 50V0. 047UF
C407, 408	044 KP30-63V822F	CAP, P. P 63V0. 0082UF	C709	041 U35V33	CAP, ELEC. 35V33UF
C409	044 MKT26-100V473J	CAP, FILM 100V0. 047UF	C710, 711	046 50V473K	CAP, CERA. 50V0. 047UF
C410	044 MKT26-63V334J	CAP, FILM 63V0. 33UF	C900	041 U50V010	CAP, ELEC. 50V1UF
C411	046 50V102J	CAP, CERA. 50V0. 001UF	C901	041 U25V100	CAP, ELEC. 25V100UF
C412	044 MKT26-63V224J	CAP, FILM 63V0. 22UF	C902~905	043 500VZF103	CAP, CERA. 500V0. 01UF
C413, 414	044 MKT26-100V333J	CAP, FILM 100V0. 033UF	C906	046 50V473K	CAP, CERA. 50V0. 047UF
C415	041 U25V100	CAP, ELEC. 25V100UF	C907	041 LGS1V472MHS	CAP, ELEC. 35V4700UF
C500	041 U25V100	CAP, ELEC. 25V100UF	C908	044 MKP10-160V104M	CAP, P. P 160V0. 1UF
C501	046 50V473K	CAP, CERA. 50V0. 047UF	C909	041 LGS1V472MHS	CAP, ELEC. 35V4700UF
C502	044 MKT26-100V222J	CAP, FILM 100V0. 0022UF	C910	044 MKP10-160V104M	CAP, P. P 160V0. 1UF
C503	044 MKT26-63V474J	CAP, FILM 63V0. 47UF	C911	041 25BGF100M	CAP, ELEC. 25V100UF
C504	043 50VCH470	CAP, CERA. 50V47pF	C912	044 MKP37-100V104K	CAP, P. P 100V0. 1UF
C505	044 MKT26-100V223J	CAP, FILM 100V0. 022UF	C913	041 25BGF100M	CAP, ELEC. 25V100UF
C506	041 U25V100	CAP, ELEC. 25V100UF	C914	044 MKP37-100V104K	CAP, P. P 100V0. 1UF
C507	044 MKT26-50V225J	CAP, FILM 50V2. 2UF	C915	041 25BGF100M	CAP, ELEC. 25V100UF
C508	041 U25V100	CAP, ELEC. 25V100UF			

SYMBOL	PARTS NO.	DESCRIPTION
C917	041 25BGF100M	CAP, ELEC. 25V100UF
C919~922	043 500VZF103	CAP, CERA. 500V0. 01UF
C923	046 50V473K	CAP, CERA. 50V0. 047UF
C924, 925	041 LGS1V472MHS	CAP, ELEC. 35V4700UF
C926, 927	044 MKP10-160V104M	CAP, P. P 160V0. 1UF
C928, 929	041 25BGF100M	CAP, ELEC. 25V100UF
C930, 931	044 MKP37-100V104K	CAP, P. P 100V0. 1UF
C932, 933	041 25BGF100M	CAP, ELEC. 25V100UF
C936~939	043 500VZF103	CAP, CERA. 500V0. 01UF
C940	046 50V473K	CAP, CERA. 50V0. 047UF
C941	041 LGS1C472MHS	CAP, ELEC. 16V4700UF
C942	046 50V473K	CAP, CERA. 50V0. 047UF
C943~946	043 500VZF103	CAP, CERA. 500V0. 01UF
C948	041 U16V4700	CAP, ELEC. 16V4700UF
C949	046 50V473K	CAP, CERA. 50V0. 047UF
C950	041 U50V010	CAP, ELEC. 50V1UF
C951	041 U25V100	CAP, ELEC. 25V100UF
C953~956	043 500VZF103	CAP, CERA. 500V0. 01UF
C958, 959	041 U16V2200	CAP, ELEC. 16V2200UF
C960, 961	046 50V473K	CAP, CERA. 50V0. 047UF
C962, 963	041 U16V220	CAP, ELEC. 16V220UF
C964, 965	046 50V473K	CAP, CERA. 50V0. 047UF
C966~969	043 500VZF103	CAP, CERA. 500V0. 01UF
C971, 972	041 U25V2200	CAP, ELEC. 25V2200UF
C973, 974	046 50V473K	CAP, CERA. 50V0. 047UF
C975, 976	041 U16V220	CAP, ELEC. 16V220UF
D100, 101	034 RD5. 6JS	ZENER DIODE
D400, 401	034 SB0015-03A	DIODE
D501, 502	034 1N4148	DIODE
D600	034 1N4003	DIODE
D900, 901	034 1N4148	DIODE
D902~905	034 1N4003	DIODE
D906~909	034 1N4148	DIODE
D910	034 RD20JS	ZENER DIODE
D912	034 RD20JS	ZENER DIODE
D913~916	034 1N4003	DIODE
D917~920	034 1N4148	DIODE
D921, 922	034 RD20JS	ZENER DIODE
D923~938	034 1N4003	DIODE
D939	034 RD3. 9HS	ZENER DIODE
K100	068 C-4498A14	CONNECTOR BASE 14P
K500	068 C-4469B01	CONNECTOR WITH WIRE
K550	068 C-4498A12	CONNECTOR BASE 12P
K650	068 C-4469C05	CONNECTOR WITH WIRE
K651	068 C-4469C07	CONNECTOR WITH WIRE
K652	068 C-4499A06	CONNECTOR BASE 6P
K700	068 C-4499A06	CONNECTOR BASE 6P
K701	068 C-4485A00	PINJACK 1P
K702	068 C-4486A00	BNC CONNECTOR
K906	068 C-4469A14	CONNECTOR WITH WIRE

SYMBOL	PARTS NO.	DESCRIPTION
K907	068 C-4469A13	CONNECTOR WITH WIRE
K908	068 C-4469A12	CONNECTOR WITH WIRE
L500, 501	021 LAL03TA330K	MICRO INDUCTOR 33UH
L700	021 LAL03TA330K	MICRO INDUCTOR 33UH
L701, 702	021 P17HES20-R5LA	OUTPUT TRANS.
L703, 704	021 LAL03TA330K	MICRO INDUCTOR 33UH
R101	054 MK2100KFECZ	R, METAL 1% 100K
R102	054 MK2012KFECZ	R, METAL 1% 12K
R103	054 MK2024KFECZ	R, METAL 1% 24K
R104	054 ERD2FCJ4R7P	R, FUSIBLE 4. 7Q
R105	054 MK205K6FECZ	R, METAL 1% 5. 6K
R106	054 MK203R3FECZ	R, METAL 1% 3. 3Q
R107	054 MK2100KFECZ	R, METAL 1% 100K
R108	054 MK2100RFECZ	R, METAL 1% 100Q
R109	054 MK2011KFECZ	R, METAL 1% 11K
R110	054 MK2150KFECZ	R, METAL 1% 150K
R111	054 MK2033RFECZ	R, METAL 1% 33Q
R112	054 MK204K7FECZ	R, METAL 1% 4. 7K
R113	054 ERD2FCJ4R7P	R, FUSIBLE 4. 7Q
R114, 115	054 ERQ16NK1R0E	R, FUSIBLE 1Q
R116	054 MK203M3FECZ	R, METAL 1% 3. 3M
R117	054 MK2022RFECZ	R, METAL 1% 22Q
R118	054 MK2100RFECZ	R, METAL 1% 100Q
R119	054 ERD2FCG180P	R, FUSIBLE 18Q
R120	054 MK2012RFECZ	R, METAL 1% 12Q
R121	054 MK2001KFECZ	R, METAL 1% 1K
R122, 123	054 MK2003KFECZ	R, METAL 1% 3K
R124	054 MK2039KFECZ	R, METAL 1% 39K
R125	054 MK2056KFECZ	R, METAL 1% 56K
R126	054 MK2120KFECZ	R, METAL 1% 120K
R127	054 MK2027RFECZ	R, METAL 1% 27Q
R128, 129	054 ERQ16NK1R0E	R, FUSIBLE 1Q
R400~402	054 ERD2FCJ4R7P	R, FUSIBLE 4. 7Q
R403, 404	053 223J	R, CARBON 22K
R405	054 MK2047KFECZ	R, METAL 1% 47K
R406	054 MK2022KFECZ	R, METAL 1% 22K
R407	054 MK2220KFECZ	R, METAL 1% 220K
R408	054 MK201K8FECZ	R, METAL 1% 1. 8K
R409	054 MK205K1FECZ	R, METAL 1% 5. 1K
R410	054 MK2018KFECZ	R, METAL 1% 18K
R411	054 MK2150KFECZ	R, METAL 1% 150K
R412	054 MK2012KFECZ	R, METAL 1% 12K
R500	054 MK202K2FECZ	R, METAL 1% 2. 2K
R501	054 MK2022KFECZ	R, METAL 1% 22K
R502	054 MK201K6FECZ	R, METAL 1% 1. 6K
R504	054 MK209K1FECZ	R, METAL 1% 9. 1K
R505	054 MK2075RFECZ	R, METAL 1% 75Q
R506	054 MK204K7FECZ	R, METAL 1% 4. 7K
R550~553	054 ERD2FCJ4R7P	R, FUSIBLE 4. 7Q
R554	054 MK2560KFECZ	R, METAL 1% 560K

SYMBOL	PARTS NO.	DESCRIPTION
R555	054 MK2010KFECZ	R, METAL 1% 10K
R556	054 MK2020KFECZ	R, METAL 1% 20K
R557	054 MK2010KFECZ	R, METAL 1% 10K
R558	054 MK2020KFECZ	R, METAL 1% 20K
R559	054 MK2560KFECZ	R, METAL 1% 560K
R560	053 220J	R, CARBON 22Ω
R561	054 MK2560KFECZ	R, METAL 1% 560K
R562~565	054 MK2020KFECZ	R, METAL 1% 20K
R566	054 MK2560KFECZ	R, METAL 1% 560K
R567	053 220J	R, CARBON 22Ω
R568	054 MK2560KFECZ	R, METAL 1% 560K
R569	054 MK2010KFECZ	R, METAL 1% 10K
R570	054 MK2020KFECZ	R, METAL 1% 20K
R571	054 MK2010KFECZ	R, METAL 1% 10K
R572	054 MK2020KFECZ	R, METAL 1% 20K
R573	054 MK2560KFECZ	R, METAL 1% 560K
R574	053 220J	R, CARBON 22Ω
R578	054 MK204K7FECZ	R, METAL 1% 4.7K
R579	054 MK2056KFECZ	R, METAL 1% 56K
R580	054 MK2100KFECZ	R, METAL 1% 100K
R581	054 MK2091KFECZ	R, METAL 1% 91K
R582	054 MK203K3FECZ	R, METAL 1% 3.3K
R583	054 MK205K6FECZ	R, METAL 1% 5.6K
R584	054 MK201K2FECZ	R, METAL 1% 1.2K
R585, 586	054 MK204K7FECZ	R, METAL 1% 4.7K
R587	054 MK2150KFECZ	R, METAL 1% 150K
R588	054 MK2033KFECZ	R, METAL 1% 33K
R589	054 MK205K6FECZ	R, METAL 1% 5.6K
R590	054 MK2680KFECZ	R, METAL 1% 680K
R591	054 MK2001MFECZ	R, METAL 1% 1M
R592	054 MK2082KFECZ	R, METAL 1% 82K
R593	054 MK2200KFECZ	R, METAL 1% 200K
R594	054 MK208K2FECZ	R, METAL 1% 8.2K
R595, 596	054 MK2001KFECZ	R, METAL 1% 1K
R601	054 ERD2FCJ4R7P	R, FUSIBLE 4.7Ω
R602~608	053 223J	R, CARBON 22K
R609	053 224J	R, CARBON 220K
R610	054 RYLS8J223	R, ALLEY 8P 22K
R611~613	053 223J	R, CARBON 22K
R620	054 RYLS8J223	R, ALLEY 8P 22K
R621~625	053 223J	R, CARBON 22K
R650	054 ERD2FCJ4R7P	R, FUSIBLE 4.7Ω
R651	054 RYLS8J223	R, ALLEY 8P 22K
R657	054 RYLS8J223	R, ALLEY 8P 22K
R658, 659	053 103J	R, CARBON 10K
R677	053 183J	R, CARBON 18K
R678	053 103J	R, CARBON 10K
R679~681	053 203J	R, CARBON 20K
R682	053 221J	R, CARBON 220Ω
R683	053 203J	R, CARBON 20K

SYMBOL	PARTS NO.	DESCRIPTION
R700	054 MK204K7FECZ	R, METAL 1% 4.7K
R701, 702	054 MK2075RFECZ	R, METAL 1% 75Ω
R900	053 102J	R, CARBON 1K
R901	053 103J	R, CARBON 10K
R902	053 223J	R, CARBON 22K
R903	053 103J	R, CARBON 10K
R904	053 150J	R, CARBON 15Ω
R905	053 393J	R, CARBON 39K
R906	042 154J	R, CARBON 150K
R907	053 222J	R, CARBON 2.2K
R908	053 103J	R, CARBON 10K
R909, 910	053 153J	R, CARBON 15K
R911	054 MK2047KFECZ	R, METAL 1% 47K
R912, 913	054 MK2120RFECZ	R, METAL 1% 120Ω
R914, 915	054 MK2100RFECZ	R, METAL 1% 100Ω
R916	054 MK2047KFECZ	R, METAL 1% 47K
R917, 918	054 MK2120RFECZ	R, METAL 1% 120Ω
R919, 920	054 MK2100RFECZ	R, METAL 1% 100Ω
R921	053 221J	R, CARBON 220Ω
R922	053 102J	R, CARBON 1K
R923	053 103J	R, CARBON 10K
R924	053 472J	R, CARBON 4.7K
R925, 926	053 103J	R, CARBON 10K
T100	032 2SC2274K-EF	TRANSISTOR
T500	032 2SA1016K-FG	TRANSISTOR
T550, 551	032 2SA608K-FG	TRANSISTOR
T900, 901	032 2SC2274K-EF	TRANSISTOR
T902	032 2SA608K-FG	TRANSISTOR
T903	032 2SC536K-FG	TRANSISTOR
T904	032 2SC2362K-FG	TRANSISTOR
T905	032 2SA1016K-FG	TRANSISTOR
T906	032 2SD1666-RS	TRANSISTOR
T907	032 2SB1133-RS	TRANSISTOR
T908	032 2SA1016K-FG	TRANSISTOR
T909, 910	032 2SC2362K-FG	TRANSISTOR
T911	032 2SA1016K-FG	TRANSISTOR
T912	032 2SD1666-RS	TRANSISTOR
T913	032 2SB1133-RS	TRANSISTOR
T914	032 2SA1016K-FG	TRANSISTOR
T915	032 2SC2362K-FG	TRANSISTOR
T916	032 2SA608K-FG	TRANSISTOR
T917	032 2SD1666-RS	TRANSISTOR
T918	032 2SC2362K-FG	TRANSISTOR
U100	031 TDA8808T	IC
U101, 102	031 TCA0372DP1	IC
U400	031 TDA8809T	IC
U404	031 MC68HC711E9FU	IC
U405	031 TC74HC14AP	IC
U407	031 TDA0372DP1	IC
U500	031 SAA7310GP	IC

SYMBOL	PARTS NO.	DESCRIPTION
U501	031 MN4264P	IC
U550~554	031 TCA0372DP1	IC
U600	031 ZC405027P/SO	IC
U601	031 TC74HC00AP	IC
U700	031 PCF2705P	IC
U701, 702	031 TC74HCU04AP	IC
U901	031 NJM79M05FA	IC
U902	031 NJM78M05FA	IC
U903	031 NJM7909FA	IC
U904	031 NJM7809FA	IC
X600	023 49U4	CRYSTAL OSC. 4MHz
<u>E-1218 PCB ASSEMBLY</u>		
B201	069 C-4487A09	BUS BAR
C201	046 50V473K	CAP, CERA. 50V0. 047UF
C202, 203	041 10BGF1000M	CAP, ELEC. 10V1000UF
C204	046 50V473K	CAP, CERA. 50V0. 047UF
C205	041 10BGF1000M	CAP, ELEC. 10V1000UF
C206	046 50V473K	CAP, CERA. 50V0. 047UF
C207	041 10BGF1000M	CAP, ELEC. 10V1000UF
C208	046 50V473K	CAP, CERA. 50V0. 047UF
C209	041 10BGF1000M	CAP, ELEC. 10V1000UF
C210	046 50V473K	CAP, CERA. 50V0. 047UF
C211, 212	044 M500V220J	CAP, MICA 500V22pF
C213	046 50V473K	CAP, CERA. 50V0. 047UF
C214	041 10BGF1000M	CAP, ELEC. 10V1000UF
C216	046 50V473K	CAP, CERA. 50V0. 047UF
C217	041 10BGF1000M	CAP, ELEC. 10V1000UF
C218, 219	041 25BGF100M	CAP, ELEC. 25V100UF
C220, 221	044 MKP10-160V104M	CAP, P. P 160V0. 1UF
C222, 223	041 25BGF100M	CAP, ELEC. 25V100UF
C224, 225	044 MKP10-160V104M	CAP, P. P 160V0. 1UF
C228, 229	041 25BGF100M	CAP, ELEC. 25V100UF
C232, 233	041 25BGF100M	CAP, ELEC. 25V100UF
C234, 235	044 MKP10-160V104M	CAP, P. P 160V0. 1UF
C236, 237	041 25BGF100M	CAP, ELEC. 25V100UF
C238, 239	044 MKP10-160V104M	CAP, P. P 160V0. 1UF
C240, 241	041 25BGF100M	CAP, ELEC. 25V100UF
C242, 243	046 50V473K	CAP, CERA. 50V0. 047UF
C244~247	041 25BGF100M	CAP, ELEC. 25V100UF
C248, 249	044 MKP10-160V104M	CAP, P. P 160V0. 1UF
C250~253	044 S100V3300PJ	CAP, STYROL 100V3300pF
C254, 255	044 S500V470PJ	CAP, STYROL 500V470pF
C256, 257	044 S500V1000PJ	CAP, STYROL 500V1000pF
C258, 259	044 S500V560PJ	CAP, STYROL 500V560pF
C262, 263	044 ECHR1H104JZW	CAP, P. P 50V0. 1UF
C264, 265	044 PHE160V105J	CAP, P. P 160V1UF
C266, 267	041 25BGF100M	CAP, ELEC. 25V100UF
C268	046 50V473K	CAP, CERA. 50V0. 047UF
C269	041 10BGF1000M	CAP, ELEC. 10V1000UF

SYMBOL	PARTS NO.	DESCRIPTION
C299, 300	046 50V473K	CAP, CERA. 50V0. 047UF
C301~304	044 MKP10-160V104M	CAP, P. P 160V0. 1UF
C305	041 10BGF1000M	CAP, ELEC. 10V1000UF
C306	046 50V473K	CAP, CERA. 50V0. 047UF
C307	041 10BGF1000M	CAP, ELEC. 10V1000UF
C308	046 50V473K	CAP, CERA. 50V0. 047UF
C309, 310	044 MKP10-160V104M	CAP, P. P 160V0. 1UF
C311, 312	041 25BGF100M	CAP, ELEC. 25V100UF
C313, 314	044 MKP37-100V104K	CAP, P. P 100V0. 1UF
C315, 316	041 25BGF100M	CAP, ELEC. 25V100UF
C317, 318	044 MKP10-160V104M	CAP, P. P 160V0. 1UF
C319, 320	041 25BGF100M	CAP, ELEC. 25V100UF
C321, 322	044 MKP37-100V104K	CAP, P. P 100V0. 1UF
C323~326	041 25BGF100M	CAP, ELEC. 25V100UF
C327, 328	044 MKP10-160V104M	CAP, P. P 160V0. 1UF
C329, 330	044 MKP37-100V104K	CAP, P. P 100V0. 1UF
C331~334	041 25BGF100M	CAP, ELEC. 25V100UF
C335, 336	044 MKP10-160V104M	CAP, P. P 160V0. 1UF
C337, 338	044 MKP37-100V104K	CAP, P. P 100V0. 1UF
C339~342	041 25BGF100M	CAP, ELEC. 25V100UF
C343, 344	044 MKP10-160V104M	CAP, P. P 160V0. 1UF
C345, 346	044 MKP37-100V104K	CAP, P. P 100V0. 1UF
C347~350	041 25BGF100M	CAP, ELEC. 25V100UF
C351, 352	044 MKP10-160V104M	CAP, P. P 160V0. 1UF
C353, 354	044 MKP37-100V104K	CAP, P. P 100V0. 1UF
C355, 356	041 25BGF100M	CAP, ELEC. 25V100UF
D201, 202	034 RD3. 6HS	ZENER DIODE
D203~220	034 1N4148	DIODE
D223~226	034 LTZ-MR15	ZENER DIODE
D229~240	034 1N4148	DIODE
D241~244	034 LTZ-MR15	ZENER DIODE
D301~304	034 RD5. 6JS	ZENER DIODE
D305~312	034 1N4148	DIODE
D313~316	034 RD16JS	ZENER DIODE
D317~324	034 1N4148	DIODE
D325~328	034 RD16JS	ZENER DIODE
D329~338	034 1N4148	DIODE
K201	068 C-4499A07	CONNECTOR BASE 7P
K202	068 C-4499A15	CONNECTOR BASE 15P
K203	068 C-4499A06	CONNECTOR BASE 6P
K204	068 C-4499A07	CONNECTOR BASE 7P
K205	068 C-4499A10	CONNECTOR BASE 10P
L201~221	021 LAL03TA330K	MICRO INDUCTOR 33UH
PJ201, 202	066 PK4-32B00T	PINJACK 1P
R201	054 MK2001MFECZ	R, METAL 1% 1M
R202	054 MK2220RFECZ	R, METAL 1% 220Ω
R203, 204	054 MK2039RFECZ	R, METAL 1% 39Ω
R205, 206	054 MK2018RFECZ	R, METAL 1% 18Ω
R207~210	054 MK2010RFECZ	R, METAL 1% 10Ω
R211, 212	054 MK2018RFECZ	R, METAL 1% 18Ω

SYMBOL	PARTS NO.	DESCRIPTION
R213, 214	054 MK201K8FECZ	R, METAL 1% 1.8K
R215, 216	054 MK2013KFECZ	R, METAL 1% 13K
R217, 218	054 VSH101	R, METAL 100Ω
R219, 220	054 MK2018KFECZ	R, METAL 1% 18K
R221~224	054 MK2150RFECZ	R, METAL 1% 150Ω
R225~232	054 MK2062RFECZ	R, METAL 1% 62Ω
R233~236	054 MK2075RFECZ	R, METAL 1% 75Ω
R237, 238	054 MK2012KFECZ	R, METAL 1% 12K
R239~242	054 MK2056KFECZ	R, METAL 1% 56K
R243~246	054 MK2027RFECZ	R, METAL 1% 27Ω
R247, 248	054 VSH152	R, METAL 1.5K
R249, 250	054 VSH471	R, METAL 470Ω
R251~254	054 VSH272	R, METAL 2.7K
R255, 256	054 MK2018KFECZ	R, METAL 1% 18K
R257, 258	054 MK2270RFECZ	R, METAL 1% 270Ω
R259~262	054 MK2100RFECZ	R, METAL 1% 100Ω
R263, 264	054 MK2270RFECZ	R, METAL 1% 270Ω
R265, 266	054 MK2100RFECZ	R, METAL 1% 100Ω
R268~270	054 MK2018RFECZ	R, METAL 1% 18Ω
R271, 272	054 MK2100RFECZ	R, METAL 1% 100Ω
R273~276	054 MK2027RFECZ	R, METAL 1% 27Ω
R277, 278	054 MK2560KFECZ	R, METAL 1% 560K
R279, 280	054 VSH101	R, METAL 100Ω
R301~304	054 MK2039RFECZ	R, METAL 1% 39Ω
R305~308	054 MK2220RFECZ	R, METAL 1% 220Ω
R309, 310	054 MK2018KFECZ	R, METAL 1% 18K
R311~314	054 MK2022RFECZ	R, METAL 1% 22Ω
R315~318	054 MK2270RFECZ	R, METAL 1% 270Ω
R319, 320	054 MK2018KFECZ	R, METAL 1% 18K
R321~324	054 MK2022RFECZ	R, METAL 1% 22Ω
R325~328	054 MK2270RFECZ	R, METAL 1% 270Ω
R329, 330	054 MK2018KFECZ	R, METAL 1% 18K
R331, 332	053 821J	R, CARBON 820Ω
S201, 202	063 EA2-24	RELAY
T201, 202	032 2SA1238-FG	TRANSISTOR
T203, 204	032 2SA1016K-FG	TRANSISTOR
T205, 206	032 2SC2362K-FG	TRANSISTOR
T207, 208	032 2SC3065-FG	TRANSISTOR
T209, 210	032 2SA1238-FG	TRANSISTOR
T211~214	032 2SA1016K-FG	TRANSISTOR
T215~218	032 2SC2362K-FG	TRANSISTOR
T219, 220	032 2SC2274K-EF	TRANSISTOR
T221~226	032 2SA984K-EF	TRANSISTOR
T227~232	032 2SC2274K-EF	TRANSISTOR
T233, 234	032 2SA984K-EF	TRANSISTOR
T235, 236	032 2SC2274K-EF	TRANSISTOR
T237, 238	032 2SA984K-EF	TRANSISTOR
T239, 240	032 2SB631K-EF	TRANSISTOR
T241, 242	032 2SD600K-EF	TRANSISTOR
T301, 302	032 2SB631K-EF	TRANSISTOR

SYMBOL	PARTS NO.	DESCRIPTION
T303, 304	032 2SD1666-RS	TRANSISTOR
T305, 306	032 2SC2274K-EF	TRANSISTOR
T307, 308	032 2SA984K-EF	TRANSISTOR
T309, 310	032 2SA1016K-FG	TRANSISTOR
T311, 312	032 2SC2362K-FG	TRANSISTOR
T313, 314	032 2SA984K-EF	TRANSISTOR
T315, 316	032 2SC2274K-EF	TRANSISTOR
T317, 318	032 2SC2362K-FG	TRANSISTOR
T319~322	032 2SA1016K-FG	TRANSISTOR
T323, 324	032 2SC2362K-FG	TRANSISTOR
T325, 326	032 2SA984K-EF	TRANSISTOR
T327, 328	032 2SC2274K-EF	TRANSISTOR
T329, 330	032 2SC2362K-FG	TRANSISTOR
T331~334	032 2SA1016K-FG	TRANSISTOR
T335, 336	032 2SC2362K-FG	TRANSISTOR
T337, 338	032 2SA984K-EF	TRANSISTOR
U201	031 TC74HC175AP	IC
U202	031 TC74HC86AP	IC
U203, 204	031 TC74HC164AP	IC
U205	031 SM5843AP	IC
U206	031 TC74HCU04AP	IC
U207	031 TC74HC175AP	IC
U208, 209	031 PCM63P-K	IC
U210, 211	031 NJM78M05FA	IC
X201	023 49U11.2896	CRYSTAL OSC. 11.2896MHz
<u>X-1219-01 PCB ASSEMBLY</u>		
C800, 801	041 U16V100	CAP, ELEC. 16V100UF
D800~809	034 LA401VD	LED 7seg.
D810~814	034 LN230RP	LED
D815	034 LN376GCPX	LED
D816	034 LN276RCPX	LED
K800	068 C-4499A15	CONNECTOR BASE 15P
K801	068 C-3963#02	CONNECTOR WITH WIRE
K802	068 C-4469A08	CONNECTOR WITH WIRE
R800	053 152J	R, CARBON 1.5K
R801	053 221J	R, CARBON 220Ω
R802	053 152J	R, CARBON 1.5K
R803	053 221J	R, CARBON 220Ω
R804	053 152J	R, CARBON 1.5K
R805	053 221J	R, CARBON 220Ω
R806	053 152J	R, CARBON 1.5K
R807	053 221J	R, CARBON 220Ω
R808	053 152J	R, CARBON 1.5K
R809	053 221J	R, CARBON 220Ω
R810	053 152J	R, CARBON 1.5K
R811	053 221J	R, CARBON 220Ω
R812	053 103J	R, CARBON 10K
R814	053 103J	R, CARBON 10K
R815	053 331J	R, CARBON 330Ω
R816	053 102J	R, CARBON 1K

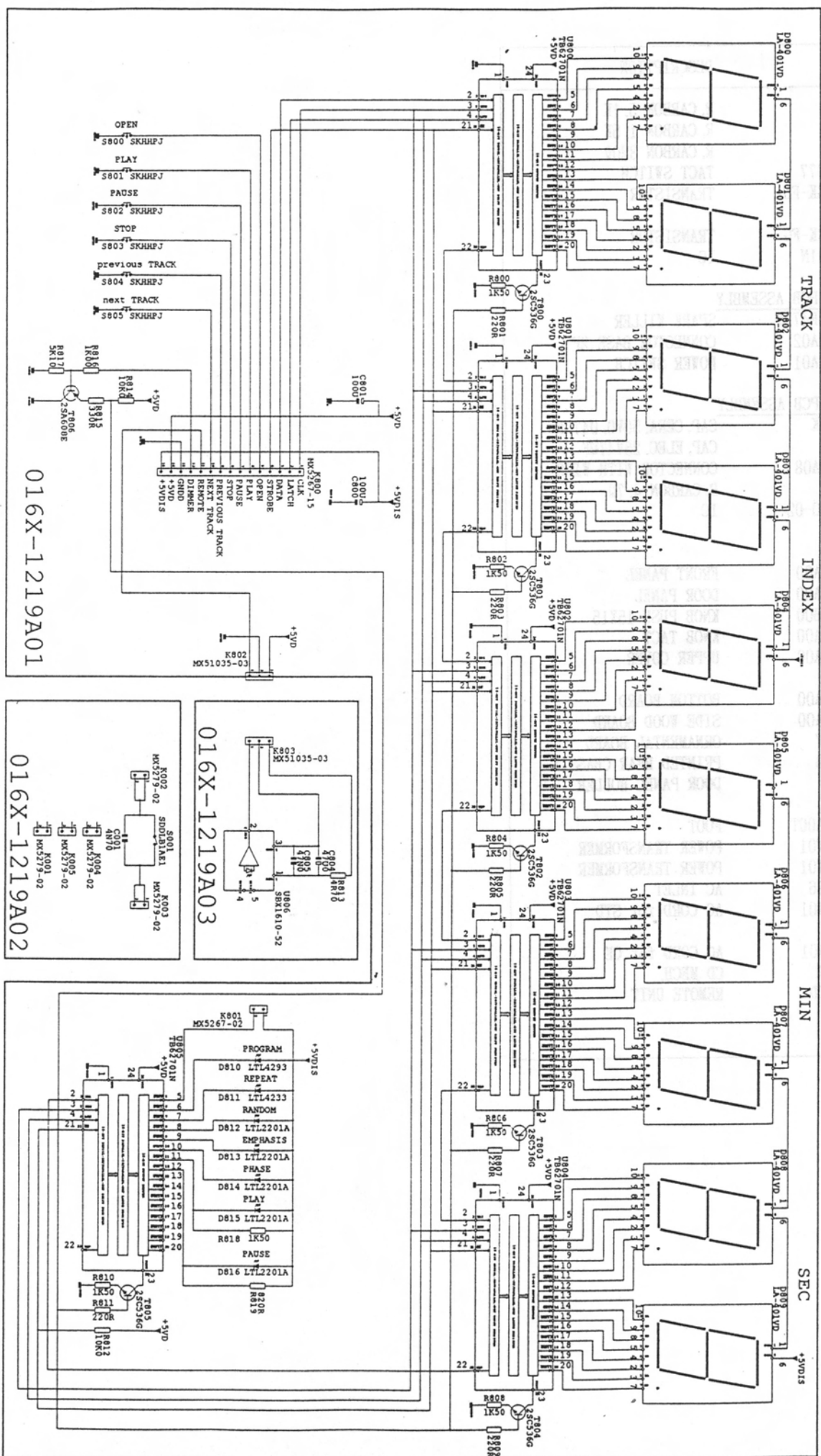
SYMBOL	PARTS NO.	DESCRIPTION
R817	053 512J	R, CARBON 5.1K
R818	053 152J	R, CARBON 1.5K
R819	053 821J	R, CARBON 820Ω
S800~805	061 4TR-2977	TACT SWITCH
T800~805	032 2SC536K-FG	TRANSISTOR
T806	032 2SA608K-FG	TRANSISTOR
U800~805	031 TB62701N	IC
<u>X-1219-02 PCB ASSEMBLY</u>		
C001	044 DE7150F472M	SPARK KILLER
K001~005	068 C-4500A02	CONNECTOR BASE 2P
S001	061 C-4176A01	POWER SWITCH
<u>X-1219-03 PCB ASSEMBLY</u>		
C804	046 50V473K	CAP, CERA. 50V0.047UF
C805	041 U25V47	CAP, ELEC. 25V47UF
K803	068 C-4469A08	CONNECTOR WITH WIRE
R813	053 4R7J	R, CARBON 4.7Ω
U806	031 SBX1610-02	IC
<u>OTHERS</u>		
	011 QL3-01A00	FRONT PANEL
	011 QL4-08A00	DOOR PANEL
	012 PK4-16B00	KNOB PUSH 15X15
	012 PT4-07A00	KNOB TACT
	014 PK3-05A00	UPPER COVER
	014 QL4-06A00	BOTTOM BOARD
	014 QL4-11A00	SIDE WOOD BOARD
	014 TFP-707	ORNAMENTAL BOARD
	015 TRP-693	PRINTED REAR CHASSIS
	019 3TQ0-5	DOOR PANEL HOLDER
	019 PK4-07A00T	FOOT
	022 T-1044T01	POWER TRANSFORMER
	022 T-1045T01	POWER TRANSFORMER
	069 4TR-2786	AC INLET
	072 C-4392A01	AC CORD for STD
	072 C-4393A01	AC CORD for CE
	092 CDM9PRO	CD MECH.
	092 RHR-10CD	REMOTE UNIT

TRACK

INDEX

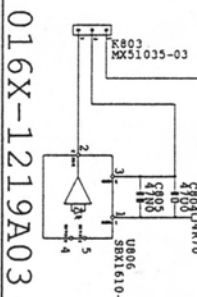
MIN

SEC

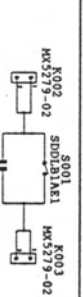


- OPEN
- 8800 SKHHPJ
- PLAY
- 8801 SKHHPJ
- PAUSE
- 8802 SKHHPJ
- STOP
- 8803 SKHHPJ
- previous TRACK
- 8804 SKHHPJ
- next TRACK
- 8805 SKHHPJ

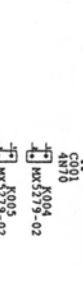
- CLK
- LATCH
- DATA
- STROBE
- OPEN
- PLAY
- PAUSE
- PREVIOUS TRACK
- REMOTE
- DIMMER
- NEXT TRACK
- GROUND
- +5V015



016X-1219A03



016X-1219A02

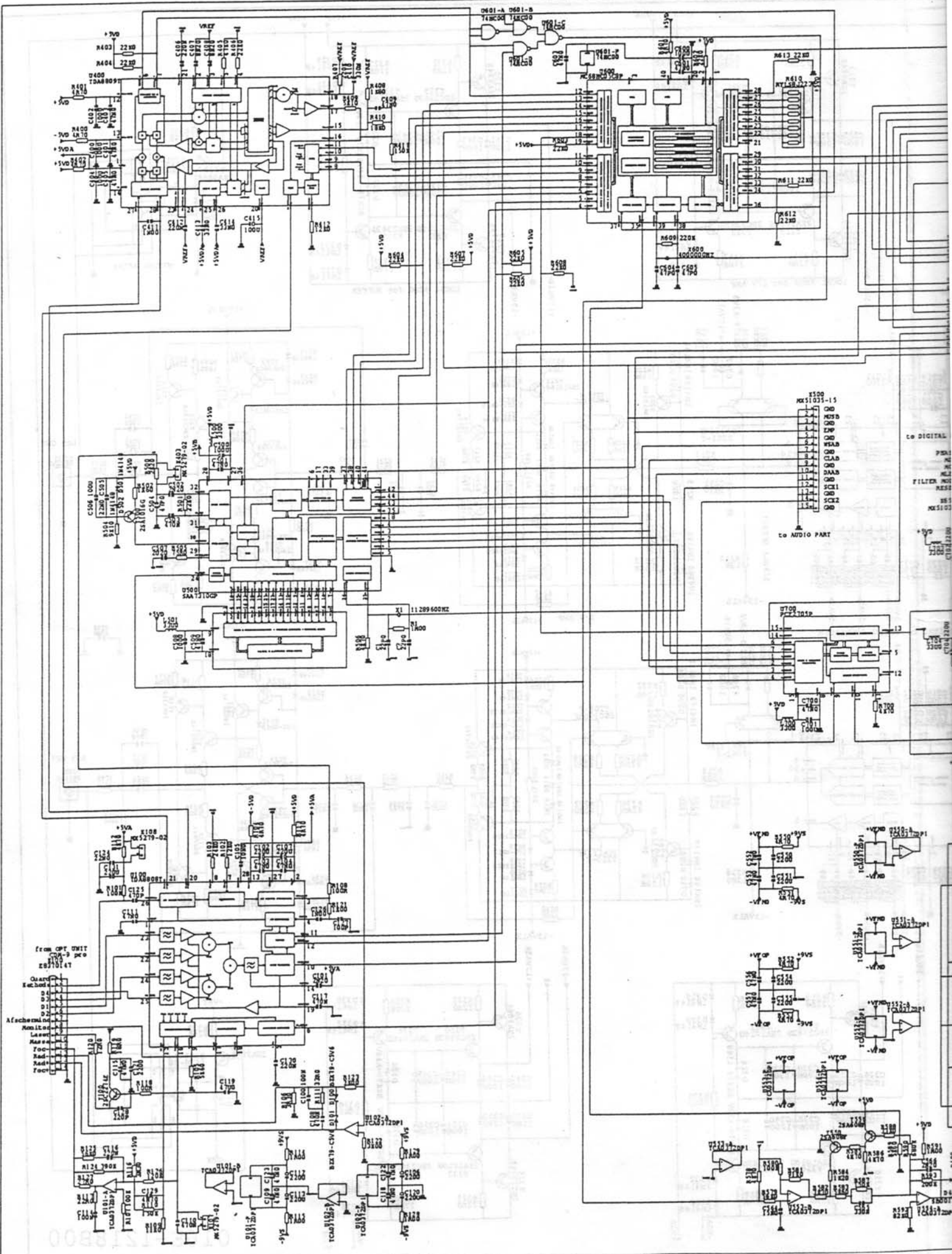


016X-1219A01

- PROGRAM
- D810 LTL4293 REPEAT
- D811 LTL4233 RANDOM
- D812 LTL2201A EMPHASIS
- D813 LTL2201A PHASE
- D814 LTL2201A PLAY
- D815 LTL2201A PAUSE
- D816 LTL2201A

SYMBOL PARTS NO.

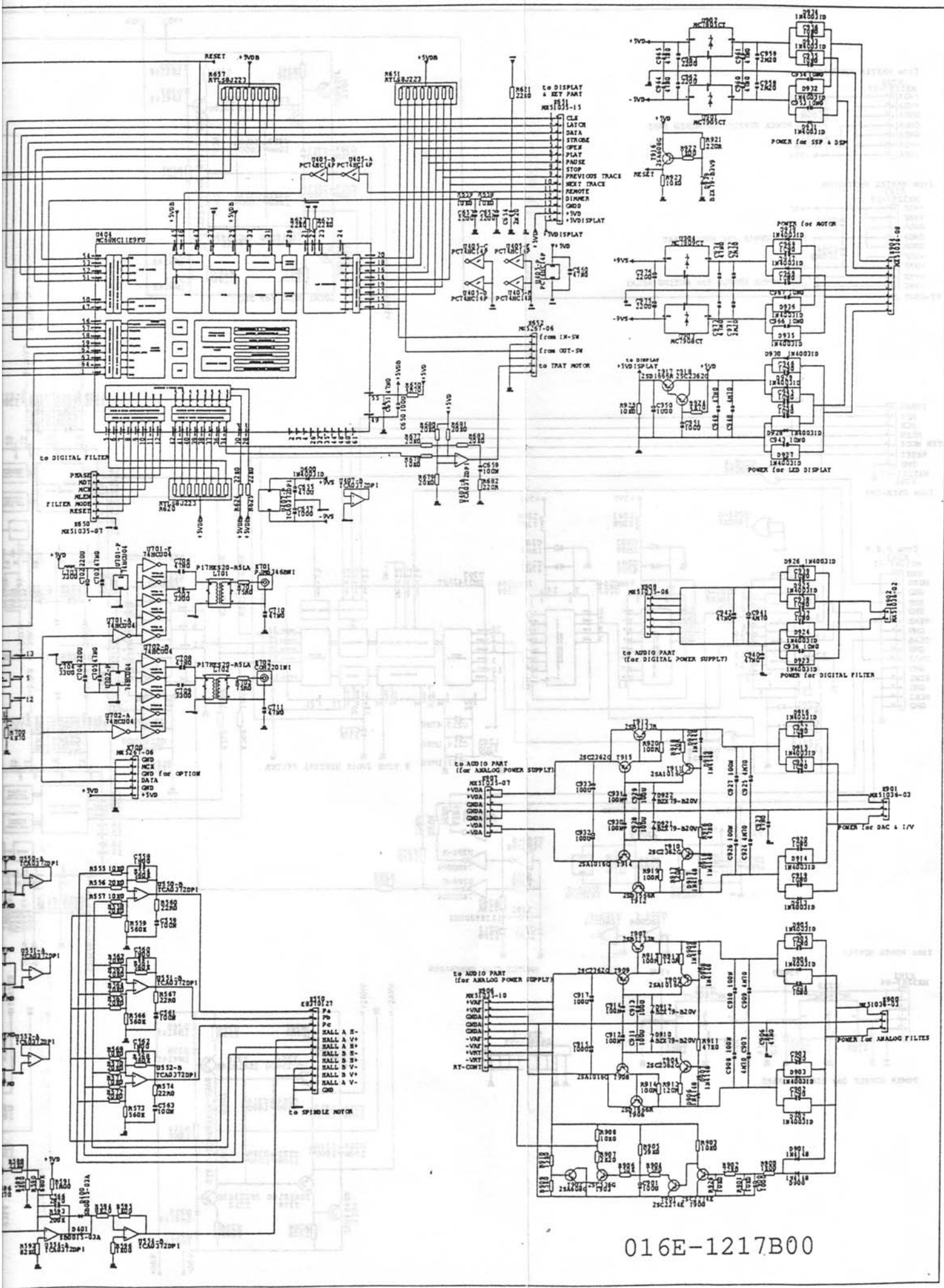
8815	089 8151
8818	089 8811
8819	089 8817
8820	089 8818
8821	089 8819
8822	089 8820
8823	089 8821
8824	089 8822
8825	089 8823
8826	089 8824
8827	089 8825
8828	089 8826
8829	089 8827
8830	089 8828
8831	089 8829
8832	089 8830
8833	089 8831
8834	089 8832
8835	089 8833
8836	089 8834
8837	089 8835
8838	089 8836
8839	089 8837
8840	089 8838
8841	089 8839
8842	089 8840
8843	089 8841
8844	089 8842
8845	089 8843
8846	089 8844
8847	089 8845
8848	089 8846
8849	089 8847
8850	089 8848
8851	089 8849
8852	089 8850
8853	089 8851
8854	089 8852
8855	089 8853
8856	089 8854
8857	089 8855
8858	089 8856
8859	089 8857
8860	089 8858
8861	089 8859
8862	089 8860
8863	089 8861
8864	089 8862
8865	089 8863
8866	089 8864
8867	089 8865
8868	089 8866
8869	089 8867
8870	089 8868
8871	089 8869
8872	089 8870
8873	089 8871
8874	089 8872
8875	089 8873
8876	089 8874
8877	089 8875
8878	089 8876
8879	089 8877
8880	089 8878
8881	089 8879
8882	089 8880
8883	089 8881
8884	089 8882
8885	089 8883
8886	089 8884
8887	089 8885
8888	089 8886
8889	089 8887
8890	089 8888
8891	089 8889
8892	089 8890
8893	089 8891
8894	089 8892
8895	089 8893
8896	089 8894
8897	089 8895
8898	089 8896
8899	089 8897
8900	089 8898
8901	089 8899
8902	089 8900
8903	089 8901
8904	089 8902
8905	089 8903
8906	089 8904
8907	089 8905
8908	089 8906
8909	089 8907
8910	089 8908
8911	089 8909
8912	089 8910
8913	089 8911
8914	089 8912
8915	089 8913
8916	089 8914
8917	089 8915
8918	089 8916
8919	089 8917
8920	089 8918
8921	089 8919
8922	089 8920
8923	089 8921
8924	089 8922
8925	089 8923
8926	089 8924
8927	089 8925
8928	089 8926
8929	089 8927
8930	089 8928
8931	089 8929
8932	089 8930
8933	089 8931
8934	089 8932
8935	089 8933
8936	089 8934
8937	089 8935
8938	089 8936
8939	089 8937
8940	089 8938
8941	089 8939
8942	089 8940
8943	089 8941
8944	089 8942
8945	089 8943
8946	089 8944
8947	089 8945
8948	089 8946
8949	089 8947
8950	089 8948
8951	089 8949
8952	089 8950
8953	089 8951
8954	089 8952
8955	089 8953
8956	089 8954
8957	089 8955
8958	089 8956
8959	089 8957
8960	089 8958
8961	089 8959
8962	089 8960
8963	089 8961
8964	089 8962
8965	089 8963
8966	089 8964
8967	089 8965
8968	089 8966
8969	089 8967
8970	089 8968
8971	089 8969
8972	089 8970
8973	089 8971
8974	089 8972
8975	089 8973
8976	089 8974
8977	089 8975
8978	089 8976
8979	089 8977
8980	089 8978
8981	089 8979
8982	089 8980
8983	089 8981
8984	089 8982
8985	089 8983
8986	089 8984
8987	089 8985
8988	089 8986
8989	089 8987
8990	089 8988
8991	089 8989
8992	089 8990
8993	089 8991
8994	089 8992
8995	089 8993
8996	089 8994
8997	089 8995
8998	089 8996
8999	089 8997
9000	089 8998



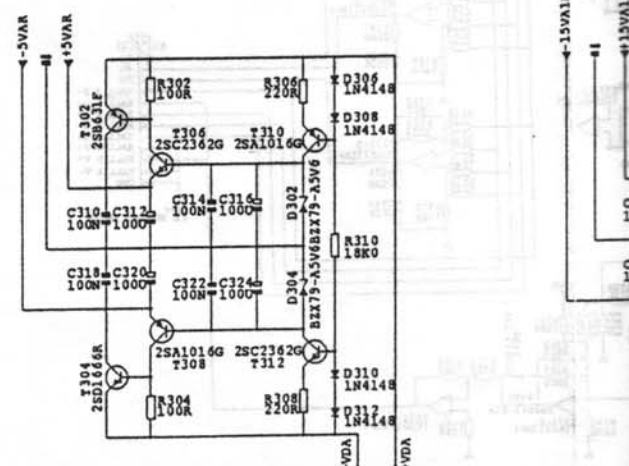
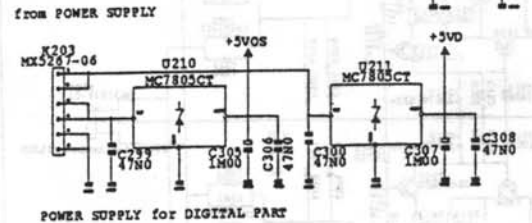
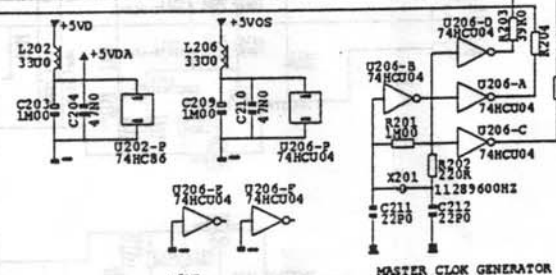
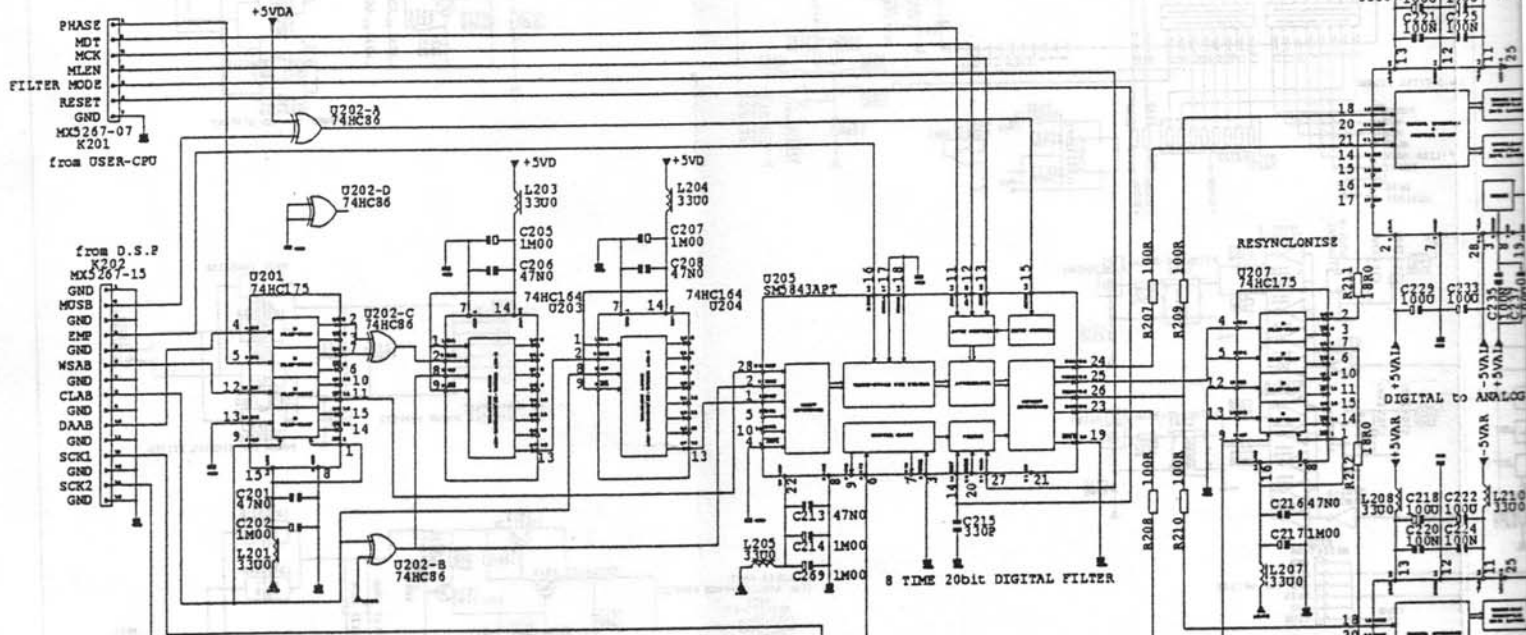
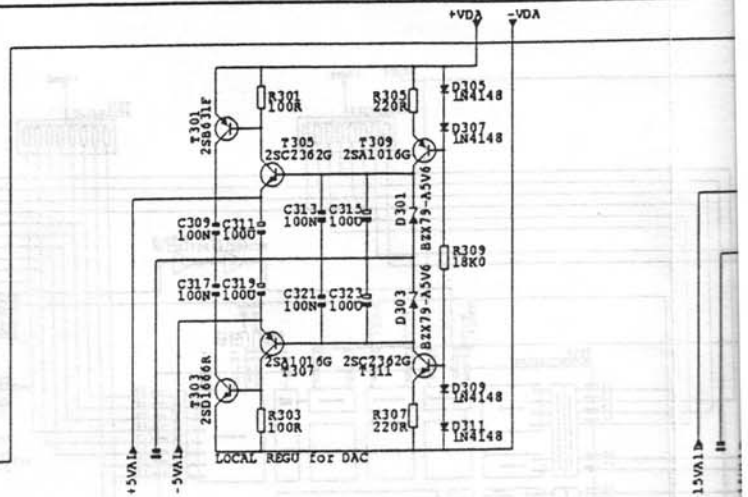
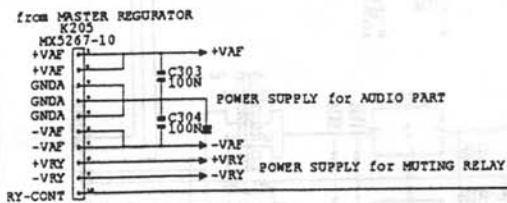
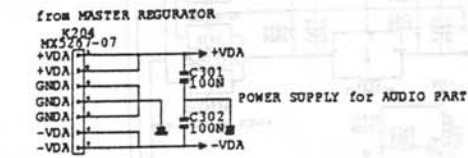
to DIGITAL
PDA1
7410
7411
7412
7413
7414
7415
7416
7417
7418
7419
7420
7421
7422
7423
7424
7425
7426
7427
7428
7429
7430
7431
7432
7433
7434
7435
7436
7437
7438
7439
7440
7441
7442
7443
7444
7445
7446
7447
7448
7449
7450
7451
7452
7453
7454
7455
7456
7457
7458
7459
7460
7461
7462
7463
7464
7465
7466
7467
7468
7469
7470
7471
7472
7473
7474
7475
7476
7477
7478
7479
7480
7481
7482
7483
7484
7485
7486
7487
7488
7489
7490
7491
7492
7493
7494
7495
7496
7497
7498
7499
7500

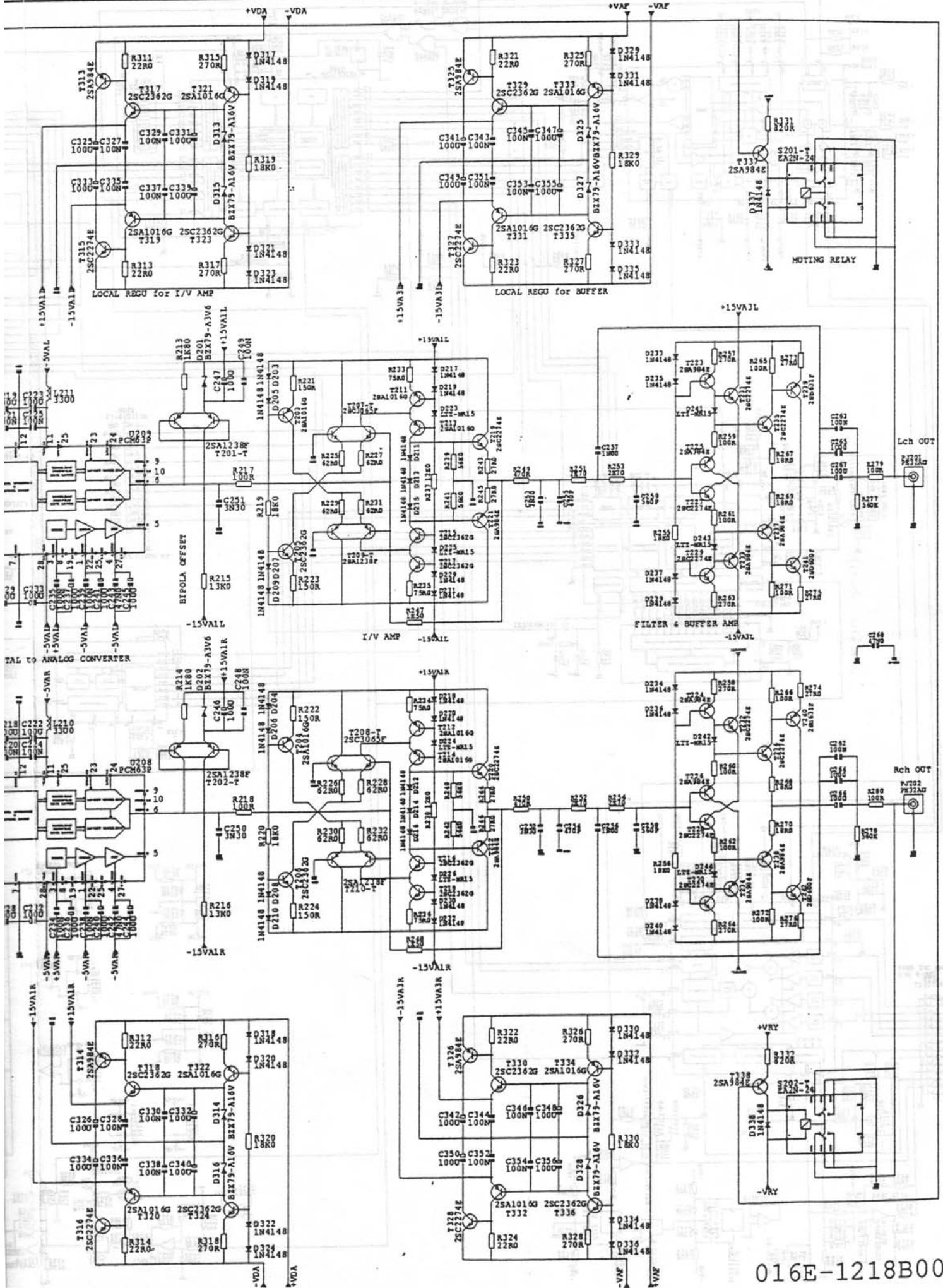
to AUDIO PART
7400
7401
7402
7403
7404
7405
7406
7407
7408
7409
7410
7411
7412
7413
7414
7415
7416
7417
7418
7419
7420
7421
7422
7423
7424
7425
7426
7427
7428
7429
7430
7431
7432
7433
7434
7435
7436
7437
7438
7439
7440
7441
7442
7443
7444
7445
7446
7447
7448
7449
7450
7451
7452
7453
7454
7455
7456
7457
7458
7459
7460
7461
7462
7463
7464
7465
7466
7467
7468
7469
7470
7471
7472
7473
7474
7475
7476
7477
7478
7479
7480
7481
7482
7483
7484
7485
7486
7487
7488
7489
7490
7491
7492
7493
7494
7495
7496
7497
7498
7499
7500

15800

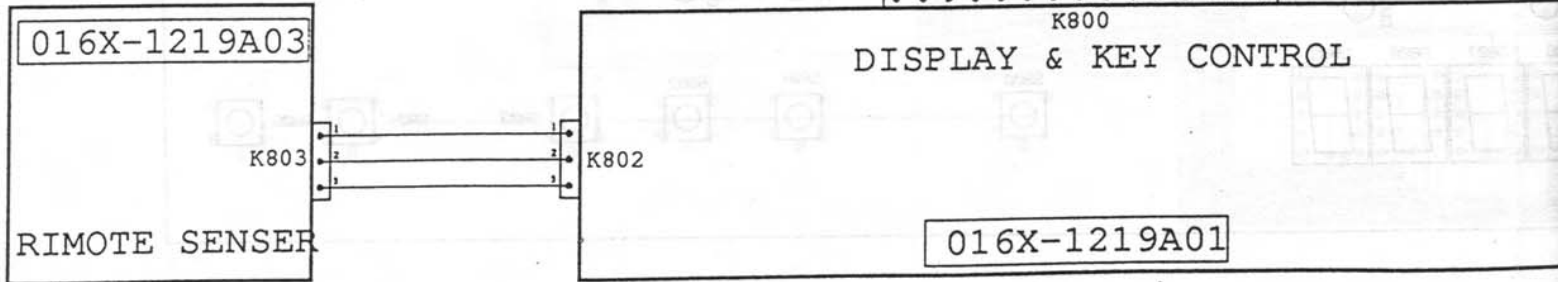
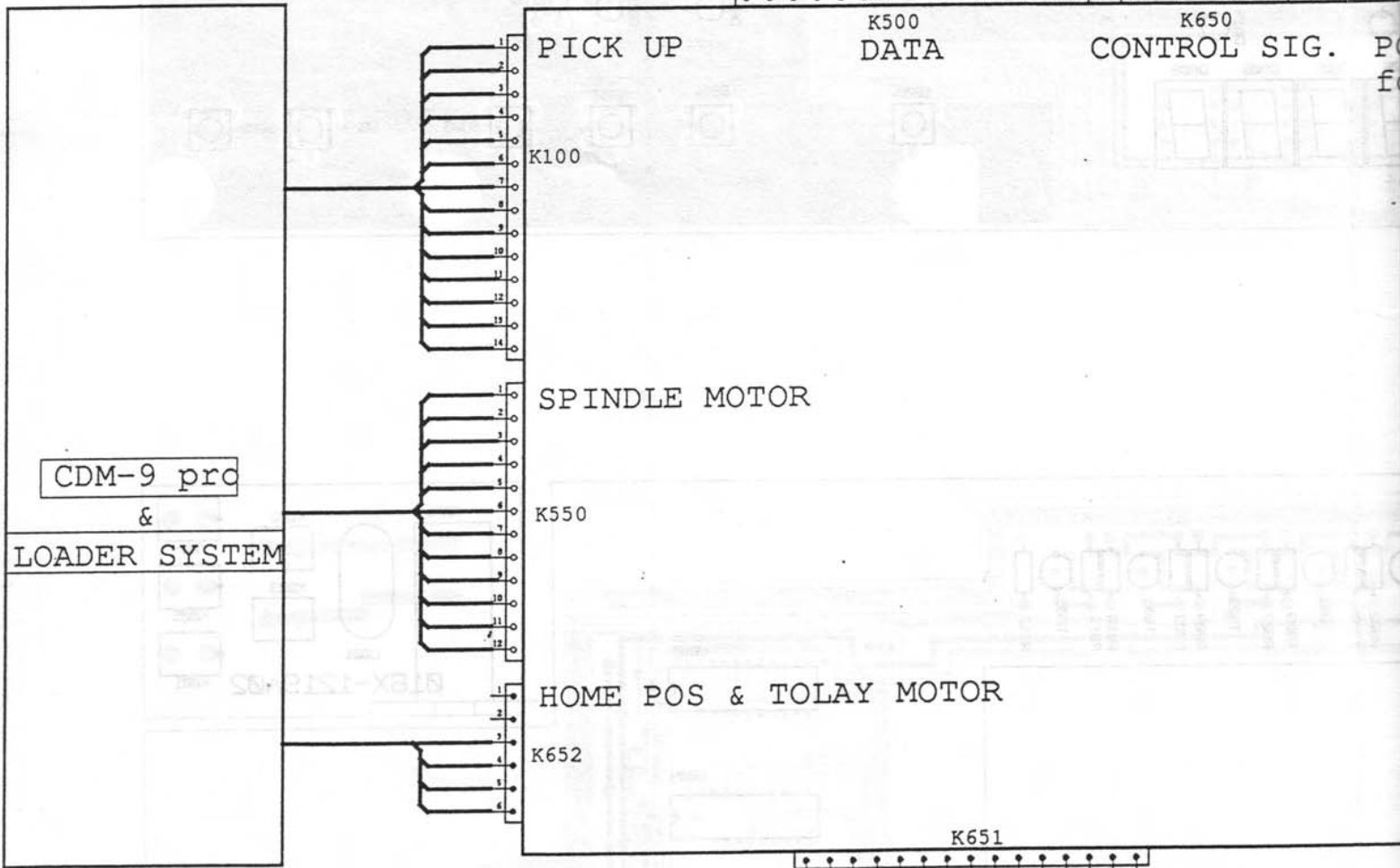
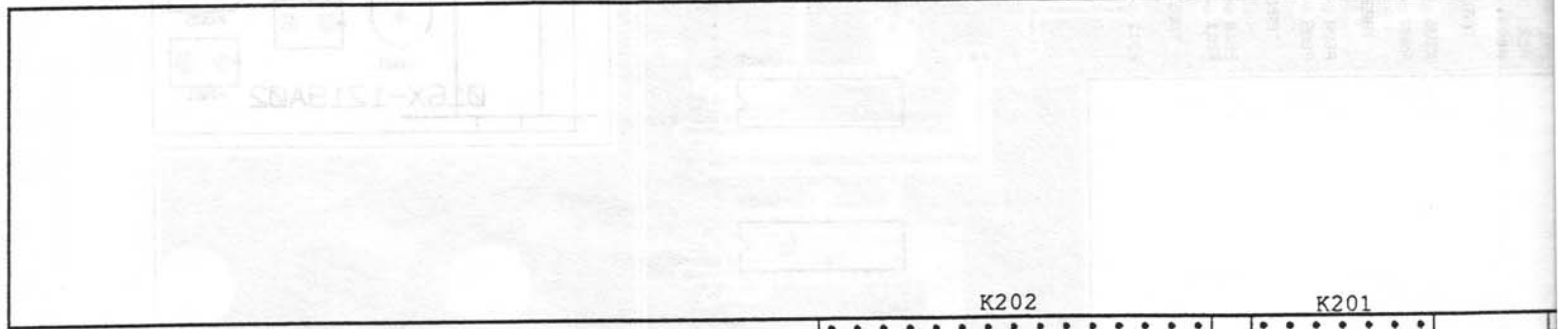


016E-1217B00





016E-1218B00



RHCD10 Wiring Diagram

016E-1218B00

D to A pPCB

POWER SUPPLY
for D/A

K203

K204

K205

K908

K907

K906

IG. POWER SUPPLY
for D.F

POWER SUPPLY
for A.F

K700
OPTION

K904

T-1044T01
POWER TRANSE for SERVO

K902

K901

T-1045T01
POWER TRANSE for AUDIO

K900

016E-1217B00

SERVO PCB

WHIT

WHIT

K003

K002

K004

K005

K001

1 ORN

2 ORN

1 RED

2 RED

1 BLUE

2 BLUE

<-- AC 120V VERSION

In case of another version
AC 100V Ver AC 230V Ver

K002	RED	BLUE
K004	nc	RED
K005	ORN	ORN
K001	BLUE	nc

016X-1219A01

