

Quality. Uncompromised.

**ROTEL®**



# Technical Manual

AM/FM STEREO MUSIC SYSTEM

**RM-400**

SW/MW/LW/FM STEREO MUSIC SYSTEM

**RM-400SL**

## TABLE OF CONTENTS

Chassis Layout (1/2) . . . . .	2	LW RF Alignment (SW/MW/LW/FM only) . . . . .	17
Chassis Layout (2/2) . . . . .	3	SW RF Alignment (SW/MW/LW/FM only) . . . . .	17
Block Diagram . . . . .	4	FM IF and RF Alignment/Signal Indicator Calibration . . . . .	18
Dial Stringing Diagram . . . . .	4	FM MPX Alignment . . . . .	18
Schematic Diagram . . . . .	5	Power Amplifier Bias Adjustment . . . . .	18
Wiring Diagram . . . . .	10	Playback System Adjustments . . . . .	19
Disassembly Diagram (1/2) . . . . .	13	Recording System Adjustments . . . . .	19
Disassembly Diagram (2/2) . . . . .	14	REC/PB System Adjustments . . . . .	20
AM IF and RF Alignment/Signal Indicator Calibration . . . . .	17	PLAYER Disassembly Diagram . . . . .	29
AM IF Alignment . . . . .	17	Repair Parts List . . . . .	31
MW RF Alignment . . . . .	17		

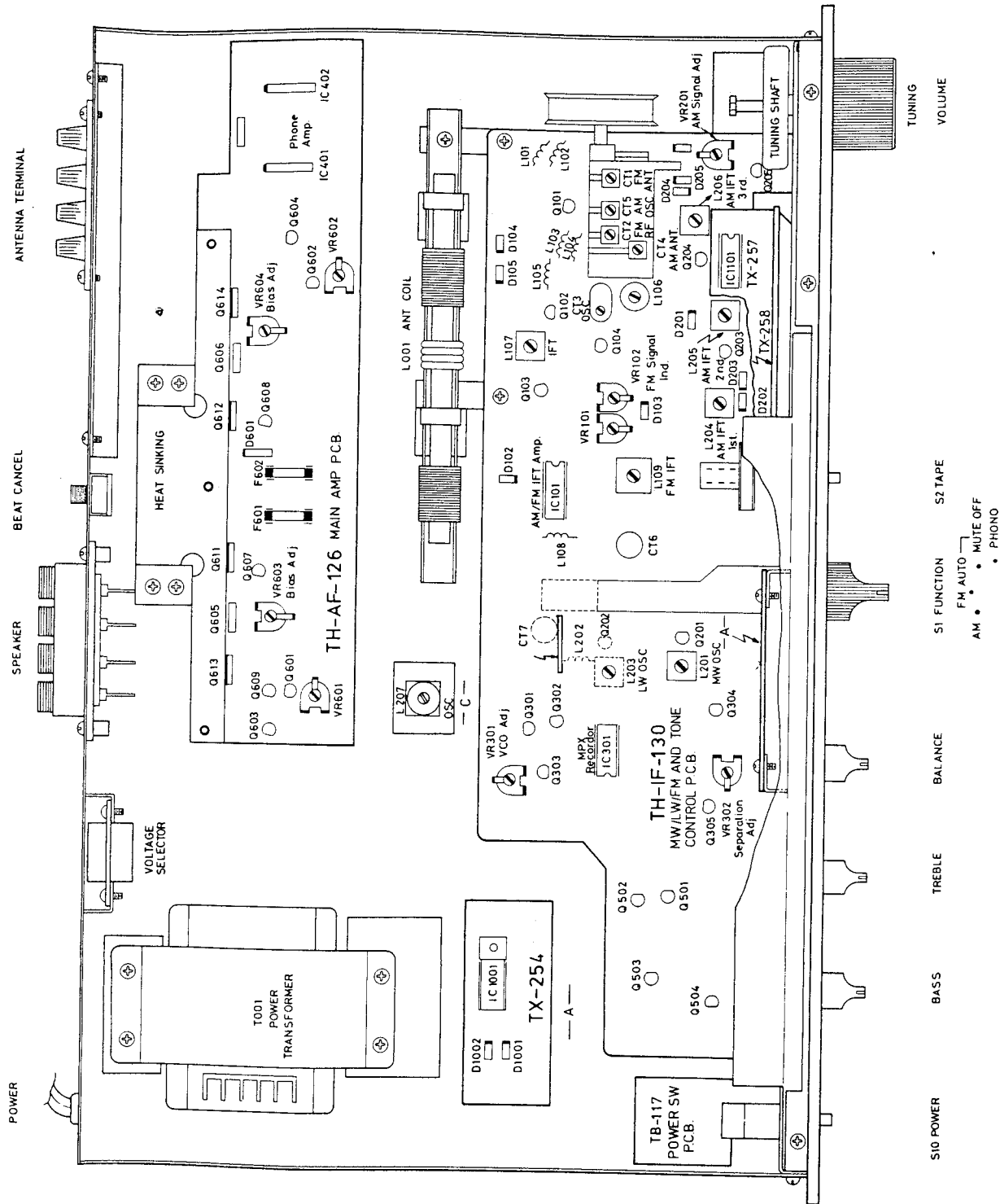
## INHALTSVERZICHMIS

Chassis-Anordnung (1/2) . . . . .	2	LW-HF-Einstellung (SW/MW/LW/UKW nur) . . . . .	21
Chassis-Anordnung (2/2) . . . . .	3	SW-HF-Einstellung (SW/MW/LW/UKW nur) . . . . .	21
Blockschaltbild . . . . .	4	UKW-ZF und HF-Einstellung/Signalstärkeanzeige . . . . .	22
Skalenantriebsschema . . . . .	4	Eichung . . . . .	22
Schaltungsschema . . . . .	5	UKW-MPX-Einstellung . . . . .	22
Drahtleitung Diagramm . . . . .	10	Endverstärker-Vorspannungs-Einstellung . . . . .	22
Illustration des Auseinanderbaus (1/2) . . . . .	13	Wiedergabepegels-Einstellung . . . . .	23
Illustration des Auseinanderbaus (2/2) . . . . .	14	Aufnahmesystems-Einstellung . . . . .	23
MW-ZF und HF-Einstellung/Signalstärkeanzeige . . . . .	21	Aufnahmesystems und Wiedergabepegels-Einstellung . . . . .	24
Eichung MW-ZF-Einstellung . . . . .	21	Spieler Demonpage Schaltschema . . . . .	29
MW-HF-Einstellung . . . . .	21	Reparaturteilliste . . . . .	31

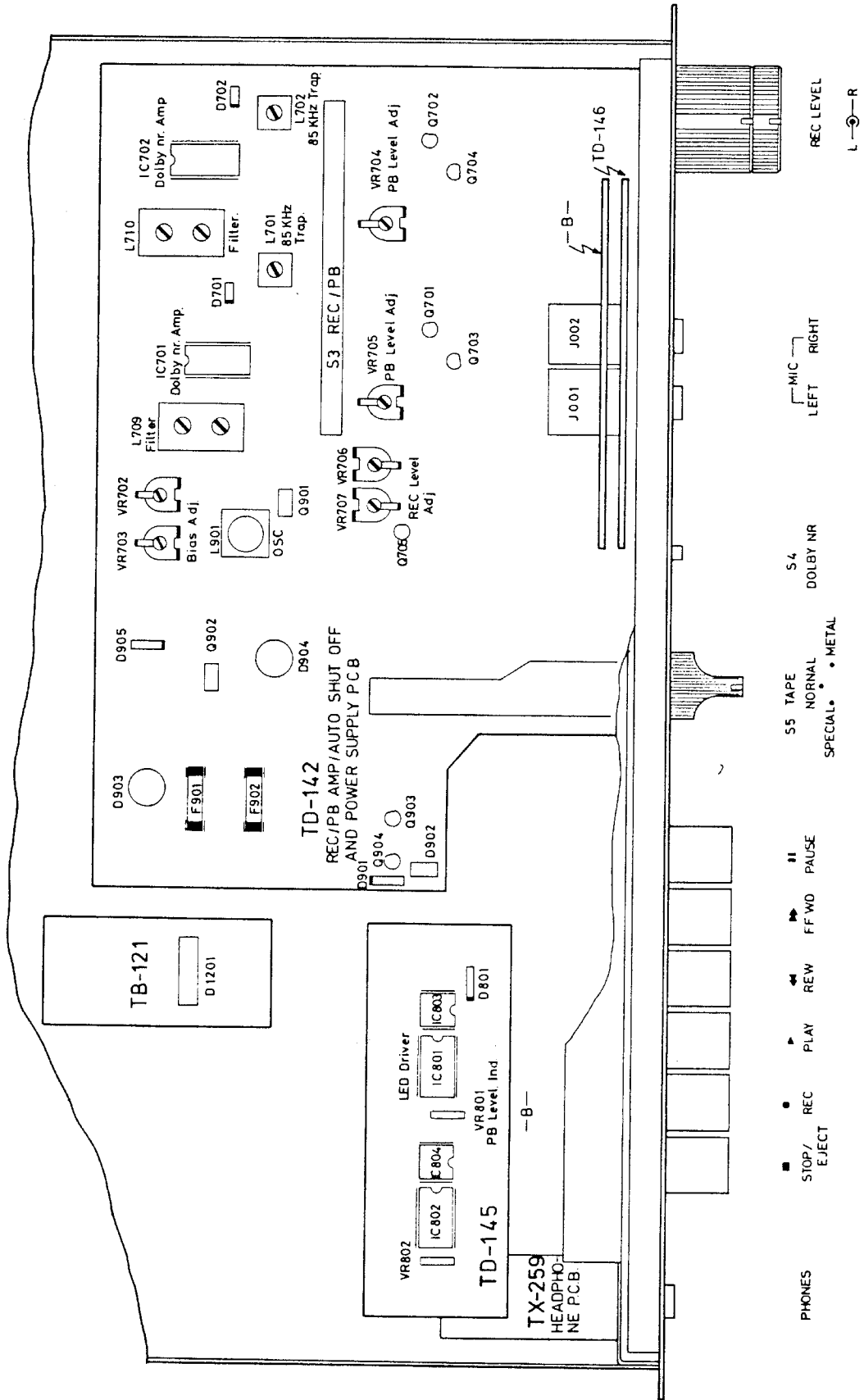
## TABLE DES MATIERES

Installation du Châssis (1/2) . . . . .	2	Alignement SW HF (SW/MW/LW/FM) . . . . .	25
Installation du Châssis (2/2) . . . . .	3	Alignement FM IF et HF/Indicateur de force du signal . . . . .	26
Schéma symoptique . . . . .	4	Alignement FM MPX . . . . .	26
Diagramme des câbles d'entraînement . . . . .	4	Réglage de la polarisation de l'amplificateur de puissance . . . . .	26
Diagramme de schématique . . . . .	5	Réglages de système de la reproduction . . . . .	27
Diagramme de connexion . . . . .	10	Réglages de système de l'enregistrement . . . . .	27
Schéma de démontage (1/2) . . . . .	13	Réglages de système de L'enregistrement/reproduction . . . . .	28
Schéma de démontage (2/2) . . . . .	14	Joueur Démonpage Schéma . . . . .	29
Alignement AM IF et HF/Indicateur de niveau de signal . . . . .	17	Liste des pièces de rechange . . . . .	31
Alignement AM IF . . . . .	17		
Alignement MW HF . . . . .	17		
Alignement LW HF (SW/MW/LW/FM) . . . . .	17		

# Chassis Layout/Chassis-Anordnung/ Installation de Châssis (1/2)



# Chassis Layout / Chassis-Anordnung / Installation de Châssis (2/2)



# Block Diagram/Blockschaltbild/ Schéma synoptique

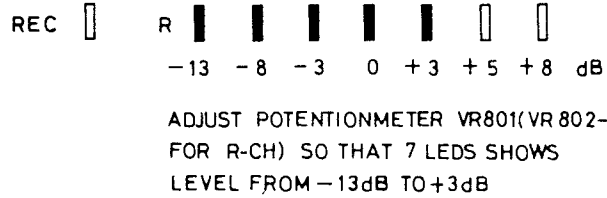
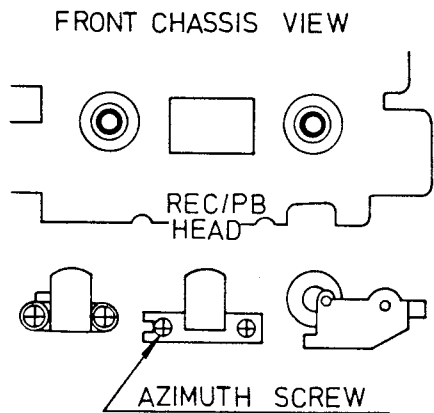
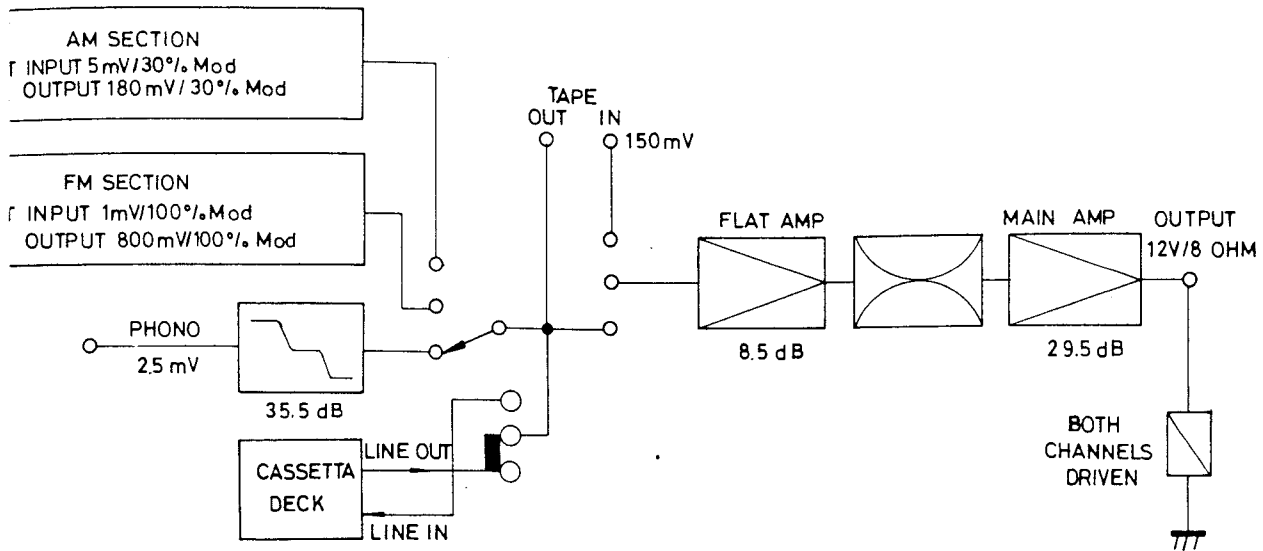


Fig. 2 Dolby Level Adjustment  
Abb. 2 Einstellung der Dolby-Regel.  
Fig. 2 Réglage du niveau Dolby

ADJUST AZIMUTH SCREW TO OBTAIN  
MAXIMUM DEFLECTION ON SCOPE

Fig. 1 Azimuth Adjustment  
Abb. 1 Azimuteinstellung  
Fig. 1 Réglage de l'azimut

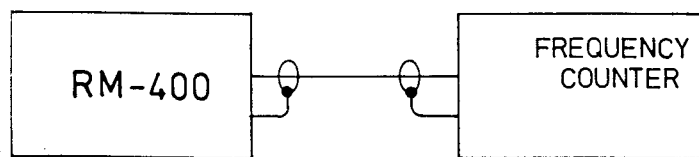
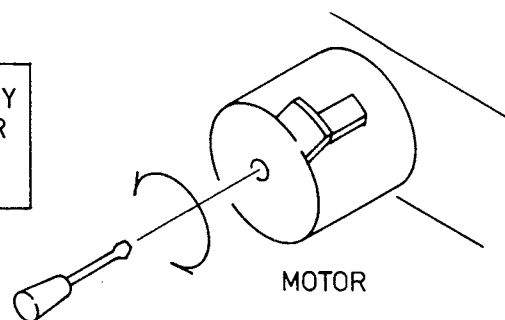
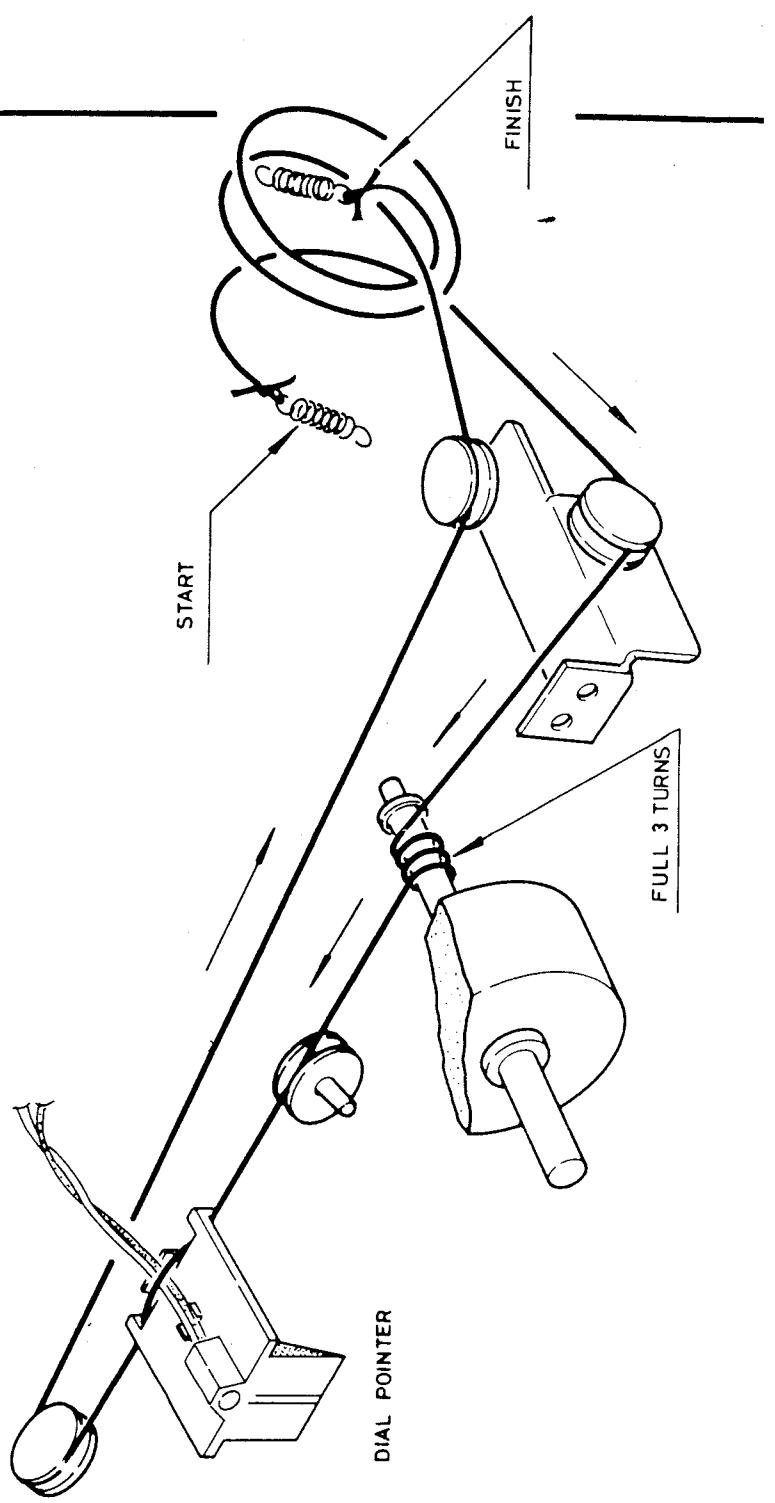


Fig. 3 Tape speed Adjustment  
Abb. 3 Einstellung der Bandgeschwindigkeitabweichung  
Fig. 3 Réglage de la vitesse de défilement de la bande



**Skizzenentwerfen**

## Diagramme des câble d'entraînement

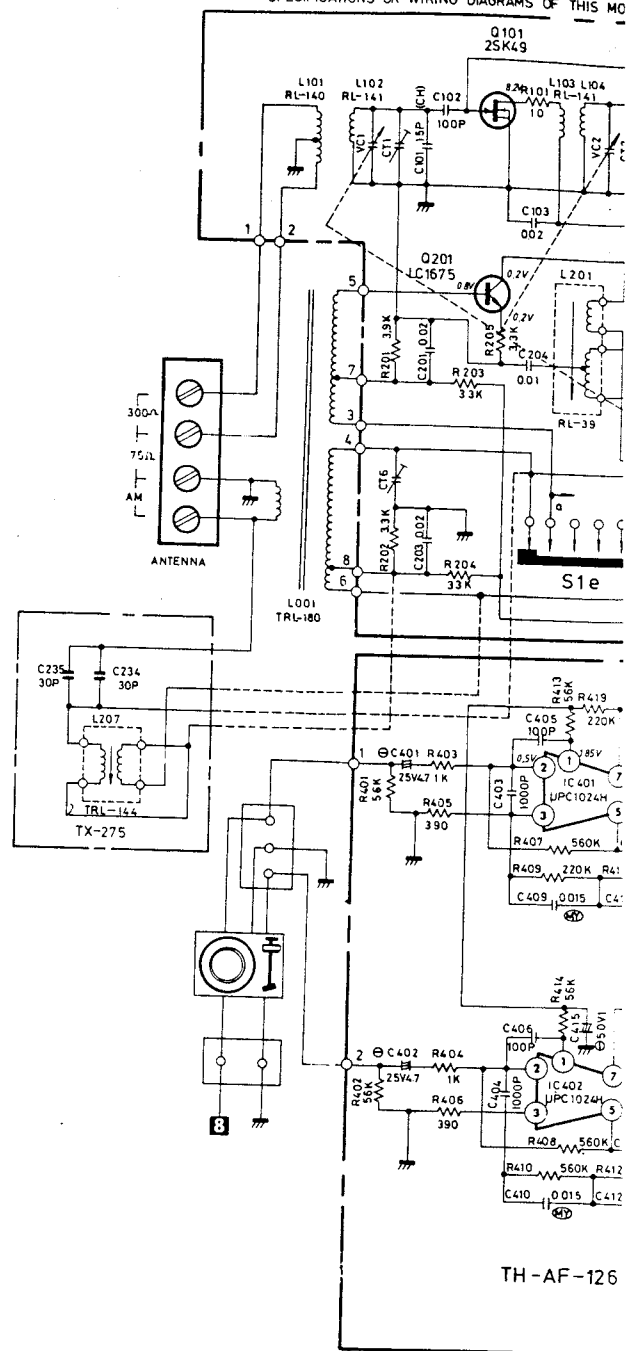


**Note:** Carry out stringing with the front end set at VC maximum.

**Zur Beachtung:** Antriebsseil mit dem Drehko der Eingangs Stufe in Maximumstellung verlegen.

**Note:** Effectuer le câblage avec le condensateur réglable de l'entrée réglé au maximum.

• SPECIFICATIONS OR WIRING DIAGRAMS OF THIS MO



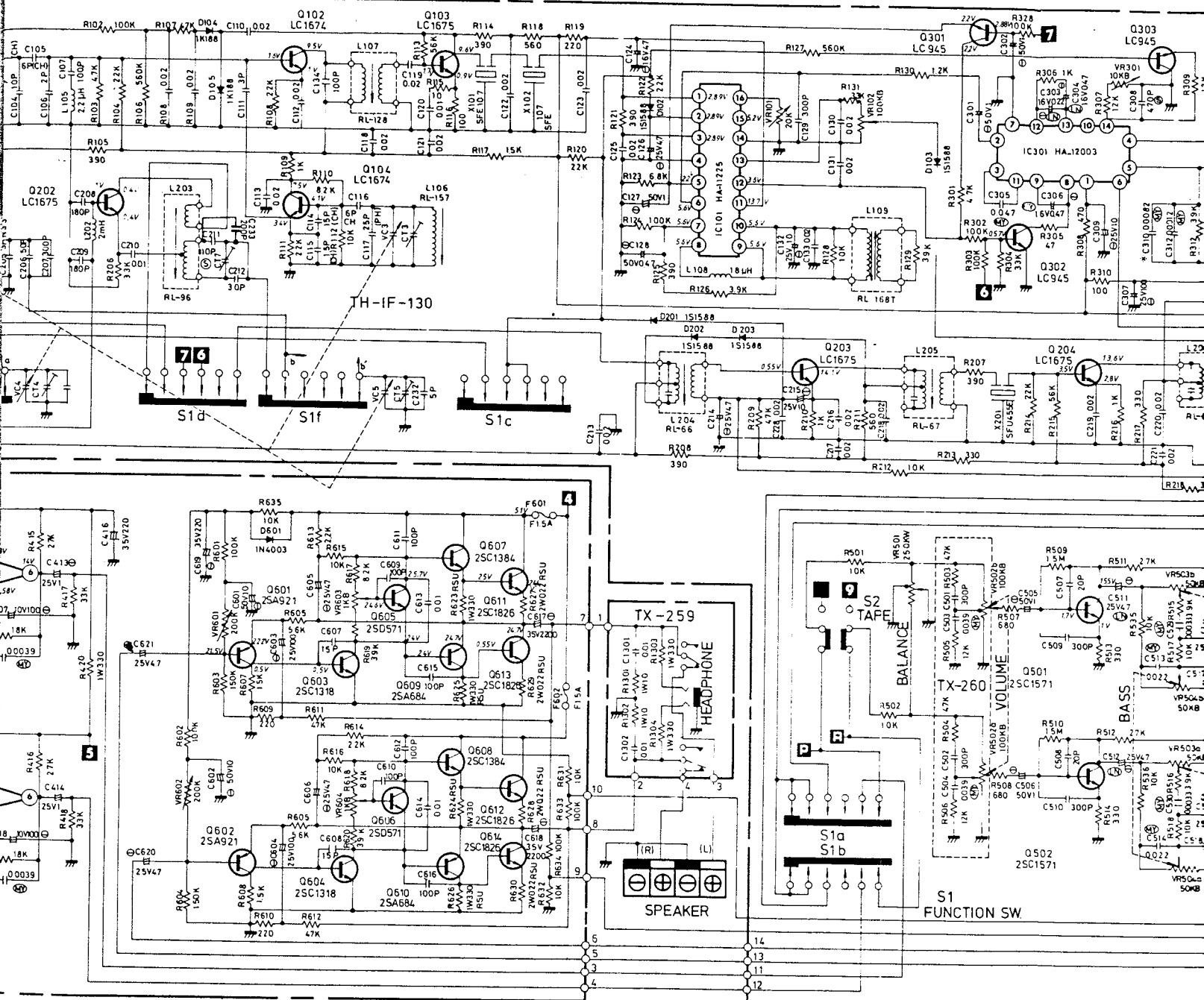
- (SW / MW / FM ONLY)
- 1 CHANGED ANT COIL L001 FROM TRL-180 TO TRL 179 AND ADDED P.C.B TX-275
  - 2 CANCELLED C208 209 L202 AND C212
  - 3 SHORTED Q202 BASE TO PIN 6
  - 4 CHANGED C211 110P TO 1500P AND ADDED C232 200P
  - 5 CHANGED L203 FROM RL-96 TO TRL-182
  - 6 CHANGED Q202 FROM 25C1675 TO 25C1674

THE SCHEMATIC DIAGRAM IS AVAILABLE OF MW / LW / FM UNITS ONLY WHEN UNIT JUST AM / FM ONLY THERE WERE MADE MODIFICATIONS AS FOLLING

- 1 CHANGED ANTENNA COIL L001 FROM TRL-18
- 2 CANCELLED SWITCHES S11 S1e
- 3 SHORTED a AND b AND b
- 4 CANCELLED RESISTORS R202 204 AND 206 CAPACITORS C202 203 208 209 210 AND 21 CAPACITORS C202 203 208 209 210 AND 21 COILS L202 203 TRANSISTOR Q202 TRIMER CT6 AND CT7
- 5 CANCELLED P.C.B TX-275

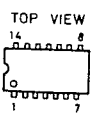
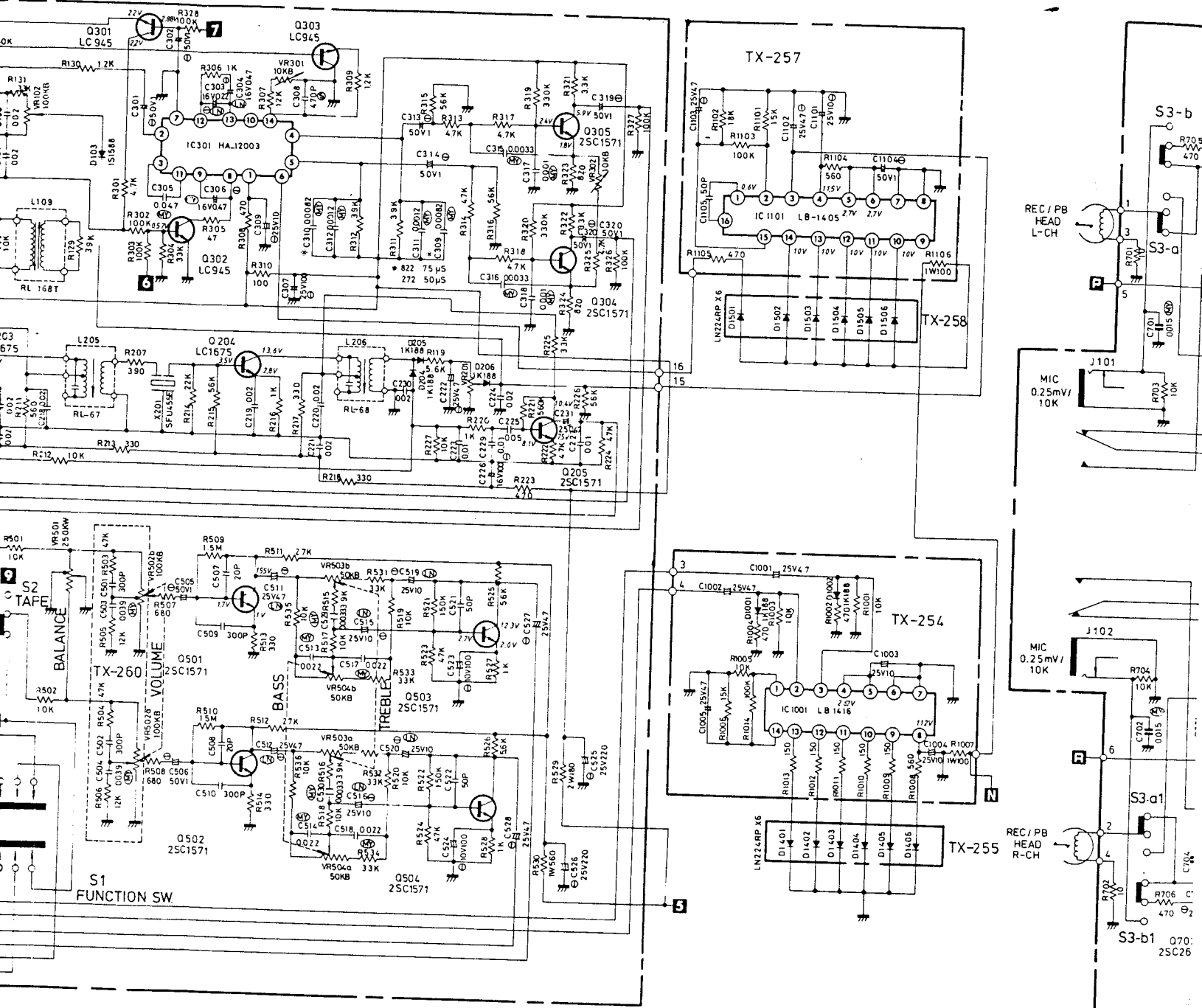
# Schematic Diagram/Schaltungsschema/Diagramm

ARE SUBJECT TO CHANGE FOR THE IMPROVEMENT WITHOUT PRIOR NOTICE

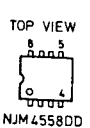


- COMBINATION  
COMBINE  
SOME
- TO TRL-179
- 212 920 1204 232
- RESISTORS**  
5% TOLERANCE UNLESS OTHERWISE NOTED  
K---KILO OHM  
M---MEGA OHM  
---COMPOSITION RESISTORS 1/2 WATT  
RSU METAL OXIDE FILM RESISTORS  
NON MARK LOW NOISE TYPE CARBON RESISTORS
- CAPACITORS**  
Ⓛ---LOW NOISE ELECTROLYTIC CAPACITORS  
Ⓜ---MYLAR FILM CAPACITORS  
Ⓟ---POLYSTYRENE FILM CAPACITORS  
Ⓡ---TANTALUM CAPACITORS  
Ⓢ---ELECTROLYTIC CAPACITORS  
NON MARK CERAMIC CAPACITORS  
UNLESS OTHERWISE NOTED IN SCHEMATIC ALL CAPACITANCE VALUES ARE EXPRESSED IN MFD
- TOP VIEW**  
15 9  
1 8  
HA-11225
- TOP VIEW**  
14 8  
1 7  
LB-1416  
LB-1405  
HA-12003  
TA-7654P  
NE-646B
- TOP VIEW**  
8 5  
1 6  
NUM4558DD

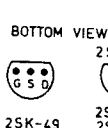
# Schema / Diagramme schématique



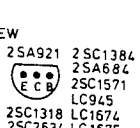
LB-1416  
LB-1405  
HA-12003  
TA-7654P  
NE-646B



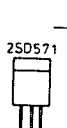
NJM4558DD



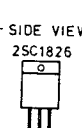
25K-49



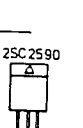
25A921 25C1384  
25A684  
25C1571  
LC945  
25C1318 LC1674  
25C2634 LC1675



25D571  
ECB



25C1826  
BCE

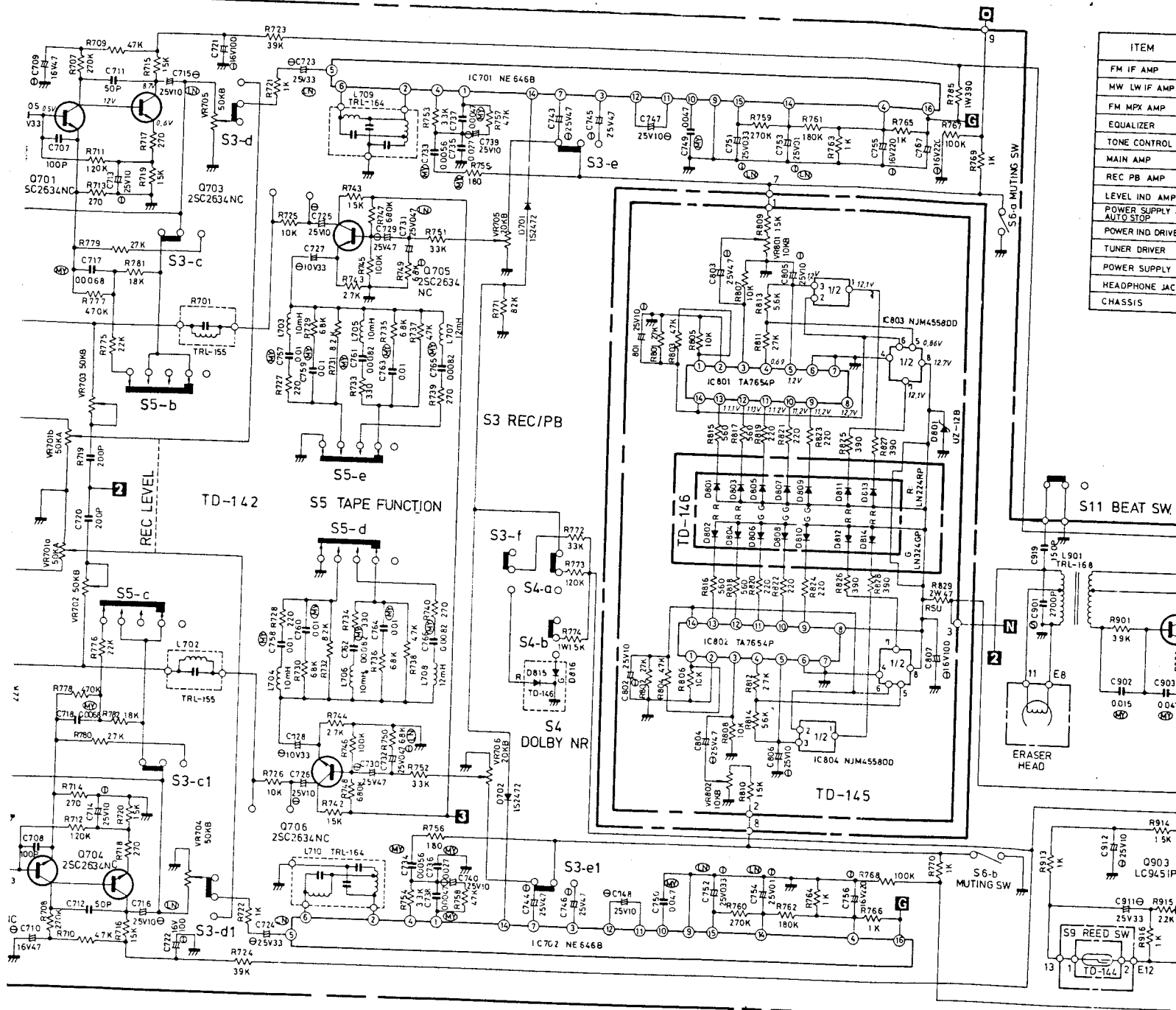


25C2590  
BCE



µPC 1024H

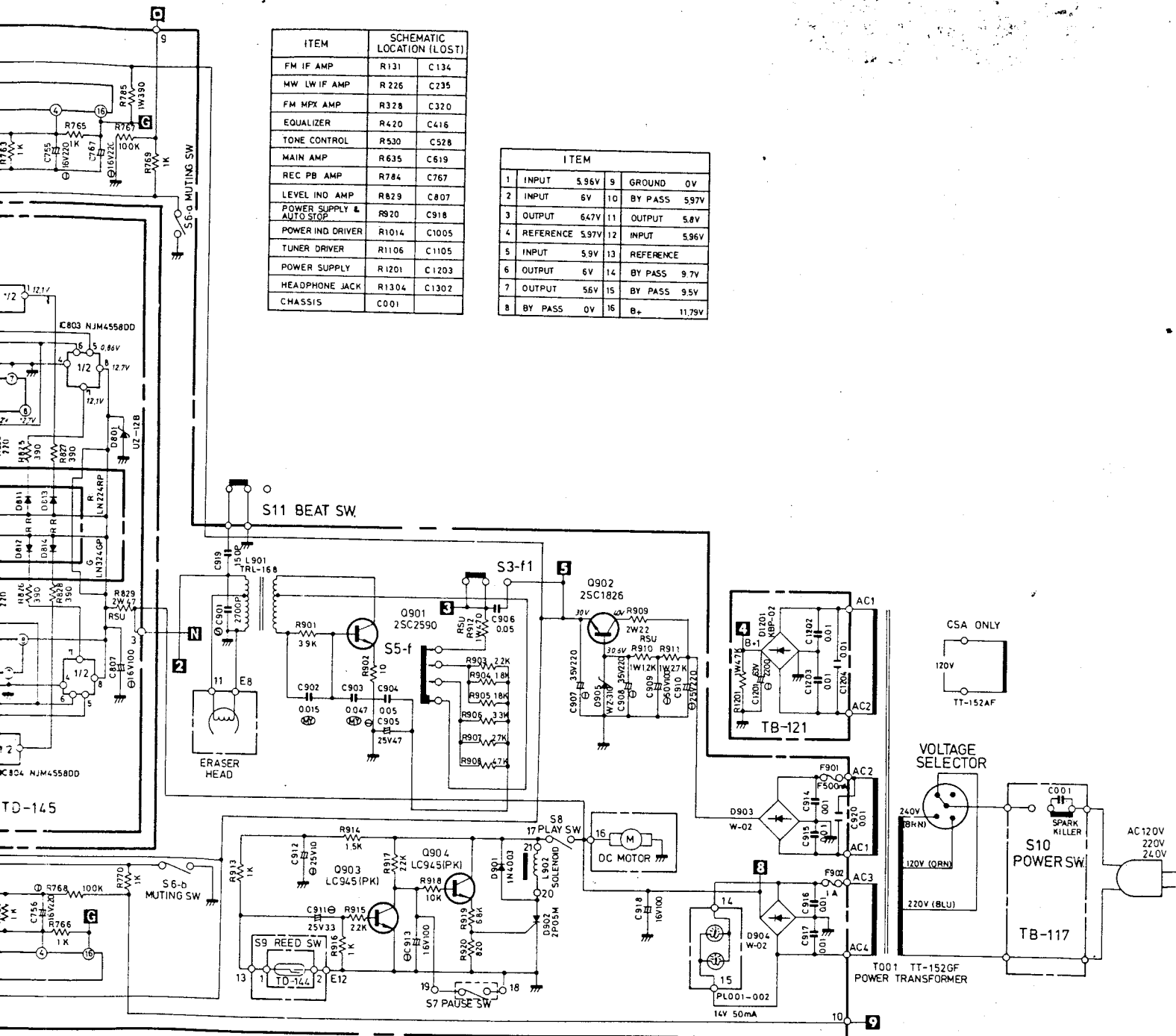


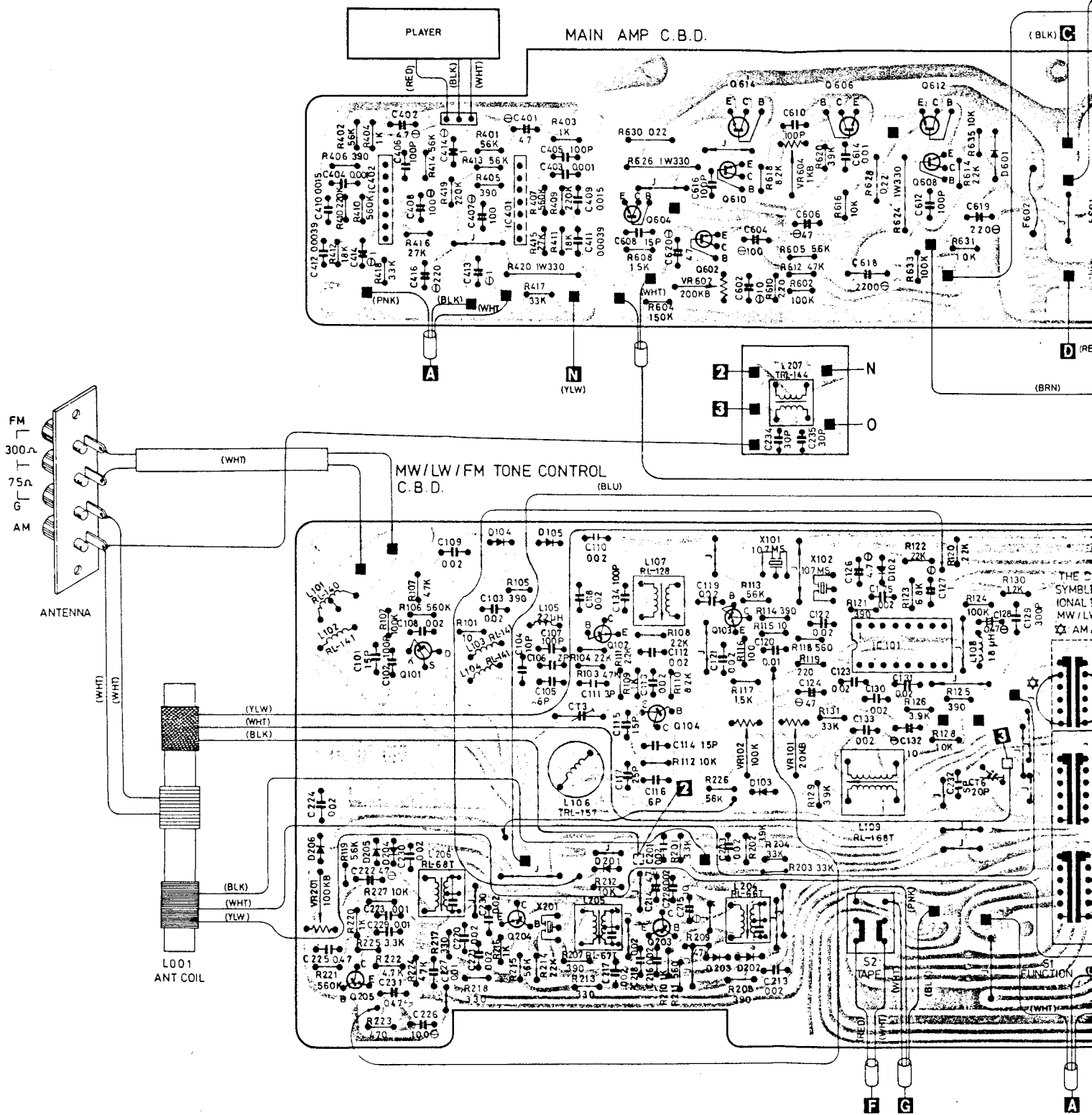


ITEM
FM IF AMP
MW LW IF AMP
FM MPX AMP
EQUALIZER
TOPE CONTROL
MAIN AMP
REC PB AMP
LEVEL IND AMP
POWER SUPPLY & AUTO STOP
POWER IN DRIVER
TUNER DRIVER
POWER SUPPLY
HEADPHONE JACK
CHASSIS

ITEM	SCHEMATIC LOCATION (LOST)	
FM IF AMP	R131	C134
MW LW IF AMP	R226	C235
FM MPX AMP	R328	C320
EQUALIZER	R420	C416
tone CONTROL	R530	C528
MAIN AMP	R635	C619
REC PB AMP	R784	C767
LEVEL IN AMP	R829	C807
POWER SUPPLY & AUTO STOP	R920	C918
POWER IND DRIVER	R1014	C1005
TUNER DRIVER	R1106	C1105
POWER SUPPLY	R1201	C1203
HEADPHONE JACK	R1304	C1302
CHASSIS	C001	

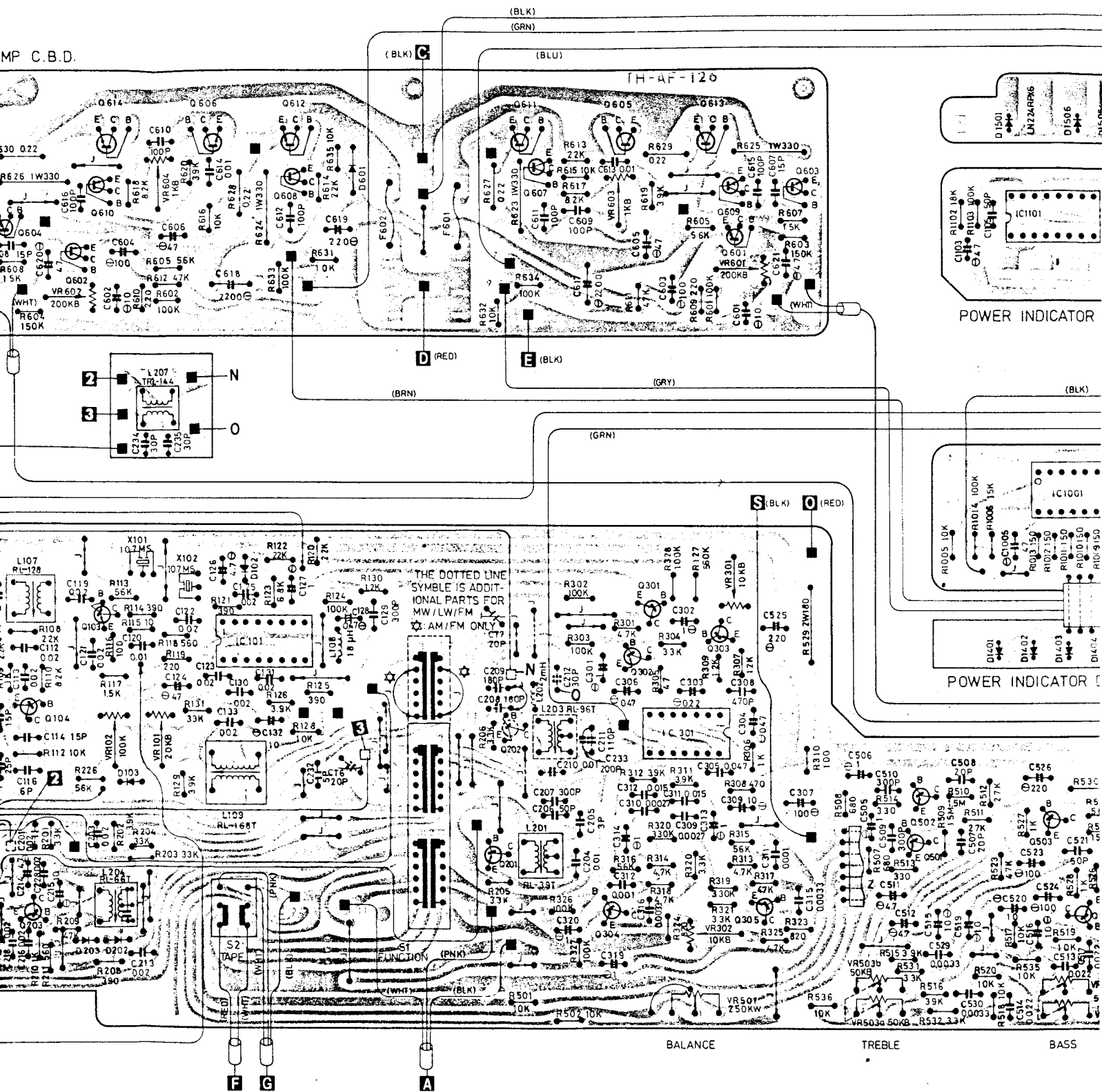
ITEM					
1	INPUT	5.96V	9	GROUND	0V
2	INPUT	6V	10	BY PASS	5.97V
3	OUTPUT	647V	11	OUTPUT	5.8V
4	REFERENCE	5.97V	12	INPUT	5.96V
5	INPUT	5.9V	13	REFERENCE	
6	OUTPUT	6V	14	BY PASS	9.7V
7	OUTPUT	56V	15	BY PASS	9.5V
8	BY PASS	0V	16	B+	11.79V





# Wiring Diagram/Drahtleitung Diagramm/Diagramma

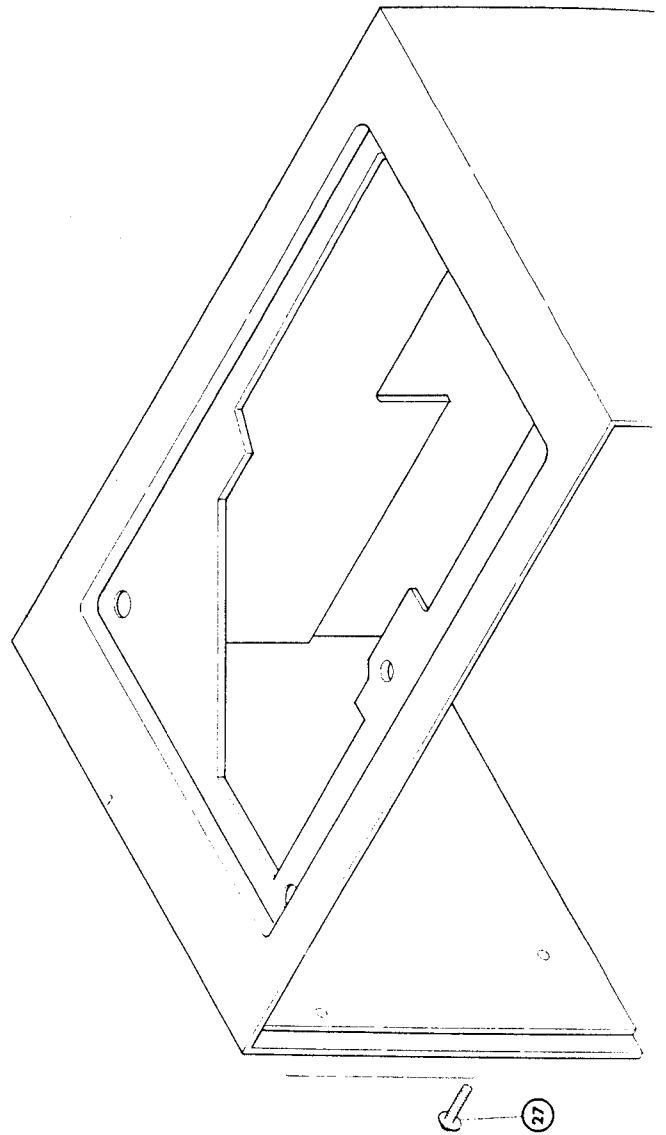
MP C.B.D.



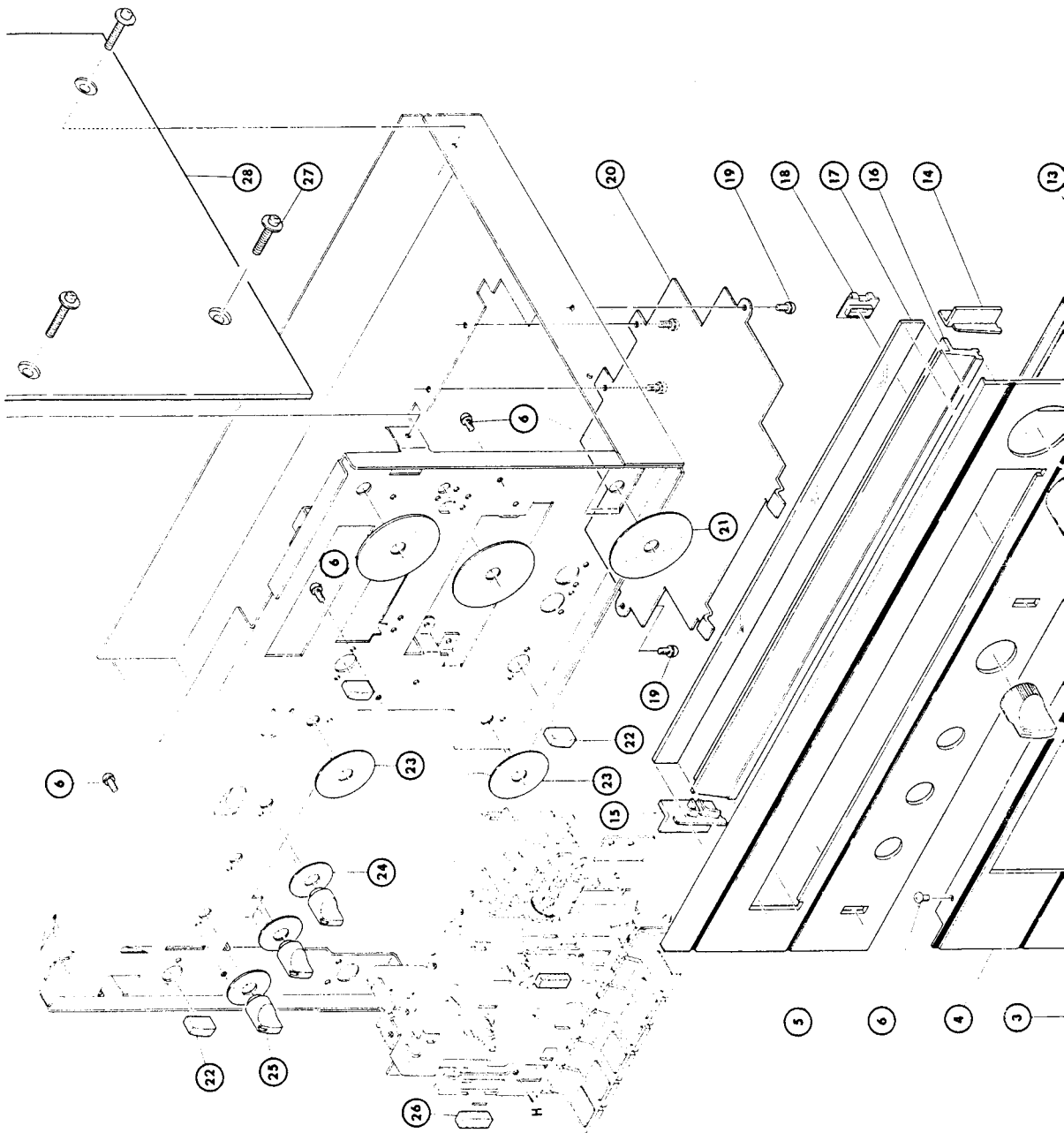




— Disassembly Diagram /II

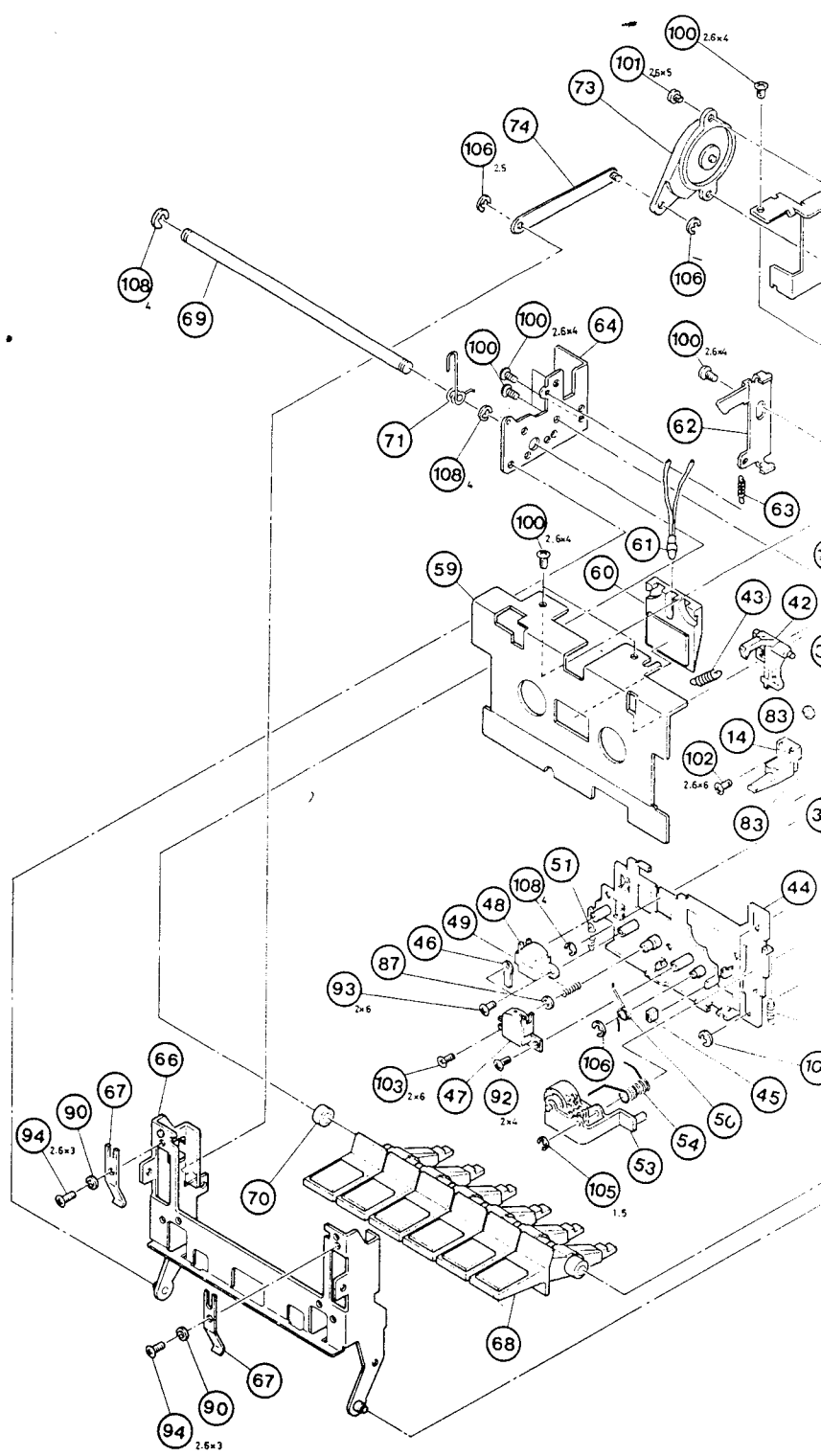
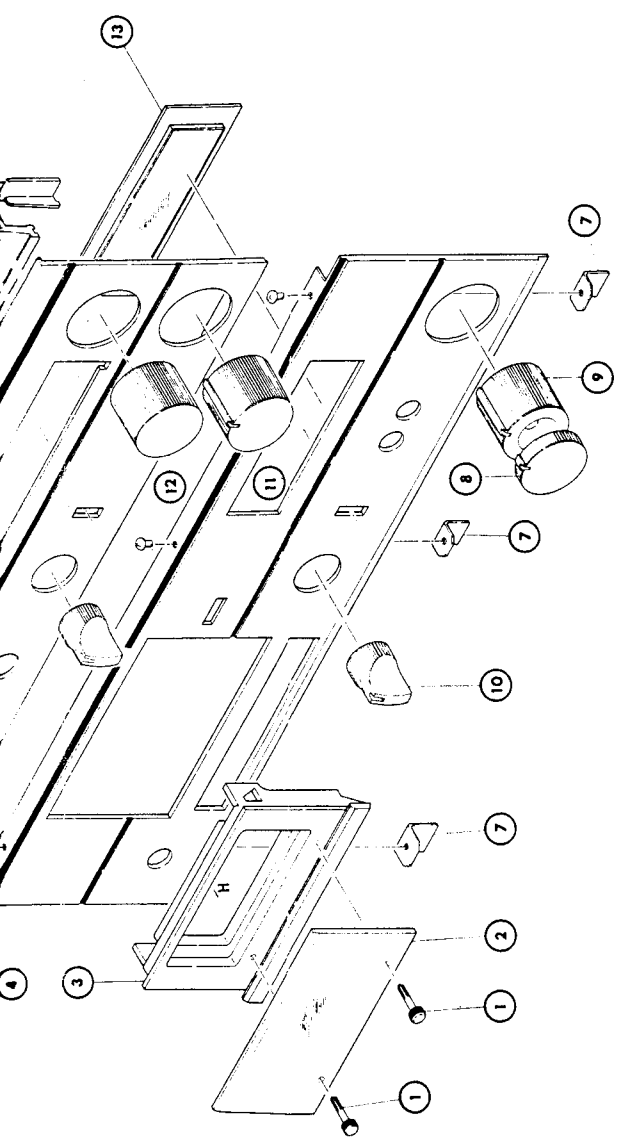


# ustration des Auseinanderbaus/ Schéma de d



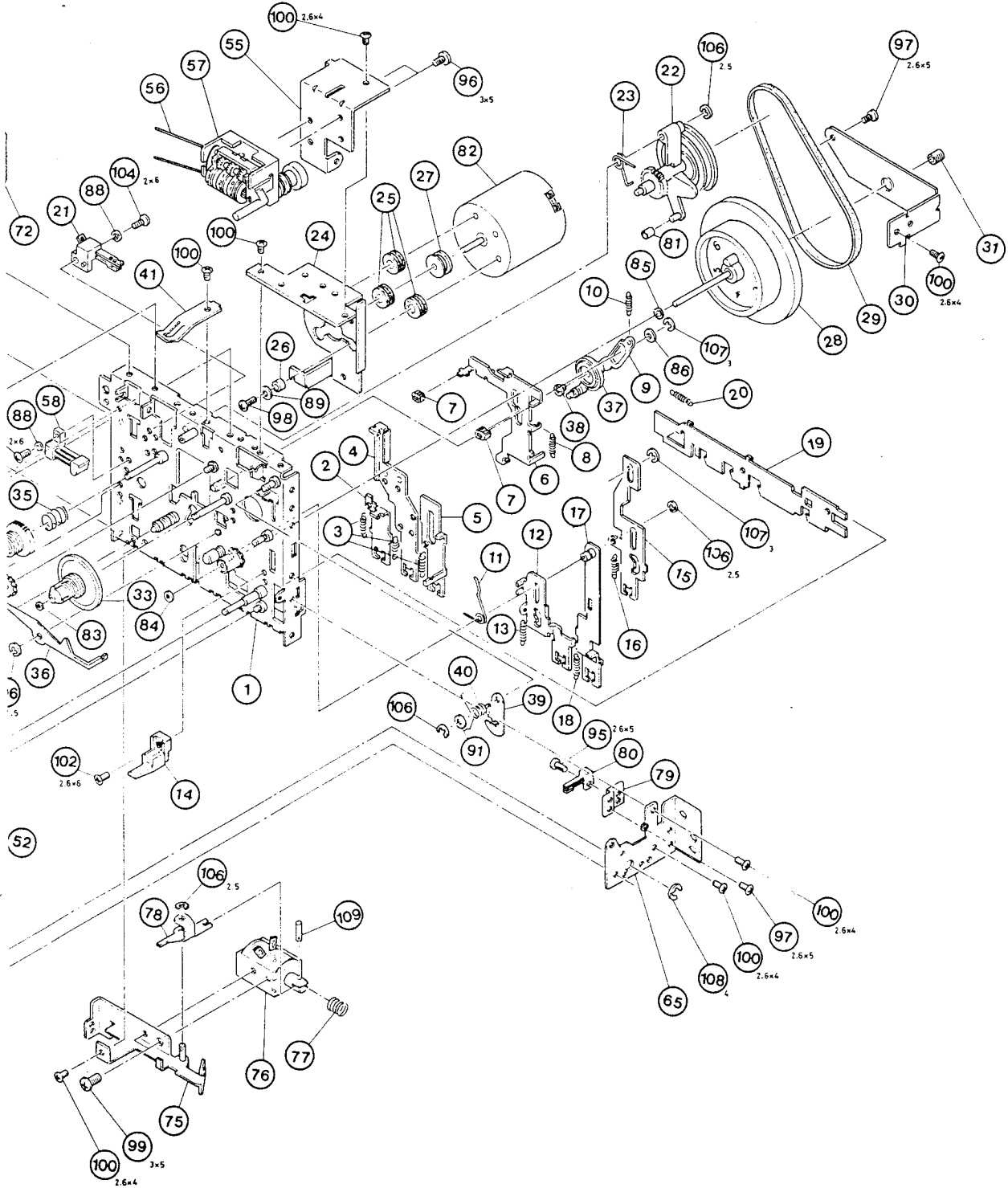
Key No.	Parts No.	Description	Key No.	Parts No.	Description
1	770911233	Ornamental Screw	14	114902359	Dial Board Holder
2	114902398	Acrylic/Door Plate	15	114902358	Dial Board Holder
3	114902325	Tape Holder Cover	16	112011400	Dial Board (FM/MW)
4	111911600	Front Panel (Deck)		112011401	Dial Board (MW/LW)
5	111911603	Front Panel (FM/MW)		112011403	Dial Board (MW/SW)
6	111911604	Front Panel (FM/MW/LW)	17	114902397	Dial Window
	111911618	Front Panel (MW/SW/FM)	18	114902318	Frame, Push Button
7	705213006	Screw, + M3 x 6 MV	19	725213006	Screw, + M 3 x 6 T
7	120013101	Support, Front Panel	20	120013103	Bottom Cover
8	116310353	Knob, 33φ/for REC Level (WL)	21	990201330	Felt, 33φ
9	116310352	Knob, 33φ/for REC Level (WR)	22	116210073	Push Button (for D
10	116310335	Knob, 20φ (for Function, Tape)	23	990201329	Felt, 20φ
11	116310351	Knob, 33φ (for Volume)	24	990201328	Felt, 13φ
12	116310350	Knob, 33φ (for tuning)	25	116310304	Knob, 13φ (for Bas
13	114902396	Panel Window	26	990201336	Sponge
			27	715224015	Screw, +M 4 x 15 B
			28	131011382	Cabinet (BEAB)
				131011381	Cabinet





- Description
- Board Holder (R)
  - Board Holder (L)
  - Board (FM/MW)
  - Board (MW/LW/FM)
  - Board (MW/SW/FM)
  - Window
  - Push Button
  - Push Button, + M 3 x 6 TPV
  - Front Cover
  - 33φ
  - Button (for Dolby NR/Power/Tape)
  - 20φ
  - 13φ
  - Button, 13φ (for Bass/Treble/Balance)
  - Knob, +M 4 x 15 BK
  - Bracket (BEAB)
  - Bracket

# Disassembly Diagram / Illustration des Ausbaus



# rbaus/Schéma de démontage (2/2)

Key No.	Parts No.	Description	Key No.	Parts No.	Description
1	090221101	Ass'y, Chassis	58	615212287	Switch, Leaf
2	090221102	Ass'y, Eject Lever	59	090221121	Cover, Dust
3	090226151	Spring, Lever (B)	60	090221122	Light Body, Pilot Lamp
4	090221103	Lever, REC	61	350120006	Pilot Lamp
5	090221104	Lever, Play	62	090221123	Lever (C), Eject
6	090221105	Lever, Brake	63	090226182	Spring (B), Eject Lever
7	090226152	Pad, Brake	64	090221124	Bracket (L), Push Button
8	090226153	Spring, Brake	65	090221125	Bracket (R), Push Button
9	090221106	Arm, Play Idler	66	090221126	Ass'y Cassette Door
10	090226154	Spring, Idler Arm	67	090226182	Spring, Cassette Door
11	090226155	Spring, FF. Tension	68	116210075	Lever, Button
12	090221107	Lever, FF.	69	090226183	Shaft (B), Button
13	090226156	Spring, FF. Lever	70	090227204	Bush, Button
14	090221108	Guide, Cassette	71	090226184	Spring, Cassette Door Up
15	090221109	Lever, REW	72	090221127	Bracket, Damper
16	090226157	Spring, REW Lever	73	090221128	Ass'y, Damper
17	090221110	Ass'y, Pause Lever	74	090221129	Ass'y, Link Door
18	090226158	Spring, Pause Lever	75	090221130	Bracket, Solenoid
19	090221111	Cam Plate (C)	76	240111249	Ass'y, Coil Solenoid
20	090226159	Spring, Cam Plate	77	090226185	Spring, Solenoid
21	615212286	Switch, Leaf	78	090221131	Lever, Auto Stop
22	090221112	Ass'y, Arm Pulley	79	090221132	Bracket, Leaf Switch
23	090226160	Spring, Arm Pulley	80	615212288	Switch, Leaf
24	090221113	Holder (B), Motor	81	090227205	Pad, Brake
25	090226161	Cushion, Motor	82	260101130	Ass'y, DC Motor
26	090227201	Ring, Motor	83	770500079	Washer, PS 1.6 <sup>φ</sup> x3.5 <sup>φ</sup> x0.25 <sup>t</sup>
27	090226162	Pulley, Motor	84	090227206	Washer, Oil Shield
28	090226163	Flywheel (B)	85	770500080	Washer PS 2.1 <sup>φ</sup> x4 <sup>φ</sup> x0.25 <sup>t</sup>
29	090226164	Belt, Drive	86	090227207	Washer, 4.1 <sup>φ</sup> x8 <sup>φ</sup> x0.25 <sup>t</sup>
30	090221114	Bracket, Flywheel	87	090227208	Washer (L), 2 <sup>φ</sup>
31	090227202	Screw, Flywheel and Capstan	88	090227209	Washer (S), 2 <sup>φ</sup>
32	090226165	Idler, FF.	89	090227210	Washer (L), 2.6 <sup>φ</sup>
33	090226166	Ass'y, Reel Take Up	90	090227211	Washer (S), 2.6 <sup>φ</sup>
34	090226167	Ass'y, Reel Supply	91	090227212	Washer (L), 3 <sup>φ</sup>
35	090226168	Spring, Back Tension	92	703202004	Screw, +M2x4 Pan Head
36	090221115	Arm, Pause	93	703202006	Screw, +M2x6 Pan Head
37	090226169	Idler, Play	94	703222603	Screw, +M2.6x3 Pan Head BLK
38	090226170	Bush, Idler	95	703202605	Screw, +M2.6x5 Pan Head
39	090221116	Cam, Pause	96	703203005	Screw, +M3x5 Pan Head
40	090226171	Spring, Pause Cam	97	713202605	Screw, +M2.6x5 W/SP W
41	090226172	Spring, Pack Clamp	98	713202608	Screw, +M2.6x8 W/SP W
42	090221117	Arm, REC Sensor	99	713203005	Screw, +M3x5 W/SP W
43	090226173	Spring, REC Sensor Arm	100	763202604	Screw, +M2.6x4 Tap Tite
44	090221118	Ass'y, Sub Chassis and Studs	101	763202606	Screw, +M2.6x6 Tap Tite
45	090226174	Spacer, Sub Chassis	102	763202608	Screw, +M2.6x8 Tap Tite
46	090227203	Clamp, Cord	103	705002006	Screw, -M2x6 Bind
47	241001124	REC/PB Head	104	723202006	Screw, +M3x5 Tpg
48	241001123	Erase Head	105	770500026	E Ring, 1.5 <sup>φ</sup>
49	090226175	Spring, Azimuth	106	770500027	E Ring, 2.5 <sup>φ</sup>
50	090226176	Spring, Panel Tension	107	770500039	E Ring, 3 <sup>φ</sup>
51	090226177	Spring (L), Panel	108	770500040	E Ring, 4 <sup>φ</sup>
52	090226178	Spring (R), Panel	109	090227215	Spring Pin, 2 <sup>φ</sup> x10
✓ 53	090221119	Ass'y, Arm Pinch Roller			
54	090226179	Spring, Pinch Roller			
55	090221120	Bracket, Counter			
56	090226180	Belt, Counter			
57	650901118	Tape Counter			

# AM IF and RF Alignment/ Signal Indicator Calibration

Instruments: AM Signal Generator (400Hz 30% Modulated), AC VTVM and Oscilloscope.

## AM IF Alignment (AM/FM, SW/MW/LW/FM)

Step	Generator		Tuning Dial setting	Adjust	Adjust for
	Coupling	Frequency			
1	Pin No. 5 (on IF board through a 0.01 mfd Capacitor	455KHz	No interfering at low end of scale	L204, L205 and L206 (on IF board)	Maximum reading on AC VTVM.

## MW RF Alignment (AM/FM, SW/MW/LW/FM)

Step	Generator		Tuning Dial setting	Adjust	Adjust for
	Coupling	Frequency			
1	Test Loop Radiate signal into ferrite loop-stick antenna.	600KHz	600KHz	L201 (OSC) and L001 (ANT) lead line side	Maximum reading on AC VTVM.
2		1400KHz	1400KHz	CT5 (OSC) and CT4 (ANT)	
3	(Input 100mV)	1000KHz	1000KHz	VR201	5 LEDs just light up. (Signal strength indicator.)

## LW RF Alignment (SW/MW/LW/FM only)

Step	Generator		Tuning Dial setting	Adjust	Adjust for
	Coupling	Frequency			
1	Test Loop Radiate Signal into ferrite loop-stick antenna.	160KHz	160KHz	L203 (OSC) and L001 (ANT) against the lead line side	Maximum reading on AC VTVM.
2		330KHz	330KHz	CT7 (OSC) and CT6 (ANT)	

## SW RF Alignment (SW/MW/LW/FM only)

Step	Generator		Tuning Dial setting	Adjust	Adjust for
	Coupling	Frequency			
1	Antenna terminal	4MHz	4MHz	L203 (OSC) and CT4 (ANT)	Maximum reading on AC VTVM.
2		12MHz	12MHz	L207 (ANT) and CT6 (ANT)	

# FM IF and RF Alignment / Tuning and Signal Indicator Calibration

Instruments: FM Signal Generator (400Hz, 100% Modulated), H.D. Analyzer Oscilloscope, AC VTUM and Tuning Meter.

Adjust for  
Maximum reading on AC VTVM.

Adjust for  
Maximum reading on AC VTVM.  
5 LEDs just light up. (Signal strength indicator.)

Step	Generator		Tuning Dial setting	Adjust	Adjust for
	Coupling	Frequency			
1	Antenna terminal	90MHz	90MHz	L106 (OSC)	Maximum reading on AC VTUM.
2		106MHz	106MHz	CT3 (OSC)	
3	Repeat steps 1 and 2 until no further improvement is noticed.				
4	Antenna terminal	90MHz	90MHz	L101, L102, L103 and L104 (RF)	Maximum reading on AC VTUM.
5		106MHz	106MHz	CT1 (ANT) and CT2 (RF)	
6		98MHz	98MHz	L106 (OSC)	
7	Repeat steps 4 and 5 until further improvement is noticed.				
8	Antenna terminal (1mV Input)	98MHz	98MHz	L109 (upper core)	Minimum reading on H.D. Analyzer.
9			No interfering	L109 (low core)	Tuning Meter to "Center" position.
10			98MHz	VR102	5 LEDs just light up. (Signal strength indicator)

## FM MPX Alignment

Instruments: FM Stereo Generator, AC VTVM and Oscilloscope.

Adjust for  
Maximum reading on AC VTVM.

Step	Generator		Tuning Dial setting	Adjust	Adjust for
	Coupling	Frequency			
1	Antenna terminal	98MHz Pilot.....10%	98MHz	VR301	Stereo indicator light up.
2		1KHz.....90% Mod.		VR302	best separation
3	Check the stereo indicator can be operated normally when pilot signal is reduce from 10% to 6%.				

## Power Amplifier Bias Adjustment

Instruments: DC milli-voltmeter

Notes: Prior to Bias Adjustment, run about 5 minutes with rated output (8 ohm) and warm up Power Transistor and Heat Sink. Set Volume Control to Minimum.

Adjust for  
Maximum reading on AC VTVM.

Step	Coupling		Adjust	Adjust for
	Plus Lead	Minus Lead		
1	TP1	TP2	VR601	DC milli-voltmeter reads 4.4mV.
2	TP3	TP4	VR602	

# Playback System Adjustments

Instruments: Oscilloscope, AC VTVM, Frequency Counter and Test Tape

Conditions: Oscilloscope, AC VTVM and Frequency Counter . . . LINE OUT Tape Selector . . . NORMAL Dolby NR . . . OFF

Adjustment Item	Test Tape	Adjust	Adjust for
Azimuth	LCT-3004-C	REC/PB head screw	Obtain largest wave form on Oscilloscope for both channels (Fig. 1)
Dolby Level	LCT-7001	VR705 (L-ch) VR704 (R-ch)	AC VTVM reads 580mV
LED Calibration		VR801 (L-ch) VR802 (R-ch)	The LEDs indicator corresponds with the Dolby amrk (Fig. 2)
Playback EQ Check	LCT-3009-C	Output Level difference between 40Hz, 1KHz and 10KHz signal is within $\pm 3.0\text{dB}$	
Tape Speed Deflection Check/Tape Speed Adjust	LCT-3001	Check that allowable margin of deflection at middle of or at the end of winding is in the range of $+2\% - 1\%$ (at 3000Hz allowable margin of deflection of speed is 3060-2970) If Tape Speed deflection surpasses the above range adjust speed of Motor (Fig. 3)	

# Recording System Adjustments

Instruments: Oscilloscope, Signal Generator AC VTVM and Blank Tape

Conditions: Dolby NR . . . OFF REC Level . . . Maximum

Adjustment Item	Coupling	Tape Selector	Adjust	Adjust for
Bias Carrier	Oscilloscope . . . Point TP1 (TP2 R-ch)	METAL	L701 (L ch) L702 (R-ch)	Obtain Min. deflection on the Oscilloscope
19KHz Filter	S.G. (400Hz OdB) . . . LINE IN/LINE OUT . . . 580mV Changed S.G. to 19KHz Dolby NR . . . ON	MORMAL.	VR709 (L-ch) VR710 (R-ch)	AC VTVM reads -30dB (Minimum)
Bias Voltage	Oscilloscope . . . Point 3 (4 R-ch)	METAL	VR703 (L-ch) VR704 (R-ch)	AC VTVM reads 6mV

# REC/PB System Adjustments

Instruments: Signal Generator, H.D. Analyzer and Blank Tape

Conditions: Dolby NR . . . OFF REC Level . . . Maximum PLAY, REC, PAUSE . . . ON

Dolby NR . . . OFF

Adjust for
on Oscilloscope
Responds with
Idle of
1% (at
is 3060-2970)
e

Adjustment	Conditions	Adjust	Adjust for
REC/PB Output Level	S.G. (400Hz OdB) . . . LINE IN/LINE OUT . . . 580mV Release Pause Button and playback it again.	VR705 (L-ch) VR706 (R ch)	Recording and Playback level difference must be within $\pm 1$ dB
Distortion Check	S.G. (400Hz OdB) . . . LINE IN/LINE OUT . . . 580mV H.D. Analyzer . . . LINE OUT Release Pause Button and playback it again.	Check that distortion is within following range. a. METAL Tape..... under 2% b. SPECIAL Tape..... under 4% c. NORMAL Tape..... under 2%	
	If the distortion factor exceeds the above, recheck Bias Current Adjustment.		
Frequency Response Check	METAL Tape insert it	VR703 (L-ch) VR704 (R-ch)	40Hz-125Hz . . . 5dB 125Hz-10KHz . . . 3dB 10KHz-15KHz . . . 5dB
	CrO2 Tape insert it		
	NORMAL Tape insert it		40Hz -125Hz . . . 5dB 125Hz-10KHz . . . 3dB 10KHz-14KHz . . . 5dB

REMARK: (P. 19/20)

TAPE LINE IN: FROM TP. 5 (6).....IN

TAPE LINE OUT: FROM TP. 9 (10).....OUT

Adjust for
Obtain Min. deflection on the Oscilloscope
AC VTVM reads -30dB (Minimum)
AC VTVM reads 6mV

# MW-ZF und HF-Einstellung/ MW-Signalstärkeanzeige-Eichung

Instrumente: Mw-Messender (400Hz 30% moduliert), Wechselstrom-Roehrevoltmeter und Oszillograph.

## MW-ZF Einstellung (MW/UKW, SW/MW/LW/UKW)

Schritt	Messender		Abstimmskalens Einstellung	Abgleich	Abgleich auf
	Anschluss	Frequenz			
1	Steckerstift 5 (auf ZF-leiterplatte ueber 0.01 MF Kondensator)	455KHz	Kine Interferenz am unteren ska- lenende	L204, L205 und L206 (auf ZF- Leiterplatte)	Maximalanzeige am Roehrevoltmeter

## MW-HF Einstellung (MW/UKW, SW/MW/LW/UKW)

Schritt	Messender		Abstimmskalens Einstellung	Abgleich	Abgleich auf
	Anschluss	Frequenz			
1	Mess-Signal mit Schleife in Ferrit antenna einspeisen.	600KHz	600KHz	L201 (OSZ) und L001 (ANT) Lotleine-Seite	Maximalanzeige am Roehrevoltmeter
2		1400KHz	1400KHz	CT5 (OSZ) und CT4 (ANT)	
3	(Antennenkl- ennenspannung 1mV)	1000KHz	1000KHz	VR201	fünf LEDS leuchtet recht auf. (Signalstärkeanzeige)

## LW-HF Einstellung (SW/MW/LW/UKW nur)

Schritt	Messender		Abstimmskalens Einstellung	Abgleich	Abgleich auf
	Anschluss	Frequenz			
1	Mess-Signal mit Schleife in Ferrit antenna einspeisen	160KHz	160KHz	L203 (OSZ) und L001 (ANT) gegen Lotleine- Seite	Maximalanzeige am Roehrevoltmeter
2		330KHz	330KHz	CT7 (OSZ) und CT6 (ANT)	

## SW-HF Einstellung (SW/MW/LW/UKW nur)

Schritt	Messender		Abstimmskalens Einstellung	Abgleich	Abgleich auf
	Anschluss	Frequenz			
1	Antennenkl- emmen anschlie- ssen	4MHz	4MHz	L203 (OSZ) und CT4 (ANT)	Maximalanzeige am Roehrevoltmeter
2		12MHz	12MHz	L207 (ANT) und CT6 (ANT)	



# UKW-ZF und HF-Einstellung/ Signalstärkeanzeige-Eichung

Instrumente: UKW-Messender (400Hz 100% Moduliert), Klirrfaktormesser, Oszillograph, Wechselstrom-Roehrvoltmeter

Abgleich auf  
  
Maximalanzeige am  
Roehrvoltmeter

Schritt	Messender		Abstimmskalens Einstellung	Abgleich	Abgleich auf
	Anschluss	Frequenz			
1	Antennenkl- emmen	90MHz	90MHz	L106 (OSZ)	Maximalanzeige am Roehrvoltmeter
2	anschiessen	106MHz	106MHz	CT3 (OSZ)	
3	Schritt 1 und 2 wiederholen, bis kein weitere Verbesserung eintritt.				
4	Antennekl- emmen ansch- liessen	90MHz	90MHz	L101, L102, L103 and L104 (HF)	Maximalanzeige am Roehrvoltmeter
5		106MHz	106MHz	CT1 (ANT) and CT2 (HF)	
6		98MHz	98MHz	L106 (OSZ)	
7	Schritt 4 und 5 wiederholen, bis kein weitere Verbesserung eintritt.				
8	Antennenkl- emmen ansch- liessen (Antennenkl- emmen ensp- annung 1mV	98MHz	98MHz	L109 (upper core)	Minimalanzeige am Klirrfaktormesser
9			KEINE Inter- ferenz	L109 (low core)	Abstimmzeiger auf "center" stellen.
10			98MHz	VR102	fünf LEDS leuchtet recht auf. (Signalstärkeanzeige)

Abgleich auf  
  
Maximalanzeige am  
Roehrvoltmeter  
  
fünf LEDS leuchtet  
recht auf.  
(Signalstärkeanzeige)

## UKW MPX-Einstellung

Instrumente: UKW-stereo Messender, Roehrvoltmeter und Oszillograph.

Abgleich auf  
  
Maximalanzeige am  
Roehrvoltmeter

Schritt	Messender		Abstimmskalens Einstellung	Abgleich	Abgleich auf
	Anschluss	Frequenz			
1	Antennekl- emmen anschiessen	98MHZ Pilotton.....10%	98MHz	VR301	Stereoanzeige leuchtet auf.
2		1KHz.....90% Moduliert.		VR302	beste Trennung
3	Einwandfreier Stereoanzeigebetrieb muss auch noch gewährleistet sein, wenn der Stereopilotton von 10% auf 6% reduziert wird.				

## Endverstärker-Vorspannung-Einstellung

Instrumente: DC-Gleichstrom-millivoltmeter

Anmerkung: Vor Einstellung der Vorspannung ist das Graet stwa 5 minuten mit nennleistung unter 8 ohm belastung zu betreiben, um die Leistung-stransistoren und Kuehbleche warm werden zu lassen.  
Lautstärke-regeler Volumenkontrolle auf Minimum stellen.

Abgleich auf  
  
Maximalanzeige am  
Roehrvoltmeter

Schritt	Anschluss		Abgleich	Abgleich auf
	Pruefstift	Minuspol		
1	TP1	TP2	VR601	DC-Gleichstrom-millivoltmeter auf 4.4mV einstellen.
2	TP3	TP4	VR602	

# Wiedergabepegels-Einstellung

Instrumente: Oszillograph, Wechselspannungsvoltmeter, Frequenz-Zähler und Test-cassette  
 Bedienung: Oszillograph, Wechselspannungsvoltmeter und Frequenz-Zähler . . . LINE OUT, Bank Wahler . . . NORMAL  
 Dolby NR Taste . . . OFF

Instrumente: NF-C  
 Bedienungen: Dolb  
 PLA

Einstellungsteil	Test-Cassette	Einstellung	Einstellungszweck
Azimut	LCT-3004-C	REC/PB Tonkopfschraube	Maximum-Wellenform auf Oszillograph für beiden Kanäle (Abb. 1) erhalten.
Dolby-Regel	LCT-7001	VR705 (L-K) VR704 (R-K)	Wechselspannungsvoltmeter auf 580mV einstellen.
Zähler-LED		VR801 (L-K) VR802 (R-K)	Der LEDs -Anzeiger auf dem Dolby-Zeichen steht. (Abb. 2)
Prüfung der Wiedergabe "EQ"	LCT-3009-C	Ausgangspegelunterschied zwischen 40Hz, 1KHz und 10KHz darf innerhalb + 3.0dB betragen.	
Überprüfung der Bandgeschwindigkeit /Einstellung der Bandgeschwindigkeitabweichung	LCT-3001	Prüfen, ob' Abweichung von der Sollgeschwindigkeit im Bereich + 2%-1% liegt (bei 3000 Hz zwischen 3060-2970 Hz). Bei grösser Abweichung Motorgeschwindigkeit nachstellen (Abb. 3)	

Einstellung
Aufnahme/ Wiedergabe Ausgangspegel
Prüfen des Klirrfaktors
Prüfen des Frequenzgangs

# Aufnahmesystems-Einstellung

Instrumente: Oszillograph, NF-Generator, Wechselspannungsvoltmeter und Leercassette.  
 Bedienungen: Dolby NR Taste . . . OFF Aufnahmepegelregler . . . Maximum

Einstellungsteil	Kupplung	Band-Wähler	Einstellung	Einstellungszweck
Bias-Trägerstrom	Oszillograph . . . Punkt TP 1 (TP 2 R-K)	METAL	L701 (L-K) L702 (R-K)	Min. Abweichung auf Oszillograph erhalten.
19 KHz Filter	NF-Generator (400Hz OdB) . . . an "LINE IN/LINE OUT . . . 580mV NF-Generator auf 19 KHz. Dolby NR . . . ON	NORMAL	VR709 (L-Ch) VR710 (R-Ch)	Wechselspannungsvoltmeter auf -30dB einstellen. (Minimum)
Vorspannung	Oszillograph . . . Punkt 3 (4 R-K)	METAL	VR703 (L-Ch) VR704 (R-Ch)	Wechselspannungsvoltmeter auf 6mV einstellen.

# Aufnahmesystems-und Wiedergabepegels-Einstellung

Instrumente: NF-Generator, Klirrfaktormessbrücke und Leer-cassette  
 Bedienungen: Dolby NR . . . . OFF. Aufnahmepegel . . . Maximum  
 PLAY, REC, PAUSE Taste . . . . ON

Einstellung	Bedienungen	Einstellen	Einstellungszweck
Aufnahme/ Wiedergabe Ausgangspegel	NF-Generator (400 Hz 0dB) . . . LINE IN/LINE OUT . . . 580mV Pause-Taste freigeben und spielen es rück noch einmal.	VR705 (L-Ch) VR706 (R-Ch)	Die Differenz der Aufnahme und Wiedergabe-Ausgangspegel innerhalb einer Toleranz von $\pm 1$ dB liegen müssen.
Prüfen des Klirrfaktors	NF-Generator (400 Hz 0dB) . . . LINE IN/LINE OUT . . . 580mV Klirrfaktormessbrücke . . . LINE OUT Pause-Taste freigeben und spielen es rück noch einmal	Prüfen ob Klirrfaktor den folgenden Werten entspricht: a. METAL Band . . . unter 2% b. SPECIAL Band . . unter 4% c. NORMAL Band . . unter 2%	
	Wenn der Klirrfaktor die angegebenen Werte übersteigt, dann Vormagnetisierungstrom prüfen.		
Prüfen des Frequenzgangs	METAL Band einschieben	VR703 (L-Ch) VR704 (R-Ch)	40Hz-125Hz . . . 5dB 125Hz-10KHz . . .3dB 10KHz-15KHz . . . 5dB
	CrO2 Band einschieben		
	Normal Band einschieben		40Hz-125Hz . . . 5dB 125Hz-10KHz . . .3dB 10KHz-14KHz . . . 5dB

# Alignement AM IF et HF/ Indicateur de niveau de signal

Instruments: Générateur de signal AM (400Hz 30% modulé) AC VTVM et Oscilloscope.

## ALIGNEMENT AM IF (AM/FM, SW/MW/LW/FM)

Point	Générateur		Ecran d'accord	Réglage	Réglage pour
	Couplage	Fréquence			
1	Brouche No. 5 (Sur IF plaque- tte par l'inter- médiaire d'un condensateur de 0.01 mfd.	455KHz	Non interférence à l'extrémité de l'échelle	L204, L205 et L206 (sur la pla- quette IF)	Lecture maximum sur le voltmètre électronique AC VTVM.

## Alignement MW RF (AM/FM, SW/MW/LW/FM)

Point	Générateur		Ecran d'accord	Réglage	Réglage pour
	Couplage	Fréquence			
1	Boucle de mesure Envoyée le signal sur ferrite à boucle	600KHz	600KHz	L201 (OSC) et L001 (ANT) Côté de ligne de connexion	Lecture maximum sur AC VTVM.
2		1400KHz	1400KHz	CT5 (OSC) et CT4 (ANT)	
3	(absorbé 100mV)	1000KHz	1000KHz	VR201	5 LEDS allument seule- ment. (Indicateur de force du signal)

## Alignement LW RF (SW/MW/LW/FM seulement)

Point	Générateur		Ecran d'accord	Réglage	Réglage pour
	Couplage	Fréquence			
1	Boucle de mesure Envoyée le signal sur ferrite à boucle	160KHz	160KHz	L203 (OSC) et L001 (ANT) contre le côté de ligne de connex- ion	Lecture maximum sur AC VTVM.
2		330KHz	330KHz	CT7 (OSC) et CT6 (ANT)	

## Alignement SW RF (SW/MW/LW/FM seulement)

Point	Générateur		Ecran d'accord	Réglage	Réglage pour
	Couplage	Fréquence			
1	Borne d'antenne	4MHz	4MHz	L203 (OSC) et CT4 (ANT)	Lecture Maximum sur AC VTVM.
2		12MHz	12MHz	L207 (ANT) et CT6 (ANT)	

# Alignement FM IF et HF/ Indicateur de force du signal

Instruments: (400Hz, 100% modulé) Analyseur H.D., Oscilloscope, AC VTVM et Compteur de syntonisation.

Réglage pour  
Lecture maximum sur le  
voltmètre électronique  
AC VTVM.

Réglage pour  
Lecture maximum  
sur AC VTVM.  
5 LEDS allument seule-  
ment. (Indicateur de force  
du signal)

Réglage pour  
Lecture maximum sur  
AC VTVM.

Réglage pour  
Lecture Maximum sur  
AC VTVM.

Point	Générateur		Ecran d'accord	Réglage	Réglage pour
	Couplage	Fréquence			
1	Borne d'antenne	90MHz	90MHz	L106 (OSC)	Lecture maximum sur AC VTVA
2		106MHz	106MHz	CT3 (OSC)	
3	Répéter les points 1 et 2 jusqu'aucun perfectionnement est marqué.				
4	Borne d'antenne	90MHz	90MHz	L101, L102, L103 et L104 (RF)	Lecture maximum sur AC VTVM.
5		106MHz	106MHz	CT1 (ANT) et CT2 (RF)	
6		98MHz	98MHz	L106 (OSC)	
7	Répéter les points 4 et 5 jusqu'aucun perfectionnement est marqué				
8	Borne d'antenne 1mV absorbée	98MHz	98MHz	L109 (Nogan bas)	Lecture maximum sur AC VTVM.
9			non interférence	L109 (Nogan bas)	Lecture de syntonisation à la position "centrale"
10			98MHz	VR102	5 LEDS allument seule- ment (Indicateur de force du signal)

## Alignement FM MPX

Instruments: FM stéréo Générateur, AC VTVM et Oscilloscope.

Point	Générateur		Ecran d'accord	Réglage	Réglage pour
	Couplage	Fréquence			
1	Borne d'antenne	98MHz lampe témoin 10% 1 KHz 90! Mod	98MHz	VR301	Indicateur stéréo allume
2				VR302	Séparation la plus meilleure
3	Eraminer l'indicateur stéréo peut être opéré normalement lorsque le signal de lampe témoin est véduite de 10% à 6%				

## Régtage de la potarisation de l'amplificateur de puissance

Instrument: DC milli-voltmètre

Note: Avant le réglage de la polarisation, passer à peu près 5 minutes avec une proportion de la sortie du courant (8 ohm) et réchauffer le transistor de puissance et le snk.

Mettre le contrôle de l'étendue au minimum.

Point	Couplage		Réglage	Réglage pour
	Positif	Moins		
1	TP1	TP2	VR601	DC-millivoltmeter lit 4.4mV.
2	TP3	TP4	VR602	

# — Réglages de système de la reproduction —

Instruments: Oscilloscope, Voltmètre électronique à courant alternatif, Analyseur de fréquence et bande d'essai.  
 Conditions: Oscilloscope, Voltmètre électronique à courant alternatif et analyseur de fréquence . . . LINE OUT  
 selecteur de bande . . . NORMAL      Dolby NR . . . OFF

Item de réglage	Bande d'essai	Régler	Régler pour
Azimut	LCT-3004-C	Vis de tête de Enregistrement/reproduction	Obtenir forme d'onde la plus grande sur l'oscilloscope pour les deux canaux (fig. 1)
Niveau de Dolby	LCT-7001	VR705 (canal gauche) VR704 (canal droit)	Le voltmètre électronique à courant alternatif lit 580mV
Calibrage de LED		VR801 (canal gauche) VR802 (canal droit)	LEDS Indicateur correspond à la marque Dolby (fig. 2)
Contrôle de l'égalisation de reproduction	LCT-3009-C	Différence de niveau de sortie entre les signaux 40 Hz, 1 KHz et 10KHz est dans $\pm 3.0\text{dB}$	
Contrôle de la Variation de la vitesse de bande/réglage de la vitesse	LCT-3001	Vérifier que la marge admissible de variation au milieu ou à la fin de bobinage est dans la plage donnée de +2% - 1% (à 3000 Hz marge admissible de variation de la vitesse est 3060-2970). Si la variation de vitesse de bande surpasse la plage donnée ci-dessus, régler la vitesse de moteur. (fig. 3)	

## Reglages de système de l'enregistrement

Instruments: Oscilloscope, Générateur de signal, voltmètre électronique à courant alternatif et bande vierge  
 Conditions: Dolby NR . . . OFF      Niveau de l'enregistrement . . . maximum

Item de réglage	Accouplement	Selecteur de bande	Régler	Régler pour
Ports-Polarisation	Oscilloscope . . Point TP 1 (TP 2 canal droit)	METAL	L-701 (canal gauche) L-702 (canal droit)	Obtenir la variation min. sur l'oscilloscope
Filtre 19KHz	Générateur de signal (400Hz OdB) . . LINE IN/LINE OUT . . . 580mV Changé le générateur de signal à 19KHz Dolby NR . . . ON.	NORMAL	VR709 (L-Ch) VR710 (R-Ch)	Voltmètre électronique à courant alternatif lit -30dB (minimum)
Voltage de polarisation	Oscilloscope . . . Point 3 (4 Canal droit)	METAL	VR703 (L-Ch) VR704 (R-Ch)	Voltmètre électronique à courant alternatif lit 6mV

ction

# Réglages de système de l'enregistrement/reproduction

essai.  
OUT

Instruments: Générateur de signal, analyseur H.D., et bande vierge

Conditions: Dolby NR ... OFF

Niveau de l'enregistrement ... maximum

Reproduction, enregistrement, paus ... ON

la plus grande sur s deux canaux (fig. 1)
ique à courant
espond à la )
eu ou à % (à est
nnée ci-

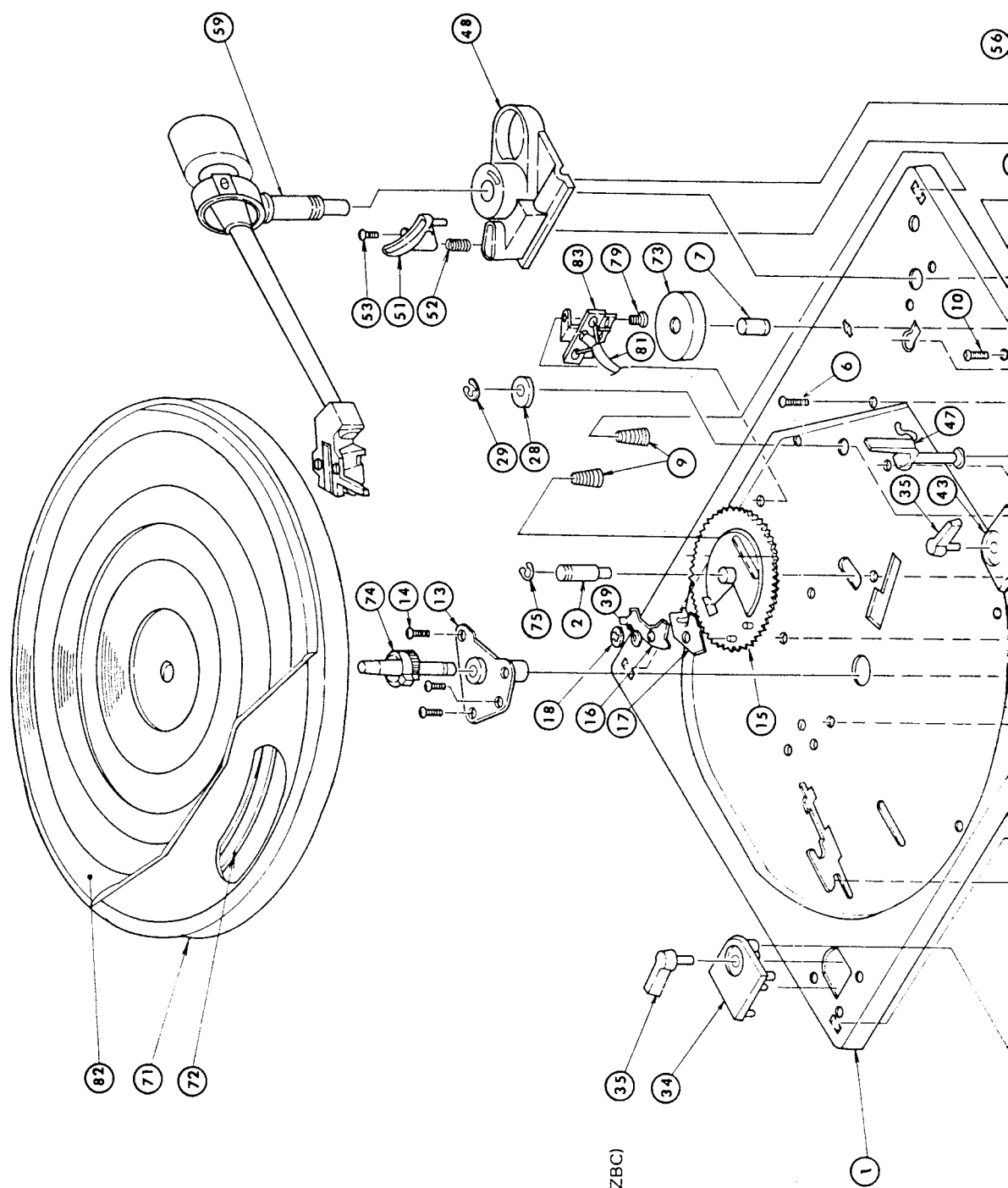
Réglage	Conditions	Régler	Régler pour
Niveau de la sortie de l'enregistrement/reproduction	Générateur de signal (400 Hz OdB) ... LINE IN/LINE OUT ... 580mV Relâcher le bouton de pause et reproduire encore.	VR705 (L-Ch) VR706 (R-Ch)	Différence de niveau de l'enregistrement et reproduction doit être dans $\pm 1$ dB.
Contrôle de la déformations	Générateur de signal (400 Hz OdB) ... LINE IN/LINE OUT ... 580mV Analyseur H.D. ... LINE OUT Relâcher le bouton de pause et reproduire encore.	Vérifier que la déformation est dans la plage donnée suivante. 1. Bande métale ... sous 2% B. Special ... sous 4! c. Bande normale ... sous 2%	
	Si le facteur de la déformation excède les valeurs ci-dessus, vérifier le réglage du courant de la polarisation.		
Contrôle de réonse de fréquence	Insérer la bande METAL	VR703 (L-Ch) VR704 (R-Ch)	40Hz-125Hz ... 5dB 125Hz-10Hz ... 3dB 10KHz-15KHz ... 5dB.
	Insérer la bande Cr02		
	Insérer la bande NORMAL		40Hz-125Hz ... 5dB 125Hz-10KHz ... 3dB 10KHz - 14KHz ... 5dB.

ement

ge

er pour
oir la variation min. sur oscilloscope
metre électronique à nt alternatif lit B (minimum)
metre électronique à nt alternatif lit

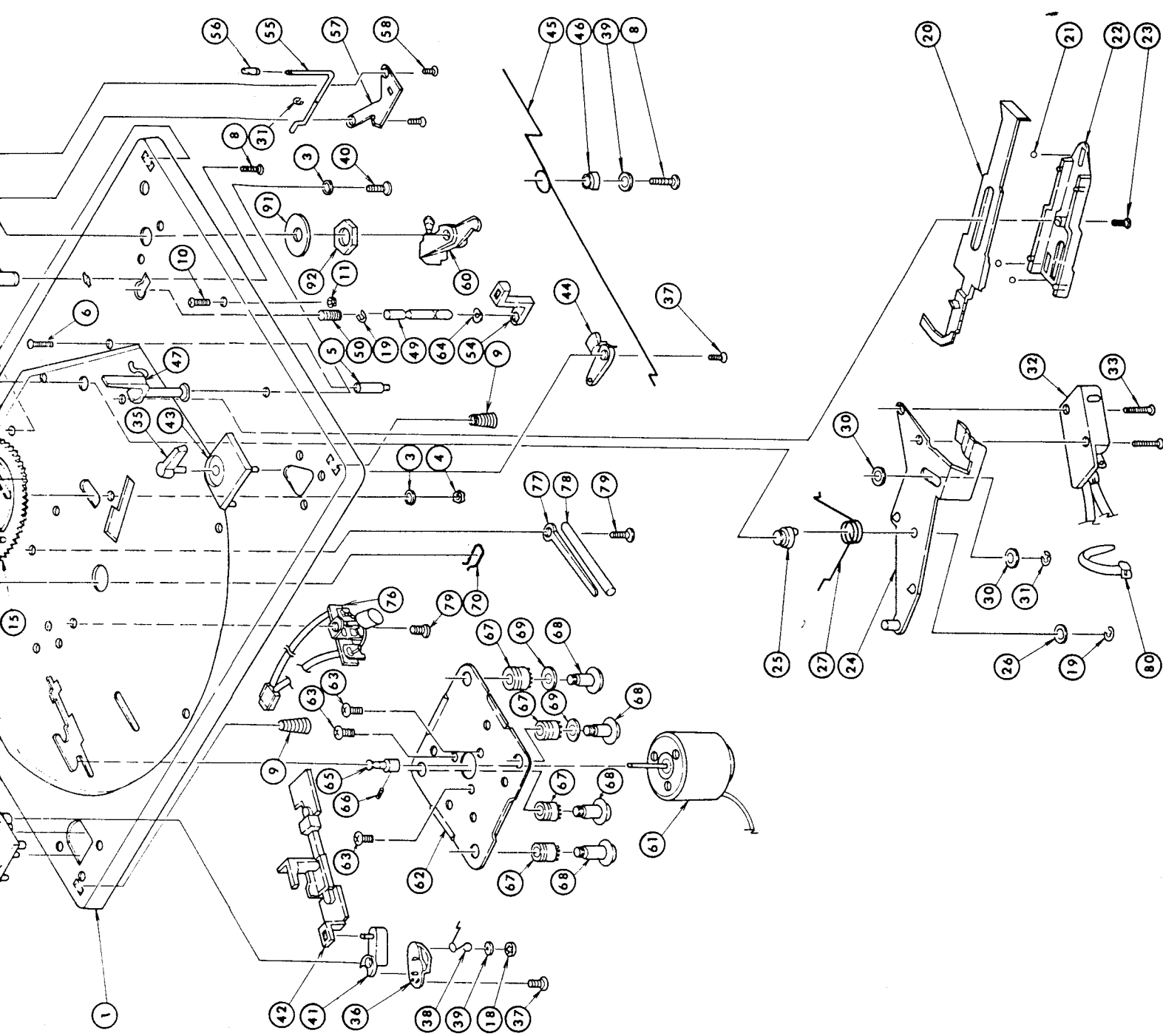
# PLAYER Disassembly Diagram/Spieler Demontage Schaltschema/Joueur Démontage Schéma



Key No.	Parts No.	Description
1	092041192	Chassis Board Ass'y
2	092046562	Reject Lever Axis
3	770500070	Spring Washer 3φ
4	770402217	Nut 3φ
5	092047045	Guide Pin
6	703203006	FM + 3 x 6 (ZBC)
7	092046563	Adaptor Axis
8	092047018	FMT + 3 x 8 (ZBC)
9	092046564	Fixing Spring
10	703223008	FM + 3 x 8 (BLZ)
11	770402215	NUT With Washer M3
12	672200859	Wire Fastener
13	092041045	TT Axis Support Ass'y
14	092047017	BT + 3 x 8 (ZBC)
15	092046511	R Gear Ass'y
16	092041137	Clutch Board
17	092041138	Clutch Guide
18	770911252	CS Ring 3φ
19	770500039	E Ring 3φ
20	092041193	Return Control Arm
21	651010114	Steel Ball 4φ
22	092041194	Return Control Base
23	092047049	FMT + 3 x 12 (ZBC)
24	902041195	Operation Board Ass'y
25	092047001	Decination Pin
26	770500068	Flat Washer 5φ x 10φ x 0.2t
27	092046502	Spring
28	092047045	Adj. Washer
29	770500073	E Ring 6φ
30	770500072	Flat Washer 3.2φ x 10φ x 0.5t (ZBC)
31	770500035	E Ring 2φ
32	615212301	Micro Switch (AM-4700)
33	703202614	FM + 2.6 x 14 (ZBC)
34	092041196	Speed Cover
35	092041197	Speed Selector Ass'y
36	092041198	Speed Selector Arm
37	092047020	FMT + 3 x 6
38	092046567	Click Spring
39	770500060	FW 3.2φ x 8φ x 0.5t (ZBC)
40	723203030	FMT + 3 x 30 (ZBC)
41	092041199	Speed Selector Ring
42	092041200	Belt Guide
43	092041201	Reject Cover
44	092041202	Reject Arm
45	092046565	Reject Spring
46	092047047	T Type Spacer



# eler Demonpage Schéma



- 36 092041198
- 37 092047020
- 38 092046567
- 39 770500060
- 40 723203030
- 41 092041199
- 42 092041200
- 43 092041201
- 44 092041202
- 45 092046565
- 46 092047047


- Speed Selector Arm
- FMT + 3 x 6
- Click Spring
- FW 3.2φ x 8φ x 0.5t (ZBC)
- FMT + 3 x 30 (ZBC)
- Speed Selector Ring
- Belt Guide
- Reject Cover
- Reject Arm
- Reject Spring
- T Type Spacer

Key No.	Parts No.	Description
47	092041203	Arm Rest Assembly
48	092041210	Tone Arm Base Ass'y
49	092046508	Elevation Axis
50	092046507	Elevation Spring
51	092041208	Elevation Plate
52	092046561	Spring
53	703223014	FM + 3 x 14 (BLZ)
54	092041018	Cuing Arm
55	092041204	Cuing Lever
56	092041021	Cuing Cap
57	092041205	Tone Arm Base Plate
58	092047050	FMT + 2 x 4 (ZBC)
59	902111139	Tone Arm Ass'y
60	092041206	Return Arm Ass'y
61	260101144	Motor Ass'y
62	092041207	Motor Support
63	703202604	FM + 2.6 x 4 (ZBC)
64	770500102	Nylon Washer 4φ x 8φ x 0.5t
65	651110031	Pulley
66	770911253	T - 2.6 x 2
67	672200879	Anti-Vibration Rubber
68	092047048	Special Screw
69	770500103	Fiber Washer 4.5φ x 12φ x 0.5t
70	092047005	Stopper
71	092041209	Turntable Plate
72	671011016	Belt
73	648211249	EP. Adaptor
74	092046514	TT Axis Ass'y
75	770500045	E Ring 3.2φ
76	092046566	Switch Ass'y
77	770031333	Lug
78	792011206	UL Tube
79	092047017	BT 3 x 8
80	672200859	Wing Fastener
81		Shield Fastener
82	672301121	TT Sheet
83	791001170	Shield Wire Ass'y
91	770500075	Inner Gear Washer 10φ
92	770402216	Nut 10φ

# Repair Parts List / Reparaturteilliste / Liste des pièces de rechange

Schematic Location	Parts No.	Description
<b>TRANSISTORS, DIODES AND IC'S</b>		
Q101	302001112	2SK49 (F,H), FM RF Amp.
Q102, 104	301901133	LC1674 (K,L), FM MIX OSC
Q103	301901134	LC1675 (K,C), FM IF Amp.
Q201	301901134	LC1675 (K,C), MW OSC
Q202	301901134	LC1675 (K,C), LW OSC (MW/ LW/FM Only)
Q202	301201163	2SC1674 (K,L) SW OSC (SW/MW/ FM only)
Q203, 204	301901134	LC1675 (K,C) IF Amp.
Q205	301201222	2SC2634 (S,T), Audio Amp.
Q301-303	301901132	LC945, for Switching, VOC Stop Control
Q304, 305	301201222	2SC2634 (S,T) Audio Amp.
Q501-504	301201202	2SC1571, Flat Amp.
Q601, 602	301001145	2SA921 (S,T) Differential Amp.
Q603, 604	301201155	2SC1318 (R,S) Pre-Driver
Q605, 606	301301134	2SD571 (K,L) Idling
Q607, 608	301201132	2SC1384 (R,S) Driver
Q609, 610	301001140	2SA684 (R,S) Driver
Q611-614	301201169	2SC1826 (O,Y) Power Amp.
Q701-706	301201222	2SC2634NC (S,T), MIC/REC Amp.
Q901	301201223	2SC2590 OSC
Q902	301201169	2SC1826 (Y,C) Stabilizer
Q903, 904	301901132	LC945 (P,K), For Auto-Stop
D102-103	300111018	1S1588, For Switching Rectifier
D104, 105	300111008	1K188, FM AGC Detector
D201-203	300111018	1S1588, AM AGC, POP Pro. Rectifier
D204-206	300111008	1K188, AM AGC POP Pro. Rectifier
D601	300919026	1N4003 DC Balance Regulator
D701, 702	300111018	1S1588, Reversal Prevention
D801-813	300414042	LN224RP, REC Level Ind. (RED LED)
D802-814	300414040	LN324GP, LED Speed Control (GREEN LED)
D815	300313074	UZ12B, Stabilizer
D901	300919026	1N4003, Rectifier
D902	300515003	2P05M, Auto-Stop Control
D903, 904	300919011	W-02, Rectifier
D1001, 1002	300111008	1K188, Detector
D1201	300919027	KBP-02, Rectifier
D1401-1506	300414042	LN224RP, Signal Ind.
IC101	303452251	HA-11225, IF Amp.
IC301	303452250	HA-12003, MPX Decoder
IC401, 402	303452164	uPC1024H, Phono Amp.
IC701, 702	303452218	NE646B, REC/PB Amp.
IC801, 802	303452279	TA7654P, REC Lever Driver
IC803, 804	303452152	NJM4558DD, LED Driver
IC1001	303452232	LB-1416, AF Power Ind. Driver
IC1101	303452188	LB-1405, Tuning Signal Ind. Driver

Schematic Location	Parts No.	Description
<b>COILS AND VARIABLE PESISTROS</b>		
L001	222301224	AM ANT Coil (AM/FM)
	222301225	MW/LW ANT Coil (MW/LW/FM)
L101	226501131	FM ANT COIL
L102-104	226501132	FM RF Coil
L105	226501152	2.2uH, FM IF Trap Coil
L106	226501161	FM OSC Coil
L107	225501131	FM IFT
L108	226501125	18uH, Moving Phase
L109	225501139	FM IFT Quadrature Detector
L201	223301127	MW OSC
L202	226501142	2mH, LW Filter (MW/LW/FM Only)
L203	223301129	LW OSC (MW/LW/FM Only)
L203	223301142	SW OSC.
L204	225301131	AM IFT 1st.
L205	225301132	AM IFT 2nd.
L206	225301133	AM IFT 3rd.
L207	226501157	SW ANT.
L701, 702	228641174	85KHz, Trap Coil.
L703-706	228641173	10mH, Peaking Coil
L707, 708	228641186	12mH Peaking Coil
L709, 710	228641189	Filter
L901	228641190	OSC
VR101	510502199	20KB, Muting Adj.
VR102	510502196	100KB, FM Singal Ind. Adj.
VR201	510502196	100KB, AM Signal Ind. Adj.
VR301	510502195	10KB, Voc Adj.
VR302	510502195	10KB, Separation Adj.
VR501	515121131	250KW, Balance Control
VR502	525121146	100KBx2, Volume Control
VR503, 504	525101179	50KBx2, Treble Bass Control
VR601, 602	510502201	200KB, Center Voltage Adj.
VR603, 604	510502198	1KB, Bias Adj.
VR701	525101184	50KAx2, REC Level Control
VR702, 703	510502200	50KB, Bias Adj.
VR704, 705	510502200	50KB, PB Lever Adj.
VR706, 707	510502199	20KB, REC Level Adj.
VR801, 802	510502147	10KB, REC Level Ind. Adj.

Schematic Location	Parts No.	Description
<b>SWITCHES AND OTHERS</b>		
S1	601011353	Switch Function Selector (AM/FM)
	601011354	Switch Function Selector (MW/LW/FM)
S2	614010171	Switch, Push 1-Key, Tape
S3	613000041	Switch, Slide, REC/PB
S4	614010171	Switch, Push 1-Key, Dolby NR
S5	601011356	Switch, Tape Selector
S6	615212287	Switch, Muting
S7	615212288	Switch, Pause
S8	615212286	Switch, Play
S9	615212262	Switch, Reed
S10	614010168	Switch, Power Supply (For UL, CSA)
	614010165	Switch, Power Supply (For BEAB.....)
S11	613000035	Switch, 6P, Slide
T001	201001543	Transformer, Power Supply (120 Only)
	207001543	Transformer, Power Supply (Multi Type) 
C1201	402220463	Smoothing Capacitor
F901	341220005	Fuse, 0.5A AC Circuit Protector (Long Size)
	345220005	Fuse, 500mA AC Circuit Protector (Mini Size)
	345250005	Fuse, 500mA AC Circuit Protector (Mini Size ;"S" "D" Mark)
F902	341220010	Fuse, 1A AC Circuit Protector (Long Size)
	345220010	Fuse, 1A AC Circuit Protector (Mini Size)
	345250010	Fuse, 1A AC Circuit Protector (Mini Size "S" "D" Mark)

**THE ROTEL CO., LTD.**  
**ROTEL ELECTRONICS CO., LTD.**  
**ROTEL OF AMERICA, INC.**  
**ROTEL HI FI LIMITED.**

1-36-8 OHOKAYAMA, MEGURO-KU, TOKYO 152, JAPAN  
 2ND FLOOR, EVERGLORY BLDG., NO. 305, SECTION 3,  
 NANKING E. ROAD, TAIPEI, TAIWAN, REPUBLIC OF CHINA

13518 SO. NORMANDIE, GARDENA, CALIF. 90249, U.S.A.  
 2-4 ERICA ROAD, STACEY BUSHES, MILTON KEYNES,  
 BUCKINGHAMSHIRE, ENGLAND

Printed in Taiwan '81 Sep. 835201399 A