

Technical Manual

SIX CHANNEL POWER AMPLIFIER **RMB-1076**

Table of Contents

Specification.....	1
Parts List.....	2~6
Wiring Diagram	7
PCB Assembly	8
Schematic Diagram.....	9

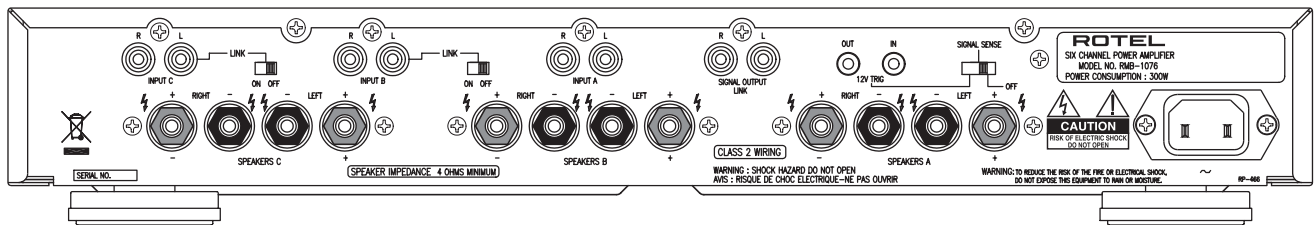
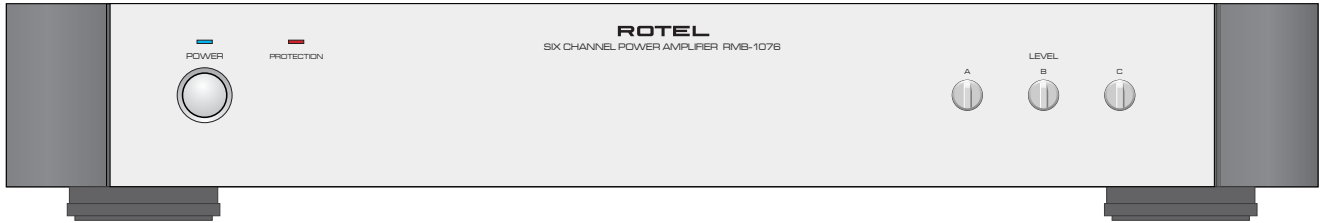
Specifications

Power Configurations	6 x 100 watts
Watts/Channel	100 watts
<i>All channels driven, with 20KHz filter unbridged, 8ohm, 20 to 20kHz, <0.02%THD</i>	
Total Harmonic Distortion	< 0.02%
<i>At rated power, 20-20,000Hz</i>	
Intermodulation Distortion	< 0.03%
<i>At rated power, 60 Hz : 7 kHz, 4:1</i>	
Power Output 4 ohms, 1.0% THD	180 watts
Frequency Response ±3 dB	10Hz-40kHz
Damping Factor 8 ohms	200
Signal to Noise Ratio IHF A network	105 dB
Amp Gain	27.2dB
Input Sensitivity / Impedance	1.25V/8.2 kohms
Auto Turn On Threshold Level (if activated)	10 mV input signal
Power Requirements	
USA:	120 Volts, 60 Hz
Europe:	230 Volts, 50 Hz
Power Consumption	300 Watts
Output Peak Current	11A
Idling Power Consumption	70 watts
Standby Power Consumption	6 watts
Dimensions (W x H x D)	432 x 72 x 382 mm
	17 1/8 x 9 3/8 x 15 1/8 in
Front Panel Height (for rack mount)	60mm
Weight (net)	5.7 kg, 12.5 lb.

THE ROTEL CO., LTD

10-10 SHINSEN-CHO, SHIBUYA-KU,
TOKYO 150-0045, JAPAN

Serial. NO.



Please request:

When the fault are in the 200ASC or 200AC module, replace the module and send back the modules later.

SYMBOL	PARTS NO.	DESCRIPTION
016 X-1493A01-05 PCB ASSY		
	501 X-1493	PCB ASSY
L901	021 2698200001	LINE FILTER COIL RING-593
T001	022 T-1101N01	SUB TRANSFORMER
IC401,402	031 NJM5532DD	IC (OPE DUAL)
IC701	031 PC817X2	IC (PHOTO COUPLER) PC817X2J000F
Q701,702	032 TA608-FG	TRANSISTOR 2SA608KAA-FG
Q703-706	032 TC536-FG	TRANSISTOR 2SC536KAA-FG
Q902	033 TA1016-FG	TRANSISTOR 2SA1016KAA-FG
Q901	033 TC2362-FG	TRANSISTOR 2SC2362KAA-FG
D701	034 T1N4148-86	DIODE 1N4148TAP-50
D903,904	034 TRD18JST1	ZENER DIODE 18V (AB2)
D901,902	034 W02M	POWER DIODE 200V1.5A
C401-404	041 TUTES1E101-7TF	ELECTROLYTIC CAPACITOR 25V100uF
C910-913	041 TUTES1E221-7TF	ELECTROLYTIC CAPACITOR 25V220uF
C909	041 TUTES1E471-7TS	ELECTROLYTIC CAPACITOR 25V470uF
C701	041 TUTES1H2R2-7TF	ELECTROLYTIC CAPACITOR 50V2.2uF
C903-908	043 TC500V103	CERAMIC CAPACITOR 500V0.01uF
C902	044 DE2E3KH472MA3B	SPARK KILLER 4700pF
C901	044 ECQU2A105KL	SPARK KILLER 275V1uF
VR401-403	051 C-4170A36	VARIABLE RESISTOR 50KBX2
R715,716	053 CR16-224J-A	CARBON RESISTOR 1/6W 220K
R717,906	053 CR16-472J-A	CARBON RESISTOR 1/6W 4.7K
R902-905	054 ERQ1CJP2R2S	FUSIBLE RESISTOR 1W 2.2
R901	054 MOF12-3M3	MOF RESISTOR 1/2W 3.3M
R907,908	054 TMF4700	METAL FILM RESISTOR 1/4W 470
R409,410	054 TMF1000	METAL FILM RESISTOR 1/4W 100
R401-406	054 TMF1001	METAL FILM RESISTOR 1/4W 1K
R407,408	054 TMF1002	METAL FILM RESISTOR 1/4W 10K
R701,702,707	054 TMF16-1001	METAL FILM RESISTOR 1/6W 1K
R703,704	054 TMF16-1002	METAL FILM RESISTOR 1/6W 10K
R708,711,712	054 TMF16-1003	METAL FILM RESISTOR 1/6W 100K
R709,710	054 TMF2202	METAL FILM RESISTOR 1/4W 22K
R411-417	054 TMF16-1004	METAL FILM RESISTOR 1/6W 1M
R705,706	054 TMF16-4702	METAL FILM RESISTOR 1/6W 47K
R713,714	054 TMF16-4703	METAL FILM RESISTOR 1/6W 470K
S901	061 C-4176A07	POWER SWITCH PS3-22-P3AV TV-8
S401,402	064 4TR-2341	SLIDE SWITCH SS010-P022BAb-PA9
S701	064 C-4660A00	SLIDE SWITCH SS010-P823
HJ1,2	065 YKB21-5103A	3.5Φ JACK (ST)
PJ1-4	066 4TR-2709#3	2P PIN JACK (WHT.RED)
SP1-3	067 C-4493B00	4P SPEAKER TERMINAL
D702,D905,AC115V,AC230V	068 B2B-EH	CONNECTOR WAFER 2P
K33A	068 B2P3-VH	CONNECTOR WAFER 2P
K34	068 B2P-VH	CONNECTOR WAFER 2P
K1A,K2A,K3A,K32A	068 B4B-PH-KS	CONNECTOR WAFER 4P
K4D,K10D	068 B5B-PH-KS	CONNECTOR WAFER 5P
E3,E4	068 C-3681#1	2P PCB TERMINAL
AC115V,AC230V	068 C-4967A01	2P CONECTOR WIRE
OTHERS		
	011 FP-624-B	BLACK PANEL ASSY
	011 FP-624-S	SILVER PANEL ASSY

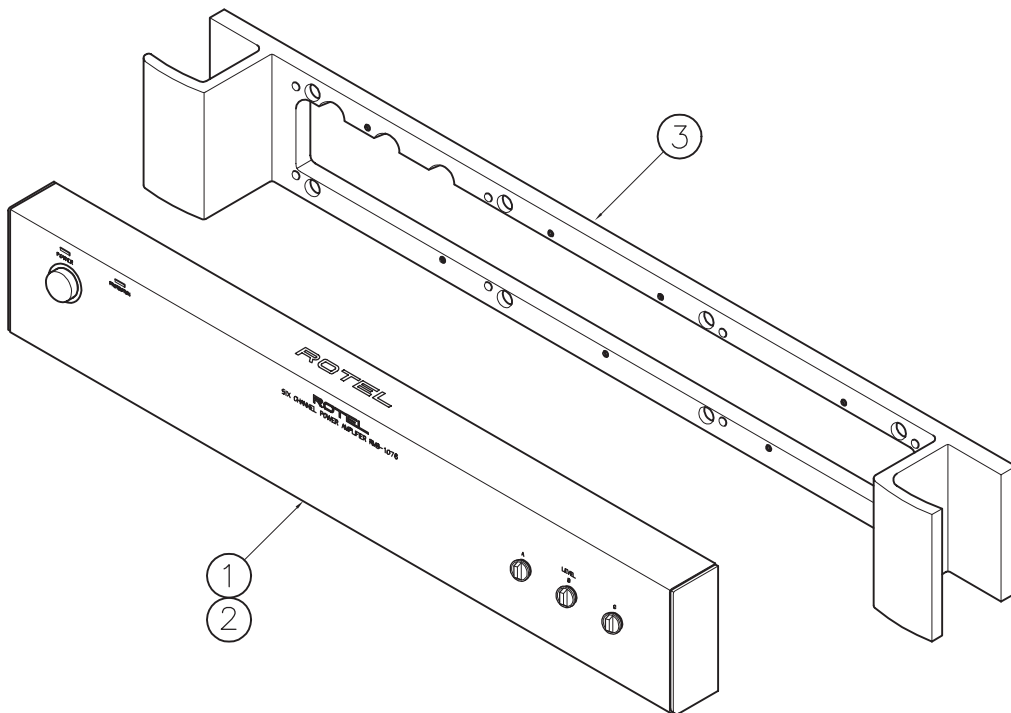
SYMBOL	PARTS NO.	DESCRIPTION
	011 VA3-01A00	H/S PANEL
	012 RV4-09A00	PUSH BUTTON 14Φ (BLACK)
	012 RV4-09A01	PUSH BUTTON 14Φ (SILVER)
	012 VF4-22B00	KNOB 10Φ (BLACK)
	012 VF4-22B01	KNOB 10Φ (SILVER)
	014 WY3-05A00	UPPER COVER
	019 4TSH-19#2	PLASTIC FOOT 50Φ (BLACK)
	019 C-4714A00	POWER KNOB RING 14Φ (BLACK)
	019 C-4714A01	POWER KNOB RING 14Φ (SILVER)
	034 SEL1124R	LED (RED) 1X5
	034 SEL1E24W	LED (BLU) 1X5
	069 C-4629A01	AC 2P INLET 6102.3100
	072 4TR-2489	3.5mm PLUG SHIELD CORD
	072 C-4621A03	AC CORD SET SJT AWG16 for U.S.A.
	072 C-4622A02	AC CORD SET for AUSTRALIA
	072 C-4623A03	AC CORD SET for U.K.
	072 C-4624A03	AC CORD SET for EUROPE
	081 WY3-06A00	INSIDE CARTON
	081 WY3-07A00	SHIPPING CARTON
	081 ZE-219	ETHAFOAM MUOLDING
	082 OMRMB-1076-81	OWNER'S MANUAL
	092 ICEPOWER200AC	DIGITAL AMP PCB ASSY
	092 ICEPOWER200ASC	DIGITAL AMP PCB ASSY

Addendum List for Black and Silver

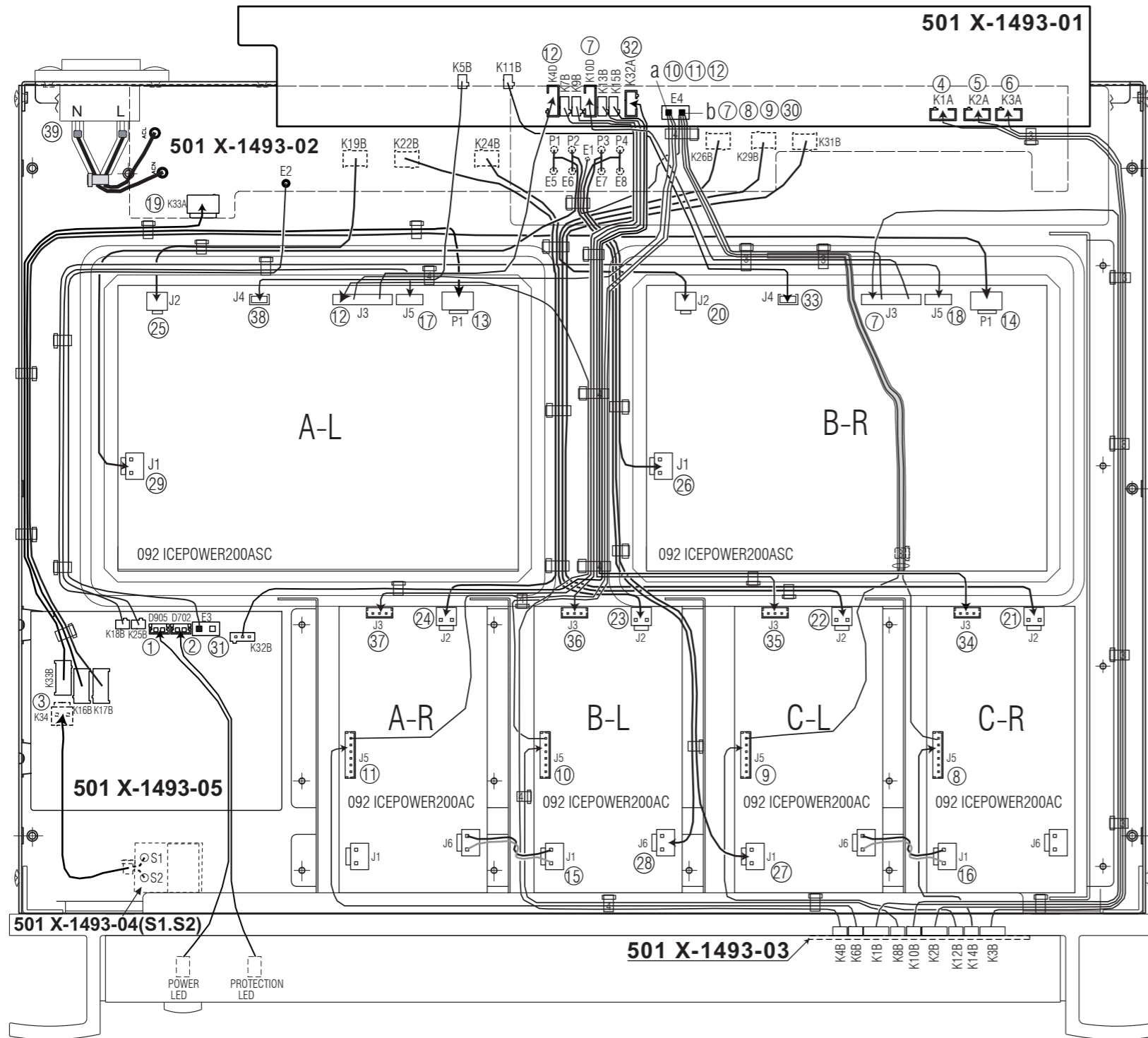
RMB-1076

SYMBOL	PARTS	DESCRIPTION
①	011 FP-624-B	BLACK PANEL ASSY
②	011 FP-624-S	SILVER PANEL ASSY
③	011 VA3-01A00	H/S PANEL H60
	012 RV4-09A00	PUSH BUTTON 14F (BLK)
	012 RV4-09A01	PUSH BUTTON 14F (SLV)
	034 SEL1124R	LED (RED) 1X5
	034 SEL1E24W	LED (BLU) 1X5

Panel Assy is included:
 Side Cap
 Knob Ring
 LED

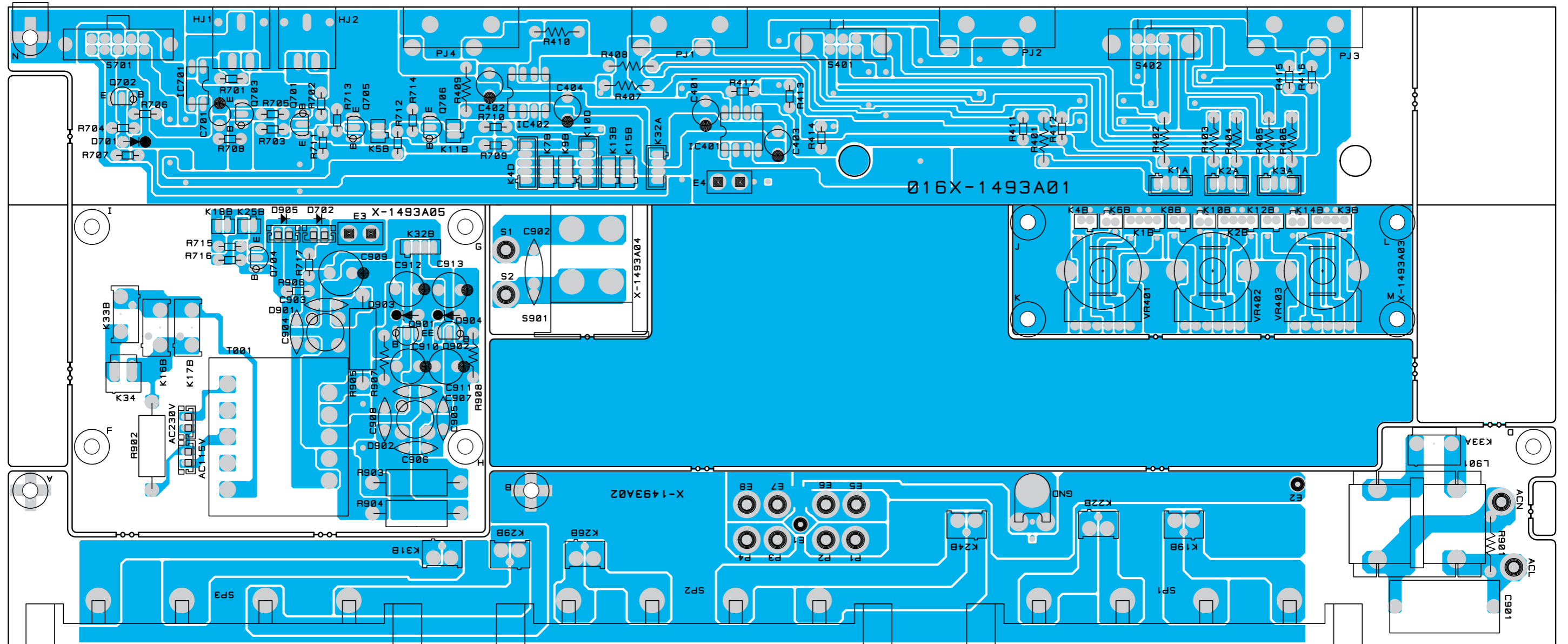


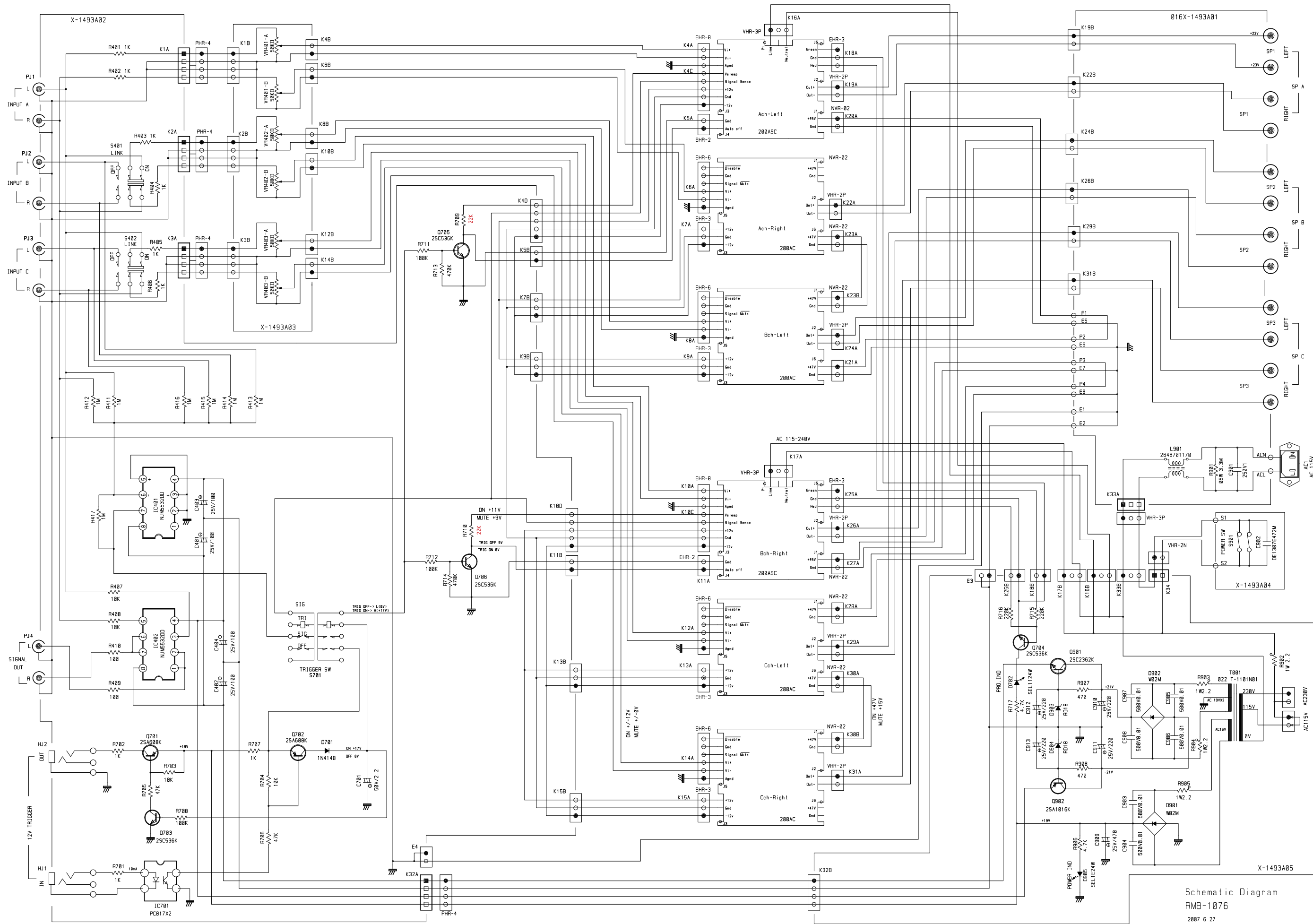
<Memo>



WIRING	CNT ASSY	FROM	TO 1	TO 2
①	068 C-4586A09 (2P 160MM)	POWER LED	X-1493-05 (D905)	
②	068 C-4586A12 (2P 160MM)	PROTECTION LED	X-1493-05 (D702)	
③	068 C-4877A05 (2P 120MM)	X-1493-04 (S1.S2)	X-1493-05 (K34)	
④	068 C-4773A17 (4P 450MM)	X-1493-03 (K1B)	X-1493-01 (K1A)	
⑤	068 C-4773A24 (4P 420MM)	X-1493-03 (K2B)	X-1493-01 (K2A)	
⑥	068 C-4773A25 (4P 400MM)	X-1493-03 (K3B)	X-1493-01 (K3A)	
⑦	068 C-4956A02 (8P-5P 160MM/2P 470MM)	X-1493-03 (K10B)	ICEPOWER 200ASC(B-R) (J3)	X-1493-01 (K10D) (E4-b)
⑧	068 C-4957A01 (6P-2P 140MM)	X-1493-03 (K14B)	ICEPOWER 200AC(C-R) (J5)	X-1493-01 (E4-b)
⑨	068 C-4957A02 (6P-2P 200MM)	X-1493-03 (K12B)	ICEPOWER 200AC(C-L) (J5)	X-1493-01 (E4-b)
⑩	068 C-4957A03 (6P-2P 250MM)	X-1493-03 (K8B)	ICEPOWER 200AC(B-L) (J5)	X-1493-01 (E4-a)
⑪	068 C-4957A04 (6P-2P 400MM)	X-1493-03 (K6B)	ICEPOWER 200AC(A-R) (J5)	X-1493-01 (E4-a)
⑫	068 C-4956A01 (8P-5P 120MM/2P 450MM)	X-1493-03 (K4B)	ICEPOWER 200ASC(A-L) (J3)	X-1493-01 (K4D) (E4-a)
⑬	068 C-4695A06 (2P 350MM)	X-1493-05 (K16B)	ICEPOWER 200ASC(A-L) (P1)	
⑭	068 C-4695A13 (2P 540MM)	X-1493-05 (K17B)	ICEPOWER 200ASC(B-R) (P1)	
⑮	068 C-4961A01 (2P 70MM)	ICEPOWER 200A(A-R) (J6)	ICEPOWER 200A(B-L) (J1)	
⑯	068 C-4961A01 (2P 70MM)	ICEPOWER 200A(C-L) (J6)	ICEPOWER 200A(C-R) (J1)	
⑰	068 C-4958A01 (3P-2P 280MM)	X-1493-05 (K18B)	ICEPOWER 200ASC(A-L) (J5)	
⑱	068 C-4958A02 (3P-2P 480MM)	X-1493-05 (K25B)	ICEPOWER 200ASC(B-R) (J5)	
⑲	068 C-4695A12 (3P 260MM)	X-1493-05 (K33B)	X-1493-02 (K33A)	
⑳	068 C-4959A01 (2P 120MM)	X-1493-02 (K26B)	ICEPOWER 200ASC(B-R) (J2)	
㉑	068 C-4959A04 (2P 400MM)	X-1493-02 (K31B)	ICEPOWER 200A(C-R) (J2)	
㉒	068 C-4959A03 (2P 300MM)	X-1493-02 (K29B)	ICEPOWER 200A(C-L) (J2)	
㉓	068 C-4959A05 (2P 240MM)	X-1493-02 (K24B)	ICEPOWER 200A(B-L) (J2)	
㉔	068 C-4959A02 (2P 240MM)	X-1493-02 (K22B)	ICEPOWER 200A(A-R) (J2)	
㉕	068 C-4959A01 (2P 120MM)	X-1493-02 (K19B)	ICEPOWER 200ASC(A-L) (J2)	
㉖	068 C-4960A01 (2P 150MM)	X-1493-02 (P3/E7)	ICEPOWER 200ASC(B-R) (J1)	
㉗	068 C-4960A04 (2P 300MM)	X-1493-02 (P4/E8)	ICEPOWER 200A(C-L) (J1)	
㉘	068 C-4960A03 (2P 300MM)	X-1493-02 (P2/E6)	ICEPOWER 200A(B-L) (J6)	
㉙	068 C-4960A02 (2P 300MM)	X-1493-02 (P1/E5)	ICEPOWER 200ASC(A-L) (J1)	
㉚	073 RMB-1076-P (#3 100MM)	X-1493-02 (E1)	X-1493-01 (E4-b)	
㉛	073 RMB-1076-P (#2 270MM)	X-1493-02 (E2)	X-1493-05 (E3)	
㉜	068 C-4692A90 (4P 340MM)	X-1493-05 (K32B)	X-1493-01 (K32A)	
㉝	068 C-4661A09 (2P 140MM)	X-1493-01 (K11B)	ICEPOWER 200ASC(B-R) (J4)	
㉞	068 C-4661A08 (3P 300MM)	X-1493-01 (K15B)	ICEPOWER 200A(C-R) (J3)	
㉟	068 C-4661A07 (3P 240MM)	X-1493-01 (K13B)	ICEPOWER 200A(C-L) (J3)	
㊱	068 C-4661A06 (3P 200MM)	X-1493-01 (K9B)	ICEPOWER 200A(B-L) (J3)	
㊲	068 C-4661A07 (3P 240MM)	X-1493-01 (K7B)	ICEPOWER 200A(A-R) (J3)	
㊳	068 C-4661A09 (2P 140MM)	X-1493-01 (K5B)	ICEPOWER 200ASC(A-L) (J4)	
㊴		AC INLET (N) (L)	X-1493-02 (ACN) (ACL)	

Main PCB 016 X-1493A01~05





Schematic Diagram
RMB-1076
2007 6 27