



Technical Manual

FIVE CHANNEL POWER AMPLIFIER RMB-1085-2

Table of Contents

- Specification..... 1
- Parts List..... 2~4
- Wiring Diagram 5
- PCB Assembly..... 6
- Schematic Diagram..... 7

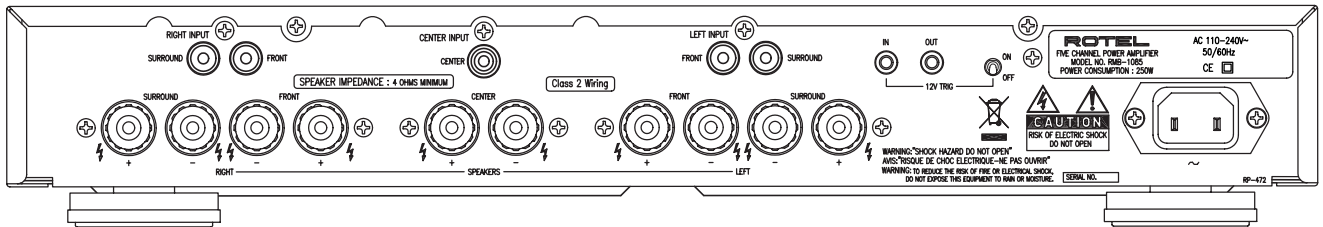
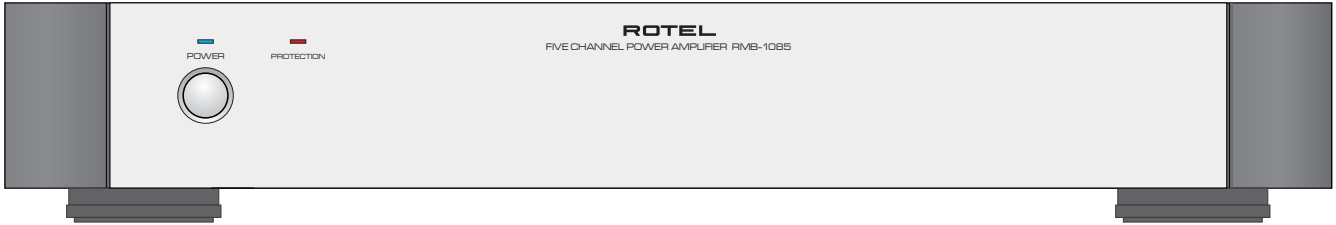
Specifications

Power Configuration	5 x 100 watts
Watts/Channel <i>all channels driven, with 20kHz</i>	
8 ohm load, 20Hz to 20kHz, <0.02% THD	100 watts
4 ohm load, 1kHz, <1% THD	180 watts
Peak Output Current	11 amps
Total Harmonic Distortion	
<i>At rated power, 20Hz-20kHz</i>	< 0.02%
<i>At one-half rated power, 20Hz-20kHz</i>	< 0.03%
<i>At 1 watt per channel, 20Hz-20kHz</i>	< 0.03%
Intermodulation Distortion <i>at rated power, 60Hz:7 kHz, 4:1</i>	< 0.03%
Damping Factor 8 ohms	200
Amplifier Gain	27.2dB
Input Sensitivity/Impedance	1.25V/8.2 kohms
Frequency Response ±3dB	10Hz-40kHz
Signal to Noise Ratio IHF A network	105dB
Power Requirements	110-240 volts
Power Consumption	250 watts
Idling Power Consumption	30 watts
Standby Power Consumption	6 watts
Dimensions (W x H x D)	432 x 72 x 382 mm
	17 1/8 x 9 3/8 x 15 1/8 in
Front Panel Height <i>(for rack mount)</i>	60mm
Weight <i>(net)</i>	5.4 kg, 11.9 lb.

THE ROTEL CO., LTD

10-10 SHINSEN-CHO , SHIBUYA-KU,
TOKYO 150-0045, JAPAN

Serial. NO. 7501001~



Please request:

When the fault are in the 200ASC or 200AC module, replace the module and send back the modules later.

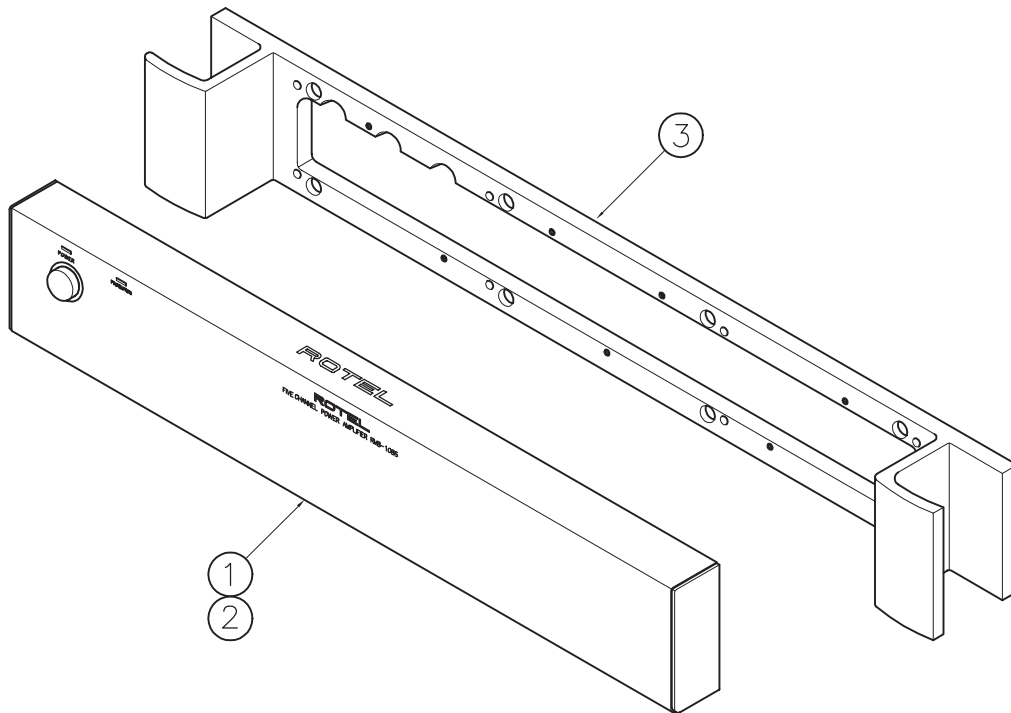
SYMBOL	PARTS NO.	DESCRIPTION
016 X-1511B01-03 PCB ASSY		
	501 X-1511	PCB ASSY (MAIN BOARD)
H1,H2	017 4TR-2792#1	SUB HEAT SINKER L=25
(D907,908)	019 0009-P	POWER TR BUSH
(D907,908)	019 TO-220	MICA SHEET TBM-51W-15 #9036
L901	021 2698200001	LINE FILTER COIL RING-593
IC701	031 PC817X2	IC (PHOTO COUPLER)
D907,908	034 IRL1605C	POWER DIODE
D701,703-705,905-906	034 T1N4148-86	DIODE 1N4148TAP-50
C903-905	041 EEUFC1J102	ELECTROLYTIC CAPACITOR 63V1000uF
C701	041 TUTCX1E100-0TF	ELECTROLYTIC CAPACITOR 25V10uF
C902	044 DE2E3KH472MA3B	SPARK KILLER 4700pF
C901	044 ECQU2A105KL	SPARK KILLER 275V1uF
R901	054 MOF12-3M3	MOF RESISTOR 1/2W 3.3m
R401-405	054 TMF1001	METAL RESISTOR 1/4W 1K
R703,704	054 TMF16-1000	METAL RESISTOR 1/6W 100
R701,702	054 TMF16-1001	METAL RESISTOR 1/6W 1K
R903* (for RED LED)	054 TMF16-1501	METAL RESISTOR 1/6W 1.5K
R903* (for BLUE LED)	054 TMF16-1801	METAL RESISTOR 1/6W 1.8K
R904	054 TMF16-2200	METAL RESISTOR 1/6W 220
R707	054 TMF16-2202	METAL RESISTOR 1/6W 22K
R705,706	054 TMF16-4703	METAL RESISTOR 1/6W 470K
S901	061 C-4176A07	POWER SWITCH PS3-22-P3AV TV-8
S701	064 C-4613A01	TOGGLE SWITCH 200MDP1T2B2M7RE
HJ1-2	065 YKB21-5406N	3.5Φ JACK (ST)
PJ2	066 4TR-2487#4	1P PIN JACK (BLACK)
PJ1,PJ3	066 4TR-2709#11	2P PIN JACK (BLACK)
SP1,SP3	067 C-4761A01	4P SPEAKER TERMINAL
SP2	067 C-4762A01	2P SPEAKER TERMINAL
D901,902	068 B2B-EH	CONNECTOR WAFER 2P
K34B	068 B2P-VH	CONNECTOR WAFER 2P
E3,E4	068 C-3681#1	2P PCB TERMINAL
OTHERS		
	011 FP-632-B	BLACK PANEL ASSY
	011 FP-632-S	SILVER PANEL ASSY
	011 VA3-01A00	H/S PANEL
	012 RV4-09A00	PUSH BUTTON 14Φ (BLACK)
	012 RV4-09A01	PUSH BUTTON 14Φ (SILVER)
	014 WY3-05B00	UPPER COVER
	019 4TSH-19#2	PLASTIC FOOT 50Φ (BLACK)
	019 C-4714A00	POWER KNOB RING 14Φ (BLACK)
	019 C-4714A01	POWER KNOB RING 14Φ (SILVER)
	034 SEL1124R	LED (RED) 1X5
	034 SEL1E24W	LED (BLU) 1X5
	054 LRX25W500RJ	WIREROUND RESISTOR (230V only with G ver)
	069 C-4629A03	AC 2P INLET 6102.3300 (FASTON)
	072 4TR-2489	3.5mm PLUG SHIELD CORD (for 12V TRIG)
	072 C-4621A03	AC CORD SET SJT AWG16 for USA
	072 C-4622A02	AC CORD SET for AUSTRALIA
	072 C-4623A03	AC CORD SET for U.K.
	072 C-4624A03	AC CORD SET for EUROPE
	081 YC3-02A00	INSIDE CARTON
	081 YC3-03A00	SHIPPING CARTON
	081 ZE-218	ETHAFOAM MOULDING
	082 OMRMB-1085	OWNER'S MANUAL
LF, RF, C	092 ICEPOWER200AC	DIGITAL AMP PCB ASSY
LR, RR	092 ICEPOWER200ASC	DIGITAL AMP PCB ASSY

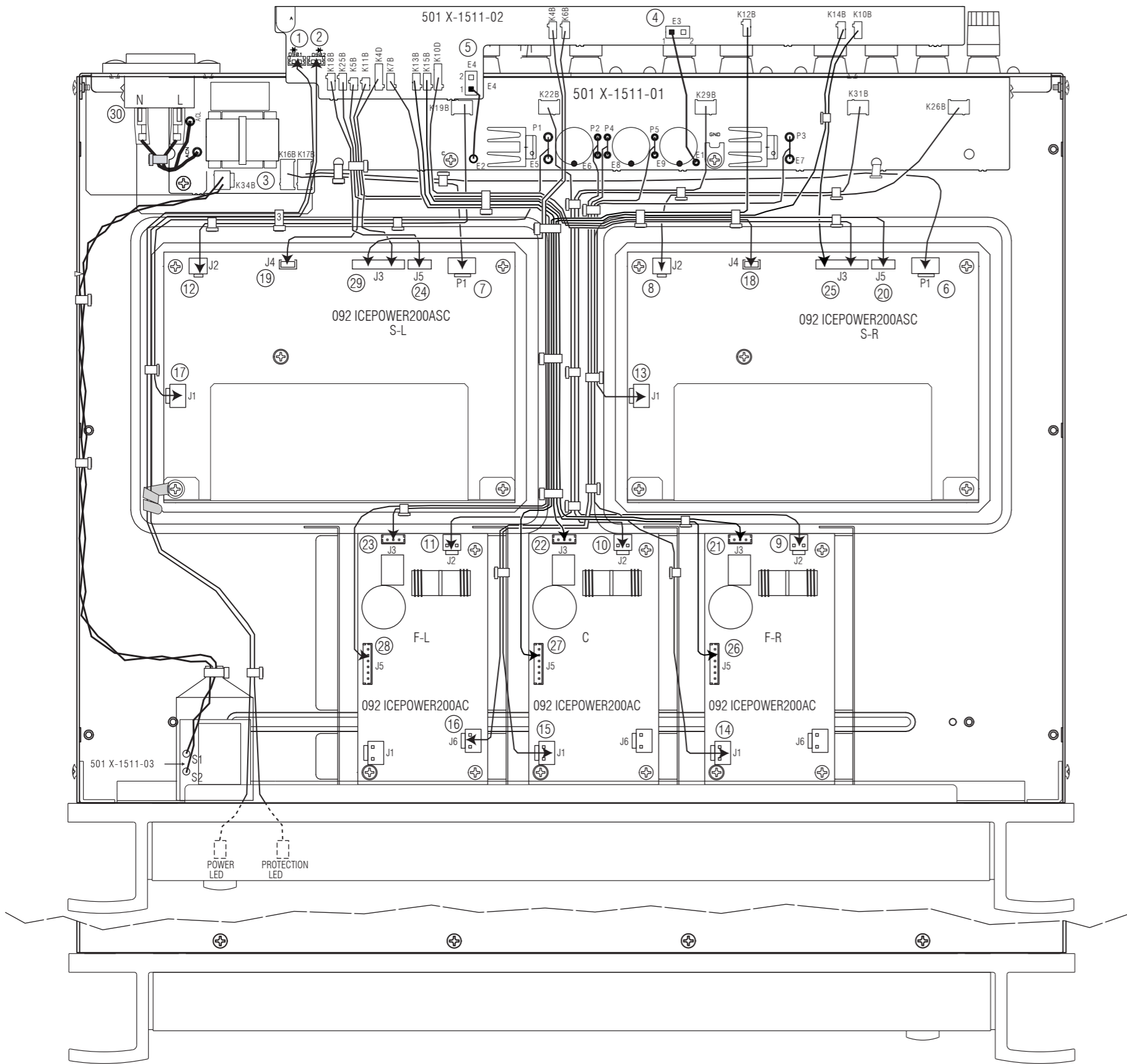
Addendum List for Black and Silver

RMB-1085/ -2

SYMBOL	PARTS	DESCRIPTION
①	011 FP-632-B	BLACK PANEL ASSY
②	011 FP-632-S	SILVER PANEL ASSY
③	011 VA3-01A00	H/S PANEL H60
	012 RV4-09A00	PUSH BUTTON 14F (BLK)
	012 RV4-09A01	PUSH BUTTON 14F (SLV)
	034 SEL1124R	LED (RED) 1X5
	034 SEL1E24W	LED (BLU) 1X5

Panel Assy is included:
 Side Cap
 Knob Ring
 LED





WIRING	CNT ASSY	PCB.etc	ICEPOWER 200ASC(S-R)	ICEPOWER 200A(F-R)	ICEPOWER 200A(C)	ICEPOWER 200A(F-L)	ICEPOWER 200ASC(S-L)	X-1511-02	X-1511-01
①	068 C-4586A05 (2P 420MM)	POWER LED						→ D901	
②	068 C-4586A06 (2P 420MM)	PROTECTION LED						→ D902	
③	068 C-4975A01 (2P 320MM)	X-1511-03(S1.S2)							→ K34B
④	073 RMB-1085-P (#10 80MM)	X-1511-01(E1)						→ E3-1	
⑤	073 RMB-1085-P (#10 80MM)	X-1511-01(E2)						→ E4-1	
⑥	068 C4695A06 (2P 350MM)	X-1511-01(K17B)	→ P1						
⑦	068 C4695A15 (2P 140MM)	X-1511-01(K16B)					→ P1		
⑧	068 C-4959A06 (2P 180MM)	X-1511-01(K26B)	→ J2						
⑨	068 C-4959A04 (2P 400MM)	X-1511-01(K31B)		→ J2					
⑩	068 C-4959A08 (2P 260MM)	X-1511-01(K29B)			→ J2				
⑪	068 C-4959A07 (2P 260MM)	X-1511-01(K22B)			→ J2				
⑫	068 C-4959A06 (2P 180MM)	X-1511-01(K19B)				→ J2			
⑬	068 C-4960A05 (2P 220MM)	X-1511-01(P3/E7)	→ J1						
⑭	068 C-4976A02 (2P 320MM)	X-1511-01(P5/E9)		→ J1					
⑮	068 C-4976A03 (2P 300MM)	X-1511-01(P4/E8)			→ J1				
⑯	068 C-4976A01 (2P 300MM)	X-1511-01(P2/E6)				→ J6			
⑰	068 C-4960A04 (2P 300MM)	X-1511-01(P1/E5)					→ J1		
⑱	068 C-4661A11 (2P 240MM)	X-1511-02(K11B)	→ J4						
⑲	068 C-4661A10 (2P 80MM)	X-1511-02(K5B)					→ J4		
⑳	068 C-4661A08 (3P 300MM)	X-1511-02(K25B)	→ J5						
㉑	068 C-4661A08 (3P 300MM)	X-1511-02(K15B)		→ J3					
㉒	068 C-4661A07 (3P 240MM)	X-1511-02(K13B)			→ J3				
㉓	068 C-4661A12 (3P 320MM)	X-1511-02(K7B)				→ J3			
㉔	068 C-4661A13 (3P 100MM)	X-1511-02(K18B)					→ J5		
㉕	068 C-4974A02 (8P-5P3P 100MM)	X-1511-02(K10B/K10D)	→ J3						
㉖	068 C-4973A02 (3P-6P 400MM)	X-1511-02(K14B)		→ J5					
㉗	068 C-4973A01 (3P-6P 340MM)	X-1511-02(K12B)			→ J5				
㉘	068 C-4973A01 (3P-6P 340MM)	X-1511-02(K6B)				→ J5			
㉙	068 C-4974A01 (8P-5P3P 150MM)	X-1511-02(K4B/K4D)					→ J3		
⑳		AC INLET						→ ACN	→ ACL

Schematic Diagram

RMB-1085-2

