



Technical Manual

FIVE-CHANNEL POWER AMPLIFIER RMB-1095-2

Table of Contents

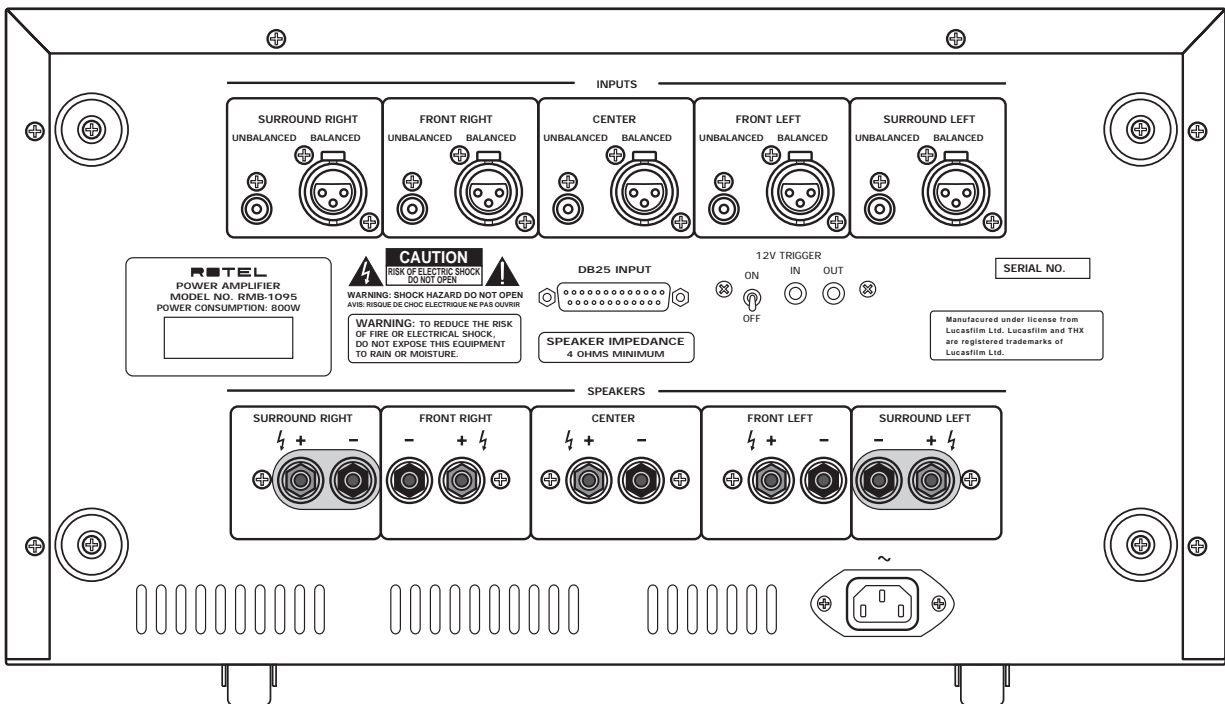
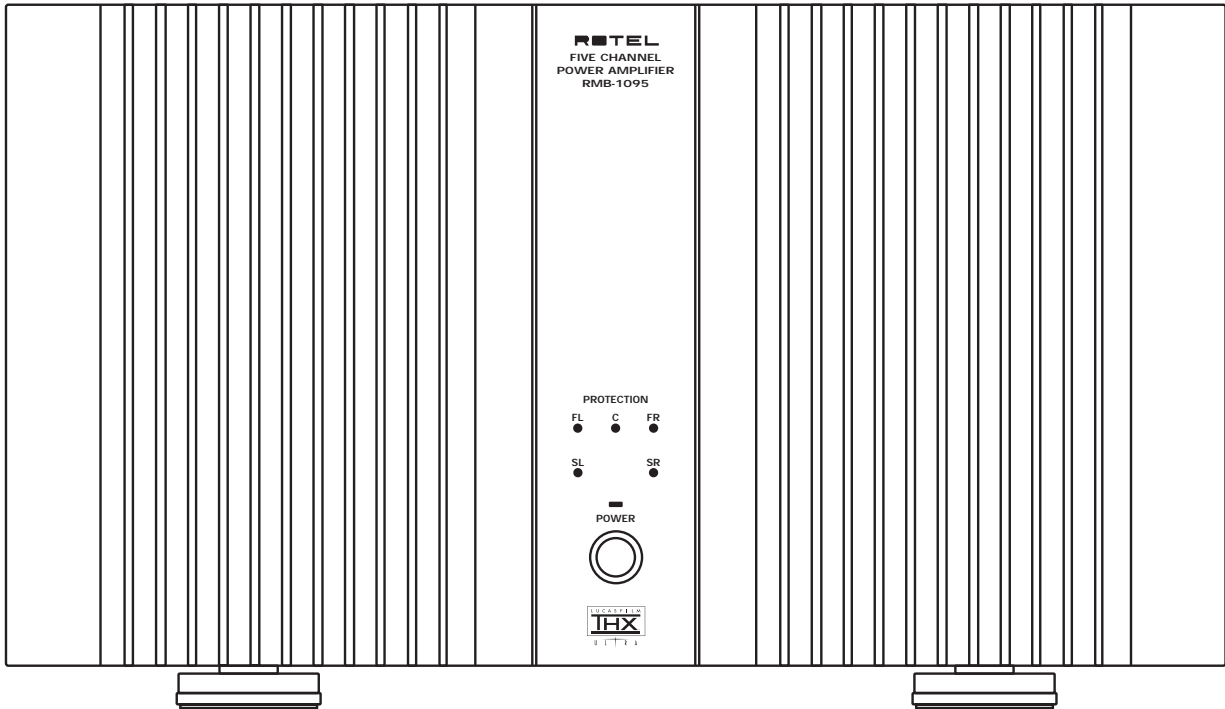
- Specification.....1
- Parts List2 ~ 7
- Adjustment.....8
- PCB Assembly9 ~ 10
- Schematic Diagram.....11 ~ 12

Specification

Continuous Power Output (20-20kHz, < 0.03%)	200 wats/ch into 8 ohms
DIN Power Output (1kHz, 1%)	330 wats/ch into 4 ohms
Total Harmonic Distortion (20Hz-20kHz, 8 ohms)	< 0.03 %
Intermodulation Distortion (60Hz : 7kHz, 4:1)	< 0.03 %
Frequency Response (0.5dB, -3 dB)	15 Hz - 100 KHz
Damping Factor (20-20,000kHz, 8 ohms)	400
Speaker Impedance	4 ohms minimum
Signal to Noise Ratio (IHF A network)	116 dB
Input Impedance / Sensitivity	33 k ohms / 1.5 volt (unbalanced) 33 k ohms / 1.5 volt (balanced)
Power Requirement	115 volts 60 Hz (U.S. version) 230 volts 50 Hz (European version)
Power Consumption	800 watts
Dimensions (W x H x D)	440 x 240 x 398 mm 173/8 x 91/2 x 153/4 inches
Weight (net)	34 kg, 75 lb.

THE ROTEL CO., LTD
 SHINSEN-BLD. 4F 10-10 SHINSEN-CHO, SHIBUYA-KU,
 TOKYO 150-0045, JAPAN

Serial. NO. 1201001 - 2021200



SYMBOL	PARTS NO.	DESCRIPTION
016 X-1274B01-03 PCB ASSY		
	501 X-1274-B	PCB ASSY
IC101,201,301,401,501	031 NE5534AN	IC (OPE AMP)
Q107,207,307,407,507	033 A1209-ST	TRANSISTOR 2SA1209-ST
Q108,208,308,408,508	033 C2911-ST	TRANSISTOR 2SC2911-ST
Q104-106,204-206,304-306,404-406,504-506	033 TA1016-FG	TRANSISTOR 2SA1016KAA-FG
Q101-103,201-203,301-303,401-403,501-503	033 TC2362-FG	TRANSISTOR 2SC2362KAA-FG
D101-104,201-204,301-304,401-404,501-504	034 T1N4148-86	DIODE IN4148TAP-50
C107,207,307,407,507	041 35ZA10MTZ	ELECTROLYTIC CAPACITOR 35V10uF
C101,201,301,401,501	041 35ZA4R7MTZ	ELECTROLYTIC CAPACITOR 35V4.7uF
C901-908	041 ALS30S1077XX	ELECTROLYTIC CAPACITOR 80V15000uF
C105,205,305,405,505,110,111,210	041 TEEUFC1E101SB	ELECTROLYTIC CAPACITOR 25V100uF
C211,310,311,410,411,510,511	041 TEEUFC1E101SB	ELECTROLYTIC CAPACITOR 25V100uF
C104,204,304,404,504	044 FSC160V221H	STYROL CAPACITOR 160V220pF
C108,208,308,408,508	044 FSC160V331H	STYROL CAPACITOR 160V330pF
C103,203,303,403,503	044 FSC160V471H	STYROL CAPACITOR 160V470pF
C119,219,319,419,519	044 KT18-2A104K	M.P CAPACITOR MKT1818-410/015
C109,209,309,409,509	044 S50V100PJ	STYROL CAPACITOR 50V100pF(J)
C102,202,302,402,502	044 TFKP2-2A681H	P.P CAPACITOR FKP2-100V681H
VR101,102,201,202,301,302,401,402,501,502	051 SFR002-222	SEMI-FIXED RESISTOR VM6CKPV1S-2.2K
R109,209,309,409,509	054 1WS10JF	MOF RESISTOR 1W 10
R166,266,366,466,566	054 2WS10JF	MOF RESISTOR 2W 10
R134,234,334,434,534	054 TMF3300	MOF RESISTOR 1/4W 330
R101,122,137,201,222,237,301,322	054 TMFR4001K	METAL FILM RESISTOR 1/4W 1K
R337,401,422,437,501,522,537	054 TMFR4001K	METAL FILM RESISTOR 1/4W 1K
R117,217,317,417,517	054 TMFR4001M	METAL FILM RESISTOR 1/4W 1M
R120,121,220,221,320,321,420,421,520,521	054 TMFR4010K	METAL FILM RESISTOR 1/4W 10K
R104-107,204-207,304-307,404-407,504-507	054 TMFR401K5	METAL FILM RESISTOR 1/4W 1.5
R118,119,218,219,318,319,418,419,518,519	054 TMFR4022K	METAL FILM RESISTOR 1/4W 22K
R102,202,302,402,502	054 TMFR4033K	METAL FILM RESISTOR 1/4W 33K
R116,216,316,416,516	054 TMFR403K9	METAL FILM RESISTOR 1/4W 3.9
R112,212,312,412,512	054 TMFR4047K	METAL FILM RESISTOR 1/4W 47K
R115,215,315,415,515	054 TMFR406K8	METAL FILM RESISTOR 1/4W 6.8K
R135,136,235,236,335,336,435,436,535,536	054 TMFR4100K	METAL FILM RESISTOR 1/4W 100K
R113,114,213,214,313,314,413,414,513,514	054 TMFR4100R	METAL FILM RESISTOR 1/4W 100
R133,233,333,433,533	054 TMFR415K4	METAL FILM RESISTOR 1/4W 15.4K
R110,111,210,211,310,311,410,411,510,511	054 TMFR4220R	METAL FILM RESISTOR 1/4W 220
R103,203,303,403,503	054 TMFR4470R	METAL FILM RESISTOR 1/4W 470
R108,208,308,408,508	054 TMFR4560R	METAL FILM RESISTOR 1/4W 560
DJ1-DJ5	066 C-4575A01	3P CANNON JACK(FEMALE) YKF52-5006
PJ1-PJ5	066 4TR-2487#23	1P PIN JACK AU (BLACK) SWITCH
E7	068 C-3681#1	WRAPPING TERMINAL 2P
GND	069 C-4446A00	PCB TERMINAL Y-105
016 X-1275B01-07 PCB ASSY		
	501 X-1275-B	PCB ASSY
IC102,302,402	031 UPC1237HA	I C (PROTECTION)
Q902	033 B631-EF	TRANSISTOR 2SB631K-EF
Q901	033 D600-EF	TRANSISTOR 2SD600-EF
Q120,121,220,221,320,321,420,421,520,521	033 TA1016-FG	TRANSISTOR 2SA1016KAA-FG
Q110,210,310,410,510	033 TA1208-RST	TRANSISTOR 2SA1208AE-RST
Q181,183,281,283,381,383,481,483,581,583	033 TA1376A-LKU	TRANSISTOR 2SA1376AT-LKU
Q119,122,219,319,322,419,422,519	033 TC2362-FG	TRANSISTOR 2SC2362KAA-FG
Q109,209,309,409,509	033 TC2910-RST	TRANSISTOR 2SC2910AE-RST
Q182,184,282,284,382,384,482,484,582,584	033 TC3478A-LKU	TRANSISTOR 2SC3478AT-LKU
D107,108,207,307,407,507,181	034 T1N4148-86	DIODE IN4148TAP-50
D182,281,282,381,382,481,482,581,582	034 T1N4148-86	DIODE IN4148TAP-50
D105,106,205,206,305,306	034 TIN4003-TB	DIODE IN4003-E
D405,406,505,506,904	034 TIN4003-TB	DIODE IN4003-E
D906,907	034 TRD16JST1	ZENER DIODE 16V (AB2)

Parts List 2/4

SYMBOL	PARTS NO.	DESCRIPTION
TH101,201,301,401,501	034 TTC-503	THERMISTER 50K
D903	034 W02M	POWER DIODE 1.5A 200V
F101,102,201,202,301,302,401,402,501,502	036 5ST6.3	FUSE 250VT6.3A
C912,913	041 25BGF470M	ELECTROLYTIC CAPACITOR 25V470uF
C121,321,421	041 TUTES1E221-TF	ELECTROLYTIC CAPACITOR 25V220uF
C123,323,423	041 TUTES1E470-TF	ELECTROLYTIC CAPACITOR 25V47uF
C120,220,320,420,520	041 TUTES1H100-TF	ELECTROLYTIC CAPACITOR 50V10uF
C122,322,422	041 TUTES1H4R7-TF	ELECTROLYTIC CAPACITOR 50V4.7uF
C909,910	041 TUTES1J221-TS	ELECTROLYTIC CAPACITOR 63V220uF
C117,118,217,218,317,318,417,418,517,518	041 VX2A102S	ELECTROLYTIC CAPACITOR 100V1000uF
C124,324,424	042 TP50V223J	MYLAR CAPACITOR 0.022uF
C113,114,213,214,313,314,413,414,513,514	044 FSC160V561H	STYROL CAPACITOR 160V560pF
R161,461	054 1WS390JF	MOF RESISTOR 1W 390
R361	054 1WS470JF	MOF RESISTOR 1W 470
R164,165,264,265,364,365,464,465,564,565	054 2WS6.8KJF	MOF RESISTOR 2W 6.8K
R184-187,284-287,384-387	054 MF16-1001-A	MOF RESISTOR 1/6W 1K
R484,486,487,584-587	054 MF16-1001-A	MOF RESISTOR 1/6W 1K
R181,182,189,190,281,282,289,290,381	054 MF16-22R0-A	MOF RESISTOR 1/6W 22
R382,389,390,481,482,489,582,589	054 MF16-22R0-A	MOF RESISTOR 1/6W 22
R183,188,283,288,383,388,483,488,583,588	054 MF16-6801-A	MOF RESISTOR 1/6W 6.8K
R127-132,227-232,327-332,427-432,527-532	054 NIR2-0.22JF	NIR RESISTOR 2W 0.22
R160,360,460	054 TMF1002	METAL FILM RESISTOR 1/4W 10K
R155,156,255,355,356,455,456,555	054 TMF1003	METAL FILM RESISTOR 1/4W 100K
R149,249,349,449,549	054 TMF1201	METAL FILM RESISTOR 1/4W 1.2K
R157,257,357,457,557	054 TMF1203	METAL FILM RESISTOR 1/4W 120K
R150,159,250,350,359,450,459,550	054 TMF1502	METAL FILM RESISTOR 1/4W 15K
R167,267,367,467,567	054 TMF2201	METAL FILM RESISTOR 1/4W 2.2K
R148,248,348,448,548	054 TMF2202	METAL FILM RESISTOR 1/4W 22K
R162,362,462	054 TMF2203	METAL FILM RESISTOR 1/4W 220K
R163,463	054 TMF3301	METAL FILM RESISTOR 1/4W 3.3K
R152,252,352,452,552	054 TMF3302	METAL FILM RESISTOR 1/4W 33K
R147,247,347,447,547	054 TMF3900	METAL FILM RESISTOR 1/4W 390
R153,253,353,453,553	054 TMF4701	METAL FILM RESISTOR 1/4W 4.7K
R154,254,354,454,554	054 TMF4702	METAL FILM RESISTOR 1/4W 47K
R151,251,351,451,551	054 TMF5600	METAL FILM RESISTOR 1/4W 560
R363,903	054 TMF6801	METAL FILM RESISTOR 1/4W 6.8K
R158,358,458	054 TMF6802	METAL FILM RESISTOR 1/4W 68K
R125,225,325,425,485,525	054 TMFR4001K	METAL FILM RESISTOR 1/4W 1K
R490,581,590	054 TMFR4022R	METAL FILM RESISTOR 1/4W 22
R906,907	054 TMFR402K7	METAL FILM RESISTOR 1/4W 2.7K
R126,226,326,426,526	054 TMFR4047R	METAL FILM RESISTOR 1/4W 47
R123,124,223,224,323,324,423,424,523,524	054 TMFR4220R	METAL FILM RESISTOR 1/4W 220
S001	061 C-4176A07	POWER SWITCHPS3-22-L3AV TV-8
RY101,RY401	063 DE2TU-24	RELAY DE24D2-OT(M) 7A
RY301	063 DH2TU-24	RELAY DH24D2-OT(M) 3A
TP1-5	068 C-3681#1	WRAPPING TERMINAL 2P
CON8	068 C-3683#4	WRAPPING TERMINAL 5P
JK1	068 DBL25SBTK2NS	DB25 FEMALE
P14,P24,P34,P44,P54	069 C-4446A00	PCB TERMINAL
016 X-1291C01-02 PCB ASSY (Trigger, Standby)		
	501 X-1291-C, -D	PCB ASSY (for 022 T-1075N01)
	501 X-1291-E	PCB ASSY (for 022 T-1075N02)
T101	022 T-1075N01	SUB TRANSFORMER (for X-1291C, -D PCB)
T101	022 T-1075N02	SUB TRANSFORMER (for X-1291E PCB)
IC101	031 PC817B	IC (PHOTO COUPLER)
Q101	032 TC3708-ST	TRANSISTOR 2SC3708AA-ST
D102,103,104,105,106	034 TRD12JST1	ZENER DIODE 12V (AB2)
D101	034 W02M	POWER DIODE 1.5A 200V
F101	036 5ST500	FUSE 250VT500MA
C101	041 TUTES1E471-TS	ELECTROLYTIC CAPACITOR 25V470uF

Parts List 3/4

SYMBOL	PARTS NO.	DESCRIPTION
C102	044 DE1307E472M	SPARK KILLER 4700pF
(R103)	053 CR14-152J-A	CARBON RESISTOR 1/4W 1.5K
R102	053 CR14-153J-A	CARBON RESISTOR 1/4W 15K
R105	053 CR14-221J-A	CARBON RESISTOR 1/4W 220
(R103)	053 CR14-472J-A	CARBON RESISTOR 1/4W 4.7K
R101,106	054 1WS100JF	MOF RESISTOR 1W 100
R104	054 1WS1KJF	MOF RESISTOR 1W 1K
RY101	063 OZT-SS-112LM1	RELAY OZT-SS-112LM1 DC12V TV8
TJ101,TJ102	065 YKB21-5103A	3.5Φ MINIATURE JACK (ST)
K104,AC3.AC4	068 C-3681#1	WRAPPING TERMINAL 2P P=5
AC1.AC5,AC2	068 C-4422A01	WRAPPING TERMINAL 2P P=10
016 E-1328A00 PCB ASSY (Surge Absorber)		
	501 E-1328A00	PCB ASSY
TH902	034 SCK0512	SURGE CURRENT THERMISTOR 5Ω
D910	034 TIN4148-86	DIODE 1N4148TAP-50
C920	044 DE1307E472M	SPARK KILLER 4700pF
R901	054 RWH20G10RJ	RESISTOR 20W 10 (for 230V VERSION)
R901	054 RWH20G5RJ	RESISTOR 20W 5 (for 115V VERSION)
RY901	063 OZT-SS-112IM1	RELAY OZT-SS-112LM1 DC12V TV8
TH901	063 UI300B	THERMOSTAT UI-2
TM1, TM4, TM5, TM6	068 C-3683#1	PCB TERMINAL 2P P7.5 TP WE-11 I-752NA
TM2, TM3	068 C-3683#3	WRAPPING PIN TERMINAL 4P
ACN, ACL	069 C-4370A00	PCB TERMINAL Y-102
016 X-1348A00 PCB ASSY (Delay)		
	501 X-1348-A	PCB ASSY
T11	032 TA608-FG	TRANSISTOR 2SA608KAA-FG
T12	032 TC536-FG	TRANSISTOR 2SC536KAA-F
D11	034 TRD4.7JST1	ZENER DIODE 4.7V (AB2)
C11	041 TUTES1H100-TF	ELECTROLYTIC CAPACITOR 50V10uF
R11,12,14	053 CR14-103J-A	CARBON RESISTOR 1/4W10K
R13	053 CR14-334J-A	CARBON RESISTOR 1/4W 330K
K13	068 C-3681#3	WRAPPING TERMINAL 4P
HEAT SINKER ASSEMBLY		
	017 SP4-04A00	HEAT SINKER BOARD
Q123	032 D1953	TRANSISTOR 2SD1953
Q116-118	033 A1943-RO	TRANSISTOR 2SA1943-RO
Q112	033 B817P-DE	TRANSISTOR 2SB817P-DE
Q113-115	033 C5200-RO	TRANSISTOR 2SC5200-RO
Q111	033 D1047P-DE	TRANSISTOR 2SD1047P-DE
	019 TO-126	INSULATION SHEET (S)
	019 TO-3P	INSULATION SHEET (M)
	019 TO-3PL	INSULATION SHEET (L)
	(211~, 311~, 411~, 511~, SAME AS 111~)	
OTHERS		
	011 FP-510-B	BLACK PANEL ASSY
	011 FP-510-S	SILVER PANEL ASSY
	011 SG4-02C00	H/S PANEL
	012 RV4-09A00	PUSH BUTTON 14Φ (BLACK)
	012 RV4-09A01	PUSH BUTTON 14Φ (SILVER)
	013 SG4-05A00	SUB PANEL SUPPORT (BLACK)
	013 SG4-05A01	SUB PANEL SUPPORT (SILVER)
	014 SG3-18A00	UPPER COVER
	015 RP-366B	REAR CHASSIS
	019 C-4418A00	PLASTIC FOOT 26Φ
	019 C-4638A00	CASTER 32Φ
	019 PK4-07A00T	METAL FOOT 60Φ
	019 C-670#18	FELT 56Φ (for METAL FOOT)
	019 RV4-10A00	LED HOLDER + 14Φ BUTTON RING (BLACK)

Parts List 4/4

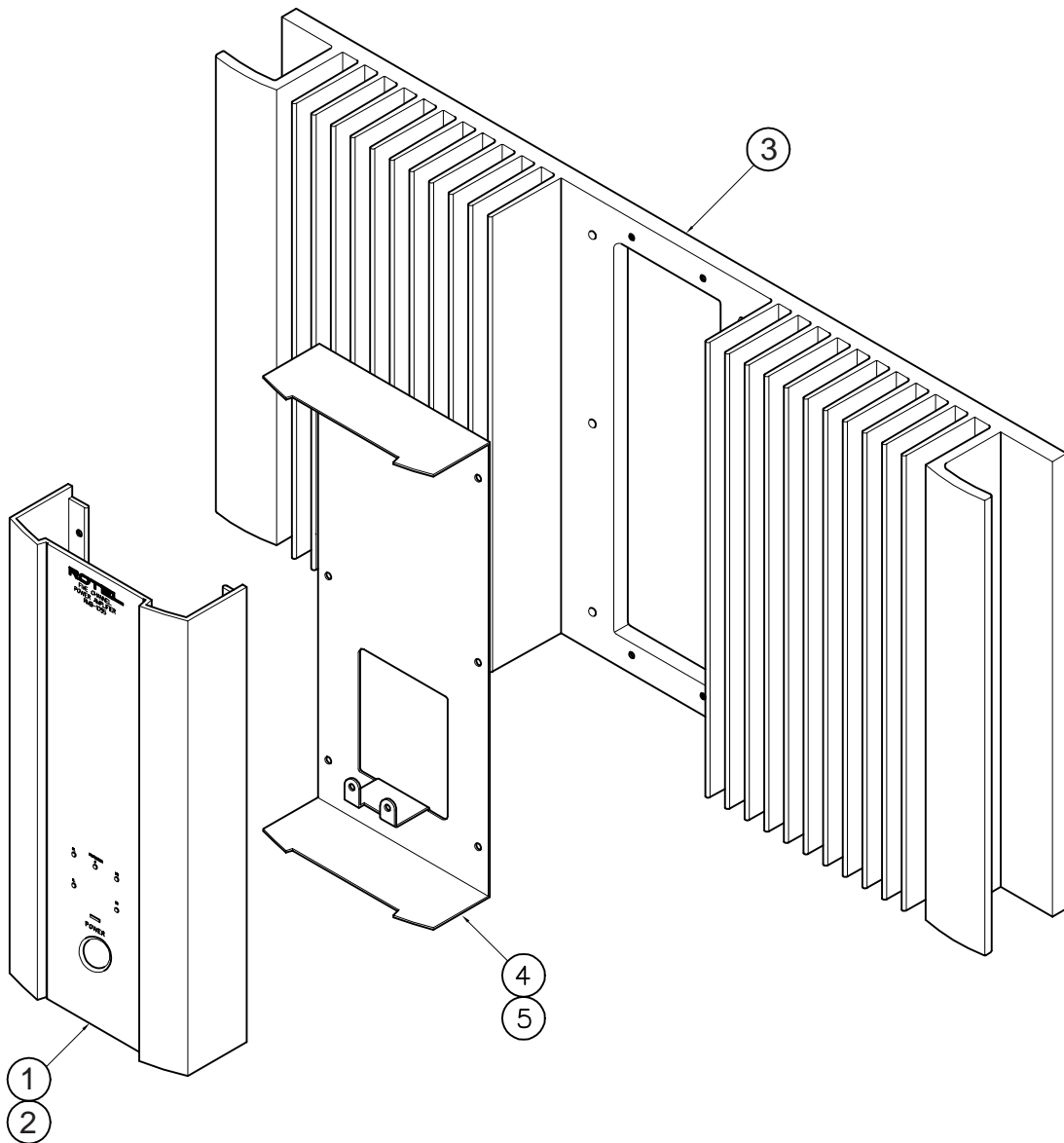
SYMBOL	PARTS NO.	DESCRIPTION
	019 RV4-10A01	LED HOLDER + 14Φ BUTTON RING (SILVER)
T001	022 T-1072U01	POWER TRANSFORMER
T002	022 T-1073U01	POWER TRANSFORMER
D901,902	034 BR254	POWER DIODE 25A 400V
	034 LTL1214A	LED (RED) 2Φ
	034 SEL1124R	LED SEL1124R (RED) 1X5
	034 SEL1E24W	LED SEL1E24W (BLU) 1X5
SP1,SP2,SP3	067 C-4717A01	SPEAKER TERMINAL (RED)
SP1,SP2,SP3	067 C-4717A02	SPEAKER TERMINAL (BLACK)
	069 C-4637A00	AC 3P INLET 0707-1-CW
	072 C-4392A04	AC CORD SET for USA
	072 C-4393A03	AC CORD SET for EUROPE
	072 C-4423A03	AC CORD SET for RUSTRALIA
	072 C-4639A01	AC CORD SET for UK
	081 SP3-11B01	INSIDE CARTON
	081 SP3-12B01	SHIPPING CARTON
	081 SG4-24A00	PACKING (for INSIDE CARTON)
	081 Z-200	STYROL MOULDING
	082 OMRMB-1095-V01	OWNER'S MANUAL(EFGISD)

Addendum List for Black and Silver

RMB1095

SYMBOL	PARTS	DESCRIPTION
--------	-------	-------------

①	506 RMB-1095-BK	BLACK PANEL ASSY
②	506 RMB-1095-SV	SILVER PANEL ASSY
③	011 SP4-01B00	H/S PANEL H221
	012 RV4-09A00	PUSH BUTTON 14F (BLK)
	012 RV4-09A01	PUSH BUTTON 14F (SLV)
④	013 SG4-05A00	SUB PANEL CHASSIS (BLK)
⑤	013 SG4-05A01	SUB PANEL CHASSIS (SLV)
	034 SEL1124R	LED (RED) 1X5
	034 SEL1E24W	LED (BLU) 1X5



Adjustment

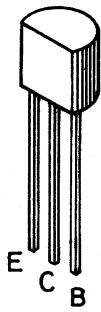
RMB-1095

Instruments : DC milli-voltmeter

Notes : Prior to Bias Adjustment, run about 5minutes with rated output(8ohms) and warm up Power Transistor and Heat Sink. Set input off.

Step	Coupling Location	Adjust Location	Adjust for
1	CH 1 OUT	X-1274-01 PCB VR102	DC milli-voltmeter reads 0mV
2	CH 2 OUT	X-1274-01 PCB VR202	
3	CH 3 OUT	X-1274-01 PCB VR302	
4	CH 4 OUT	X-1274-01 PCB VR402	
5	CH 5 OUT	X-1274-01 PCB VR502	
6	X-1275-01 PCB TP1	X-1274-01 PCB VR101	DC milli-voltmeter reads 5mV
7	X-1275-01 PCB TP2	X-1274-01 PCB VR201	
8	X-1275-03 PCB TP3	X-1274-01 PCB VR301	
9	X-1275-02 PCB TP4	X-1274-01 PCB VR401	
10	X-1275-02 PCB TP5	X-1274-01 PCB VR501	

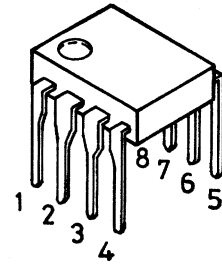
Case Outline



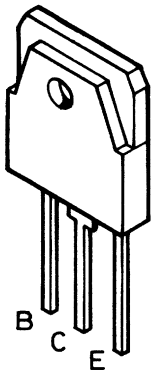
2SA608K
2SA1016K
2SA1376A
2SC536K
2SC2362K
2SC3478A
2SA1208
2SC2910
2SC3708



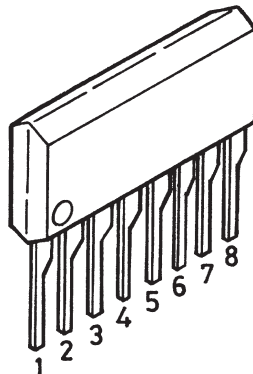
2SC2911
2SA1209
2SB631K
2SD1953
2SD600K



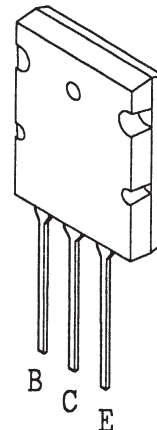
NE5534AN



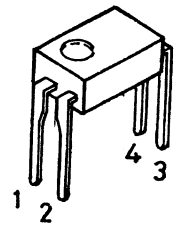
2SB817
2SD1047



UPC1237HA

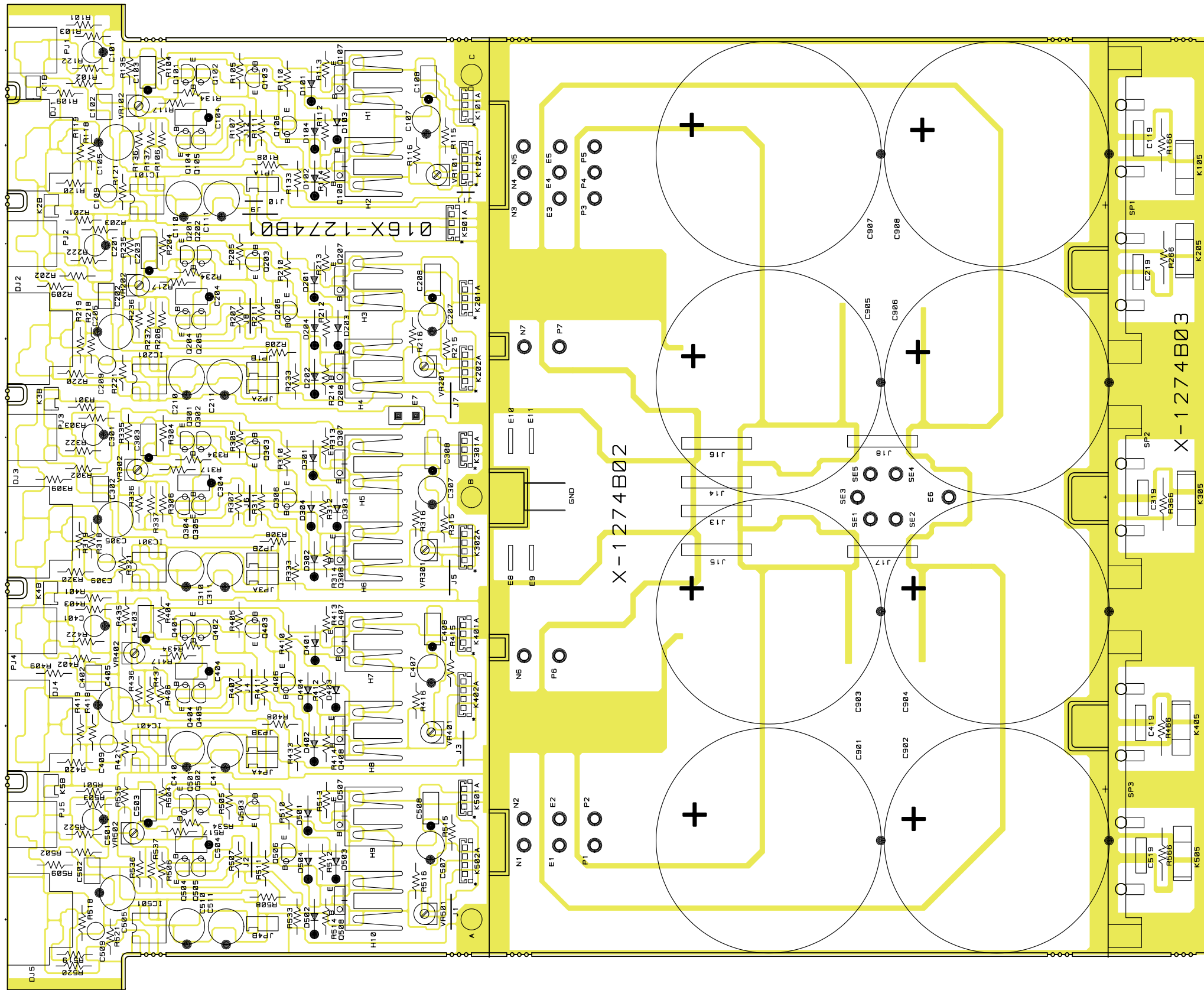


2SA1943
2SC5200

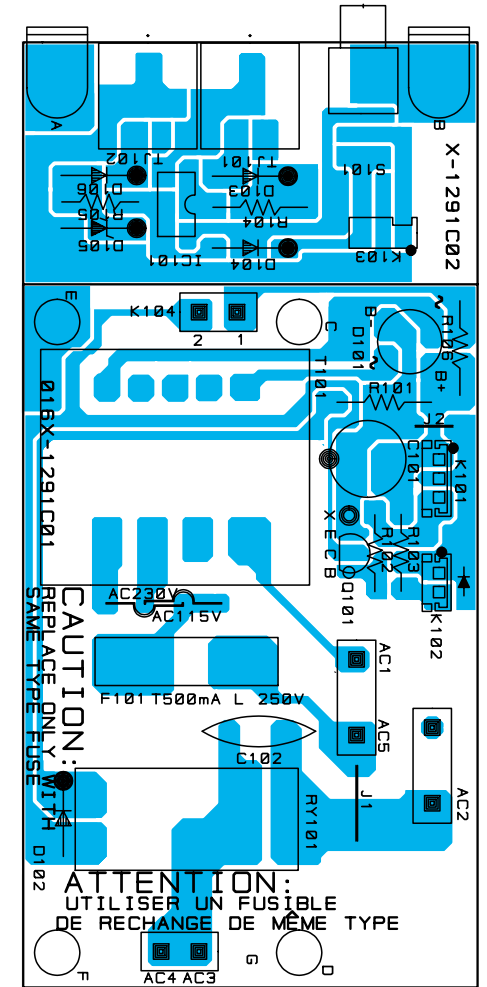


PC817B

016 X-1274B

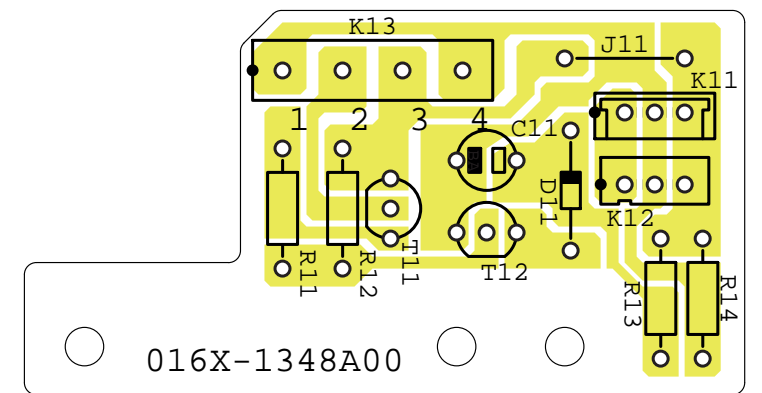


016 X-1291C

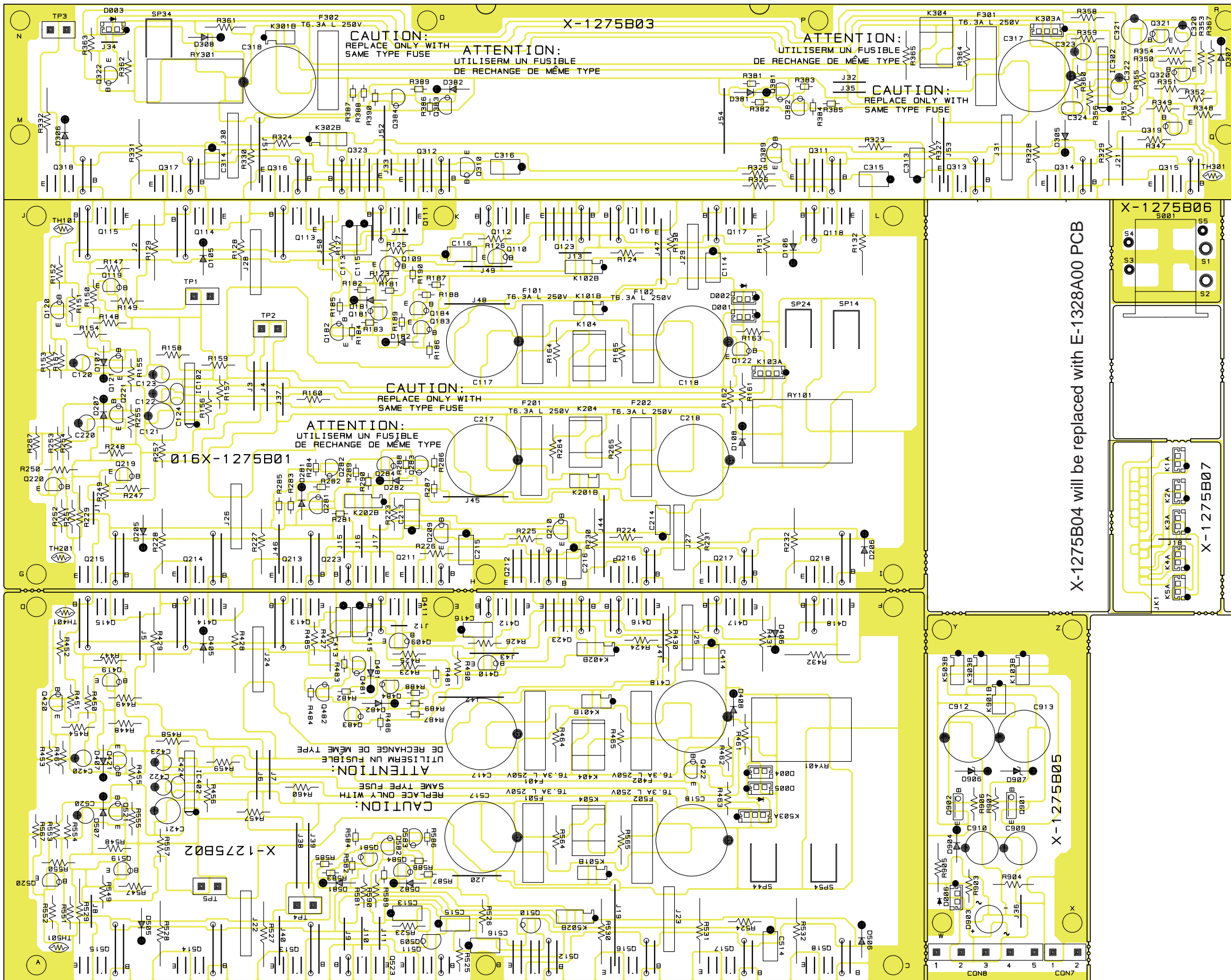


CAUTION: REPLACE ONLY WITH SAME TYPE FUSE
 ATTENTION: UTILISER UN FUSIBLE DE RECHANGE DE MEME TYPE

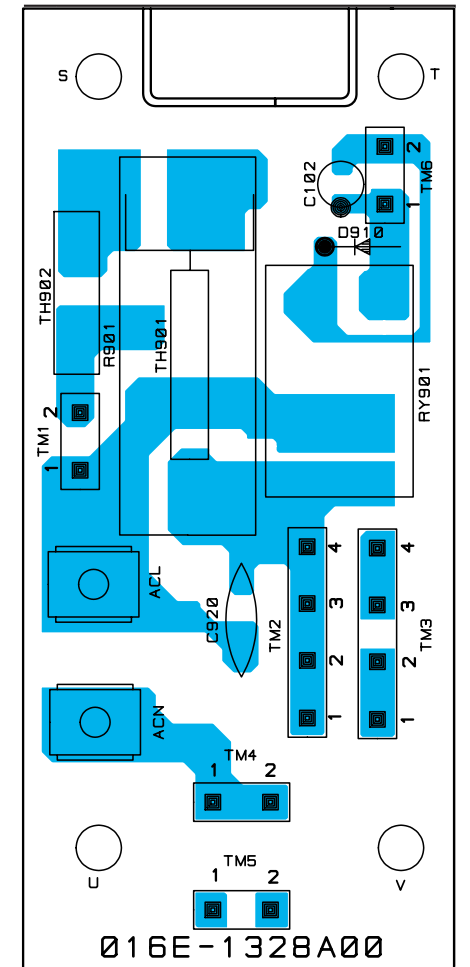
016 X-1348A



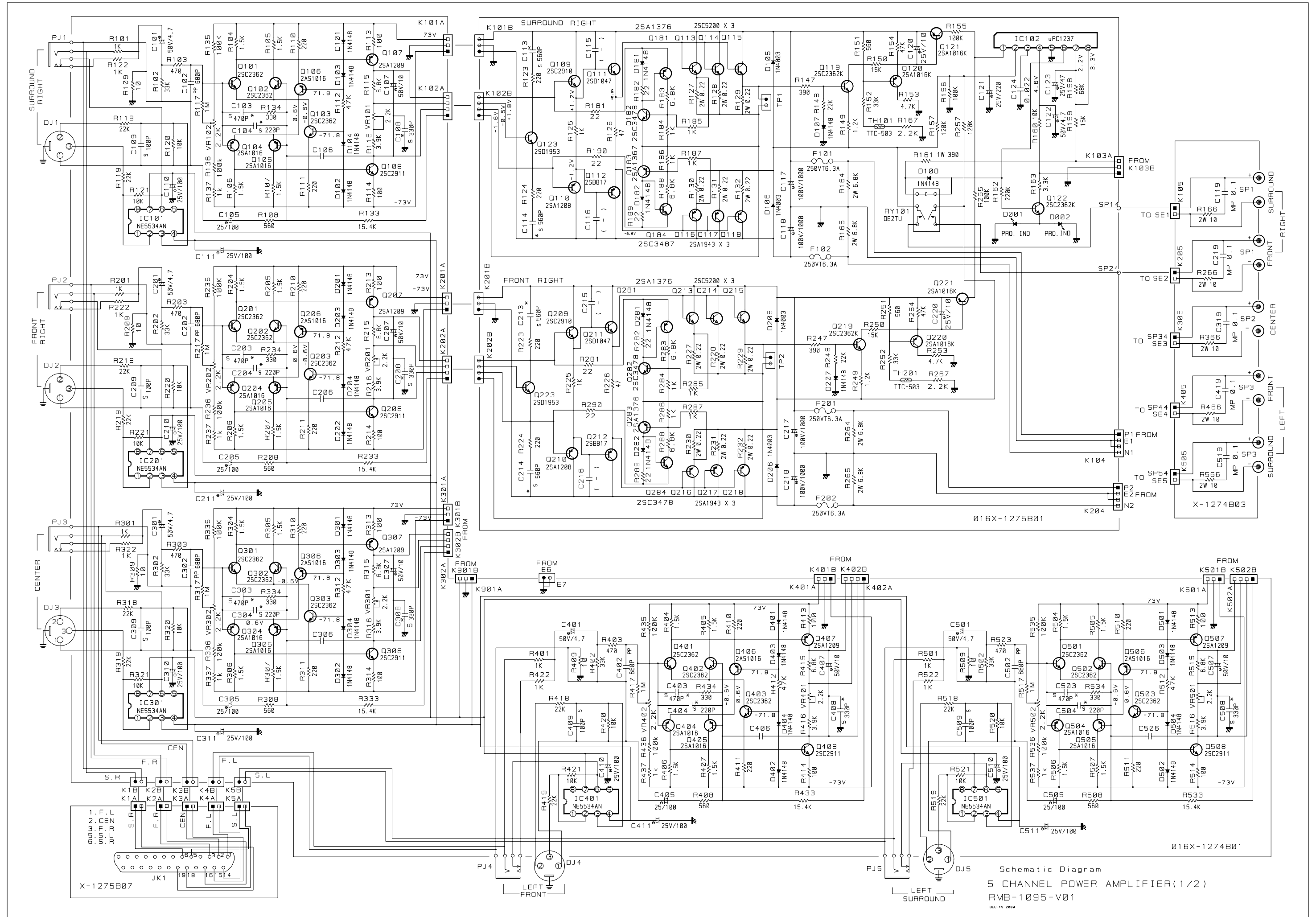
016 X-1275B01 -07

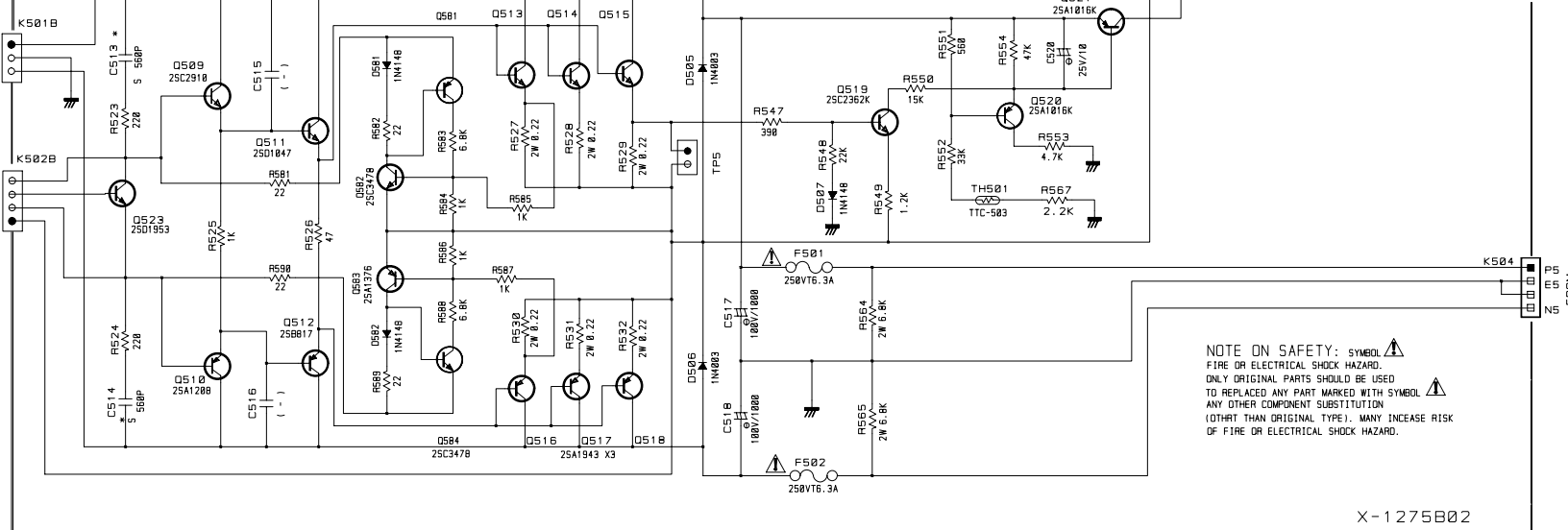
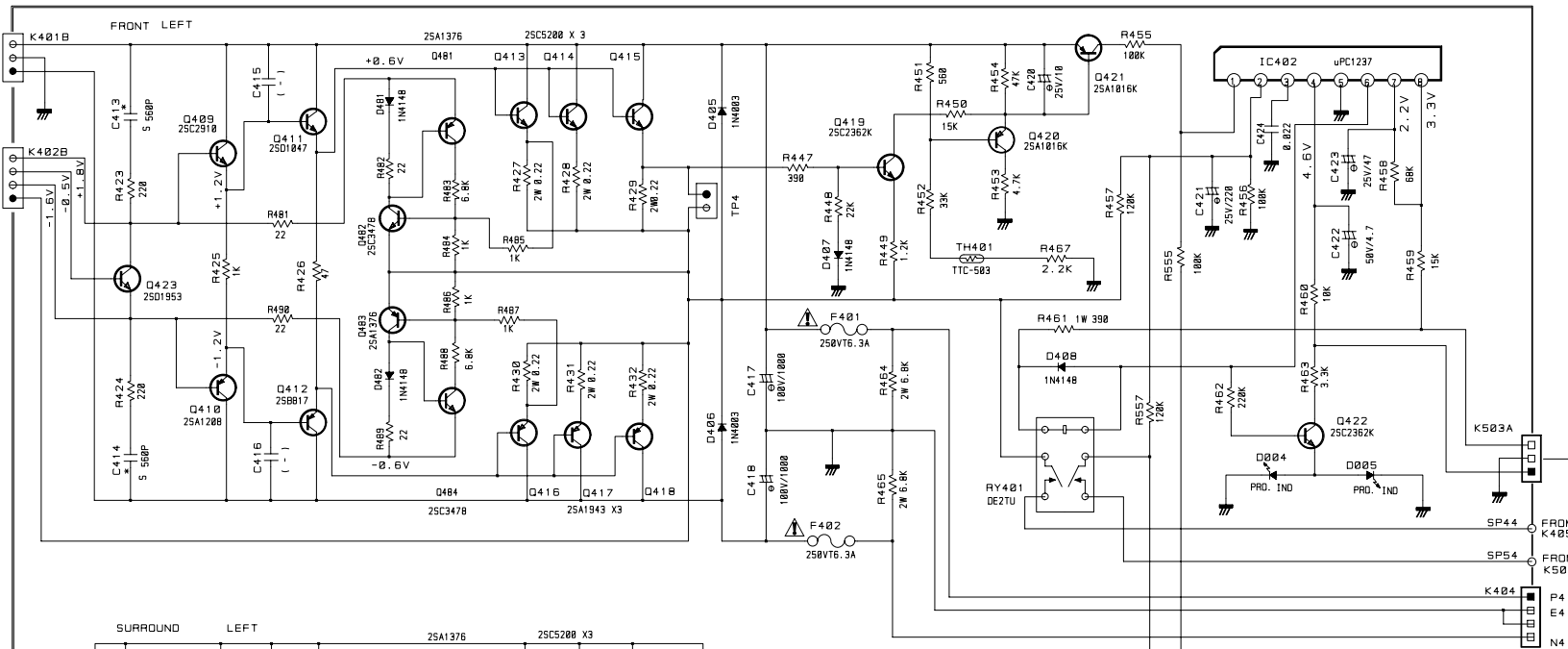
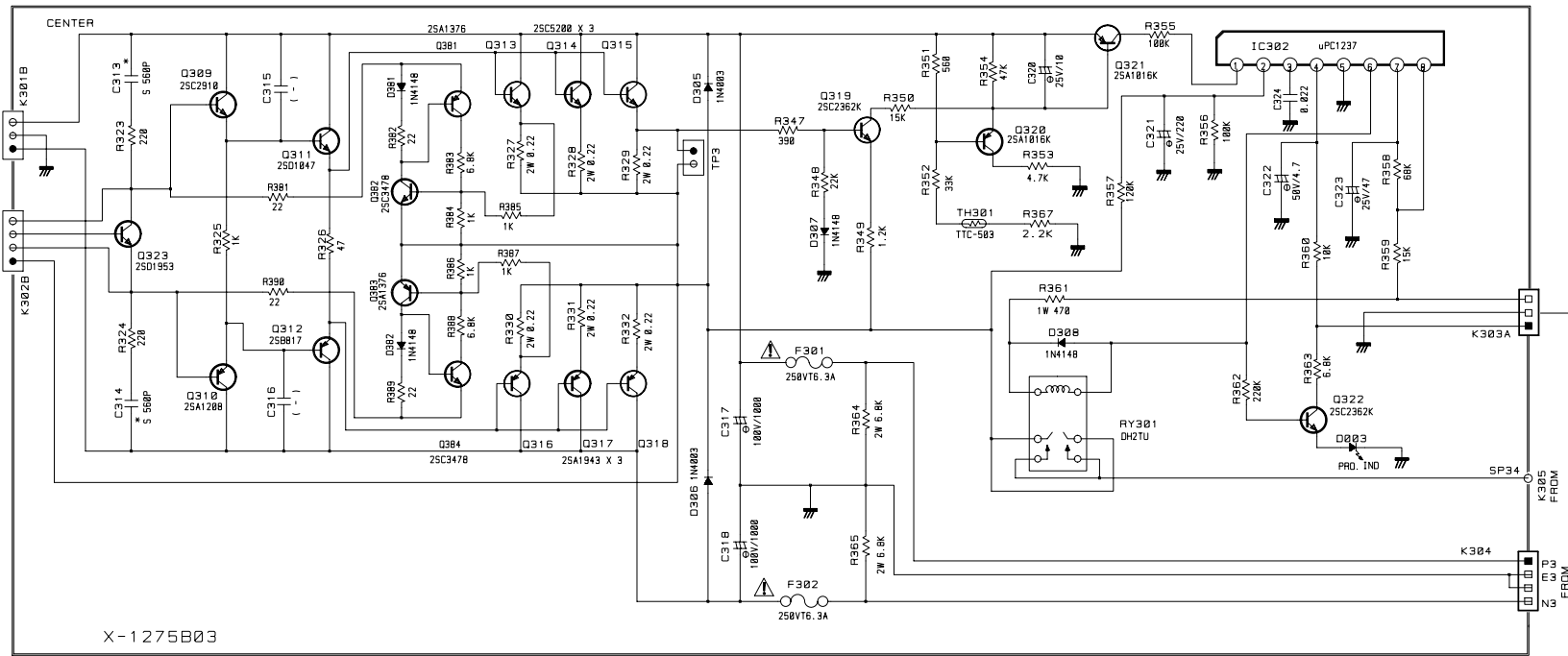


016 E-1328A00



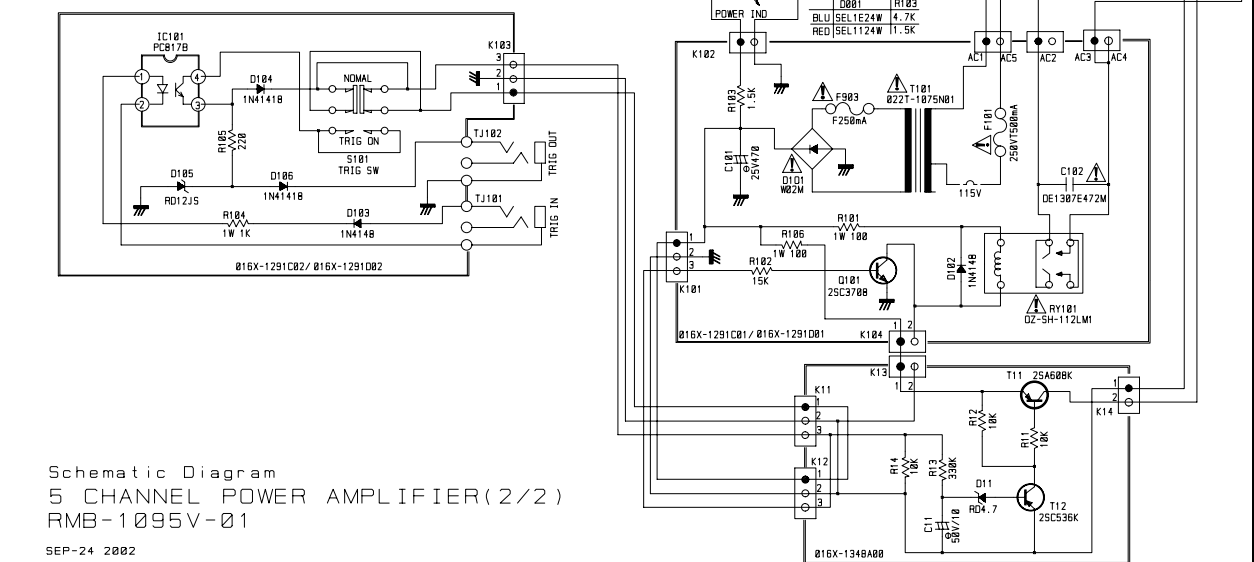
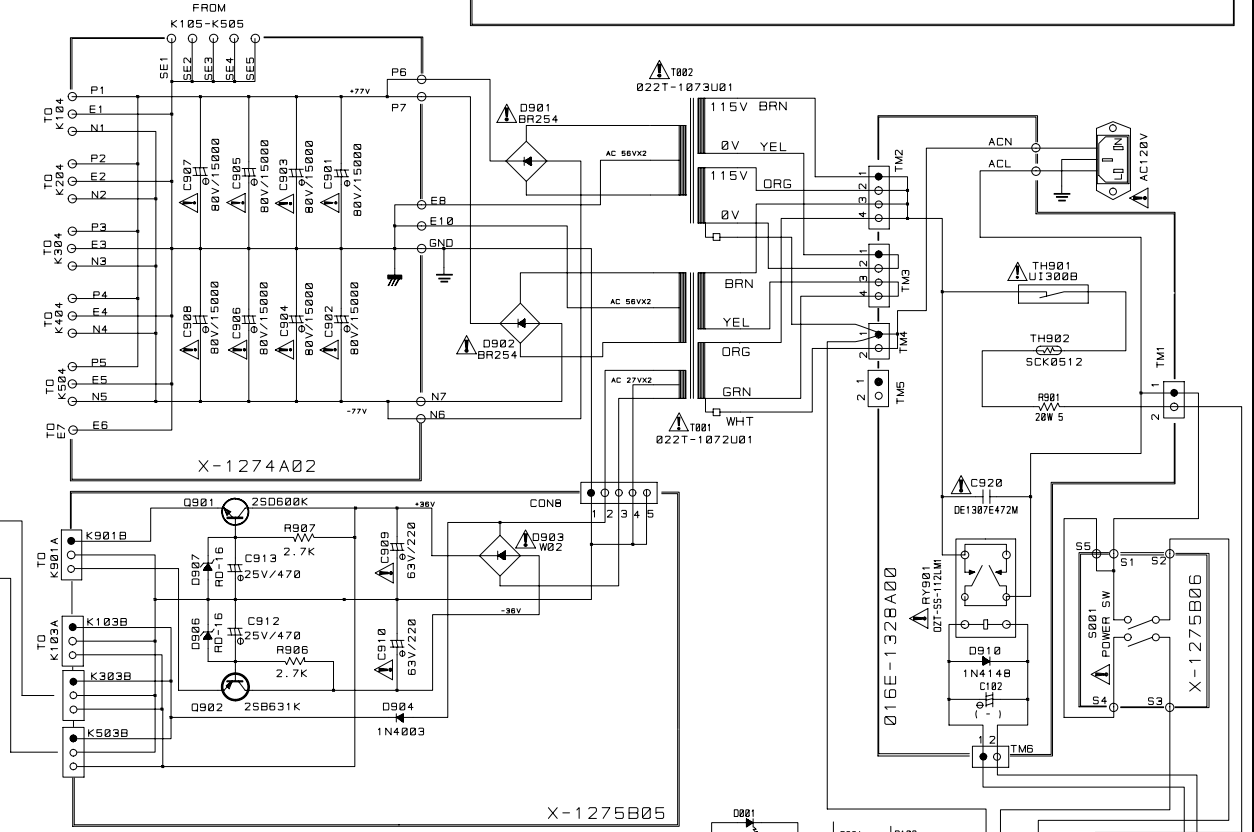
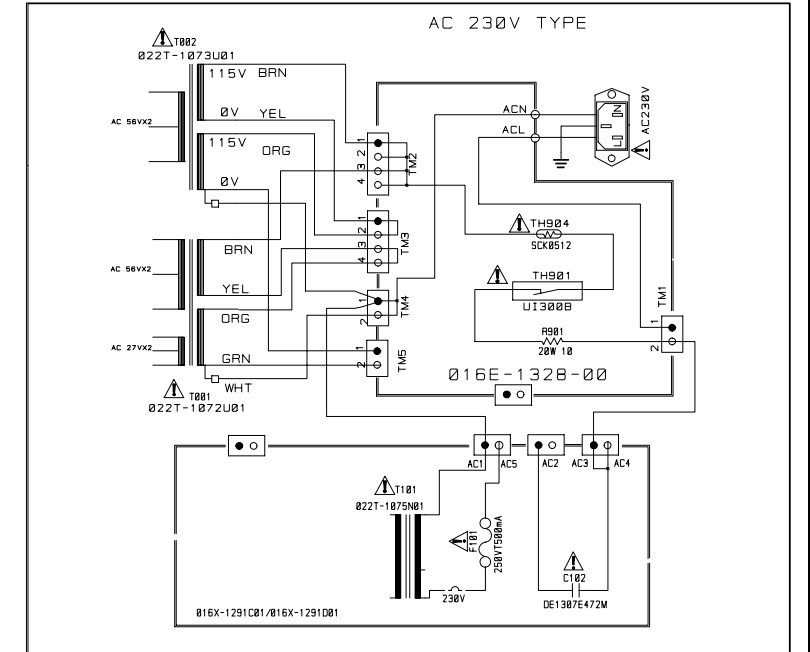
X-1275B04 will be replaced with E-1328A00 PCB





NOTE ON SAFETY: SYMBOL ⚡
 FIRE OR ELECTRICAL SHOCK HAZARD.
 ONLY ORIGINAL PARTS SHOULD BE USED
 TO REPLACE ANY PART MARKED WITH SYMBOL ⚡
 ANY OTHER COMPONENT SUBSTITUTION
 (OTHER THAN ORIGINAL TYPE), MAY INCREASE RISK
 OF FIRE OR ELECTRICAL SHOCK HAZARD.

X-1275B02



Schematic Diagram
 5 CHANNEL POWER AMPLIFIER (2/2)
 RMB-1095V-01

SEP-24 2002