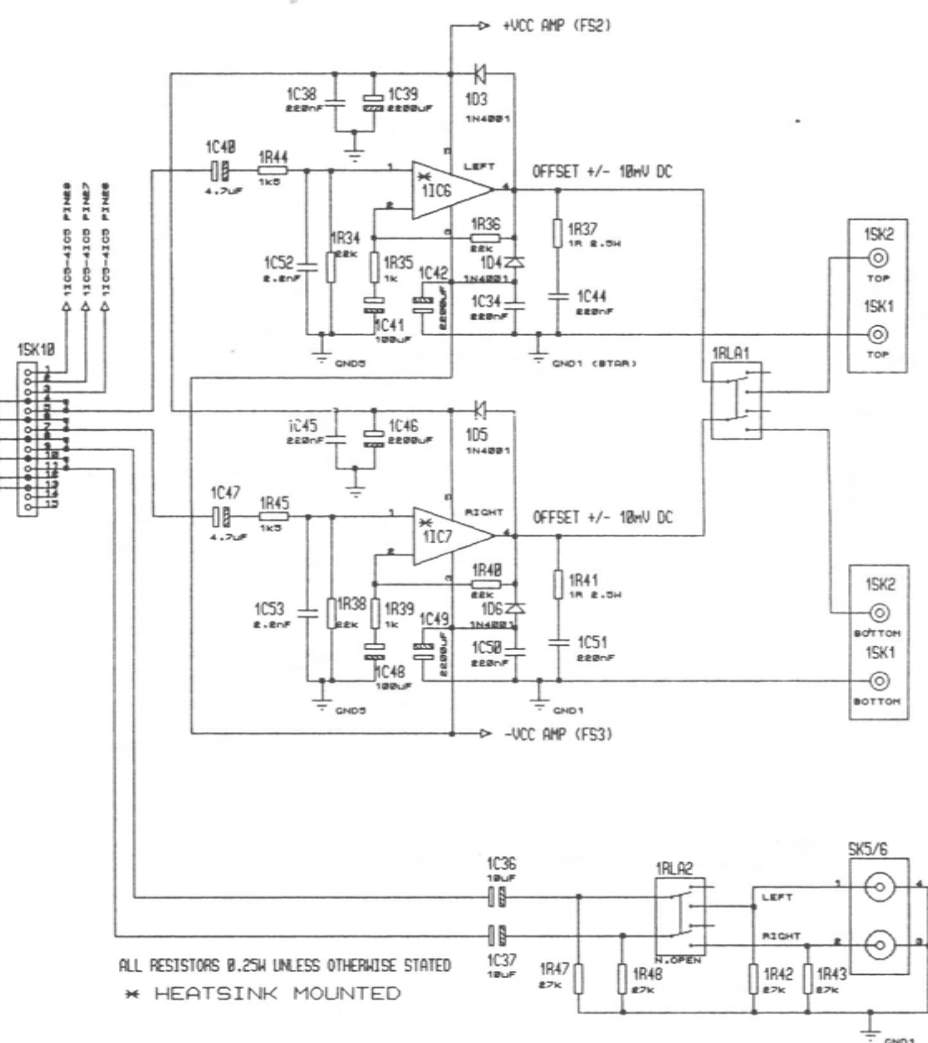
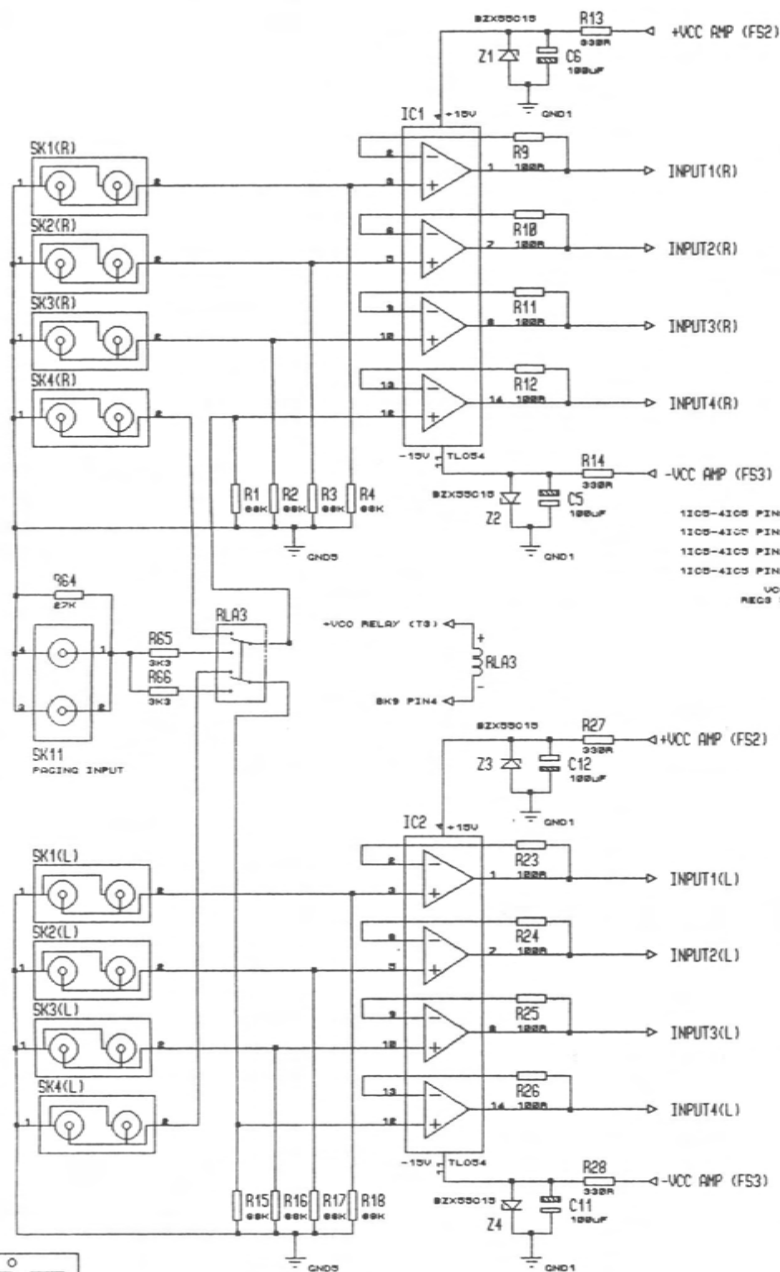


INPUT BUFFERS COMMON TO ALL TDA7318 IC'S

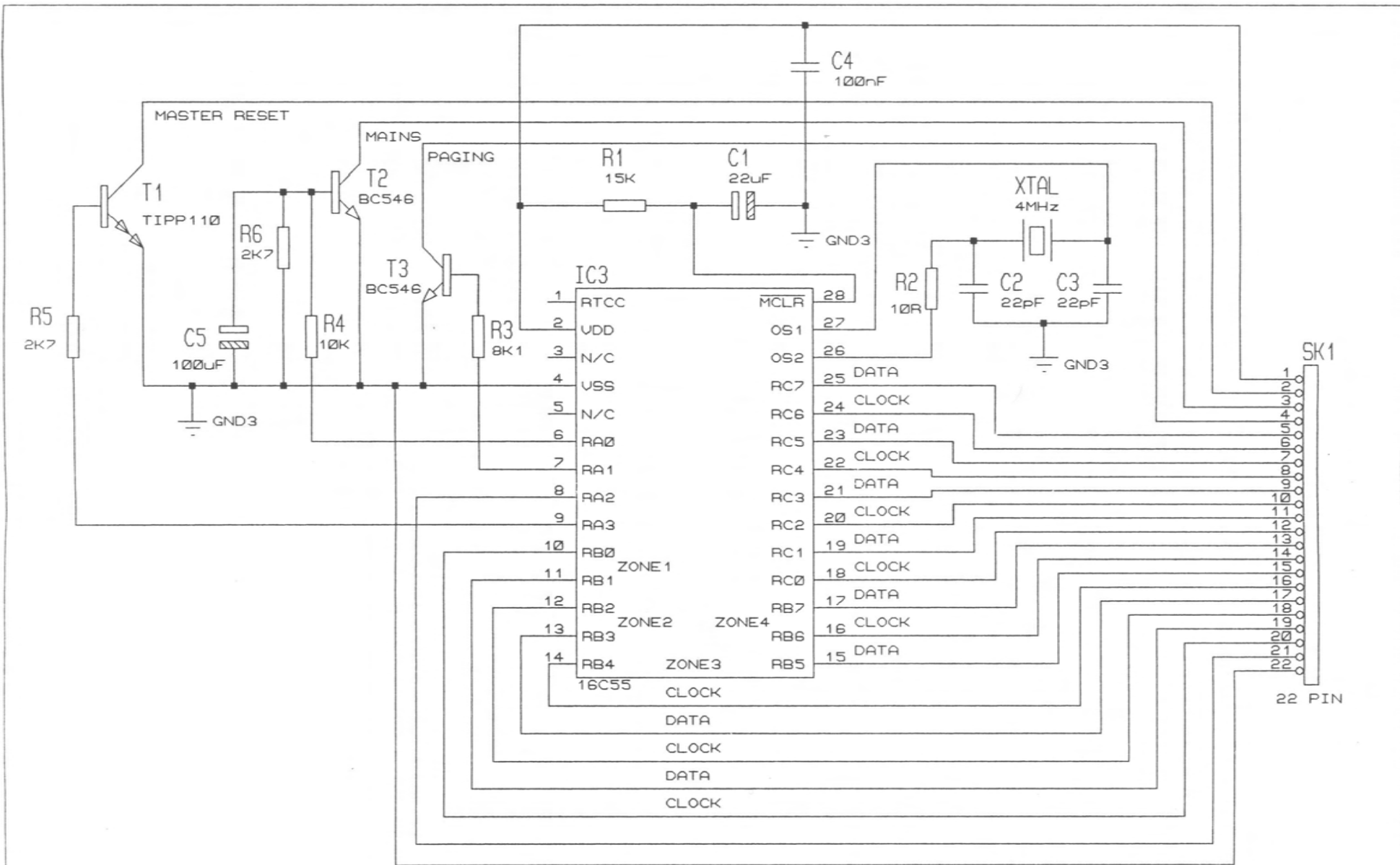


ALL RESISTORS 0.25W UNLESS OTHERWISE STATED  
 \* HEATSINK MOUNTED

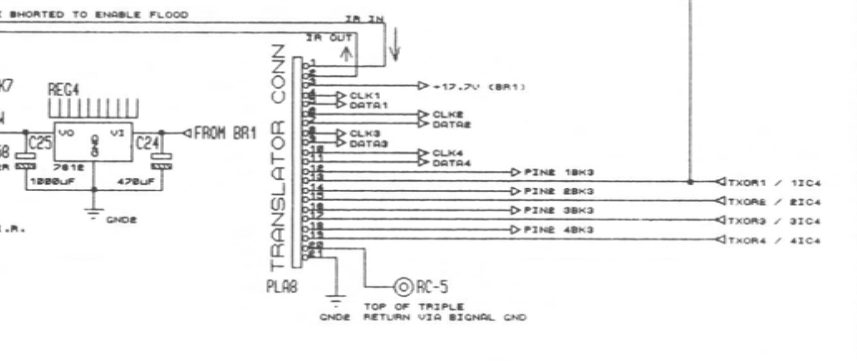
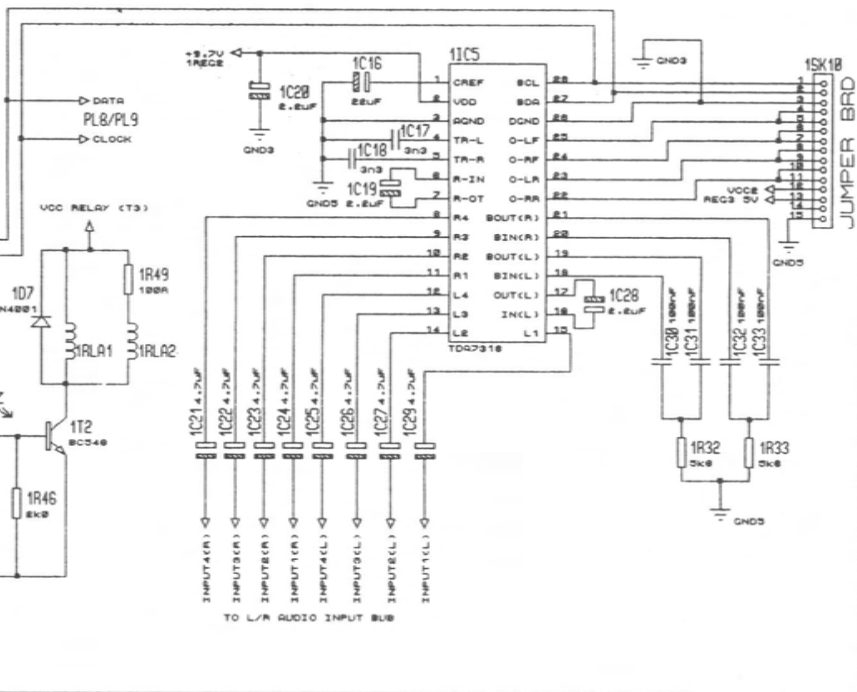
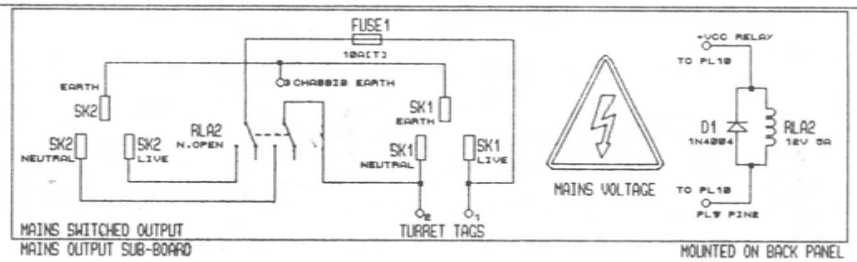
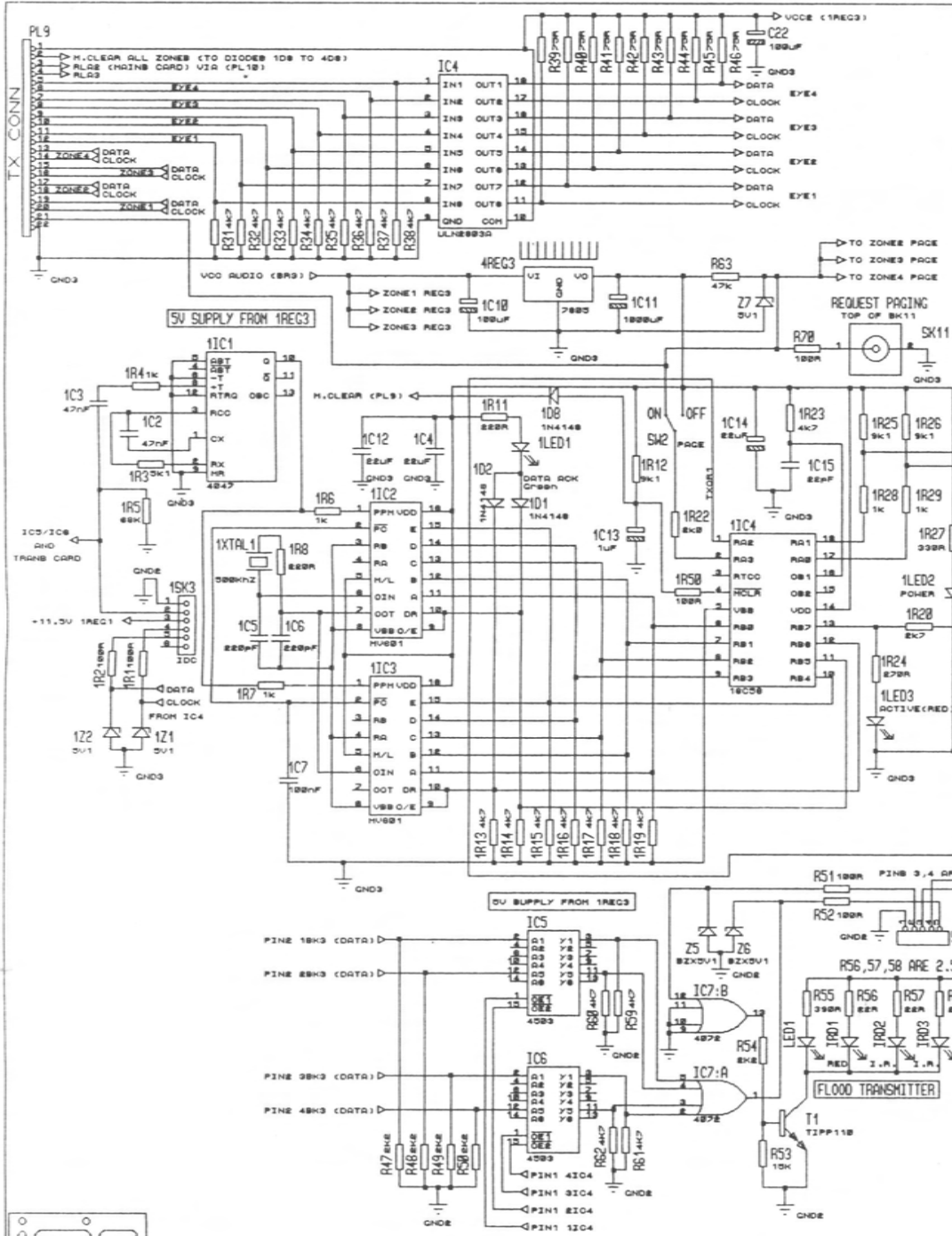


TITLE:	Pre Amp / Power Amp Stages	CREATED:	06-Mar-96
FILE:	ANALOG.IDS	MODIFIED:	05-Nov-96
DRAWN BY:	SA Paton		





TITLE: SUPER CONTROLLER TX CARD	CREATED: 04-Mar-96
FILE: TXCARD.IDS	MODIFIED: 17-Jan-97
DRAWN BY: SA PATON	



SUPER CONTROLLER SCC004 ISS R7

TITLE:	SUPER CONTROLLER MOTHERBOARD	CREATED:	15-Mar-96
FILE:	MOTHER.IDS	MODIFIED:	04-Feb-97
DRAWN BY:	SA PATON		