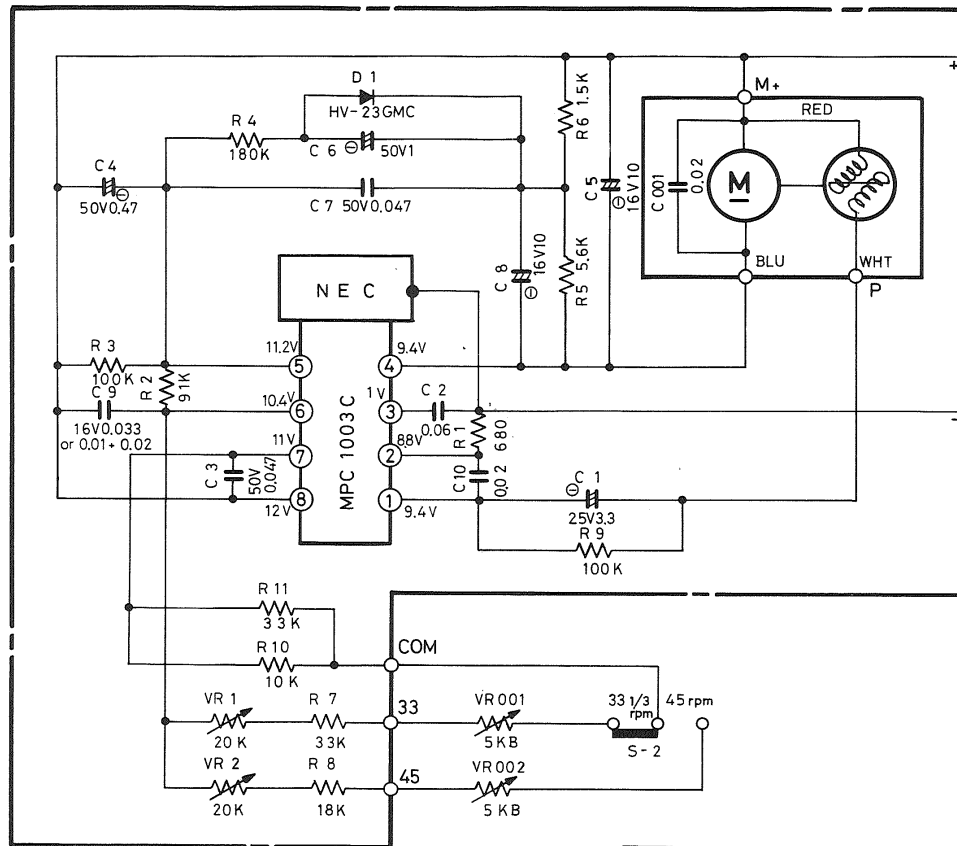


ROTEL[®] MODEL RP-1500 SCHEMATIC DIAGRAM

Printed in Japan T-045-05



(RESISTORS)

- 5% TOLERANCE UNLESS OTHERWISE NOTED
- K--- KILO OHM
- M--- MEGA OHM
- NON MARK--- LOW NOISE TYPE CARBON RESISTORS 1/4 WATT

(CAPACITORS)

- ⊘--- ELECTROLYTIC CAPACITORS
- NON MARK--- CERAMIC CAPACITORS
- UNLESS OTHERWISE NOTED IN SCHEMATIC ALL CAPACITANCE VALUES ARE EXPRESSED IN MFD.
- VOLTAGE READING WITH VTVM FROM THE POINT SHOWN TO THE CHASSIS GROUND (LINE VOLTAGE 120VOLT).
- VOLTAGE READING MAY VARY ±20%.

ITEM	SCHEMATIC LOCATION (LAST)	
MHX 5P 2RVA	R 9	C 10
POWER SUPPLY	R 9 0 1	C 9 0 1
CHASSIS	---	C 0 0 2

