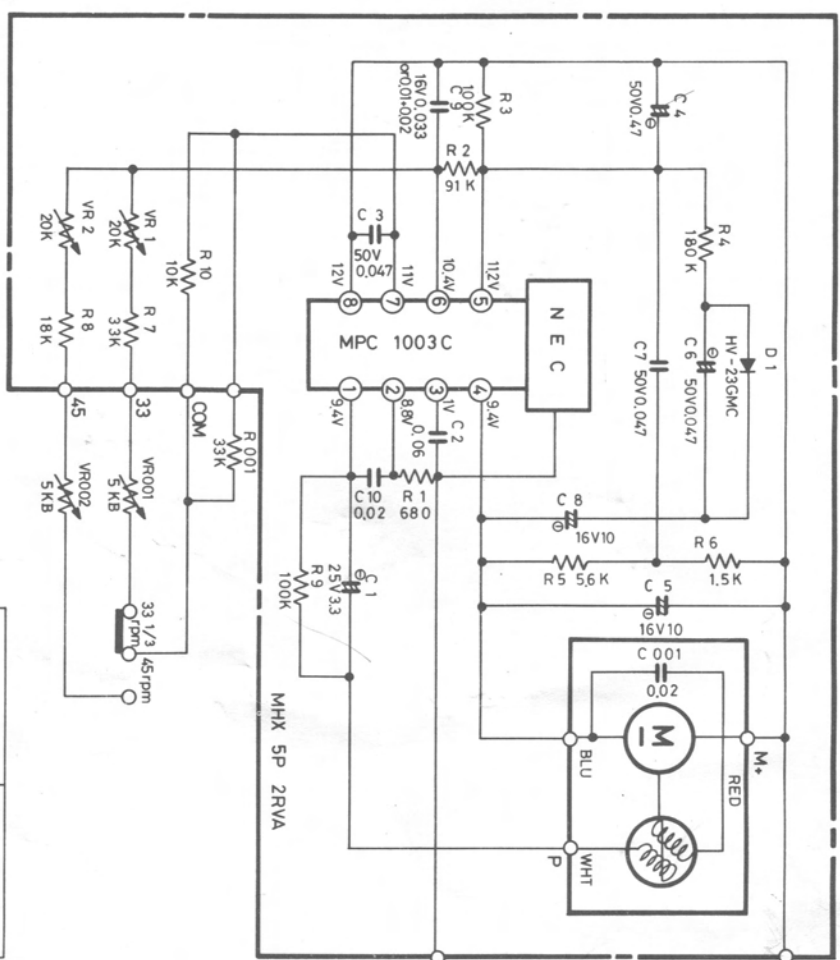


ROTEL[®] MODEL RP-2500 SCHEMATIC DIAGRAM

Printed in Japan T-044-05



(RESISTORS)
 5% TOLERANCE UNLESS OTHERWISE NOTED
 K --- KILO OHM
 M --- MEGA OHM
 NON MARK --- LOW NOISE TYPE CARBON RESISTORS 1/4 WATT
 (CAPACITORS)
 * --- ELECTROLYTIC CAPACITORS
 NON MARK CERAMIC CAPACITORS
 * UNLESS OTHERWISE NOTED IN SCHEMATIC ALL CAPACITANCE VALUES ARE EXPRESSED IN MFD.
 * VOLTAGE READING WITH VTVM FROM THE POINT SHOWN TO THE CHASSIS GROUND (LINE VOLTAGE 120VOLT).
 * VOLTAGE READING MAY VARY ± 20%.

ITEM	SCHEMATIC LOCATION (LAST)
MHX 5P 2RVA	R 10 C 10
POWER SUPPLY	R 901 C 901
CHASSIS	R 001 C 002

