

Technical Manual

BELT DRIVE STEREO TURNTABLE RP-850

Table of Contents

Specifications	1
Parts List	2
Disassembly Diagram	3
Schematic Diagram	4

Table des matières

Caractéristiques	1
Liste des pièces	2
Schéma de démontage	3
Diagramme schématique	4

Specifications

Motor4-pole hysteresis synchronous motor
Drive SystemBelt-drive
Speeds33-1/3 and 45 rpm
Wow and FlutterLess than 0.03% (WRMS)
Signal-to-Noise RatioBetter than 60dB (IEC-B) Better than 70dB (DIN-B)
PlatterAluminum diecast (310mm diameter, 1.5kg)

TONEARM

TypeStatic-balanced straight pipe arm, oil-damped cueing device, direct- readout stylus gauge counter- weight, anti-skating device.
----------------	---

Overhang16mm
Tracking Error+2.35° to -1.3°
Suitable Cartridge Weight3g to 9g
Suitable Stylus Pressure0.5g to 3g

MISCELLANEOUS

Power Requirement120V (60Hz) or 220/240V (50Hz)
Power Consumption8 watts (max.)
Dimensions (overall)432 (W) x 135 (H) x 350 (D) mm 17" x 5-5/16" x 13-25/32"
Weight (net)10.7kg/23.5 lbs.

- Specifications subject to change for improvement without prior notice.

Caractéristiques

MoteurMoteur synchrone à hystérésis, 4 pôles
EntraînementEntraînement à courroie
Vitesses33,3 et 45tpm
Pleurage et scintillementInférieurs à 0,03% (WRMS)
Rapport signal/bruitMieux que 60dB (IEC-B) Mieux que 70dB (DIN-B)
PlateauMoulage en aluminium (diamètre 310mm, 1,5kg)

BRAS DE LECTURE

TypeBras tubulaire droit à équilibrage statique, dispositif de recherche oléo-amorti, jauge contreponds de pointe à lecture directe, anti-skating.
----------------	--

Dépassement16mm
Erreur de piste+2,35 à -1,3°
Poids de cellule admissible3g-9g
Pression de pointe admissible0,5g-3g

DIVERS

Alimentation120V (60Hz), 220/240V (50Hz)
Consommation8 watts (max.)
Dimensions (hors-tout)432 (L) x 135 (H) x 350 (P)mm
Poids (net)10.7kg

- Spécifications sujettes à modifications sans préavis à des fins d'amélioration.

Serial No. Beginning NE95443

THE ROTEL CO., LTD.
ROTEL ELECTRONICS CO., LTD.
ROTEL HI FI LIMITED.

1-36-8 OHOKAYAMA, MEGURO-KU, TOKYO 152, JAPAN
2ND FLOOR, ROTEL BLDG., NO. 35 FUSHING, NORTH
ROAD, TAIPEI, TAIWAN, REPUBLIC OF CHINA

2-4 ERICA ROAD, STACEY BUSHES, MILTON KEYNES,
BUCKINGHAMSHIRE, ENGLAND

Parts List

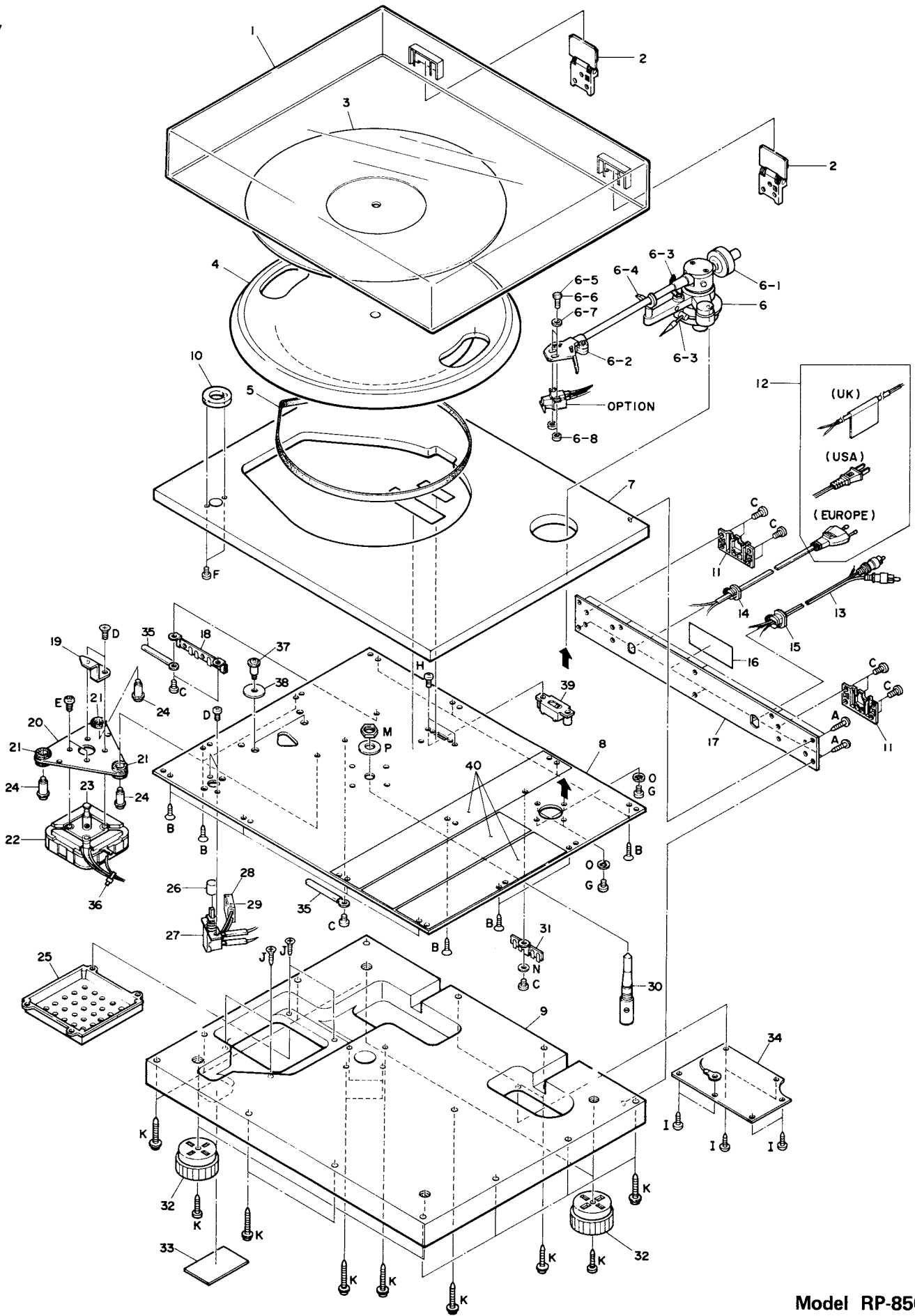
Liste des pièces

Ref. No.	Description	Part No.	Q'ty	Ref. No.	Description	Part No.
1.	Dust Cover	0142MX-6	1	A	Screw 2.7 x 13 (BLZ), Round	071MM2.7 x 13B
2.	Hinge Ass'y	019C-4118	2	B	" 2.7 x 10 (BLZ), Round	071MS2.7 x 10B
3.	Turntable Mat	014C-4112	1	C	" 3 x 4 (BLZ) Bind	071B3 x 4B
4.	Turntable Platter	0142NP-10	1	D	" 3 x 6 (Ni) Ovalcountersunk	071MS3 x 6N
5.	Belt	0194MX-13	1	E	" 3 x 6 (Ni) Bind	071B3 x 6N
6.	Tone Arm Ass'y	0922NP-11#1	1	F	" 3 x 6 (Ni) Bind	071B3 x 8N
-1	Counter Weight	099MC-5271	1	G	" 4 x 10 (Ni) Bind	071B4 x 10N
		and 099MC-3538C		H	" 2.6 x 10 (BLZ) Tapping	071NPT2.6 x 10B
-2	Head Shell	099MA-1513		I	" 2.7 x 10 (BLZ) Round	071MM2.7 x 10B
-3	Arm Elevation Ass'y	099MC-1620	1	J	" 3 x 15 (BLZ) TPB-1	071SATP3 x 15B
		and 099MC-0755		K	" 4 x 30 (BLZ) w/Washer	071WB4 x 30B
		and 099MC-0582		L	Nut M4 Inserter	
		and 099MB-0797		M	" M12 P=0.75	0714NP-35
-4	Arm Rest	099MB-1277	1	N	Washer M3 BW-3	071KW3
-5	Cartridge Mtg. Screw M2.6 x 9	099MC-5559	2	O	" M4 BW-4	071KW4
-6	" " M2.6 x 18	099MC-5559P	2	P	" M12 Plain	07112Z
-7	" Washer $\phi 2.8 \times \phi 4.8$	099MC-0949	2	Q	Screw 4 x 30 (BLZ) Bind	071B4 x 30B
-8	" Nut M2.6 AL	099MC-0948	2			
7.	Upper Cabinet	0142NP-1	1			
8.	Chassis	0132NP-3	1			
9.	Under Cabinet	1142NP-2	1			
10.	Ornamental Ring	0144NP-7	1			
11.	Hinge Holder	019C-2871	2			
12.	Power Supply Cord (Europe)	072C-3039	1			
	or " (UK)	072C-854#5				
	or " (USA)	072C714				
13.	Signal Cord	072C-4113	1			
14.	Cord Stopper (UK)	019SR5M3	1			
	or " (EUROPE USA)	019SR4N4	1			
15.	Cord Stopper (SIGNAL)	019SR6N3-4	1			
16.	Rating Plate (120V) USA, Canada	082NP-697	1			
	or " (220 - 240V) UK, Europe	082NP-695				
17.	Rear Plate	0133NP-4	1			
18.	Lug Terminal 5P	0194MR-58	1			
19.	Belt Guide	0134NP-8	1			
20.	Metal Fittings for Motor	0134MR-33	1			
21.	Rubber Cushion	0194KK-27B	3			
22.	Motor (120/220 - 240V)	0241MS27512D16	1			
	or " (120V ONLY)	0241MS27512BUC	1			
23.	Puller for 50Hz	0134NP-15	1			
	or " 60Hz	0134NP-16				
24.	Screw, Motor Mtg.	0714MR-32	3			
25.	Motor Cover	0133LK-50A	1			
26.	Push Knob	0124NP-6	1			
27.	Power Swich	061C-3600B	1			
28.	Noise Canceller 103P MURATA	044DE7150FZ103P	1			
	or " ECQ-EC 0.047	044ECQEC473				
29.	Capacitor Cover C-3441#5 (103P)	019C-3441#5	1			
	or " 821030 (0.047)	019821030				
30.	Main Bearing	0133NP-5A	1			
31.	Lug Terminal 5P	019LUG2E2LARGE	1			
32.	Foot	1194NP-13#1	1			
33.	Power Switch Cover	OSK4NP-20	1			
34.	Shield Board	0194NP-21	1			
35.	Lug (Wire Clamp)	019C-3795#2	2			
36.	Wire Clamper	019C-2650	7			
37.	Screw Lock	071MR-38	3			
38.	Caution Card	0824LK-56	3			
39.	Voltage Selector	061C-4095	1			
40.	Visco Elastic Tape Material	083VEM436	1.6m			

Disassembly Diagram Schéma de démontage

Q'ty

- 8
- 17
- 12
- 4
- 2
- 2
- 4
- 2
- 6
- 4
- 21
- 4
- 1
- 3
- 4
- 1
- 4



Model RP-850

Schematic Diagram Model RP-850

Diagramme schématique Modèle RP-850

