

Technical Manual

REMOTE CONTROL CENTER RR-800 REMOTE CONTROL TRANSMITTER RRT-1

TABLE OF CONTENTS

Specifications	1
Chassis Layout (RR-800)	2
Block Diagram.	2
Parts List.	3
Schematic Diagrams	5
P-c Board Diagrams	8

Specifications

MAIN UNIT (RR-800)

IC.9
Transistor24
Diode.38
Ceramic Oscillating Element.1
Relay.2
Light Emitting Diode (LED).5
Range of Operation.6m
Power Requirement.120V/60Hz, 220V/50Hz, 240V/50Hz, 120, 220, 240V/50-60Hz
Dimensions (Overall)430 (W) x 66 (H) x 292 (D) mm 16-15/16" x 2-19/32" x 11-1/2"
Weight3.6kg/7.92 lbs.

TRANSMITTER UNIT (RRT-1BE)

IC.1
Transistor3
Diode.2
Ceramic Oscillating Element.1
Infrared Light-Emitting Diode.2
Light Emitting Diode (LED).1
Power Requirement.SUM-3 (UM-3) dry battery (1.5VDC) x 3
Dimensions (Overall)74 (W) x 24 (H) x 172 (D) mm 2-29/32" x 15/16" x 6-25/32"
Weight185g/6.53 ozs.

- Specifications and design subject to possible modification without notice.

TABLE DES MATIERES

Caractéristiques	1
Installation du châssis (RR-800)	2
Schéma synoptique	2
Liste des pièces	3
Diagrammes schématiques	5
Circuits imprimés	8

Caractéristiques

UNITE PRINCIPALE (RR-800)

CI.9
Transistors24
Diodes38
Élément oscillant céramique.1
Relais.2
Diodes électroluminescentes (LED).5
Portée efficace.6m
Alimentation220V/50Hz
Dimensions (hors-tout)430 (L) x 66 (H) x 292 (P) mm
Poids3.6kg

UNITE EMETTEUR (RRT-1BE)

CI.1
Transistors3
Diodes2
Élément oscillant céramique.1
Diodes électroluminescentes infrarouge2
Diode électroluminescente (LED).1
Alimentation3 piles sèches SUM-3 (UM-3) (1,5V CC)
Dimensions74 (L) x 24 (H) x 172 (P) mm
Poids185g

- Spécifications et présentation sujettes à modifications sans avis préalable.

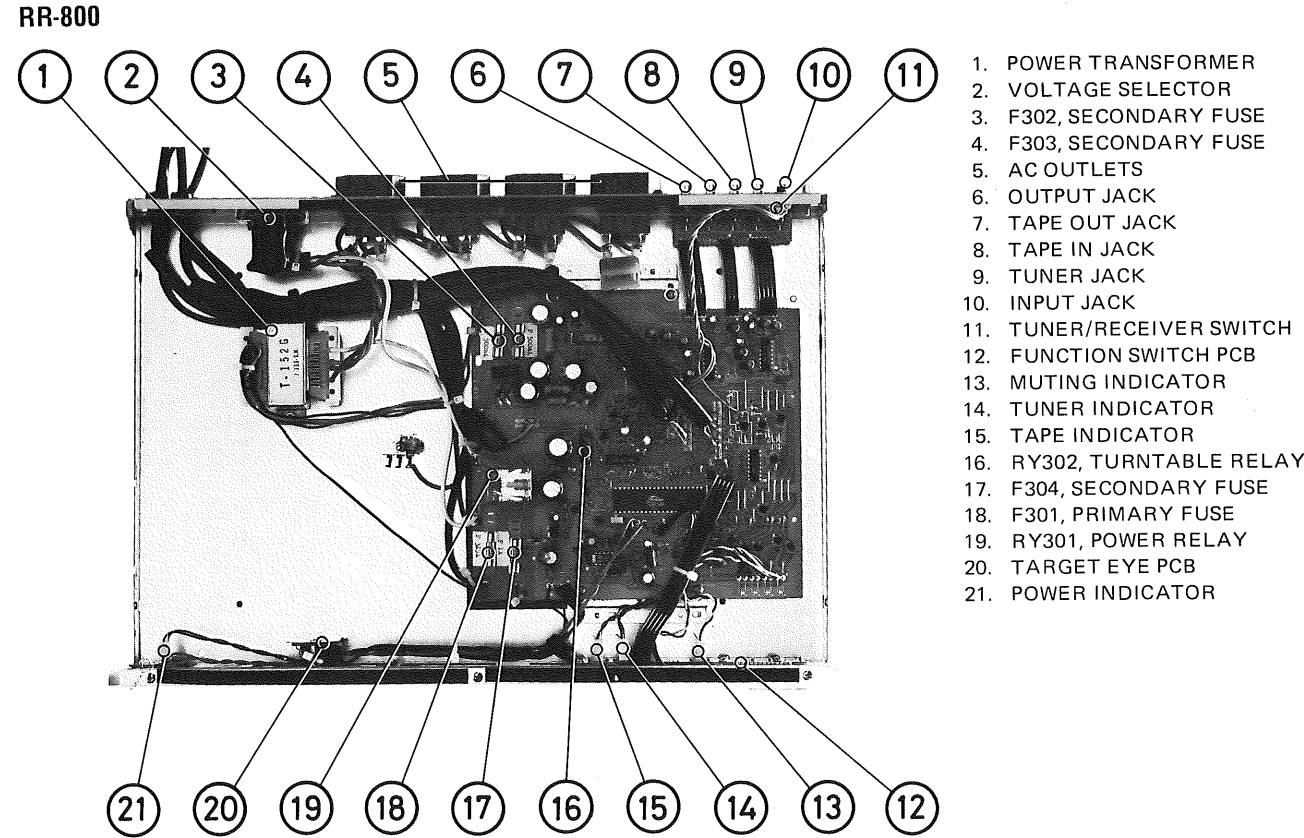
THE ROTEL CO., LTD.
ROTEL ELECTRONICS CO., LTD.
ROTEL HI FI LIMITED.

1-36-8 OHOKAYAMA, MEGURO-KU, TOKYO 152, JAPAN
2ND FLOOR, ROTEL BLDG., NO. 35 FUSHING, NORTH
ROAD, TAIPEI, TAIWAN, REPUBLIC OF CHINA

2-4 ERICA ROAD, STACEY BUSHES, MILTON KEYNES,
BUCKINGHAMSHIRE, ENGLAND

Chassis Layout (Top View)

Installation du châssis (vue de dessus)

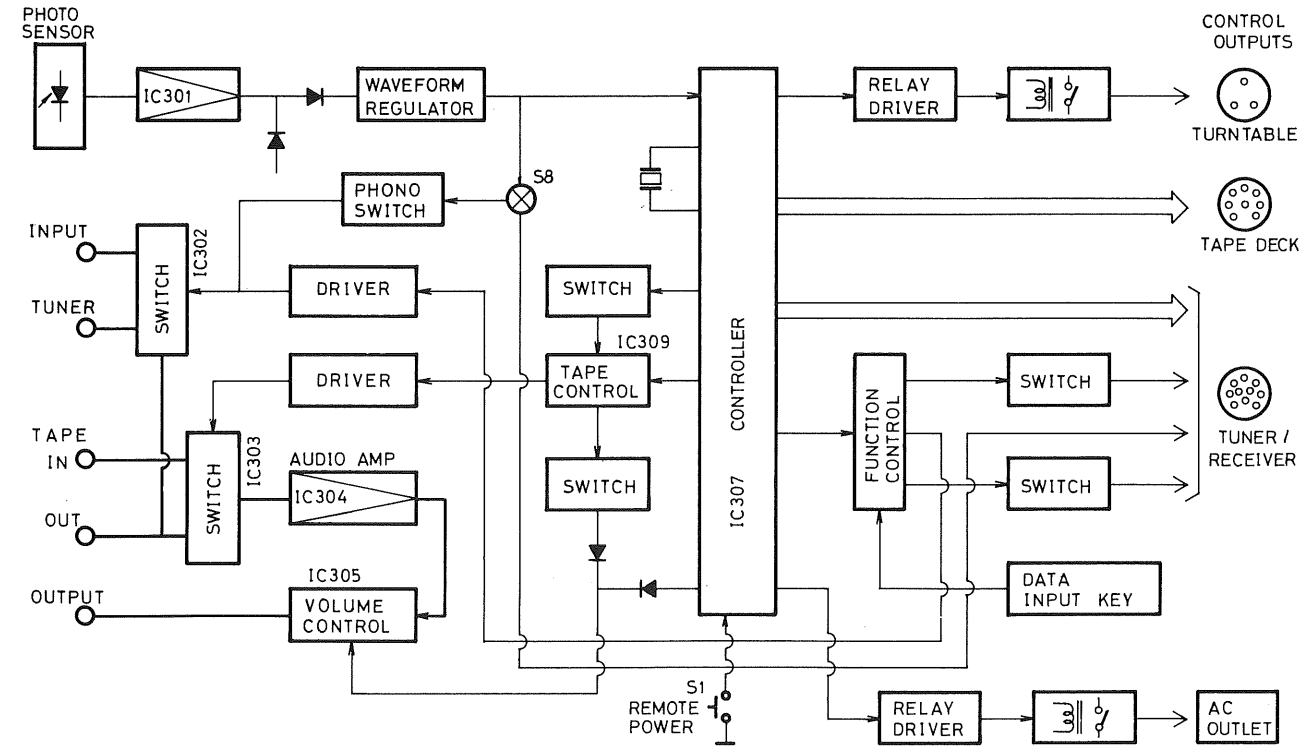


1. POWER TRANSFORMER
2. VOLTAGE SELECTOR
3. F302, SECONDARY FUSE
4. F303, SECONDARY FUSE
5. AC OUTLETS
6. OUTPUT JACK
7. TAPE OUT JACK
8. TAPE IN JACK
9. TUNER JACK
10. INPUT JACK
11. TUNER/RECEIVER SWITCH
12. FUNCTION SWITCH PCB
13. MUTING INDICATOR
14. TUNER INDICATOR
15. TAPE INDICATOR
16. RY302, TURNTABLE RELAY
17. F304, SECONDARY FUSE
18. F301, PRIMARY FUSE
19. RY301, POWER RELAY
20. TARGET EYE PCB
21. POWER INDICATOR

Photo: European specification

Block Diagram

Schéma synoptique



Parts List / Liste des pièces

Remote Control Center RR-800

Schematic Location	Description	Part No.	New Part No.
TRANSISTORS, DIODES AND IC'S			
Q101	2SC1571 (G or H)	301201237	0322SC1571-GH
Q301 to 305, 307 to 309, 311 to 315, 319 to 322, 323*1	2SC536NP (F or G), or 2SC1815 (GR), or 2SC828 (R or S)	301201234 301201244 301201115	0322SC536-FG 0322SC1815-GR 0322SC828-RS
Q306, 316, 317, 318, Q310	2SA608 (F or G) 2SC2274 (E or F)	301001185 301201231	0322SA608-FG 0322SC2274-EF
D101	NJL6143A Photo	300717001	034NJL6143A
D102, 303, 304, 305 to 308, 310 to 330, 341	FDH9615	300111023	034FDH9615
D301, 302	1K188, (Ge)	300111008	0341K188
D309	WZ-150, Zener, 15V, 0.5W	300313027	034WZ150
D331 to 334	SR1K-4, or DS135D, Rectifier	300919024 300919051	034SR1k4 034DS135D
D335	KBP-02, Rectifier	300919027	034KBP02
D336, 339, D337, 338	GL-9PR24, LED, (RED) GL-9NG24, LED, (GRN)	300414048 300414047	034GL9PR24 034GL9NG24
D340	LN224RP, LED, (RED)	300414042	034LN224RP
IC301	HA1197, Control Signal Amp	303452234	031HA1197
IC302, 303	HD14066BP, Switching	303452270	031HD14066BP
IC304	NJM4558DD, Audio Amp	303452152	031NJM4558DD
IC305	HA12022, Volume Control	303452286	031HA12022
IC306	μPC78L05, Regulator	303452271	031MPC78L05
IC307	TC9134P, Controller	303452272	031TC9134P
IC308	TC9135P, Function Control	303452258	031TC9135P
IC309	HD14027BP, Tape	303452269	031HD14027BP
OTHERS			
L301	Coil, 38kHz, Tune	228641213	021RL-226
T001	Power Transformer T-152G, for STD spec. T-155A, for CSA spec.	207001535	022T-152G 022T-155A
RY301	Relay, Power MS24D2-0(M)	240111226	063MC24D10(M)
RY302	Relay, Turntable, L-14 or LR1A24B	240111253 240111255	063L14 063LR1A24B
F301	Fuse, 7A, for 120V Area Fuse, 7A for CSA Area	341222700 341232700	036L250V7A 036GGL250V7A
F302, 303	Fuse, F3.15A, for 220/240V Area Fuse, 0.5A, for 120V Area Fuse, 0.5A, for CSA Area	345252315 341222050 341232050	036(S)F315MA 036L250V0.5A 036ASG250V0.5A
F304	Fuse, F500mA, for 220/240V Area Fuse, 1A, for 120V Area Fuse, 1A, for CSA Area	345252050 341222100 341232100	036(S)F500MA 036L250V1A 036ASG250V1A
X301	Ceramic Resonator, 455kHz	224110008	036(S)F1A
S1	Power Switch		023CSB455E
S2 to S7	Keyboard Switch, UP, DOWN, etc.	615212300	016C-3746
S8	Slide Switch, Tuner/Receiver	613000043	061C-3745
C001	Noise Canceller, NSK-135, for 120V Area NSK-132 for CSA Area PME256MA447, 220/240V Area	470101118 470101129 470101136	044NSK135 044NSK132 044PME265MA447
Main Circuit Ass'y			
	120V Spec.	141010246	
	220V/240V Spec.	141010247	
	Fuse Clip, ø6.3	648211257	069C-3418
	Fuse Clip, ø5.2	648211256	069C-3417A
	LED Socket, w/Wire (BRN), L = 150	648211274	062C-3963#11
	LED Socket w/Wire (RED), L = 150	648211275	062C-3963#12
	LED Socket w/Wire (ORG), L = 150	648211276	062C-3963#13
	LED Socket w/Wire (YLW), L = 150	648211277	062C-3963#14
	LED Socket w/Wire (GRN), L = 300	648211296	062C-3963#35
	LED Socket w/Wire (GRN), L = 200	648211287	062C-3963#25
	Pin Jack Board, 4P	624304204	062T5763AB
	Pin Jack Board, 2P	624303202	062T5762AB
	Voltage Selector*1	648211247	062FS903-2B
	Socket, AC Outlet, for U.S.A.	648211255	062M7007B
	for CSA or U.S.A.	648211321	062AC1F
	for Europe	648211311	062SI6495-01
	for UK	648211316	062P675

Schematic Location	Description
Q101, 102	2SA
Q103	2SC
D101	LN2
D102, 103	FDH
D104, 105	NJL
IC101	TC9
X101	Ceramic
S101 to 121	Key
	Tran
	Mou
	Pan
	But
	Con
	Spo
	Rub
	Poly
	Scre

Remote Control Transm

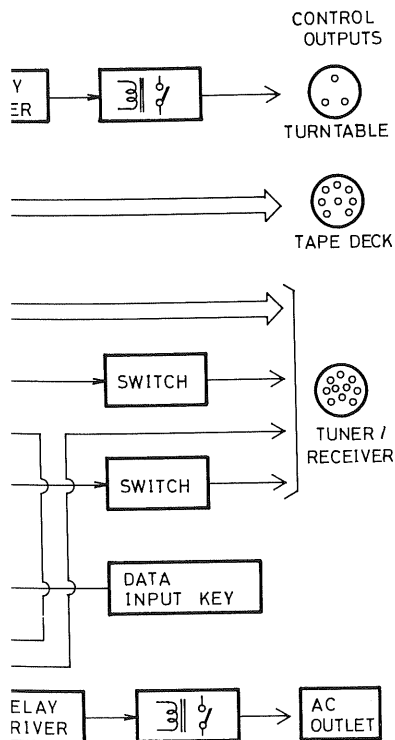
Notes:
*1: Not used for CSA version.
*2: Not used on 120V version.

Parts List Liste des pièces

Remote Control Center RR-800

Schematic Location	Description	Part No.	New Part No.
TRANSISTORS, DIODES AND IC'S			
Q101	2SC1571 (G or H)	301201237	0322SC1571-GH
Q301 to 305, 307 to 309, 311 to 315, 319 to 322, 323*1	2SC536NP (F or G), or 2SC1815 (GR), or 2SC828 (R or S)	301201234 301201244 301201115	0322SC536-FG 0322SC1815-GR 0322SC828-RS
Q306, 316, 317 318, Q310	2SA608 (F or G) 2SC2274 (E or F)	301001185 301201231	0322SA608-FG 0322SC2274-EF
D101	NJL6143A Photo	300717001	034NJL6143A
D102, 303, 304, 305 to 308, 310 to 330, 341	FDH9615	300111023	034FDH9615
D301, 302	1K188, (Ge)	300111008	0341K188
D309	WZ-150, Zener, 15V, 0.5W	300313027	034WZ150
D331 to 334	SR1K-4, or DS135D, Rectifier	300919024 300919051	034SR1K4 034DS135D
D335	KBP-02, Rectifier	300919027	034KBP02
D336, 339, D337, 338	GL-9PR24, LED, (RED) GL-9NG24, LED, (GRN)	300414048 300414047	034GL9PR24 034GL9NG24
D340	LN224RP, LED, (RED)	300414042	034LN224RP
IC301	HA1197, Control Signal Amp	303452234	031HA1197
IC302, 303	HD14066BP, Switching	303452270	031HD14066BP
IC304	NJM4558DD, Audio Amp	303452152	031NJM4558DD
IC305	HA12022, Volume Control	303452286	031HA12022
IC306	μPC78L05, Regulator	303452271	031MPC78L05
IC307	TC9134P, Controller	303452272	031TC9134P
IC308	TC9135P, Function Control	303452258	031TC9135P
IC309	HD14027BP, Tape	303452269	031HD14027BP
OTHERS			
L301	Coil, 38kHz, Tune	228641213	021RL-226
T001	Power Transformer T-152G, for STD spec. T-155A, for CSA spec.	207001535	022T-152G 022T-155A
RY301	Relay, Power MS24D2-0(M)	240111226	063MC24D10(M)
RY302	Relay, Turntable, L-14 or LR1A24B	240111253 240111255	063LR1A24B 036L250V7A
F301	Fuse, 7A, for 120V Area Fuse, 7A for CSA Area	341222700 341232700	036GG250V7A 036(S)F315MA
F302, 303	Fuse, 0.5A, for 120V Area Fuse, 0.5A, for CSA Area	341222050 341232050	036L250V0.5A 036ASG250V0.5A
F304	Fuse, 1A, for 120V Area Fuse, 1A, for CSA Area	341222100 341232100	036L250V1A 036ASG250V1A
X301	Ceramic Resonator, 455kHz	224110008	036(S)F1A 023CSB455E
S1	Power Switch	615212300	016C-3746
S2 to S7	Keyboard Switch, UP, DOWN, etc.	613000043	061C-3745
S8	Slide Switch, Tuner/Receiver		062S535-6P
C001	Noise Canceller, NSK-135, for 120V Area NSK-132 for CSA Area PME256MA447, 220/240V Area	470101118 470101129 470101136	044NSK135 044NSK132 044PME265MA447
	Main Circuit Ass'y 120V Spec. 220V/240V Spec.	141010246 141010247	069C-3418 069C-3417A
	Fuse Clip, ø6.3 Fuse Clip, ø5.2	648211257 648211256	062C-3963#11 062C-3963#12
	LED Socket, w/Wire (BRN), L = 150 LED Socket w/Wire (RED), L = 150 LED Socket w/Wire (ORG), L = 150 LED Socket w/Wire (YLW), L = 150 LED Socket w/Wire (GRN), L = 300 LED Socket w/Wire (GRN), L = 200	648211274 648211275 648211276 648211277 648211296 648211287	062C-3963#13 062C-3963#14 062C-3963#35 062C-3963#25
	Pin Jack Board, 4P Pin Jack Board, 2P Voltage Selector*1	624304204 624303202 648211247	062T5763AB 062T5762AB 062FS903-2B
	Socket, AC Outlet, for U.S.A. for CSA or U.S.A. for Europe	648211255 648211321 648211311 648211316	062M7007B 062AC1F 062SI6495-01 062P675

1. POWER TRANSFORMER
2. VOLTAGE SELECTOR
3. F302, SECONDARY FUSE
4. F303, SECONDARY FUSE
5. AC OUTLETS
6. OUTPUT JACK
7. TAPE OUT JACK
8. TAPE IN JACK
9. TUNER JACK
10. INPUT JACK
11. TUNER/RECEIVER SWITCH
12. FUNCTION SWITCH PCB
13. MUTING INDICATOR
14. TUNER INDICATOR
15. TAPE INDICATOR
16. RY302, TURNTABLE RELAY
17. F304, SECONDARY FUSE
18. F301, PRIMARY FUSE
19. RY301, POWER RELAY
20. TARGET EYE PCB
21. POWER INDICATOR



Schematic Location	Description	Part No.	New Part No.
	Cord Stopper, Control Cord Mtg	675201116	019SR5M1
	Power Cord Mtg	675201114	019SR4M4
	Power Cord Mtg, UK only	675201115	019SR6W1
	Cord Ass'y w/DIN 10P Plug	791001157	072C-3702
	Cord Ass'y w/DIN 8P Plug	791001158	072C-3703
	Cord Ass'y w/DIN 3P Plug	791001167	072C-3704#2
	Signal Cord Ass'y	791001112	072C-930
	Power Supply Cord for U.S.A., etc.	796301115	072C-714
	for Europe, etc.	796301148	072C-3039
	for UK, wo/Plug	796301130	072C-854#5
	Insulation Cover*2, Noise Canceller	792011220	019C-3737
	Insulation Cover*1, Voltage Selector	792011218	019C-3736
	Optical Filter	114902393	014C-3353#3
	Front Panel Ass'y		0112NJ-31#1
	Bonnet		0144NJ-40
	Button, UP, DOWN	116210129	012C-3883#1
	Button, Function	116210137	0124TR-1537
	Foot	673402027	019C-3688#1
	Collar, Rubber, ø7 x ø10 x H8	770302120	019C-3690#1
	Fiber Board w/Al Foil	991001179	019C-2505#3
	Rubber Sheet	990201353	019C-2654#1
	Sponge, 180 x 8 x 1, Front Panel	990201337	019C-2095#13
	Felt, 295 x 6 x 1, Rear Panel		019C-857#29
	Sponge, ø4.5 x ø14 x t3	990201343	019C-3725#3
	Sponge, 20 x 6 x 12	990201350	019C-834#21
	Plyethylene Bag for Set	855004260	083PB420x600
	for Owner's Manual	855002332	083PB230x320
	Owner's Manual	833201465	0820MRR-800
	Packing Case, Stylofoam Moulding	815001285	081Z-64
	Screw, M2 x 4 (BLZ), Bind	705222004	071B2x4B
	Screw, M3 x 6 (Ni), Bind	705213006	071B3x6N
	Screw, M3 x 8 (BLZ), Bind	705223008	071B3x8B
	Screw, M4 x 6 (BLZ) w/FW, Bind*1	755224006	071WB4x6N
	Screw, M3 x 6 (Ni), Countersunk	701213006	071SA3x6N
	Screw, TP3 x 8 (Ni)	726213008	071BZTP3x8N
	Screw, TP3 x 8 (BLZ)	726223008	071BZTP3x8B
	Screw, TP3 x 10 (BLZ)	726223010	071BZTP3x10B
	Screw, TP3 x 8 (Ni), Oval-countersunk	722213008	071MSTP3x8N
	Screw, Tap-tight, 3 x 8 (Ni), Bind	765213008	071BZTP3x8N
	Screw, M3 x 5.5 (BLZ), Flat	770911166	071C-2198
	Insertion, M3, L = 12	770911268	071C-3522#2
	GND Screw	770911282	062UB0060
	Nut, M3, Hexagonal	770402201	071N3N
	Washer, Flat, M3	770500003	071W3N
	Washer, Spring, M3	770500010	071SW3

Remote Control Transmitter RRT-1BE

Schematic Location	Description	Part No.	New Part No.
TRANSISTORS, DIODES AND IC			
Q101, 102	2SA608NP (F or G),	301001185	0322SA608-FG
Q103	2SC2274 (E or F)	301201231	0322SC2274-EF
D101	LN221RP, LED (RED)	300414050	034LN221RP
D102, 103	FDH9615	300111023	034FDH9615
D104, 105	NJL1102L, LED (INFRARED)	300414049	034NJL1102L
IC101	TC9132P, Remote Control Sender	303452273	031TC9132P
OTHERS			
X101	Ceramic Resonator, 455kHz	224110008	023CSB455E
S101 to 121	Keyboard Switch	615212297	061C-3627
	Transmitter P-c Board Ass'y	141811225	501X-460
	Mould Case w/Optical Filter	114902394	0142NA-50
	Panel Ass'y, Beige		1113NA-51#2
	Button, Key Switch	116210108	012C-3618#4
	Contact Plate, Battery	648211317	0194NA-52
	Sponge, 30 x 30 x 3	990201356	019C-3595#2
	Rubber	990201357	019C-3747
	Polyethylene Bag	855001530	083PB150x300
	Screw, TP3 x 6	726213006	071BZTP3 x 6N

Notes:

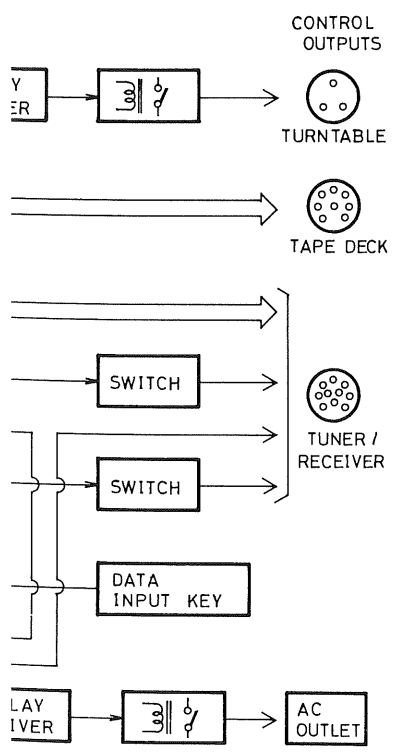
*1: Not used for CSA version.

*2: Not used on 120V version.

Remote Control Center RR-800

Schematic Location	Description	Part No.	New Part No.
TRANSISTORS, DIODES AND IC'S			
Q101	2SC1571 (G or H)	301201237	0322SC1571-GH
Q301 to 305, 307 to 309, 311 to 315, 319 to 322, 323*1	2SC536NP (F or G), or 2SC1815 (GR), or 2SC828 (R or S)	301201234 301201244 301201115	0322SC536-FG 0322SC1815-GR 0322SC828-RS
Q306, 316, 317 318,	2SA608 (F or G)	301001185	0322SA608-FG
Q310	2SC2274 (E or F)	301201231	0322SC2274-EF
D101	NJL6143A Photo	300717001	034NJL6143A
D102, 303, 304, 305 to 308, 310 to 330, 341	FDH9615	300111023	034FDH9615
D301, 302	1K188, (Ge)	300111008	0341K188
D309	WZ-150, Zener, 15V, 0.5W	300313027	034WZ150
D331 to 334	SR1K-4, or DS135D, Rectifier	300919024 300919051	034SR1k4 034DS135D
D335	KBP-02, Rectifier	300919027	034KBP02
D336, 339, D337, 338	GL-9PR24, LED, (RED) GL-9NG24, LED, (GRN)	300414048 300414047	034GL9PR24 034GL9NG24
D340	LN224RP, LED, (RED)	300414042	034LN224RP
IC301	HA1197, Control Signal Amp	303452234	031HA1197
IC302, 303	HD14066BP, Switching	303452270	031HD14066BP
IC304	NJM4558DD, Audio Amp	303452152	031NJM4558DD
IC305	HA12022, Volume Control	303452286	031HA12022
IC306	μPC78L05, Regulator	303452271	031MPC78L05
IC307	TC9134P, Controller	303452272	031TC9134P
IC308	TC9135P, Function Control	303452258	031TC9135P
IC309	HD14027BP, Tape	303452269	031HD14027BP
OTHERS			
L301	Coil, 38kHz, Tune	228641213	021RL-226
T001	Power Transformer T-152G, for STD spec. T-155A, for CSA spec.	207001535	022T-152G 022T-155A
RY301	Relay, Power MS24D2-0(M)	240111226	063MC24D10(M)
RY302	Relay, Turntable, L-14 or LR1A24B	240111253 240111255	063L14 063LR1A24B
F301	Fuse, 7A, for 120V Area Fuse, 7A for CSA Area	341222700 341232700	036L250V7A 036GGL250V7A
F302, 303	Fuse, F3.15A, for 220/240V Area Fuse, 0.5A, for 120V Area Fuse, 0.5A, for CSA Area	345252315 341222050 341232050	036(S)F315MA 036L250V0.5A 036(S)F500MA
F304	Fuse, F500mA, for 220/240V Area Fuse, 1A, for 120V Area Fuse, 1A, for CSA Area	345252050 341222100 341232100	036(S)F500MA 036L250V1A 036ASG250V1A
X301	Fuse, F1A, for 220/240V Area Ceramic Resonator, 455kHz	345252100 224110008	036(S)F1A 023CSB455E
S1	Power Switch		016C-3746
S2 to S7	Keyboard Switch, UP, DOWN, etc.	615212300	061C-3745
S8	Slide Switch, Tuner/Receiver	613000043	062S535-6P
C001	Noise Canceller, NSK-135, for 120V Area NSK-132 for CSA Area PME256MA447, 220/240V Area	470101118 470101129 470101136	044NSK135 044NSK132 044PME256MA447
	Main Circuit Ass'y 120V Spec. 220V/240V Spec.	141010246 141010247	069C-3418 069C-3417A
	Fuse Clip, ø6.3 Fuse Clip, ø5.2	648211257 648211256	062C-3963#11 062C-3963#12
	LED Socket, w/Wire (BRN), L = 150 LED Socket w/Wire (RED), L = 150 LED Socket w/Wire (ORG), L = 150 LED Socket w/Wire (Y/LW), L = 150 LED Socket w/Wire (GRN), L = 300 LED Socket w/Wire (GRN), L = 200	648211274 648211275 648211276 648211277 648211296 648211287	062C-3963#13 062C-3963#14 062C-3963#35 062C-3963#25
	Pin Jack Board, 4P Pin Jack Board, 2P Voltage Selector*1	624304204 624303202 648211247	062T5763AB 062T5762AB 062FS903-2B
	Socket, AC Outlet, for U.S.A. for CSA or U.S.A. for Europe for UK	648211255 648211321 648211311 648211316	062M7007B 062AC1F 062SI6495-01 062P675

1. POWER TRANSFORMER
2. VOLTAGE SELECTOR
3. F302, SECONDARY FUSE
4. F303, SECONDARY FUSE
5. AC OUTLETS
6. OUTPUT JACK
7. TAPE OUT JACK
8. TAPE IN JACK
9. TUNER JACK
10. INPUT JACK
11. TUNER/RECEIVER SWITCH
12. FUNCTION SWITCH PCB
13. MUTING INDICATOR
14. TUNER INDICATOR
15. TAPE INDICATOR
16. RY302, TURNTABLE RELAY
17. F304, SECONDARY FUSE
18. F301, PRIMARY FUSE
19. RY301, POWER RELAY
20. TARGET EYE PCB
21. POWER INDICATOR



Schematic Location	Description	Part No.	New Part No.
TRANSISTORS, DIODES AND IC			
	Cord Stopper, Control Cord Mtg Power Cord Mtg Power Cord Mtg, UK only Cord Ass'y w/DIN 10P Plug Cord Ass'y w/DIN 8P Plug Cord Ass'y w/DIN 3P Plug Signal Cord Ass'y Power Supply Cord for U.S.A., etc. for Europe, etc. for UK, wo/Plug Insulation Cover*2, Noise Canceller Insulation Cover*1, Voltage Selector Optical Filter Front Panel Ass'y Bonnet Button, UP, DOWN Button, Function Foot Collar, Rubber, ø7 x ø10 x H8 Fiber Board w/Al Foil Rubber Sheet Sponge, 180 x 8 x 1, Front Panel Felt, 295 x 6 x 1, Rear Panel Sponge, ø4.5 x ø14 x t3 Sponge, 20 x 6 x 12 Polyethylene Bag for Set for Owner's Manual Owner's Manual Packing Case, Stylofoam Moulding Screw, M2 x 4 (BLZ), Bind Screw, M3 x 6 (Ni), Bind Screw, M3 x 8 (BLZ), Bind Screw, M4 x 6 (BLZ) w/FW, Bind*1 Screw, M3 x 6 (Ni), Countersunk Screw, TP3 x 8 (Ni) Screw, TP3 x 8 (BLZ) Screw, TP3 x 10 (BLZ) Screw, TP3 x 8 (Ni), Oval-countersunk Screw, Tap-tight, 3 x 8 (Ni), Bind Screw, M3 x 5.5 (BLZ), Flat Insertion, M3, L = 12 GND Screw Nut, M3, Hexagonal Washer, Flat, M3 Washer, Spring, M3	675201116 675201114 675201115 791001157 791001158 791001167 791001112 796301115 796301148 796301130 792011220 792011218 114902393 116210129 116210137 673402027 770302120 991001179 990201353 990201337 990201343 990201350 855004260 855002332 833201465 815001285 705222004 705213006 705223008 755224006 701213006 726213008 726223008 726223010 722213008 765213008 770911166 770911268 770911282 770402201 770500003 770500010	019SR5M1 019SR4M4 019SR6W1 072C-3702 072C-3703 072C-3704#2 072C-930 072C-714 072C-3039 072C-854#5 019C-3737 019C-3736 014C-3353#3 0112NJ-31#1 0144NJ-40 012C-3883#1 0124TR-1537 019C-3688#1 019C-3690#1 019C-2505#3 019C-2654#1 019C-2095#13 019C-857#29 019C-3725#3 019C-834#21 083PB420x600 083PB230x320 0820MRR-800 081Z-64 071B2x4B 071B3x6N 071B3x8B 071WB4x6N 071SA3x6N 071BZTP3x8N 071BZTP3x8B 071BZTP3x10B 071MSTP3x8N 071BZTP3x8N 071C-2198 071C-3522#2 062UB0060 071N3N 071W3N 071SW3
OTHERS			
X101	Ceramic Resonator, 455kHz	224110008	023CSB455E
S101 to 121	Keyboard Switch	615212297	061C-3627
	Transmitter P-c Board Ass'y	141811225	501X-460
	Mould Case w/Optical Filter	114902394	0142NA-50
	Panel Ass'y, Beige		1113NA-51#2
	Button, Key Switch	116210108	012C-3618#4
	Contact Plate, Battery	648211317	0194NA-52
	Sponge, 30 x 30 x 3	990201356	019C-3595#2
	Rubber	990201357	019C-3747
	Polyethylene Bag	855001530	083PB150x300
	Screw, TP3 x 6	726213006	071BZTP3 x 6N

Remote Control Transmitter RRT-1BE

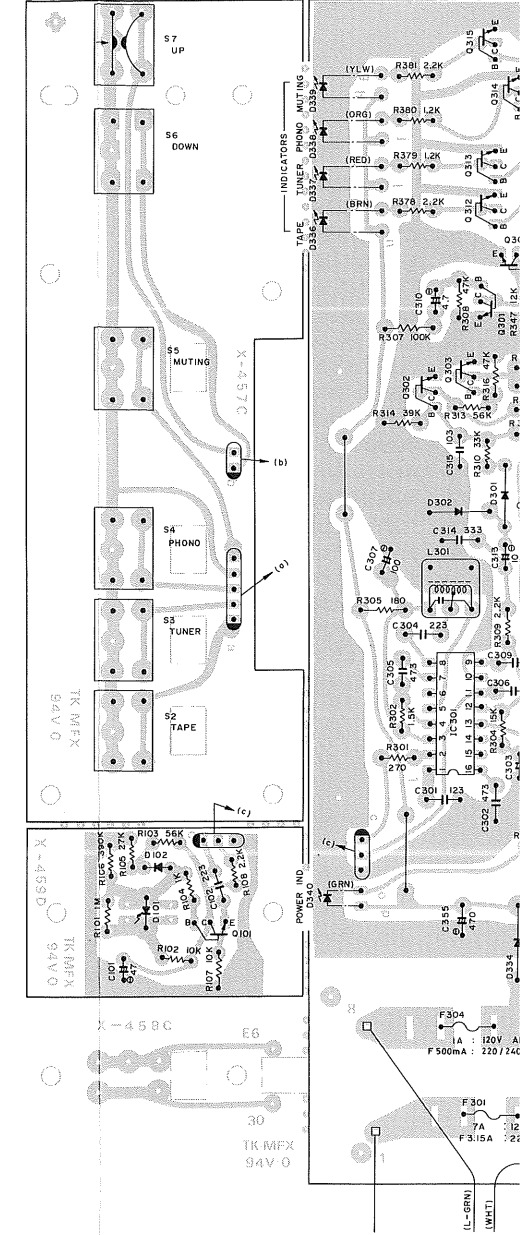
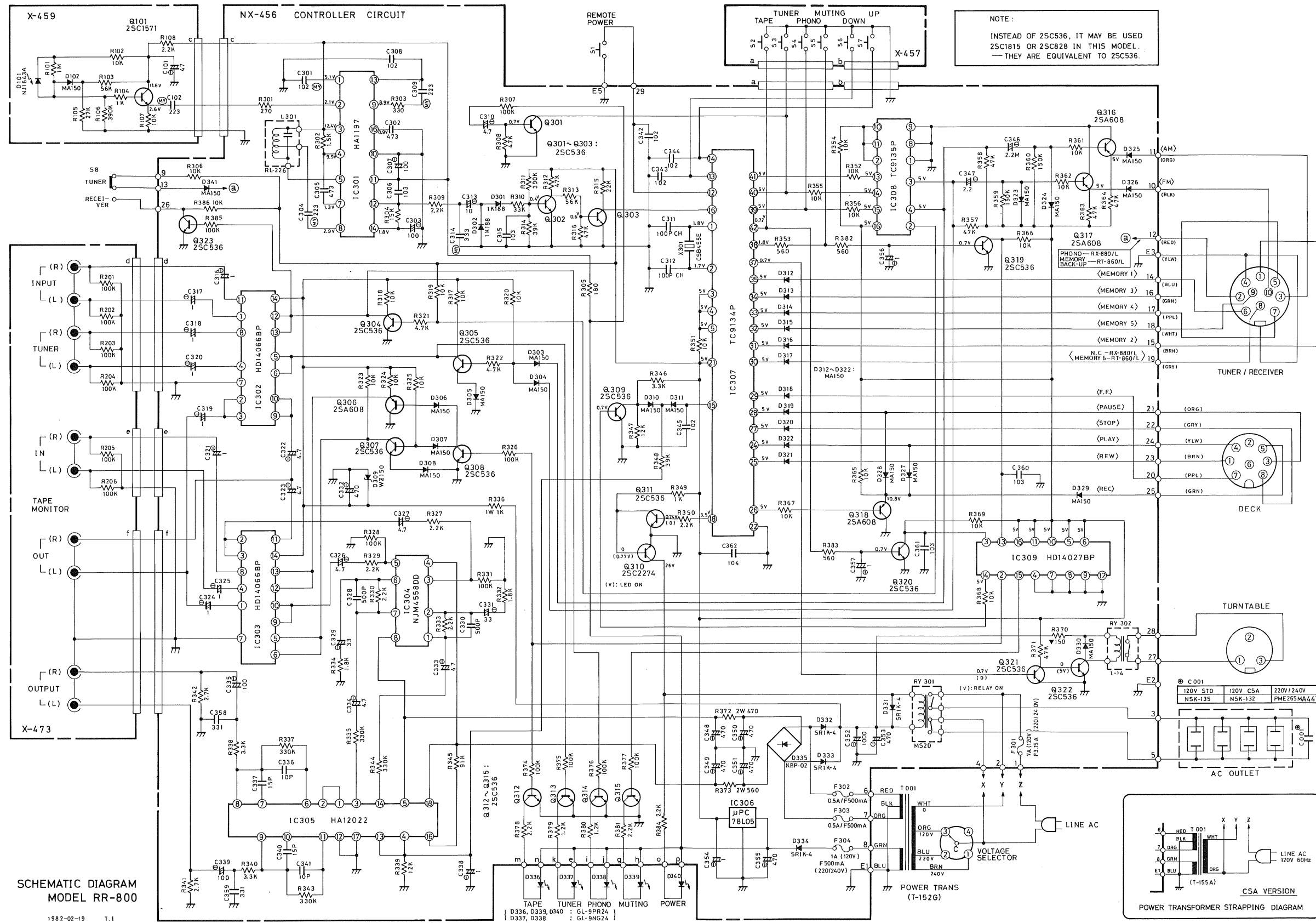
Schematic Location	Description	Part No.	New Part No.
TRANSISTORS, DIODES AND IC			
Q101, 102	2SA608NP (F or G),	301001185	0322SA608-FG
Q103	2SC2274 (E or F)	301201231	0322SC2274-EF
D101	LN221RP, LED (RED)	300414050	034LN221RP
D102, 103	FDH9615	300111023	034FDH9615
D104, 105	NJL1102L, LED (INFRARED)	300414049	034NJL1102L
IC101	TC9132P, Remote Control Sender	303452273	031TC9132P
OTHERS			
X101	Ceramic Resonator, 455kHz	224110008	023CSB455E
S101 to 121	Keyboard Switch	615212297	061C-3627
	Transmitter P-c Board Ass'y	141811225	501X-460
	Mould Case w/Optical Filter	114902394	0142NA-50
	Panel Ass'y, Beige		1113NA-51#2
	Button, Key Switch	116210108	012C-3618#4
	Contact Plate, Battery	648211317	0194NA-52
	Sponge, 30 x 30 x 3	990201356	019C-3595#2
	Rubber	990201357	019C-3747
	Polyethylene Bag	855001530	083PB150x300
	Screw, TP3 x 6	726213006	071BZTP3 x 6N

Notes:
*1 : Not used for CSA version.
*2 : Not used on 120V version.

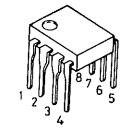
Schematic Diagram Diagramme schématique

MAIN UNIT RR-800
UNITE PRINCIPALE RR-800

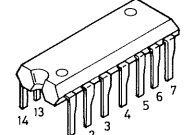
CONTROL CENTER CIRCUIT RR-800
CIRCUIT DU UNITE PRINCIPALE RR-800



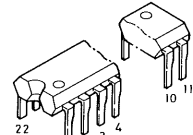
SCHEMATIC DIAGRAM
MODEL RR-800
1982-02-19 T.1



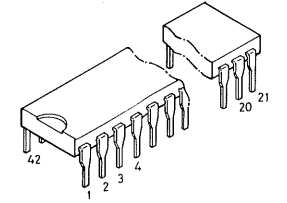
2SC2274
2SA608
2SC536NP
2SC1571



NJM4558DD



TC9135P
HA1197
HD14066BP



TC9132P

TC9134P

RESISTORS

Unless otherwise specified, resistors are 1/4 watts, low noise type carbon film type with a tolerance of 5%.
K Kilohm
M Megohm
▼ Uninflamable carbon film resistor, 1/2 watts

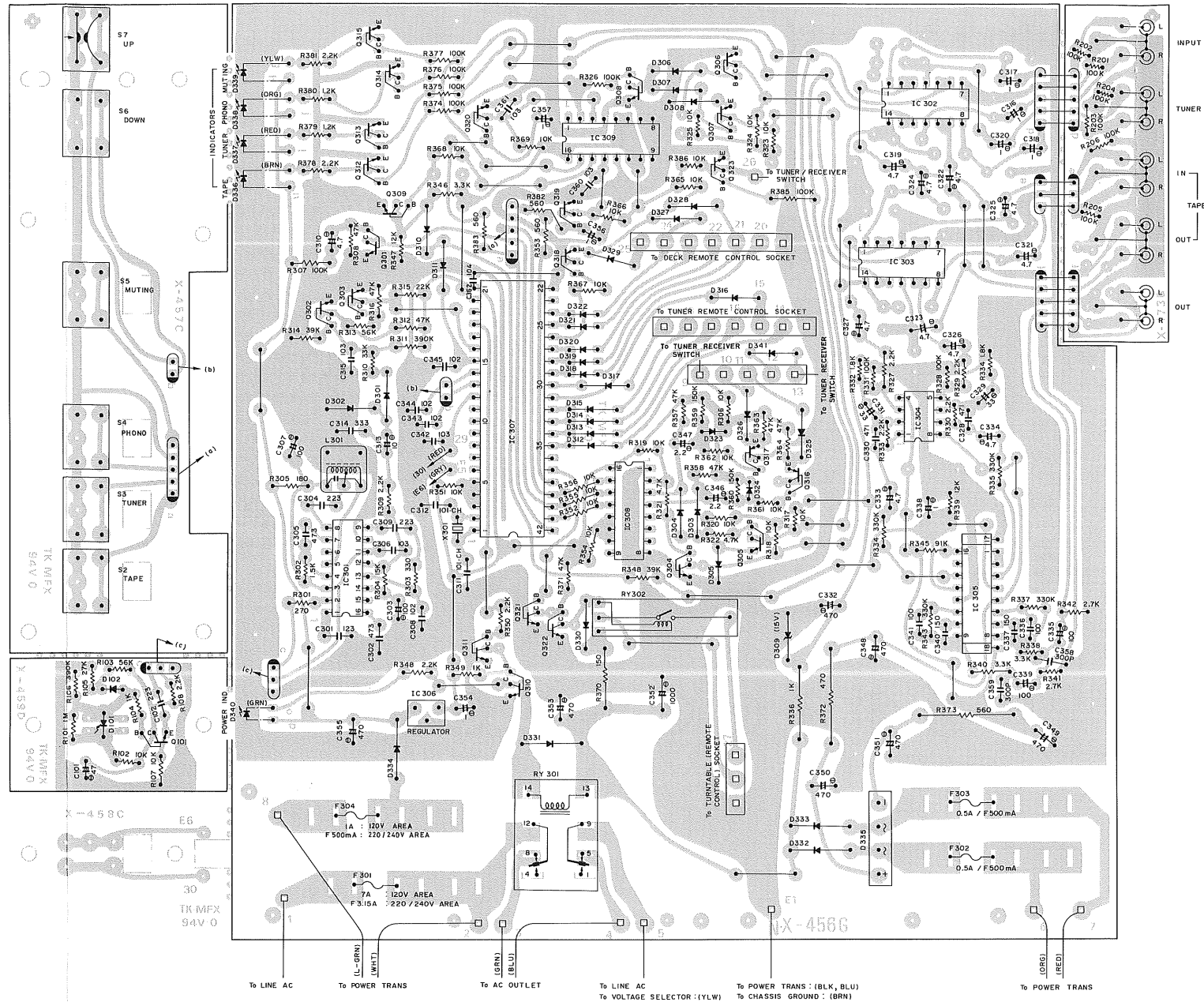
CAPACITORS

Unless otherwise specified, all capacitance values are expressed in mfd.
MY Mylar film capacitor
T Tantalum capacitor
E Electrolytic capacitor
Non mark Ceramic capacitor

- Voltage read with VTVM across the point shown and the chassis ground (line voltage: 120V)
- Voltage reading tolerance: ±20%

CONTROL CENTER CIRCUIT RR-800
CIRCUIT DU UNITE PRINCIPALE RR-800

Notes: For RR-800, *2 is connected to TUNER/RECEIVER SWITCH.



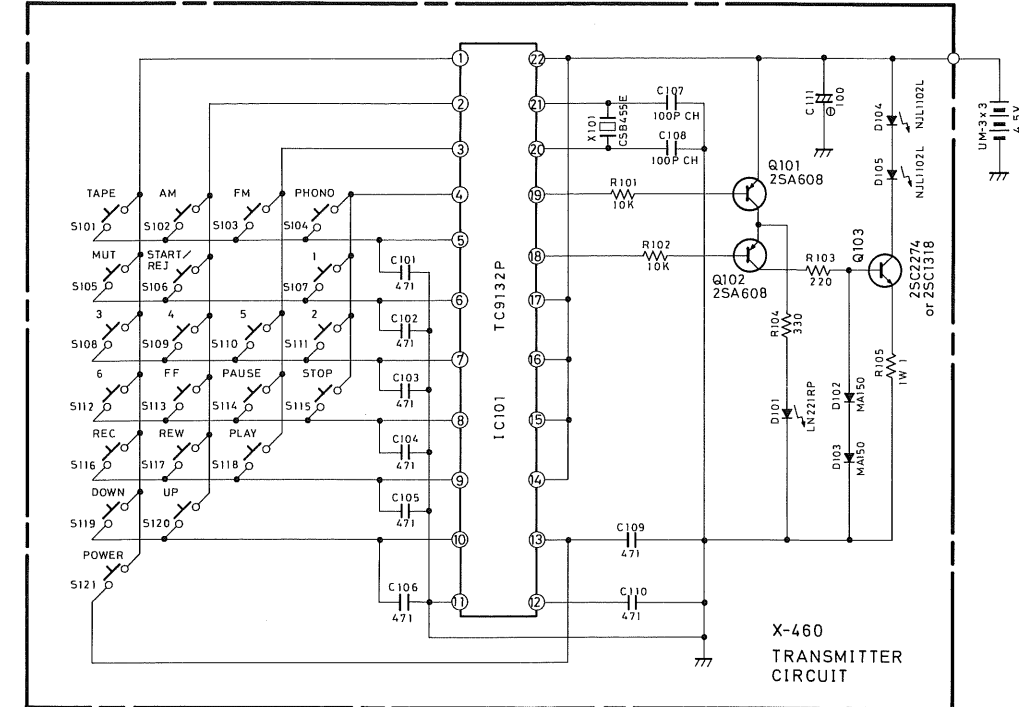
To LINE AC To POWER TRANS To AC OUTLET To LINE AC To VOLTAGE SELECTOR (LYLW) To POWER TRANS : (BLK, BLU) To CHASSIS GROUND : (BRN) To POWER TRANS

GUIDE TO REMOTE CONTROL TERMINALS FOR RR-800

PIN No.	FUNCTIONS	COLOR OF WIRE
10	FM	BLK
11	AM	ORG
12	PHONO/MEMORY BACK-UP	RED
14	MEMORY 1	BLU
15	MEMORY 2	BRN
16	MEMORY 3	GRN
17	MEMORY 4	PPL
18	MEMORY 5	WHT
19	MEMORY 6	GRY
20	F.F	PPL
21	PAUSE	ORG
22	STOP	GRY
23	REW	BRN
24	PLAY	YLW
25	REC	GRN
27	START/REJECT	ORG
28	START/REJECT	BRN

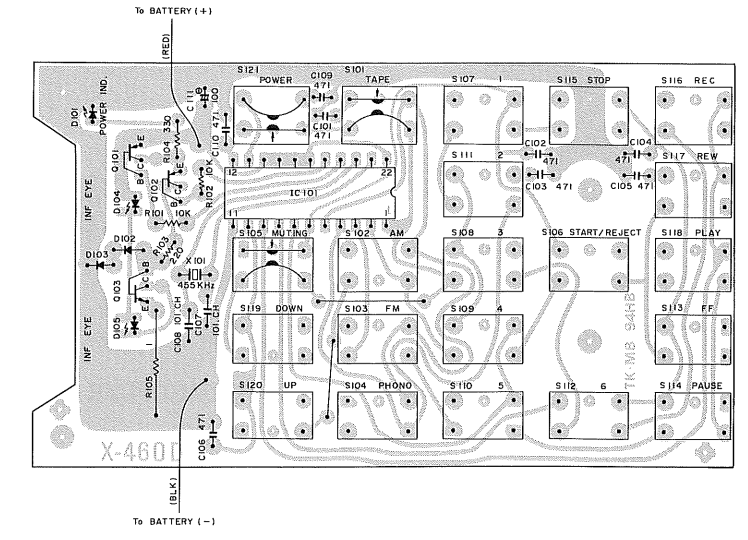
Note: Pin 12 on RR-800:
 When switch S8 on the rear panel is set to "RECEIVER": PHONO
 When switch S8 is set to "TUNER": MEMORY BACK-UP

TRANSMITTER UNIT RRT-1
UNITE EMETTEUR RRT-1



Schematic Diagram RRT-1
 1981.6.18 TERAYAMA

REMOTE CONTROL TRANSMITTER CIRCUIT RRT-1
CIRCUIT DU UNITE EMETTEUR RRT-1



ORS
 otherwise specified, all capacitance values are in mfd.
 . . .Mylar film capacitor
 . . .Tantalum capacitor
 . . .Electrolytic capacitor
 . . .Ceramic capacitor

read with VTVM across the point shown and
 issis ground (line voltage: 120V)
 reading tolerance: ±20%