

Quality Uncompromised

**ROTEL**<sup>®</sup>

# Technical Manual

## DVD AUDIO SURROUND RECEIVER **RSDX-02** (EU)

### Table of Contents

Specification.....	1
Parts List.....	2~19
Trouble Reference, Update Procedure...20~24	
PCB Assembly.....	25~29
Schematic Diagram .....	30~43

### Specifications

#### Amplifier

**Output Power, Stereo Operation:**

80 W per ch, min. RMS, 8 ohms, 40 Hz – 20 kHz with no more than 0.8% total harmonic distortion.

**Output Power, Surround operation:**

80 W per ch, min. RMS, 8 ohms at 1 kHz, with no more than 0.8% total harmonic distortion.

#### Audio

**Audio Input Sensitivity/Impedance (1 kHz):**

TV, TAPE/CDR, DBS, VCR: 240mV/47kohm

**Audio Input (DIGITAL IN):**

Coaxial: 0.5 V(p-p)/75 ohms

Optical: –21 dBm to –15 dBm (660 nm ±30 nm)

**Digital formats:**

Linear PCM, Dolby Digital, and DTS (with sampling frequency–32 kHz, 44.1 kHz, 48 kHz)

**Signal-to-Noise Ratio ('66 IHF/78 IHF):**

TV, TAPE/CDR, DBS, VCR: 87dB/67dB

**Frequency Response:**

TV, TAPE/CDR, DBS, VCR: 20 Hz to 20 kHz (±1 dB)

**Tone Control:**

Bass (100 Hz): ±10 dB

Treble (10 kHz): ±10 dB

#### FM tuner (IHF)

**Tuning Range:**

87.5 MHz to 108.0 MHz

#### AM tuner

**Tuning Range:**

530 kHz to 1 710 kHz

#### Video

**Video Input Sensitivity / Impedance (1kHz):**

Composite video: 1 V(p-p)/75 ohm

S-Video (Y:luminance): 1 V(p-p)/75 ohm

S-Video (C:chrominance): 0.286 V(p-p)/75 ohm

**Video Output Level / Impedance (1 kHz):**

Composite video:1 V(p-p)/75 ohm

S-video (Y:luminance):1 V(p-p)/75 ohm

S-video (C:chrominance): 0.286 V(p-p)/75 ohm

Component video (Y): 1.0 V(p-p)/75 ohm

Component video (PB/PR): 0.7 V(p-p)/75 ohm

**Color System:**

NTSC or PAL

**Horizontal Resolution:**

500 lines or more

**Signal-to-Noise Ratio (S/N):**

63 dB

**Synchronize:**

Negative

#### General

**Power Requirements:**

US version : AC 120 V , 60 Hz

EU version : AC 230 V , 50 Hz

**Power Consumption:**

US version : 200 W

EU version : 180 W

2 W (in standby mode)

**Dimensions (W x H x D):**

435 mm x 118 mm x 415 mm

(17 3/16 in. x 4 5/8 in. x 16 3/8 in.)

**Weight:**

9.6 kg (21.2 lbs)

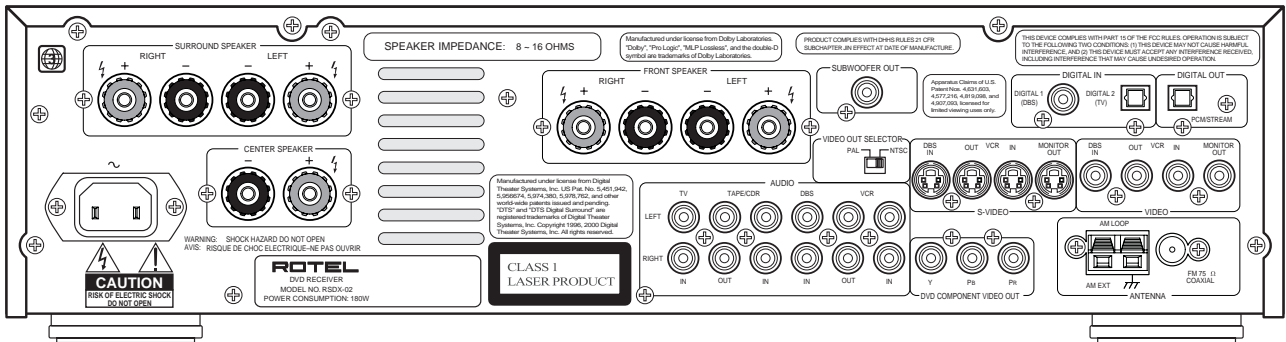
**THE ROTEL CO., LTD.**

SHINSEN-BLD. 4F 10-10 SHINSEN-CHO, SHIBUYA-KU,  
TOKYO 150-0045, JAPAN

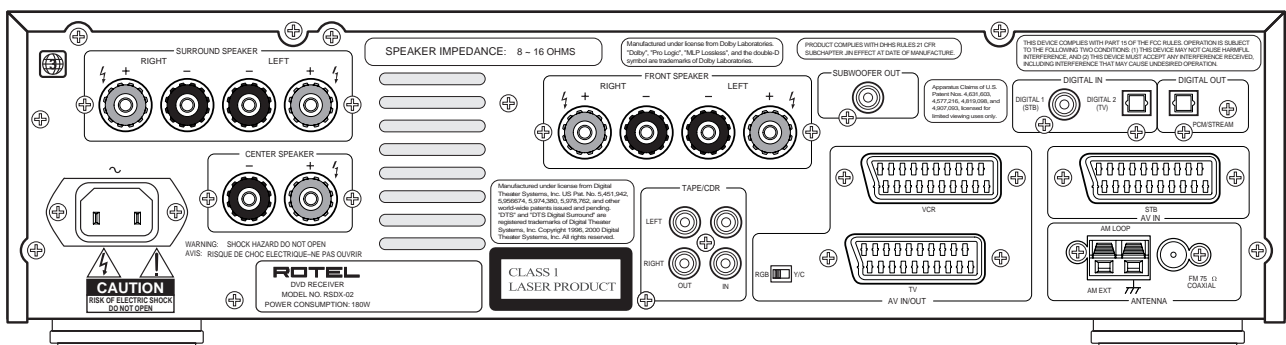
Serial. NO.  
Beginning

Y-374A-0403/pdf

## RSDX-02 US version



## RSDX-02 EU version



## Parts List 1/15

## Amp. board LVA10431

△ Symbol No.	Part No.	Part Name	Description
△ PW101	QUB112-30PPPP	SIN TWIST WIRE	
△ PW102	QUB111-32PPPP	SIN TWIST WIRE	
△ PW103	QUB116-28PPPP	SIN TWIST WIRE	
PW201	QUB110-24PPDM	SIN TWIST WIRE	
△ IC201	JCV8007	IC	
△ IC202	JCV8008	IC	
Q101	KRC105M-T	DIGI TRANSISTOR	
△ Q103	KTC3203/OY-T	TRANSISTOR	
△ Q121	KTA1046/Y/	TRANSISTOR	
Q122	KTC3200/GL-T	TRANSISTOR	
Q231	KTC3200/GL-T	TRANSISTOR	
Q232	KTC3200/GL-T	TRANSISTOR	
Q271	KTC3200/GL-T	TRANSISTOR	
Q272	KTA1268/GL-T	TRANSISTOR	
Q273	KTC3199/GL-T	TRANSISTOR	
Q285	KTA1268/GL-T	TRANSISTOR	
Q291	KTC3200/GL-T	TRANSISTOR	
Q292	KTA1268/GL-T	TRANSISTOR	
Q293	KTC3199/GL-T	TRANSISTOR	
Q1231	KTC3200/GL-T	TRANSISTOR	
Q1232	KTC3200/GL-T	TRANSISTOR	
Q2231	KTC3200/GL-T	TRANSISTOR	
△ D101	11ES2-T4	DIODE	
△ D102	11ES2-T4	DIODE	
△ D103	11ES2-T4	DIODE	
△ D104	11ES2-T4	DIODE	
D105	1SS119-041-T2	DIODE	
D108	1SS119-041-T2	DIODE	
D109	MTZJ6.8C-T2	Z DIODE	
△ D111	30DF2-FC	DIODE	
△ D112	30DF2-FC	DIODE	
△ D113	30DF2-FC	DIODE	
△ D114	30DF2-FC	DIODE	
△ D115	30DF2-FC	DIODE	
△ D116	30DF2-FC	DIODE	
△ D117	30DF2-FC	DIODE	
△ D118	30DF2-FC	DIODE	
△ D119	11ES2-T4	DIODE	
△ D120	11ES2-T4	DIODE	
D121	MTZJ30C-T2	Z DIODE	
D122	MTZJ6.2C-T2	Z DIODE	
D123	1SS119-041-T2	DIODE	
D124	1SS119-041-T2	DIODE	
D221	MTZJ15C-T2	Z DIODE	
D222	MTZJ15C-T2	Z DIODE	
D229	1SS119-041-T2	DIODE	
D230	1SS119-041-T2	DIODE	
D261	1SS119-041-T2	DIODE	
D262	1SS119-041-T2	DIODE	
D271	1SS119-041-T2	DIODE	
D293	1SS119-041-T2	DIODE	
D1221	MTZJ15C-T2	Z DIODE	
D1222	MTZJ15C-T2	Z DIODE	
D1229	1SS119-041-T2	DIODE	
D1230	1SS119-041-T2	DIODE	
D1261	1SS119-041-T2	DIODE	
D2229	1SS119-041-T2	DIODE	
D2261	1SS119-041-T2	DIODE	
C101	QFLC2AJ-472Z	M CAPACITOR	4700pF 100V J
C102	QETN1EM-477Z	E CAPACITOR	470uF 25V M
△ C103	QCZ9104-472	C CAPACITOR	4700pF
C104	QETN1CM-477Z	E CAPACITOR	470uF 16V M
C109	QFZ9076-104Z	MM CAPACITOR	0.1uF
C110	QCE22HP-103	C CAPACITOR	0.01uF 500V P
C111	QFZ9076-104Z	MM CAPACITOR	0.1uF
C112	QCE22HP-103	C CAPACITOR	0.01uF 500V P
C113	QCE22HP-103	C CAPACITOR	0.01uF 500V P
C115	QFZ9076-104Z	MM CAPACITOR	0.1uF
C116	QCE22HP-103	C CAPACITOR	0.01uF 500V P
C117	QCE22HP-103	C CAPACITOR	0.01uF 500V P
C119	QFLC1HJ-473Z	M CAPACITOR	0.047uF 50V J
C120	QFLC1HJ-473Z	M CAPACITOR	0.047uF 50V J
C121	QETN2AM-107Z	E CAPACITOR	100uF 100V M
C122	QETN1HM-476Z	E CAPACITOR	47uF 50V M
C123	QEKC1HM-105Z	E CAPACITOR	1uF 50V M
C200	QCZ0202-155Z	C CAPACITOR	1.5uF 25V Z
C201	QFLC1HJ-471Z	M CAPACITOR	470pF 50V J
C202	QFLC1HJ-471Z	M CAPACITOR	470pF 50V J
C203	QTE1H06-475Z	E CAPACITOR	4.7uF 50V
C204	QTE1H06-475Z	E CAPACITOR	4.7uF 50V
C205	QEKC1AM-107Z	E CAPACITOR	100uF 10V M
C206	QEKC1AM-107Z	E CAPACITOR	100uF 10V M
C207	QCS31HJ-3R0Z	C CAPACITOR	3pF 50V J
C208	QCS31HJ-3R0Z	C CAPACITOR	3pF 50V J
C209	QDVB1EZ-103Y	C CAPACITOR	0.01uF 25V Z
C210	QDVB1EZ-103Y	C CAPACITOR	0.01uF 25V Z
C211	QEZ0588-688	E CAPACITOR	6800uF
C212	QEZ0588-688	E CAPACITOR	6800uF
C213	QEZ0589-478	E CAPACITER	4700uF
C214	QEZ0589-478	E CAPACITER	4700uF
C221	QETN2AM-107Z	E CAPACITOR	100uF 100V M
C222	QETN2AM-107Z	E CAPACITOR	100uF 100V M
C223	QCS31HJ-221Z	C CAPACITOR	220pF 50V J
C224	QCS31HJ-221Z	C CAPACITOR	220pF 50V J
C231	QCBB1HK-222Y	C CAPACITOR	2200pF 50V K
C232	QCBB1HK-222Y	C CAPACITOR	2200pF 50V K
C241	QFLC1HJ-473Z	M CAPACITOR	0.047uF 50V J
C242	QFLC1HJ-473Z	M CAPACITOR	0.047uF 50V J
C243	QFLC1HJ-473Z	M CAPACITOR	0.047uF 50V J
C244	QFLC1HJ-473Z	M CAPACITOR	0.047uF 50V J
C245	QFLC1HJ-104Z	M CAPACITOR	0.1uF 50V J
C246	QFLC1HJ-104Z	M CAPACITOR	0.1uF 50V J
C247	QCS32HJ-221Z	C CAPACITOR	220pF 500V J
C248	QCS32HJ-221Z	C CAPACITOR	220pF 500V J
C249	QCS32HJ-221Z	C CAPACITOR	220pF 500V J
C250	QCS32HJ-221Z	C CAPACITOR	220pF 500V J
C251	QCS32HJ-221Z	C CAPACITOR	220pF 500V J
C252	QCS32HJ-221Z	C CAPACITOR	220pF 500V J
C253	QFLC1HJ-104Z	M CAPACITOR	0.1uF 50V J
C254	QFLC1HJ-104Z	M CAPACITOR	0.1uF 50V J
C261	QFLC1HJ-104Z	M CAPACITOR	0.1uF 50V J
C262	QFLC1HJ-104Z	M CAPACITOR	0.1uF 50V J
C263	QFLC1HJ-104Z	M CAPACITOR	0.1uF 50V J
C264	QFLC1HJ-104Z	M CAPACITOR	0.1uF 50V J
C265	QCS32HJ-221Z	C CAPACITOR	220pF 500V J
C266	QCS32HJ-221Z	C CAPACITOR	220pF 500V J
C267	QCS32HJ-221Z	C CAPACITOR	220pF 500V J
C268	QCS32HJ-221Z	C CAPACITOR	220pF 500V J
C269	QCS32HJ-221Z	C CAPACITOR	220pF 500V J
C270	QCS32HJ-221Z	C CAPACITOR	220pF 500V J
C271	QEKC1EM-106Z	E CAPACITOR	10uF 25V M
C272	QEKC1CM-476Z	E CAPACITOR	47uF 16V M
C285	QETN2AM-106Z	E CAPACITOR	10uF 100V M
C291	QEKC1EM-106Z	E CAPACITOR	10uF 25V M
C292	QEKC1CM-476Z	E CAPACITOR	47uF 16V M
C1201	QFLC1HJ-471Z	M CAPACITOR	470pF 50V J
C1202	QFLC1HJ-471Z	M CAPACITOR	470pF 50V J
C1203	QTE1H06-475Z	E CAPACITOR	4.7uF 50V
C1204	QTE1H06-475Z	E CAPACITOR	4.7uF 50V
C1205	QEKC1AM-107Z	E CAPACITOR	100uF 10V M
C1206	QEKC1AM-107Z	E CAPACITOR	100uF 10V M
C1207	QCS31HJ-3R0Z	C CAPACITOR	3pF 50V J
C1208	QCS31HJ-3R0Z	C CAPACITOR	3pF 50V J
C1221	QETN2AM-107Z	E CAPACITOR	100uF 100V M
C1222	QETN2AM-107Z	E CAPACITOR	100uF 100V M
C1223	QCS31HJ-221Z	C CAPACITOR	220pF 50V J
C1224	QCS31HJ-221Z	C CAPACITOR	220pF 50V J
C1241	QFLC1HJ-473Z	M CAPACITOR	0.047uF 50V J
C1242	QFLC1HJ-473Z	M CAPACITOR	0.047uF 50V J
C1243	QFLC1HJ-473Z	M CAPACITOR	0.047uF 50V J
C1244	QFLC1HJ-473Z	M CAPACITOR	0.047uF 50V J
C1245	QFLC1HJ-104Z	M CAPACITOR	0.1uF 50V J

△ Symbol No.	Part No.	Part Name	Description
C1246	QFLC1HJ-104Z	M CAPACITOR	0.1uF 50V J
C1247	QCS32HJ-221Z	C CAPACITOR	220pF 500V J
C1248	QCS32HJ-221Z	C CAPACITOR	220pF 500V J
C1249	QCS32HJ-221Z	C CAPACITOR	220pF 500V J
C1250	QCS32HJ-221Z	C CAPACITOR	220pF 500V J
C1250	QCS32HJ-470Z	C CAPACITOR	47pF 500V J
C1251	QCS32HJ-221Z	C CAPACITOR	220pF 500V J
C1252	QCS32HJ-221Z	C CAPACITOR	220pF 500V J
C1252	QCS32HJ-470Z	C CAPACITOR	47pF 500V J
C1253	QFLC1HJ-104Z	M CAPACITOR	0.1uF 50V J
C1254	QFLC1HJ-104Z	M CAPACITOR	0.1uF 50V J
C2201	QFLC1HJ-471Z	M CAPACITOR	470pF 50V J
C2203	QTE1H06-475Z	E CAPACITOR	4.7uF 50V
C2205	QEKC1AM-107Z	E CAPACITOR	100uF 10V M
C2207	QCS31HJ-3R0Z	C CAPACITOR	3pF 50V J
C2223	QCS31HJ-221Z	C CAPACITOR	220pF 50V J
C2241	QFLC1HJ-473Z	M CAPACITOR	0.047uF 50V J
C2243	QFLC1HJ-473Z	M CAPACITOR	0.047uF 50V J
C2245	QFLC1HJ-104Z	M CAPACITOR	0.1uF 50V J
C2247	QCS32HJ-221Z	C CAPACITOR	220pF 500V J
C2249	QCS31HJ-331Z	C CAPACITOR	330pF 50V J
C2251	QCS31HJ-331Z	C CAPACITOR	330pF 50V J
C2253	QFLC1HJ-104Z	M CAPACITOR	0.1uF 50V J
△ R102	QRJ146J-100X	UNF C RESISTOR	10Ω 1/4W J
△ R105	QRJ146J-821X	UNF C RESISTOR	820Ω 1/4W J
△ R106	QRJ146J-100X	UNF C RESISTOR	10Ω 1/4W J
△ R111	QRJ146J-2R7X	UNF C RESISTOR	2.7Ω 1/4W J
△ R121	QRZ9005-100X	FUSI RESISTOR	10Ω
△ R122	QRJ146J-682X	UNF C RESISTOR	6.8kΩ 1/4W J
△ R123	QRJ146J-100X	UNF C RESISTOR	10Ω 1/4W J
△ R124	QRE141J-104Y	C RESISTOR	100kΩ 1/4W J
△ R125	QRJ146J-680X	UNF C RESISTOR	68Ω 1/4W J
△ R126	QRJ146J-680X	UNF C RESISTOR	68Ω 1/4W J
R201	QRE141J-102Y	C RESISTOR	1kΩ 1/4W J
R202	QRE141J-102Y	C RESISTOR	1kΩ 1/4W J
R203	QRE141J-563Y	C RESISTOR	56kΩ 1/4W J
R204	QRE141J-563Y	C RESISTOR	56kΩ 1/4W J
△ R205	QRJ146J-471X	UNF C RESISTOR	470Ω 1/4W J
△ R206	QRJ146J-471X	UNF C RESISTOR	470Ω 1/4W J
R207	QRE141J-563Y	C RESISTOR	56kΩ 1/4W J
R208	QRE141J-563Y	C RESISTOR	56kΩ 1/4W J
R209	QRE141J-333Y	C RESISTOR	33kΩ 1/4W J
△ R221	QRJ146J-101X	UNF C RESISTOR	100Ω 1/4W J
△ R222	QRJ146J-101X	UNF C RESISTOR	100Ω 1/4W J
△ R223	QRL017J-152	OMF RESISTOR	1.5kΩ 1W J
△ R224	QRL017J-152	OMF RESISTOR	1.5kΩ 1W J
△ R225	QRZ0224-R22	EMIT RESISTOR	0.22Ω
△ R226	QRZ0224-R22	EMIT RESISTOR	0.22Ω
R227	QRE141J-102Y	C RESISTOR	1kΩ 1/4W J
R228	QRE141J-102Y	C RESISTOR	1kΩ 1/4W J
R229	QRE141J-183Y	C RESISTOR	18kΩ 1/4W J
R230	QRE141J-183Y	C RESISTOR	18kΩ 1/4W J
R231	QRE141J-473Y	C RESISTOR	47kΩ 1/4W J
R232	QRE141J-473Y	C RESISTOR	47kΩ 1/4W J
△ R233	QRJ146J-101X	UNF C RESISTOR	100Ω 1/4W J
△ R234	QRJ146J-2R2X	UNF C RESISTOR	2.2Ω 1/4W J
△ R235	QRJ146J-2R2X	UNF C RESISTOR	2.2Ω 1/4W J
△ R236	QRJ146J-2R2X	UNF C RESISTOR	2.2Ω 1/4W J
△ R237	QRJ146J-2R2X	UNF C RESISTOR	2.2Ω 1/4W J
R241	QRJ146J-330X	UNF C RESISTOR	33Ω 1/4W J
R242	QRJ146J-330X	UNF C RESISTOR	33Ω 1/4W J
△ R243	QRL027J-100	OMF RESISTOR	10Ω 2W J
△ R244	QRL027J-100	OMF RESISTOR	10Ω 2W J
△ R245	QRJ146J-3R9X	UNF C RESISTOR	3.9Ω 1/4W J

△ Symbol No.	Part No.	Part Name	Description
△ R246	QRJ146J-3R9X	UNF C RESISTOR	3.9Ω 1/4W J
△ R261	QRJ146J-181X	UNF C RESISTOR	180Ω 1/4W J
△ R262	QRJ146J-181X	UNF C RESISTOR	180Ω 1/4W J
△ R263	QRJ146J-3R9X	UNF C RESISTOR	3.9Ω 1/4W J
△ R264	QRJ146J-3R9X	UNF C RESISTOR	3.9Ω 1/4W J
R271	QRE141J-104Y	C RESISTOR	100kΩ 1/4W J
R272	QRE141J-823Y	C RESISTOR	82kΩ 1/4W J
R273	QRE141J-104Y	C RESISTOR	100kΩ 1/4W J
R274	QRE141J-104Y	C RESISTOR	100kΩ 1/4W J
R275	QRE141J-104Y	C RESISTOR	100kΩ 1/4W J
R276	QRE141J-104Y	C RESISTOR	100kΩ 1/4W J
R277	QRE141J-104Y	C RESISTOR	100kΩ 1/4W J
R278	QRE141J-103Y	C RESISTOR	10kΩ 1/4W J
R279	QRE141J-103Y	C RESISTOR	10kΩ 1/4W J
R280	QRE141J-101Y	C RESISTOR	100Ω 1/4W J
△ R281	QRL027J-471	OMF RESISTOR	470Ω 2W J
△ R282	QRL027J-471	OMF RESISTOR	470Ω 2W J
R285	QRE141J-103Y	C RESISTOR	10kΩ 1/4W J
R286	QRE141J-104Y	C RESISTOR	100kΩ 1/4W J
R291	QRE141J-104Y	C RESISTOR	100kΩ 1/4W J
R292	QRE141J-104Y	C RESISTOR	100kΩ 1/4W J
R293	QRE141J-103Y	C RESISTOR	10kΩ 1/4W J
R294	QRE141J-103Y	C RESISTOR	10kΩ 1/4W J
R295	QRE141J-104Y	C RESISTOR	100kΩ 1/4W J
R296	QRE141J-104Y	C RESISTOR	100kΩ 1/4W J
R1201	QRE141J-102Y	C RESISTOR	1kΩ 1/4W J
R1202	QRE141J-102Y	C RESISTOR	1kΩ 1/4W J
R1203	QRE141J-563Y	C RESISTOR	56kΩ 1/4W J
R1204	QRE141J-563Y	C RESISTOR	56kΩ 1/4W J
△ R1205	QRJ146J-391X	UNF C RESISTOR	390Ω 1/4W J
△ R1206	QRJ146J-391X	UNF C RESISTOR	390Ω 1/4W J
R1207	QRE141J-563Y	C RESISTOR	56kΩ 1/4W J
R1208	QRE141J-563Y	C RESISTOR	56kΩ 1/4W J
R1209	QRE141J-333Y	C RESISTOR	33kΩ 1/4W J
△ R1221	QRJ146J-101X	UNF C RESISTOR	100Ω 1/4W J
△ R1222	QRJ146J-101X	UNF C RESISTOR	100Ω 1/4W J
△ R1223	QRL017J-152	OMF RESISTOR	1.5kΩ 1W J
△ R1224	QRL017J-152	OMF RESISTOR	1.5kΩ 1W J
△ R1225	QRZ0224-R22	EMIT RESISTOR	0.22Ω
△ R1226	QRZ0224-R22	EMIT RESISTOR	0.22Ω
R1227	QRE141J-102Y	C RESISTOR	1kΩ 1/4W J
R1228	QRE141J-102Y	C RESISTOR	1kΩ 1/4W J
R1229	QRE141J-183Y	C RESISTOR	18kΩ 1/4W J
R1230	QRE141J-183Y	C RESISTOR	18kΩ 1/4W J
R1231	QRE141J-473Y	C RESISTOR	47kΩ 1/4W J
R1232	QRE141J-473Y	C RESISTOR	47kΩ 1/4W J
△ R1233	QRJ146J-101X	UNF C RESISTOR	100Ω 1/4W J
△ R1234	QRJ146J-2R2X	UNF C RESISTOR	2.2Ω 1/4W J
△ R1235	QRJ146J-2R2X	UNF C RESISTOR	2.2Ω 1/4W J
△ R1236	QRJ146J-2R2X	UNF C RESISTOR	2.2Ω 1/4W J
△ R1237	QRJ146J-2R2X	UNF C RESISTOR	2.2Ω 1/4W J
R1241	QRJ146J-330X	UNF C RESISTOR	33Ω 1/4W J
R1242	QRJ146J-330X	UNF C RESISTOR	33Ω 1/4W J
△ R1243	QRL027J-100	OMF RESISTOR	10Ω 2W J
△ R1244	QRL027J-100	OMF RESISTOR	10Ω 2W J
△ R1245	QRJ146J-3R9X	UNF C RESISTOR	3.9Ω 1/4W J
△ R1246	QRJ146J-3R9X	UNF C RESISTOR	3.9Ω 1/4W J
△ R1261	QRJ146J-181X	UNF C RESISTOR	180Ω 1/4W J
R2201	QRE141J-102Y	C RESISTOR	1kΩ 1/4W J
R2203	QRE141J-563Y	C RESISTOR	56kΩ 1/4W J
△ R2205	QRJ146J-391X	UNF C RESISTOR	390Ω 1/4W J
R2207	QRE141J-563Y	C RESISTOR	56kΩ 1/4W J
△ R2225	QRZ0224-R22	EMIT RESISTOR	0.22Ω
R2227	QRE141J-102Y	C RESISTOR	1kΩ 1/4W J
R2229	QRE141J-183Y	C RESISTOR	18kΩ 1/4W J
R2231	QRE141J-473Y	C RESISTOR	47kΩ 1/4W J
R2241	QRJ146J-330X	UNF C RESISTOR	33Ω 1/4W J
△ R2243	QRL027J-100	OMF RESISTOR	10Ω 2W J
△ R2245	QRJ146J-3R9X	UNF C RESISTOR	3.9Ω 1/4W J
△ R2261	QRJ146J-181X	UNF C RESISTOR	180Ω 1/4W J
L241	QQLZ005-R45	COIL	0.45uH
L242	QQLZ005-R45	COIL	0.45uH
L243	QQLZ005-R45	COIL	0.45uH
L244	QQLZ005-R45	COIL	0.45uH
L1241	QQLZ005-R45	COIL	0.45uH
L1242	QQLZ005-R45	COIL	0.45uH
L1243	QQLZ005-R45	COIL	0.45uH

△ Symbol No.	Part No.	Part Name	Description	△ Symbol No.	Part No.	Part Name	Description
L1244	QQLZ005-R45	COIL	0.45uH	C706	NCB31HK-471X	C CAPACITOR	470pF 50V K
L2241	QQLZ005-R45	COIL	0.45uH	C708	NCB31HK-223X	C CAPACITOR	0.022uF 50V K
L2243	QQLZ005-R45	COIL	0.45uH	C709	NCF31CZ-104X	C CAPACITOR	0.1uF 16V Z
△ T102	QQT0281-002	POWER TRANSF		C710	NCF31CZ-104X	C CAPACITOR	0.1uF 16V Z
CN101	QGA7901C1-02	CONNECTOR	W-B (1-2)	C711	QEKC0JM-107Z	E CAPACITOR	100uF 6.3V M
CN111	QGA3901C1-05	CONNECTOR	W-B (1-5)	C712	QCZ0202-155Z	C CAPACITOR	1.5uF 25V Z
CN113	QJK012-051700	SIN CR C-B WIRE		C713	QEKC1HM-475Z	E CAPACITOR	4.7uF 50V M
CN115	QGF1205C1-10	CONNECTOR	FFC/FPC (1-10)	C714	QEKC1HM-475Z	E CAPACITOR	4.7uF 50V M
CN201	QGA3901F2-05	CONNECTOR	W-B (1-5)	C715	QEKC1HM-475Z	E CAPACITOR	4.7uF 50V M
CN202	QGB2510J1-11	CONNECTOR	B-B (1-11)	C717	NCF31CZ-104X	C CAPACITOR	0.1uF 16V Z
CN203	QGB2510J1-05	CONNECTOR	B-B (1-5)	C718	NCF31CZ-104X	C CAPACITOR	0.1uF 16V Z
CN204	QGB2510J1-07	CONNECTOR	B-B (1-7)	C720	NCB31EK-223X	C CAPACITOR	0.022uF 25V K
CN213	QGB2510K1-05	CONNECTOR	B-B (1-5)	R287	NRSA63J-0R0X	MG RESISTOR	0Ω 1/16W J
CN214	QGB2510K1-07	CONNECTOR	B-B (1-7)	R288	NRSA63J-0R0X	MG RESISTOR	0Ω 1/16W J
CN222	WJP0040-001A	E-SH C WIRE C-B		R289	NRSA63J-0R0X	MG RESISTOR	0Ω 1/16W J
EP102	QNZ0136-001Z	EARTH PLATE		R667	NRSA63J-0R0X	MG RESISTOR	0Ω 1/16W J
FC100	QNG0020-001Z	FUSE CLIP		R668	NRSA63J-0R0X	MG RESISTOR	0Ω 1/16W J
FC101	QNG0020-001Z	FUSE CLIP		R669	NRSA63J-0R0X	MG RESISTOR	0Ω 1/16W J
FC102	QNG0020-001Z	FUSE CLIP		R701	NRSA63J-103X	MG RESISTOR	10kΩ 1/16W J
FC103	QNG0020-001Z	FUSE CLIP		R702	NRSA63J-102X	MG RESISTOR	1kΩ 1/16W J
J201	QNN0545-002	SURROUND JACK		R703	NRSA63J-103X	MG RESISTOR	10kΩ 1/16W J
△ RY101	QSK0142-001	RELAY		R704	NRSA63J-102X	MG RESISTOR	1kΩ 1/16W J
△ RY125	QSK0082-001	RELAY		R705	NRSA63J-102X	MG RESISTOR	1kΩ 1/16W J
△ RY126	QSK0082-001	RELAY		R706	NRSA63J-122X	MG RESISTOR	1.2kΩ 1/16W J
△ RY261	QSK0109-001	RELAY		R707	NRSA63J-103X	MG RESISTOR	10kΩ 1/16W J
△ RY262	QSK0109-001	RELAY		R708	NRSA63J-102X	MG RESISTOR	1kΩ 1/16W J
△ RY263	QSK0109-001	RELAY		R709	NRSA63J-102X	MG RESISTOR	1kΩ 1/16W J
△ RY264	QSK0109-001	RELAY		R710	NRSA63J-122X	MG RESISTOR	1.2kΩ 1/16W J
TA101	QNZ0079-001Z	TAB		R711	NRSA63J-152X	MG RESISTOR	1.5kΩ 1/16W J
TA102	QNZ0079-001Z	TAB		R712	NRSA63J-222X	MG RESISTOR	2.2kΩ 1/16W J
△ OT1	QRJ146J-3R9X	UNF C RESISTOR	3.9Ω 1/4W J(x2)	R713	NRSA63J-272X	MG RESISTOR	2.7kΩ 1/16W J
				R714	NRSA63J-103X	MG RESISTOR	10kΩ 1/16W J
				R715	NRSA63J-102X	MG RESISTOR	1kΩ 1/16W J
				R716	NRSA63J-102X	MG RESISTOR	1kΩ 1/16W J
				R717	NRSA63J-122X	MG RESISTOR	1.2kΩ 1/16W J
				R718	NRSA63J-152X	MG RESISTOR	1.5kΩ 1/16W J
				R719	NRSA63J-222X	MG RESISTOR	2.2kΩ 1/16W J
				R720	NRSA63J-272X	MG RESISTOR	2.7kΩ 1/16W J
				R721	NRSA63J-392X	MG RESISTOR	3.9kΩ 1/16W J
				R722	NRSA63J-103X	MG RESISTOR	10kΩ 1/16W J
				R723	NRSA63J-102X	MG RESISTOR	1kΩ 1/16W J
				R724	NRSA63J-102X	MG RESISTOR	1kΩ 1/16W J
				R725	NRSA63J-122X	MG RESISTOR	1.2kΩ 1/16W J
				R726	NRSA63J-152X	MG RESISTOR	1.5kΩ 1/16W J
				R727	NRSA63J-222X	MG RESISTOR	2.2kΩ 1/16W J
				R728	NRSA63J-272X	MG RESISTOR	2.7kΩ 1/16W J
				R729	NRSA63J-392X	MG RESISTOR	3.9kΩ 1/16W J
				R730	NRSA63J-152X	MG RESISTOR	1.5kΩ 1/16W J
				R731	NRSA63J-103X	MG RESISTOR	10kΩ 1/16W J
				R733	NRSA63J-103X	MG RESISTOR	10kΩ 1/16W J
				R734	NRSA63J-102X	MG RESISTOR	1kΩ 1/16W J
				R735	NRSA63J-102X	MG RESISTOR	1kΩ 1/16W J
				R740	NRSA63J-222X	MG RESISTOR	2.2kΩ 1/16W J
				R741	NRSA63J-103X	MG RESISTOR	10kΩ 1/16W J
				R743	NRSA63J-221X	MG RESISTOR	220Ω 1/16W J
				R744	NRSA63J-222X	MG RESISTOR	2.2kΩ 1/16W J
				R745	NRSA63J-221X	MG RESISTOR	220Ω 1/16W J
				R746	NRSA63J-751X	MG RESISTOR	750Ω 1/16W J
				R747	NRSA63J-221X	MG RESISTOR	220Ω 1/16W J
				R749	NRSA63J-221X	MG RESISTOR	220Ω 1/16W J
				R750	NRSA63J-0R0X	MG RESISTOR	0Ω 1/16W J
				R751	NRSA63J-221X	MG RESISTOR	220Ω 1/16W J
				R752	NRSA63J-103X	MG RESISTOR	10kΩ 1/16W J
				R753	NRSA63J-103X	MG RESISTOR	10kΩ 1/16W J
				R754	NRSA63J-103X	MG RESISTOR	10kΩ 1/16W J
				R758	NRSA63J-221X	MG RESISTOR	220Ω 1/16W J
				R759	NRSA63J-0R0X	MG RESISTOR	0Ω 1/16W J
				R1291	NRSA63J-471X	MG RESISTOR	470Ω 1/16W J
				R1292	NRSA63J-471X	MG RESISTOR	470Ω 1/16W J
				R1701	NRSA63J-221X	MG RESISTOR	220Ω 1/16W J
				R1702	NRSA63J-221X	MG RESISTOR	220Ω 1/16W J
				R1703	NRSA63J-221X	MG RESISTOR	220Ω 1/16W J
				R1704	NRSA63J-221X	MG RESISTOR	220Ω 1/16W J
				R1705	NRSA63J-221X	MG RESISTOR	220Ω 1/16W J
				R1706	NRSA63J-102X	MG RESISTOR	1kΩ 1/16W J
				R1710	NRSA63J-0R0X	MG RESISTOR	0Ω 1/16W J
				R1712	NRSA63J-0R0X	MG RESISTOR	0Ω 1/16W J

## Front board LVA10432

△ Symbol No.	Part No.	Part Name	Description
PW701	QUB220-08HPDM	SIN TWIST WIRE	
IC701	MN101C35DKF	PANEL MICOM	
Q700	KRC107S-X	DIGI TRANSISTOR	
Q701	KRC107S-X	DIGI TRANSISTOR	
Q702	KRA107S-X	DIGI TRANSISTOR	
Q703	KRA114S-X	TRANSISTOR	
Q704	KRA107S-X	DIGI TRANSISTOR	
Q705	KRA114S-X	TRANSISTOR	
Q706	KRA107S-X	DIGI TRANSISTOR	
Q708	KRA107S-X	DIGI TRANSISTOR	
Q710	KRA107S-X	DIGI TRANSISTOR	
Q711	KRA107S-X	DIGI TRANSISTOR	
D703	SLR-342VC-T	LED	
D704	QLMP-KB49	LED	
D705	SLR-342DC-T	LED	
D706	SLR-342DC-T	LED	
D708	SLR-342DC-T	LED	
D710	MA3082/H/-X	Z DIODE	
D711	MA3082/H/-X	Z DIODE	
C281	NCB31HK-331X	C CAPACITOR	330pF 50V K
C282	NCB31HK-331X	C CAPACITOR	330pF 50V K
C283	NCF31CZ-104X	C CAPACITOR	0.1uF 16V Z
C700	QFLC1HJ-124Z	M CAPACITOR	0.12uF 50V J
C701	NCB31HK-471X	C CAPACITOR	470pF 50V K
C702	NCB31HK-471X	C CAPACITOR	470pF 50V K
C703	NCB31HK-471X	C CAPACITOR	470pF 50V K
C704	NCB31HK-471X	C CAPACITOR	470pF 50V K
C705	NCB31HK-471X	C CAPACITOR	470pF 50V K

△ Symbol No.	Part No.	Part Name	Description	△ Symbol No.	Part No.	Part Name	Description
R1755	NRSA63J-222X	MG RESISTOR	2.2kΩ 1/16W J	Q143	KRC102S-X	DIGI TRANSISTOR	
R1756	NRSA63J-222X	MG RESISTOR	2.2kΩ 1/16W J	△ Q145	2SD2395/EF/	TRANSTRANSISTOR	
R1757	NRSA63J-101X	MG RESISTOR	100Ω 1/16W J	△ Q151	2SD2395/EF/	TRANSTRANSISTOR	
L751	NQL114K-470X	COIL	47uH K	△ Q152	2SD2395/EF/	TRANSTRANSISTOR	
L752	NQL114K-470X	COIL	47uH K	Q153	KRA102S-X	DIGI TRANSISTOR	
BK701	LV42882-001A	FL HOLDER		△ Q154	2SD2395/EF/	TRANSTRANSISTOR	
BK702	LV42881-001A	FL HOLDER		Q155	KRA102S-X	DIGI TRANSISTOR	
CN242	QGB2510K1-11	CONNECTOR	B-B (1-11)	Q156	KRC102S-X	DIGI TRANSISTOR	
CN252	QGB2510K1-11	CONNECTOR	B-B (1-11)	Q157	KRC102S-X	DIGI TRANSISTOR	
CN604	QGB2510K1-13	CONNECTOR	B-B (1-13)	Q158	KRC102S-X	DIGI TRANSISTOR	
CN611	QGB2510K1-13	CONNECTOR	B-B (1-13)	Q159	KRC102S-X	DIGI TRANSISTOR	
CN701	QGF1205F1-13	CONNECTOR	FFC/FPC (1-13)	△ Q161	2SD2395/EF/	TRANSTRANSISTOR	
CN703	QGA2001F1-03	CONNECTOR	W-B (1-3)	△ Q162	KTA1046/Y/	TRANSISTOR	
CN713	QJK021-030603	SIN CR C-B WIRE		△ Q163	KTC3203/OY/-T	TRANSISTOR	
DI701	QLF0115-001	FL TUBE		△ Q164	KTA1271/OY/-T	TRANSISTOR	
EP281	QNZ0136-001Z	EARTH PLATE		△ Q165	2SD2395/EF/	TRANSTRANSISTOR	
FS700	E3400-431	SPACER		△ Q171	KTC3203/OY/-T	TRANSISTOR	
FW241	QUM214-15DGZ4	PARA RIBON WIRE		Q172	KRA102S-X	DIGI TRANSISTOR	
FW281	QUM213-18DGZ4	PARA RIBON WIRE		Q173	KRC102S-X	DIGI TRANSISTOR	
FW701	QUM214-05Z4Z4	PARA RIBON WIRE		△ Q181	2SD2395/EF/	TRANSTRANSISTOR	
FW702	QUM213-08Z4Z4	PARA RIBON WIRE		△ Q182	2SD2395/EF/	TRANSTRANSISTOR	
FW703	QUM212-05Z4Z4	RIBON WIRE		△ Q183	2SD2395/EF/	TRANSTRANSISTOR	
JS701	QSW1017-001	JOG VOLUME		Q191	KRC102S-X	DIGI TRANSISTOR	
K285	NQR0389-003X	FERRITE BEADS		Q192	KRC102S-X	DIGI TRANSISTOR	
S703	QSW0683-001Z	PUSH SW		Q193	KRC102S-X	DIGI TRANSISTOR	
S704	QSW0683-001Z	PUSH SW		△ Q194	KTC3203/OY/-T	TRANSISTOR	
S705	QSW0683-001Z	PUSH SW		Q381	2SC3576-JVC-T	TRANSISTOR	
S706	QSW0683-001Z	PUSH SW		Q382	2SC3576-JVC-T	TRANSISTOR	
S707	QSW0683-001Z	PUSH SW		Q383	2SC3576-JVC-T	TRANSISTOR	
S708	QSW0683-001Z	PUSH SW		Q384	2SC3576-JVC-T	TRANSISTOR	
S709	QSW0683-001Z	PUSH SW		Q385	2SC3576-JVC-T	TRANSISTOR	
S710	QSW0683-001Z	PUSH SW		Q386	KRA104S-X	DIGI TRANSISTOR	
S711	QSW0683-001Z	PUSH SW		Q433	KRC107S-X	DIGI TRANSISTOR	
S712	QSW0683-001Z	PUSH SW		Q434	KRC102S-X	DIGI TRANSISTOR	
S713	QSW0683-001Z	PUSH SW		Q435	KRC102S-X	DIGI TRANSISTOR	
S714	QSW0683-001Z	PUSH SW		Q760	KRC105S-X	CHIP D.TRANSISTOR	
S715	QSW0683-001Z	PUSH SW		Q761	KTC3199/GL/-T	TRANSISTOR	
S716	QSW0683-001Z	PUSH SW		Q762	KTC3199/GL/-T	TRANSISTOR	
S717	QSW0683-001Z	PUSH SW		Q763	KTC3199/GL/-T	TRANSISTOR	
S718	QSW0683-001Z	PUSH SW		Q764	KTC3199/GL/-T	TRANSISTOR	
S719	QSW0683-001Z	PUSH SW		Q765	KRC102S-X	DIGI TRANSISTOR	
S720	QSW0683-001Z	PUSH SW		Q766	KRC105S-X	CHIP D.TRANSISTOR	
S721	QSW0683-001Z	PUSH SW		Q767	KRC105S-X	CHIP D.TRANSISTOR	
S722	QSW0683-001Z	PUSH SW		Q768	KRC105S-X	CHIP D.TRANSISTOR	
S723	QSW0683-001Z	PUSH SW		Q769	KRC105S-X	CHIP D.TRANSISTOR	
S724	QSW0683-001Z	PUSH SW		Q770	2SD1328/ST/-X	TRANSISTOR	
S725	QSW0683-001Z	PUSH SW		Q771	KRC107S-X	DIGI TRANSISTOR	
△ TH291	QAD0125-471	P THERMISTOR	110Åé 470Ω 16V	Q799	KRC102S-X	DIGI TRANSISTOR	
X701	QAX0246-001Z	C RESONATOR	8.00MHz	Q1381	2SC3576-JVC-T	TRANSISTOR	
				Q1382	2SC3576-JVC-T	TRANSISTOR	
				Q1383	KRA104S-X	DIGI TRANSISTOR	

**Main board LVA10430**

△ Symbol No.	Part No.	Part Name	Description
△ IC191	SI-8033JF	IC	
△ IC192	SI-8050JF-F1	IC	
△ IC193	SI-8090JF	IC	
IC301	M61516FP	IC	
IC302	SAA6588	IC(RDS)	
IC303	HA17558AF-X	IC	
IC401	LA73054-X	IC	
IC761	MN101CF49K	IC(MCU)106	
IC761	MN101C49GMM1	IC	
IC763	IC-PST9139-T	IC	
△ Q141	2SD2395/EF/	TRANSTRANSISTOR	
Q142	KRA102S-X	DIGI TRANSISTOR	

D125	11ES2-T4	DIODE
D126	11ES2-T4	DIODE
D127	11ES2-T4	DIODE
D128	MA111-X	SI DIODE
△ D131	10E2-FD	DIODE
△ D132	10E2-FD	DIODE
△ D133	11ES2-T4	DIODE
△ D134	11ES2-T4	DIODE
D141	MTZJ5.6C-T2	Z DIODE
D145	MTZJ6.2C-T2	Z DIODE
D151	MTZJ5.6C-T2	Z DIODE
D155	MA111-X	SI DIODE
D156	MTZJ16C-T2	Z DIODE
D157	MTZJ13C-T2	Z DIODE
D158	MTZJ10C-T2	Z DIODE
D159	MTZJ7.5C-T2	Z DIODE
D161	MTZJ13C-T2	Z DIODE
D162	MTZJ13C-T2	Z DIODE
D163	MTZJ7.5C-T2	Z DIODE
D164	MTZJ7.5C-T2	Z DIODE
D171	MTZJ11C-T2	Z DIODE
D172	MA111-X	SI DIODE
D181	MTZJ13C-T2	Z DIODE
D182	MTZJ5.6C-T2	Z DIODE
D187	MTZJ3.9B-T2	Z DIODE
D188	MTZJ5.6C-T2	Z DIODE

△ Symbol No.	Part No.	Part Name	Description	△ Symbol No.	Part No.	Part Name	Description
D189	MTZJ10C-T2	Z DIODE		C383	QTE1H06-475Z	E CAPACITOR	4.7uF 50V
△ D191	SFPB-54-W	DIODE		C384	QTE1H06-475Z	E CAPACITOR	4.7uF 50V
△ D192	SFPB-54-W	DIODE		C385	QTE1H06-475Z	E CAPACITOR	4.7uF 50V
△ D193	SFPB-54-W	DIODE		C386	QEKC1HM-106Z	E CAPACITOR	10uF 50V M
D194	MTZJ5.6C-T2	Z DIODE		C387	QCB1HK-101Y	C CAPACITOR	100pF 50V K
D195	MA111-X	SI DIODE		C400	NCS31HJ-101X	C CAPACITOR	100pF 50V J
D196	MA111-X	SI DIODE		C401	QETN0JM-477Z	E CAPACITOR	470uF 6.3V M
D197	MA111-X	SI DIODE		C402	NCF31CZ-104X	C CAPACITOR	0.1uF 16V Z
D291	MA111-X	SI DIODE		C403	QETN1CM-476Z	E CAPACITOR	47uF 16V M
D761	MA111-X	SI DIODE		C404	QFVF1HJ-104Z	MF CAPACITOR	0.1uF 50V J
D762	MA111-X	SI DIODE		C405	QFVF1HJ-104Z	MF CAPACITOR	0.1uF 50V J
D791	MTZJ6.2C-T2	Z DIODE		C406	QFVF1HJ-104Z	MF CAPACITOR	0.1uF 50V J
D1391	MA111-X	SI DIODE		C407	QFVF1HJ-104Z	MF CAPACITOR	0.1uF 50V J
D1392	MTZJ4.7C-T2	Z DIODE		C408	QFVF1HJ-104Z	MF CAPACITOR	0.1uF 50V J
				C409	QETN0JM-477Z	E CAPACITOR	470uF 6.3V M
C131	QFLC2AJ-104Z	M CAPACITOR	0.1uF 100V J	C410	QETN0JM-477Z	E CAPACITOR	470uF 6.3V M
C132	QFLC2AJ-104Z	M CAPACITOR	0.1uF 100V J	C411	NCF31CZ-104X	C CAPACITOR	0.1uF 16V Z
C133	QFLC2AJ-104Z	M CAPACITOR	0.1uF 100V J	C412	QETN0JM-477Z	E CAPACITOR	470uF 6.3V M
C135	QETM1VM-338	E CAPACITOR	3300uF 35V M	C413	NCF31CZ-104X	C CAPACITOR	0.1uF 16V Z
C136	QETM1VM-108	E CAPACITOR	1000uF 35V M	C421	NCS31HJ-470X	C CAPACITOR	47pF 50V J
C141	QETN1EM-107Z	E CAPACITOR	100uF 25V M	C422	QETN0JM-477Z	E CAPACITOR	470uF 6.3V M
C145	QETN1EM-107Z	E CAPACITOR	100uF 25V M	C423	QETN0JM-477Z	E CAPACITOR	470uF 6.3V M
C151	QETN1EM-107Z	E CAPACITOR	100uF 25V M	C424	NCS31HJ-470X	C CAPACITOR	47pF 50V J
C158	NCB31HK-103X	C CAPACITOR	0.01uF 50V K	C425	QETN0JM-477Z	E CAPACITOR	470uF 6.3V M
C159	QETN1HM-106Z	E CAPACITOR	10uF 50V M	C426	NCS31HJ-470X	C CAPACITOR	47pF 50V J
C161	QETN1EM-107Z	E CAPACITOR	100uF 25V M	C427	QETN0JM-477Z	E CAPACITOR	470uF 6.3V M
C162	QEKC1EM-476Z	E CAPACITOR	47uF 25V M	C428	NCS31HJ-470X	C CAPACITOR	47pF 50V J
C163	QEKC1EM-476Z	E CAPACITOR	47uF 25V M	C429	QEKC1HM-475Z	E CAPACITOR	4.7uF 50V M
C164	QEKC1EM-476Z	E CAPACITOR	47uF 25V M	C760	QETN0JM-228Z	E CAPACITOR	2200uF 6.3V M
C171	QETN1EM-107Z	E CAPACITOR	100uF 25V M	C761	NCS31HJ-101X	C CAPACITOR	100pF 50V J
C181	QETN1CM-477Z	E CAPACITOR	470uF 16V M	C762	NCS31HJ-101X	C CAPACITOR	100pF 50V J
C182	QEKC1EM-476Z	E CAPACITOR	47uF 25V M	C765	NCB31HK-223X	C CAPACITOR	0.022uF 50V K
C183	NCB31HK-122X	C CAPACITOR	1200pF 50V K	C766	QEKC1HM-225Z	E CAPACITOR	2.2uF 50V M
C184	NCB31HK-122X	C CAPACITOR	1200pF 50V K	C767	QEKC0JM-107Z	E CAPACITOR	100uF 6.3V M
C191	QETN1HM-227Z	E CAPACITOR	220uF 50V M	C768	QCZ202-155Z	C CAPACITOR	1.5uF 25V Z
C192	QETN1EM-477Z	E CAPACITOR	470uF 25V M	C791	NCB31HK-221X	C CAPACITOR	220pF 50V K
C193	QETN1HM-227Z	E CAPACITOR	220uF 50V M	C792	QCZ202-155Z	C CAPACITOR	1.5uF 25V Z
C194	QETN1EM-477Z	E CAPACITOR	470uF 25V M	C1101	NCS31HJ-101X	C CAPACITOR	100pF 50V J
C195	QETN1HM-227Z	E CAPACITOR	220uF 50V M	C1102	NCS31HJ-101X	C CAPACITOR	100pF 50V J
C196	QETN1EM-477Z	E CAPACITOR	470uF 25V M	C1103	NCS31HJ-101X	C CAPACITOR	100pF 50V J
C197	QEKC1EM-476Z	E CAPACITOR	47uF 25V M	C1104	NCS31HJ-101X	C CAPACITOR	100pF 50V J
C301	NCB31HK-331X	C CAPACITOR	330pF 50V K	C1105	QCFB1HZ-104Y	E CAPACITOR	0.1uF 50V M
C302	NCB31HK-331X	C CAPACITOR	330pF 50V K	C1191	QEKC0JM-107Z	E CAPACITOR	100uF 6.3V M
C305	NCB31HK-331X	C CAPACITOR	330pF 50V K	C1192	QEKC0JM-107Z	E CAPACITOR	100uF 6.3V M
C306	NCB31HK-331X	C CAPACITOR	330pF 50V K	C1193	QEKC0JM-107Z	E CAPACITOR	100uF 6.3V M
C323	NCB31HK-391X	C CAPACITOR	390pF 50V K	C1194	QEKC0JM-107Z	E CAPACITOR	100uF 6.3V M
C324	NCB31HK-391X	C CAPACITOR	390pF 50V K	C1195	QETN1CM-477Z	E CAPACITOR	470uF 16V M
C329	NCB31HK-331X	C CAPACITOR	330pF 50V K	C1196	QETN0JM-228Z	E CAPACITOR	2200uF 6.3V M
C330	NCB31HK-331X	C CAPACITOR	330pF 50V K	C1381	QEKC1HM-475Z	E CAPACITOR	4.7uF 50V M
C341	NCS31HJ-101X	C CAPACITOR	100pF 50V J	C1382	QEKC1HM-475Z	E CAPACITOR	4.7uF 50V M
C343	NCB31HK-562X	C CAPACITOR	5600pF 50V K	C1383	NCF31CZ-104X	C CAPACITOR	0.1uF 16V Z
C344	NCB31HK-562X	C CAPACITOR	5600pF 50V K	C1384	NCF31CZ-104X	C CAPACITOR	0.1uF 16V Z
C351	NCF31CZ-104X	C CAPACITOR	0.1uF 16V Z	C1385	QEKC1HM-225Z	E CAPACITOR	2.2uF 50V M
C352	NCS31HJ-820X	C CAPACITOR	82pF 50V J	C1387	QETN1HM-106Z	E CAPACITOR	10uF 50V M
C353	NCS31HJ-470X	C CAPACITOR	47pF 50V J	C1388	QETN1HM-106Z	E CAPACITOR	10uF 50V M
C354	QEKC1CM-106Z	E CAPACITOR	10uF 16V M	C1391	QEKC0JM-107Z	E CAPACITOR	100uF 6.3V M
C355	NCB31EK-473X	C CAPACITOR	0.047uF 25V K	C1411	QETN0JM-477Z	E CAPACITOR	470uF 6.3V M
C356	NCS31HJ-331X	C CAPACITOR	330pF 50V J	C1412	QETN0JM-477Z	E CAPACITOR	470uF 6.3V M
C357	QEKC1HM-225Z	E CAPACITOR	2.2uF 50V M	C1413	QETN0JM-477Z	E CAPACITOR	470uF 6.3V M
C358	NCB31HK-561X	C CAPACITOR	560pF 50V K	C1414	QETN0JM-477Z	E CAPACITOR	470uF 6.3V M
C361	NCB31AK-154X	C CAPACITOR	0.15uF 10V K	C1415	QETN0JM-477Z	E CAPACITOR	470uF 6.3V M
C362	NCB31AK-154X	C CAPACITOR	0.15uF 10V K	C1416	QETN0JM-477Z	E CAPACITOR	470uF 6.3V M
C363	NCB31AK-154X	C CAPACITOR	0.15uF 10V K	C1417	QETN0JM-477Z	E CAPACITOR	470uF 6.3V M
C364	NCB31AK-154X	C CAPACITOR	0.15uF 10V K	C1418	QETN0JM-477Z	E CAPACITOR	470uF 6.3V M
C365	NCB31HK-272X	C CAPACITOR	2700pF 50V K				
C366	NCB31HK-272X	C CAPACITOR	2700pF 50V K	△ R141	QRZ9005-120X	FUSI RESISTOR	12Ω
C367	QEKC1HM-106Z	E CAPACITOR	10uF 50V M	△ R142	QRJ146J-682X	UNF C RESISTOR	6.8kΩ 1/4W J
C368	QEKC1HM-106Z	E CAPACITOR	10uF 50V M	△ R145	QRZ9005-120X	FUSI RESISTOR	12Ω
C369	QEKC1EM-476Z	E CAPACITOR	47uF 25V M	△ R146	QRJ146J-332X	UNF C RESISTOR	3.3kΩ 1/4W J
C370	QEKC1EM-476Z	E CAPACITOR	47uF 25V M	△ R151	QRZ9006-4R7X	F.RESISTOR	4.7Ω 1/4W J
C371	NCB31HK-223X	C CAPACITOR	0.022uF 50V K	△ R152	QRZ9006-4R7X	F.RESISTOR	4.7Ω 1/4W J
C372	NCB31HK-223X	C CAPACITOR	0.022uF 50V K	△ R153	QRJ146J-332X	UNF C RESISTOR	3.3kΩ 1/4W J
C373	QEKC1EM-476Z	E CAPACITOR	47uF 25V M	△ R154	QRJ146J-2R2X	UNF C RESISTOR	2.2Ω 1/4W J
C374	NCB31HK-223X	C CAPACITOR	0.022uF 50V K	△ R155	QRJ146J-2R2X	UNF C RESISTOR	2.2Ω 1/4W J
C375	NCB31HK-102X	C CAPACITOR	1000pF 50V K	△ R158	QRZ9005-100X	FUSI RESISTOR	10Ω
C376	NCS31HJ-101X	C CAPACITOR	100pF 50V J	△ R159	QRJ146J-182X	UNF C RESISTOR	1.8kΩ 1/4W J
C381	QTE1H06-475Z	E CAPACITOR	4.7uF 50V	△ R160	QRJ146J-182X	UNF C RESISTOR	1.8kΩ 1/4W J
C382	QTE1H06-475Z	E CAPACITOR	4.7uF 50V	△ R161	QRZ9006-4R7X	F.RESISTOR	4.7Ω 1/4W J

△ Symbol No.	Part No.	Part Name	Description	△ Symbol No.	Part No.	Part Name	Description
△ R162	QRZ9005-100X	FUSI RESISTOR	10Ω	R411	NRSA63J-103X	MG RESISTOR	10kΩ 1/16W J
△ R163	QRZ9006-4R7X	F.RESISTOR	4.7Ω 1/4W J	R414	NRSA63J-0R0X	MG RESISTOR	0Ω 1/16W J
△ R164	QRJ146J-222X	UNF C RESISTOR	2.2kΩ 1/4W J	R415	NRSA63J-103X	MG RESISTOR	10kΩ 1/16W J
△ R165	QRZ9005-100X	FUSI RESISTOR	10Ω	R416	NRSA63J-102X	MG RESISTOR	1kΩ 1/16W J
△ R166	QRZ9005-100X	FUSI RESISTOR	10Ω	R417	NRSA63J-102X	MG RESISTOR	1kΩ 1/16W J
△ R167	QRJ146J-222X	UNF C RESISTOR	2.2kΩ 1/4W J	R418	NRSA63J-104X	MG RESISTOR	100kΩ 1/16W J
△ R168	QRJ146J-222X	UNF C RESISTOR	2.2kΩ 1/4W J	R421	NRSA63J-750X	MG RESISTOR	75Ω 1/16W J
△ R169	QRJ146J-2R2X	UNF C RESISTOR	2.2Ω 1/4W J	R422	NRSA63J-473X	MG RESISTOR	47kΩ 1/16W J
△ R170	QRJ146J-2R2X	UNF C RESISTOR	2.2Ω 1/4W J	R423	NRSA63J-750X	MG RESISTOR	75Ω 1/16W J
△ R171	QRZ9005-100X	FUSI RESISTOR	10Ω	R424	NRSA63J-473X	MG RESISTOR	47kΩ 1/16W J
△ R172	QRJ146J-182X	UNF C RESISTOR	1.8kΩ 1/4W J	R425	NRSA63J-750X	MG RESISTOR	75Ω 1/16W J
△ R181	QRZ9006-4R7X	F.RESISTOR	4.7Ω 1/4W J	R426	NRSA63J-750X	MG RESISTOR	75Ω 1/16W J
△ R182	QRZ9006-4R7X	F.RESISTOR	4.7Ω 1/4W J	R427	NRSA63J-473X	MG RESISTOR	47kΩ 1/16W J
△ R183	QRJ146J-182X	UNF C RESISTOR	1.8kΩ 1/4W J	R428	NRSA63J-750X	MG RESISTOR	75Ω 1/16W J
△ R184	QRJ146J-2R2X	UNF C RESISTOR	2.2Ω 1/4W J	R429	NRSA63J-473X	MG RESISTOR	47kΩ 1/16W J
△ R185	QRJ146J-2R2X	UNF C RESISTOR	2.2Ω 1/4W J	R430	NRSA63J-331X	MG RESISTOR	330Ω 1/16W J
△ R186	QRZ9005-100X	FUSI RESISTOR	10Ω	R431	NRSA63J-750X	MG RESISTOR	75Ω 1/16W J
△ R187	QRJ146J-222X	UNF C RESISTOR	2.2kΩ 1/4W J	R452	NRSA63J-750X	MG RESISTOR	75Ω 1/16W J
△ R191	QRK126J-100X	UNF C RESISTOR	10Ω 1/2W J	R760	NRSA63J-331X	MG RESISTOR	330Ω 1/16W J
△ R192	QRJ146J-222X	UNF C RESISTOR	2.2kΩ 1/4W J	R761	NRSA63J-223X	MG RESISTOR	22kΩ 1/16W J
△ R290	QRJ146J-181X	UNF C RESISTOR	180Ω 1/4W J	R762	NRSA63J-473X	MG RESISTOR	47kΩ 1/16W J
R301	NRSA63J-471X	MG RESISTOR	470Ω 1/16W J	R763	NRSA63J-683X	MG RESISTOR	68kΩ 1/16W J
R302	NRSA63J-471X	MG RESISTOR	470Ω 1/16W J	R764	NRSA63J-473X	MG RESISTOR	47kΩ 1/16W J
R303	NRSA63J-473X	MG RESISTOR	47kΩ 1/16W J	R765	NRSA63J-153X	MG RESISTOR	15kΩ 1/16W J
R304	NRSA63J-473X	MG RESISTOR	47kΩ 1/16W J	R766	NRSA63J-273X	MG RESISTOR	27kΩ 1/16W J
R307	NRSA63J-473X	MG RESISTOR	47kΩ 1/16W J	R767	NRSA63J-103X	MG RESISTOR	10kΩ 1/16W J
R308	NRSA63J-473X	MG RESISTOR	47kΩ 1/16W J	R768	NRSA63J-103X	MG RESISTOR	10kΩ 1/16W J
R309	NRSA63J-471X	MG RESISTOR	470Ω 1/16W J	R769	NRSA63J-223X	MG RESISTOR	22kΩ 1/16W J
R310	NRSA63J-471X	MG RESISTOR	470Ω 1/16W J	R770	NRSA63J-473X	MG RESISTOR	47kΩ 1/16W J
R311	NRSA63J-473X	MG RESISTOR	47kΩ 1/16W J	R771	NRSA63J-683X	MG RESISTOR	68kΩ 1/16W J
R312	NRSA63J-473X	MG RESISTOR	47kΩ 1/16W J	R772	NRSA63J-473X	MG RESISTOR	47kΩ 1/16W J
R315	NRSA63J-473X	MG RESISTOR	47kΩ 1/16W J	R773	NRSA63J-153X	MG RESISTOR	15kΩ 1/16W J
R316	NRSA63J-473X	MG RESISTOR	47kΩ 1/16W J	R774	NRSA63J-273X	MG RESISTOR	27kΩ 1/16W J
R321	NRSA63J-102X	MG RESISTOR	1kΩ 1/16W J	R775	NRSA63J-103X	MG RESISTOR	10kΩ 1/16W J
R322	NRSA63J-102X	MG RESISTOR	1kΩ 1/16W J	R776	NRSA63J-103X	MG RESISTOR	10kΩ 1/16W J
R325	NRSA63J-101X	MG RESISTOR	100Ω 1/16W J	R777	NRSA63J-103X	MG RESISTOR	10kΩ 1/16W J
R326	NRSA63J-101X	MG RESISTOR	100Ω 1/16W J	R778	NRSA63J-223X	MG RESISTOR	22kΩ 1/16W J
R341	NRSA63J-102X	MG RESISTOR	1kΩ 1/16W J	R779	NRSA63J-472X	MG RESISTOR	4.7kΩ 1/16W J
R342	NRSA63J-102X	MG RESISTOR	1kΩ 1/16W J	R780	NRSA63J-103X	MG RESISTOR	10kΩ 1/16W J
R343	NRSA63J-682X	MG RESISTOR	6.8kΩ 1/16W J	R783	NRSA63J-103X	MG RESISTOR	10kΩ 1/16W J
R344	NRSA63J-682X	MG RESISTOR	6.8kΩ 1/16W J	R784	NRSA63J-103X	MG RESISTOR	10kΩ 1/16W J
R345	NRSA63J-473X	MG RESISTOR	47kΩ 1/16W J	R785	NRSA63J-103X	MG RESISTOR	10kΩ 1/16W J
R346	NRSA63J-473X	MG RESISTOR	47kΩ 1/16W J	R786	NRSA63J-103X	MG RESISTOR	10kΩ 1/16W J
R351	NRSA63J-474X	MG RESISTOR	470kΩ 1/16W J	R787	NRSA63J-103X	MG RESISTOR	10kΩ 1/16W J
R352	NRSA63J-102X	MG RESISTOR	1kΩ 1/16W J	R788	NRSA63J-0R0X	MG RESISTOR	0Ω 1/16W J
R353	NRSA63J-103X	MG RESISTOR	10kΩ 1/16W J	R789	NRSA63J-0R0X	MG RESISTOR	0Ω 1/16W J
R354	NRSA63J-103X	MG RESISTOR	10kΩ 1/16W J	R791	NRSA63J-221X	MG RESISTOR	220Ω 1/16W J
R361	NRSA63J-752X	MG RESISTOR	7.5kΩ 1/16W J	R792	NRSA63J-103X	MG RESISTOR	10kΩ 1/16W J
R362	NRSA63J-752X	MG RESISTOR	7.5kΩ 1/16W J	R793	NRSA63J-103X	MG RESISTOR	10kΩ 1/16W J
R371	NRSA63J-102X	MG RESISTOR	1kΩ 1/16W J	R794	NRSA63J-103X	MG RESISTOR	10kΩ 1/16W J
R372	NRSA63J-102X	MG RESISTOR	1kΩ 1/16W J	R798	NRSA63J-153X	MG RESISTOR	15kΩ 1/16W J
R373	NRSA63J-102X	MG RESISTOR	1kΩ 1/16W J	R799	NRSA63J-333X	MG RESISTOR	33kΩ 1/16W J
R381	NRSA63J-104X	MG RESISTOR	100kΩ 1/16W J	R1101	NRSA63J-0R0X	MG RESISTOR	0Ω 1/16W J
R382	NRSA63J-104X	MG RESISTOR	100kΩ 1/16W J	R1102	NRSA63J-0R0X	MG RESISTOR	0Ω 1/16W J
R383	NRSA63J-102X	MG RESISTOR	1kΩ 1/16W J	R1103	NRSA63J-0R0X	MG RESISTOR	0Ω 1/16W J
R384	NRSA63J-102X	MG RESISTOR	1kΩ 1/16W J	R1104	NRSA63J-0R0X	MG RESISTOR	0Ω 1/16W J
R385	NRSA63J-103X	MG RESISTOR	10kΩ 1/16W J	R1105	NRSA63J-0R0X	MG RESISTOR	0Ω 1/16W J
R386	NRSA63J-103X	MG RESISTOR	10kΩ 1/16W J	R1106	NRSA63J-0R0X	MG RESISTOR	0Ω 1/16W J
R387	NRSA63J-104X	MG RESISTOR	100kΩ 1/16W J	R1107	NRSA63J-0R0X	MG RESISTOR	0Ω 1/16W J
R388	NRSA63J-104X	MG RESISTOR	100kΩ 1/16W J	R1108	NRSA63J-0R0X	MG RESISTOR	0Ω 1/16W J
R389	NRSA63J-102X	MG RESISTOR	1kΩ 1/16W J	R1110	NRSA63J-102X	MG RESISTOR	1kΩ 1/16W J
R390	NRSA63J-102X	MG RESISTOR	1kΩ 1/16W J	R1111	NRSA63J-0R0X	MG RESISTOR	0Ω 1/16W J
R391	NRSA63J-103X	MG RESISTOR	10kΩ 1/16W J	R1112	NRSA63J-102X	MG RESISTOR	1kΩ 1/16W J
R392	NRSA63J-103X	MG RESISTOR	10kΩ 1/16W J	R1113	NRSA63J-0R0X	MG RESISTOR	0Ω 1/16W J
R393	NRSA63J-104X	MG RESISTOR	100kΩ 1/16W J	R1114	NRSA63J-102X	MG RESISTOR	1kΩ 1/16W J
R394	NRSA63J-102X	MG RESISTOR	1kΩ 1/16W J	R1115	NRSA63J-471X	MG RESISTOR	470Ω 1/16W J
R395	NRSA63J-103X	MG RESISTOR	10kΩ 1/16W J	R1116	NRSA63J-102X	MG RESISTOR	1kΩ 1/16W J
R396	NRSA63J-102X	MG RESISTOR	1kΩ 1/16W J	R1117	NRSA63J-471X	MG RESISTOR	470Ω 1/16W J
R401	NRSA63J-0R0X	MG RESISTOR	0Ω 1/16W J	R1118	NRSA63J-102X	MG RESISTOR	1kΩ 1/16W J
R402	NRSA63J-360X	MG RESISTOR	36Ω 1/16W J	R1119	NRSA63J-471X	MG RESISTOR	470Ω 1/16W J
R403	NRSA63J-103X	MG RESISTOR	10kΩ 1/16W J	R1120	NRSA63J-102X	MG RESISTOR	1kΩ 1/16W J
R404	NRSA63J-103X	MG RESISTOR	10kΩ 1/16W J	R1122	NRSA63J-221X	MG RESISTOR	220Ω 1/16W J
R405	NRSA63J-0R0X	MG RESISTOR	0Ω 1/16W J	R1123	NRSA63J-0R0X	MG RESISTOR	0Ω 1/16W J
R406	NRSA63J-750X	MG RESISTOR	75Ω 1/16W J	R1124	NRSA63J-102X	MG RESISTOR	1kΩ 1/16W J
R407	NRSA63J-0R0X	MG RESISTOR	0Ω 1/16W J	R1125	NRSA63J-102X	MG RESISTOR	1kΩ 1/16W J
R408	NRSA63J-360X	MG RESISTOR	36Ω 1/16W J	R1126	NRSA63J-102X	MG RESISTOR	1kΩ 1/16W J
R409	NRSA63J-0R0X	MG RESISTOR	0Ω 1/16W J	R1127	NRSA63J-0R0X	MG RESISTOR	0Ω 1/16W J
R410	NRSA63J-360X	MG RESISTOR	36Ω 1/16W J	R1128	NRSA63J-102X	MG RESISTOR	1kΩ 1/16W J



△ Symbol No.	Part No.	Part Name	Description	△ Symbol No.	Part No.	Part Name	Description
R1129	NRSA63J-102X	MG RESISTOR	1kΩ 1/16W J	HS162	E70306-001	HEAT SINK	
R1130	NRSA63J-102X	MG RESISTOR	1kΩ 1/16W J	HS165	E70306-001	HEAT SINK	
R1131	NRSA63J-102X	MG RESISTOR	1kΩ 1/16W J	HS181	E70306-001	HEAT SINK	
R1132	NRSA63J-102X	MG RESISTOR	1kΩ 1/16W J	HS182	E70306-001	HEAT SINK	
R1134	NRSA63J-0R0X	MG RESISTOR	0Ω 1/16W J	J301	QNN0476-001	PIN JACK	
R1135	NRSA63J-0R0X	MG RESISTOR	0Ω 1/16W J	J401	QNZ0516-001	RGB CONNECTOR	
R1136	NRSA63J-0R0X	MG RESISTOR	0Ω 1/16W J	K401	NRSA63J-0R0X	MG RESISTOR	0Ω 1/16W J
R1137	NRSA63J-0R0X	MG RESISTOR	0Ω 1/16W J	K402	NRSA63J-0R0X	MG RESISTOR	0Ω 1/16W J
R1138	NRSA63J-0R0X	MG RESISTOR	0Ω 1/16W J	K403	NRSA63J-0R0X	MG RESISTOR	0Ω 1/16W J
R1381	NRSA63J-104X	MG RESISTOR	100kΩ 1/16W J	K404	NRSA63J-0R0X	MG RESISTOR	0Ω 1/16W J
R1382	NRSA63J-273X	MG RESISTOR	27kΩ 1/16W J	△ RY291	QSK0109-001	RELAY	
R1383	NRSA63J-102X	MG RESISTOR	1kΩ 1/16W J	S401	QSW0454-001	SW	
R1384	NRSA63J-104X	MG RESISTOR	100kΩ 1/16W J	X301	QAX0263-001Z	CRYSTAL	4.332MHz
R1385	NRSA63J-102X	MG RESISTOR	1kΩ 1/16W J	X761	QAX0246-001Z	C RESONATOR	8.00MHz
R1386	NRSA63J-102X	MG RESISTOR	1kΩ 1/16W J				
R1387	NRSA63J-103X	MG RESISTOR	10kΩ 1/16W J				
R1388	NRSA63J-103X	MG RESISTOR	10kΩ 1/16W J				
R1389	NRSA63J-102X	MG RESISTOR	1kΩ 1/16W J				
R1391	NRSA63J-822X	MG RESISTOR	8.2kΩ 1/16W J				
R1392	NRSA63J-822X	MG RESISTOR	8.2kΩ 1/16W J				
R1393	NRSA63J-822X	MG RESISTOR	8.2kΩ 1/16W J				
R1394	NRSA63J-822X	MG RESISTOR	8.2kΩ 1/16W J				
R1395	NRSA63J-822X	MG RESISTOR	8.2kΩ 1/16W J				
R1397	NRSA63J-124X	MG RESISTOR	120kΩ 1/16W J				
R1398	NRSA63J-103X	MG RESISTOR	10kΩ 1/16W J				
R1399	NRSA63J-103X	MG RESISTOR	10kΩ 1/16W J				
R1413	NRSA63J-750X	MG RESISTOR	75Ω 1/16W J				
R1414	NRSA63J-750X	MG RESISTOR	75Ω 1/16W J				
R1415	NRSA63J-750X	MG RESISTOR	75Ω 1/16W J				
R1416	NRSA63J-750X	MG RESISTOR	75Ω 1/16W J				
R1417	NRSA63J-750X	MG RESISTOR	75Ω 1/16W J				
R1418	NRSA63J-750X	MG RESISTOR	75Ω 1/16W J				
R1419	NRSA63J-750X	MG RESISTOR	75Ω 1/16W J				
R1420	NRSA63J-750X	MG RESISTOR	75Ω 1/16W J				
R1731	NRSA63J-562X	MG RESISTOR	5.6kΩ 1/16W J				
R1732	NRSA63J-562X	MG RESISTOR	5.6kΩ 1/16W J				
R1733	NRSA63J-103X	MG RESISTOR	10kΩ 1/16W J				
R1734	NRSA63J-103X	MG RESISTOR	10kΩ 1/16W J				
L191	QQL28AK-101	CHOKE COIL	100uH K	IC601	AK4527BVQP	IC	
L192	QQL28AK-101	CHOKE COIL	100uH K	IC602	BA15218F-XE	IC	
L193	QQL28AK-101	CHOKE COIL	100uH K	IC603	BA15218F-XE	IC	
L197	QQL244K-100Z	COIL	10uH K	IC611	TC74HC4072AF-X	IC	
L198	QQL244K-100Z	COIL	10uH K	IC612	MM74HC08SJ-X	IC	
L341	QQR0590-001	FILTER		△ IC615	MM1563DF-X	IC	3.3V Regulator
L342	QQR0590-001	FILTER		IC621	MM74HCU04SJ-X	IC	
CN114	QGF1205C1-13	CONNECTOR	FFC/FPC (1-13)	IC631	TC9446F-025	IC	
CN121	QGA3901C1-08	CONNECTOR	W-B (1-8)	IC641	LP61L1024S-12-X	IC	
CN122	QGA2501C1-02	CONNECTOR	W-B (1-2)	IC651	BA15218F-XE	IC	
CN125	QGF1205C1-10	CONNECTOR	FFC/FPC (1-10)	IC652	BA15218F-XE	IC	
CN212	QGB2510J1-11	CONNECTOR	B-B (1-11)	IC661	BA15218F-XE	IC	
CN231	QGA2501C1-08	CONNECTOR	W-B (1-8)	IC671	BA15218F-XE	IC	
CN241	QGD2501C1-04Z	CONNECTOR	(1-4)	IC672	BA15218F-XE	IC	
CN291	QGD2501C1-03Z	CONNECTOR	(1-3)	IC681	UPD784215AGC167	IC(MICRO C ROM)	
CN301	QGF1205C1-11	CONNECTOR	FFC/FPC (1-11)	△ IC682	MM1613DN-X	IC	
CN411	QGF1205C1-17	CONNECTOR	FFC/FPC (1-17)	IC683	NC7ST32P5-X	IC(DIGITAL)	
CN412	QGF1205C1-16	CONNECTOR	FFC/FPC (1-16)	Q631	UN9214J-X	TRANSISTOR	
CN512	QGB2027M9-26	CONNECTOR	B-B (1-26)	Q632	KRA104S-X	DIGI TRANSISTOR	
CN513	QGB2027M9-26	CONNECTOR	B-B (1-26)	Q671	2SD1048/6-7/-X	TRANSISTOR	
CN612	QGB2510J1-13	CONNECTOR	B-B (1-13)	Q672	UN9214J-X	TRANSISTOR	
CN614	QGF1205C1-12	CONNECTOR	FFC/FPC (1-12)	Q673	KRA104S-X	DIGI TRANSISTOR	
CN761	QGF1205C1-06	CONNECTOR	FFC/FPC (1-6)	Q681	UN9214J-X	TRANSISTOR	
CN911	QGB2016K1-15	CONNECTOR	B-B (1-15)	Q2501	KRA104S-X	DIGI TRANSISTOR	
CN912	QGB2016K1-13	CONNECTOR	B-B (1-13)	Q2521	2SC3576-JVC-T	TRANSISTOR	
EP101	QNZ0136-001Z	EARTH PLATE		Q2522	2SC3576-JVC-T	TRANSISTOR	
EP191	QNG0020-001Z	EARTH PLATE		Q2561	2SC3576-JVC-T	TRANSISTOR	
FC130	QNG0020-001Z	FUSE CLIP		Q2562	2SC3576-JVC-T	TRANSISTOR	
FC131	QNG0020-001Z	FUSE CLIP		Q2581	2SC3576-JVC-T	TRANSISTOR	
FC132	QNG0020-001Z	FUSE CLIP		Q2582	2SC3576-JVC-T	TRANSISTOR	
FC133	QNG0020-001Z	FUSE CLIP		D621	MA111-X	SI DIODE	
FS387	E3400-431	SPACER		D622	MA111-X	SI DIODE	
HS141	E70306-001	HEAT SINK		D631	MA111-X	SI DIODE	
HS145	E70306-001	HEAT SINK		D632	MA111-X	SI DIODE	
HS151	E70306-001	HEAT SINK		C601	QETN0JM-107Z	E CAPACITOR	100uF 6.3V M
HS152	E70306-001	HEAT SINK		C602	NCF31CZ-104X	C CAPACITOR	0.1uF 16V Z
HS154	E70306-001	HEAT SINK		C605	NCB31HK-102X	C CAPACITOR	1000pF 50V K
HS161	E70306-001	HEAT SINK		C606	NCB31HK-102X	C CAPACITOR	1000pF 50V K
				C607	QETN0JM-107Z	E CAPACITOR	100uF 6.3V M
				C608	NCF31CZ-104X	C CAPACITOR	0.1uF 16V Z
				C609	QETN0JM-107Z	E CAPACITOR	100uF 6.3V M
				C610	NCF31CZ-104X	C CAPACITOR	0.1uF 16V Z
				C611	NCF31CZ-104X	C CAPACITOR	0.1uF 16V Z
				C612	QETN0JM-107Z	E CAPACITOR	100uF 6.3V M
				C613	NCB31CK-103X	C CAPACITOR	0.01uF 16V K
				C615	NCB31CK-103X	C CAPACITOR	0.01uF 16V K
				C616	QEKCOJM-107Z	E CAPACITOR	100uF 6.3V M
				C617	QETN0JM-107Z	E CAPACITOR	100uF 6.3V M
				C618	NCB31CK-103X	C CAPACITOR	0.01uF 16V K
				C619	NCF31CZ-104X	C CAPACITOR	0.1uF 16V Z
				C620	QETN1CM-107Z	E CAPACITOR	100uF 16V M

DSP board LVA10334

△ Symbol No.	Part No.	Part Name	Description	△ Symbol No.	Part No.	Part Name	Description
C621	NCS31HJ-101X	C CAPACITOR	100pF 50V J	C2581	QETN1HM-105Z	E CAPACITOR	1uF 50V M
C622	QETN1HM-105Z	E CAPACITOR	1uF 50V M	C2582	QETN1HM-106Z	E CAPACITOR	10uF 50V M
C623	NCB31CK-103X	C CAPACITOR	0.01uF 16V K	C2583	NCS31HJ-560X	C CAPACITOR	56pF 50V J
C624	NCF31AZ-105X	C CAPACITOR	1uF 10V Z	C2584	NCS31HJ-560X	C CAPACITOR	56pF 50V J
C625	NCF31AZ-105X	C CAPACITOR	1uF 10V Z	C2585	NCF31CZ-104X	C CAPACITOR	0.1uF 16V Z
C626	NCF31AZ-105X	C CAPACITOR	1uF 10V Z	C2586	NCF31CZ-104X	C CAPACITOR	0.1uF 16V Z
C627	NCS31HJ-471X	C CAPACITOR	470pF 50V J	C2587	NCS31HJ-560X	C CAPACITOR	56pF 50V J
C628	NCF31AZ-105X	C CAPACITOR	1uF 10V Z	C2588	QETN1HM-475Z	E CAPACITOR	4.7uF 50V M
C629	NCS31HJ-101X	C CAPACITOR	100pF 50V J	C2589	NCF31CZ-104X	C CAPACITOR	0.1uF 16V Z
C631	QETN0JM-107Z	E CAPACITOR	100uF 6.3V M	C2590	NCF31CZ-104X	C CAPACITOR	0.1uF 16V Z
C632	NCB31CK-103X	C CAPACITOR	0.01uF 16V K	C2592	NCB31HK-103X	C CAPACITOR	0.01uF 50V K
C633	QETN0JM-107Z	E CAPACITOR	100uF 6.3V M	C2594	NCF31CZ-473X	C CAPACITOR	0.047uF 16V Z
C634	NCB31CK-103X	C CAPACITOR	0.01uF 16V K	C2595	NCB31HK-272X	C CAPACITOR	2700pF 50V K
C635	NCB31AK-474X	C CAPACITOR	0.47uF 10V K	C2597	QETN1HM-106Z	E CAPACITOR	10uF 50V M
C636	NCB31CK-103X	C CAPACITOR	0.01uF 16V K	C2598	QETN1HM-475Z	E CAPACITOR	4.7uF 50V M
C637	NCS31HJ-101X	C CAPACITOR	100pF 50V J	R601	NRSA63J-473X	MG RESISTOR	47kΩ 1/16W J
C638	NCS31HJ-121X	C CAPACITOR	120pF 50V J	R602	NRSA63J-473X	MG RESISTOR	47kΩ 1/16W J
C639	NCF31CZ-104X	C CAPACITOR	0.1uF 16V Z	R603	NRSA63J-221X	MG RESISTOR	220Ω 1/16W J
C640	NCF31CZ-104X	C CAPACITOR	0.1uF 16V Z	R604	NRSA63J-473X	MG RESISTOR	47kΩ 1/16W J
C641	NCF31CZ-104X	C CAPACITOR	0.1uF 16V Z	R605	NRSA63J-331X	MG RESISTOR	330Ω 1/16W J
C642	NCB31CK-473X	C CAPACITOR	0.047uF 16V K	R606	NRSA63J-221X	MG RESISTOR	220Ω 1/16W J
C643	NCS31HJ-180X	C CAPACITOR	18pF 50V J	R607	NRSA63J-103X	MG RESISTOR	10kΩ 1/16W J
C644	NCS31HJ-220X	C CAPACITOR	22pF 50V J	R608	NRSA63J-103X	MG RESISTOR	10kΩ 1/16W J
C645	NCB31CK-103X	C CAPACITOR	0.01uF 16V K	R611	NRSA63J-101X	MG RESISTOR	100Ω 1/16W J
C646	NCF31CZ-104X	C CAPACITOR	0.1uF 16V Z	R613	NRSA63J-0R0X	MG RESISTOR	0Ω 1/16W J
C647	QETN0JM-107Z	E CAPACITOR	100uF 6.3V M	R615	NRSA63J-103X	MG RESISTOR	10kΩ 1/16W J
C648	NCB31CK-104X	C CAPACITOR	0.1uF 16V K	R619	NRSA63J-103X	MG RESISTOR	10kΩ 1/16W J
C680	NCF31AZ-105X	C CAPACITOR	1uF 10V Z	R620	NRSA63J-103X	MG RESISTOR	10kΩ 1/16W J
C681	QETN0JM-107Z	E CAPACITOR	100uF 6.3V M	R621	NRSA63J-750X	MG RESISTOR	75Ω 1/16W J
C682	NCB31CK-103X	C CAPACITOR	0.01uF 16V K	R622	NRSA63J-221X	MG RESISTOR	220Ω 1/16W J
C683	NCS31HJ-101X	C CAPACITOR	100pF 50V J	R623	NRSA63J-472X	MG RESISTOR	4.7kΩ 1/16W J
C684	NCS31HJ-101X	C CAPACITOR	100pF 50V J	R624	NRSA63J-333X	MG RESISTOR	33kΩ 1/16W J
C685	NCB31CK-103X	C CAPACITOR	0.01uF 16V K	R631	NRSA63J-221X	MG RESISTOR	220Ω 1/16W J
C686	NCB31CK-103X	C CAPACITOR	0.01uF 16V K	R632	NRSA63J-472X	MG RESISTOR	4.7kΩ 1/16W J
C687	NCB31CK-103X	C CAPACITOR	0.01uF 16V K	R633	NRSA63J-221X	MG RESISTOR	220Ω 1/16W J
C688	NCF31CZ-104X	C CAPACITOR	0.1uF 16V Z	R634	NRSA63J-221X	MG RESISTOR	220Ω 1/16W J
C689	NCF31AZ-105X	C CAPACITOR	1uF 10V Z	R635	NRSA63J-221X	MG RESISTOR	220Ω 1/16W J
C690	NCB31CK-103X	C CAPACITOR	0.01uF 16V K	R636	NRSA63J-221X	MG RESISTOR	220Ω 1/16W J
C691	NCB31CK-103X	C CAPACITOR	0.01uF 16V K	R637	NRSA63J-221X	MG RESISTOR	220Ω 1/16W J
C692	QTE1C06-476Z	E CAPACITOR	47uF 16V	R638	NRSA63J-103X	MG RESISTOR	10kΩ 1/16W J
C693	NCB31CK-103X	C CAPACITOR	0.01uF 16V K	R639	NRSA63F-102X	MG RESISTOR	1kΩ 1/16W F
C694	QTE1C06-336Z	E CAPACITOR	33uF 16V	R640	NRSA63J-101X	MG RESISTOR	100Ω 1/16W J
C695	NCB31CK-103X	C CAPACITOR	0.01uF 16V K	R641	NRSA63J-102X	MG RESISTOR	1kΩ 1/16W J
C696	QTE1C06-336Z	E CAPACITOR	33uF 16V	R642	NRSA63J-563X	MG RESISTOR	56kΩ 1/16W J
C2500	QETN1HM-226Z	E CAPACITOR	22uF 50V M	R643	NRSA63F-103X	MG RESISTOR	10kΩ 1/16W F
C2503	QETN1HM-475Z	E CAPACITOR	4.7uF 50V M	R644	NRSA63J-472X	MG RESISTOR	4.7kΩ 1/16W J
C2504	QETN1HM-475Z	E CAPACITOR	4.7uF 50V M	R645	NRSA63J-103X	MG RESISTOR	10kΩ 1/16W J
C2507	NCS31HJ-330X	C CAPACITOR	33pF 50V J	R646	NRSA63J-225X	MG RESISTOR	2.2MΩ 1/16W J
C2508	NCS31HJ-330X	C CAPACITOR	33pF 50V J	R651	NRSA63J-0R0X	MG RESISTOR	0Ω 1/16W J
C2512	NCF31CZ-104X	C CAPACITOR	0.1uF 16V Z	R653	NRSA63J-0R0X	MG RESISTOR	0Ω 1/16W J
C2513	NCB31HK-122X	C CAPACITOR	1200pF 50V K	R661	NRSA63J-0R0X	MG RESISTOR	0Ω 1/16W J
C2514	NCB31HK-122X	C CAPACITOR	1200pF 50V K	R662	NRSA63J-0R0X	MG RESISTOR	0Ω 1/16W J
C2515	NCS31HJ-121X	C CAPACITOR	120pF 50V J	R663	NRSA63J-0R0X	MG RESISTOR	0Ω 1/16W J
C2516	NCS31HJ-121X	C CAPACITOR	120pF 50V J	R671	NRSA63J-103X	MG RESISTOR	10kΩ 1/16W J
C2525	NCB31HK-102X	C CAPACITOR	1000pF 50V K	R672	NRSA63J-105X	MG RESISTOR	1MΩ 1/16W J
C2526	NCB31HK-102X	C CAPACITOR	1000pF 50V K	R676	NRSA63J-103X	MG RESISTOR	10kΩ 1/16W J
C2527	QETN1HM-106Z	E CAPACITOR	10uF 50V M	R679	NRSA63J-103X	MG RESISTOR	10kΩ 1/16W J
C2528	QETN1HM-106Z	E CAPACITOR	10uF 50V M	R680	NRSA63J-103X	MG RESISTOR	10kΩ 1/16W J
C2531	NCS31HJ-560X	C CAPACITOR	56pF 50V J	R681	NRSA63J-0R0X	MG RESISTOR	0Ω 1/16W J
C2532	NCS31HJ-560X	C CAPACITOR	56pF 50V J	R682	NRSA63J-0R0X	MG RESISTOR	0Ω 1/16W J
C2533	QETN1HM-475Z	E CAPACITOR	4.7uF 50V M	R683	NRSA63J-822X	MG RESISTOR	8.2kΩ 1/16W J
C2534	QETN1HM-475Z	E CAPACITOR	4.7uF 50V M	R684	NRSA63J-432X	MG RESISTOR	4.3kΩ 1/16W J
C2539	NCF31CZ-104X	C CAPACITOR	0.1uF 16V Z	R685	NRSA63J-103X	MG RESISTOR	10kΩ 1/16W J
C2540	NCF31CZ-104X	C CAPACITOR	0.1uF 16V Z	R686	NRSA63J-822X	MG RESISTOR	8.2kΩ 1/16W J
C2551	NCS31HJ-560X	C CAPACITOR	56pF 50V J	R687	NRSA63J-432X	MG RESISTOR	4.3kΩ 1/16W J
C2552	NCS31HJ-560X	C CAPACITOR	56pF 50V J	R688	NRSA63J-822X	MG RESISTOR	8.2kΩ 1/16W J
C2555	NCF31CZ-104X	C CAPACITOR	0.1uF 16V Z	R689	NRSA63J-432X	MG RESISTOR	4.3kΩ 1/16W J
C2556	NCF31CZ-104X	C CAPACITOR	0.1uF 16V Z	R690	NRSA63J-822X	MG RESISTOR	8.2kΩ 1/16W J
C2561	QETN1HM-105Z	E CAPACITOR	1uF 50V M	R691	NRSA63J-432X	MG RESISTOR	4.3kΩ 1/16W J
C2562	QETN1HM-105Z	E CAPACITOR	1uF 50V M	R692	NRSA63J-221X	MG RESISTOR	220Ω 1/16W J
C2563	NCS31HJ-560X	C CAPACITOR	56pF 50V J	R693	NRSA63J-221X	MG RESISTOR	220Ω 1/16W J
C2564	NCS31HJ-560X	C CAPACITOR	56pF 50V J	R694	NRSA63J-221X	MG RESISTOR	220Ω 1/16W J
C2569	NCF31CZ-104X	C CAPACITOR	0.1uF 16V Z	R695	NRSA63J-221X	MG RESISTOR	220Ω 1/16W J
C2570	NCF31CZ-104X	C CAPACITOR	0.1uF 16V Z	R696	NRSA63J-221X	MG RESISTOR	220Ω 1/16W J
C2575	NCB31HK-272X	C CAPACITOR	2700pF 50V K	R697	NRSA63J-221X	MG RESISTOR	220Ω 1/16W J
C2576	NCB31HK-272X	C CAPACITOR	2700pF 50V K	R698	NRSA63J-221X	MG RESISTOR	220Ω 1/16W J
C2577	QETN1HM-106Z	E CAPACITOR	10uF 50V M	R699	NRSA63J-221X	MG RESISTOR	220Ω 1/16W J
C2578	QETN1HM-106Z	E CAPACITOR	10uF 50V M				

## Parts List 9/15

△ Symbol No.	Part No.	Part Name	Description	△ Symbol No.	Part No.	Part Name	Description
R2500	NRSA63J-102X	MG RESISTOR	1kΩ 1/16W J	UN662	GP1FA352TZ	OPT TRANSMITTER	
R2501	NRSA63J-104X	MG RESISTOR	100kΩ 1/16W J	X631	QAX0722-001Z	CRYSTAL	24.576MHz
R2502	NRSA63J-104X	MG RESISTOR	100kΩ 1/16W J	X681	QAX0719-001Z	C RESONATOR	6.144MHz
R2507	NRSA63J-223X	MG RESISTOR	22kΩ 1/16W J	<b>DAC board LVA10405</b>			
R2508	NRSA63J-223X	MG RESISTOR	22kΩ 1/16W J				
R2509	NRSA63J-223X	MG RESISTOR	22kΩ 1/16W J				
R2510	NRSA63J-223X	MG RESISTOR	22kΩ 1/16W J				
R2511	NRSA63J-103X	MG RESISTOR	10kΩ 1/16W J				
R2512	NRSA63J-103X	MG RESISTOR	10kΩ 1/16W J				
R2513	NRSA63J-103X	MG RESISTOR	10kΩ 1/16W J				
R2514	NRSA63J-103X	MG RESISTOR	10kΩ 1/16W J				
R2515	NRSA63J-103X	MG RESISTOR	10kΩ 1/16W J				
R2516	NRSA63J-103X	MG RESISTOR	10kΩ 1/16W J				
R2517	NRSA63J-0R0X	MG RESISTOR	0Ω 1/16W J	IC901	MN35505-X	IC	
R2518	NRSA63J-0R0X	MG RESISTOR	0Ω 1/16W J	IC911	NJM4580E-W	IC	
R2519	NRSA63J-331X	MG RESISTOR	330Ω 1/16W J	IC921	NJM4580E-W	IC	
R2520	NRSA63J-331X	MG RESISTOR	330Ω 1/16W J	IC931	MN35505-X	IC	
R2521	NRSA63J-331X	MG RESISTOR	330Ω 1/16W J	IC941	NJM4580E-W	IC	
R2522	NRSA63J-331X	MG RESISTOR	330Ω 1/16W J	IC951	NJM4580E-W	IC	
R2525	NRSA63J-102X	MG RESISTOR	1kΩ 1/16W J	IC961	MN35505-X	IC	
R2526	NRSA63J-102X	MG RESISTOR	1kΩ 1/16W J	IC971	NJM4580E-W	IC	
R2527	NRSA63J-104X	MG RESISTOR	100kΩ 1/16W J	IC981	NJM4580E-W	IC	
R2528	NRSA63J-104X	MG RESISTOR	100kΩ 1/16W J	IC991	NJM4580E-W	IC	
R2529	NRSA63J-103X	MG RESISTOR	10kΩ 1/16W J	IC992	NJM4580E-W	IC	
R2530	NRSA63J-103X	MG RESISTOR	10kΩ 1/16W J	IC993	NJM4580E-W	IC	
R2531	NRSA63J-752X	MG RESISTOR	7.5kΩ 1/16W J	IC994	NJM4580E-W	IC	
R2532	NRSA63J-752X	MG RESISTOR	7.5kΩ 1/16W J	Q901	2SD1328/ST/-X	TRANSISTOR	
R2533	NRSA63J-103X	MG RESISTOR	10kΩ 1/16W J	Q902	2SD1328/ST/-X	TRANSISTOR	
R2534	NRSA63J-103X	MG RESISTOR	10kΩ 1/16W J	Q903	2SD1328/ST/-X	TRANSISTOR	
R2535	NRSA63J-103X	MG RESISTOR	10kΩ 1/16W J	Q904	2SD1328/ST/-X	TRANSISTOR	
R2536	NRSA63J-103X	MG RESISTOR	10kΩ 1/16W J	Q910	UN2113-X	TRANSISTOR	
R2537	NRSA63J-104X	MG RESISTOR	100kΩ 1/16W J	Q911	UN2113-X	TRANSISTOR	
R2538	NRSA63J-104X	MG RESISTOR	100kΩ 1/16W J	Q912	UN2113-X	TRANSISTOR	
R2550	NRSA63J-272X	MG RESISTOR	2.7kΩ 1/16W J	Q1903	2SD1328/ST/-X	TRANSISTOR	
R2551	NRSA63J-103X	MG RESISTOR	10kΩ 1/16W J	Q1904	2SD1328/ST/-X	TRANSISTOR	
R2552	NRSA63J-103X	MG RESISTOR	10kΩ 1/16W J	Q2903	2SD1328/ST/-X	TRANSISTOR	
R2553	NRSA63J-153X	MG RESISTOR	15kΩ 1/16W J	Q2904	2SD1328/ST/-X	TRANSISTOR	
R2554	NRSA63J-153X	MG RESISTOR	15kΩ 1/16W J	Q2971	UN2213-X	DIGI TRANSISTOR	
R2555	NRSA63J-752X	MG RESISTOR	7.5kΩ 1/16W J	Q2972	2SD1328/ST/-X	TRANSISTOR	
R2556	NRSA63J-752X	MG RESISTOR	7.5kΩ 1/16W J	Q2993	UN2113-X	TRANSISTOR	
R2557	NRSA63J-103X	MG RESISTOR	10kΩ 1/16W J	C900	NCF31CZ-104X	C CAPACITOR	0.1uF 16V Z
R2558	NRSA63J-273X	MG RESISTOR	27kΩ 1/16W J	C901	NEA71CM-106X	E CAPACITOR	10uF 16V M
R2560	NRSA63J-105X	MG RESISTOR	1MΩ 1/16W J	C902	NCF31AZ-105X	C CAPACITOR	1uF 10V Z
R2561	NRSA63J-104X	MG RESISTOR	100kΩ 1/16W J	C903	NEA70JM-107X	E CAPACITOR	100uF 6.3V M
R2562	NRSA63J-104X	MG RESISTOR	100kΩ 1/16W J	C904	NCF31AZ-105X	C CAPACITOR	1uF 10V Z
R2563	NRSA63J-103X	MG RESISTOR	10kΩ 1/16W J	C905	NCF31AZ-105X	C CAPACITOR	1uF 10V Z
R2564	NRSA63J-103X	MG RESISTOR	10kΩ 1/16W J	C906	NCB31HK-103X	C CAPACITOR	0.01uF 50V K
R2565	NRSA63J-202X	MG RESISTOR	2kΩ 1/16W J	C907	NCB31AK-224X	C CAPACITOR	0.22uF 10V K
R2566	NRSA63J-202X	MG RESISTOR	2kΩ 1/16W J	C908	NCF31AZ-105X	C CAPACITOR	1uF 10V Z
R2567	NRSA63J-103X	MG RESISTOR	10kΩ 1/16W J	C909	NEA70JM-107X	E CAPACITOR	100uF 6.3V M
R2568	NRSA63J-103X	MG RESISTOR	10kΩ 1/16W J	C910	NEA71CM-106X	E CAPACITOR	10uF 16V M
R2575	NRSA63J-102X	MG RESISTOR	1kΩ 1/16W J	C911	NCS31HJ-561X	C CAPACITOR	560pF 50V J
R2576	NRSA63J-102X	MG RESISTOR	1kΩ 1/16W J	C912	NCS31HJ-561X	C CAPACITOR	560pF 50V J
R2577	NRSA63J-104X	MG RESISTOR	100kΩ 1/16W J	C913	NCS31HJ-121X	C CAPACITOR	120pF 50V J
R2578	NRSA63J-104X	MG RESISTOR	100kΩ 1/16W J	C914	NCS31HJ-121X	C CAPACITOR	120pF 50V J
R2581	NRSA63J-104X	MG RESISTOR	100kΩ 1/16W J	C915	NCB31CK-333X	C CAPACITOR	0.033uF 16V K
R2582	NRSA63J-104X	MG RESISTOR	100kΩ 1/16W J	C916	NCB31CK-333X	C CAPACITOR	0.033uF 16V K
R2583	NRSA63J-123X	MG RESISTOR	12kΩ 1/16W J	C917	NEA71EM-475X	E CAPACITOR	4.7uF 25V M
R2584	NRSA63J-223X	MG RESISTOR	22kΩ 1/16W J	C918	NEA71EM-475X	E CAPACITOR	4.7uF 25V M
R2585	NRSA63J-302X	MG RESISTOR	3kΩ 1/16W J	C919	NCB31CK-103X	C CAPACITOR	0.01uF 16V K
R2586	NRSA63J-332X	MG RESISTOR	3.3kΩ 1/16W J	C920	NCB31CK-103X	C CAPACITOR	0.01uF 16V K
R2587	NRSA63J-103X	MG RESISTOR	10kΩ 1/16W J	C921	NCB31HK-272X	C CAPACITOR	2700pF 50V K
R2588	NRSA63J-103X	MG RESISTOR	10kΩ 1/16W J	C922	NCB31HK-272X	C CAPACITOR	2700pF 50V K
R2589	NRSA63J-104X	MG RESISTOR	100kΩ 1/16W J	C923	NCS31HJ-561X	C CAPACITOR	560pF 50V J
R2590	NRSA63J-333X	MG RESISTOR	33kΩ 1/16W J	C924	NCS31HJ-561X	C CAPACITOR	560pF 50V J
R2592	NRSA63J-333X	MG RESISTOR	33kΩ 1/16W J	C925	NEA71EM-475X	E CAPACITOR	4.7uF 25V M
R2594	NRSA63J-333X	MG RESISTOR	33kΩ 1/16W J	C926	NEA71EM-475X	E CAPACITOR	4.7uF 25V M
R2595	NRSA63J-102X	MG RESISTOR	1kΩ 1/16W J	C927	NEA71EM-475X	E CAPACITOR	4.7uF 25V M
R2596	NRSA63J-102X	MG RESISTOR	1kΩ 1/16W J	C928	NEA71EM-475X	E CAPACITOR	4.7uF 25V M
R2597	NRSA63J-104X	MG RESISTOR	100kΩ 1/16W J	C929	NCS31HJ-561X	C CAPACITOR	560pF 50V J
R2598	NRSA63J-104X	MG RESISTOR	100kΩ 1/16W J	C930	NCS31HJ-561X	C CAPACITOR	560pF 50V J
CN601	QGB2510J1-13	CONNECTOR	B-B (1-13)	C931	NCB31HK-152X	C CAPACITOR	1500pF 50V K
CN602	QGF1205C1-12	CONNECTOR	FFC/FPC (1-12)	C932	NCB31HK-152X	C CAPACITOR	1500pF 50V K
EP601	E409182-001SM	GRAND TERMINAL		C934	NCB31HK-102X	C CAPACITOR	1000pF 50V K
J601	QNN0481-001	SURROUND JACK		C941	NEA71EM-475X	E CAPACITOR	4.7uF 25V M
K601	NQR0269-004X	FERRITE BEADS		C942	NEA71EM-475X	E CAPACITOR	4.7uF 25V M
UN661	GP1FA352RZ	OPT RECEIVER					

△ Symbol No.	Part No.	Part Name	Description	△ Symbol No.	Part No.	Part Name	Description
C951	NCS31HJ-560X	C CAPACITOR	56pF 50V J	C2954	NCF31CZ-104X	C CAPACITOR	0.1uF 16V Z
C952	NCS31HJ-560X	C CAPACITOR	56pF 50V J	C2971	NCS31HJ-560X	C CAPACITOR	56pF 50V J
C953	NCF31CZ-104X	C CAPACITOR	0.1uF 16V Z	C2972	NEA71EM-475X	E CAPACITOR	4.7uF 25V M
C954	NCF31CZ-104X	C CAPACITOR	0.1uF 16V Z	C2973	NCF31CZ-104X	C CAPACITOR	0.1uF 16V Z
C961	NEA71CM-476X	E CAPACITOR	47uF 16V M	C2974	NCF31CZ-104X	C CAPACITOR	0.1uF 16V Z
C962	NEA71CM-476X	E CAPACITOR	47uF 16V M				
C1900	NCF31CZ-104X	C CAPACITOR	0.1uF 16V Z	R900	NRSA63J-101X	MG RESISTOR	100Ω 1/16W J
C1901	NEA71CM-106X	E CAPACITOR	10uF 16V M	R901	NRSA63J-0R0X	MG RESISTOR	0Ω 1/16W J
C1902	NCF31AZ-105X	C CAPACITOR	1uF 10V Z	R902	NRSA63J-0R0X	MG RESISTOR	0Ω 1/16W J
C1903	NEA70JM-107X	E CAPACITOR	100uF 6.3V M	R903	NRSA63J-471X	MG RESISTOR	470Ω 1/16W J
C1904	NCF31AZ-105X	C CAPACITOR	1uF 10V Z	R904	NRSA63J-471X	MG RESISTOR	470Ω 1/16W J
C1905	NCF31AZ-105X	C CAPACITOR	1uF 10V Z	R905	NRSA63J-332X	MG RESISTOR	3.3kΩ 1/16W J
C1906	NCB31HK-103X	C CAPACITOR	0.01uF 50V K	R906	NRSA63J-0R0X	MG RESISTOR	0Ω 1/16W J
C1907	NCB31AK-224X	C CAPACITOR	0.22uF 10V K	R907	NRSA63J-0R0X	MG RESISTOR	0Ω 1/16W J
C1908	NCF31AZ-105X	C CAPACITOR	1uF 10V Z	R908	NRSA63J-101X	MG RESISTOR	100Ω 1/16W J
C1909	NEA70JM-107X	E CAPACITOR	100uF 6.3V M	R909	NRSA63J-101X	MG RESISTOR	100Ω 1/16W J
C1910	NEA71CM-106X	E CAPACITOR	10uF 16V M	R910	NRSA63J-101X	MG RESISTOR	100Ω 1/16W J
C1911	NCS31HJ-102X	C CAPACITOR	1000pF 50V J	R911	NRSA63J-273X	MG RESISTOR	27kΩ 1/16W J
C1912	NCS31HJ-102X	C CAPACITOR	1000pF 50V J	R912	NRSA63J-273X	MG RESISTOR	27kΩ 1/16W J
C1913	NCS31HJ-101X	C CAPACITOR	100pF 50V J	R913	NRSA63J-273X	MG RESISTOR	27kΩ 1/16W J
C1914	NCS31HJ-101X	C CAPACITOR	100pF 50V J	R914	NRSA63J-273X	MG RESISTOR	27kΩ 1/16W J
C1915	NCB31CK-333X	C CAPACITOR	0.033uF 16V K	R915	NRSA63F-183X	MG RESISTOR	18kΩ 1/16W F
C1916	NCB31CK-333X	C CAPACITOR	0.033uF 16V K	R916	NRSA63F-183X	MG RESISTOR	18kΩ 1/16W F
C1917	NEA71EM-475X	E CAPACITOR	4.7uF 25V M	R917	NRSA63F-183X	MG RESISTOR	18kΩ 1/16W F
C1918	NEA71EM-475X	E CAPACITOR	4.7uF 25V M	R918	NRSA63F-183X	MG RESISTOR	18kΩ 1/16W F
C1919	NCB31HK-123X	C CAPACITOR	0.012uF 50V K	R919	NRSA63J-362X	MG RESISTOR	3.6kΩ 1/16W J
C1920	NCB31HK-123X	C CAPACITOR	0.012uF 50V K	R920	NRSA63J-362X	MG RESISTOR	3.6kΩ 1/16W J
C1923	NCB31HK-152X	C CAPACITOR	1500pF 50V K	R921	NRSA63J-362X	MG RESISTOR	3.6kΩ 1/16W J
C1924	NCB31HK-152X	C CAPACITOR	1500pF 50V K	R922	NRSA63J-362X	MG RESISTOR	3.6kΩ 1/16W J
C1925	NEA71EM-475X	E CAPACITOR	4.7uF 25V M	R923	NRSA63F-183X	MG RESISTOR	18kΩ 1/16W F
C1926	NEA71EM-475X	E CAPACITOR	4.7uF 25V M	R924	NRSA63F-183X	MG RESISTOR	18kΩ 1/16W F
C1927	NEA71EM-475X	E CAPACITOR	4.7uF 25V M	R925	NRSA63F-332X	MG RESISTOR	3.3kΩ 1/16W F
C1928	NEA71EM-475X	E CAPACITOR	4.7uF 25V M	R926	NRSA63F-332X	MG RESISTOR	3.3kΩ 1/16W F
C1929	NCS31HJ-561X	C CAPACITOR	560pF 50V J	R927	NRSA63J-362X	MG RESISTOR	3.6kΩ 1/16W J
C1930	NCS31HJ-561X	C CAPACITOR	560pF 50V J	R928	NRSA63J-362X	MG RESISTOR	3.6kΩ 1/16W J
C1934	NCB31HK-102X	C CAPACITOR	1000pF 50V K	R929	NRSA63F-681X	MG RESISTOR	680Ω 1/16W F
C1941	NEA71EM-475X	E CAPACITOR	4.7uF 25V M	R930	NRSA63F-681X	MG RESISTOR	680Ω 1/16W F
C1942	NEA71EM-475X	E CAPACITOR	4.7uF 25V M	R931	NRSA63F-821X	MG RESISTOR	820Ω 1/16W F
C1951	NCS31HJ-560X	C CAPACITOR	56pF 50V J	R932	NRSA63F-821X	MG RESISTOR	820Ω 1/16W F
C1952	NCS31HJ-560X	C CAPACITOR	56pF 50V J	R933	NRSA63J-103X	MG RESISTOR	10kΩ 1/16W J
C1953	NCF31CZ-104X	C CAPACITOR	0.1uF 16V Z	R934	NRSA63J-103X	MG RESISTOR	10kΩ 1/16W J
C1954	NCF31CZ-104X	C CAPACITOR	0.1uF 16V Z	R935	NRSA63J-105X	MG RESISTOR	1MΩ 1/16W J
C2900	NCF31CZ-104X	C CAPACITOR	0.1uF 16V Z	R936	NRSA63J-105X	MG RESISTOR	1MΩ 1/16W J
C2901	NEA71CM-106X	E CAPACITOR	10uF 16V M	R937	NRSA63J-821X	MG RESISTOR	820Ω 1/16W J
C2902	NCF31AZ-105X	C CAPACITOR	1uF 10V Z	R938	NRSA63J-821X	MG RESISTOR	820Ω 1/16W J
C2903	NEA70JM-107X	E CAPACITOR	100uF 6.3V M	R939	NRSA63J-183X	MG RESISTOR	18kΩ 1/16W J
C2904	NCF31AZ-105X	C CAPACITOR	1uF 10V Z	R940	NRSA63J-183X	MG RESISTOR	18kΩ 1/16W J
C2905	NCF31AZ-105X	C CAPACITOR	1uF 10V Z	R941	NRSA63J-273X	MG RESISTOR	27kΩ 1/16W J
C2906	NCB31HK-103X	C CAPACITOR	0.01uF 50V K	R942	NRSA63J-273X	MG RESISTOR	27kΩ 1/16W J
C2907	NCB31AK-224X	C CAPACITOR	0.22uF 10V K	R943	NRSA63J-561X	MG RESISTOR	560Ω 1/16W J
C2908	NCF31AZ-105X	C CAPACITOR	1uF 10V Z	R944	NRSA63J-561X	MG RESISTOR	560Ω 1/16W J
C2909	NEA70JM-107X	E CAPACITOR	100uF 6.3V M	R947	NRSA63J-103X	MG RESISTOR	10kΩ 1/16W J
C2910	NEA71CM-106X	E CAPACITOR	10uF 16V M	R948	NRSA63J-103X	MG RESISTOR	10kΩ 1/16W J
C2911	NCS31HJ-102X	C CAPACITOR	1000pF 50V J	R949	NRSA63J-473X	MG RESISTOR	47kΩ 1/16W J
C2912	NCS31HJ-102X	C CAPACITOR	1000pF 50V J	R950	NRSA63J-473X	MG RESISTOR	47kΩ 1/16W J
C2913	NCS31HJ-101X	C CAPACITOR	100pF 50V J	R951	NRSA63J-103X	MG RESISTOR	10kΩ 1/16W J
C2914	NCS31HJ-101X	C CAPACITOR	100pF 50V J	R952	NRSA63J-103X	MG RESISTOR	10kΩ 1/16W J
C2915	NCB31CK-333X	C CAPACITOR	0.033uF 16V K	R953	NRSA63J-103X	MG RESISTOR	10kΩ 1/16W J
C2916	NCB31CK-333X	C CAPACITOR	0.033uF 16V K	R954	NRSA63J-103X	MG RESISTOR	10kΩ 1/16W J
C2917	NEA71EM-475X	E CAPACITOR	4.7uF 25V M	R955	NRSA63J-103X	MG RESISTOR	10kΩ 1/16W J
C2918	NEA71EM-475X	E CAPACITOR	4.7uF 25V M	R956	NRSA63J-103X	MG RESISTOR	10kΩ 1/16W J
C2919	NCB31HK-123X	C CAPACITOR	0.012uF 50V K	R959	NRSA63J-104X	MG RESISTOR	100kΩ 1/16W J
C2920	NCB31HK-123X	C CAPACITOR	0.012uF 50V K	R960	NRSA63J-104X	MG RESISTOR	100kΩ 1/16W J
C2923	NCB31HK-152X	C CAPACITOR	1500pF 50V K	R1900	NRSA63J-101X	MG RESISTOR	100Ω 1/16W J
C2924	NCB31HK-152X	C CAPACITOR	1500pF 50V K	R1901	NRSA63J-0R0X	MG RESISTOR	0Ω 1/16W J
C2925	NEA71EM-475X	E CAPACITOR	4.7uF 25V M	R1902	NRSA63J-0R0X	MG RESISTOR	0Ω 1/16W J
C2926	NEA71EM-475X	E CAPACITOR	4.7uF 25V M	R1903	NRSA63J-471X	MG RESISTOR	470Ω 1/16W J
C2927	NEA71EM-475X	E CAPACITOR	4.7uF 25V M	R1904	NRSA63J-471X	MG RESISTOR	470Ω 1/16W J
C2928	NEA71EM-475X	E CAPACITOR	4.7uF 25V M	R1905	NRSA63J-332X	MG RESISTOR	3.3kΩ 1/16W J
C2929	NCS31HJ-561X	C CAPACITOR	560pF 50V J	R1906	NRSA63J-0R0X	MG RESISTOR	0Ω 1/16W J
C2930	NCS31HJ-561X	C CAPACITOR	560pF 50V J	R1907	NRSA63J-0R0X	MG RESISTOR	0Ω 1/16W J
C2932	NCB31HK-152X	C CAPACITOR	1500pF 50V K	R1908	NRSA63J-101X	MG RESISTOR	100Ω 1/16W J
C2934	NCB31HK-102X	C CAPACITOR	1000pF 50V K	R1909	NRSA63J-101X	MG RESISTOR	100Ω 1/16W J
C2941	NEA71EM-475X	E CAPACITOR	4.7uF 25V M	R1910	NRSA63J-101X	MG RESISTOR	100Ω 1/16W J
C2942	NEA71EM-475X	E CAPACITOR	4.7uF 25V M	R1911	NRSA63J-303X	MG RESISTOR	30kΩ 1/16W J
C2951	NCS31HJ-560X	C CAPACITOR	56pF 50V J	R1912	NRSA63J-303X	MG RESISTOR	30kΩ 1/16W J
C2952	NCS31HJ-560X	C CAPACITOR	56pF 50V J	R1913	NRSA63J-303X	MG RESISTOR	30kΩ 1/16W J
C2953	NCF31CZ-104X	C CAPACITOR	0.1uF 16V Z	R1914	NRSA63J-303X	MG RESISTOR	30kΩ 1/16W J



△ Symbol No.	Part No.	Part Name	Description	△ Symbol No.	Part No.	Part Name	Description
C1406	QEKC1HM-475Z	E CAPACITOR	4.7uF 50V M	IC201	BA5983FM-X	IC	
C1421	QEKC1HM-475Z	E CAPACITOR	4.7uF 50V M	IC251	BA6664FM-X	IC	
C1422	QEKC1HM-475Z	E CAPACITOR	4.7uF 50V M	IC301	MN103S26EGA	IC	
C1423	QEKC1HM-475Z	E CAPACITOR	4.7uF 50V M	IC401	MN102L62GLF3	IC	
C1424	QEKC1HM-475Z	E CAPACITOR	4.7uF 50V M	IC451	S-93C66AFJ-X	IC	
C1461	QETN1CM-477Z	E CAPACITOR	470uF 16V M	IC501	NDV8611VVA	IC	
C1462	NCF31CZ-104X	C CAPACITOR	0.1uF 16V Z	IC505	W986432DH-7	IC	
C1463	NCF31CZ-104X	C CAPACITOR	0.1uF 16V Z	IC509	SST39VF160-7CEK	IC (FLASH)	
C1464	NCF31CZ-104X	C CAPACITOR	0.1uF 16V Z	IC510	AK93C65AF-X	IC	
C1481	NCF31CZ-104X	C CAPACITOR	0.1uF 16V Z	IC511	LM1117MP1.8-X	IC	
C1493	NCF31CZ-104X	C CAPACITOR	0.1uF 16V Z	IC512	74LCX373MTC-X	IC(DIGITAL)	
C1494	NCF31CZ-104X	C CAPACITOR	0.1uF 16V Z	IC513	74LCX373MTC-X	IC(DIGITAL)	
C1495	NCF31CZ-104X	C CAPACITOR	0.1uF 16V Z	IC521	MM74HCT32MTC-X	IC	
				IC522	74LCX32MTC-X	IC(DIGITAL)	
				IC523	NC7SZ125P5-X	IC(DIGITAL)	
R305	NRSA63J-471X	MG RESISTOR	470Ω 1/16W J	Q101	KTA1001/Y/-X	TRANSISTOR	
R306	NRSA63J-471X	MG RESISTOR	470Ω 1/16W J	Q102	KTA1001/Y/-X	TRANSISTOR	
R313	NRSA63J-471X	MG RESISTOR	470Ω 1/16W J	Q103	DTA144EE-X	DIGI TRANSISTOR	
R314	NRSA63J-471X	MG RESISTOR	470Ω 1/16W J	Q501	2SB1424/QR/-W	TRANSISTOR	
R323	NRSA63J-101X	MG RESISTOR	100Ω 1/16W J	Q502	2SC2412K/RS/-X	TRANSISTOR	
R324	NRSA63J-101X	MG RESISTOR	100Ω 1/16W J	Q801	2SC4617/R/-X	TRANSISTOR	
R1401	NRSA63J-331X	MG RESISTOR	330Ω 1/16W J	Q802	2SA1774/R/-X	TRANSISTOR	
R1402	NRSA63J-750X	MG RESISTOR	75Ω 1/16W J	Q803	2SC4617/R/-X	TRANSISTOR	
R1403	NRSA63J-331X	MG RESISTOR	330Ω 1/16W J	Q804	2SC4617/R/-X	TRANSISTOR	
R1404	NRSA63J-750X	MG RESISTOR	75Ω 1/16W J	Q805	2SC4617/R/-X	TRANSISTOR	
R1405	NRSA63J-750X	MG RESISTOR	75Ω 1/16W J	Q806	2SC4617/R/-X	TRANSISTOR	
R1406	NRSA63J-331X	MG RESISTOR	330Ω 1/16W J	Q807	DTC114EE-X	DIGI TRANSISTOR	
R1407	NRSA63J-750X	MG RESISTOR	75Ω 1/16W J	Q808	2SC4617/R/-X	TRANSISTOR	
R1408	NRSA63J-473X	MG RESISTOR	47kΩ 1/16W J				
R1409	NRSA63J-750X	MG RESISTOR	75Ω 1/16W J	D101	RB521S-30-X	SB DIODE	
R1410	NRSA63J-331X	MG RESISTOR	330Ω 1/16W J	D202	1S355-X	SI DIODE	
R1411	NRSA63J-750X	MG RESISTOR	75Ω 1/16W J	C105	NEA70JM-476X	E CAPACITOR	47uF 6.3V M
R1421	NRSA63J-331X	MG RESISTOR	330Ω 1/16W J	C106	NEA70JM-476X	E CAPACITOR	47uF 6.3V M
R1422	NRSA63J-750X	MG RESISTOR	75Ω 1/16W J	C109	NCB31CK-104X	C CAPACITOR	0.1uF 16V K
R1423	NRSA63J-331X	MG RESISTOR	330Ω 1/16W J	C110	NCS31HJ-221X	C CAPACITOR	220pF 50V J
R1424	NRSA63J-750X	MG RESISTOR	75Ω 1/16W J	C111	NCB31CK-104X	C CAPACITOR	0.1uF 16V K
R1425	NRSA63J-750X	MG RESISTOR	75Ω 1/16W J	C112	NCB31CK-104X	C CAPACITOR	0.1uF 16V K
R1426	NRSA63J-331X	MG RESISTOR	330Ω 1/16W J	C113	NEA70JM-226X	E CAPACITOR	22uF 6.3V M
R1427	NRSA63J-750X	MG RESISTOR	75Ω 1/16W J	C115	NCB31CK-104X	C CAPACITOR	0.1uF 16V K
R1428	NRSA63J-331X	MG RESISTOR	330Ω 1/16W J	C116	NCB31CK-104X	C CAPACITOR	0.1uF 16V K
R1429	NRSA63J-750X	MG RESISTOR	75Ω 1/16W J	C117	NCB31CK-473X	C CAPACITOR	0.047uF 16V K
R1441	NRSA63J-301X	MG RESISTOR	300Ω 1/16W J	C118	NCB31CK-273X	C CAPACITOR	0.027uF 16V K
R1442	NRSA63J-391X	MG RESISTOR	390Ω 1/16W J	C119	NCB31HK-561X	C CAPACITOR	560pF 50V K
R1443	NRSA63J-301X	MG RESISTOR	300Ω 1/16W J	C120	NCB31HK-561X	C CAPACITOR	560pF 50V K
R1444	NRSA63J-391X	MG RESISTOR	390Ω 1/16W J	C121	NCB31CK-104X	C CAPACITOR	0.1uF 16V K
R1445	NRSA63J-301X	MG RESISTOR	300Ω 1/16W J	C122	NCS31HJ-120X	C CAPACITOR	12pF 50V J
R1446	NRSA63J-391X	MG RESISTOR	390Ω 1/16W J	C123	NCB31CK-104X	C CAPACITOR	0.1uF 16V K
R1447	NRSA63J-301X	MG RESISTOR	300Ω 1/16W J	C124	NCS31HJ-470X	C CAPACITOR	47pF 50V J
R1448	QRE141J-681Y	C RESISTOR	680Ω 1/4W J	C125	NCB31HK-271X	C CAPACITOR	270pF 50V K
R1449	NRSA63J-301X	MG RESISTOR	300Ω 1/16W J	C126	NCB31CK-104X	C CAPACITOR	0.1uF 16V K
R1450	QRE141J-681Y	C RESISTOR	680Ω 1/4W J	C127	NCB31CK-104X	C CAPACITOR	0.1uF 16V K
△ R1461	QRJ146J-2R2X	UNF C RESISTOR	2.2Ω 1/4W J	C128	NCB31CK-104X	C CAPACITOR	0.1uF 16V K
R1481	NRSA63J-391X	MG RESISTOR	390Ω 1/16W J	C129	NCB31HK-472X	C CAPACITOR	4700pF 50V K
R1482	NRSA63J-301X	MG RESISTOR	300Ω 1/16W J	C135	NEA70JM-476X	E CAPACITOR	47uF 6.3V M
R1483	NRSA63J-102X	MG RESISTOR	1kΩ 1/16W J	C137	NEA70GM-476X	E CAPACITOR	47uF 4V M
R1484	NRSA63J-103X	MG RESISTOR	10kΩ 1/16W J	C138	NCB31CK-104X	C CAPACITOR	0.1uF 16V K
R1485	NRSA63J-103X	MG RESISTOR	10kΩ 1/16W J	C139	NCB31CK-104X	C CAPACITOR	0.1uF 16V K
R1486	NRSA63J-103X	MG RESISTOR	10kΩ 1/16W J	C141	NCB31CK-104X	C CAPACITOR	0.1uF 16V K
R1487	NRSA63J-473X	MG RESISTOR	47kΩ 1/16W J	C142	NCB31CK-104X	C CAPACITOR	0.1uF 16V K
R1488	NRSA63J-473X	MG RESISTOR	47kΩ 1/16W J	C143	NCB31CK-104X	C CAPACITOR	0.1uF 16V K
R1495	NRSA63J-222X	MG RESISTOR	2.2kΩ 1/16W J	C144	NCB31CK-103X	C CAPACITOR	0.01uF 16V K
R1496	NRSA63J-222X	MG RESISTOR	2.2kΩ 1/16W J	C146	NCB31CK-104X	C CAPACITOR	0.1uF 16V K
R1497	NRSA63J-222X	MG RESISTOR	2.2kΩ 1/16W J	C201	NEA70JM-226X	E CAPACITOR	22uF 6.3V M
R1498	NRSA63J-222X	MG RESISTOR	2.2kΩ 1/16W J	C203	NCB31CK-104X	C CAPACITOR	0.1uF 16V K
CN401	QGF1205F1-17	CONNECTOR	FFC/FPC (1-17)	C204	NCB31CK-104X	C CAPACITOR	0.1uF 16V K
CN402	QGF1205F1-16	CONNECTOR	FFC/FPC (1-16)	C205	NCS31HJ-121X	C CAPACITOR	120pF 50V J
J403	QNZ0516-001	RGB CONNECTOR		C207	NCB31HK-391X	C CAPACITOR	390pF 50V K
				C208	NCB31HK-391X	C CAPACITOR	390pF 50V K
				C211	NCB31HK-223X	C CAPACITOR	0.022uF 50V K
				C212	NCB31CK-103X	C CAPACITOR	0.01uF 16V K
				C215	NCB31CK-104X	C CAPACITOR	0.1uF 16V K
				C216	NCB30JK-105X	C CAPACITOR	1uF 6.3V K
				C217	NCB31CK-104X	C CAPACITOR	0.1uF 16V K
				C218	NCB30JK-105X	C CAPACITOR	1uF 6.3V K
				C251	NCB31CK-104X	C CAPACITOR	0.1uF 16V K
				C252	NEA71AM-336X	E CAPACITOR	33uF 10V M

## DVD loading main board LVA10298

△ Symbol No.	Part No.	Part Name	Description
IC101	AN8703FH-V	IC	

△ Symbol No.	Part No.	Part Name	Description	△ Symbol No.	Part No.	Part Name	Description
C253	NCB31CK-104X	C CAPACITOR	0.1uF 16V K	C518	NCB31CK-104X	C CAPACITOR	0.1uF 16V K
C255	NCB31CK-153X	C CAPACITOR	0.015uF 16V K	C519	NCB31CK-104X	C CAPACITOR	0.1uF 16V K
C256	NCB31CK-104X	C CAPACITOR	0.1uF 16V K	C520	NCB31CK-104X	C CAPACITOR	0.1uF 16V K
C257	NCB31CK-104X	C CAPACITOR	0.1uF 16V K	C523	NCB31CK-104X	C CAPACITOR	0.1uF 16V K
C258	NCB31CK-104X	C CAPACITOR	0.1uF 16V K	C524	NEA70GM-476X	E CAPACITOR	47uF 4V M
C259	NCB31CK-104X	C CAPACITOR	0.1uF 16V K	C527	NEA70GM-476X	E CAPACITOR	47uF 4V M
C260	NCB31CK-104X	C CAPACITOR	0.1uF 16V K	C528	NCB31CK-104X	C CAPACITOR	0.1uF 16V K
C261	NCB31CK-104X	C CAPACITOR	0.1uF 16V K	C529	NCB31CK-104X	C CAPACITOR	0.1uF 16V K
C262	NCB31CK-104X	C CAPACITOR	0.1uF 16V K	C531	NCB31CK-104X	C CAPACITOR	0.1uF 16V K
C263	NCB31CK-104X	C CAPACITOR	0.1uF 16V K	C532	NCB31CK-104X	C CAPACITOR	0.1uF 16V K
C264	NCB31CK-103X	C CAPACITOR	0.01uF 16V K	C533	NCB31CK-104X	C CAPACITOR	0.1uF 16V K
C301	NCB31CK-104X	C CAPACITOR	0.1uF 16V K	C534	NCB31CK-104X	C CAPACITOR	0.1uF 16V K
C302	NCB31CK-104X	C CAPACITOR	0.1uF 16V K	C535	NCB31CK-104X	C CAPACITOR	0.1uF 16V K
C303	NCB31CK-104X	C CAPACITOR	0.1uF 16V K	C536	NCB31CK-104X	C CAPACITOR	0.1uF 16V K
C304	NEA70GM-107X	E CAPACITOR	100uF 4V M	C539	NCB31CK-104X	C CAPACITOR	0.1uF 16V K
C306	NEA70GM-107X	E CAPACITOR	100uF 4V M	C540	NCB31CK-104X	C CAPACITOR	0.1uF 16V K
C308	NEA70GM-107X	E CAPACITOR	100uF 4V M	C541	NCB31CK-104X	C CAPACITOR	0.1uF 16V K
C310	NCB31CK-104X	C CAPACITOR	0.1uF 16V K	C542	NCB31CK-104X	C CAPACITOR	0.1uF 16V K
C311	NCB31HK-561X	C CAPACITOR	560pF 50V K	C543	NCB31CK-104X	C CAPACITOR	0.1uF 16V K
C312	NCB31HK-561X	C CAPACITOR	560pF 50V K	C544	NCB31CK-104X	C CAPACITOR	0.1uF 16V K
C313	NCB31HK-561X	C CAPACITOR	560pF 50V K	C545	NCB31CK-104X	C CAPACITOR	0.1uF 16V K
C314	NCB31HK-331X	C CAPACITOR	330pF 50V K	C547	NCB31CK-104X	C CAPACITOR	0.1uF 16V K
C315	NCB31HK-471X	C CAPACITOR	470pF 50V K	C548	NCB31CK-104X	C CAPACITOR	0.1uF 16V K
C316	NCB31HK-271X	C CAPACITOR	270pF 50V K	C549	NEA70GM-476X	E CAPACITOR	47uF 4V M
C317	NCS31HJ-121X	C CAPACITOR	120pF 50V J	C550	NCB31CK-104X	C CAPACITOR	0.1uF 16V K
C318	NCB31CK-104X	C CAPACITOR	0.1uF 16V K	C554	NCB31CK-104X	C CAPACITOR	0.1uF 16V K
C319	NCB31HK-102X	C CAPACITOR	1000pF 50V K	C555	NCB31CK-104X	C CAPACITOR	0.1uF 16V K
C320	NCB31HK-102X	C CAPACITOR	1000pF 50V K	C557	NCB31CK-104X	C CAPACITOR	0.1uF 16V K
C321	NCB31HK-102X	C CAPACITOR	1000pF 50V K	C558	NCB11CK-105X	C CAPACITOR	1uF 16V K
C322	NCB31HK-562X	C CAPACITOR	5600pF 50V K	C569	NCB31CK-104X	C CAPACITOR	0.1uF 16V K
C323	NCB31HK-102X	C CAPACITOR	1000pF 50V K	C571	NEA70GM-476X	E CAPACITOR	47uF 4V M
C324	NCB31CK-104X	C CAPACITOR	0.1uF 16V K	C572	NCB31CK-104X	C CAPACITOR	0.1uF 16V K
C325	NCS31HJ-470X	C CAPACITOR	47pF 50V J	C573	NEA70GM-227X	E CAPACITOR	220uF 4V M
C326	NCB31CK-183X	C CAPACITOR	0.018uF 16V K	C578	NCB31CK-104X	C CAPACITOR	0.1uF 16V K
C327	NCB31HK-102X	C CAPACITOR	1000pF 50V K	C580	NEA70GM-476X	E CAPACITOR	47uF 4V M
C328	NCB31CK-104X	C CAPACITOR	0.1uF 16V K	C581	NEA70GM-227X	E CAPACITOR	220uF 4V M
C329	NCB31CK-103X	C CAPACITOR	0.01uF 16V K	C582	NEA70GM-476X	E CAPACITOR	47uF 4V M
C330	NCB31CK-104X	C CAPACITOR	0.1uF 16V K	C601	NEA70GM-476X	E CAPACITOR	47uF 4V M
C331	NCB31CK-103X	C CAPACITOR	0.01uF 16V K	C602	NEA70GM-476X	E CAPACITOR	47uF 4V M
C332	NCB21CK-105X	C CAPACITOR	1uF 16V K	C618	NCB31CK-104X	C CAPACITOR	0.1uF 16V K
C333	NCB31CK-104X	C CAPACITOR	0.1uF 16V K	C619	NCB31CK-104X	C CAPACITOR	0.1uF 16V K
C334	NCB31CK-104X	C CAPACITOR	0.1uF 16V K	C801	NCS31HJ-680X	C CAPACITOR	68pF 50V J
C337	NCB31CK-104X	C CAPACITOR	0.1uF 16V K	C802	NCS31HJ-680X	C CAPACITOR	68pF 50V J
C338	NCB31CK-104X	C CAPACITOR	0.1uF 16V K	C803	NCS31HJ-120X	C CAPACITOR	12pF 50V J
C339	NCB31CK-104X	C CAPACITOR	0.1uF 16V K	C804	NCS31HJ-102X	C CAPACITOR	1000pF 50V J
C340	NCB31CK-104X	C CAPACITOR	0.1uF 16V K	C805	NCS31HJ-820X	C CAPACITOR	82pF 50V J
C341	NCB31CK-104X	C CAPACITOR	0.1uF 16V K	C806	NCS31HJ-221X	C CAPACITOR	220pF 50V J
C342	NCB31CK-104X	C CAPACITOR	0.1uF 16V K	C807	NCS31HJ-180X	C CAPACITOR	18pF 50V J
C343	NCB31CK-104X	C CAPACITOR	0.1uF 16V K	C808	NCS31HJ-181X	C CAPACITOR	180pF 50V J
C344	NCB31CK-104X	C CAPACITOR	0.1uF 16V K	C809	NCB31HK-392X	C CAPACITOR	3900pF 50V K
C345	NCB31CK-104X	C CAPACITOR	0.1uF 16V K	C810	NCB31CK-183X	C CAPACITOR	0.018uF 16V K
C346	NCB31CK-104X	C CAPACITOR	0.1uF 16V K	C902	NCB31CK-104X	C CAPACITOR	0.1uF 16V K
C347	NCB31CK-104X	C CAPACITOR	0.1uF 16V K	C904	NCB31CK-104X	C CAPACITOR	0.1uF 16V K
C348	NCB31CK-104X	C CAPACITOR	0.1uF 16V K	C906	NCB31CK-104X	C CAPACITOR	0.1uF 16V K
C349	NCB31CK-104X	C CAPACITOR	0.1uF 16V K	C908	NCB31CK-104X	C CAPACITOR	0.1uF 16V K
C350	NCB31CK-104X	C CAPACITOR	0.1uF 16V K	C992	NCB31CK-104X	C CAPACITOR	0.1uF 16V K
C401	NEA70GM-476X	E CAPACITOR	47uF 4V M	C993	NCB31CK-104X	C CAPACITOR	0.1uF 16V K
C402	NCB31CK-104X	C CAPACITOR	0.1uF 16V K	C994	NCB31CK-104X	C CAPACITOR	0.1uF 16V K
C403	NCB31CK-104X	C CAPACITOR	0.1uF 16V K	C995	NCB31CK-104X	C CAPACITOR	0.1uF 16V K
C404	NCB31CK-104X	C CAPACITOR	0.1uF 16V K	C996	NCB31CK-104X	C CAPACITOR	0.1uF 16V K
C405	NCB31CK-104X	C CAPACITOR	0.1uF 16V K	C997	NCB31CK-104X	C CAPACITOR	0.1uF 16V K
C406	NCB31CK-104X	C CAPACITOR	0.1uF 16V K	C998	NCB31CK-104X	C CAPACITOR	0.1uF 16V K
C407	NCB31CK-104X	C CAPACITOR	0.1uF 16V K	C1000	NCS31HJ-471X	C CAPACITOR	470pF 50V J
C450	NCB31CK-104X	C CAPACITOR	0.1uF 16V K	C1001	NCS31HJ-471X	C CAPACITOR	470pF 50V J
C501	NCB31CK-104X	C CAPACITOR	0.1uF 16V K	C1002	NCS31HJ-471X	C CAPACITOR	470pF 50V J
C502	NCS31HJ-471X	C CAPACITOR	470pF 50V J	C1003	NCS31HJ-471X	C CAPACITOR	470pF 50V J
C503	NCS31HJ-471X	C CAPACITOR	470pF 50V J	C1004	NCS31HJ-471X	C CAPACITOR	470pF 50V J
C506	NCS31HJ-150X	C CAPACITOR	15pF 50V J	C1005	NCS31HJ-471X	C CAPACITOR	470pF 50V J
C507	NCS31HJ-180X	C CAPACITOR	18pF 50V J	R101	NRSA63J-333X	MG RESISTOR	33kΩ 1/16W J
C509	NCS31HJ-471X	C CAPACITOR	470pF 50V J	R102	NRSA63J-223X	MG RESISTOR	22kΩ 1/16W J
C510	NCS31HJ-471X	C CAPACITOR	470pF 50V J	R103	NRSA63J-223X	MG RESISTOR	22kΩ 1/16W J
C511	NEA70GM-476X	E CAPACITOR	47uF 4V M	R104	NRS125J-270X	MG RESISTOR	27Ω 1/2W J
C512	NCB31CK-104X	C CAPACITOR	0.1uF 16V K	R105	NRS125J-270X	MG RESISTOR	27Ω 1/2W J
C513	NCS31HJ-471X	C CAPACITOR	470pF 50V J	R106	NRSA63J-273X	MG RESISTOR	27kΩ 1/16W J
C514	NCB31CK-104X	C CAPACITOR	0.1uF 16V K	R107	NRSA63J-273X	MG RESISTOR	27kΩ 1/16W J
C515	NCB31CK-104X	C CAPACITOR	0.1uF 16V K	R108	NRSA63J-222X	MG RESISTOR	2.2kΩ 1/16W J
C516	NCB31CK-104X	C CAPACITOR	0.1uF 16V K	R109	NRSA63J-182X	MG RESISTOR	1.8kΩ 1/16W J
C517	NCB31CK-104X	C CAPACITOR	0.1uF 16V K				

△ Symbol No.	Part No.	Part Name	Description	△ Symbol No.	Part No.	Part Name	Description
R110	NRSA63J-333X	MG RESISTOR	33kΩ 1/16W J	R402	NRSA63J-472X	MG RESISTOR	4.7kΩ 1/16W J
R111	NRVA63D-243X	CMF RESISTOR	24kΩ 1/16W D	R403	NRSA63J-0R0X	MG RESISTOR	0Ω 1/16W J
R112	NRSA63J-822X	MG RESISTOR	8.2kΩ 1/16W J	R405	NRSA63J-0R0X	MG RESISTOR	0Ω 1/16W J
R113	NRSA63J-103X	MG RESISTOR	10kΩ 1/16W J	R411	NRSA63J-472X	MG RESISTOR	4.7kΩ 1/16W J
R114	NRSA63J-0R0X	MG RESISTOR	0Ω 1/16W J	R413	NRSA63J-472X	MG RESISTOR	4.7kΩ 1/16W J
R115	NRSA63J-0R0X	MG RESISTOR	0Ω 1/16W J	R414	NRSA63J-472X	MG RESISTOR	4.7kΩ 1/16W J
R116	NRSA63J-0R0X	MG RESISTOR	0Ω 1/16W J	R421	NRSA63J-0R0X	MG RESISTOR	0Ω 1/16W J
R117	NRSA63J-0R0X	MG RESISTOR	0Ω 1/16W J	R422	NRSA63J-472X	MG RESISTOR	4.7kΩ 1/16W J
R119	NRSA63J-2R2X	MG RESISTOR	2.2Ω 1/16W J	R423	NRSA63J-472X	MG RESISTOR	4.7kΩ 1/16W J
R120	NRSA63J-2R2X	MG RESISTOR	2.2Ω 1/16W J	R424	NRSA63J-472X	MG RESISTOR	4.7kΩ 1/16W J
R125	NRSA63J-105X	MG RESISTOR	1MΩ 1/16W J	R427	NRSA63J-0R0X	MG RESISTOR	0Ω 1/16W J
R126	NRSA63J-105X	MG RESISTOR	1MΩ 1/16W J	R428	NRSA63J-472X	MG RESISTOR	4.7kΩ 1/16W J
R127	NRSA63J-222X	MG RESISTOR	2.2kΩ 1/16W J	R501	NRSA63J-470X	MG RESISTOR	47Ω 1/16W J
R128	NRS125J-1R0X	MG RESISTOR	1Ω 1/2W J	R512	NRSA63J-332X	MG RESISTOR	3.3kΩ 1/16W J
R129	NRS125J-1R0X	MG RESISTOR	1Ω 1/2W J	R521	NRSA63J-103X	MG RESISTOR	10kΩ 1/16W J
R130	NRSA63J-182X	MG RESISTOR	1.8kΩ 1/16W J	R531	NRSA63J-562X	MG RESISTOR	5.6kΩ 1/16W J
R201	NRSA63J-470X	MG RESISTOR	47Ω 1/16W J	R532	NRSA63J-392X	MG RESISTOR	3.9kΩ 1/16W J
R202	NRS125J-1R0X	MG RESISTOR	1Ω 1/2W J	R533	NRSA63J-102X	MG RESISTOR	1kΩ 1/16W J
R203	NRSA63J-0R0X	MG RESISTOR	0Ω 1/16W J	R534	NRSA63J-561X	MG RESISTOR	560Ω 1/16W J
R204	NRSA63J-273X	MG RESISTOR	27kΩ 1/16W J	R535	NRSA63J-333X	MG RESISTOR	33kΩ 1/16W J
R205	NRSA63J-273X	MG RESISTOR	27kΩ 1/16W J	R536	NRSA63J-102X	MG RESISTOR	1kΩ 1/16W J
R206	NRSA63J-303X	MG RESISTOR	30kΩ 1/16W J	R541	NRSA63J-0R0X	MG RESISTOR	0Ω 1/16W J
R207	NRSA63J-473X	MG RESISTOR	47kΩ 1/16W J	R542	NRSA63J-0R0X	MG RESISTOR	0Ω 1/16W J
R208	NRSA63J-223X	MG RESISTOR	22kΩ 1/16W J	R543	NRSA63J-0R0X	MG RESISTOR	0Ω 1/16W J
R209	NRSA63J-223X	MG RESISTOR	22kΩ 1/16W J	R544	NRSA63J-471X	MG RESISTOR	470Ω 1/16W J
R210	NRSA63J-242X	MG RESISTOR	2.4kΩ 1/16W J	R547	NRSA63J-0R0X	MG RESISTOR	0Ω 1/16W J
R211	NRSA63J-242X	MG RESISTOR	2.4kΩ 1/16W J	R548	NRSA63J-471X	MG RESISTOR	470Ω 1/16W J
R212	NRSA63J-103X	MG RESISTOR	10kΩ 1/16W J	R549	NRSA63J-471X	MG RESISTOR	470Ω 1/16W J
R213	NRSA63J-103X	MG RESISTOR	10kΩ 1/16W J	R550	NRSA63J-471X	MG RESISTOR	470Ω 1/16W J
R214	NRSA63J-103X	MG RESISTOR	10kΩ 1/16W J	R551	NRSA63J-0R0X	MG RESISTOR	0Ω 1/16W J
R215	NRSA63J-103X	MG RESISTOR	10kΩ 1/16W J	R552	NRSA63J-0R0X	MG RESISTOR	0Ω 1/16W J
R216	NRSA63J-912X	MG RESISTOR	9.1kΩ 1/16W J	R553	NRSA63J-0R0X	MG RESISTOR	0Ω 1/16W J
R217	NRSA63J-201X	MG RESISTOR	200Ω 1/16W J	R565	NRVA63D-622X	CMF RESISTOR	6.2kΩ 1/16W D
R218	NRSA63J-221X	MG RESISTOR	220Ω 1/16W J	R566	NRVA63D-132X	CMF RESISTOR	1.3kΩ 1/16W D
R219	NRSA63J-183X	MG RESISTOR	18kΩ 1/16W J	R570	NRSA63J-100X	MG RESISTOR	10Ω 1/16W J
R220	NRSA63J-243X	MG RESISTOR	24kΩ 1/16W J	R573	NRSA63J-162X	MG RESISTOR	1.6kΩ 1/16W J
R221	NRSA63J-682X	MG RESISTOR	6.8kΩ 1/16W J	R574	NRSA63J-162X	MG RESISTOR	1.6kΩ 1/16W J
R222	NRSA63J-103X	MG RESISTOR	10kΩ 1/16W J	R575	NRSA63J-471X	MG RESISTOR	470Ω 1/16W J
R223	NRSA63J-912X	MG RESISTOR	9.1kΩ 1/16W J	R576	NRSA63J-471X	MG RESISTOR	470Ω 1/16W J
R224	NRSA63J-103X	MG RESISTOR	10kΩ 1/16W J	R578	NRSA63J-471X	MG RESISTOR	470Ω 1/16W J
R251	NRS125J-R47X	MG RESISTOR	0.47Ω 1/2W J	R579	NRSA63J-471X	MG RESISTOR	470Ω 1/16W J
R252	NRSA63J-2R2X	MG RESISTOR	2.2Ω 1/16W J	R580	NRSA63J-471X	MG RESISTOR	470Ω 1/16W J
R253	NRSA63J-0R0X	MG RESISTOR	0Ω 1/16W J	R583	NRSA63J-471X	MG RESISTOR	470Ω 1/16W J
R254	NRSA63J-203X	MG RESISTOR	20kΩ 1/16W J	R584	NRSA63J-332X	MG RESISTOR	3.3kΩ 1/16W J
R255	NRSA63J-103X	MG RESISTOR	10kΩ 1/16W J	R608	NRSA63J-103X	MG RESISTOR	10kΩ 1/16W J
R256	NRSA63J-470X	MG RESISTOR	47Ω 1/16W J	R655	NRSA63J-0R0X	MG RESISTOR	0Ω 1/16W J
R258	NRSA63J-0R0X	MG RESISTOR	0Ω 1/16W J	R738	NRSA63J-152X	MG RESISTOR	1.5kΩ 1/16W J
R259	NRSA63J-103X	MG RESISTOR	10kΩ 1/16W J	R739	NRSA63J-0R0X	MG RESISTOR	0Ω 1/16W J
R301	NRSA63J-473X	MG RESISTOR	47kΩ 1/16W J	R740	NRSA63J-0R0X	MG RESISTOR	0Ω 1/16W J
R302	NRSA63J-473X	MG RESISTOR	47kΩ 1/16W J	R801	NRSA63J-123X	MG RESISTOR	12kΩ 1/16W J
R303	NRSA63J-473X	MG RESISTOR	47kΩ 1/16W J	R802	NRSA63J-223X	MG RESISTOR	22kΩ 1/16W J
R304	NRSA63J-473X	MG RESISTOR	47kΩ 1/16W J	R803	NRSA63J-122X	MG RESISTOR	1.2kΩ 1/16W J
R305	NRSA63J-473X	MG RESISTOR	47kΩ 1/16W J	R804	NRSA63J-821X	MG RESISTOR	820Ω 1/16W J
R306	NRSA63J-473X	MG RESISTOR	47kΩ 1/16W J	R805	NRSA63J-242X	MG RESISTOR	2.4kΩ 1/16W J
R307	NRSA63J-473X	MG RESISTOR	47kΩ 1/16W J	R806	NRSA63J-821X	MG RESISTOR	820Ω 1/16W J
R308	NRSA63J-0R0X	MG RESISTOR	0Ω 1/16W J	R807	NRSA63J-222X	MG RESISTOR	2.2kΩ 1/16W J
R309	NRSA63J-473X	MG RESISTOR	47kΩ 1/16W J	R808	NRSA63J-102X	MG RESISTOR	1kΩ 1/16W J
R313	NRSA63J-473X	MG RESISTOR	47kΩ 1/16W J	R809	NRSA63J-223X	MG RESISTOR	22kΩ 1/16W J
R317	NRSA63J-473X	MG RESISTOR	47kΩ 1/16W J	R810	NRSA63J-222X	MG RESISTOR	2.2kΩ 1/16W J
R319	NRSA63J-473X	MG RESISTOR	47kΩ 1/16W J	R811	NRSA63J-103X	MG RESISTOR	10kΩ 1/16W J
R320	NRSA63J-105X	MG RESISTOR	1MΩ 1/16W J	R812	NRSA63J-103X	MG RESISTOR	10kΩ 1/16W J
R321	NRSA63J-473X	MG RESISTOR	47kΩ 1/16W J	R813	NRSA63J-103X	MG RESISTOR	10kΩ 1/16W J
R323	NRSA63J-473X	MG RESISTOR	47kΩ 1/16W J	R814	NRSA63J-103X	MG RESISTOR	10kΩ 1/16W J
R324	NRSA63J-473X	MG RESISTOR	47kΩ 1/16W J	R815	NRSA63J-821X	MG RESISTOR	820Ω 1/16W J
R325	NRSA63J-123X	MG RESISTOR	12kΩ 1/16W J	R816	NRSA63J-820X	MG RESISTOR	82Ω 1/16W J
R326	NRSA63J-473X	MG RESISTOR	47kΩ 1/16W J	R817	NRSA63J-103X	MG RESISTOR	10kΩ 1/16W J
R327	NRSA63J-105X	MG RESISTOR	1MΩ 1/16W J	R818	NRSA63J-102X	MG RESISTOR	1kΩ 1/16W J
R328	NRSA63J-183X	MG RESISTOR	18kΩ 1/16W J	R991	NRSA63J-220X	MG RESISTOR	22Ω 1/16W J
R329	NRSA63J-473X	MG RESISTOR	47kΩ 1/16W J				
R332	NRSA63J-102X	MG RESISTOR	1kΩ 1/16W J	L501	NQL044K-100X	COIL	10uH K
R333	NRSA63J-183X	MG RESISTOR	18kΩ 1/16W J				
R334	NRSA63J-102X	MG RESISTOR	1kΩ 1/16W J	CN101	QGF0522F1-30W	CONNECTOR	FFC/FPC (1-30)
R336	NRSA63J-273X	MG RESISTOR	27kΩ 1/16W J	CN201	QGF1016F2-15W	CONNECTOR	FFC/FPC (1-15)
R337	NRSA63J-273X	MG RESISTOR	27kΩ 1/16W J	CN202	QGF1016F2-06W	CONNECTOR	FFC/FPC (1-6)
R338	NRSA63J-472X	MG RESISTOR	4.7kΩ 1/16W J	CN502	QGB2027L1-26X	CONNECTOR	B-B (1-26)
R339	NRSA63J-472X	MG RESISTOR	4.7kΩ 1/16W J	CN503	QGB2027L1-26X	CONNECTOR	B-B (1-26)
R340	NRSA63J-103X	MG RESISTOR	10kΩ 1/16W J	K101	NQR0007-002X	FERRITE BEADS	
R341	NRSA63J-562X	MG RESISTOR	5.6kΩ 1/16W J	K301	NQR0007-002X	FERRITE BEADS	



Symbol No.	Part No.	Part Name	Description
K302	NQR0007-002X	FERRITE BEADS	
K303	NQR0007-002X	FERRITE BEADS	
K304	NQR0007-002X	FERRITE BEADS	
K401	NQR0007-002X	FERRITE BEADS	
K501	NQR0007-002X	FERRITE BEADS	
K504	NQR0007-002X	FERRITE BEADS	
K505	NQR0007-002X	FERRITE BEADS	
K507	NQR0007-002X	FERRITE BEADS	
K508	NQR0007-002X	FERRITE BEADS	
K509	NQR0007-002X	FERRITE BEADS	
K510	NQR0007-002X	FERRITE BEADS	
K513	NQR0007-002X	FERRITE BEADS	
K515	NRSA02J-0R0X	MG RESISTOR	0Ω 1/10W J
K518	NRSA02J-0R0X	MG RESISTOR	0Ω 1/10W J
K519	NQR0007-002X	FERRITE BEADS	
K520	NQR0007-002X	FERRITE BEADS	
K556	NQR0129-002X	FERRITE BEADS	
K557	NQR0129-002X	FERRITE BEADS	
K558	NQR0129-002X	FERRITE BEADS	
K559	NQR0129-002X	FERRITE BEADS	
K560	NRSA02J-0R0X	MG RESISTOR	0Ω 1/10W J
K561	NRSA02J-0R0X	MG RESISTOR	0Ω 1/10W J
K562	NRSA02J-0R0X	MG RESISTOR	0Ω 1/10W J
K563	NRSA02J-0R0X	MG RESISTOR	0Ω 1/10W J
K564	NRSA02J-0R0X	MG RESISTOR	0Ω 1/10W J
K565	NRSA02J-0R0X	MG RESISTOR	0Ω 1/10W J
K566	NRSA02J-0R0X	MG RESISTOR	0Ω 1/10W J
K567	NQR0007-002X	FERRITE BEADS	
K568	NRSA02J-0R0X	MG RESISTOR	0Ω 1/10W J
K569	NQR0007-002X	FERRITE BEADS	
K570	NRSA02J-0R0X	MG RESISTOR	0Ω 1/10W J
K571	NQR0007-002X	FERRITE BEADS	
K572	NRSA02J-0R0X	MG RESISTOR	0Ω 1/10W J
K573	NQR0007-002X	FERRITE BEADS	
K574	NRSA02J-0R0X	MG RESISTOR	0Ω 1/10W J
K575	NRSA02J-0R0X	MG RESISTOR	0Ω 1/10W J
K576	NRSA02J-0R0X	MG RESISTOR	0Ω 1/10W J
K577	NQR0007-002X	FERRITE BEADS	
K578	NRSA02J-0R0X	MG RESISTOR	0Ω 1/10W J
K579	NRSA02J-0R0X	MG RESISTOR	0Ω 1/10W J
K582	NRSA02J-0R0X	MG RESISTOR	0Ω 1/10W J
K586	NRSA02J-0R0X	MG RESISTOR	0Ω 1/10W J
X301	NAX0542-001X	C RESONATOR	16.93MHz
X401	NAX0543-001X	C RESONATOR	13.50MHz
X571	NAX0513-001X	CRYSTAL	27.000MHz

## DVD Spindle Motor board

LVB10242

LVB10242

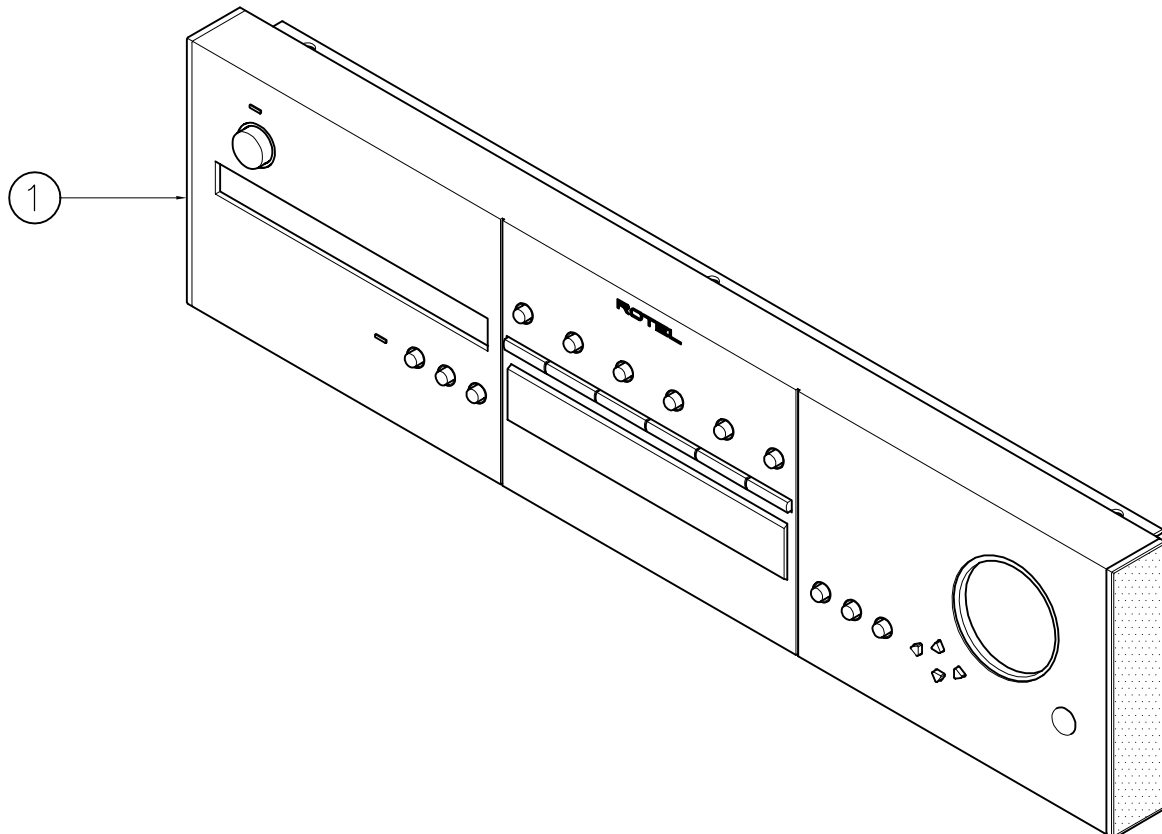
Symbol No.	Part No.	Part Name	Description
CN1	QGF1016F3-06	CONNECTOR	FFC/FPC (1-6)
S1	QSW0910-002	SWITCH	
S2	QSW0910-002	SWITCH	

SYMBOL	PART No.	DESCRIPTION
	<b>OTHERS</b>	
	011 FP-569-B	FRONT PANEL ASSY (BLACK)
	011 FP-569-S	FRONT PANEL ASSY (SILVER)
	012 RV4-09A00	PUSH BUTTON 14F (BLK)
	012 RV4-09A01	PUSH BUTTON 14F (SLV)
	012 TB3-16A00	KNOB 44F BLK(NO MARK)
	012 TB3-16A00S	KNOB 44F SLV(NO MARK)
	012 UX3-09A00	TACT BUTTON 13KEY(SLV)
	012 UX3-09A01	TACT BUTTON 13KEY(BLK)
	012 UX3-10A00	TACT BUTTON 3KEY(SLV)
	012 UX3-10A01	TACT BUTTON 3KEY(BLK)
	012 UX3-13A00	TACT BUTTON 4KEY(SLV)
	012 UX3-13A01	TACT BUTTON 4KEY(BLK)
	014 C-4854A00	ORNAMENT SIDE BOARD 109MM SILVER
	014 C-4854A01	ORNAMENT SIDE BOARD 109MM BLACK
	014 FP-570-B	DVD DOOR (BLACK)
	014 FP-570-S	DVD DOOR (SILVER)
	014 UX3-08A00	UPPER COVER(SLV)
	014 UX3-08A01	UPPER COVER(BLK)
	016 X-1410A00	SWITCH PCB RSDX-02
X2	019 4TR-2823#2	PLASTIC FOOT (24Φ)
X2	019 4TSH-19#2	PLASTIC FOOT (50Φ)
	019 C-4714A00	POWER KNOB RING 14F (BLK)
	019 C-4714A01	POWER KNOB RING 14F (SLV)
	019 PR4-12B00	KNOB RING(RED) 46F
	019 PR4-12B01	KNOB RING(BLU) 46F
	019 UD4-04A00	TACT BUTTON 3KEY RING(SLV)
	019 UD4-04A01	TACT BUTTON 3KEY RING(BLK)
	021 RLA172A00	AM LOOP ANT
	034 SEL1E24W	LED (BLU) 1X5
	061 4TR-2947	PUSH SWITCH SPUN12K007
	062 C-2629A01	AC 2P INLET 6102.3100 (WIRING)
	065 C-4858A00	3.5ΦMINI JACK
X2	067 C-4761A01	SPEAKER TERMINAL (4P)
	067 C-4762A01	SPEAKER TERMINAL (2P)
	072 4TR-3228	T TYPE ANTENNA
	072 C-4623A01	AC CORD SET BS
	072 C-4624A01	AC CORD SET EC
	072 C-4741A01	AC CORD SET EC (2.5A)
	072 C-4743A01	AC CORD SET BS (2.5A)
	081 UX3-15A01	INSIDE CARTON RSDX-02E
	081 UX3-16A01	SHIPPING CARTON RSDX-02E
	081 Z-211	STYROL MOULDING
	082 OMRR-1070-1	OWNER'S MANUAL (EFS)
	082 OMRR-1070-2	OWNER'S MANUAL (GIDSw)
	082 OMRSDX-02E	OWNER'S MANUAL
	090 RX-DV31-MECH	DVD MECH ASSY
	092 RR-1070	REMOTE UNIT
	QAR0244-001	FAN MOTOR
	QAU0278-003	FRONTEND
	QQT0371-004	POWER TRANSFORMER (230V)
SUB TRANS (94)	QUQ412-1015CJ	FFC WIRE
FRONTEND (98)	QUQ412-1106CJ	FFC WIRE
DSP PCB (99)	QUQ412-1217CJ	FFC WIRE
MAIN - FL PCB (95)	QUQ412-1328CJ	FFC WIRE
SCART PCB (97)	QUQ412-1606CJ	FFC WIRE
SCART PCB (96)	QUQ412-1706CJ	FFC WIRE

# Addendum List for Black and Silver

RSDX02

SYMBOL	PARTS	DESCRIPTION
①	011 FP-568-B	FRONT PANEL ASSY (BLK) RSDX-02
①	011 FP-568-S	FRONT PANEL ASSY (SLV) RSDX-02
①	011 FP-569-B	FRONT PANEL ASSY (BLK) RSDX-02E
①	011 FP-569-S	FRONT PANEL ASSY (SLV) RSDX-02E
	012 RV4-09A00	PUSH BUTTON 14F (BLK)
	012 RV4-09A01	PUSH BUTTON 14F (SLV)
	012 TB3-16A00	KNOB 44F BLK(NO MARK)
	012 TB3-16A00S	KNOB 44F SLV(NO MARK)
	012 UX3-09A00	TACT BUTTON 13KEY(SLV)
	012 UX3-09A01	TACT BUTTON 13KEY(BLK)
	012 UX3-10A00	TACT BUTTON 3KEY(SLV)
	012 UX3-10A01	TACT BUTTON 3KEY(BLK)
	012 UX3-13A00	TACT BUTTON 4KEY(SLV)
	012 UX3-13A01	TACT BUTTON 4KEY(BLK)
	014 C-4854A00	ORNAMENT SIDE BOARD H=109MM SLV
	014 C-4854A01	ORNAMENT SIDE BOARD H=109MM BLK
	014 FP-570-B	TRAY FITTING(BLK)
	014 FP-570-S	TRAY FITTING(SLV)
	014 UX3-08A00	UPPER COVER(SLV)
	014 UX3-08A01	UPPER COVER(BLK)
	034 SEL1124R	LED (RED) 1X5
	034 SEL1E24W	LED (BLU) 1X5



# Troubleshooting

Use this chart to help you solve daily operational problems.

## ■ General

PROBLEM	POSSIBLE CAUSE	SOLUTION
The power does not come on.	The power cord is not plugged in.	Plug the power cord into an AC outlet.
No sound from speakers.	Speaker signal cables are not connected.	Check speaker wiring and reconnect if necessary.
	The audio cable is not connected properly.	Connect the cord properly
	An incorrect source is selected.	Select the correct source.
	Muting is activated.	Press MUTING on the remote control to cancel the muting.
	An incorrect input mode (analog or digital) is selected.	Select the correct input mode (analog or digital).
Sound from one speaker only.	Connections are incorrect.	Check connections.
	The balance is set to one extreme.	Adjust the balance properly.
"OVERLOAD" starts flashing on the display.	Speakers are overloaded because of high volume.	<ol style="list-style-type: none"> <li>1. Press <b>⏻/I</b> STANDBY/ON on the front panel to turn off the unit.</li> <li>2. Stop the playback source.</li> <li>3. Turn on the unit again, and adjust the volume.</li> </ol>
	Speakers are overloaded because of short circuit of speaker terminals.	Press <b>⏻/I</b> STANDBY/ON on the front panel to turn off the unit, then check the speaker wiring. If "OVERLOAD" does not disappear, unplug the AC power cord, then plug it back again. If speaker wiring is not short-circuited, contact your dealer.
The STANDBY lamp lights up after turning on the power, but soon the unit turns off (into standby mode).	The unit is overloaded because of a high voltage.	Press <b>⏻/I</b> STANDBY/ON on the front panel to turn off the unit. After unplugging the power cord, consult your dealer.
Remote control does not operate as you intend.	The remote control is not ready for your intended operation.	Press a source selecting button first, then press the buttons you want to use.
Remote control does not work.	It is too far from the unit, or is not facing the unit.	Come closer to the unit. Operate the remote control within 7 m (23 ft) from the unit.
	There is an obstruction hiding the remote sensor on the unit.	Remove the obstruction.
	The remote control is not aimed at the remote sensor on the unit or components.	Aim the remote control at the remote sensor on each component you want to operate.
	The batteries have been inserted into the wrong way round (+/-).	Insert the batteries correctly.
	Batteries are weak.	Replace batteries.

# Trouble Shooting

## ■ For DVD Player

PROBLEM	POSSIBLE CAUSE	SOLUTION
No picture is displayed on the TV.	The video cord is not connected correctly.	Connect the cord correctly
	TV input selection is incorrect.	Select the correct input on the TV.
	The disc is not playable.	Replace the disc
No picture is displayed on the TV screen, the picture is blurred, or the picture is divided into two parts.	The scanning mode is set to "PROGRESSIVE" though the unit is connected to a TV which does not support progressive video input, such as a conventional TV.	Change the scanning mode to "INTERLACE"
No sound is heard and "NO AUDIO" appears on the display.	The loaded disc may be illegally copied.	Consult with the disc vendor.
A disc cannot be played.	The unit's and disc's Region Code numbers are incompatible.	Replace the disc
	Parental Lock is in use.	Enter your password to change the parental level
A disc cannot be played and "0:00" appears on the display.	The disc is loaded with its label and data sides inverted.	Insert the disc correctly
	An unplayable disc is loaded.	Replace the disc
Video and audio are distorted.	The disc is scratched or dirty.	Replace or clean the disc
	A VCR is connected between the unit and the TV.	Connect the unit and TV directly.
	With some discs, a picture may be blurred when setting "PICTURE SOURCE" to "FILM" or "AUTO."	Set "PICTURE SOURCE" to "VIDEO (NORMAL)" or "VIDEO (ACTIVE)"
"MULTI CH" or "L/R ONLY" appears on the display.	The current track prohibits you from playing back with stereo sound.	Activate Surround mode or listen to another track.
The picture does not fit the TV screen properly.	"MONITOR TYPE" is not set correctly.	Set the monitor type correctly .
	The TV is not set correctly.	Set the TV correctly.
One-touch DVD playback does not work though you have connected AV COMPU LINK cord correctly.	The video output mode setting is incorrect.	Set the video output mode correctly according to the video connection between your TV and the unit
No subtitle appears on the TV screen though you have selected your initial subtitle language.	_____	Some discs are programmed to always display no subtitle initially. If this happens, press SUBTITLE on the remote control after starting play
Audio language is different from the one you have selected as your initial audio language.	_____	Some discs are programmed to always use the original language initially. If this happens, press AUDIO on the remote control after starting play

# Troubleshooting

## ■ For Tuner

PROBLEM	POSSIBLE CAUSE	SOLUTION
Hard to listen to broadcast because of noise.	The AM loop antenna is too close to the unit.	Change the position and direction of the AM loop antenna.
	The supplied FM antenna is not properly extended and positioned.	Extend the FM antenna at the best position.
Continuous hiss or buzzing during FM reception.	Incoming signal is too weak.	Connect an outdoor FM antenna or contact your dealer.
	The station is too far away.	Select a new station.
	An incorrect antenna is used.	Check with your dealer to be sure you have the correct antenna.
	Antennas are not connected properly.	Check connections.
Occasional cracking noise during FM reception.	Ignition noise from automobiles.	Move the antenna farther from automobile traffic.

## ■ For MP3

PROBLEM	POSSIBLE CAUSE	SOLUTION
A disc cannot be played.	No MP3 files are recorded on the disc.	Replace the disc.
	The disc is unplayable (such as CD-ROM).	
	MP3 files do not have the correct file extension—.mp3, .Mp3, .mP3, or .MP3 in their file names.	Add the file extension—.mp3, .Mp3, .mP3, or .MP3—to their file names .
	MP3 files are made at bit rate under 64 kbps.	This unit cannot play back such files. Replace the disc.
	MP3 files are not recorded in a format compliant with ISO 9660 Level 1 or 2.	Replace the disc. (Record MP3 files using a compliant application.)
No MP3 files, only JPEG files are played.	The MP3/JPEG setting is set to "JPEG."	When both MP3 files and JPEG files are recorded on a disc, to play MP3 files, set the MP3/JPEG setting to "MP3"

## ■ For JPEG

PROBLEM	POSSIBLE CAUSE	SOLUTION
A disc cannot be played.	No JPEG files are recorded on the disc.	Replace the disc.
	The disc is unplayable (such as CD-ROM).	
	JPEG files do not have the correct file extension in their file names.	Add the file extension—.jpg, .jpeg, .JPG, .JPEG or any uppercase and lowercase combination (such as ".Jpg")—to their file names
	JPEG files are not made with baseline JPEG format.	This unit cannot play back such files. Replace the disc.
	JPEG files are not recorded in a format compliant with ISO 9660 Level 1 or 2.	Replace the disc. (Record JPEG files using a compliant application.)
No JPEG files, only MP3 files are played.	The MP3/JPEG setting is set to "MP3."	When both MP3 files and JPEG files are recorded on a disc, to play JPEG files, set the MP3/JPEG setting to "JPEG"

## Procedure of RSDX-02 firmware upgrade

1. NOTE: Confirm the current Firmware version in the TEST mode. See TEST MODE method below. Power off the unit.
2. Connect the TV to monitor in the normal power on condition with DVD input, insert the Firmware CD-R disc. It is appeared "Firmware Upgrade Disc ... press UP" on the TV. Press UP button of remote unit.
3. It is play and automatically open the tray after upgraded the Firmware. Take out the disc and power off.
4. Check the updated Firmware version in the TEST mode. Finish.
5. Finally, set the Initialize the RSDX-02 DVD section.

**CAUTION: Do not power off during updating until the unit is open the tray.**

How to go TEST MODE:

1. To set the TEST MODE on the RSDX-02, Press and hold both "DVD" and "STOP" keys then connect the power line to RSDX-02 until appear "TEST xx" in the FL display. "xx" is Area code.
2. The TEST mode can be changed by "CHOICE" of remote key to show the "Firm version" in the FL display "XX XX XX" and last two digits show Firmware number.

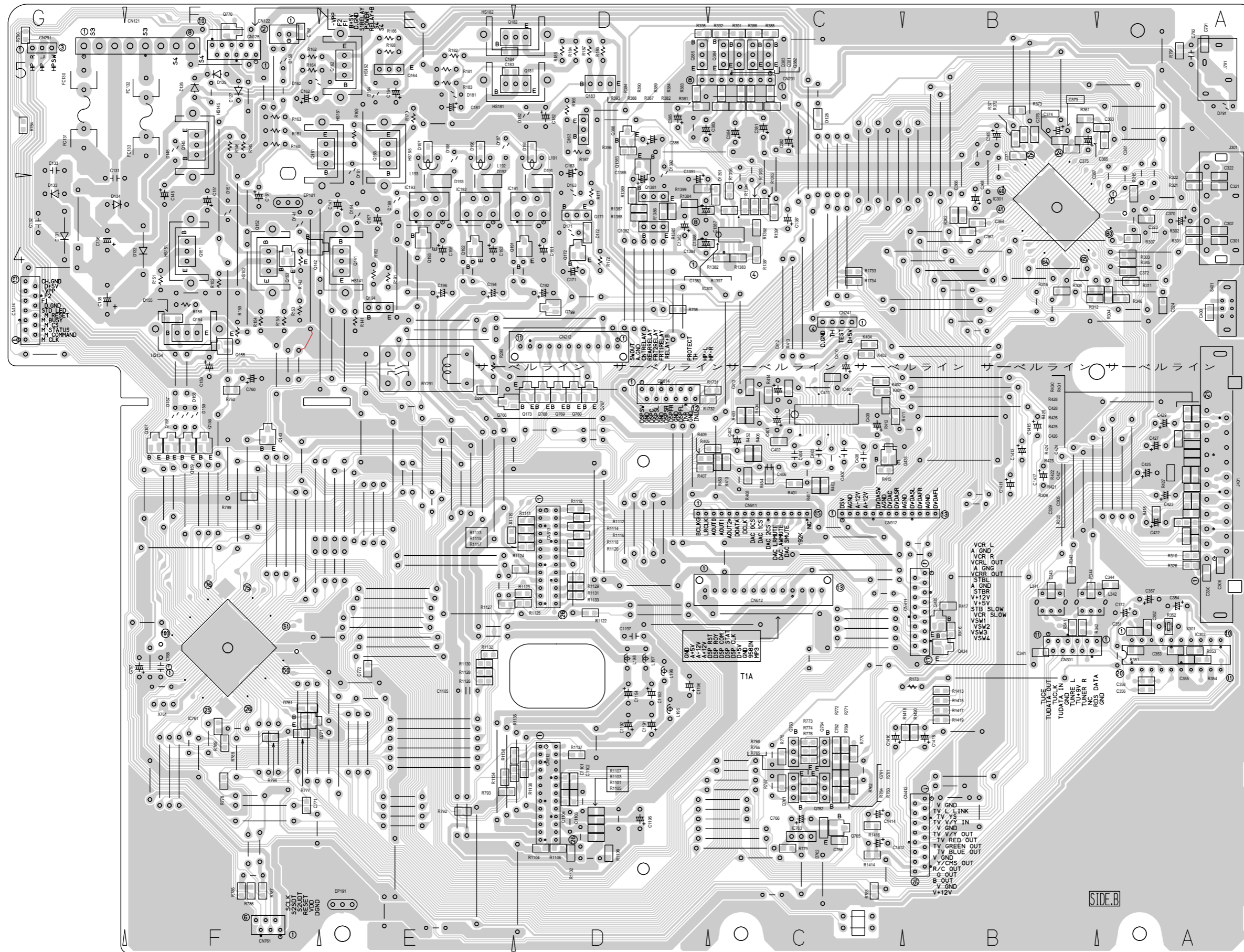
The methods of initialize the RSDX-02 DVD section:

1. To set the TEST MODE on the RSDX-02, Press and hold both "DVD" and "STOP" keys then connect the power line to RSDX-02 until appear "TEST xx" in the FL display. "xx" is Area code.
2. Press "PAUSE" button to initialize the DVD. When an indication of "INPUTATT" is displayed. Finish.
3. Press Standby switch to save.
4. The TEST mode can be changed by "CHOICE" of remote key to show the "Firm version", "All FL segments", "Check" of mechanism, "Expert" of Front-end.

# Memo



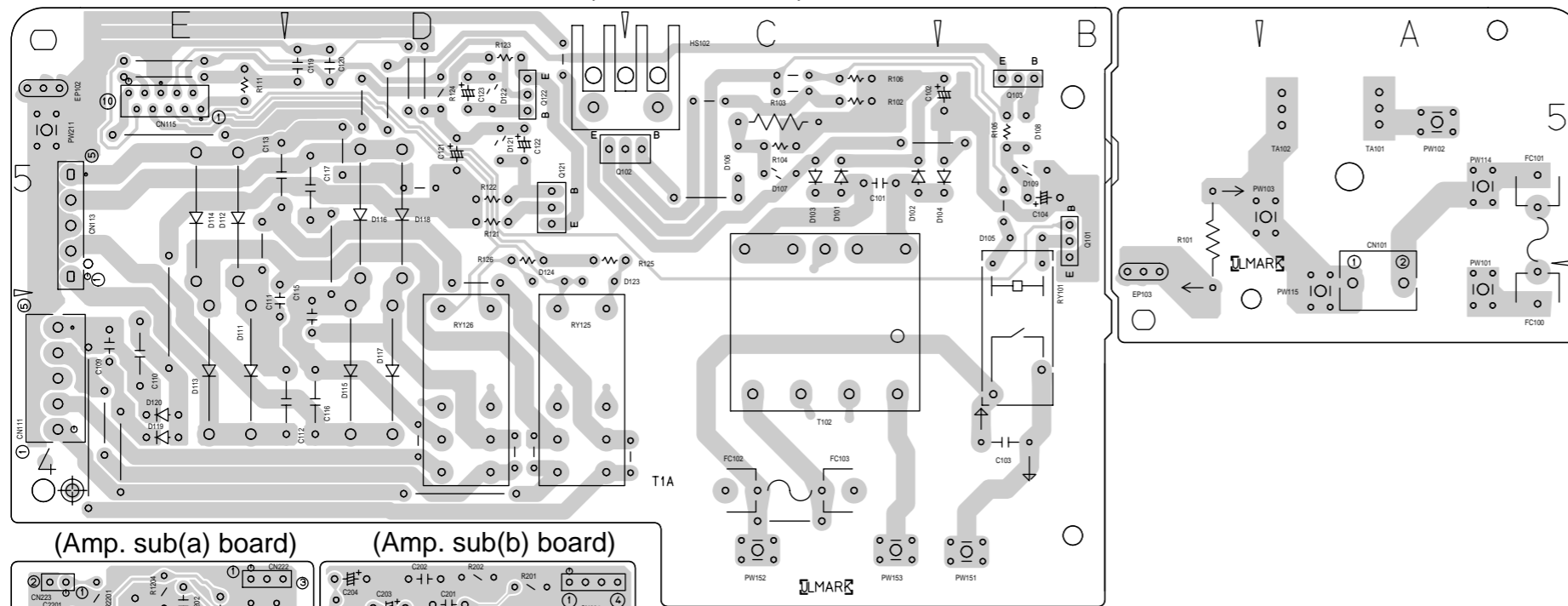
# Main PCB LVA10430 (RSDX-02E only)



# AMP/SUB Trans. PCB LVA10431

(Sub trans. board)

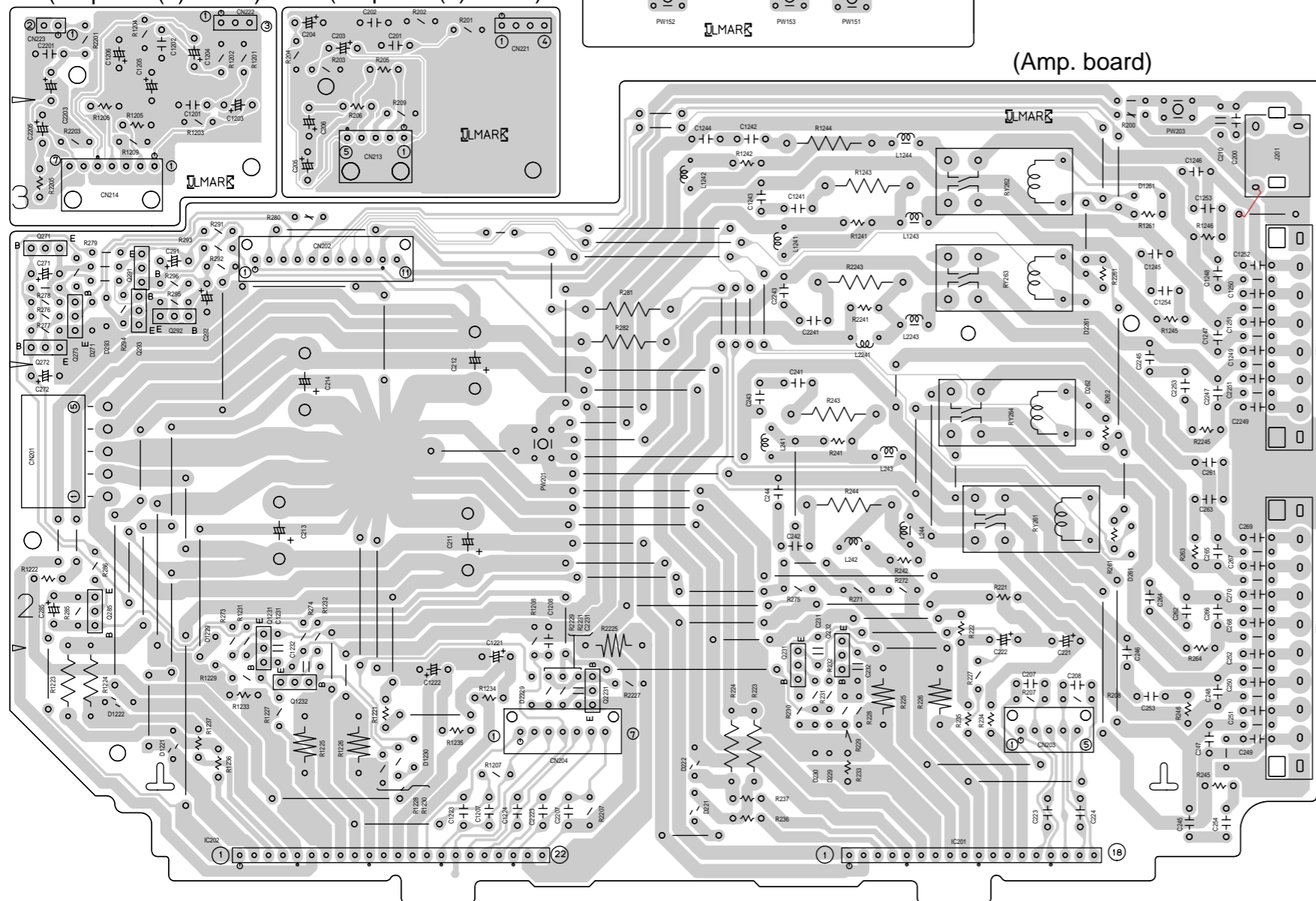
(Power board)



(Amp. sub(a) board)

(Amp. sub(b) board)

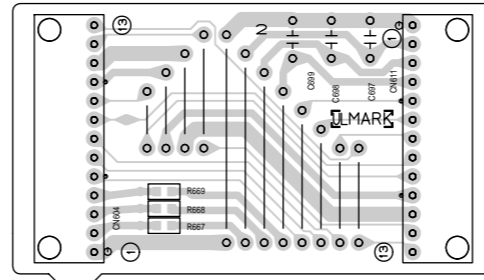
(Amp. board)



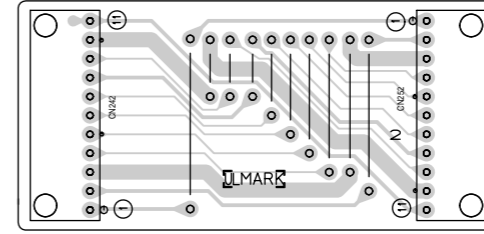


# Front PCB LVA10432

(DSP connector board)

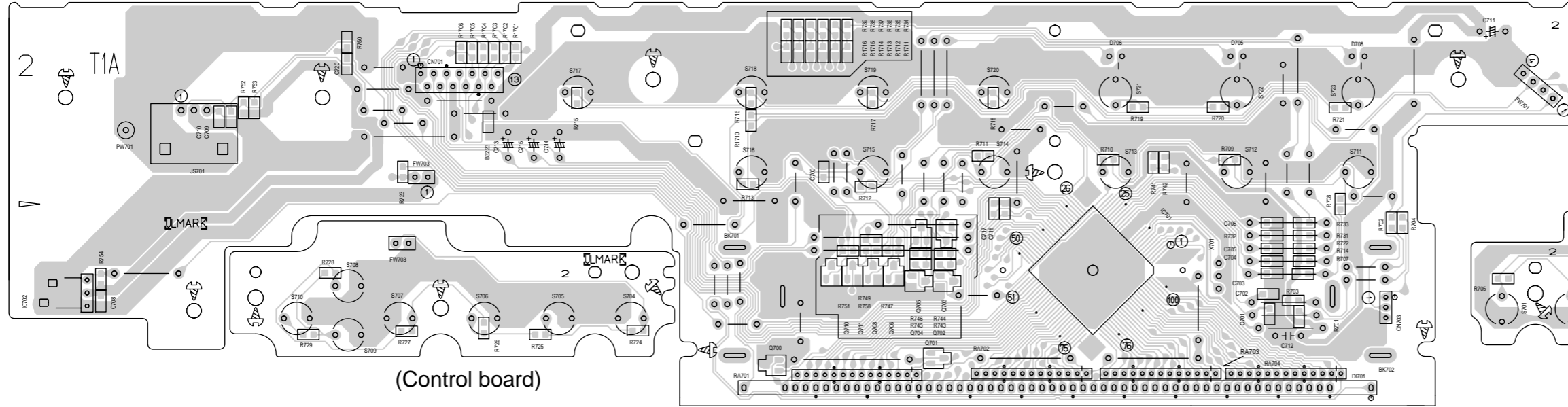
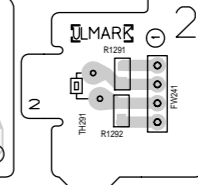


(Amp. connector board)

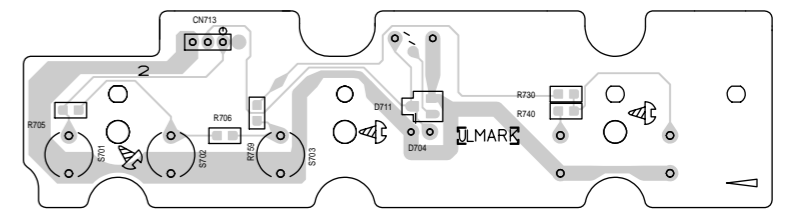


(FL board)

(H.sensor board)



(DVD AUDIO IND. board)

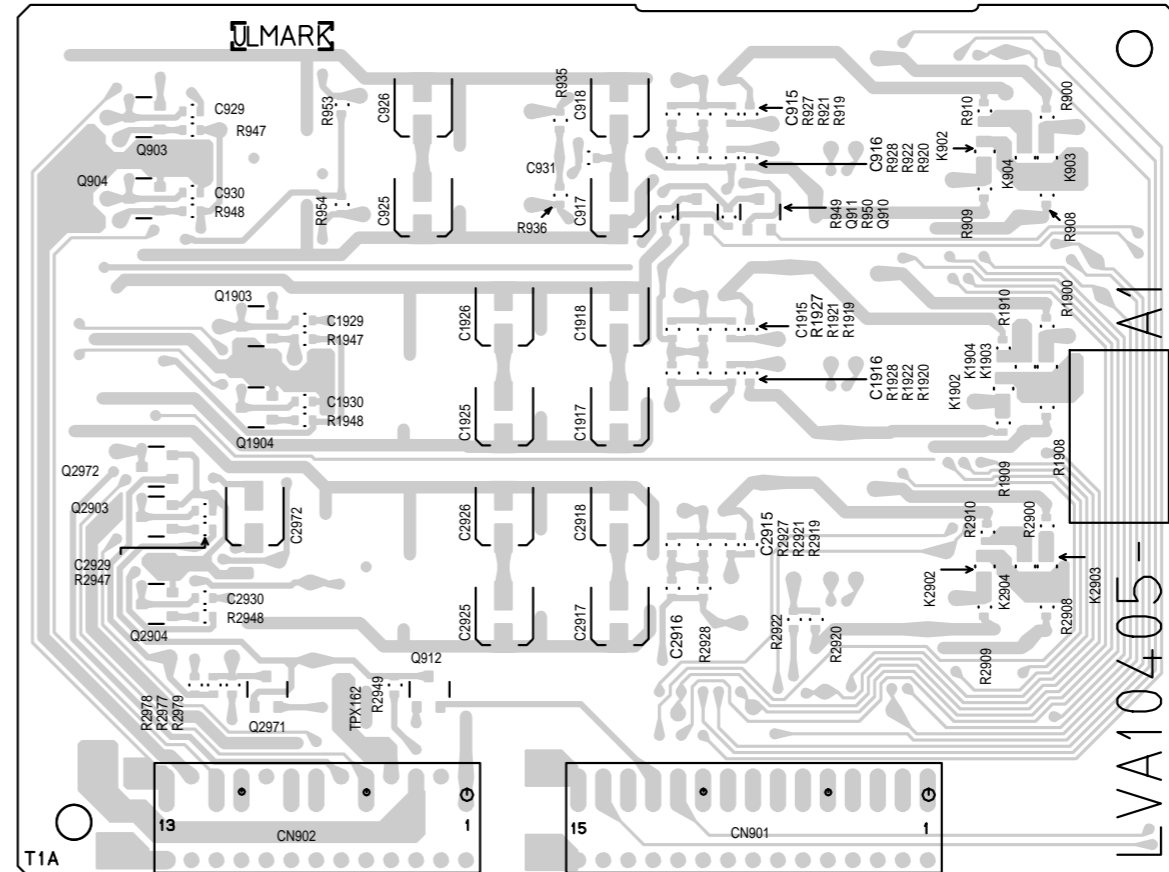
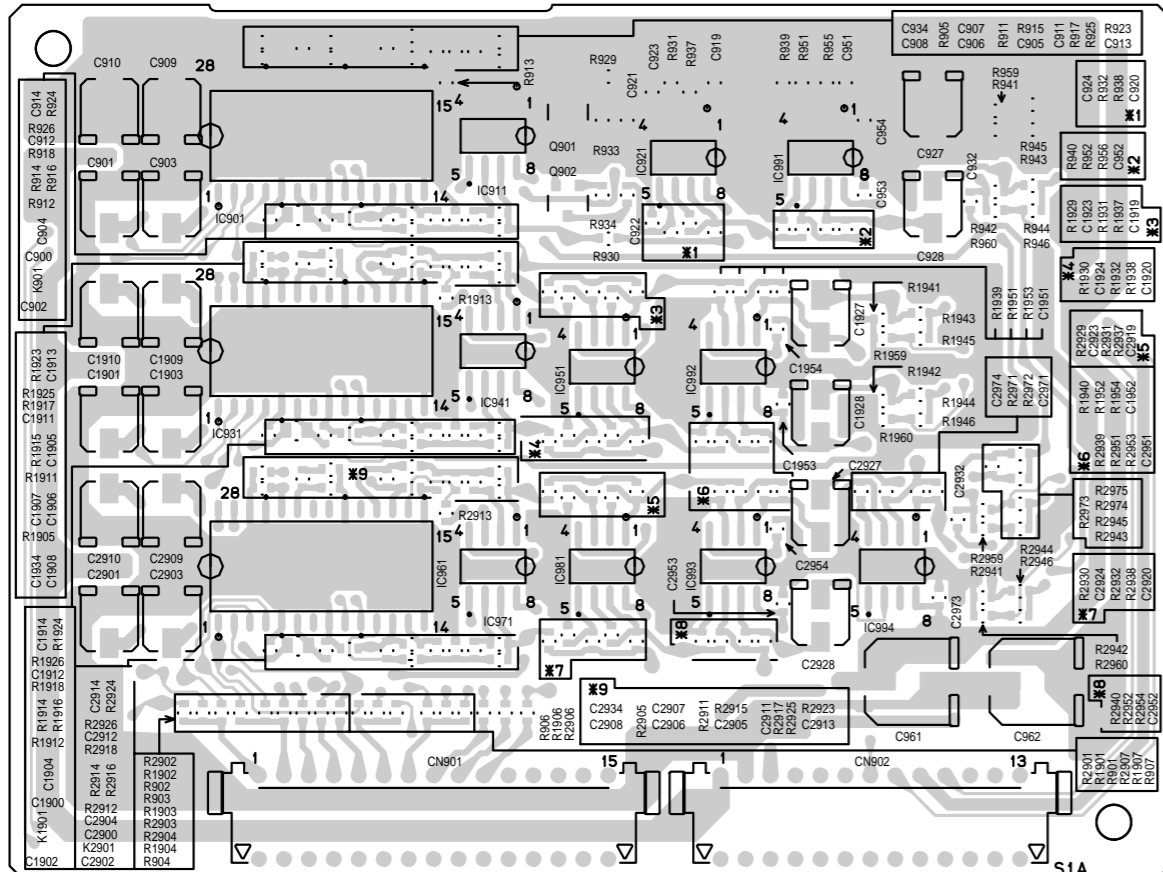


(Control board)

## Top View

# DAC PCB LVA10405

## Bottom View

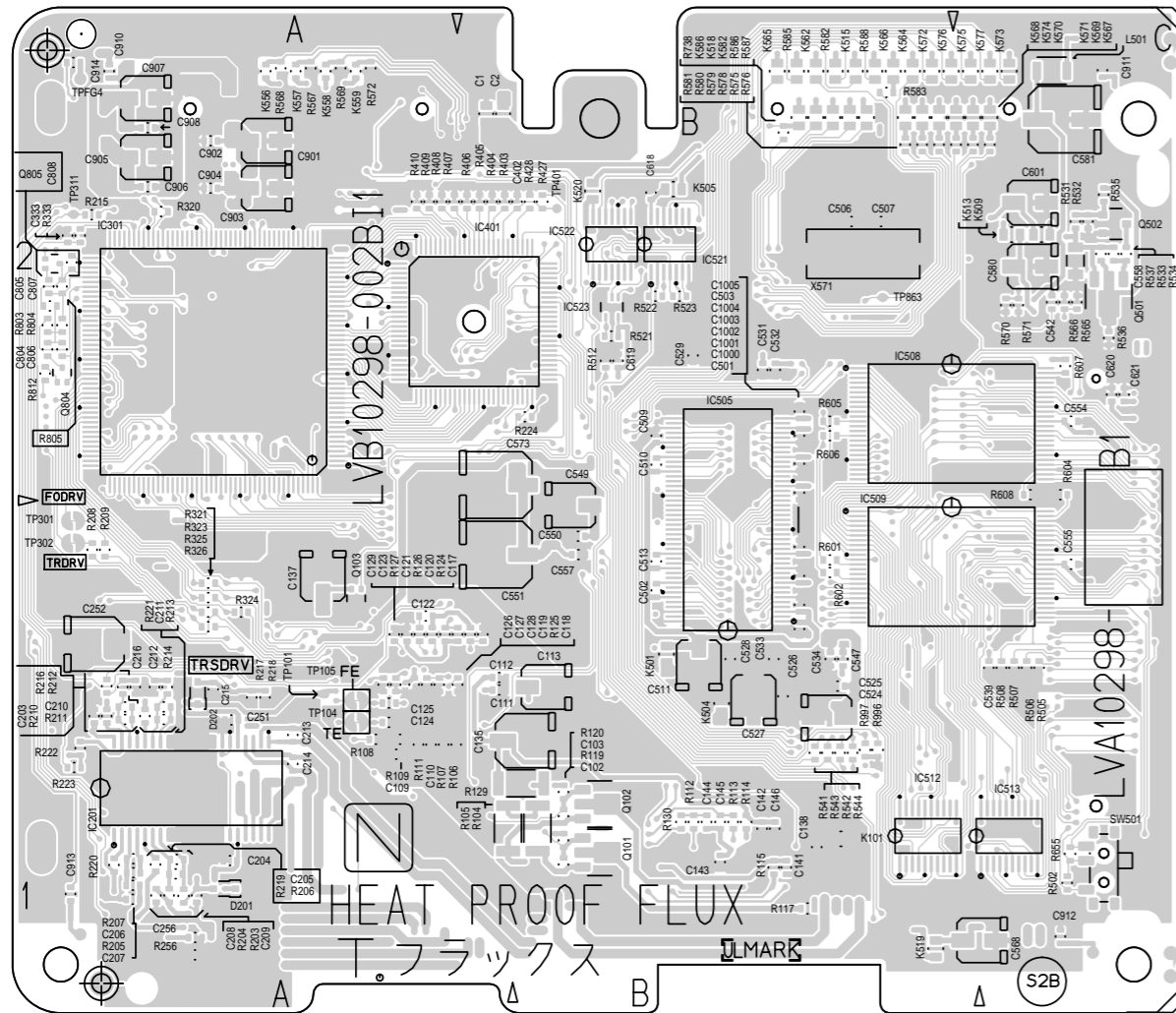




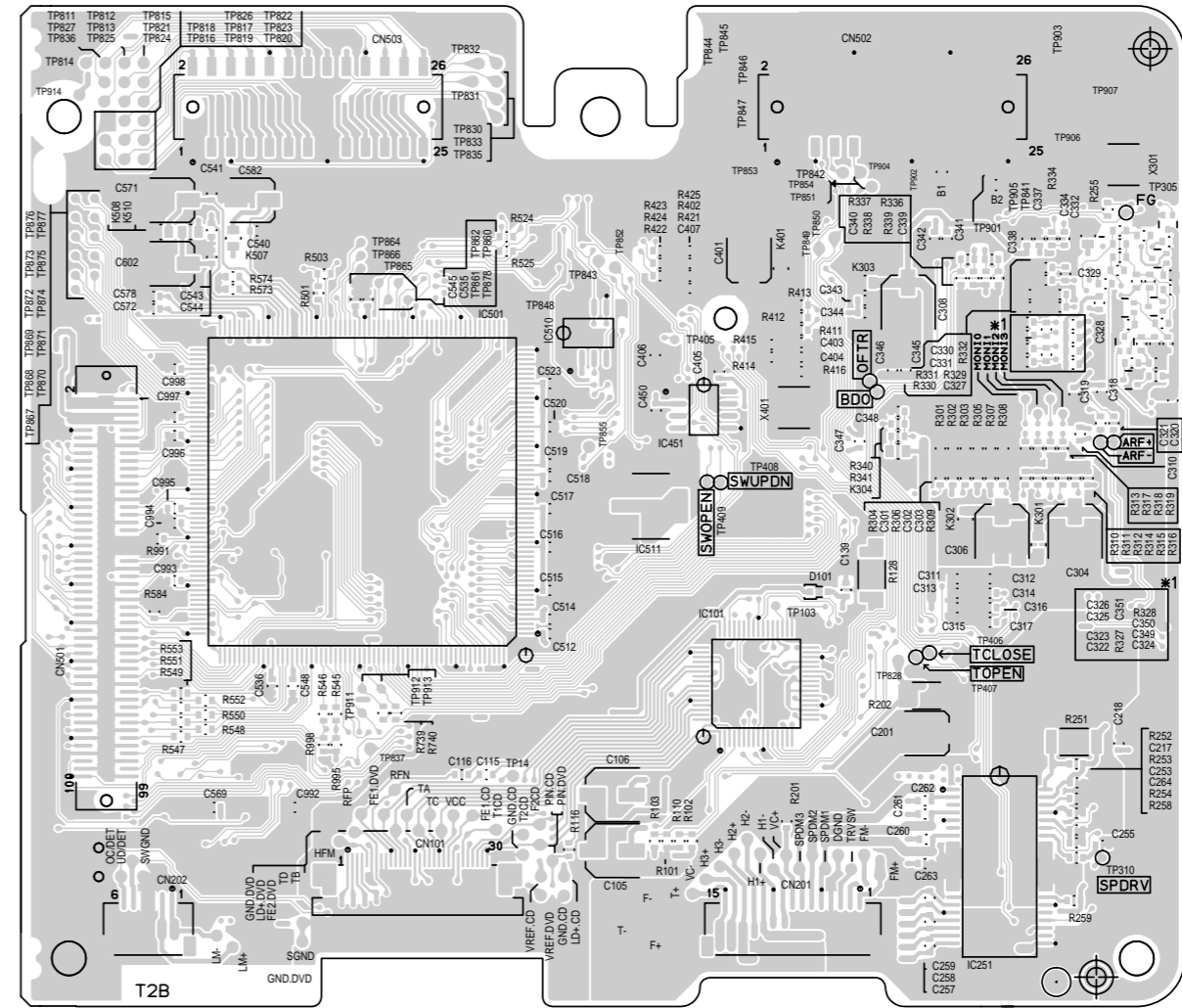


### DVD Servo PCB LVA10298

Top View



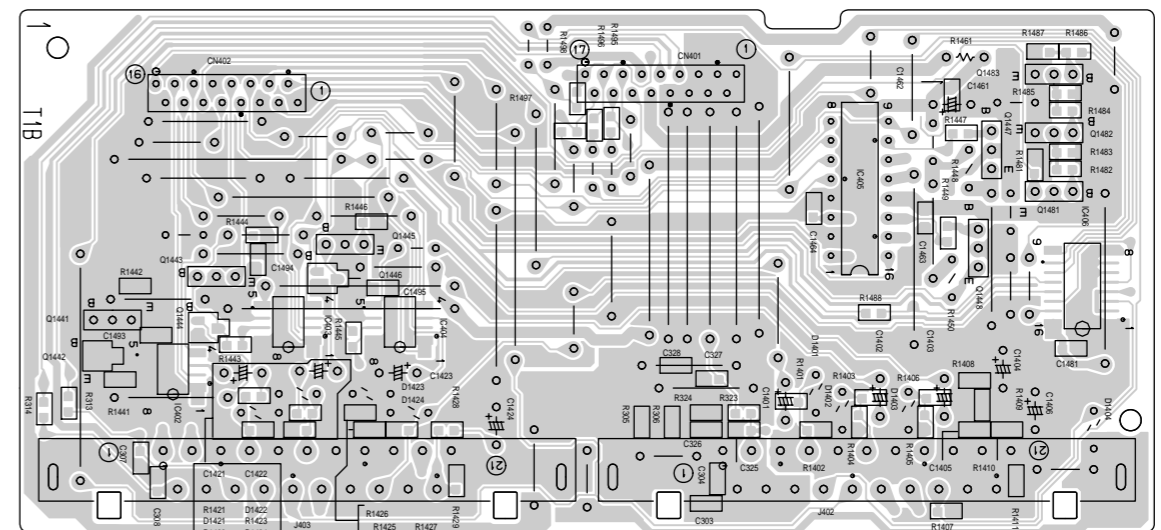
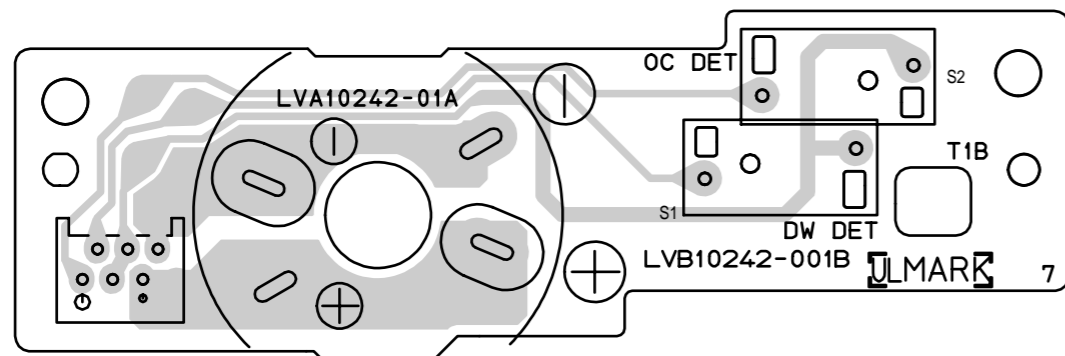
Bottom View



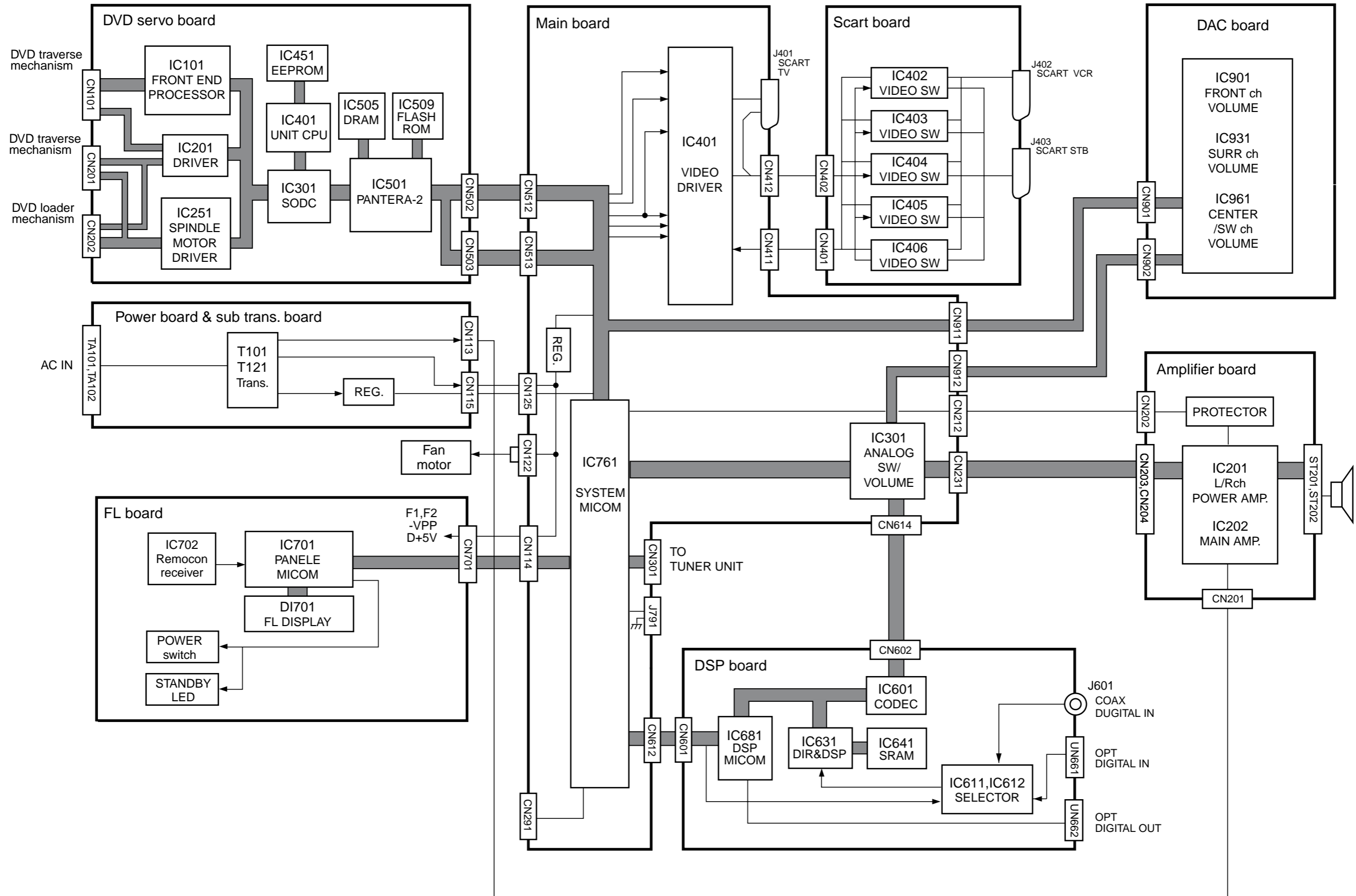
### Scart PCB LVA10359 (RSDX-02E only)

### Spindole Motor PCB LVB10242

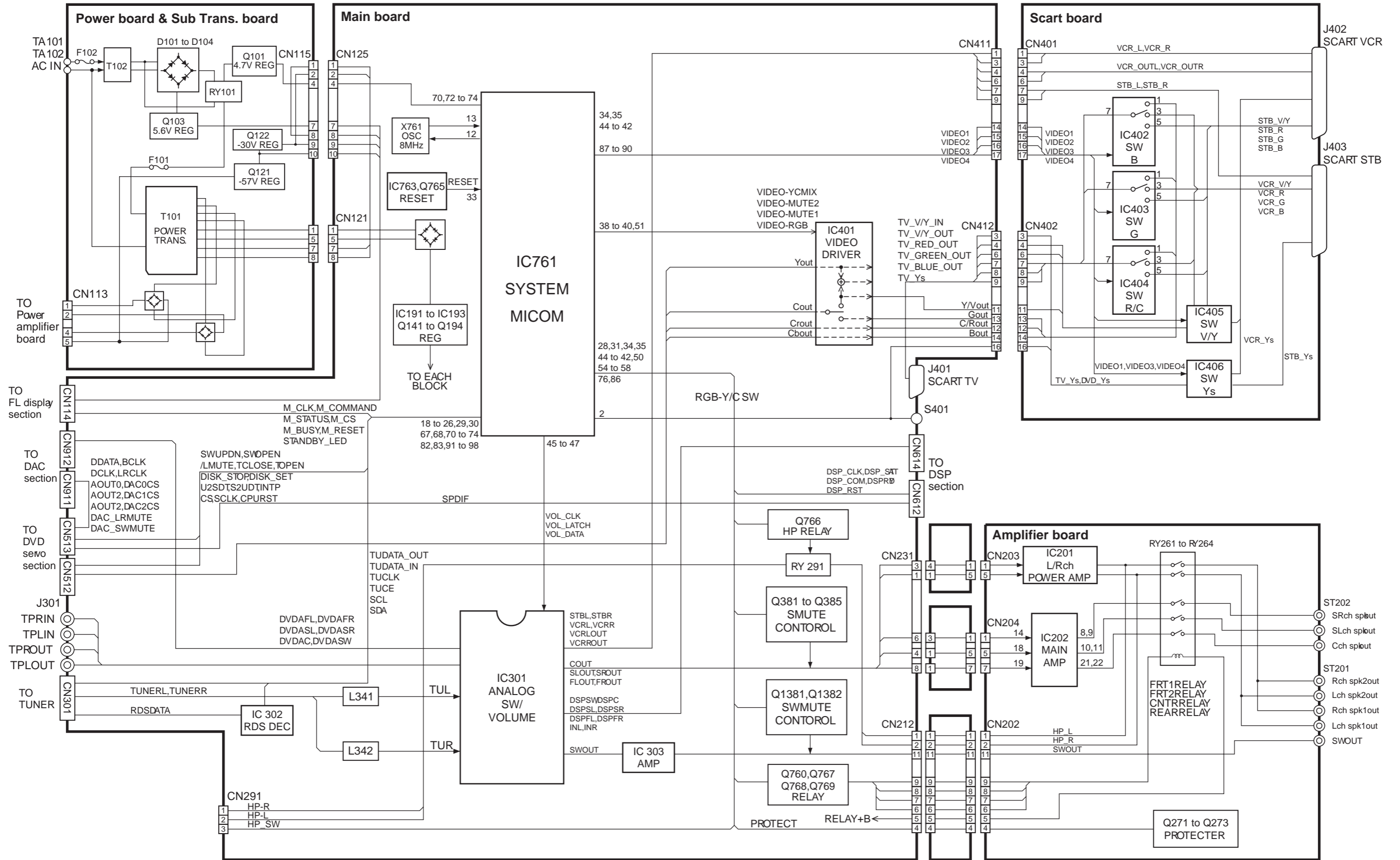
Bottom View



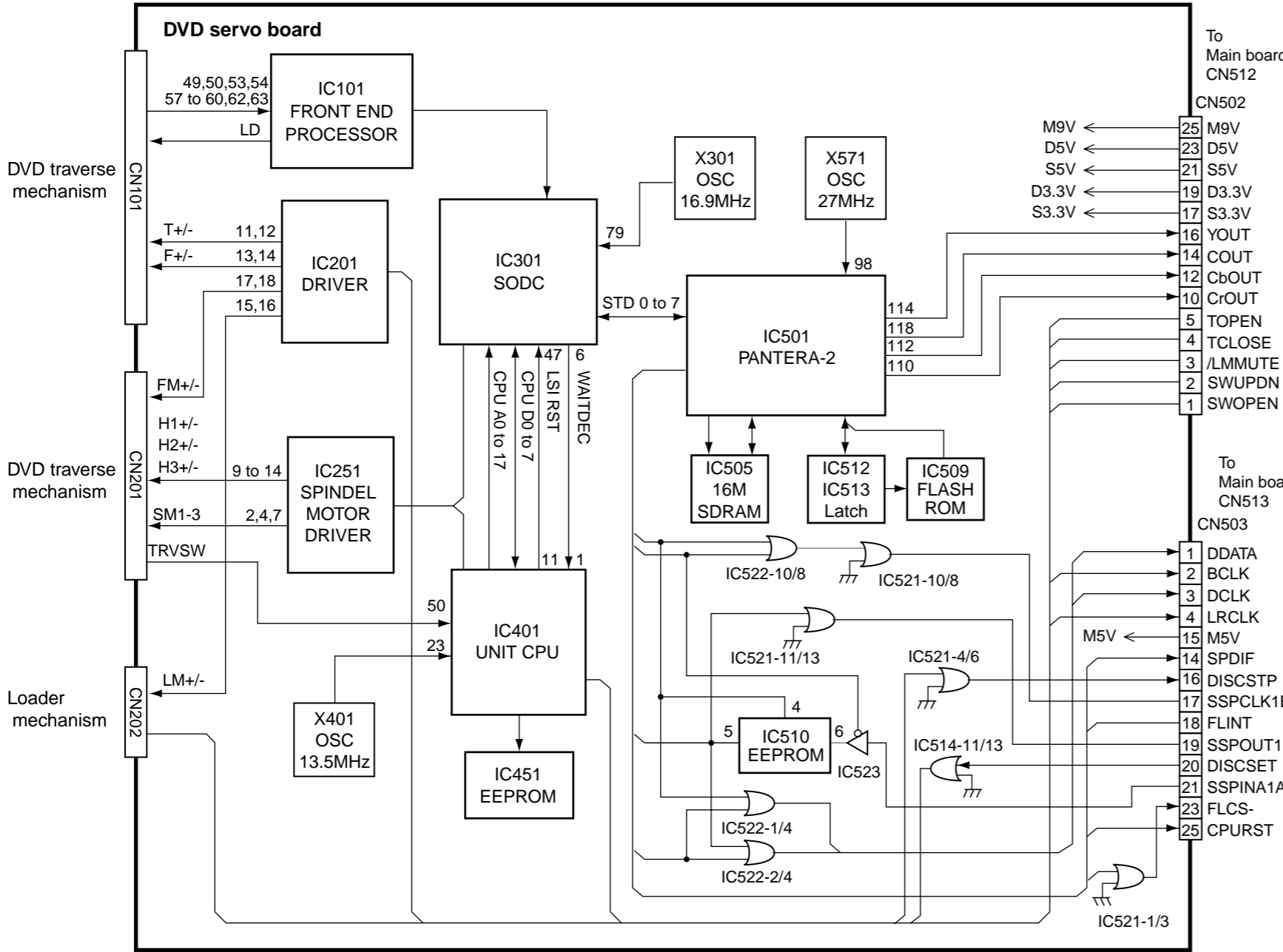
## Overall block diagram



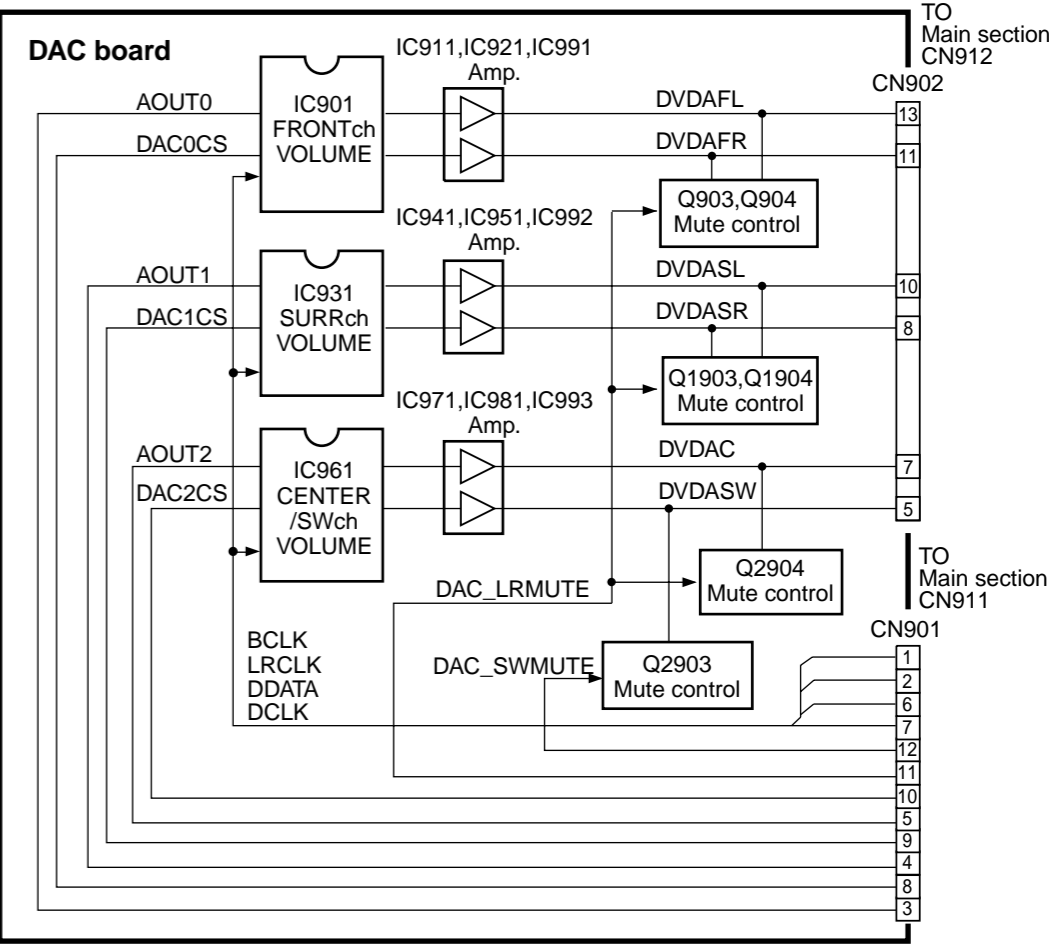
## Main section



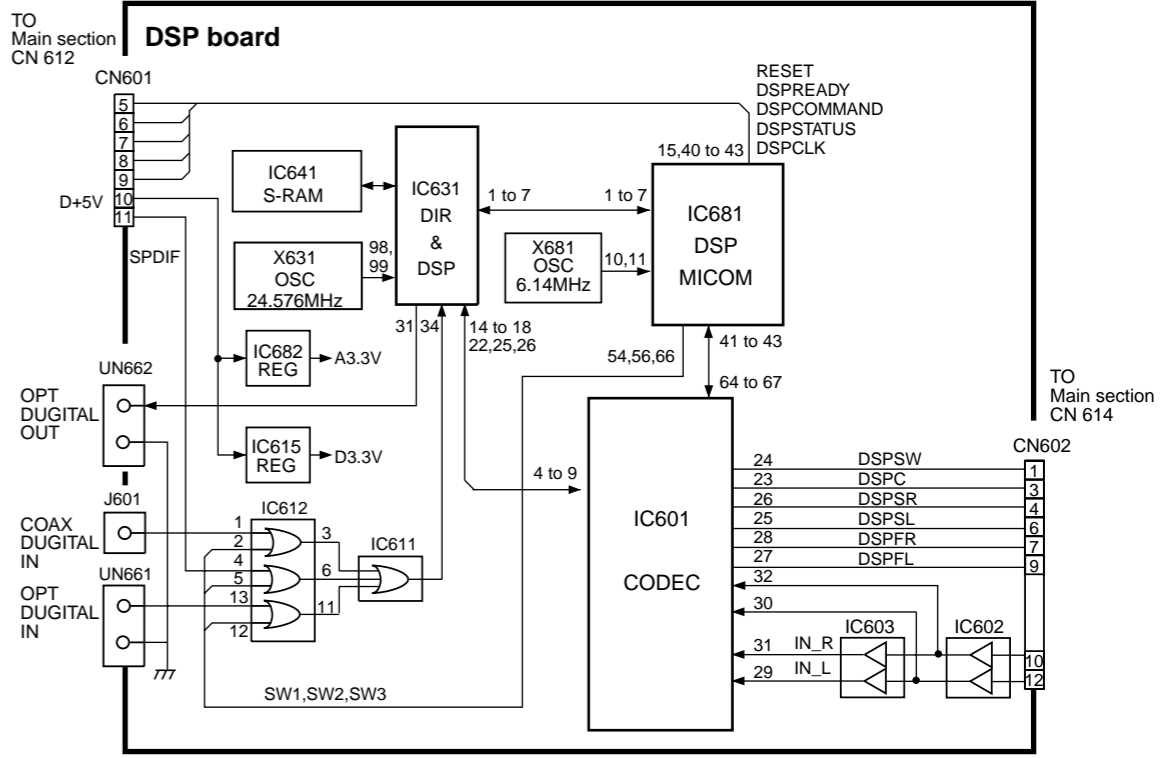
■ DVD servo section



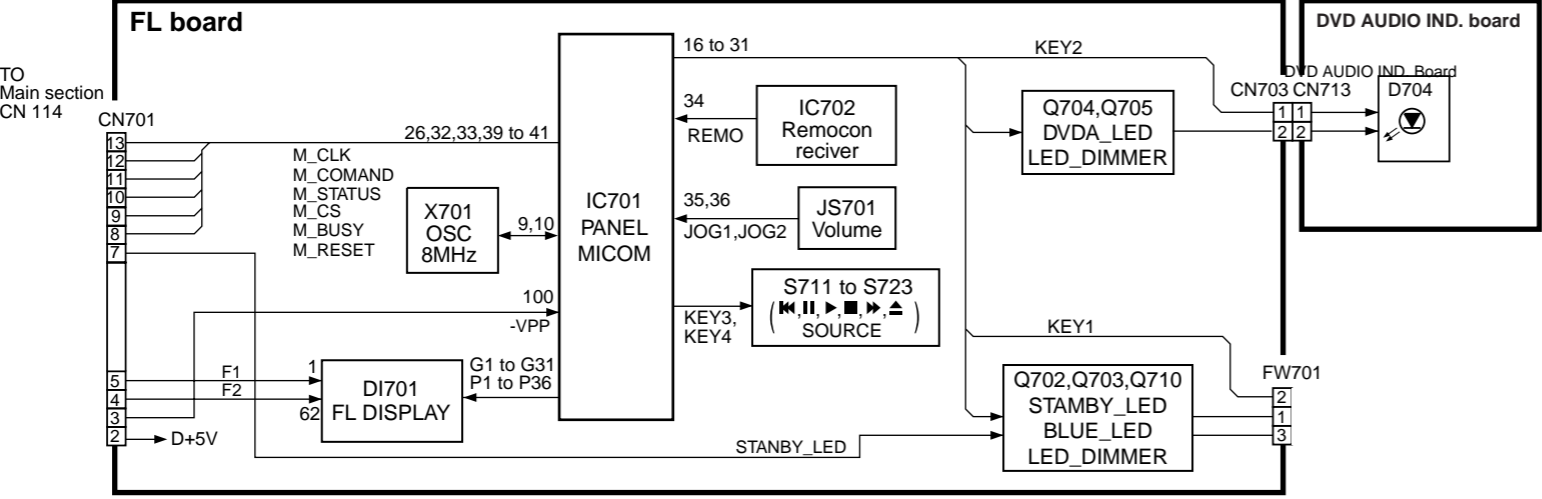
■ DAC section



■ DSP section



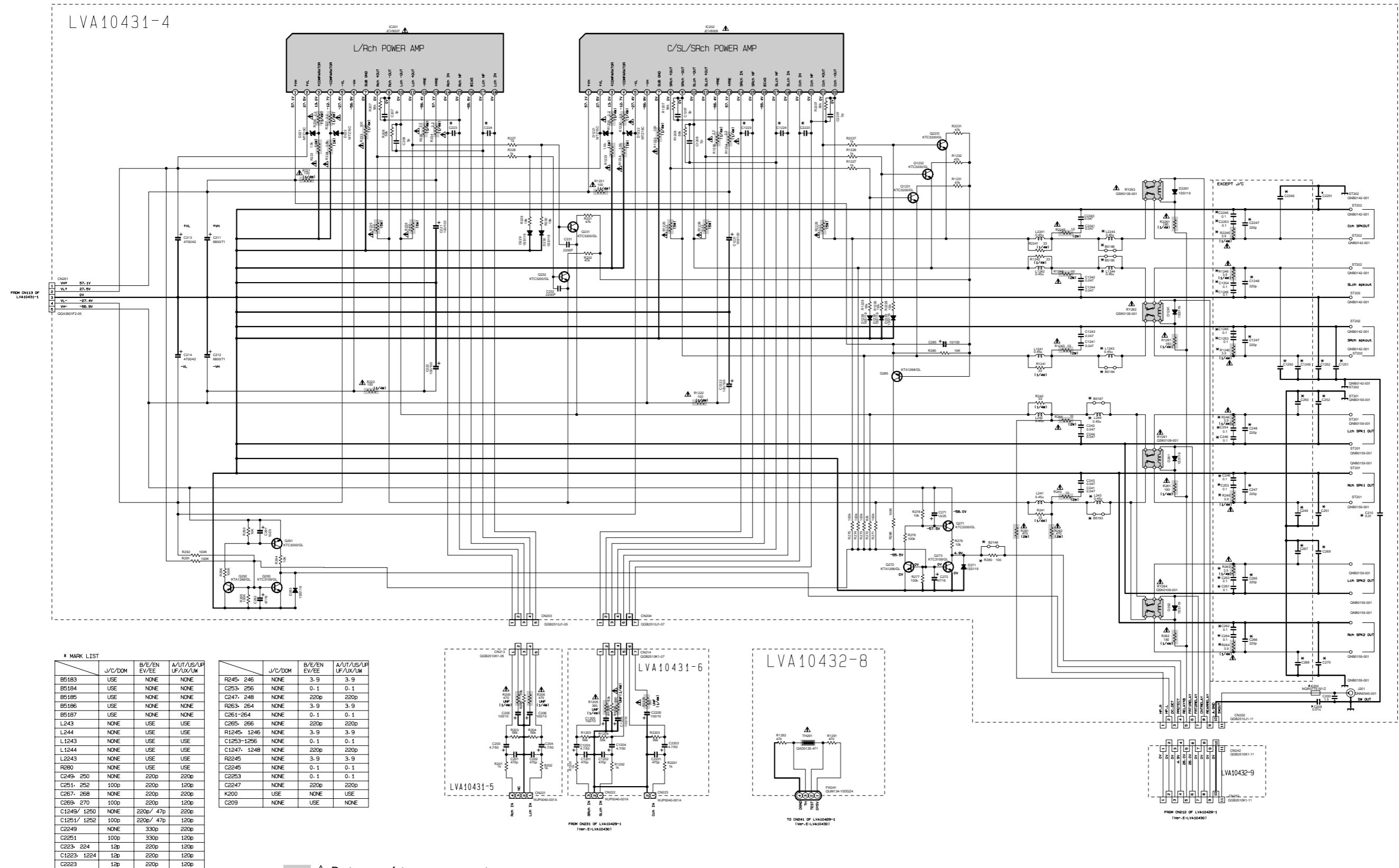
■ FL display section





■ Power amplifier section

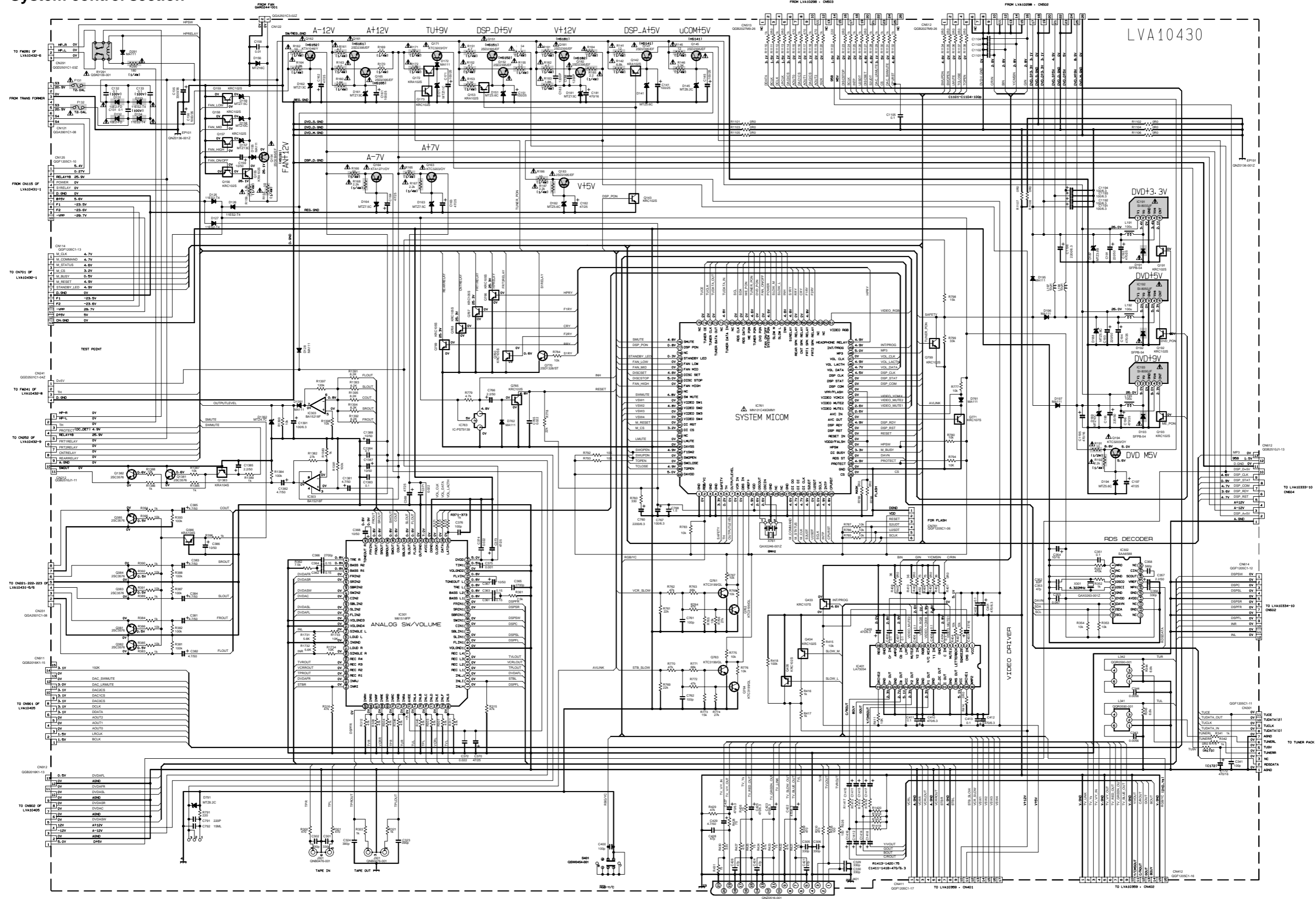
## AMP Section



▲ Parts are safety assurance parts.  
When replacing those parts make  
sure to use the specified one.

Main PCB LVA10430

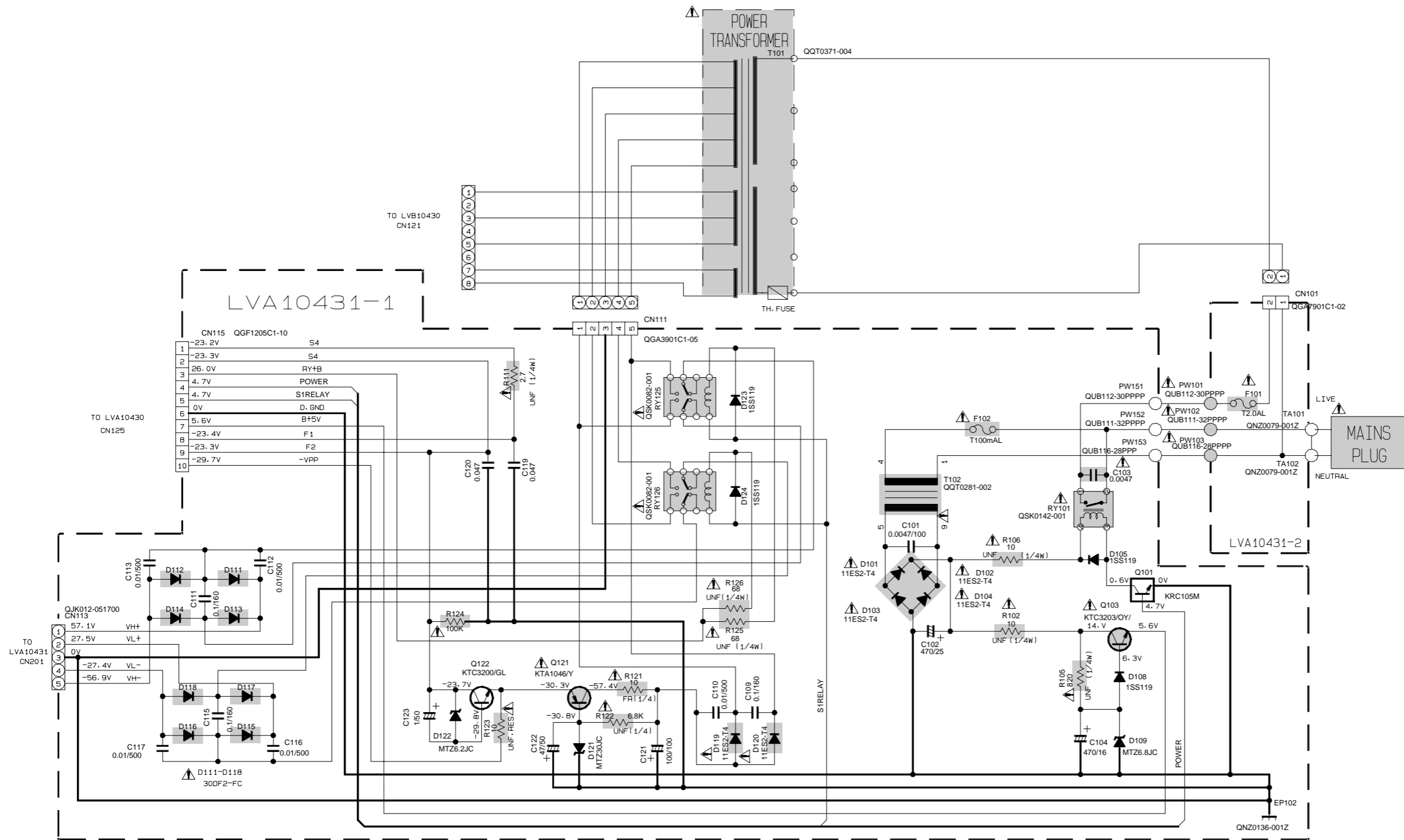
System control section



⚠ Parts are safety assurance parts.  
When replacing those parts make  
sure to use the specified one.

# Schematic Diagram 3/7

## Power Supply Section (LVA10431)



▲ Parts are safety assurance parts.  
When replacing those parts make  
sure to use the specified one.

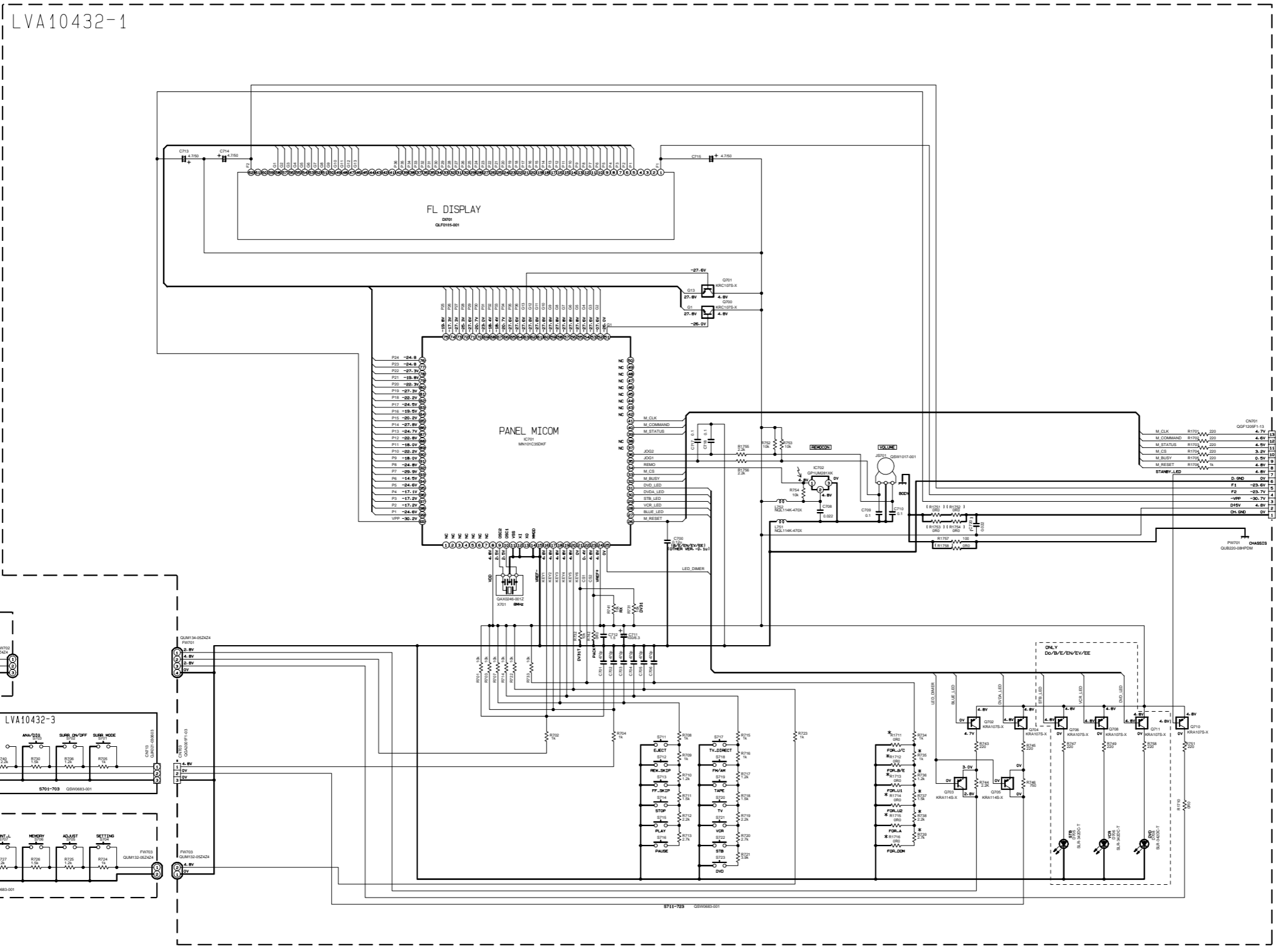
# Schematic Diagram 4/7

■ FL display section

## Front Section (LVA10432)

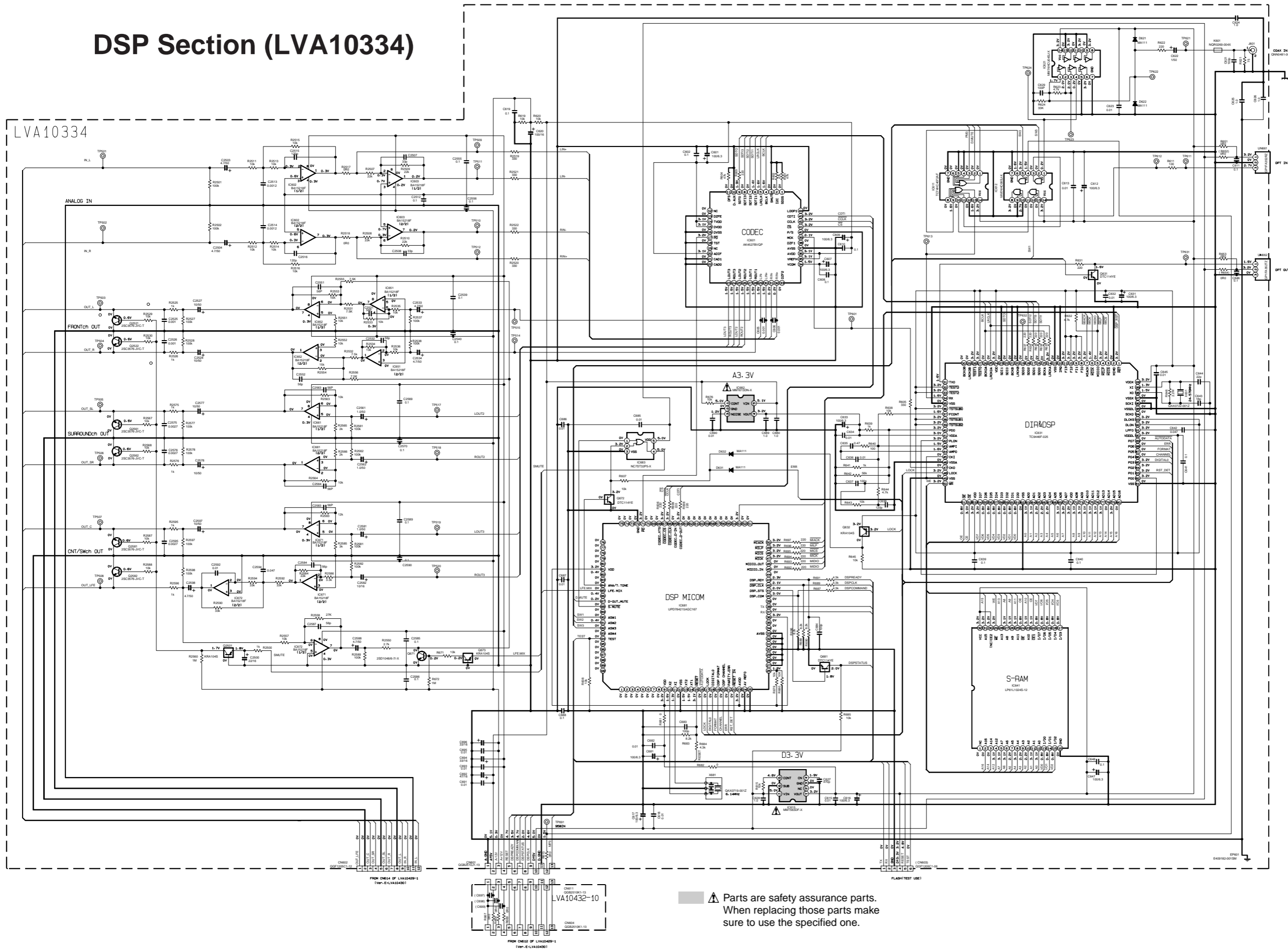
\* MARK LIST

	J/C	B/E/EN	UT/AS/UP	UK	A	DOM
R1711	USE	NONE	NONE	NONE	NONE	NONE
R1712	NONE	USE	NONE	NONE	NONE	NONE
R1713	NONE	NONE	USE	NONE	NONE	NONE
R1714	NONE	NONE	NONE	USE	NONE	NONE
R1715	NONE	NONE	NONE	NONE	USE	NONE
R1716	NONE	NONE	NONE	NONE	NONE	USE
R735	NONE	USE	USE	USE	USE	USE
R736	NONE	NONE	USE	USE	USE	USE
R737	NONE	NONE	NONE	USE	USE	USE
R738	NONE	NONE	NONE	NONE	USE	USE
R739	NONE	NONE	NONE	NONE	NONE	USE



FROM D0114 OF LVA10432-1 (Ver. E-LVA10432)

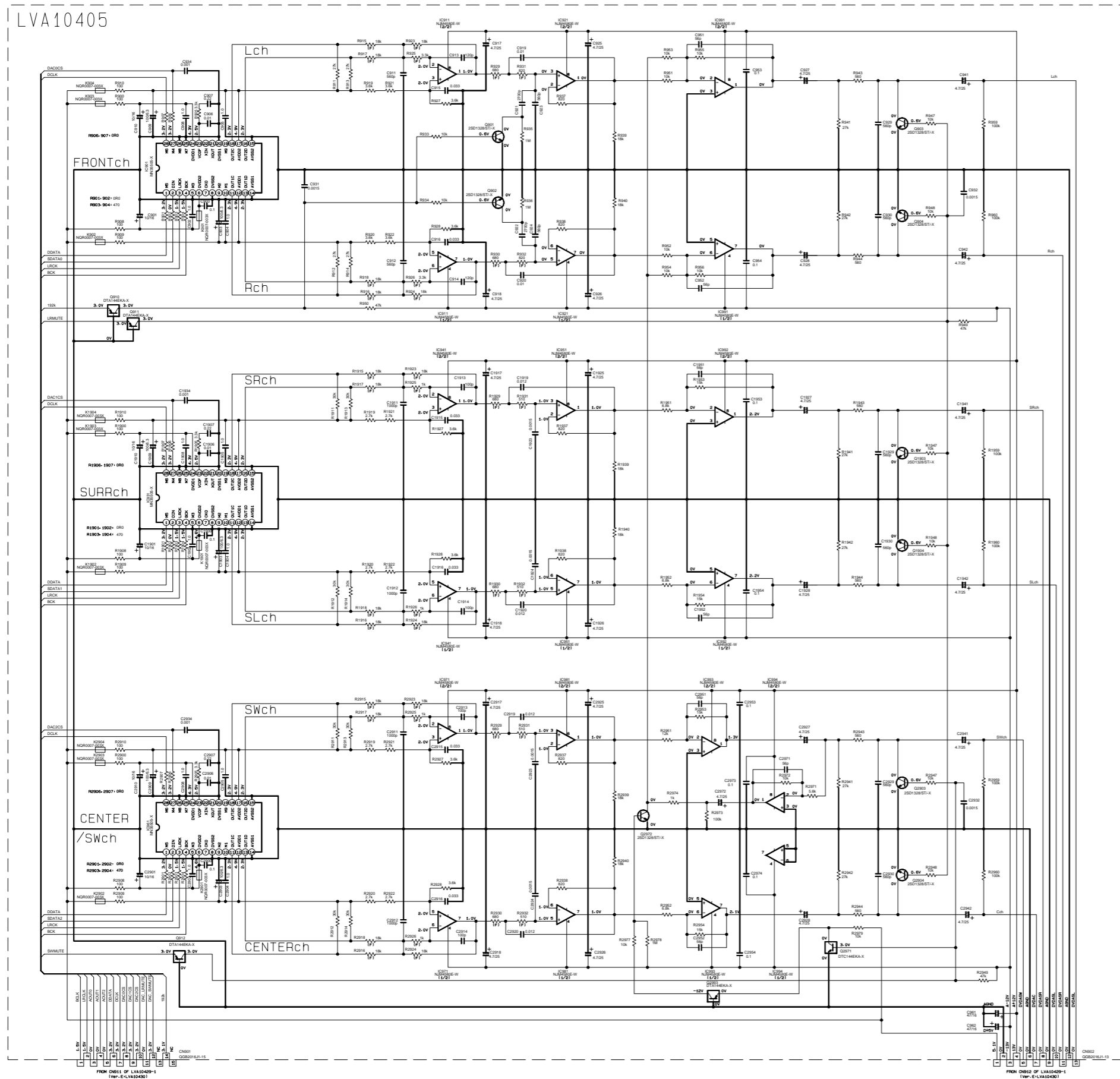
# DSP Section (LVA10334)



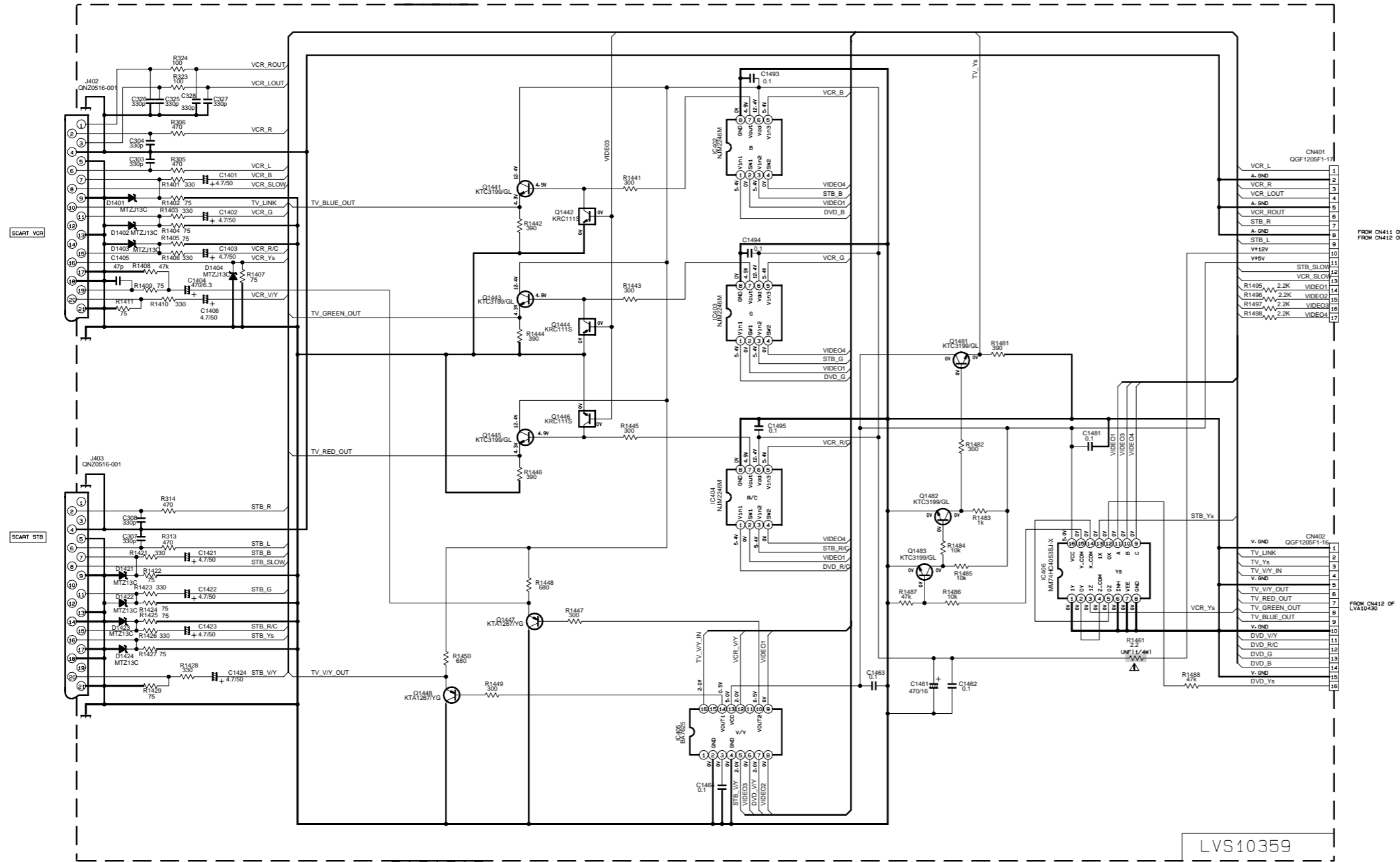


# Schematic Diagram 6/7

## DAC Section (LVA10405)



# Scart Input/Output Section (LVA10359)



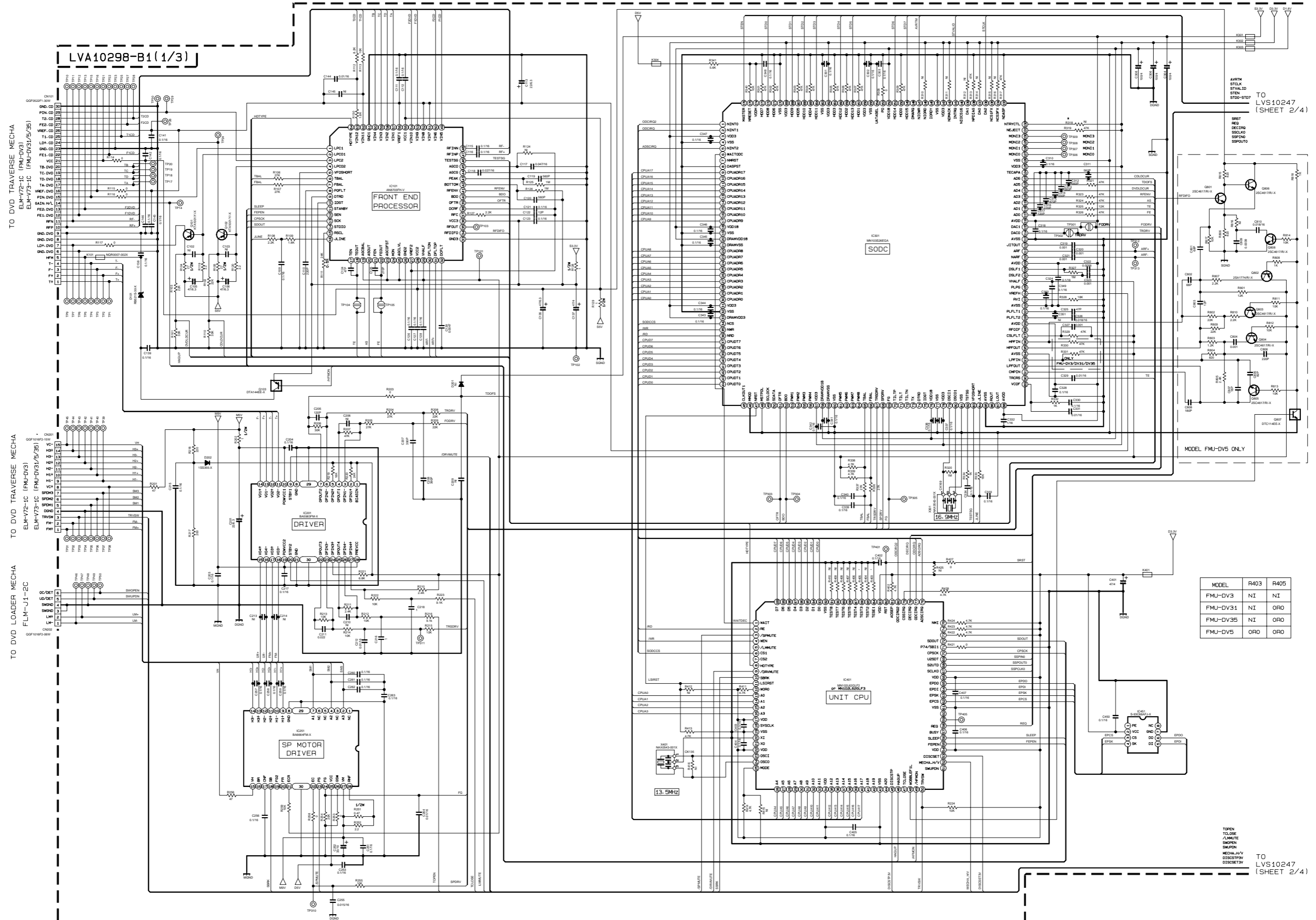
LVS10359

**⚠** Parts are safety assurance parts.  
When replacing those parts make  
sure to use the specified one.

CONTROL LOGIC

SOURCE	VIDEO1	VIDEO2	VIDEO3	VIDEO4
DVD	L	H	L	L
STB	H	H	L	L
VCR	H	L	L	H
TV	L	L	H	H
TAPE	H	H	H	H
FM/AM	H	H	H	H

DVD Servo Section 1/4 (LVA10298)





# Schematic Diagram 9/11

■ DVD servo section 2/4

## Servo PCB (2/4)

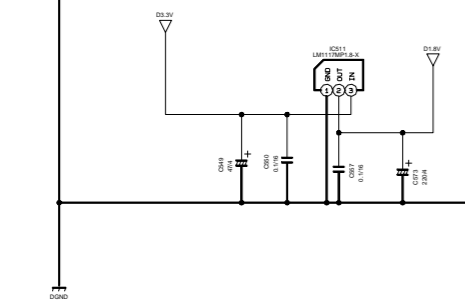
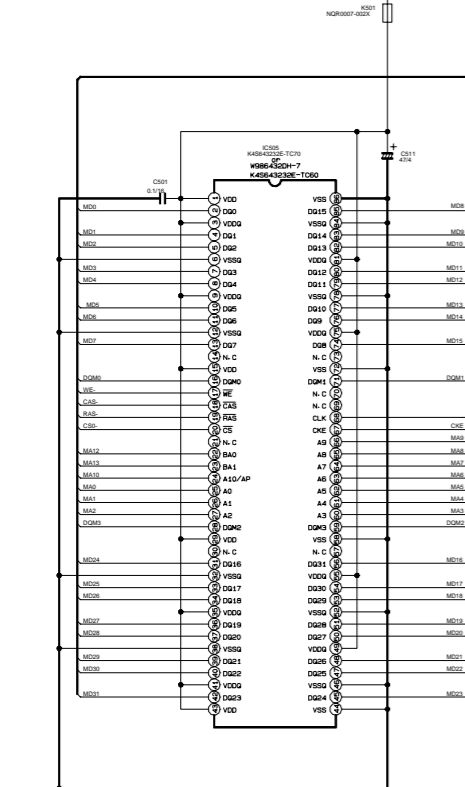
LVA10298-B1(2/3)

TO LVS10247 (SHEET 1/4)

SRS7  
RS0  
DEC19G  
SCLC1A  
SP1N0  
SP1Q0

AVR7H  
STCLK  
STVALID  
STEN  
ST00-ST07

NC001-NC007

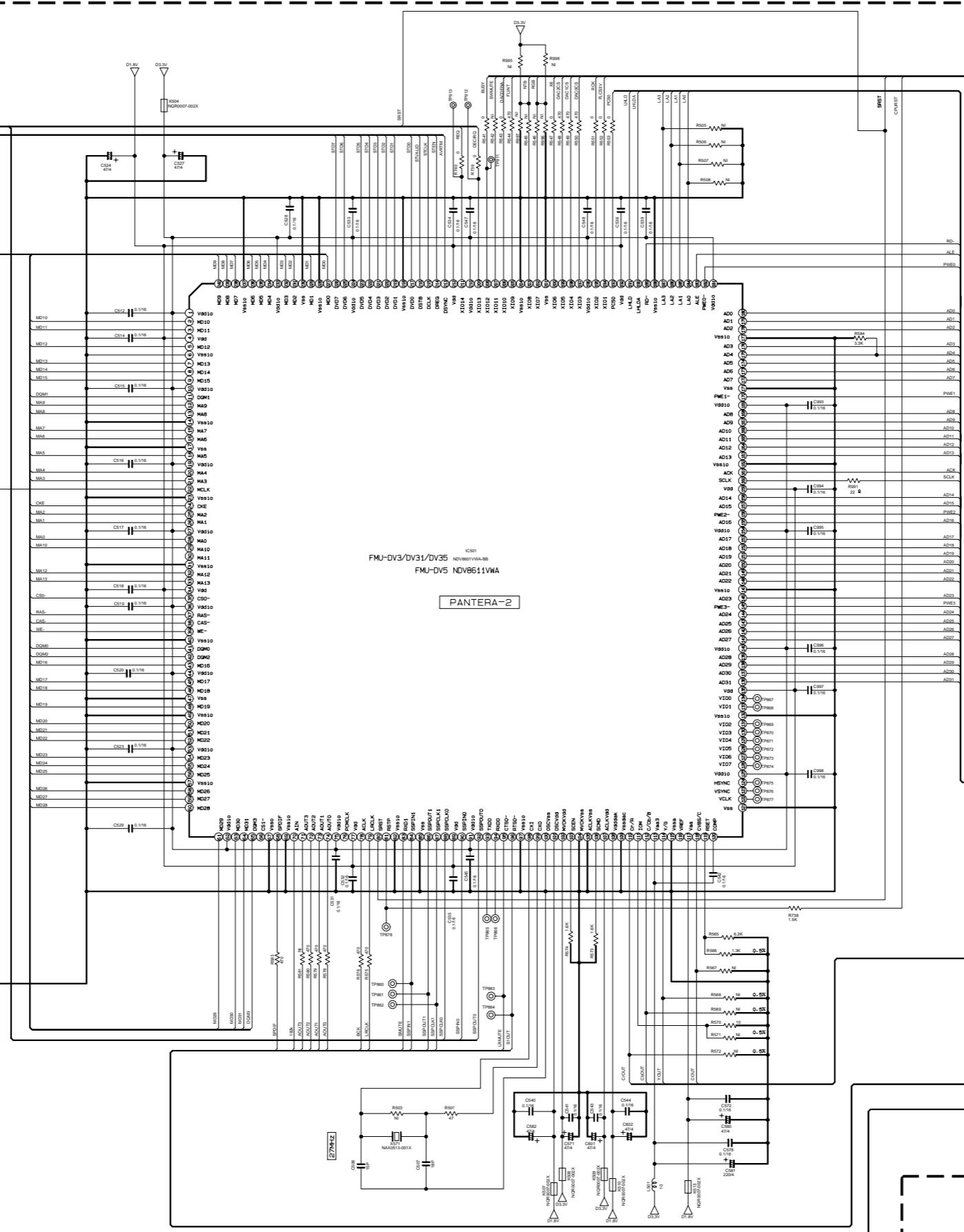


TORN  
TLDSE  
/LIMITE  
SMUTE  
SMUPN  
MCHA\_VV  
DISC1FV  
DISC2FV

TO LVS10247 (SHEET 1/4)

TO LVS10247 (SHEET 3/4)

FLCSV  
R0K  
DAC0CS  
DAC1CS  
DAC2CS  
R0  
R0B  
NTB  
DAC0ENA  
CRFBST  
SRST  
FLDST  
BUSY  
SMUTE



PC50  
LH4  
LH4A  
LH4-LA3  
ALE  
RD-  
ACK  
SOLK  
PME0-PME3  
ADD-ADD1

TO LVS10247 (SHEET 3/4)

COOUT  
DOOUT  
VOUT  
COUP

TO LVS10247 (SHEET 3/4)

SR0K  
SMUTE  
S1OUT  
S1OUT  
SPOLK1  
SPOLK1  
SP1N1  
SP1Q1  
LIMLK  
R0K  
ADD0-ADD19  
SP0F

TO LVS10247 (SHEET 3/4)

DISC1FV  
DISC2FV  
MCHA\_VV  
TORN  
TLDSE  
/LIMITE  
SMUTE  
SMUPN

TO LVS10247 (SHEET 3/4)

■ DVD servo section 3/4

## Servo PCB (3/4)

