

SPEAKER SELECTOR

RSS-900

TECHNICAL MANUAL

TABLE OF CONTENTS

Chassis Layout.....	1
Wiring Diagram.....	2
Schematic Diagram.....	3
Printed Circuit Board.....	4
PC Board Ass'y Parts List.....	5

THE ROTEL CO., LTD.

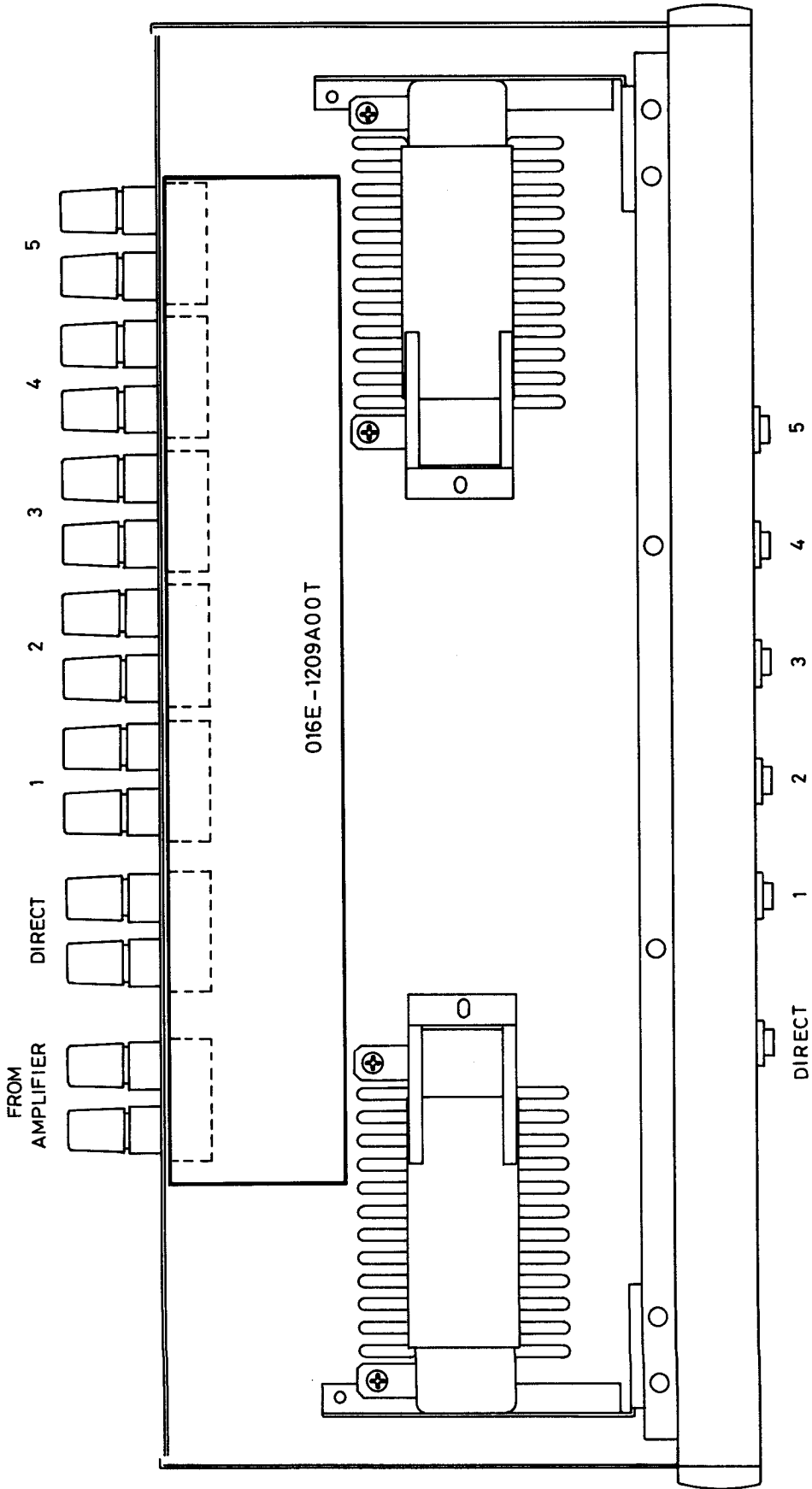
1-36-8, OHOKAYAMA, MEGURO-KU, TOKYO 152, JAPAN

ROTEL ELECTRONICS CO., LTD.

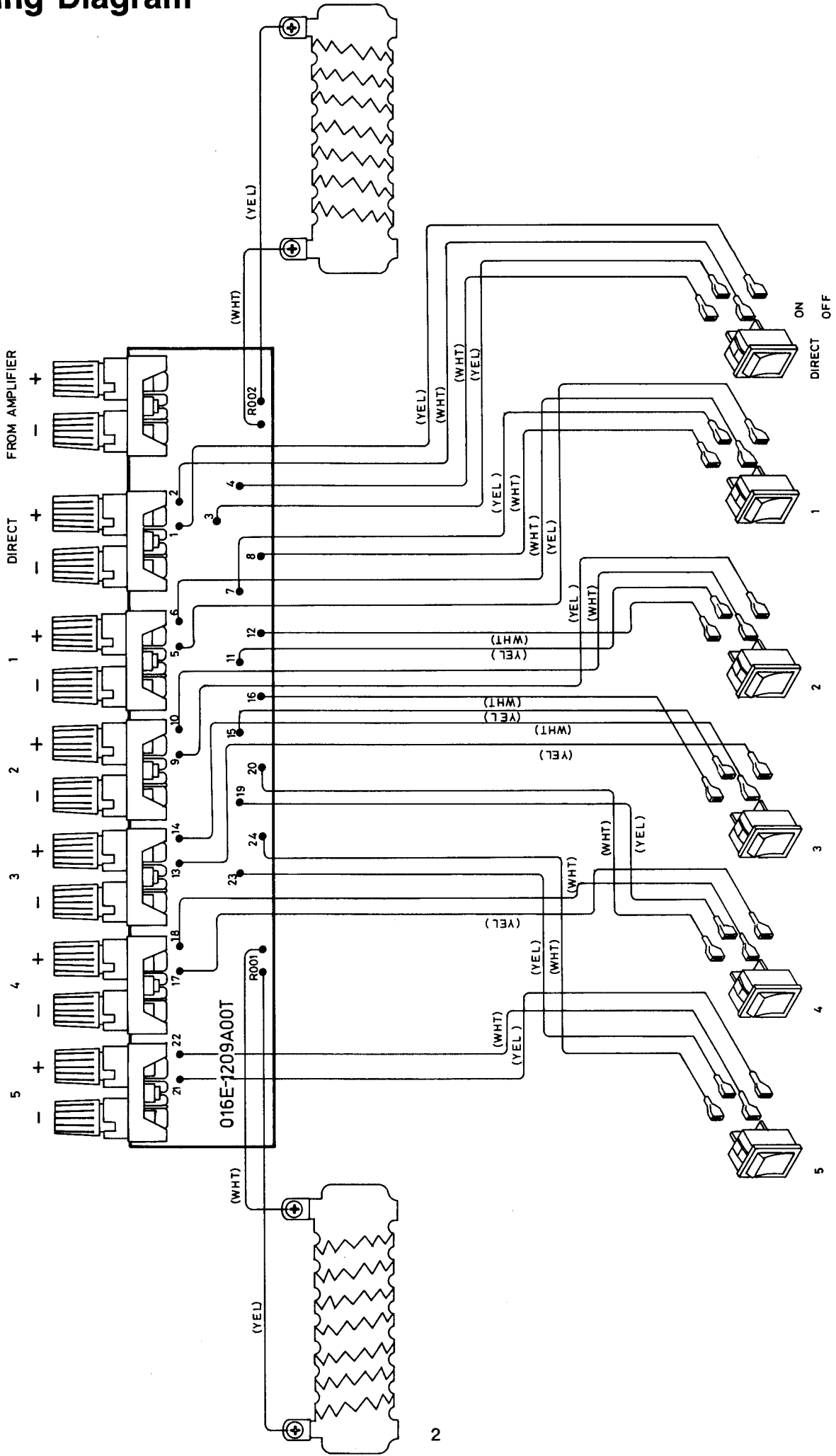
3F-2, NO.35, FU HSING NORTH ROAD, TAIPEI, TAIWAN, REPUBLIC OF CHINA

MN20002140

Chassis Layout

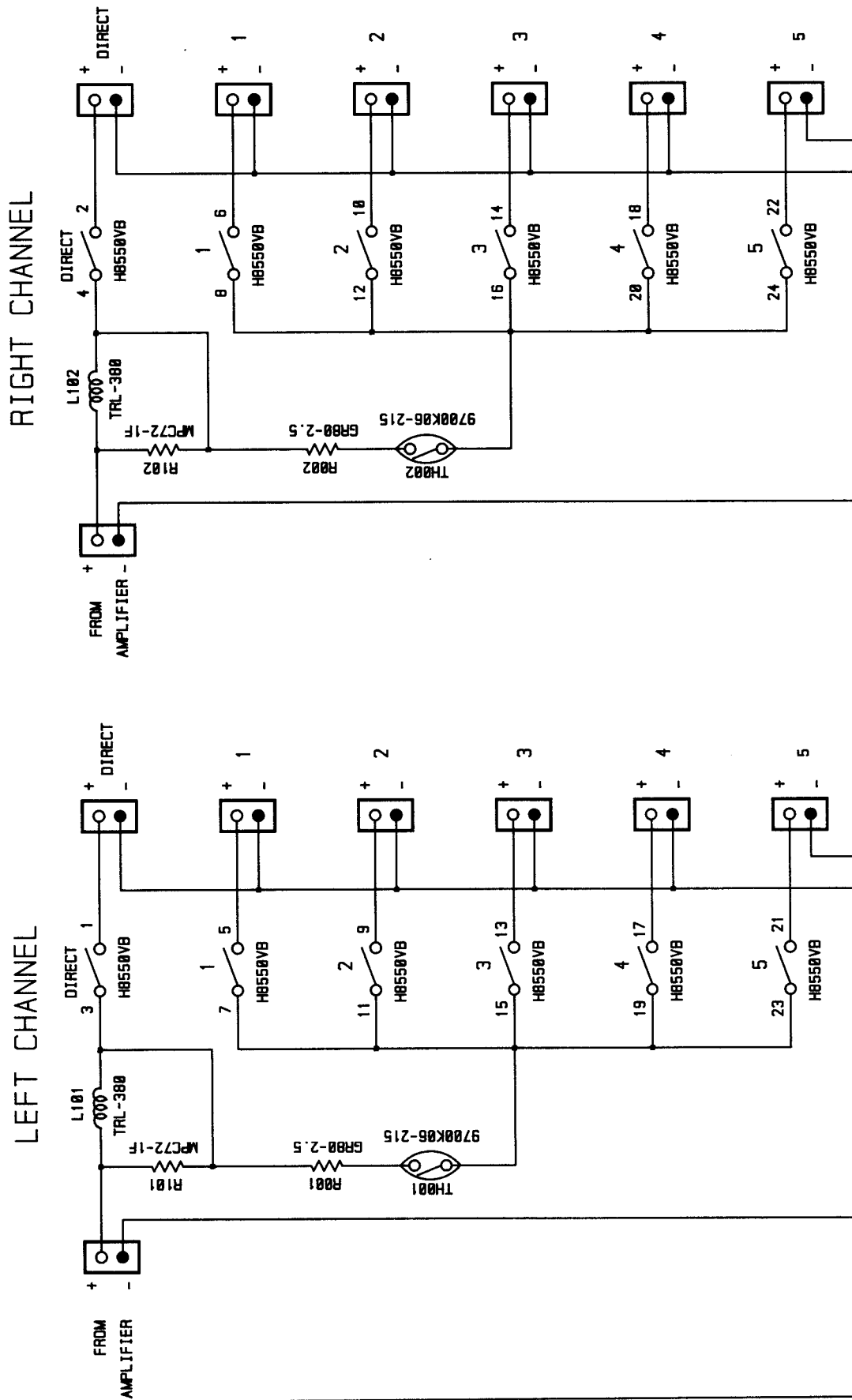


Wiring Diagram

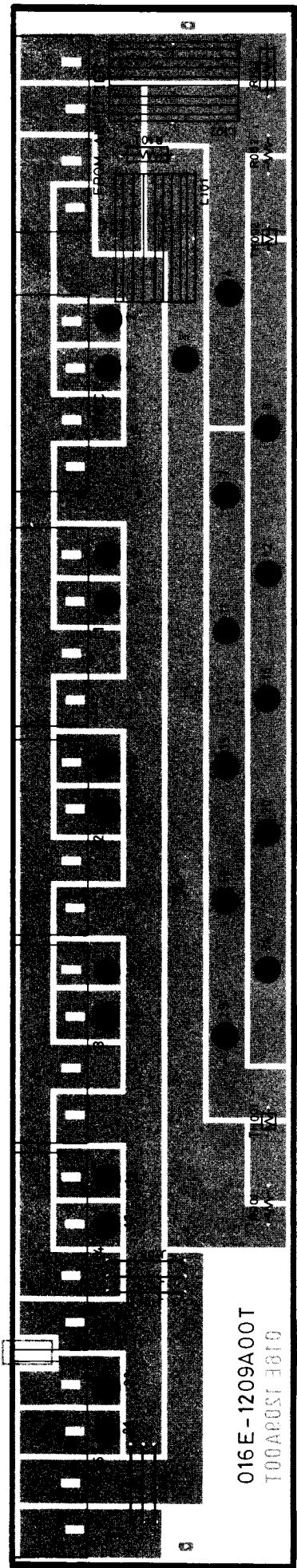


Schematic Diagram

SCHEMATIC DIAGRAM MODEL NO RSS-900



Printed Circuit Boards



Parts List

SYMBOL	PARTS NO.	DESCRIPTION
	E-1209A00T	PCB ASSEMBLY
	LC23800005	SPEAKER COIL TRL-380
	RS21008522	R, SQUARE TYPE MPC71-1F
	SH60000136	THERMO PROTECTOR 135C 9700K06-215
	TP20000493	4P SPEAKER TERMINAL 4TR-3033
OTHERS		
	AM00002130	CHASSIS BODY QN3-02A00T TRP-632
	RW22508748	R, HOLLOW GR80-2.5
	SB00001046	P.V.C SHIELD PLATE 4TR-3028
	SP00006818	PANEL SUPPORT (L) QN4-04A00T
	SP10006820	PANEL SUPPORT (R) QN4-05A00T
	SP10006880	R, SUPPORT QN-06A00T
	FT00000230	FOOT (PU) 4TR-2823#1 24Fx14H
	AA60000098	FRONT PANEL QN3-01A00T TFP-698
	OM10001260	ORNAMENTAL SIDE BOARD 4TR-2797#1
	SH40000222	ROCKER SWITCH H8550VB
	AU00001377	TOP COVER POLY QN3-03A01T
	SR00000882	UPPER COVER SPACER 4TR-2418
	PL00001270	STYROL SIDE MOULDING 3TR-3034 TZ-192
	MN10003177	OWNER'S MANUAL RSS-900