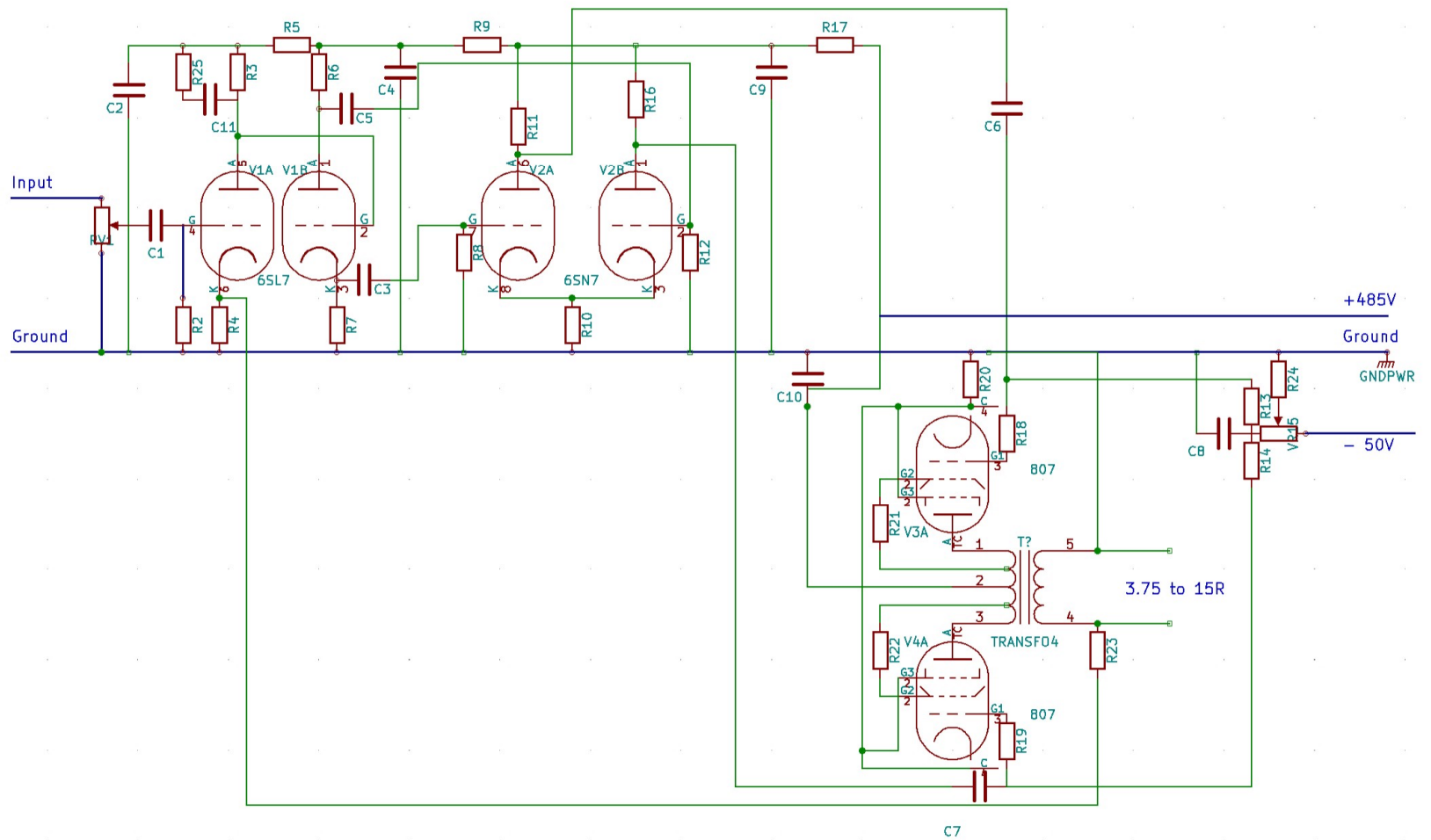


RV1 50k Log
 R2 470k
 R3 47k
 R4 470R
 R5 22k
 R6 22k
 R7 22k
 R8 470k
 R9 12k
 R10 47k
 R11 47k
 R12 470k
 R13 100k
 R14 100k
 VR15 50k
 R16 47k
 R17 4k7
 R18 1k2
 R19 1k2
 R20 1R0 1W
 R21 1k0
 R22 1k0
 R23 4k7
 R24 39k
 R25 4k7

C1 220n
 C2 47u 350V
 C3 100n
 C4 47u 350V
 C5 100n
 C6 220n
 C7 220n
 C8 330u 63V
 C9 16u 500V
 C10 32u 500V
 C11 200p 630V

V1 6SL7
 V2 6SN7
 V3 & V4 807 matched pair



Copyright JanSnell 2016
 Last Capacitor C11 Last Resistor R25

807 output valves with 6SN7 driver and 6SL7 pre drive.

JonSnell Electronic

Sheet: /

File: Snell_807 ver 3.sch

Title: Snell 807

Size: A4

Date: 12/03/2016

Rev: 3

KiCad E.D.A. eeschema (5.1.10-1-10_14)

Id: 1/1