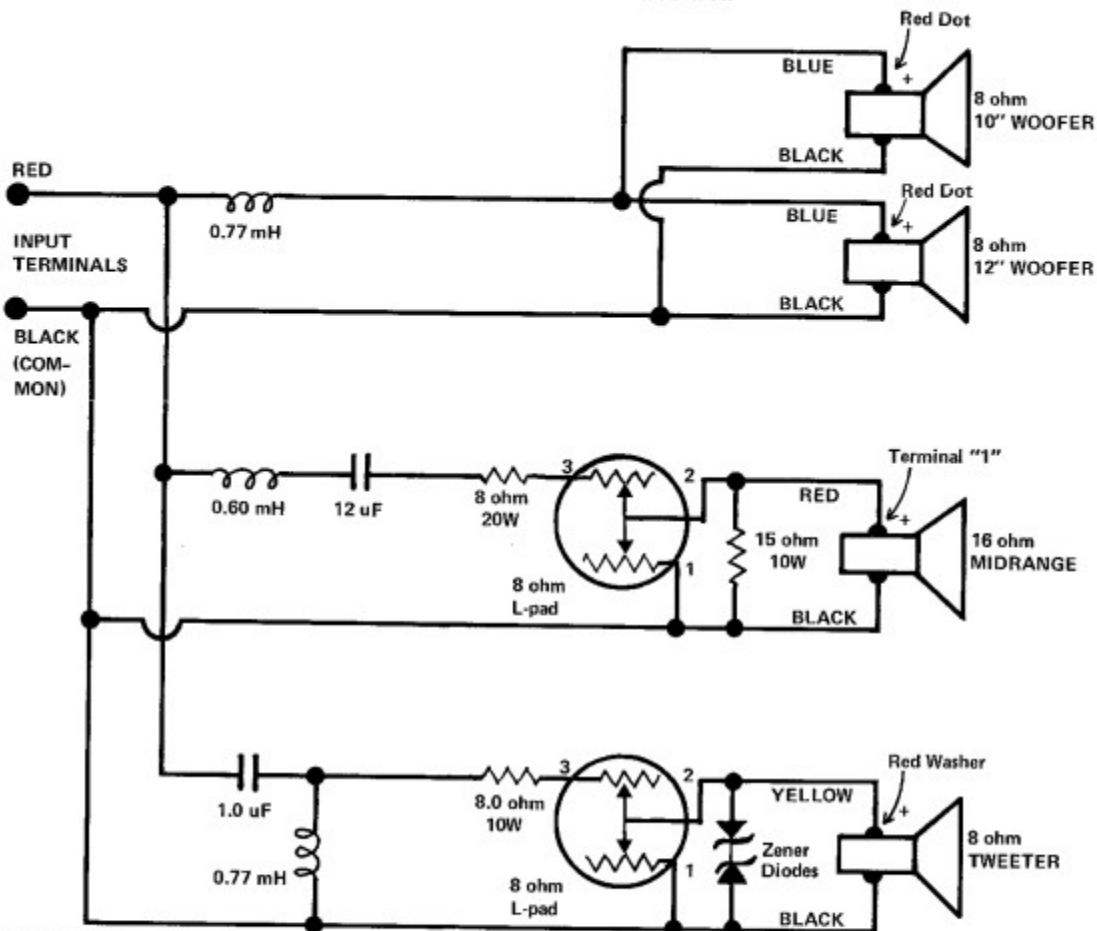


## SPEAKERLAB 7 WIRING DIAGRAM



**POLARITY:** The positive (+) terminal on each speaker is identified by a red dot, a red washer, or the marking "1" or "T1". The black wires which go to the common terminals of the speakers are all identical electrically.

## SPEAKERLAB 7 SPECIFICATIONS

Impedance . . . . .	4 ohms
Crossover frequencies . . . . .	700 and 5000 Hz
Maximum guaranteed safe amplifier power . . . . .	150 watts RMS per channel
Minimum recommended amplifier power . . . . .	15-25 watts RMS per channel
Dimensions . . . . .	29" x 18" x 15-1/8"
Weight . . . . .	85 lbs.
Woofers . . . . .	Speakerlab W1208R & W1008R
Midrange . . . . .	Speakerlab HM700B
Tweeter . . . . .	Speakerlab HT3500
Crossover . . . . .	Speakerlab X7