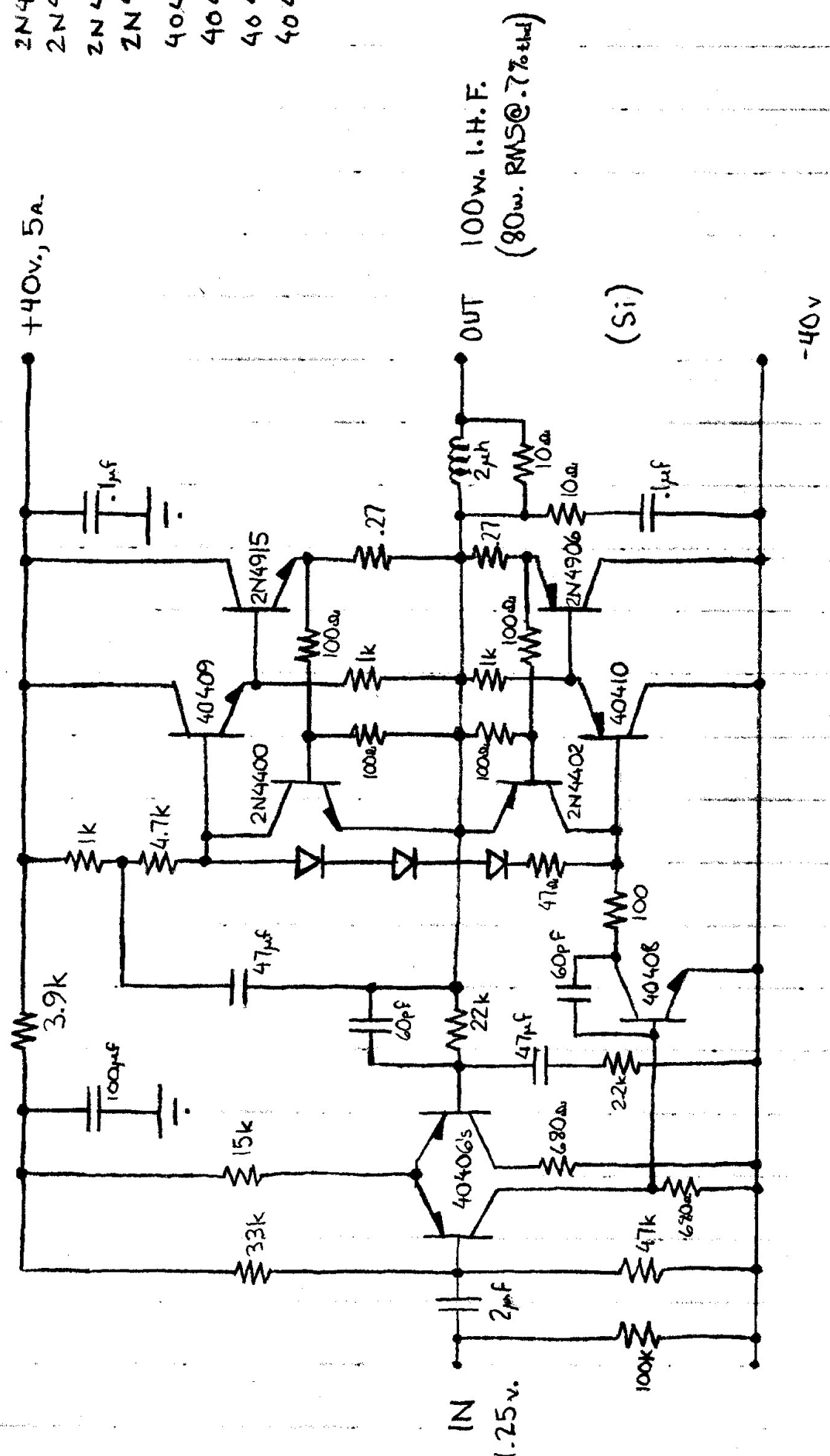


- ECG
- 2N4906 - 281
 - 2N4915 - 280
 - 2N4402 - 159
 - 2N4400 - 123AP
 - 40410 - 129
 - 40409 - 128
 - 40408 - 128
 - 40406 - 129



+40V, 5A

IN
1.25 v.

100w. 1.H.F.
(80w. RMSE@.7%thd)

(Si)

-40v

OUT