

Anderungen vorbehalten!  
 SUBJECT TO ALTERATIONS!  
 200 Stereo 11/22062 a

ZF/F: AM 460kHz FM 6,75MHz  
 Gleichspannungsmessung mit Voltmeter Ra 20kR/V  
 D.C. VOLTAGE TEST WITH VOLTMETER Ra 20kR/V

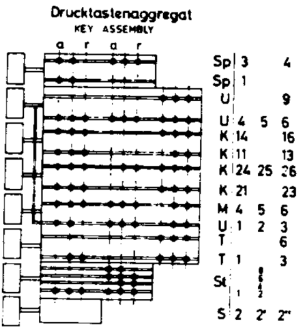
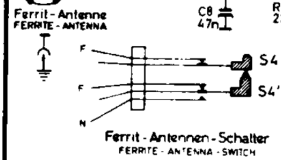
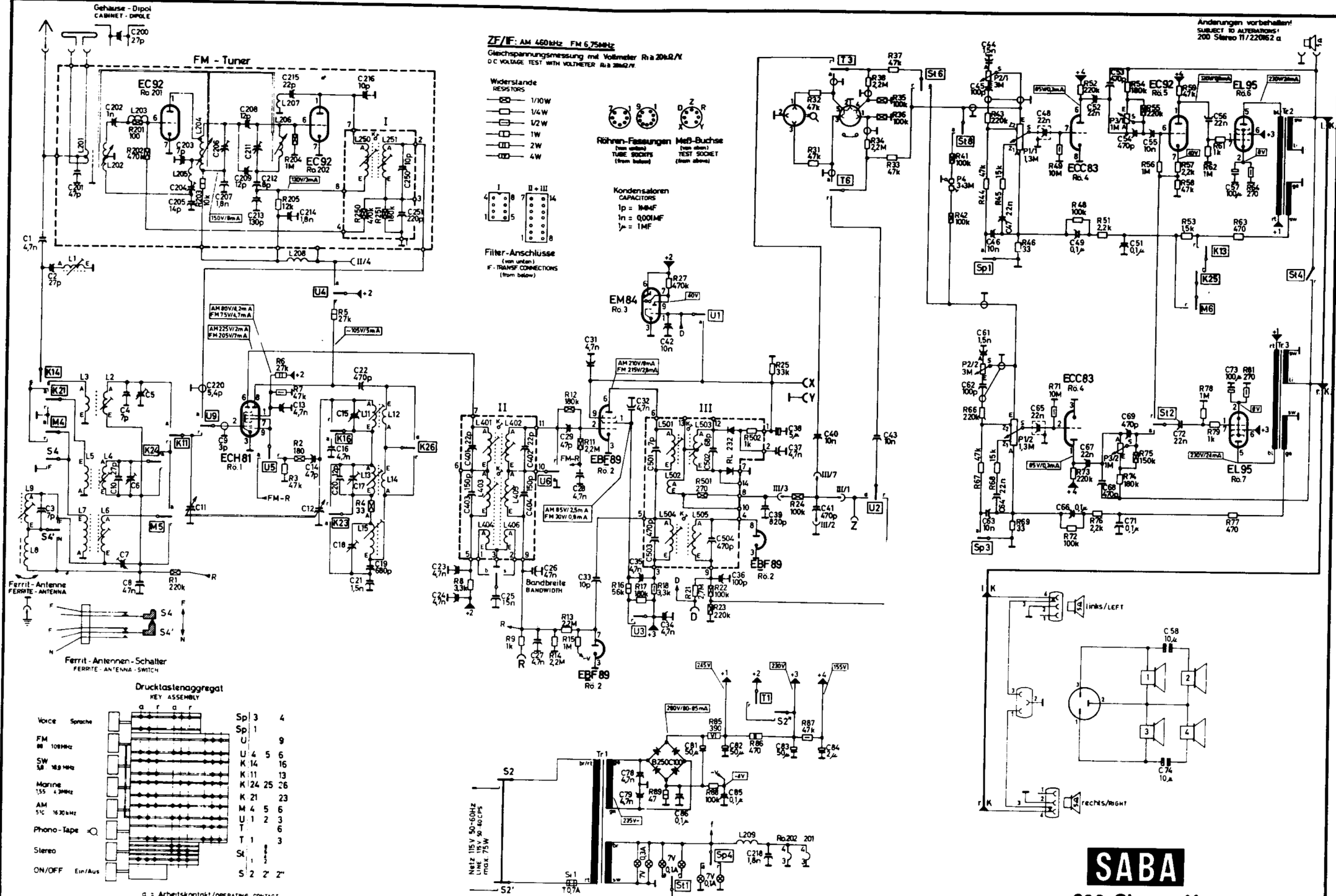
Widerstände  
 RESISTORS  
 1/10W  
 1/4W  
 1W  
 2W  
 4W

Röhren-Fassungen  
 TUBE SOCKETS  
 (from below)

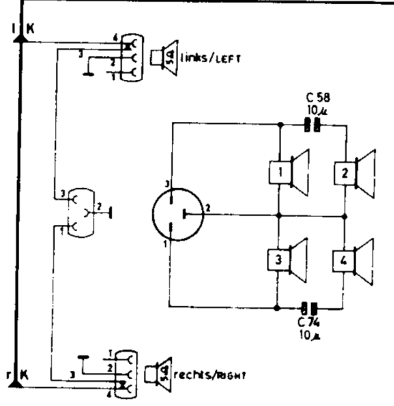
Meß-Buchse  
 TEST SOCKET  
 (from above)

Kondensatoren  
 CAPACITORS  
 1p = 1000PF  
 1n = 0001MF  
 μ = 1MF

Filter-Anschlüsse  
 F-TRANSF CONNECTIONS  
 (from below)



o = Arbeitskontakt/OPERATING CONTACT  
 r = Ruhekontakt/RESTING CONTACT



**SABA**

200 Stereo 11