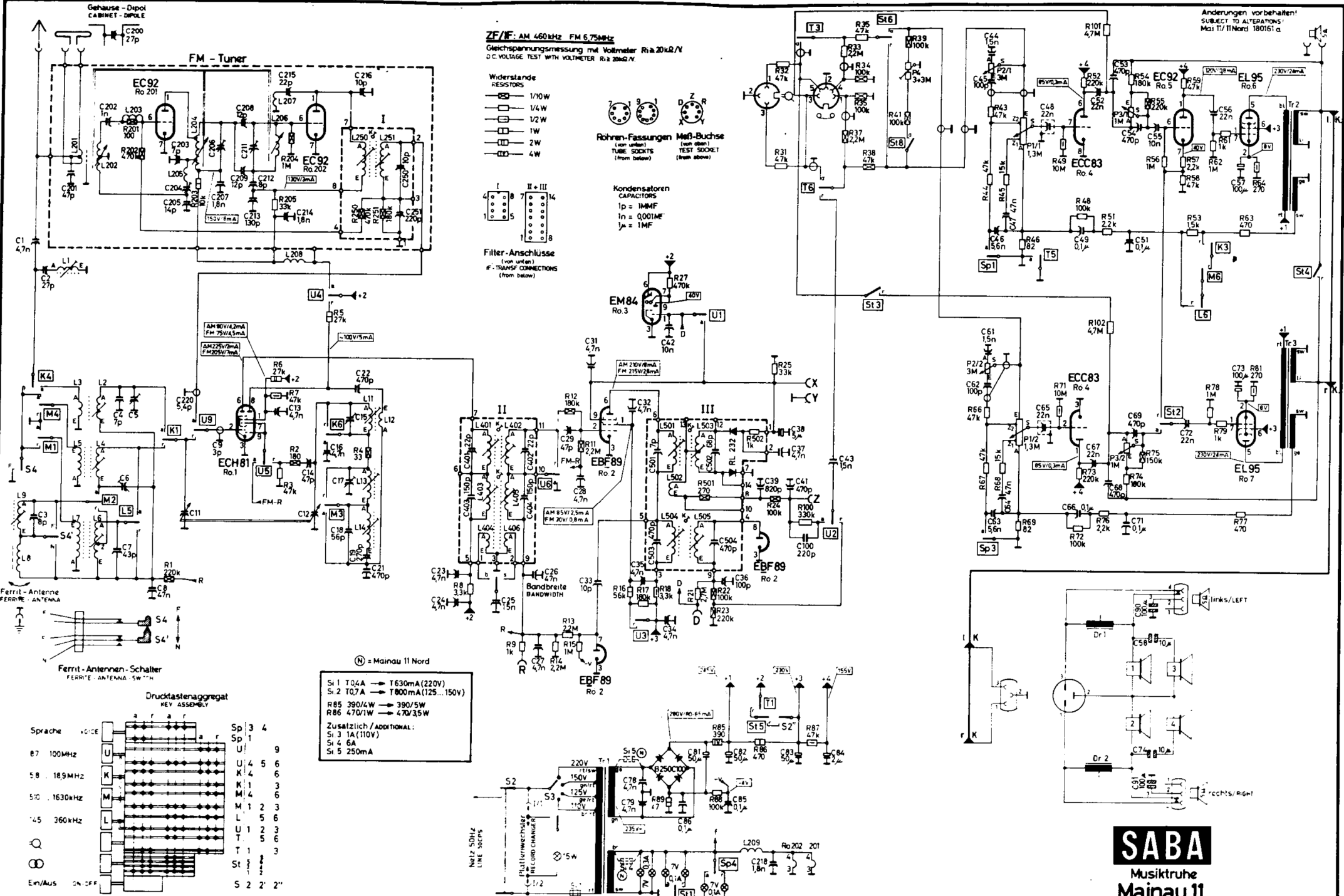
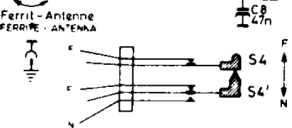
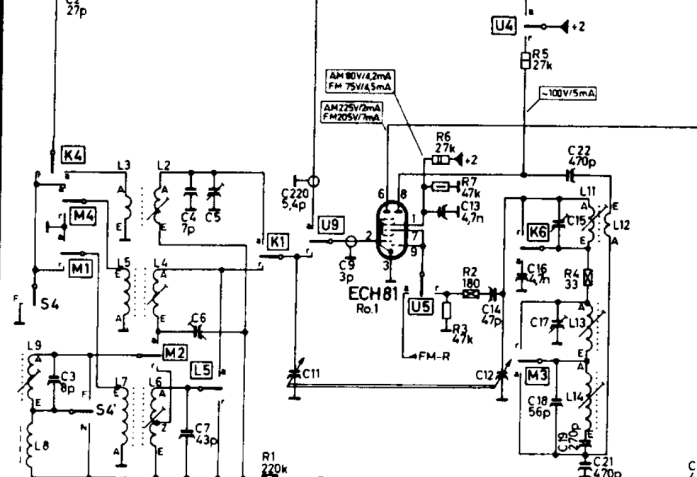
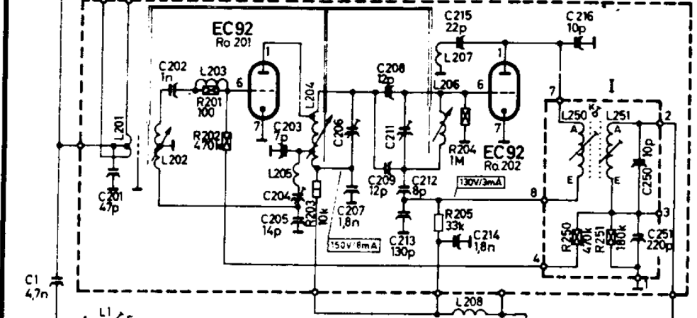


Anderungen vorbehalten!
SUBJECT TO ALTERATIONS!
Mai 11/Nord 180161 d



Gehäuse - Dipol
CABINET - DIPOLE

FM - Tuner



Ferrit - Antennen - Schalter
FERRITE - ANTENNA - SW-TCH

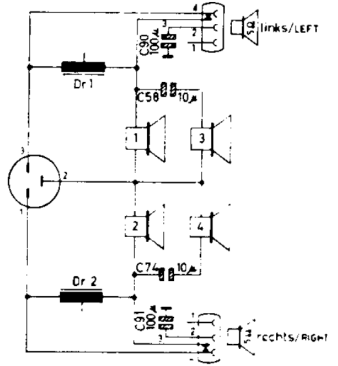
Druckkastenaggregat KEY ASSEMBLY

Sprache VOICE	Sp 3 4
87 100MHz	U 1 9
5.8 18.9MHz	K 4 6
5.0 16.30kHz	M 4 6
4.5 360kHz	M 1 2 3
	L 1 5 6
	U 1 2 3 6
	T 1 3 6
	St 1 2 3
EM/AUS ON/OFF	S 2 2' 2''

Ⓝ = Mainau 11 Nord

St 1 T0,4A	→ T630mA (220V)
St 2 T0,7A	→ T800mA (125...150V)
R85 390/4W	→ 390/5W
R86 470/1W	→ 470/3.5W

Zusätzlich / ADDITIONAL:
 St 3 1A (110V)
 St 4 6A
 St 5 250mA



SABA
Musiktruhe
Mainau 11
Mainau 11 Nord
-Stereo-