

Bauteilestückliste des SAC epsilon

Haftungsausschluß :

*Die Verwendung dieses Dokumentes geschieht auf eigene Gefahr.
Dieses Dokument kann mit Irrtümern und Fehlern behaftet sein.
Für Schäden an Geräten, die durch evtl. Fehler in diesem Dokument
auftreten, kann die SAC GmbH nicht haftbar gemacht werden.*

MAINBOARD

ITEMS	DESCRIPTION	REMARK
RESISTORS		
R 1	1K	0,6W Metalfilm 1%
R 2	1,8R	"
R 3	1,8R	"
R 4	1,8R	"
R 5	1,8R	"
R 6	1K	"
R 7	2,2K	"
R 8	2,2K	"
R 9	110R	"
R 10	110R	"
R 11	2,2K	"
R 12	2,2K	"
R 13	330R	5W Ceramic 10%
R 100,150*	22K	0,6W Metalfilm 1%
R 101,151*	51R	"
R 102,152*	100R	"
R 103,153*	47R	"
R 104,154*	150R	"
R 105,155*	150R	"
R 106,156*	910R	"
R 107,157*	120R	"
R 108,158*	2,2K	"
R 109,159*	510R	"
R 110,160*	220R	"
R 111,161*	270R	"
R 112,162*	270R	"
R 113,163*	1,5K	"
R 114,164*	1,5K	"
R 115,165*	1,1K	"
R 116,166*	1,1K	"
R 117,167*	100R	"
R 118,168*	100R	"
R 119,169*	100R	"
R 120,170*	100R	"
R 121,171*	100R	"
R 122,172*	100R	"
R 123,173*	1K	"
R 124,174*	1K	"
R 125,175*	1,5K	"
R 126,176*	100R	"
R 127,177*	220R	"
R 128,178*	51R	"
R 129,179*	22K	"
R 130,180*	470K	"
R 131,181*	470K	"
R 132,182*	100R	"
R 133,183*	100R	"
R 134,184*	47K	"
R 200,250*	22K	"
R 201,251*	51R	"
R 202,252*	100R	"
R 203,253*	47R	"

NOTE: The components identified by mark * are parts of the right channel.

MAINBOARD

ITEMS	DESCRIPTION	REMARK
RESISTORS		
R 300,350*	22K	0,6W Metalfilm 1%
R 301,351*	51R	"
R 302,352*	100R	"
R 303,353*	47R	"
R 400,450*	22K	"
R 401,451*	51R	"
R 402,452*	100R	"
R 403,453*	47R	"
R 500,550*	22K	"
R 501,551*	51R	"
R 502,552*	100R	"
R 503,553*	47R	"
R 600,651*	22K	"
R 601,652*	51R	"
R 602,652*	100R	"
R 603,653*	47R	"
R 900,950*	47R	"
R 901,951*	47R	"
R 902,952*	47R	"
R 903,953*	47R	"

CAPACITORS

C 1	3300uF/40V	Elect
C 2	3300uF/40V	"
C 3	3300uF/40V	"
C 4	3300uF/40V	"
C 5	4,7uF/63V	"
C 6	47uF/35V	"
C 7	47uF/35V	"
C 8	4,7uF/63V	"
C 9	47uF/35V	"
C 10	47uF/35V	"
C 11	100uF/63V	"
C 100,200*	100pF	Film 5%
C 101,201*	10nF	Ceramic
C 102,202*	10nF	Ceramic
C 103,203*	220pF	Film 5%
C 104,204*	47pF	Film 2,5%
C 105,205*	47uF/25V	Elect
C 106,206*	47uF/25V	Elect
C 107,207*	100pF	Film 5%
C 108,208*	0.68uF	Film 5%
C 109,209*	0.68uF	Film 5%
C 110,210*	10nF	Ceramic
C 111,211*	10nF	Ceramic
C 112,212*	10nF	Ceramic

NOTE: The components identified by mark * are parts of the right channel.

MAINBOARD

ITEMS	DESCRIPTION	REMARK
CAPACITORS		
C 113,213*	3300uF/35V	Elect
C 114,214*	3300uF/35V	Elect
C 115,215*	3300uF/35V	Elect
C 116,216*	3300uF/35V	Elect
C 117,217*	10nF	Ceramic
C 118,218*	47pF	Film 2,5%

DIODE

D 1	1N 4003
D 2	"
D 3	"
D 4	"
D 5	"
D 6	"
D 7	1N 4148
D 8	1N 4148
D 9	LED 3mm
D 10	1N 4003

IC

IC 1	LM 317T
IC 2	LM 337T
IC 3	LM 7915
IC 4	LM 7815
IC 100,150*	LM 7818
IC 101,151*	LM 7918
IC 102,152*	AD 797AN
IC 103,153*	AD 797AN
IC 104,154*	AD 711AN
IC 203*	AD 797AN
IC 303*	"
IC 403*	"
IC 503*	"
IC 603*	"

NOTE: The Components identified by mark * are parts of the right channel.

MAINBOARD

ITEMS	DESCRIPTION	REMARK
TRANSISTOR		
T 100	BC 550C	
T 101	550C	
T 102	550C	
T 103	BD 140-16	
T 104	140-16	
T 105	140-16	
T 106	BC 560C	
T 107	560C	
T 108	560C	
T 109	BD 139-16	
T 110	139-16	
T 111	139-16	
VARIABLE RESISTOR		
VR 1	250R Cermet Adjust	
VR 2	250R Cermet Adjust	
VR 3	2x10K Cermet Variable	VOLUME
RELAY		
RY 1	RY 12WK Takamisawa	
RY 2	RY 12WK "	
RY 3	40907 Eberle	
RY 4	40907 Eberle	
SWITCH		
RS 1	6 Position Rotary Switch	INPUT
RS 2	5 " " "	MONITOR
RS 3	3 " " "	MM/MC
S 1	Push Bottom Switch	MONO
S 2	" " "	MUTE
S 3	" " "	ON
OTHER PARTS		
GR 1	B80 C1500 Rectifier Bridge	
GR 2	B80 C1500 " "	
BATTERIES		
BAT 1	12V/1,2 Ah	
BAT 2	" "	
BAT 3	" "	
BAT 4	" "	

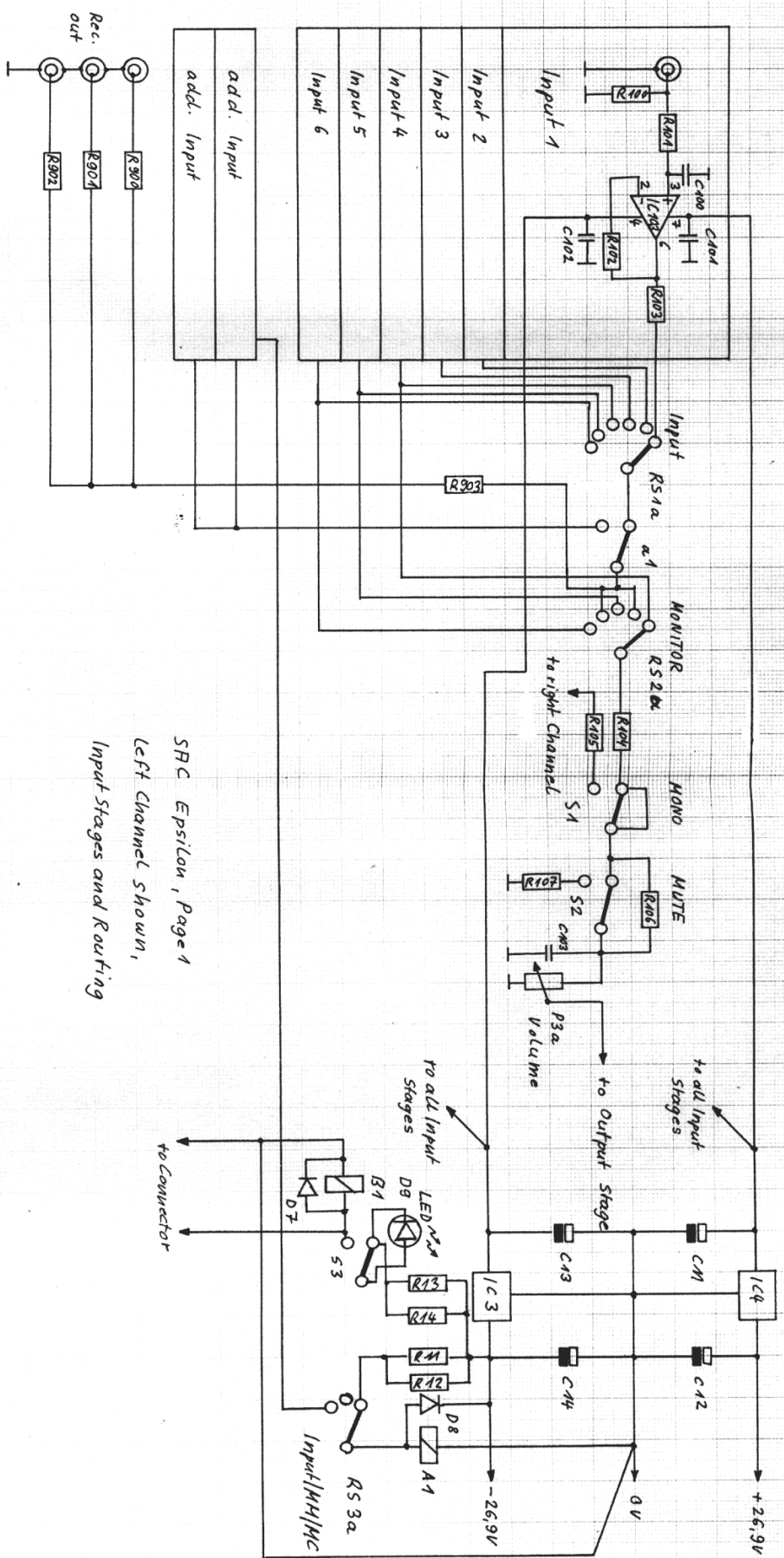
Parts List SAC Preamp "Epsilon"

Page

EXTERN POWER SUPPLY

ITEMS	DESCRIPTION	REMARK
TRANSFORMER		
TR 1	Transformer	Pri. 2x115V Sec. 2x 27V/42VA
F 1	! Fuse 315 mA/230V slow blown ! Fuse 630 mA/115V slow blown	Europe USA,Canadian

NOTE:The components identified by mark ! are critical for safety.
Replace only with part number specified.

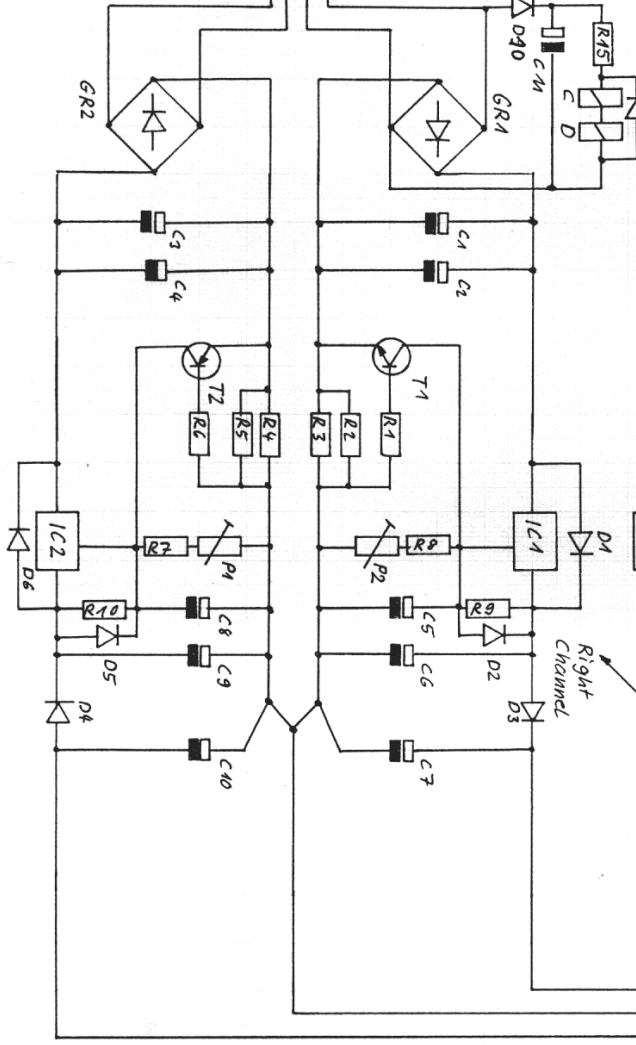
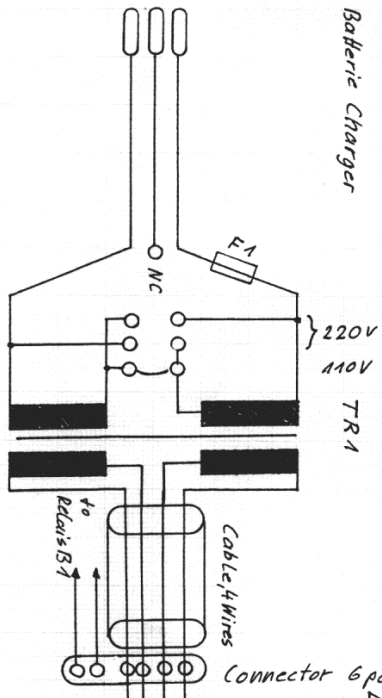
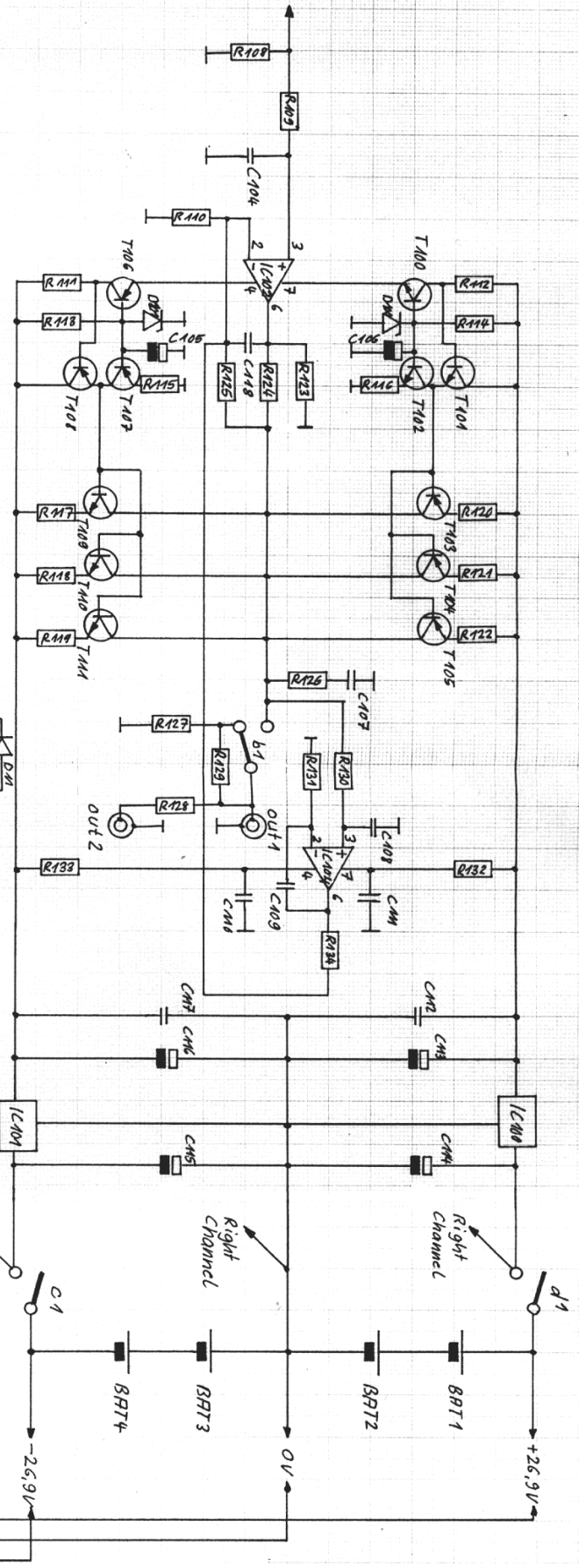


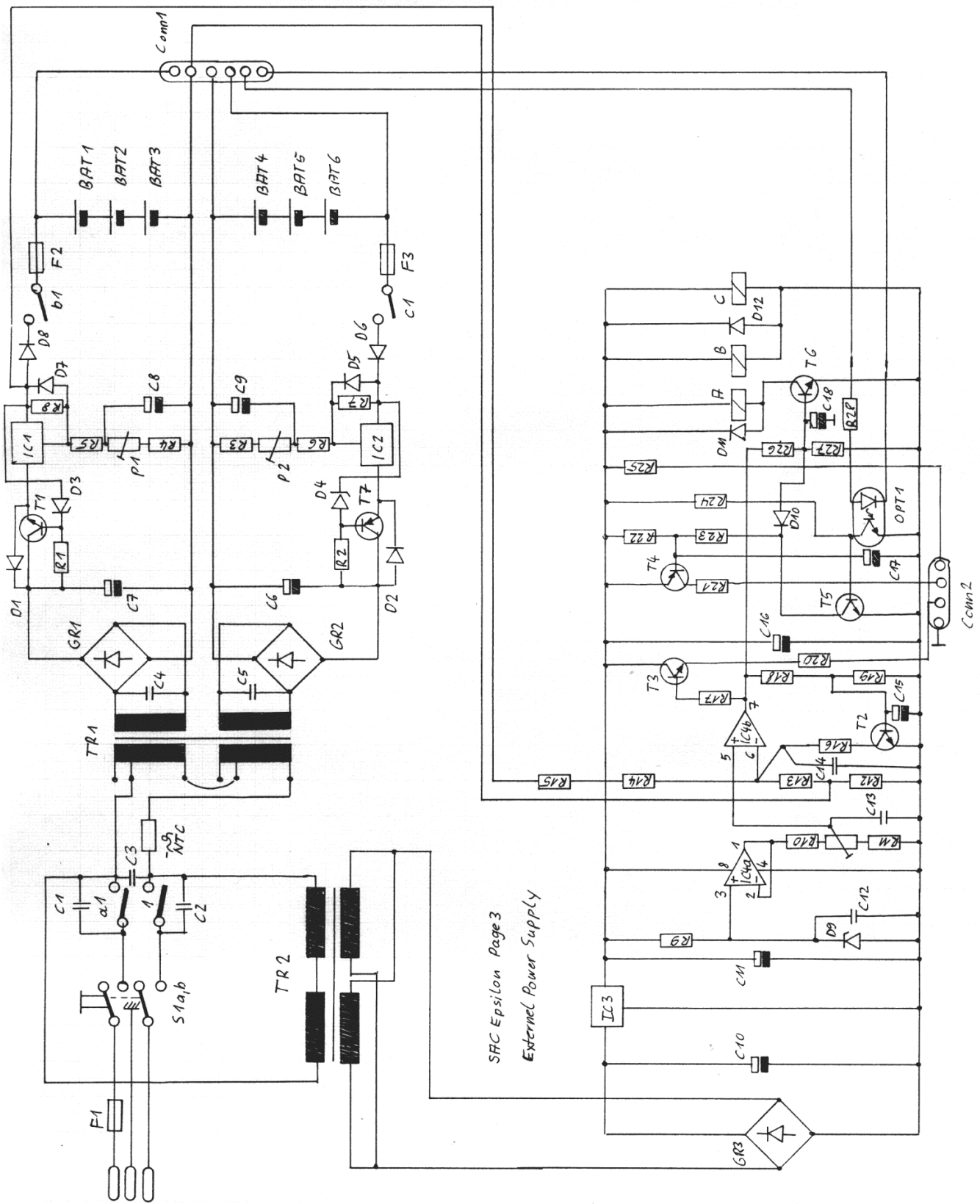
SFC Epsilon, Page 1
 Left Channel Shown,
 Input Stages and Routing

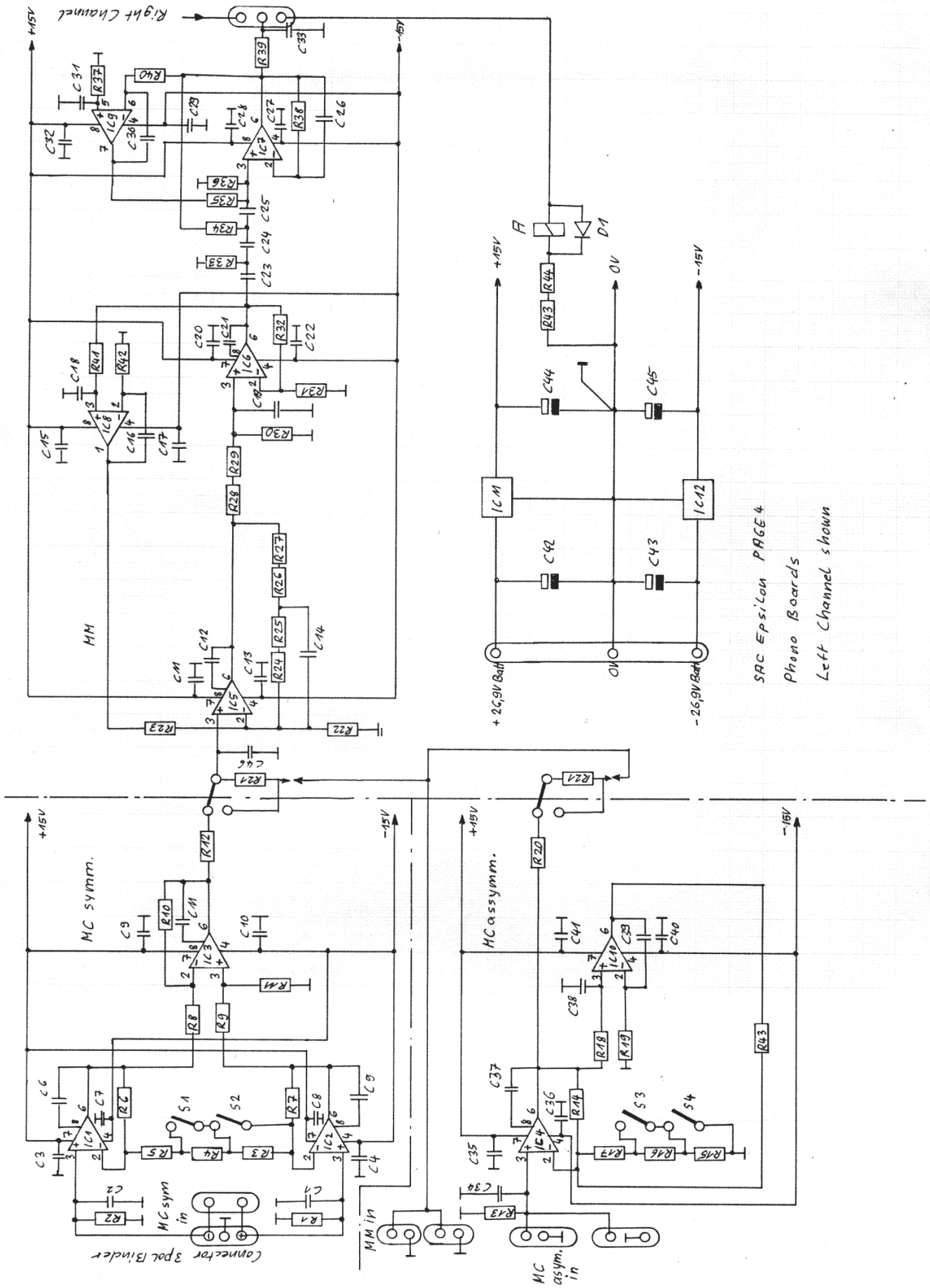
SFC Epsilon, Page 2

Output Stage and

Battery Charger







SAC Epsilon PAGE 4
 Phono Boards
 Left Channel shown