

# '01' SERIES

COMPUTER DIRECT-LINE™ PARAMETRIC EQUALIZER

**SAE**

Scientific Audio Electronics, Inc.

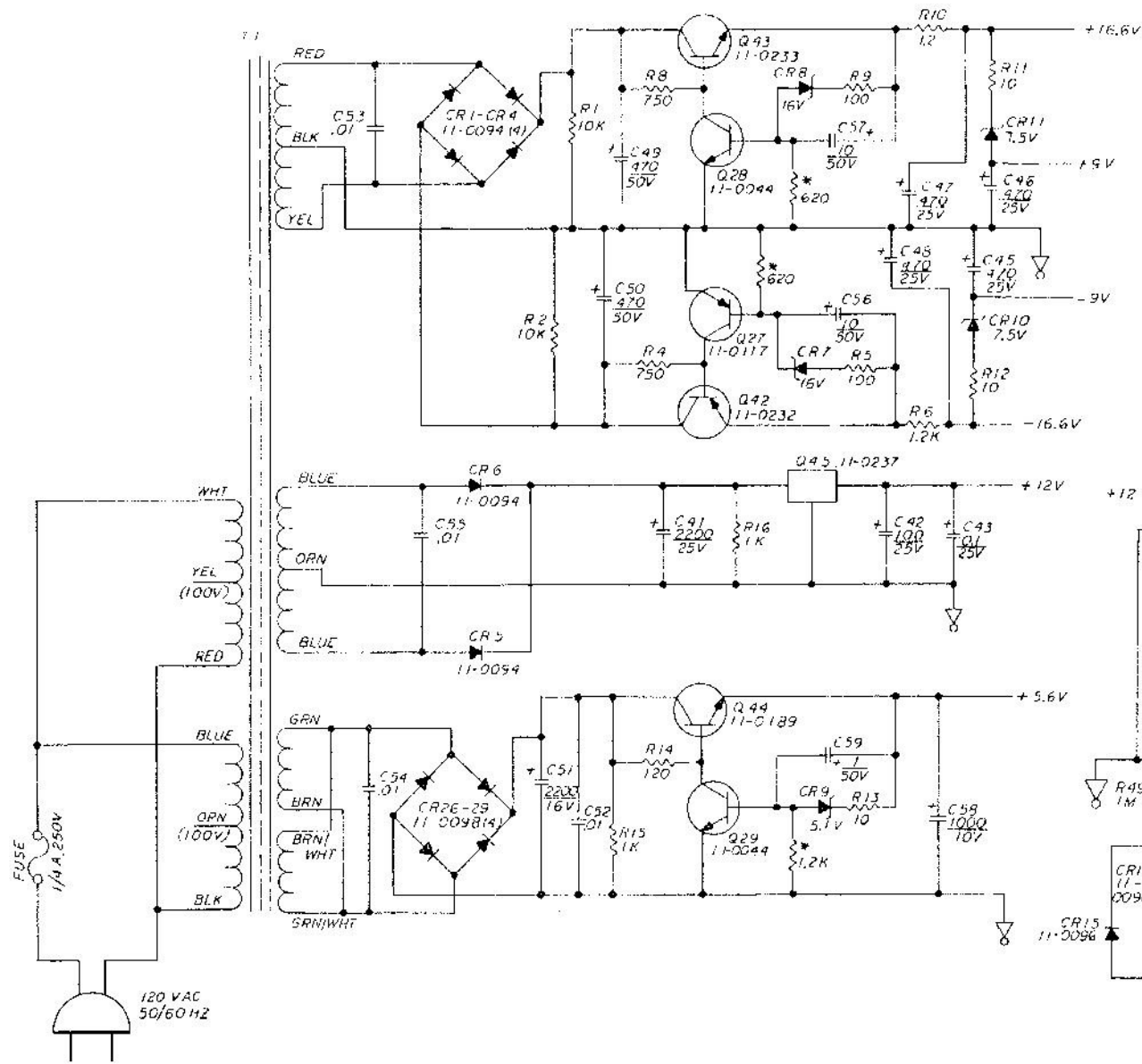
**SCHEMATIC DIAGRAMS**

D

C

B

A

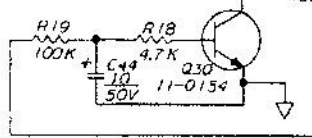
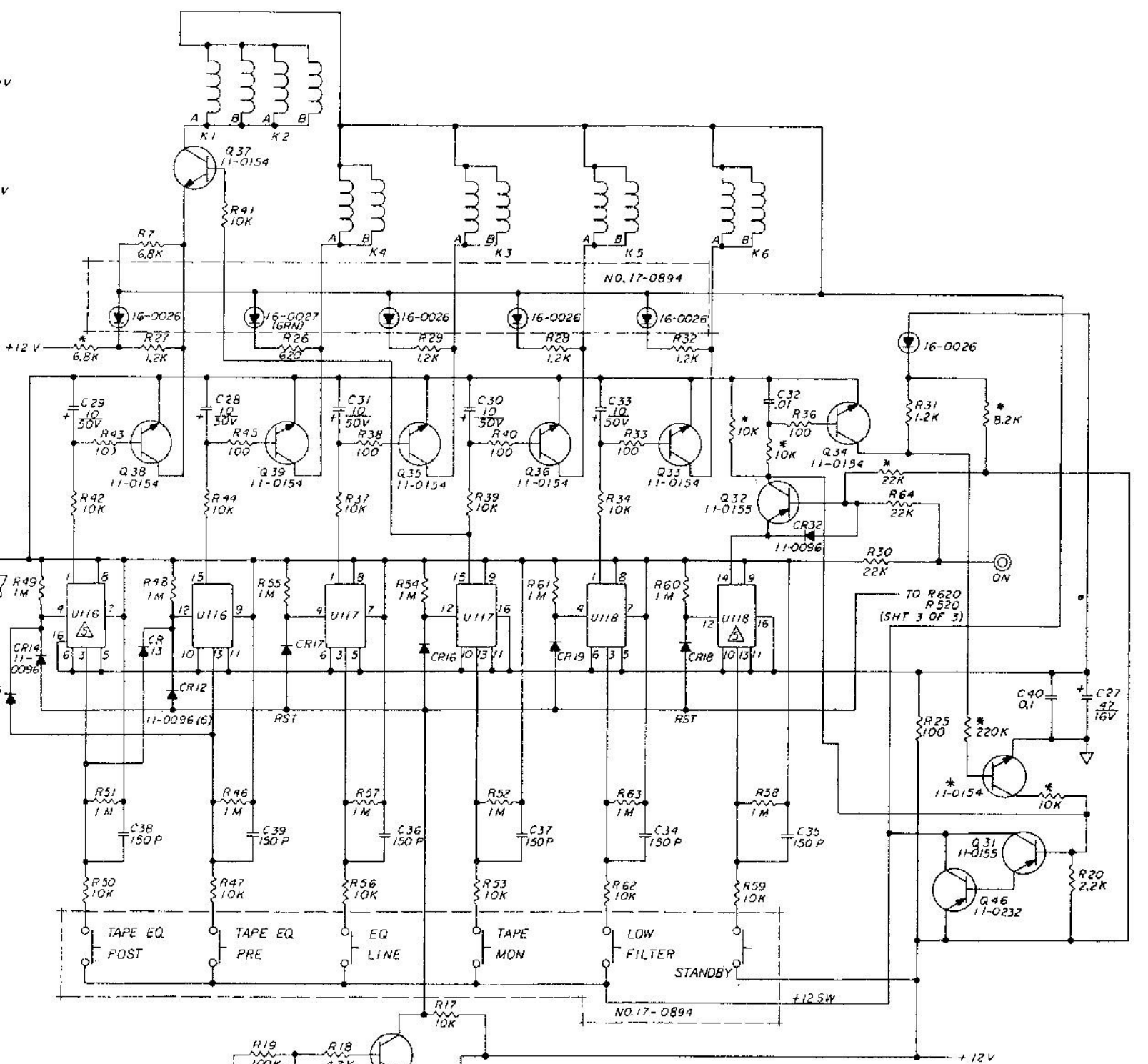


PCB NO. 17-0893  
 ASSY. NO. 22-0278

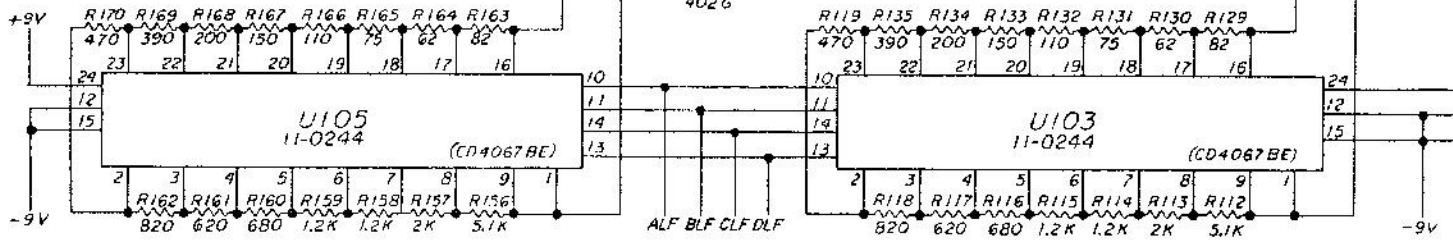
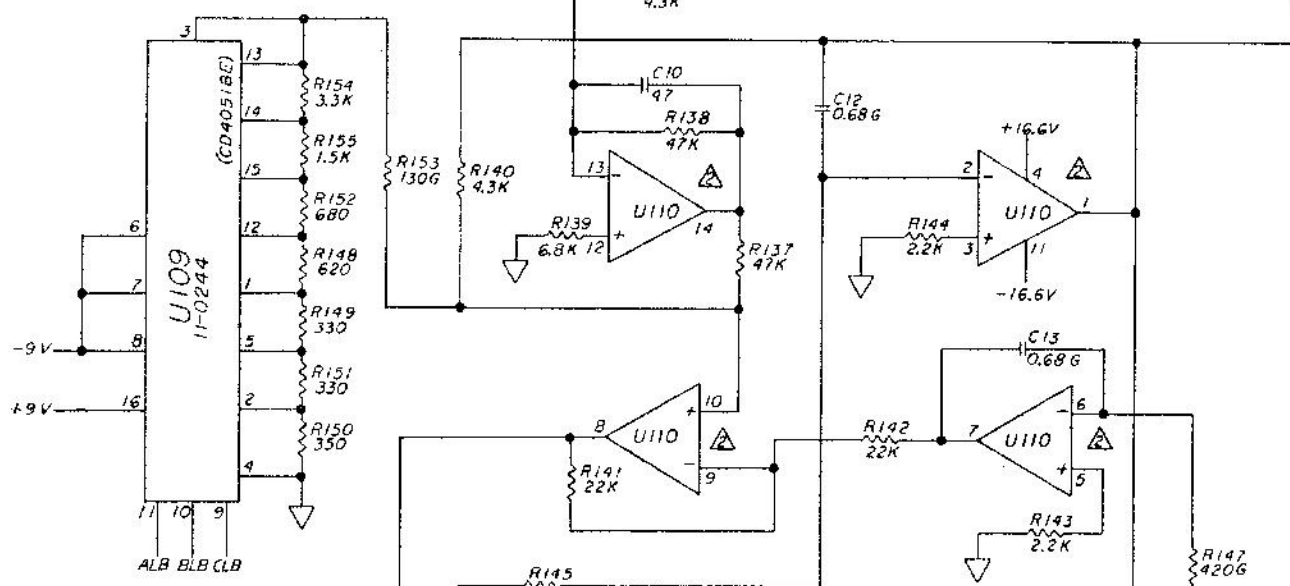
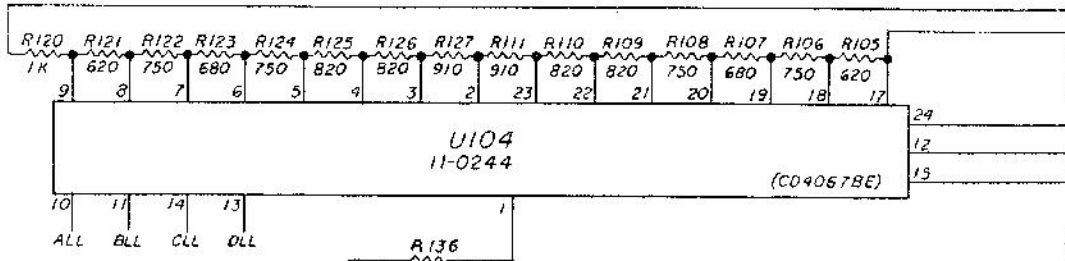
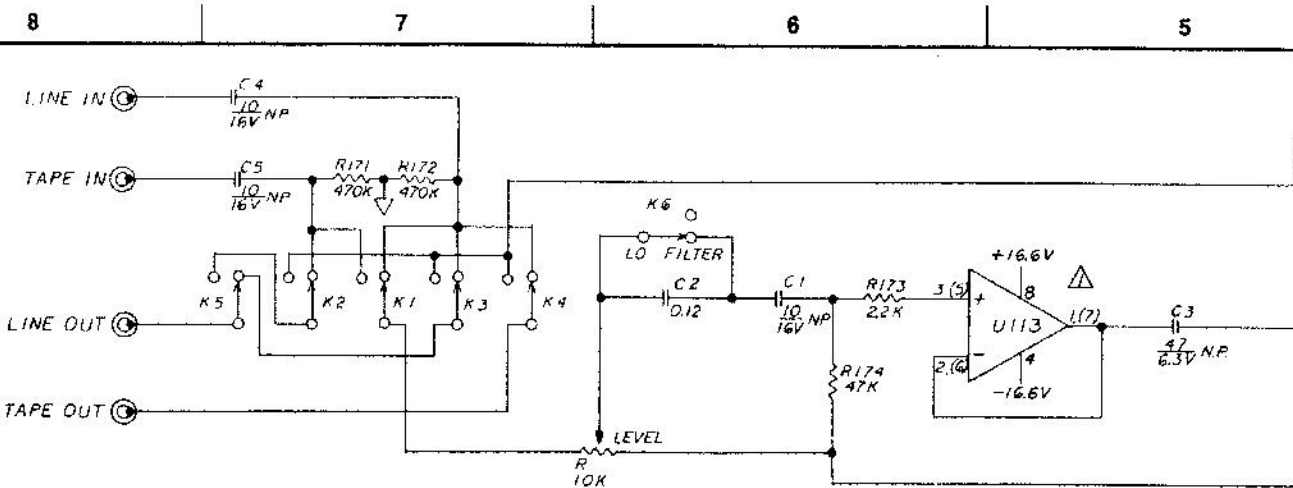
- 6. \* -PARTS ON FOIL SIDE OF PCB.
  - △ U116-U118 #11-0225 (CD4027B)
  - 4. RESISTOR, MICRO COMPUTER U101 USE 500 SERIES-LOW FREQ, U102 USE 600 SERIES-HIGH FREQ.
  - 3. RESISTOR, CH 'A' USE 100 SERIES-LOW FREQUENCY, 300 SERIES USES ON HIGH FREQUENCY;  
 CH 'B' USE 200 SERIES-LOW FREQUENCY, 400 SERIES USES ON HIGH FREQUENCY.
  - 2. CAPACITOR VALUE IN MICROFARADS.
  - 1. RESISTOR VALUE IN OHMS, 1/4W, 5%.
- NOTES, UNLESS OTHERWISE SPECIFIED.

DWG. NO.		SH	REV.	REVISIONS		DATE	APPROVED
ZONE	REV.	DESCRIPTION		DATE	APPROVED		

16.6V



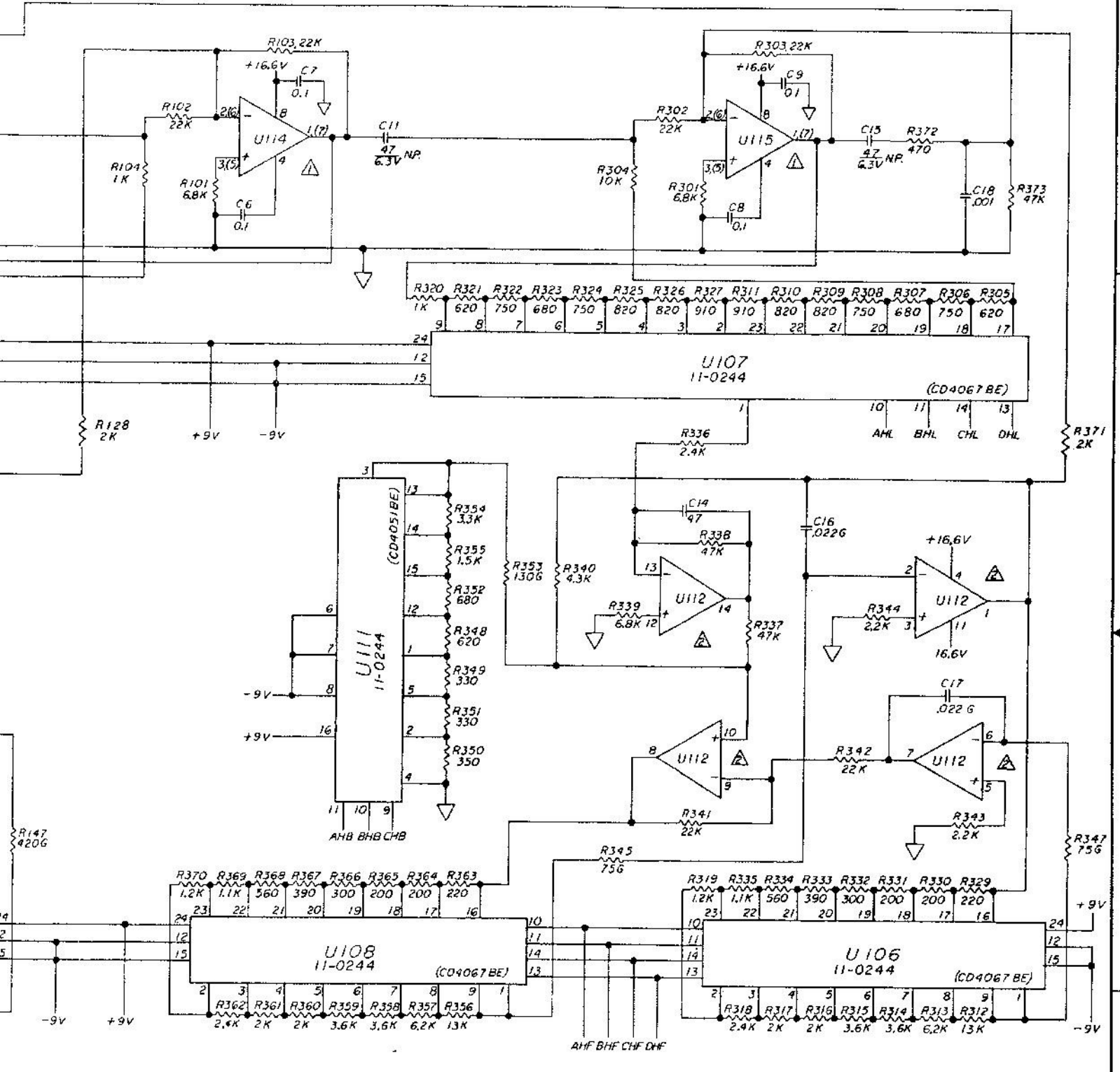
QTY	FRGM	PART OR	NOMENCLATURE	MATERIAL
REQD	NO.	IDENTIFYING NO.	OR DESCRIPTION	SPECIFICATION
PARTS LIST				
UNLESS OTHERWISE SPECIFIED DIMENSIONS ARE IN INCHES TOLERANCES ARE: FRACTIONS DECIMALS ANGLES = .XX ± .XX ±		CONTRACT NO.		
MATERIAL		APPROVALS		
FINISH		DATE		
NEXT ASSY		DRAWN		
USED ON		CHECKED		
APPLICATION		ISSUED		
DO NOT SCALE DRAWING		SAE SCIENTIFIC AUDIO ELECTRONICS, INC. 709 E. GRAY ST. LOS ANGELES, CALIF. 90002		
		SCHEMATIC, POWER SPLY AND LOGIC CONTROL		
		SIZE FRGM NO. DWG. NO. REV.		
		SCALE SHEET 1 OF 3		



— LOW FREQUENCY —  
(IN HZ)

U110, U112 \*11-0160 (4156)  
 U113-U115 \*11-0239 (NE5532N)  
 NOTES: FOR GENERAL NOTES, SEE SHEET 1 OF 1.

REVISIONS			
ZONE	REV.	DESCRIPTION	DATE



— HIGH FREQUENCY —  
(IN KHZ)

QTY	FRGM	PART OR	NOMENCLATURE	MATERIAL
REQD	NO.	IDENTIFYING NO.	OR DESCRIPTION	SPECIFICATION
PARTS LIST				
UNLESS OTHERWISE SPECIFIED DIMENSIONS ARE IN INCHES TOLERANCES ARE:		CONTRACT NO.		
FRACTIONS	DECIMALS	ANGLES	<div style="text-align: center;"> <p>SCIENTIFIC AUDIO ELECTRONICS, INC. 701 S. BAY ST., LOS ANGELES, CALIF. 90005</p> </div>	
±	±	±		
MATERIAL		APPROVALS	DATE	
FINISH		DRAWN	12-10-81	
NEXT ASBY		CHECKED	ISSUED	
USED ON		<div style="text-align: center;"> <p><b>SCHMATIC</b> <b>AUDIO SECTION</b></p> </div>		
APPLICATION		<div style="display: flex; justify-content: space-between;"> <span>SIZE: FSCM NO. <b>D</b></span> <span>DWG. NO.</span> <span>REV.</span> </div>		
DO NOT SCALE DRAWING		SCALE		

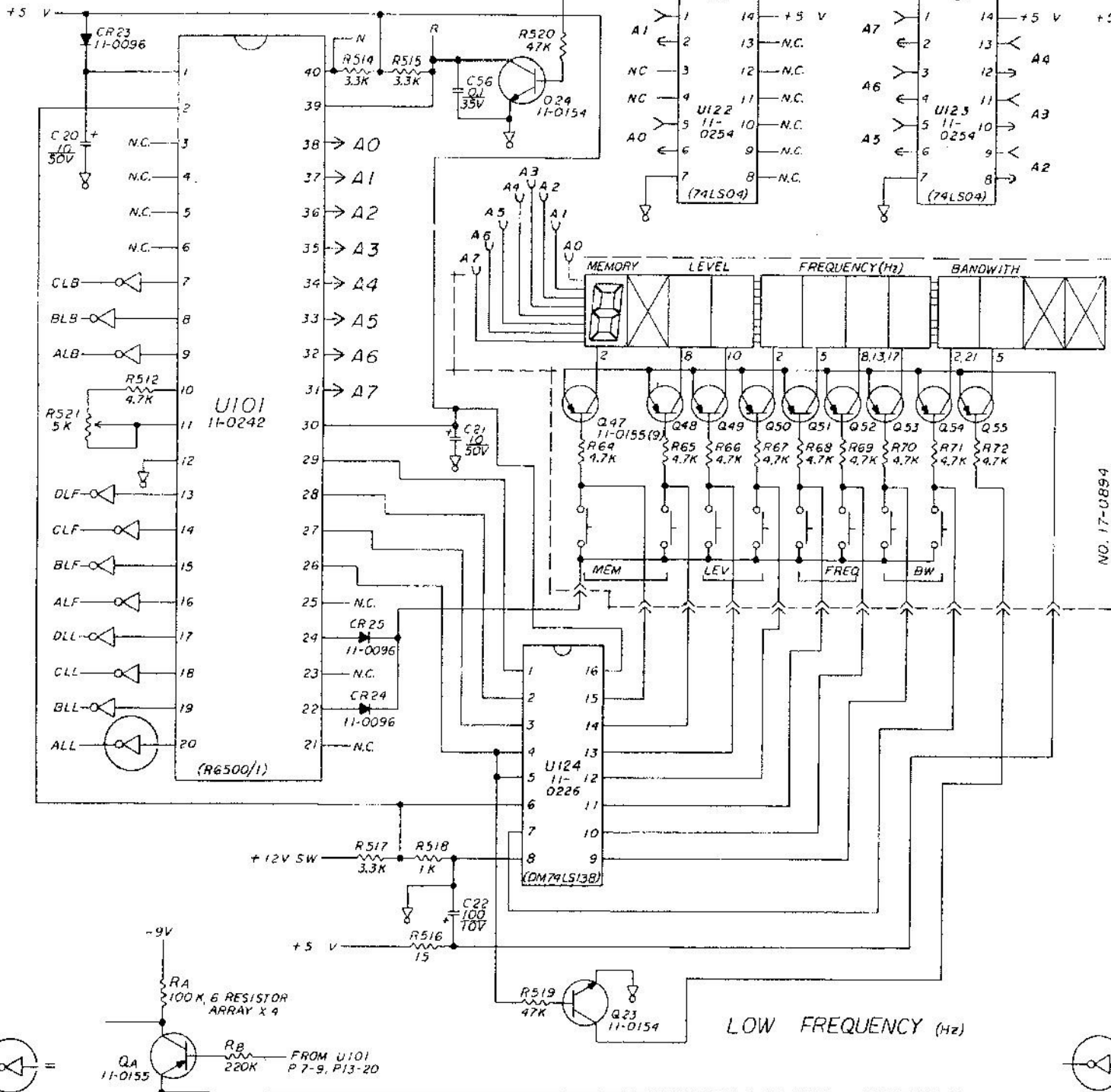
D

C

B

A

RST (SHT) CF3



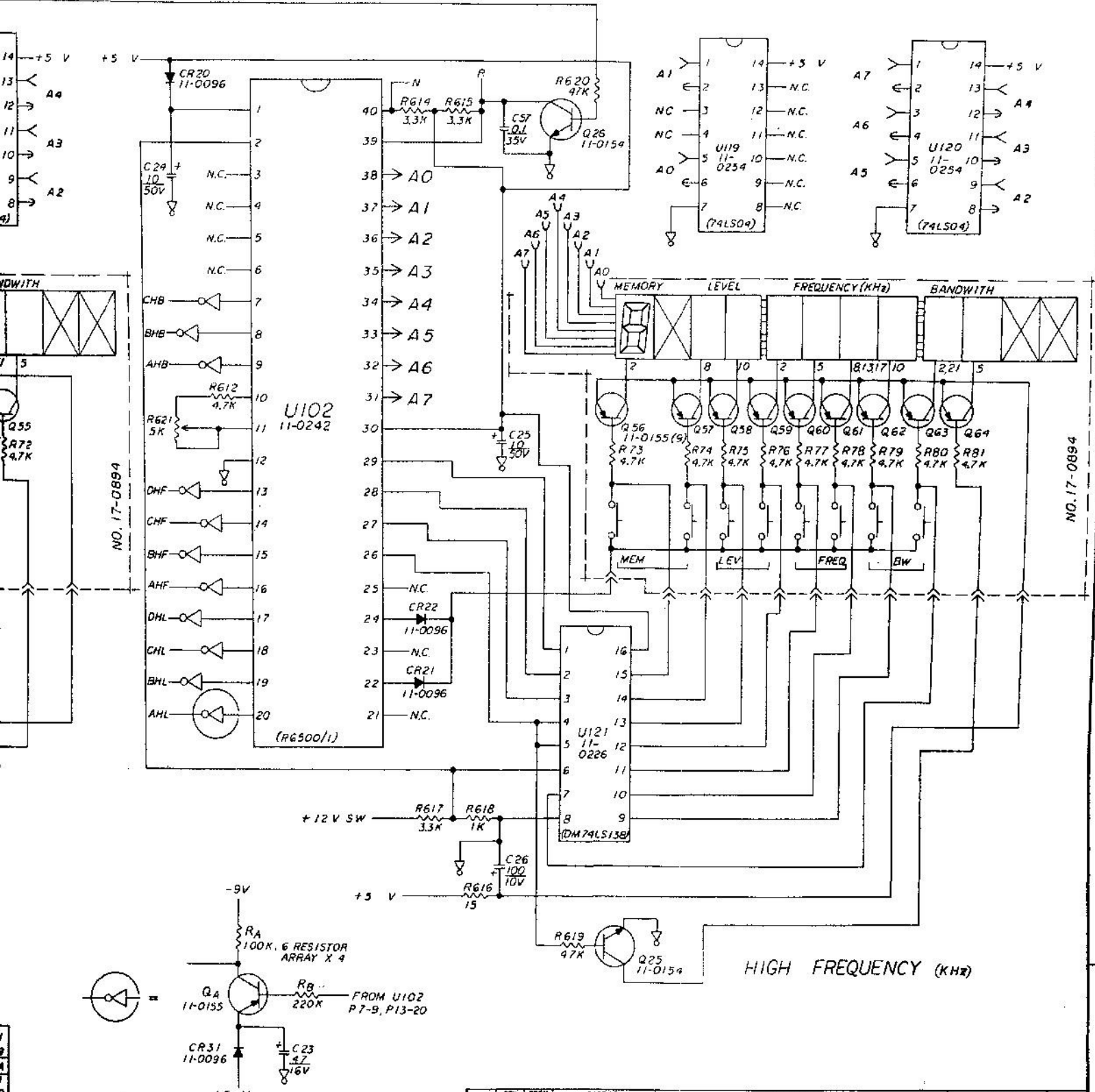
KHZ	HZ	LEVEL	6500/1				LEVEL	6500/1				BAND-WIDTH	LEVEL	6500/1																
			13	14	11	10		14	15	16	13			D	C	B	A	9	10	11										
15.00	1500	7	1	1	1	1	0	0	0	0	+18	19	1	1	1	0	0	0	0	1	3.0	0	0	0	0	1	1	1		
10.00	1000	6	1	1	1	0	0	0	1	0	+13	13	1	1	0	1	0	0	1	0	2.5	1	0	0	1	1	1	0		
8.00	800	5	1	1	0	1	0	1	0	0	+10	12	1	1	0	0	0	1	1	2.0	2	0	1	0	1	0	1	0		
6.50	650	4	1	1	0	0	1	1	0	0	+8	11	1	0	1	1	0	1	0	1.7	3	0	1	1	1	0	0	1		
5.00	500	-3	1	0	1	1	0	0	0	0	+6	10	1	0	1	0	1	0	1	1.3	4	1	0	0	0	1	1	0		
4.00	400	2	1	0	1	0	1	0	1	0	+4	9	1	0	1	0	1	1	1.0	5	1	0	1	0	1	0	1	0		
3.00	300	1	1	0	0	1	1	0	0	0	+2	8	1	0	0	0	1	1	1	0.7	6	1	1	0	0	1	1	0		
START	2.00	0	1	0	0	0	1	1	1	0	0	7	0	1	1	1	1	0	0	0.3	7	1	1	1	0	0	0	0		
1.50	150	7	0	1	1	1	0	0	0	1	-2	6	0	1	1	0	1	0	0	1										
1.00	100	6	0	1	1	0	0	0	1	1	-4	5	0	1	0	1	1	0	1	0										
.80	80	5	0	1	0	1	0	1	0	1	-6	4	0	1	0	0	1	0	1	1										
.65	65	4	0	1	0	0	0	1	1	1	-8	3	0	0	1	1	1	1	0	0										
.50	50	3	0	0	1	1	0	0	1	1	-10	2	0	0	1	0	1	1	0	1										
.40	40	2	0	0	1	0	1	0	1	1	-13	1	0	0	0	1	1	1	0	0										
.30	30	1	0	0	0	1	1	0	1	0	-16	0	0	0	0	0	1	1	1	1										
.20	20	0	0	0	0	0	1	1	1	1																				

RA - R513, R520  
 RB - R501 TO R511  
 QA - Q1 TO Q11

START

NO. 17-0894

DWG. NO.		REV.	REV.
REVISIONS			
ZONE	REV.	DESCRIPTION	DATE



NO. 17-0894

NO. 17-0894

HIGH FREQUENCY (KHz)

- R<sub>A</sub> - R613, R620
- R<sub>B</sub> - R601 TO R611
- Q<sub>A</sub> - Q12 TO Q22

QTY	FRGM	PART OR	NOMENCLATURE	MATERIAL
		IDENTIFYING NO. <td>OR DESCRIPTION <td>SPECIFICATION </td></td>	OR DESCRIPTION <td>SPECIFICATION </td>	SPECIFICATION
PARTS LIST				
UNLESS OTHERWISE SPECIFIED DIMENSIONS ARE IN INCHES TOLERANCES ARE:		CONTRACT NO.		
FRACTIONS	DECIMALS	ANGLES	APPROVALS	DATE
±	±	±		
MATERIAL		DRAWN		
FINISH		CHECKED		
NEXT ASBY		ISSUED		
USED ON		SIZE		
APPLICATION		SCALE		
DO NOT SCALE DRAWING		DWG. NO.		
		REV.		
		SHEET 3 OF 3		

SAE ROBERTS AND ALDRIDGE ELECTRONICS, INC. 701 S. MARY ST. LOS ANGELES, CALIF. 90005

SCHEMATIC, COMPUTER LOGIC CONTROL

APPROVALS DATE 12-12-81

E101

SIZE F5CM NO. DWG. NO. REV.

SCALE

Main office: SCIENTIFIC AUDIO ELECTRONICS, INC.

P.O. Box 60271, Terminal Annex, Los Angeles, California 90060. Tlx: 674061 SAE LSA.

In Canada: The Pringle Group, 30 Scarsdale Road, Don Mills, Ontario, Canada M3B 2R7. Tlx: 06966865 PRINGLE TOR.

In Europe: SAE EUROPE, Via Respighi, 99 41106 Modena, Italy