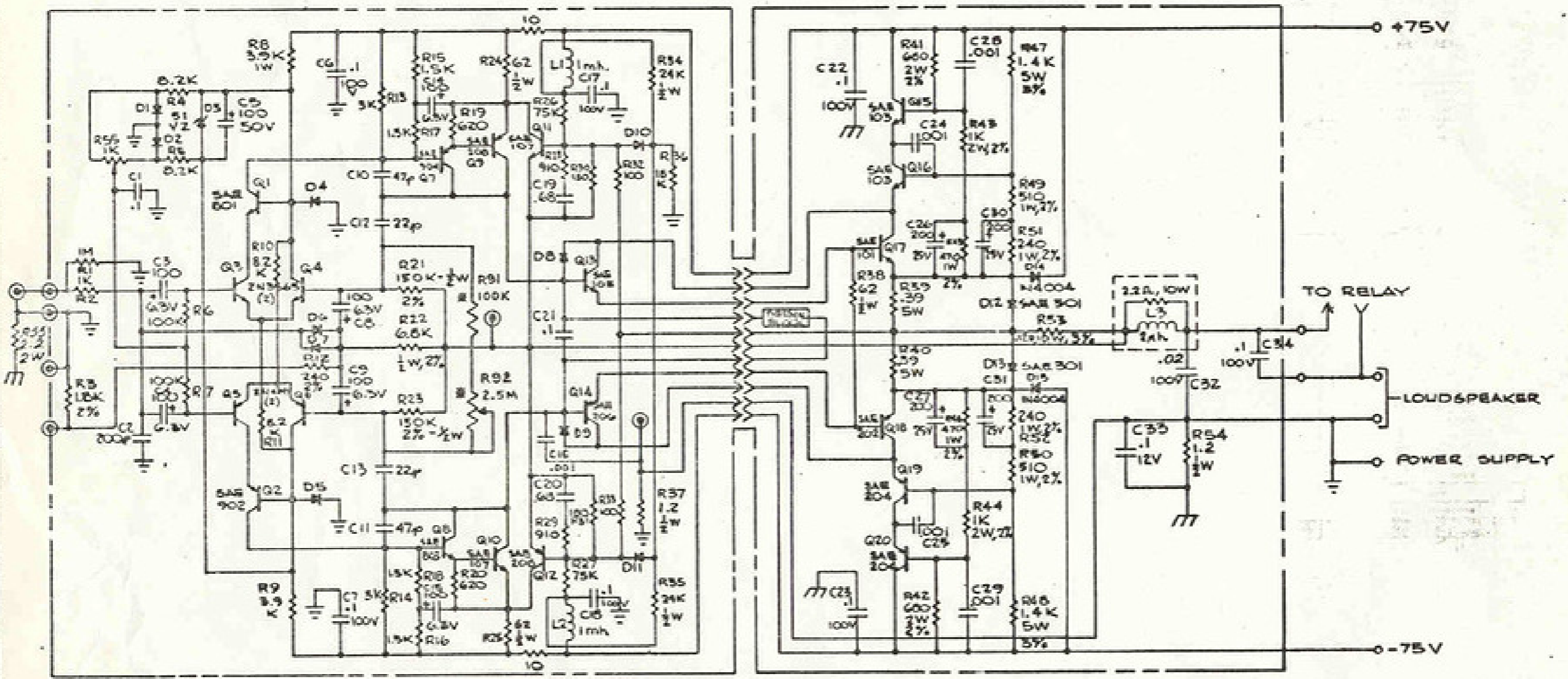


THERMAL BLOCK

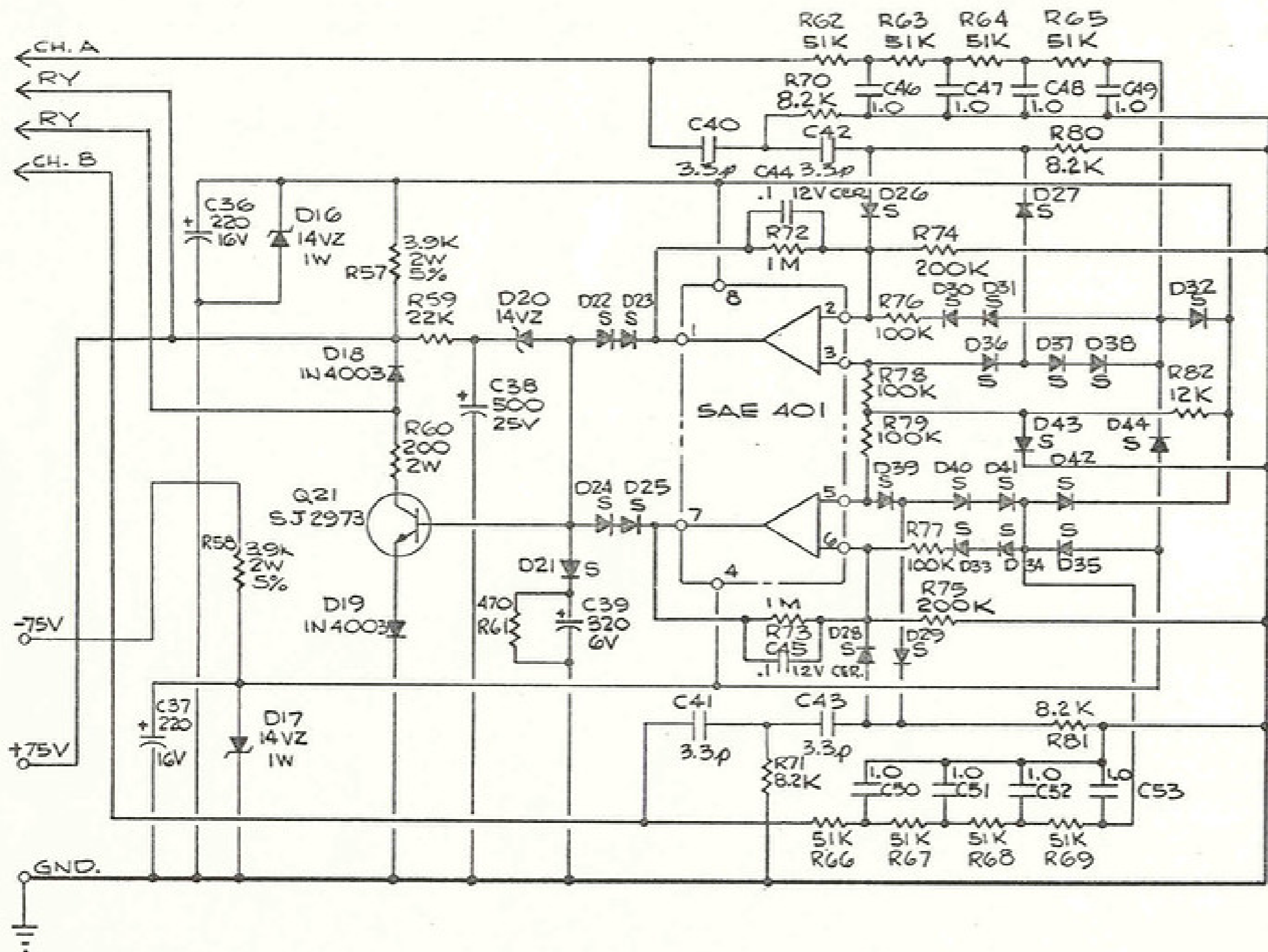


- NOTES:
1. ALL DIODES IN4148/IN914 UNLESS NOTED.
 2. ALL RESISTORS 1/2W, 5% UNLESS NOTED.
 3. IN SOME EARLY UNITS HAVE RESISTOR BRIDGED ON BACK OF P.C. BOARD

MK. IIC & MK. IIICM
POWER AMPLIFIER SCHEMATIC

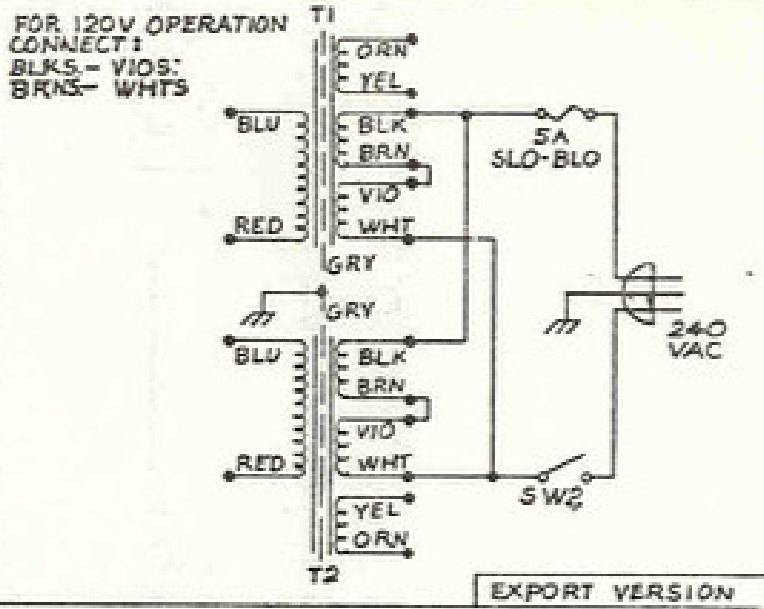
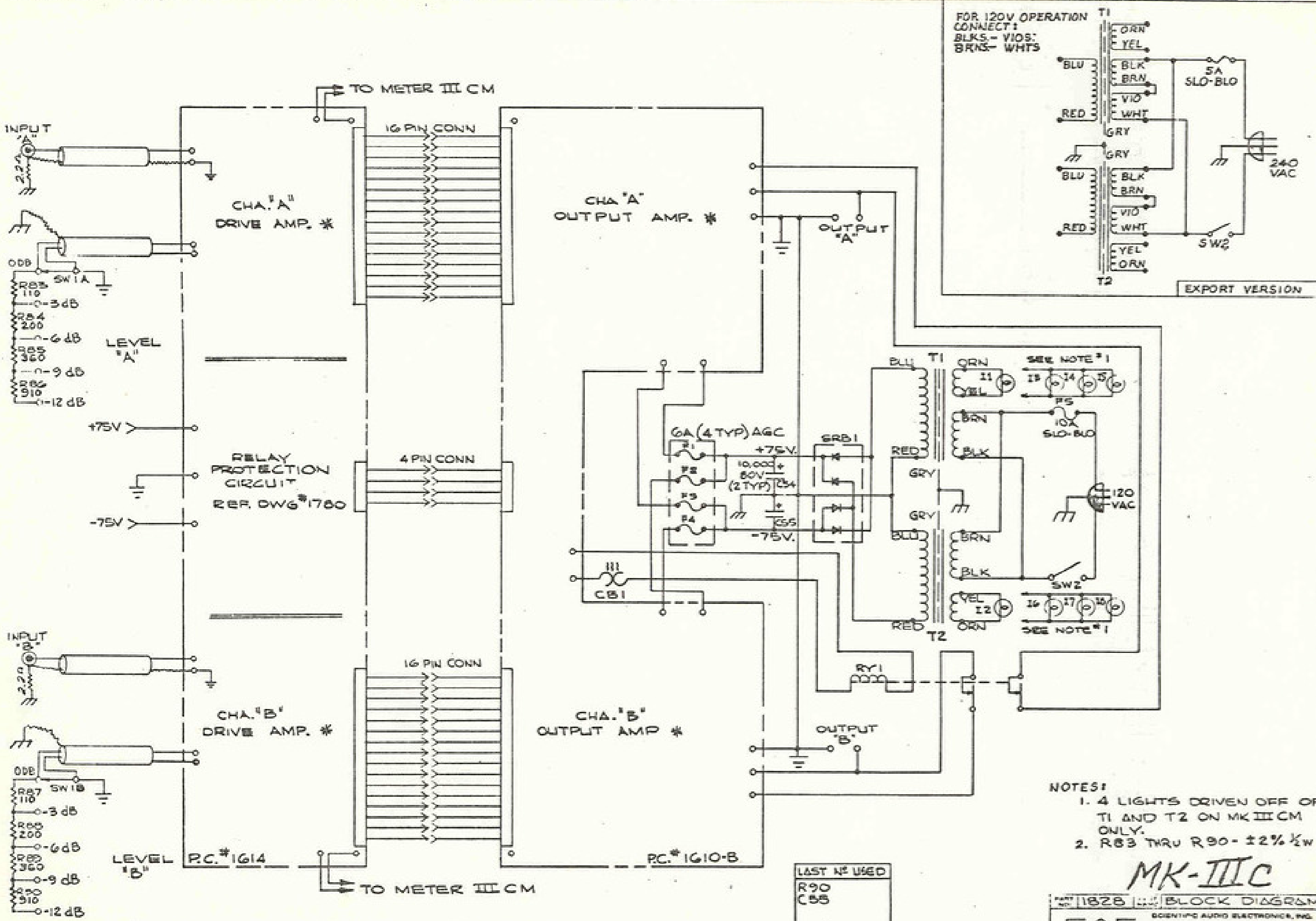
LAST NR USED
R92
L3
C35
D15
F2
Q20

Δ	SAB 111, 212, REPLACES SAB 101, 202	*
SM	REVISION	DATE
PART NO.	1817	SCHEMATIC - AMP
SAE SCIENTIFIC AUDIO ELECTRONICS, INC. 401 E. BROAD ST. FORT WORTH, TEXAS 76102 801 E. BROAD ST. LOS ANGELES, CALIF. 90002		
MATERIAL	DESIGNED BY	APPROVED
SCALE	DATE	DATE
* TO BE COME EFFECTIVE 1-1-74		8-15-73



LAST N ^o USED
R82
C53
Q21
D44

PART NO:	1780	PART NAME:	RELAY PROTECTION CKT.
SAE		SCIENTIFIC AUDIO ELECTRONICS, INC. PO BOX 90271 TERMINAL AREA 801 E. MACY ST. LOS ANGELES, CALIF. 90009	
MATERIAL:	—	FINISH:	—
SCALE:	DRAWN BY:	APPROVED:	USED ON:
—	R. Bak	Boyd	III - Cm
			DATE:
			MAR 22 1973



EXPORT VERSION

- NOTES:
- 4 LIGHTS DRIVEN OFF OF T1 AND T2 ON MK III CM ONLY.
 - R83 THRU R90 - 1/2% 1/2W

MK-III C

1828		BLOCK DIAGRAM	
SAE SCIENTIFIC AUDIO ELECTRONICS, INC.			
70 SUTHERLAND TERRACE, LOS ANGELES, CALIF. 90045			
MATERIAL	—	PRICE	—
SCALE	DRAWN BY	APPROVED	USED ON
—	R. B. J.	MK III C	9-5-73

LAST N^o USED
R90
C55

* REF. DWG. # 1817