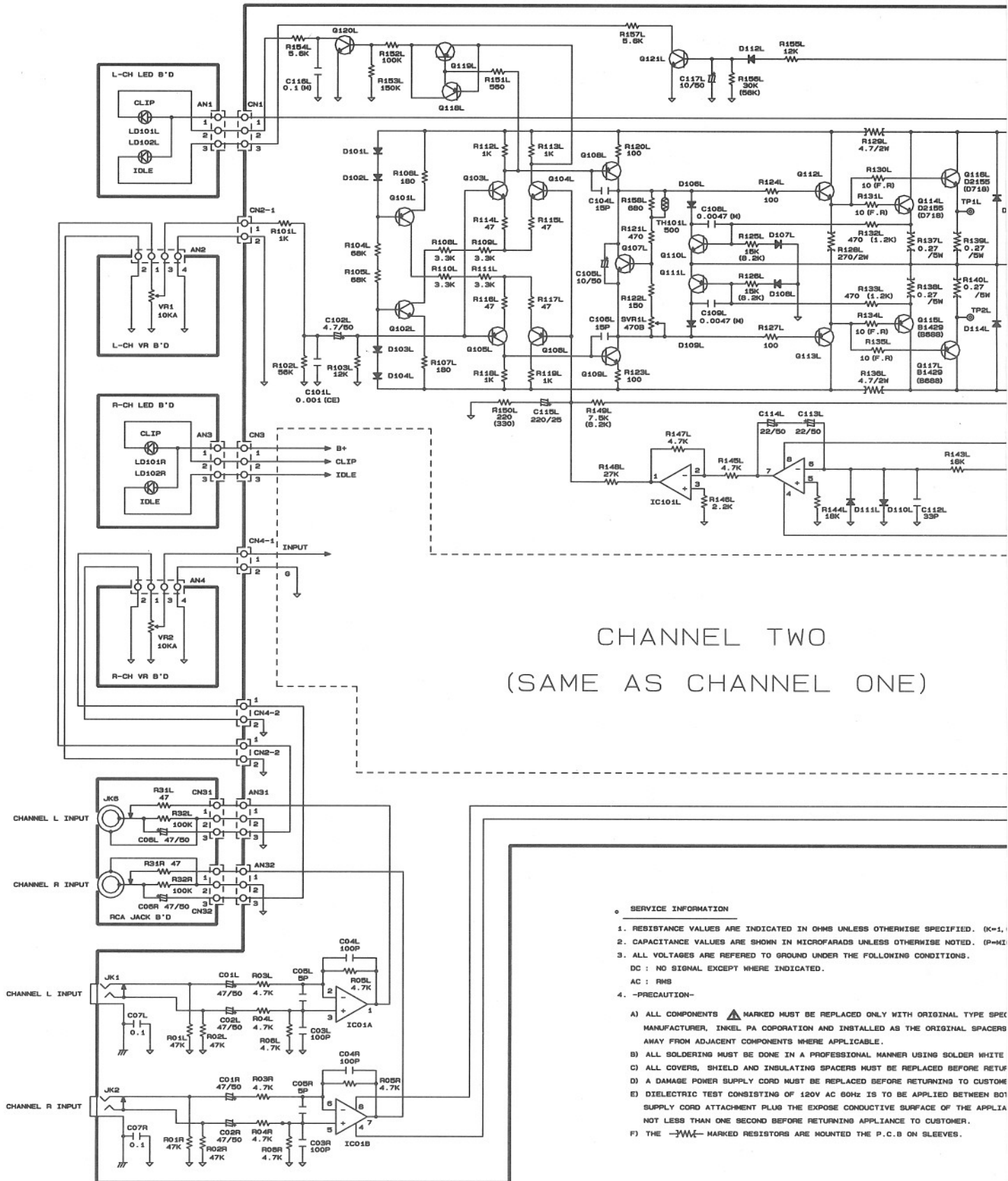


SCHEMATIC

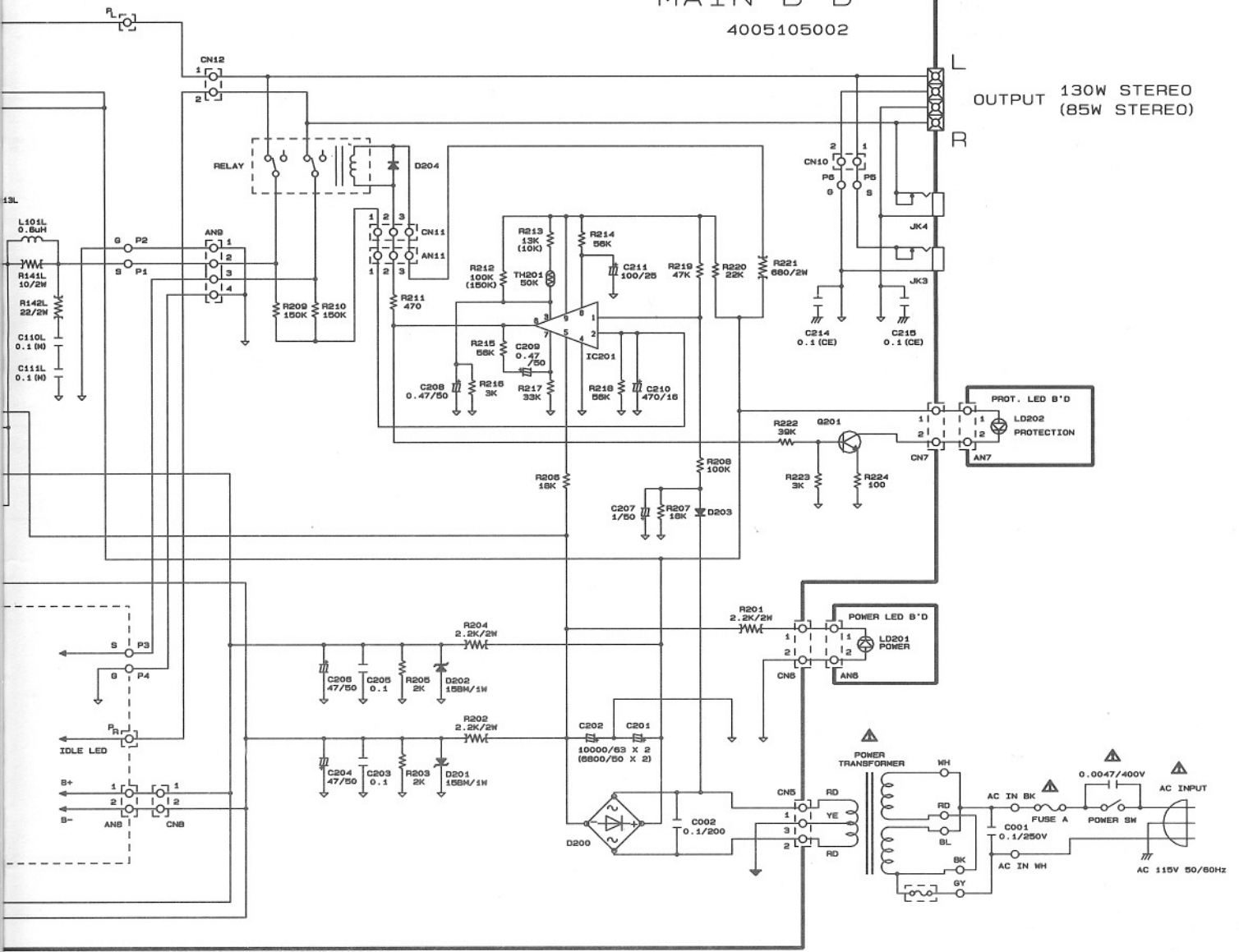


DIAGRAM

MAIN B'D

4005105002

OUTPUT 130W STEREO
(85W STEREO)

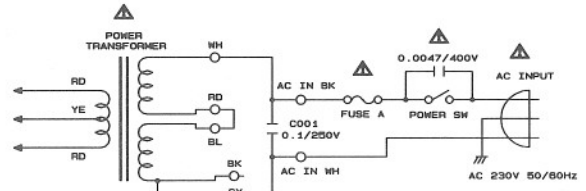


NOTE

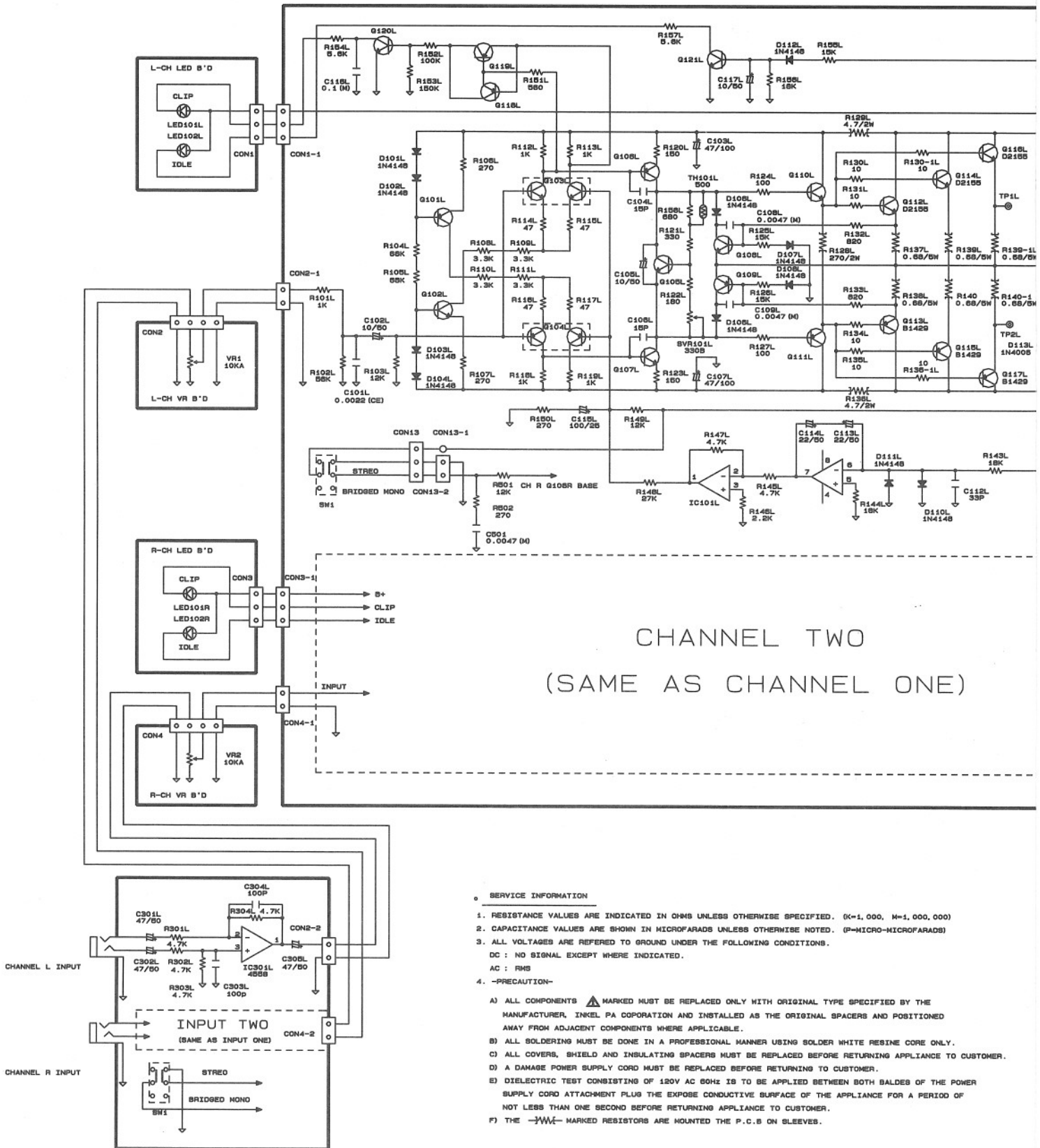
- A1268 : Q101, Q111
- C3198 : Q102, Q110, Q121, Q201
- C3200 : Q103, Q104, Q107, Q120
- A1268 : Q118, Q119
- A970 : Q105, Q105
- A948 : Q108
- C2229 : Q109
- C2238 : Q112
- A988 : Q113
- TA7317P : IC201
- 0720 : IC101
- 20860 : IC01
- 1N4148 : D101-D112
- UZP-158M: D201, D202
- 1N4006 : D203, D204
- PS804 : D200
- KL206L : LD101, LD202
- KL206L : LD102
- SLR-54UR: LD201
- PS2010 : D113, D114

() = SERVO-170 PART VALUE
(/) = CHASSIS GROUND

00, M=1, 000, 000)
RO-MICROFARADS)
IFIED BY THE
AND POSITIONED
RESINE CORE ONLY.
NING APPLIANCE TO CUSTOMER.
R.
H BALDES OF THE POWER
CE FOR A PERIOD OF



SERVO-550 SCHEMA



CHANNEL TWO
(SAME AS CHANNEL ONE)

- o SERVICE INFORMATION
1. RESISTANCE VALUES ARE INDICATED IN OHMS UNLESS OTHERWISE SPECIFIED. (K=1,000, M=1,000,000)
 2. CAPACITANCE VALUES ARE SHOWN IN MICROFARADS UNLESS OTHERWISE NOTED. (P=MICRO-MICROFARADS)
 3. ALL VOLTAGES ARE REFERED TO GROUND UNDER THE FOLLOWING CONDITIONS.
DC : NO SIGNAL EXCEPT WHERE INDICATED.
AC : RMS
 4. -PRECAUTION-
A) ALL COMPONENTS Δ MARKED MUST BE REPLACED ONLY WITH ORIGINAL TYPE SPECIFIED BY THE MANUFACTURER, INKEL PA COPORATION AND INSTALLED AS THE ORIGINAL SPACERS AND POSITIONED AWAY FROM ADJACENT COMPONENTS WHERE APPLICABLE.
B) ALL SOLDERING MUST BE DONE IN A PROFESSIONAL MANNER USING SOLDER WHITE RESINE CORE ONLY.
C) ALL COVERS, SHIELD AND INSULATING SPACERS MUST BE REPLACED BEFORE RETURNING APPLIANCE TO CUSTOMER.
D) A DAMAGE POWER SUPPLY CORD MUST BE REPLACED BEFORE RETURNING TO CUSTOMER.
E) DIELECTRIC TEST CONSISTING OF 120V AC 60HZ IS TO BE APPLIED BETWEEN BOTH BALDES OF THE POWER SUPPLY CORD ATTACHMENT PLUS THE EXPOSE CONDUCTIVE SURFACE OF THE APPLIANCE FOR A PERIOD OF NOT LESS THAN ONE SECOND BEFORE RETURNING APPLIANCE TO CUSTOMER.
F) THE \sim MARKED RESISTORS ARE MOUNTED THE P.C.B ON SLEEVES.

