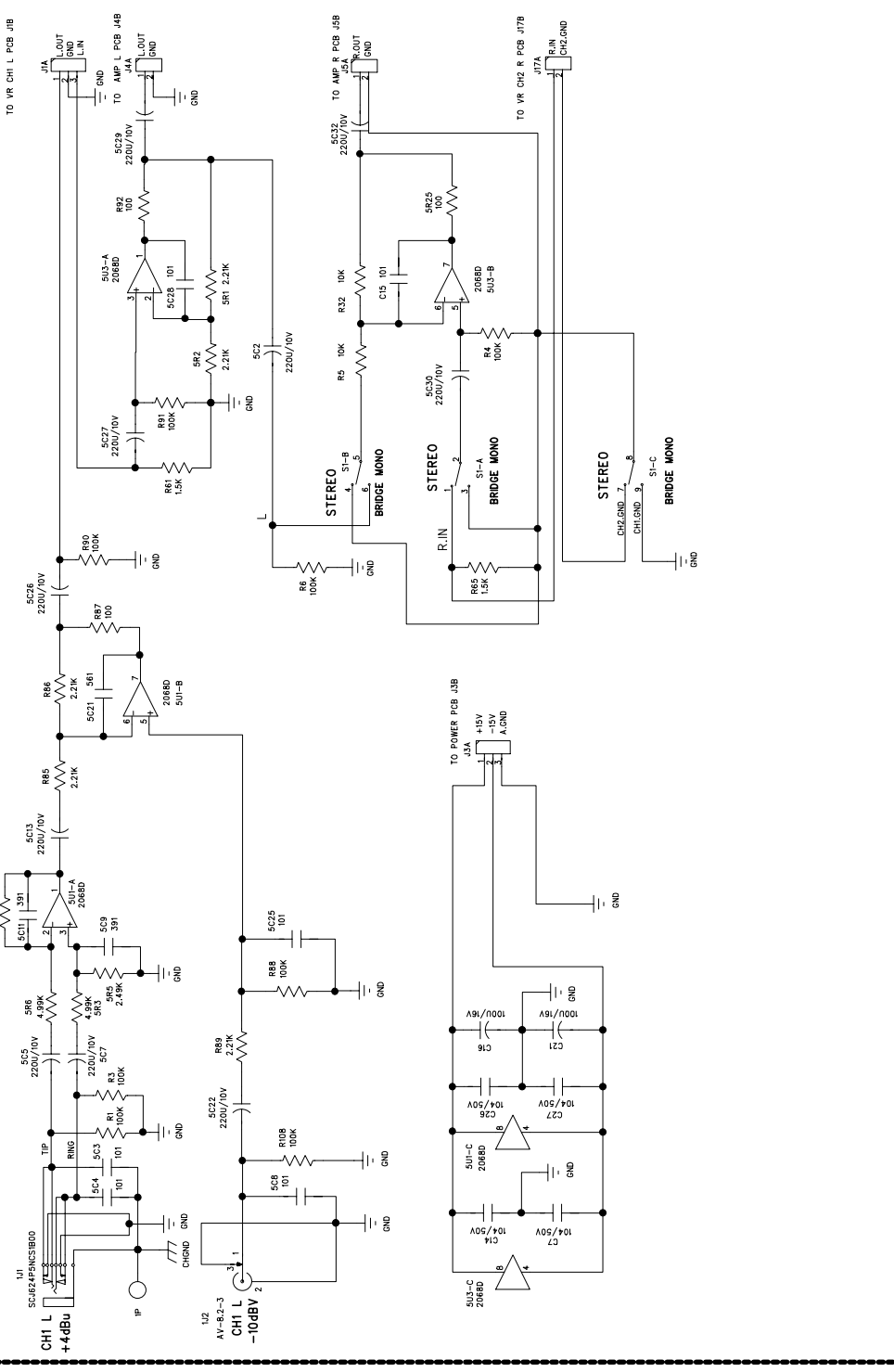
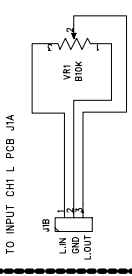


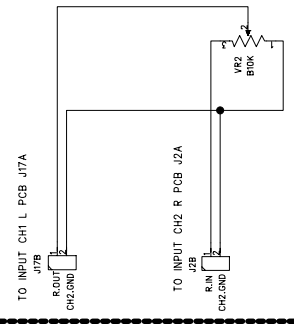
CH1 INPUT L PCB
SERVO CH1 INPUT V4.0



VR CH1 L PCB
SERVO CH1 VR V3.0



VR CH2 R PCB
SERVO CH2 VR V3.0



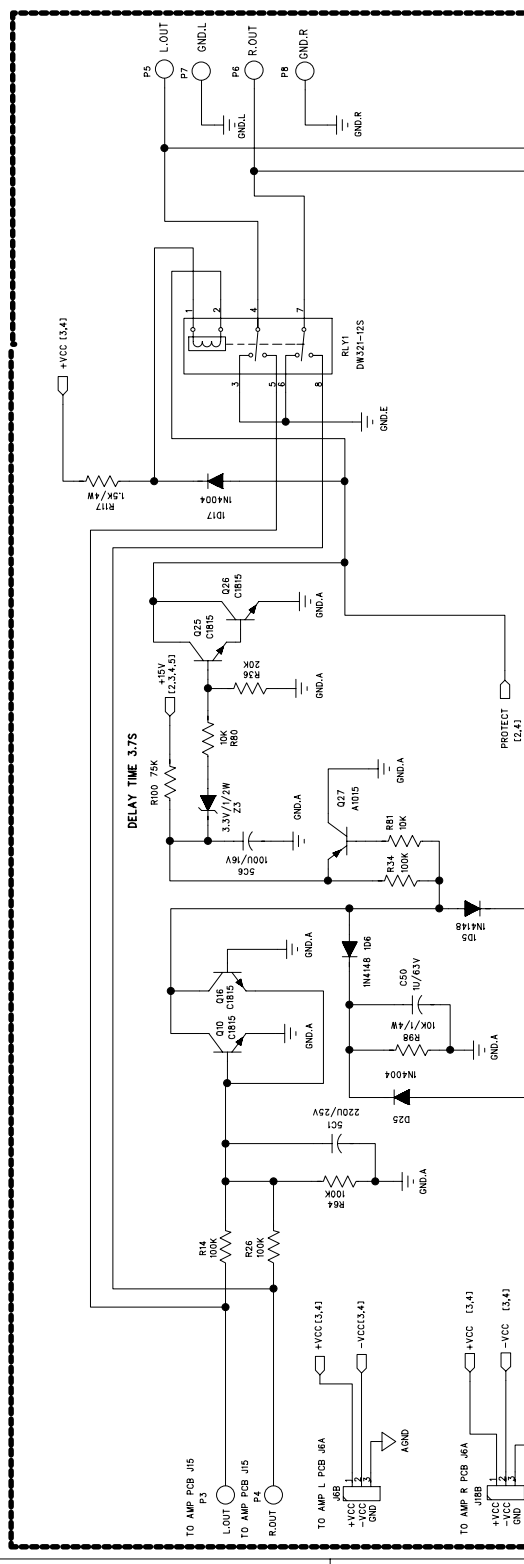
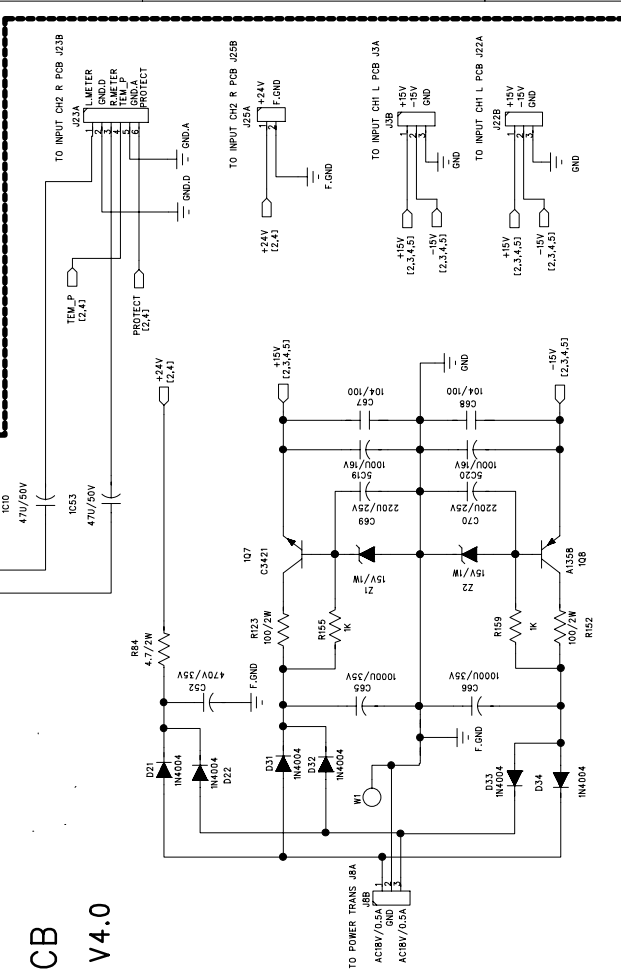
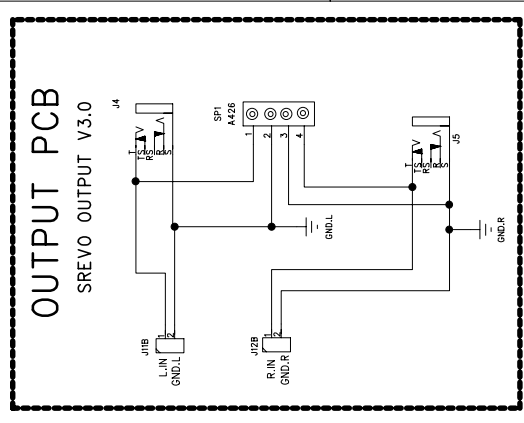
1 2 3 4 5 6

COMPANY: Samson Technologies

TITLE: SERVO 200/300/600 INPUT CH1 L AND VR PCB

DRAWN:	DATED:	REVISED:	DATED:	APPROVED:	DATED:
WYH	04.09.01				
DWG NO: PT-J-XXXX-XX		SCALE:	SIZE:A2	REV:0	SHEET: 1 OF 5

1 2 3 4 5 6

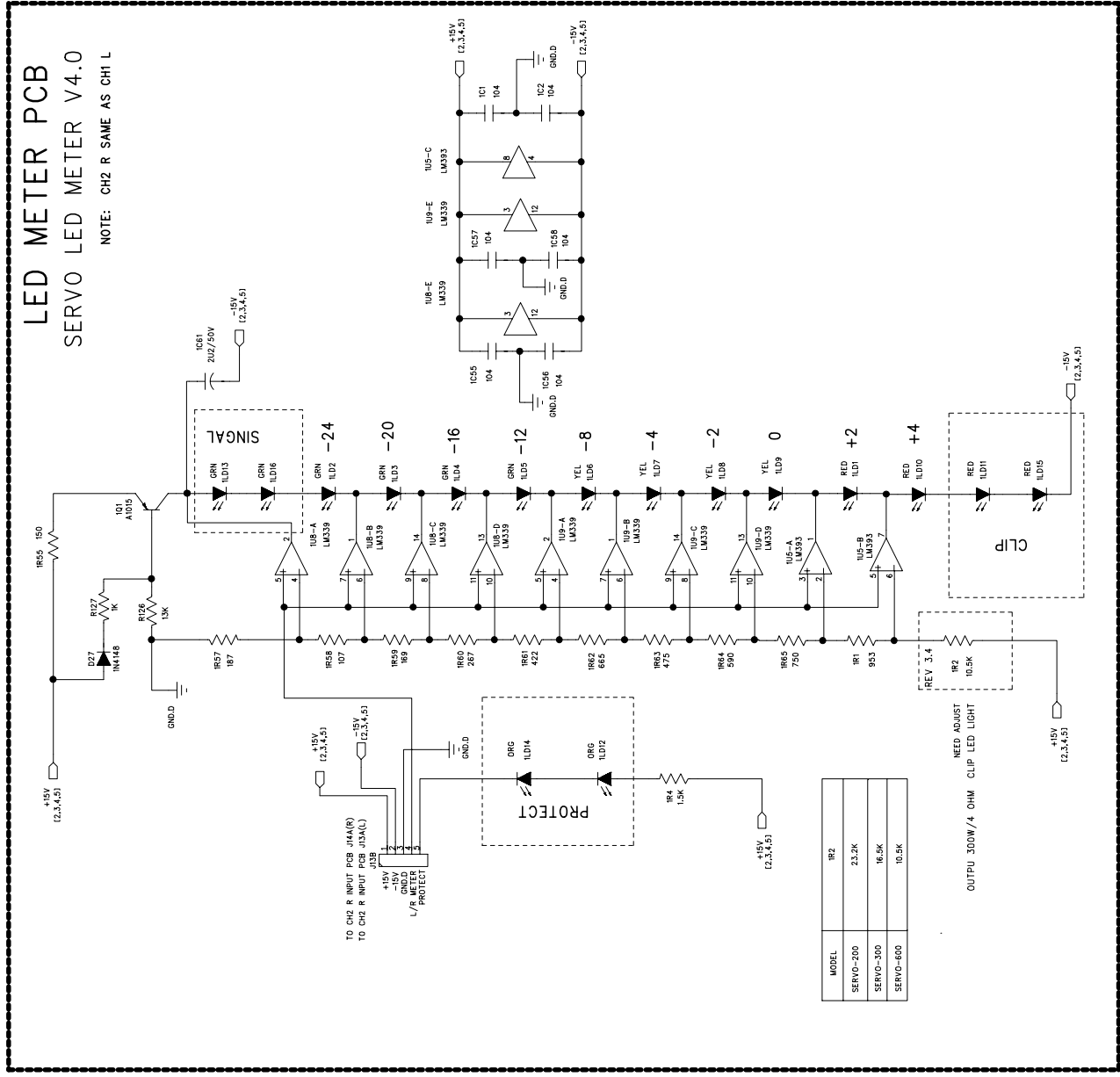
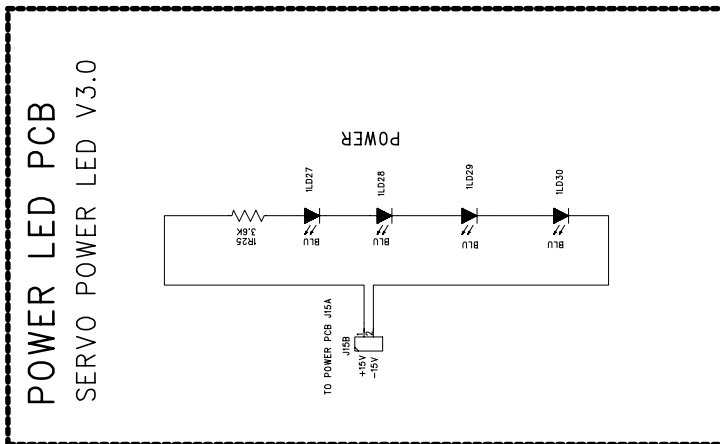


COMPANY: Samson Technologies
 TITLE: SERVO 200/300/600 POWER PCB/OUTPUT PCB
 DRAWN: WYH
 DATED: 04.09.11
 CHECKED: []
 APPROVED: []
 DATED: []

MODEL	C55	C56	D26	R17	NT1
SERVO-200	6800U/50V	6800U/50V	RS602	750/2W	2.5 OHM/5A
SERVO-300	10000U/63V	10000U/63V	RS602	1K/2W	5 OHM/10A
SERVO-600	10000U/80V	10000U/80V	RS3504	1.5K/2W	5 OHM/10A

DWG NO: PT-X-XXXXX-XX SCALE: SIZE:A2 REV:1.0 SHEET: 4 OF 5

1 2 3 4 5 6



COMPANY: Samson Technologies

TITLE: SERVO 200/300/600 L LED METER PCB

DRAWN: WYH	DATED: 04.09.11	CHECKED:	DATED:	APPROVED:	DATED:
------------	-----------------	----------	--------	-----------	--------

DWG NO: PT-X-XXXXX-XX | SCALE: | SIZE:A2 | REV:1.0 | SHEET: 5 OF 5