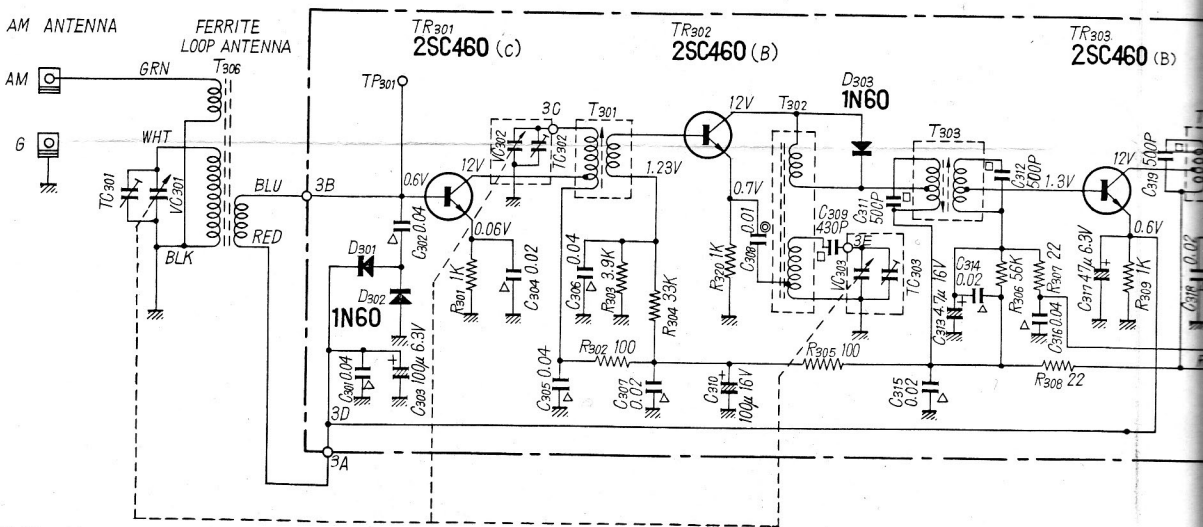
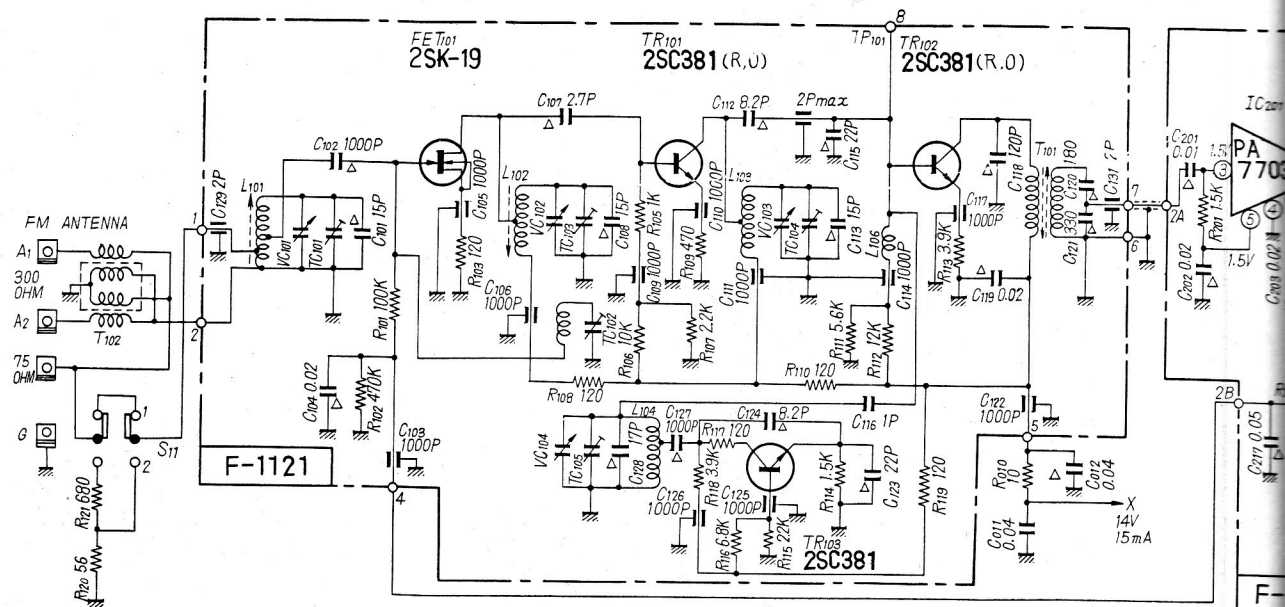
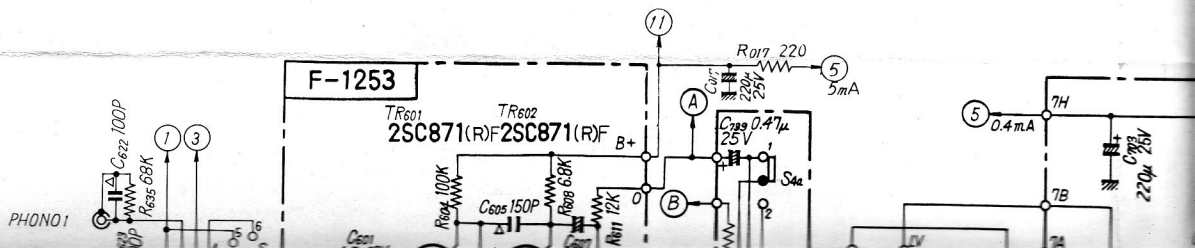
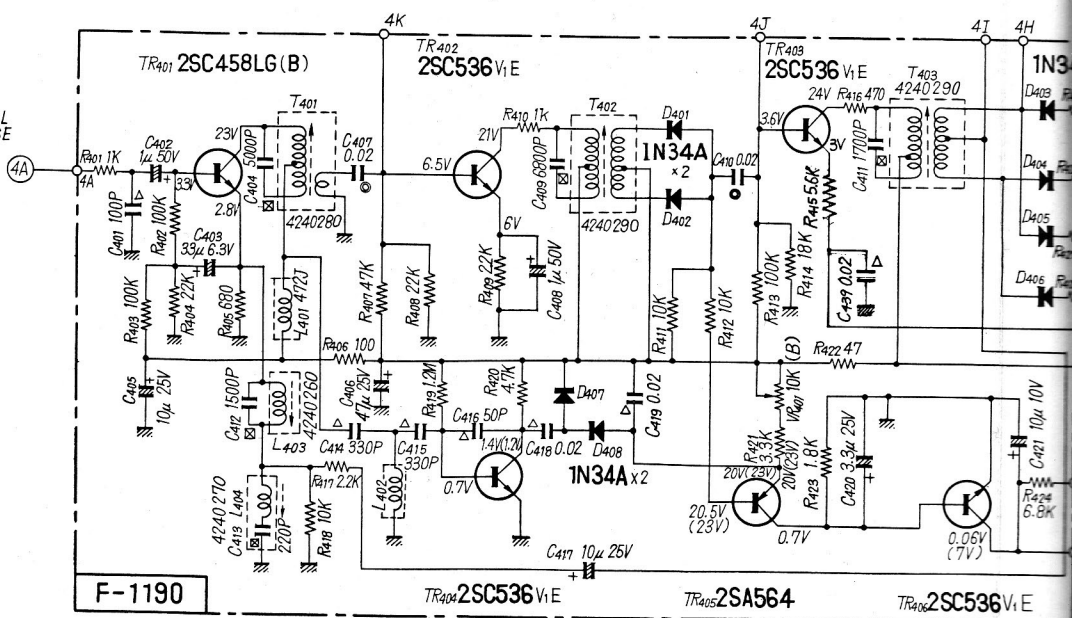


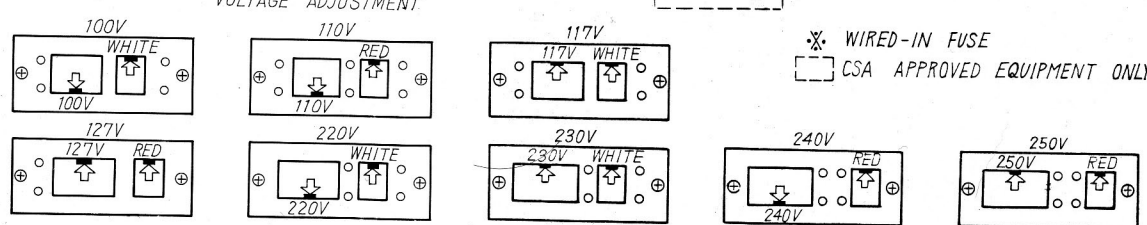
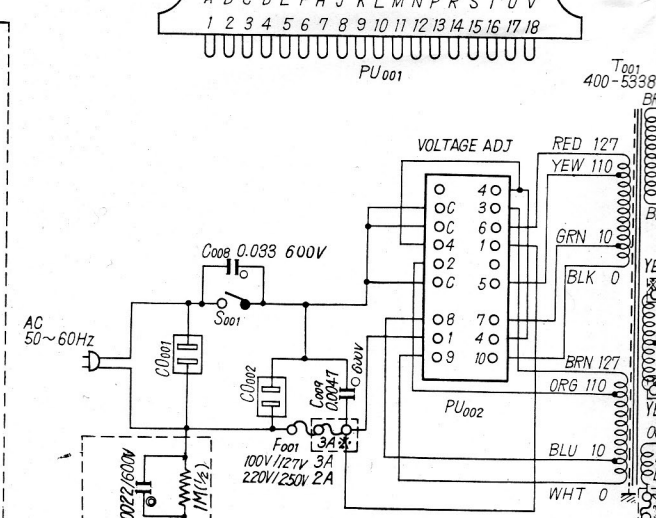
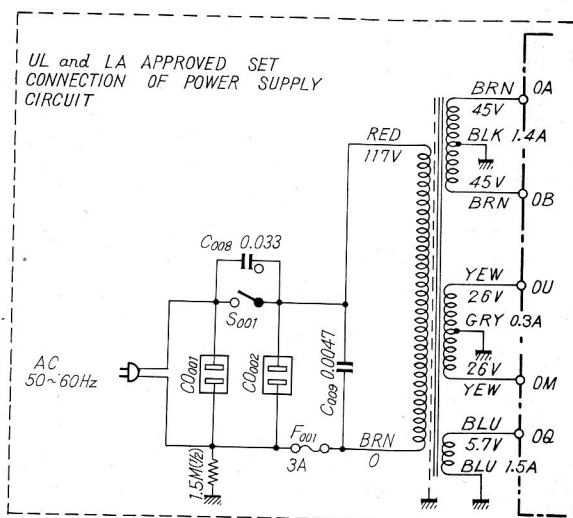
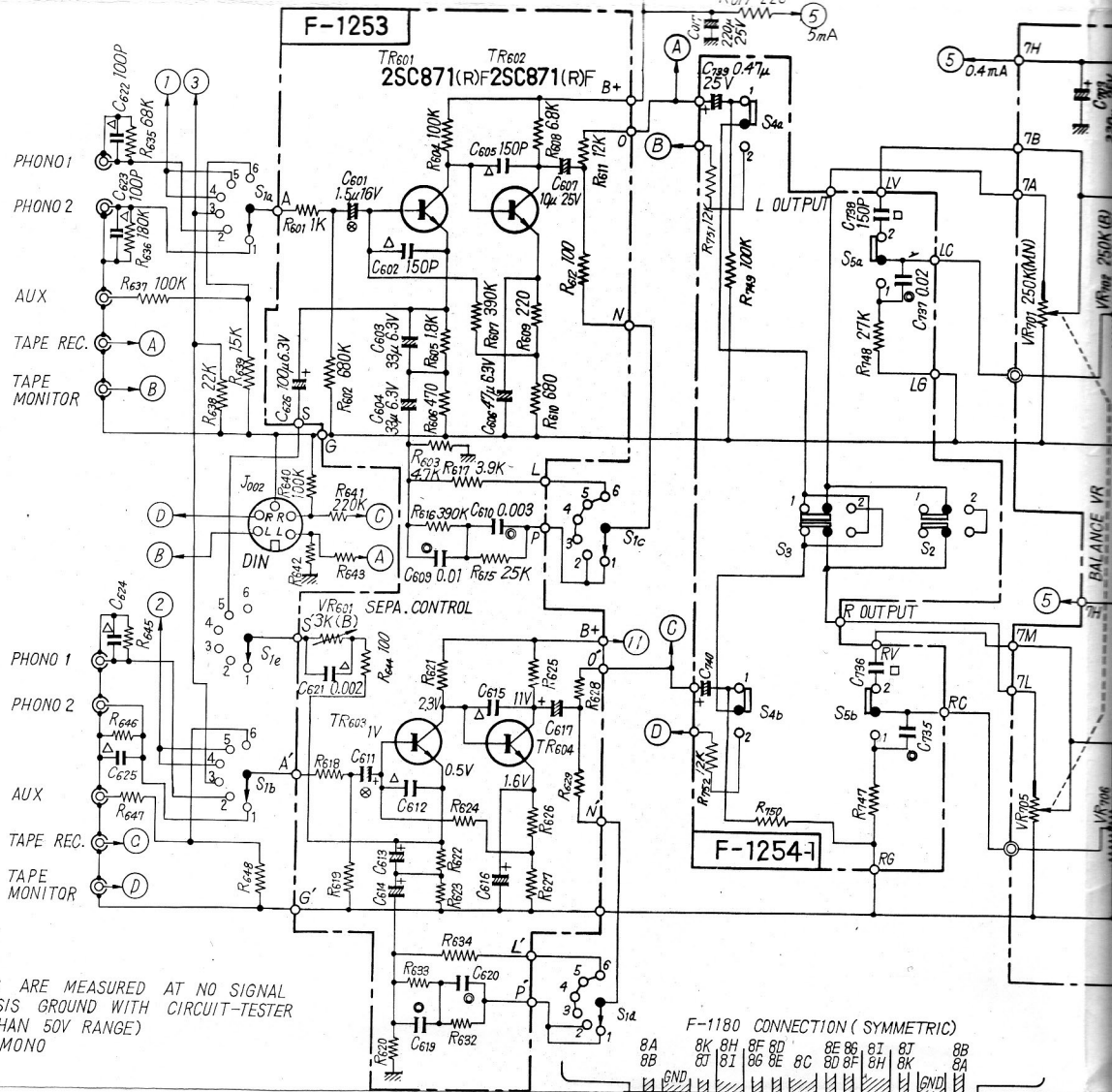
SCHEMATIC DIAGRAM



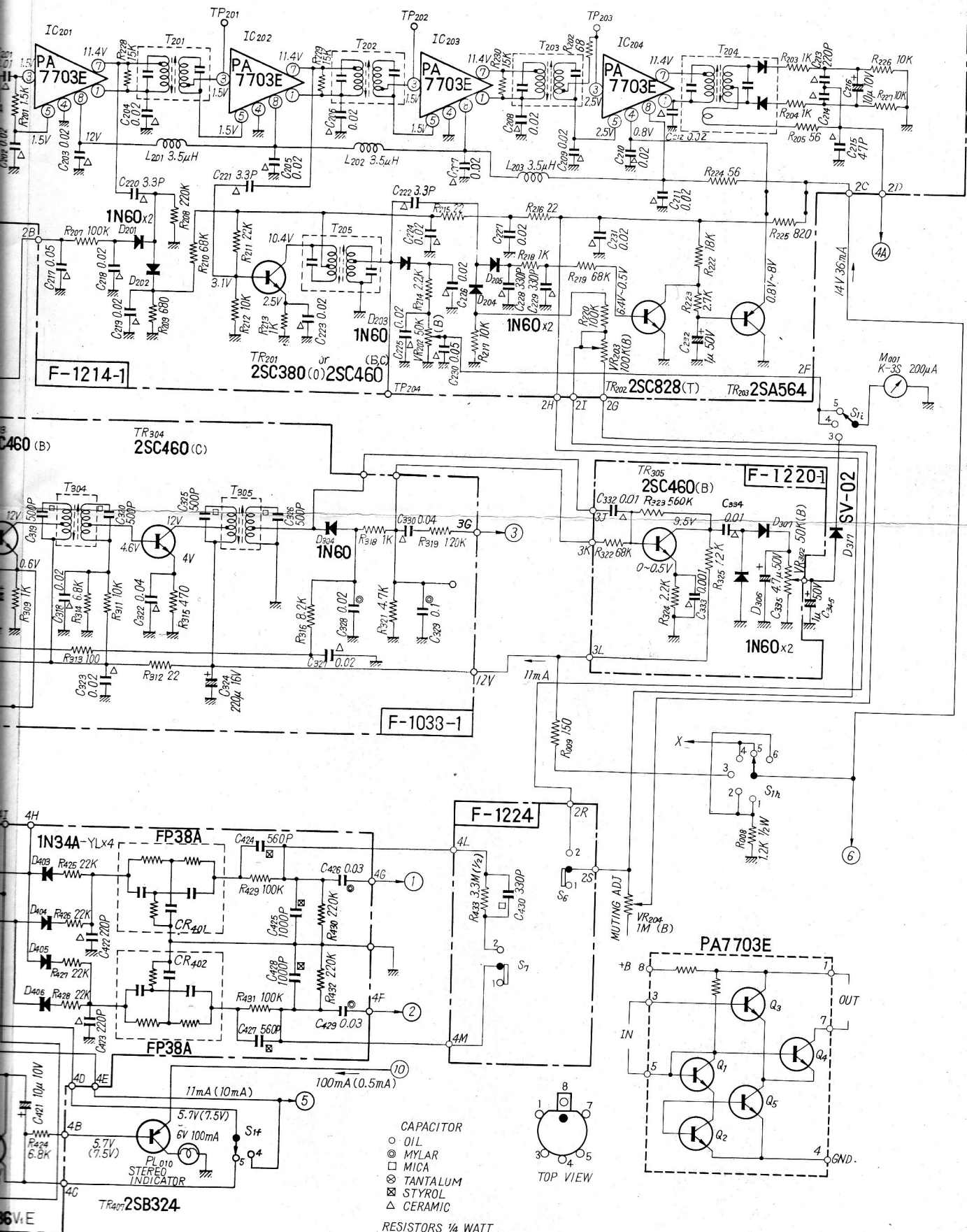
- SELECTOR (S1a~i)
1. PHONO1
 2. PHONO2
 3. AM MONO
 4. FM MONO
 5. FM AUTO
 6. AUX
- MODE
- S2: 1. STEREO S3: 1. NORMAL
 2. MONO 2. REVERSE
- TAPE MONITOR (S4)
1. OFF
 2. ON
- LOUDNESS (S5)
1. OFF
 2. ON
- MUTING (S6)
1. ON
 2. OFF
- NOISE CANCELER (S7)
1. OFF
 2. ON
- HIGH FILTER (S8)
1. OFF
 2. ON
- LOW FILTER (S9)
1. OFF
 2. ON
- SPEAKER SELECTOR (S10)
1. OFF
 2. SYSTEM A
 3. " B
 4. " A+B
- ANTENNA (S11)
1. LOCAL
 2. DISTANT



SANSUI 2000X SCH

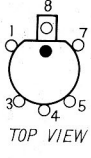


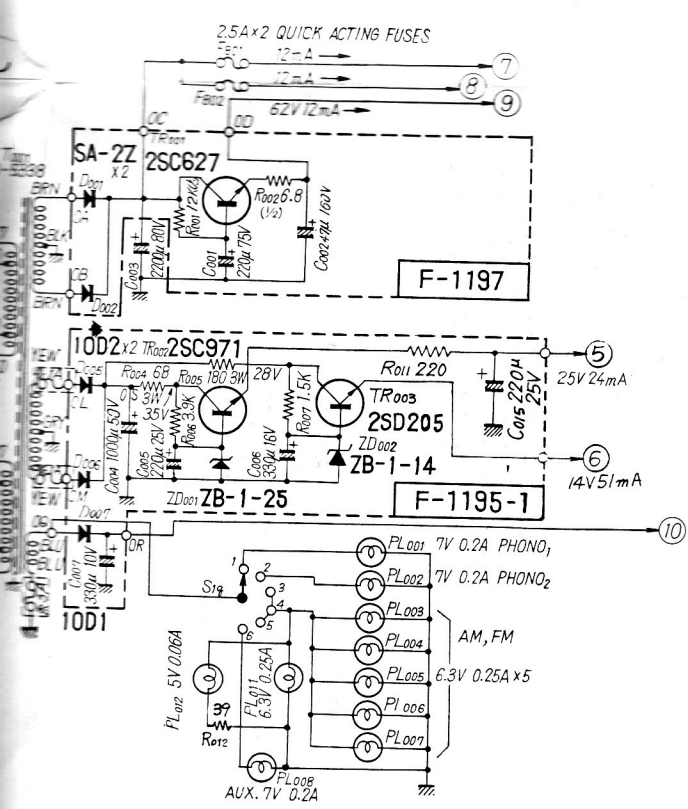
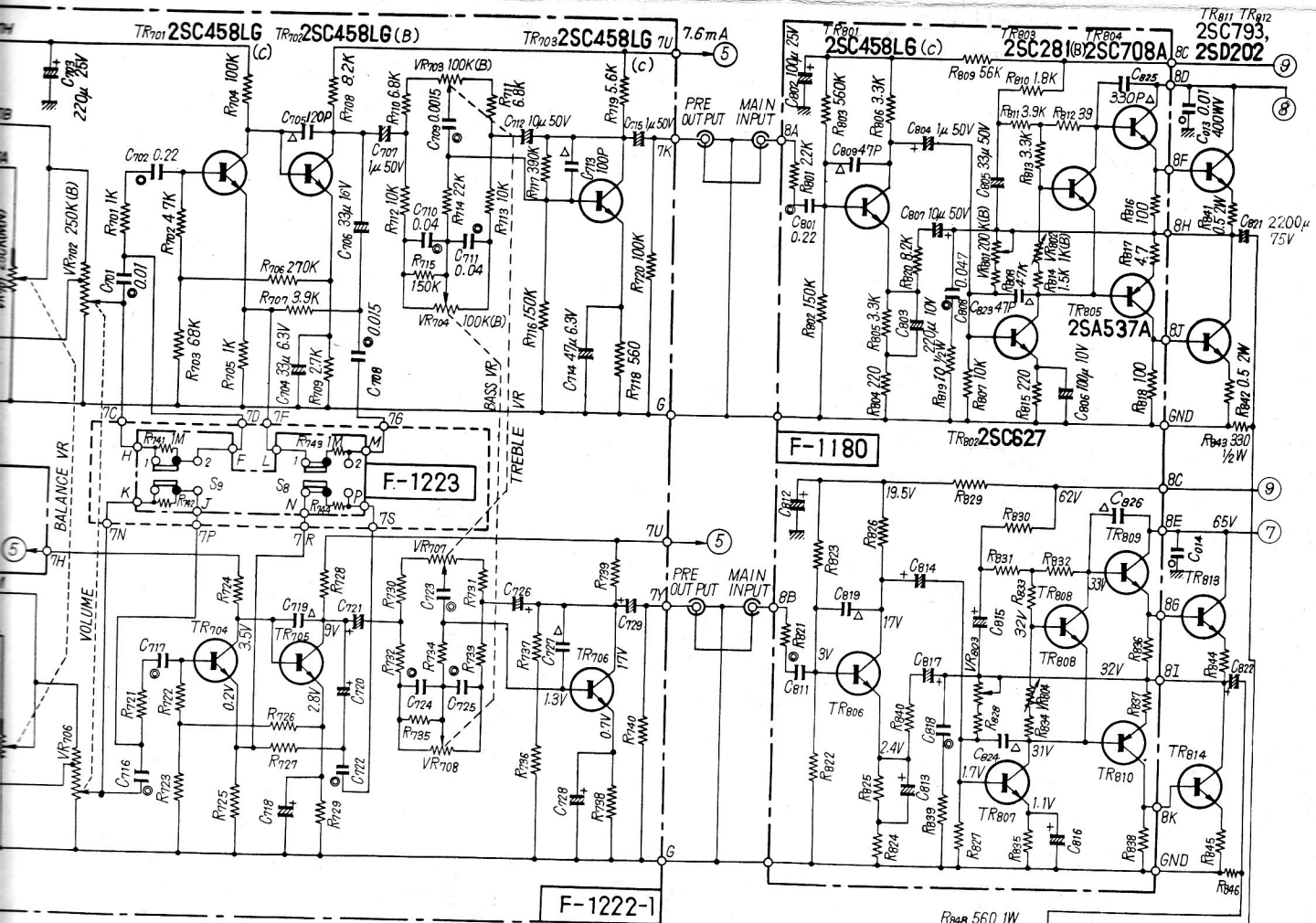
* WIRED-IN FUSE
 [] CSA APPROVED EQUIPMENT ONLY



CAPACITOR
 ○ OIL
 ⊙ MYLAR
 □ MICA
 ⊗ TANTALUM
 ⊠ STYROL
 △ CERAMIC

RESISTORS 1/4 WATT
 UNLESS OTHERWISE
 NOTED





* Manufacturer reserves right to change design and/or specifications without notice for purpose of improvement.