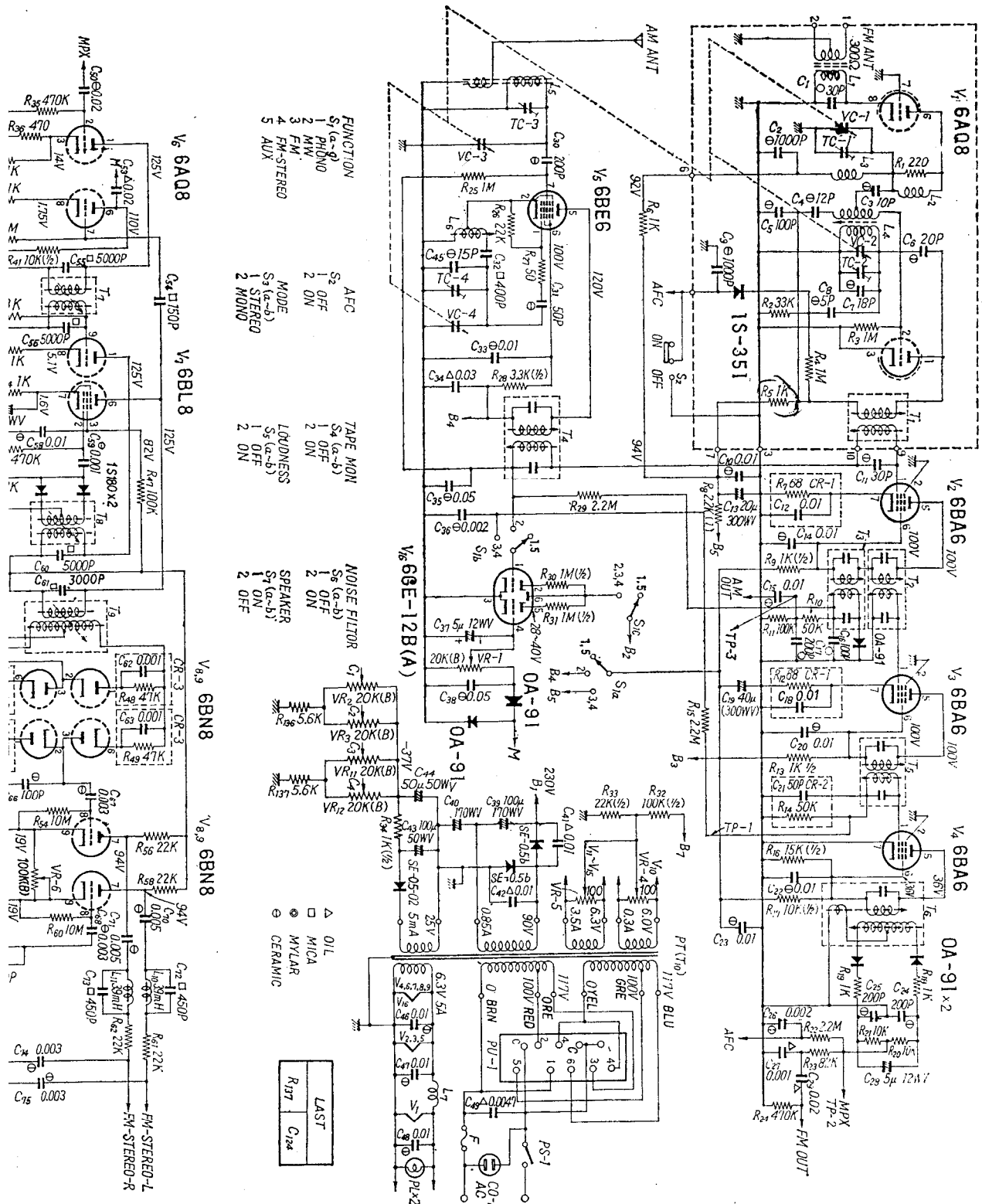


SCHEMATIC DIAGRAM



- FUNCTION
- S₁ (a-b) PHONO
 - S₂ MW
 - S₃ FM
 - S₄ FM-STEREO
 - S₅ AUX
- MODE
- S₆ (a-b) 1 STEREO
 - S₇ (a-b) 2 MONO

- TAPE MON
- S₈ (a-b) 1 OFF
 - S₉ (a-b) 2 ON

- NOISE FILTER
- S₁₀ (a-b) 1 OFF
 - S₁₁ (a-b) 2 ON

- SPEAKER
- S₁₂ (a-b) 1 ON
 - S₁₃ (a-b) 2 OFF

- OIL
- MICA
- NYLAR
- ◐ CERAMIC

LAST
C ₂₄

