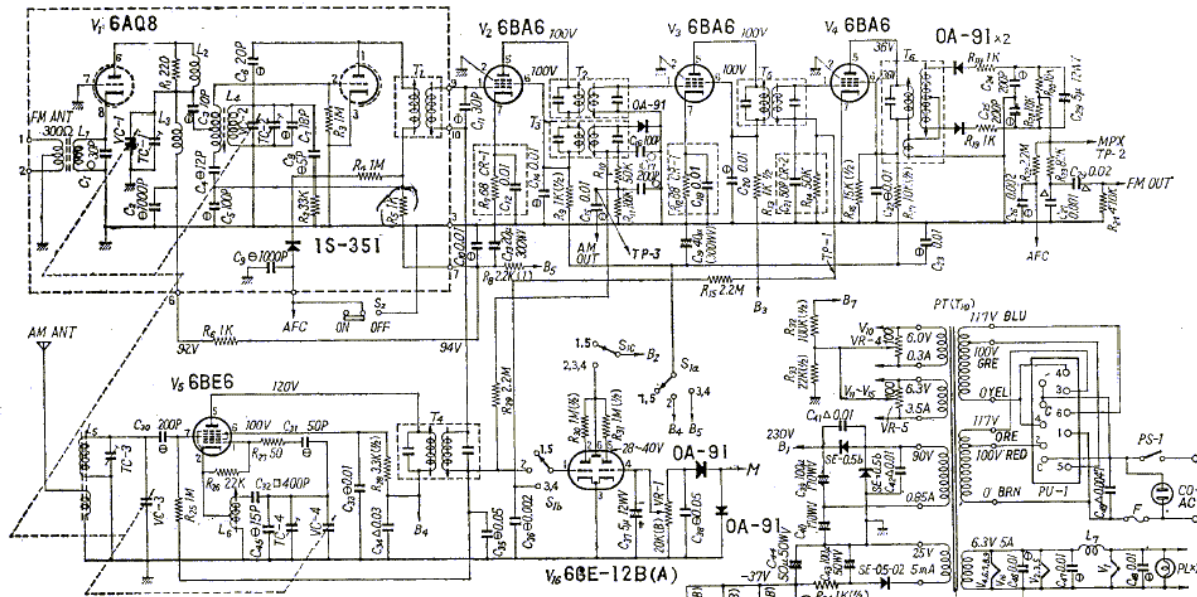


SCHEMATIC DIAGRAM



FUNCTION
 S1 (a-b) PHONO
 MW FM
 FM-STEREO
 S AUX

AFC
 1 OFF
 2 ON

TAPE MON
 S2 (a-b)
 1 STEREO
 2 MONO

LOUDNESS
 S3 (a-b)
 1 STEREO
 2 MONO

NOISE FILTER
 S4 (a-b)
 1 OFF
 2 ON

SPEAKER
 S5 (a-b)
 1 ON
 2 OFF

△ OIL
 □ MICA
 ● MYLAR
 ○ CERAMIC

| LAST | |
|------|------|
| R117 | C124 |

