

# Sansui SERVICE BULLETIN

October 6, 1971

Ref. CE-007-A

— 1 —

Subject: MODIFICATION OF OUTPUT CIRCUIT  
 Model: 3000, 3000A

Please consider the Bulletin CE-007 superseded with this revision and discard the Bulletin CE-009 as well.

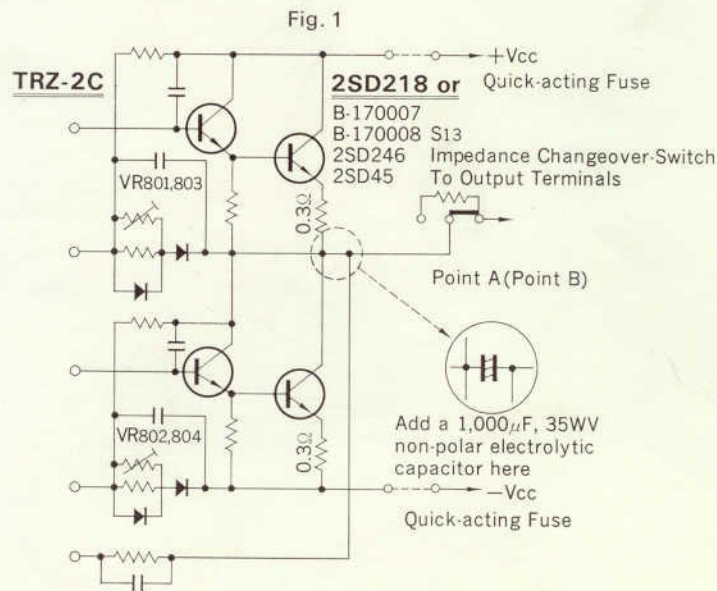
Modify the output circuit of the SANSUI 3000 and 3000A for preventing the power transistors and speakers from breakdown caused by variation of the voltage and temperature or excessive input signal. Please follow the instructions given below:

**1. Parts to be supplied upon your request.**

Kit Name	List of Parts	Stock No.
CE007A	Capacitor Ass'y 1 ea	
Mod. Kit	10 ohms, 1/2W 4 ea	0103100
	1 ohm, 3W 4 ea	0120400
	Q.A. Fuse, 2A 4 ea	0430080
	Diode, S-1.5-02 8 ea	0310960

\* Use the name CE007A Mod. Kit for parts order.

**2. Schematic diagram before modification.**



# Sansui SERVICE BULLETIN

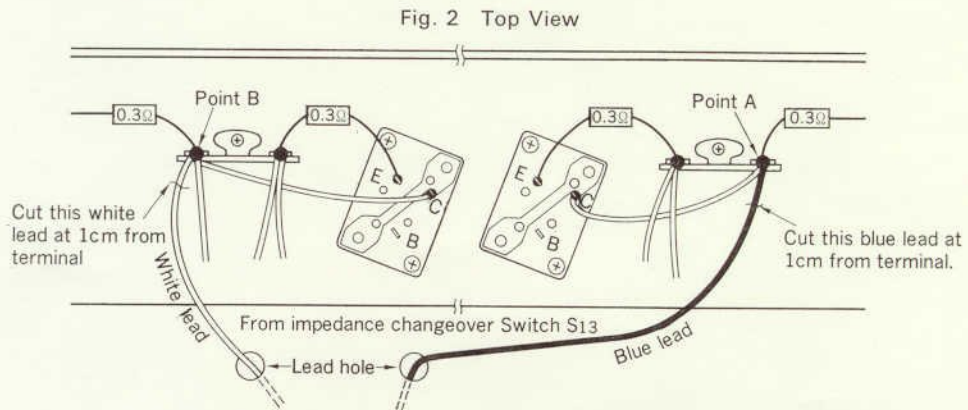
October 6, 1971

Ref. CE-007-A

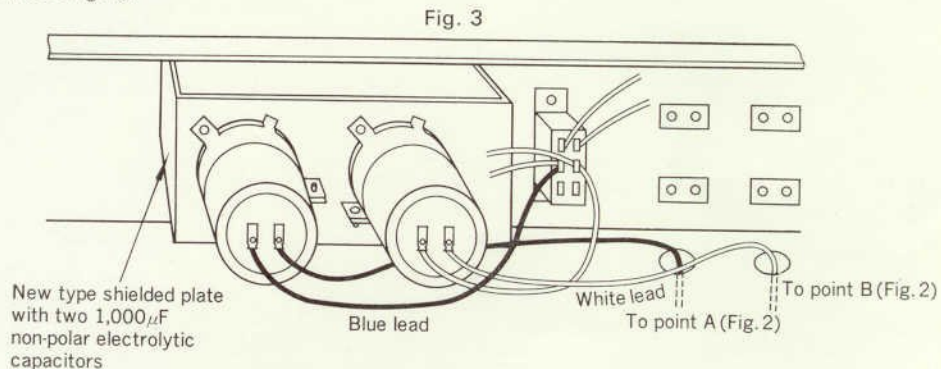
— 2 —

### 3. Attachment of capacitor ass'y.

- 1) Remove the bonnet and bottom plate.
- 2) Remove the input terminal shield plate.
- 3) Cut the blue and white leads extending from points A and B, located midway between the impedance changeover switch S13 and the power transistors, at about 1cm from the lug terminals (Fig. 2).



- 4) Draw out the cut blue and white leads to underneath the chassis.
- 5) Of the two leads, cut the blue one only at 4cm from its tip.
- 6) Mount the new shield plate with two non-polar electrolytic capacitors where the old shielded plate was (Fig. 3).



- 7) Pass the two leads connected to the electrolytic capacitor through the lead holes (Fig. 3).
- 8) Connect the blue wire to point A and white wire to point B mentioned in step 3) above (Fig. 2). Be sure that the color of the wire corresponds with that of 1cm long lead left in step 3).
- 9) Of the two leads drawn out in step 4), connect the blue one to the empty terminal of the capacitor with the blue lead, and the white one to the empty terminal of the capacitor with the white lead, as illustrated in Fig. 3.



# Sansui SERVICE BULLETIN

October 6, 1971

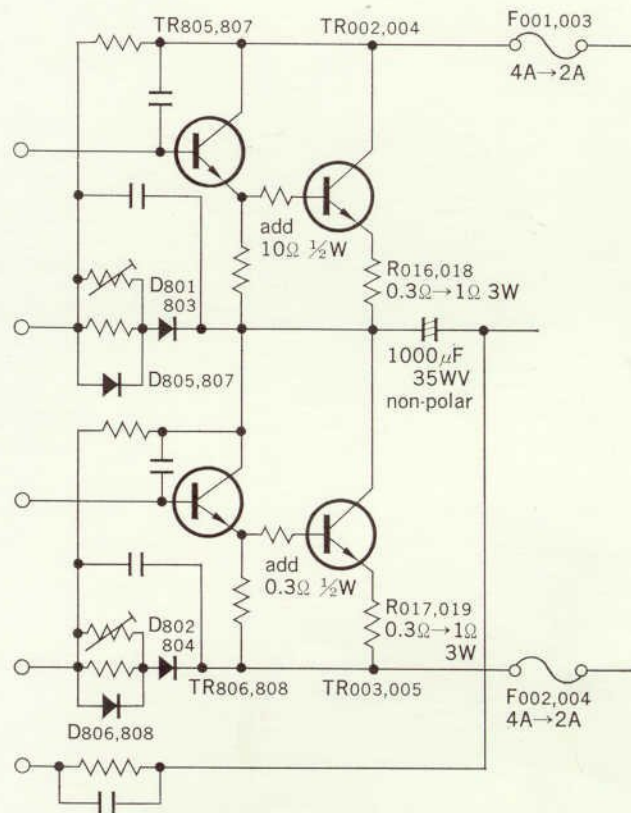
Ref. CE-007-A

— 3 —

#### 4. Other Parts.

- 1) Replace the resistors R016, R017, R018 and R019 of 0.3 ohm with 1 ohm (3W).
- 2) Add 10 ohms ( $\frac{1}{2}$ W) resistors as shown below.
- 3) Replace Q.A. fuse F001, F002, F003 and F004 of 4A with 2A.
- 4) In the unit using the diodes SM-150 on D801, D802, D803, D804, D805, D806, D807 and D808, replace all of them with the diodes S-1.5-02.

Fig. 4



# SERVICE BULLETIN

October 6, 1971  
Ref. CE-007-A

— 4 —

## 5. Adjustment.

If necessary, adjust the output circuit as follows:

- 1) Turn the main volume fully counterclockwise.
- 2) Connect one 1W, 10 ohms resistor each to the right and left speaker output terminals.
- 3) Remove the four quick-acting fuses from the quick-acting fuse holder assemble.
- 4) Turn on the power switch.
- 5) Connect an ammeter to both ends of fuse holder (1) as illustrated in Fig. 4, insert a quick-acting fuse in fuse holder (2), then adjust VR801 on power amplifier printed circuit sheet TRZ-2Z so that a current of 80mA is indicated. Be sure that the ammeter is set in the 250mA range.
- 6) Remove the fuse from fuse holder (2), and place it in fuse holder (1).
- 7) Connect an ammeter to fuse holder (2) as you did in step 5), then adjust VR802 so that a current of 80mA is indicated.
- 8) Connect an ammeter to fuse holder (3) in the same manner, place a quick-acting fuse in fuse holder (4) and adjust VR803 to obtain the same current indication.
- 9) Remove the fuse from fuse holder (4), and place it in fuse holder (3). Connect an ammeter to fuse holder (4), than adjust VR804 to obtain the same result.
- 10) Place all quick-acting fuses back in fuse holders (1) through (4).

Fig. 5 Quick-acting Fuse Holder Ass'y

