

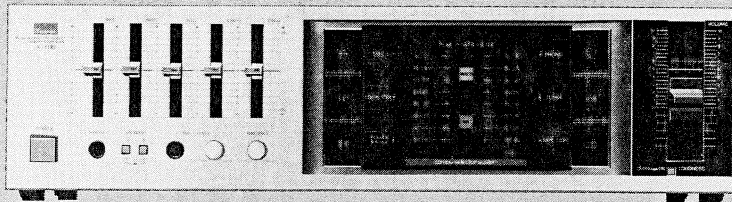
SERVICE MANUAL

INTEGRATED DC SERVO
STEREO AMPLIFIER

SANSUI A-1110

(Silver & Black Model)

CLASSIQUE A-1001



NOTE

A-1110 and A-1001 are additional models which external appearances are different from those of A-1010 and A-1000.

This manual contains OTHER PARTS LIST, PACKING LIST, ACCESSORY LIST and PARTS LIST FOR F-4412 GRAPHIC EQUALIZER CIRCUIT BOARD in which changed parts are printed with bold-face.

For other parts list, refer to A-1010/A-1000 service manual previously issued.

•SPECIFICATIONS

•A-1110

Power output

Min. RMS, both channels driven, from 20 to 20,000 Hz, with no more than 0.05% total harmonic distortion
100 watts per channel into 8 ohms

Load impedance..... 8 ohms

Total harmonic distortion

..... less than 0.05% at or below rated min. RMS power output

Frequency response (at 1 watt)

..... 5 to 60,000 Hz
+1 dB, -2 dB

RIAA curve deviation (PHONO, 20 Hz to 20 kHz)

..... +0.5 dB, -0.5 dB

Input sensitivity and impedance

(1 kHz, for rated power output)

PHONO..... 2.5 mV/47 kilohms

(Max. input capability; 120mV at 1 kHz, less than 0.1% total harmonic distortion)

TUNER, TAPE PLAY.... 150 mV/47 kilohms

MIC..... 0.5 mV/10 kilohms

Output level (1 kHz)

TAPE REC..... 130 mV into 47 kilohms

Signal to noise ratio (short-circuit, A-network)

PHONO..... 75 dB

TUNER, TAPE PLAY.... 100 dB

Power requirements

Power voltage..... 120/220/240V (50/60 Hz)

For U.S.A. & Canada

..... 120V (60 Hz)

Power consumption.... 360 watts 450 VA Rated

Dimensions..... 430 mm (16-15/16") W

118 mm (4-11/16") H

245 mm (9-11/16") D

Weight..... 7.2 kg (15.9 lbs.) net

8.0 kg (17.6 lbs.) packed

•A-1001 Classique

Power voltage..... 120V (60 Hz)

Power consumption..... 360 watts

Dimensions..... 430 mm (16-15/16") W

118 mm (4-11/16") H

245 mm (9-11/16") D

Weight..... 7.2 kg (15.9 lbs.) net

8.0 kg (17.6 lbs.) packed

* Design and specifications subject to changes without notice for improvements.

Sansui

SANSUI ELECTRIC CO., LTD.

+565

1. PARTS LIST FOR F-4412 GRAPHIC EQUALIZER CIRCUIT BOARD

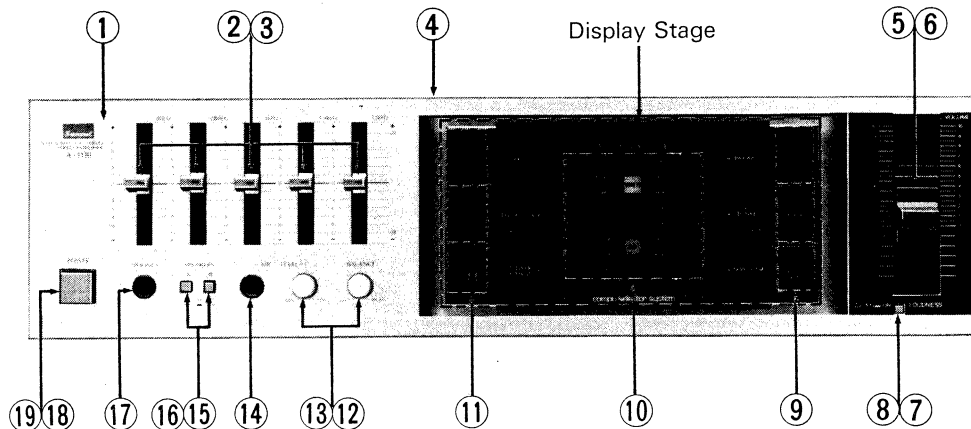
Parts List

| Parts No. | Stock No. | Description |
|-----------|-----------|-------------|
| •IC | | |
| jIC1 | 46078900 | M5218L |
| jIC2 | 46078900 | M5218L |
| jIC3 | 46078900 | M5218L |
| jIC4 | 46078900 | M5218L |
| jIC5 | 46078900 | M5218L |
| jIC6 | 46078900 | M5218L |
| jIC7 | 46078900 | M5218L |

| Parts No. | Stock No. | Description |
|-----------|-----------|--------------------------|
| △jR21 | 08923500 | 330Ω 1/2W N.I.R. |
| jVR3 | 46862800 | 250kΩ Slide V.R., 80Hz |
| jVR4 | 46862800 | 250kΩ Slide V.R., 280Hz |
| jVR5 | 46862800 | 250kΩ Slide V.R., 1kHz |
| jVR6 | 46862800 | 250kΩ Slide V.R., 3.5kHz |
| jVR7 | 46862800 | 250kΩ Slide V.R., 12kHz |

2. OTHER PARTS

2-1. Front View

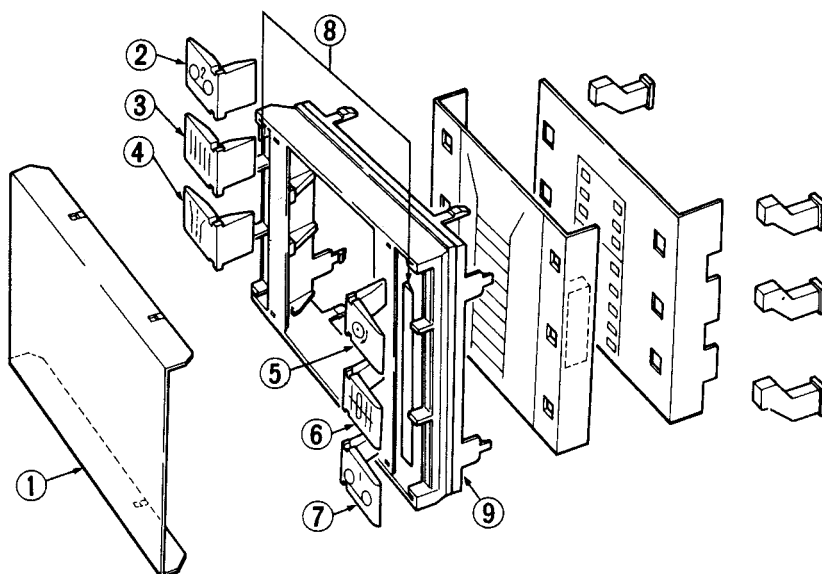


Parts List

| Parts No. | Stock No. | Description |
|-----------|-----------|---|
| 1 | 47370710 | Front Panel (A-1110 Silver Model) |
| | 47370810 | Front Panel (A-1110 Black Model) |
| | 47370910 | Front Panel (A-1001) |
| 2 | 47367410 | Knob, graphic EQ. 80Hz, 280Hz, 1kHz, 3.5kHz, 12kHz (A-1110 Silver Model) |
| | 47367510 | Knob, graphic EQ. 80Hz, 280Hz, 1kHz, 3.5kHz, 12kHz (A-1110 Black Model, A-1001) |
| 3 | 46862800 | Slide V.R., graphic EQ. 80Hz, 280Hz, 1kHz, 3.5kHz, 12kHz |
| 4 | 07952400 | Bonnet |
| 5 | 47484000 | Knob, VOLUME |
| 6 | 46395300 | 150kΩ × 2 V.R., VOLUME |
| 7 | 47234600 | Knob, LOUDNESS (A-1110 Silver Model) |
| | 07917300 | Knob, LOUDNESS (A-1110 Black Model, A-1001) |
| 8 | 46360900 | Push SW., LOUDNESS |
| 9 | 46395900 | Push SW., PHONO, TUNER, TAPE-1 |

| Parts No. | Stock No. | Description |
|-----------|-----------|--|
| 10 | 46862300 | PEAK POWER METER Ass'y |
| 11 | 46365400 | Push SW., TAPE-2, EQUALIZER, POWER RANGE |
| 12 | 07932500 | Knob, BALANCE, MIC LEVEL (A-1110 Silver Model) |
| | 47085900 | Knob, BALANCE, MIC LEVEL (A-1110 Black Model, A-100 1) |
| 13 | 46862900 | 20kΩ × 2 and 250kΩ V.R., BALANCE, MIC LEVEL |
| 14 | 46365100 | Jack, MIC |
| 15 | 47234600 | Knob, SPEAKERS (A-1110 Silver Model) |
| | 07917300 | Knob, SPEAKERS (A-1110 Black Model, A-100 1) |
| 16 | 46863000 | Push SW., SPEAKERS |
| 17 | 46862700 | Jack, PHONES |
| 18 | 47393300 | Knob, POWER |
| △19 | 46546900 | Push SW., POWER |

2-2. Display Stage



Parts List

| Parts No. | Stock No. | Description |
|-----------|-----------|-------------------|
| 1 | 47369500 | Display Cover |
| 2 | 47433500 | Knob, TAPE-2 |
| 3 | 47434700 | Knob, EQUALIZER |
| 4 | 47434800 | Knob, POWER RANGE |
| 5 | 47433800 | Knob, PHONO |

| Parts No. | Stock No. | Description |
|-----------|-----------|----------------|
| 6 | 47433900 | Knob, TUNER |
| 7 | 47434000 | Knob, TAPE-1 |
| 8 | 47071410 | Cushion |
| 9 | 07947900 | Display Holder |

3. PACKING LIST

| Parts No. | Stock No. | Description |
|-----------|-----------|-----------------------------------|
| 1 | 91263810 | Vinyl Bag |
| 2 | 07949000 | Styrofoam Packing |
| 3 | 47367800 | Carton Case (A-1110 Silver Model) |
| | 47367900 | Carton Case (A-1110 Black Model) |
| | 47368000 | Carton Case (A-1001) |

4. ACCESSORY LIST

| Stock No. | Description |
|-----------|---------------------------------|
| 46895400 | Operating Instruction (A-1 110) |
| 46895500 | Operating Instruction (A-1 001) |

A-1110/A-1001

Sansui

SANSUI ELECTRIC CO., LTD.:

SANSUI ELECTRONICS CORPORATION:

SANSUI ELECTRONICS (U.K.) LTD.:
SANSUI ELECTRONICS G.M.B.H.:

14-1, Izumi 2-chome, Suginami-ku, Tokyo 168 Japan
PHONE: (03) 324-8891/TELEX: 232-2076 (International Division)
1250 Valley Brook Ave. Lyndhurst, N.J. 07071 U.S.A.
17150 South Margay Ave. Carson, California 90746 U.S.A.
3036 Koapaka Street, Honolulu, Hawaii 96819 U.S.A.

Unit 10A, Lyon Industrial Estate, Rockware Avenue, Geenford, Middx UB6, OAA, England
Pau Ehrich Strasse 8, 6074 Rödermark 2, West Germany

(SM1-147)

Printed in Japan (146120M) <Stock No. 3642 900>

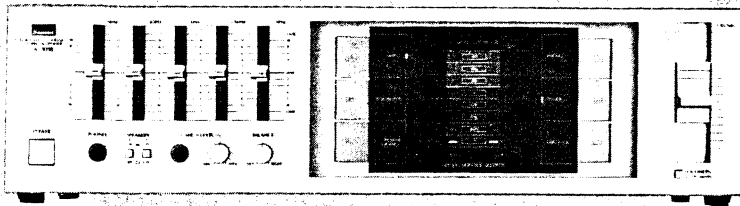
SERVICE MANUAL

INTEGRATED DC SERVO
STEREO AMPLIFIER

SANSUI A-1010

(Silver & Black Model)

CLASSIQUE A-1000



CAUTION

1. Parts identified by the \triangle symbol on the schematic diagram and the parts list are critical for safety. Use only replacement parts that have critical characteristics recommended by the manufacturer.
2. Make leakage-current or resistance measurements to determine that exposed parts are acceptably insulated from the supply circuit before returning the appliance to the customer.

•SPECIFICATIONS

Power output

Min. RMS, both channels driven, from 20 to 20,000 Hz,
with no more than 0.05% total harmonic distortion
100 watts per channel into 8 ohms

Load impedance..... 8 ohms

Total harmonic distortion

..... less than 0.05% at or below
rated min. RMS power output

Frequency response (at 1 watt)

..... 5 to 60,000 Hz
+1 dB, -2 dB

RIAA curve deviation (PHONO, 20 Hz to 20 kHz)

..... +0.5 dB, -0.5 dB

Input sensitivity and impedance (1 kHz, for rated power output)

PHONO..... 2.5 mV/47 kilohms

(Max. input capability; 120mV at 1 kHz, less than
0.1% total harmonic distortion)

TUNER, TAPE PLAY.... 150 mV/47 kilohms

MIC..... 0.5 mV/10 kilohms

Output level (1 kHz)

TAPE REC..... 130 mV into 47 kilohms

Signal to noise ratio (short-circuit, A-network)

PHONO..... 75 dB

TUNER, TAPE PLAY.... 100 dB

Power requirements

(A-1010)

Power voltage..... 120/220/240V (50/60 Hz)

For U.S.A. & Canada

..... 120V (60 Hz)

(A-1000)

Power voltage..... 120V (60 Hz)

Power consumption.... 360 watts 450 VA Rated

Dimensions..... 430 mm (16-15/16") W

118 mm (4-11/16") H

245 mm (9-11/16") D

Weight..... 7.2 kg (15.9 lbs.) net

8.0 kg (17.6 lbs.) packed

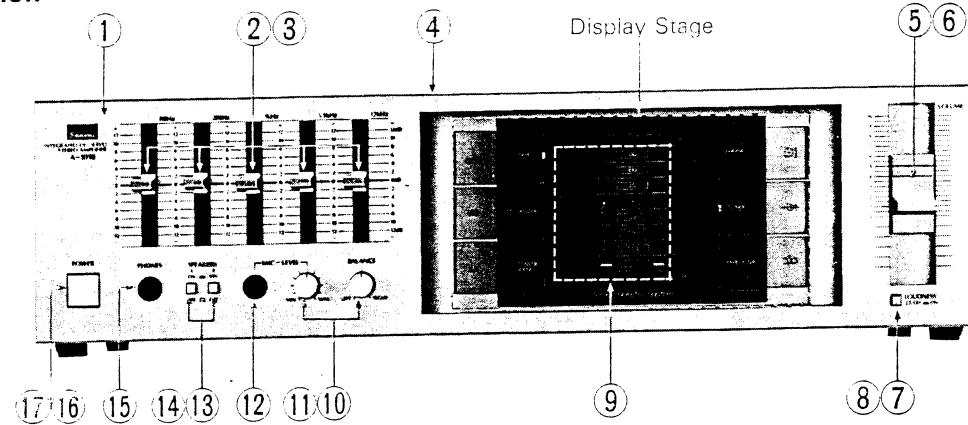
* Design and specifications subject to changes without notice for improvements.

Sansui

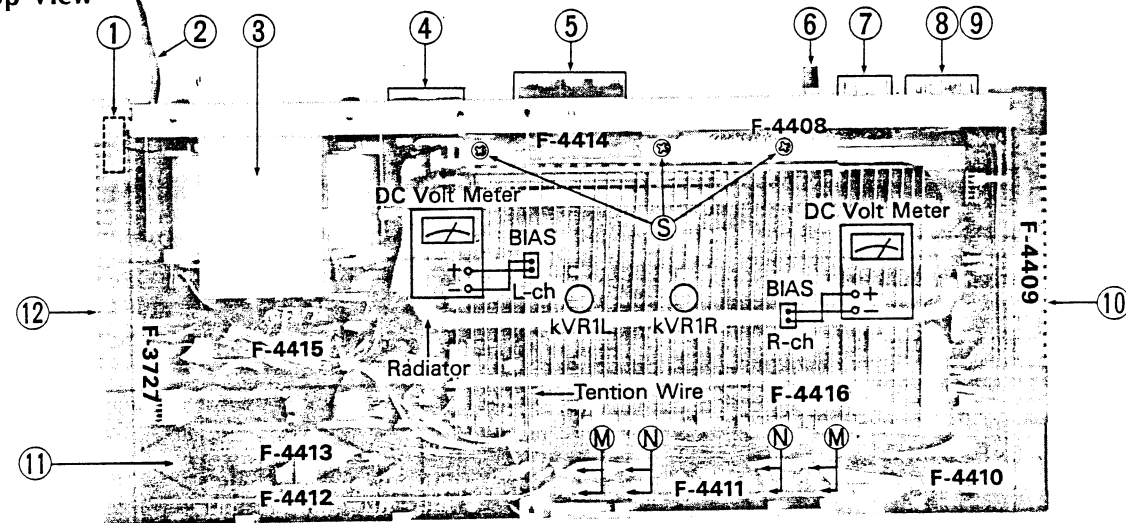
SANSUI ELECTRIC CO., LTD.

3. OTHER PARTS

3-1. Front View



3-2. Top View



Parts List <Front View>

| Parts No. | Stock No. | Description |
|-----------|-----------|---|
| 1 | 47373500 | Front Panel (A-1010 Silver Model) |
| | 47373600 | Front Panel (A-1010 Black Model) |
| | 47373700 | Front Panel (A-1000) |
| 2 | 47367400 | Knob, graphic EQ. 80Hz, 280Hz, 1kHz, 3.5kHz, 12kHz (A-1010 Silver Model) |
| | 47367500 | Knob, graphic EQ. 80Hz, 280Hz, 1kHz, 3.5kHz, 12kHz (A-1010 Black Model, A-1000) |
| 3 | 46862800 | Slide V.R., graphic EQ. 80Hz, 280Hz, 1kHz, 3.5kHz, 12kHz |
| 4 | 07952400 | Bonnet |
| 5 | 47213000 | Knob, VOLUME (A-1010 Silver Model) |
| | 47194200 | Knob, VOLUME (A-1010 Black Model, A-1000) |
| 6 | 46395300 | 150kΩ × 2 V.R., VOLUME |
| 7 | 07917200 | Knob, LOUDNESS (A-1010 Silver Model) |
| | 07917300 | Knob, LOUDNESS (A-1010 Black Model, A-1000) |
| 8 | 46360900 | Push SW., LOUDNESS |
| 9 | 46862300 | PEAK POWER METER Ass'y |

| Parts No. | Stock No. | Description |
|-----------|-----------|---|
| 10 | 07932500 | Knob, BALANCE, MIC LEVEL (A-1010 Silver Model) |
| | 47085900 | Knob, BALANCE, MIC LEVEL (A-1010 Black Model, A-1000) |
| 11 | 46862900 | 20kΩ × 2 and 250kΩ V.R., BALANCE, MIC LEVEL |
| 12 | 46365100 | Jack, MIC |
| 13 | 47005600 | Knob, SPEAKERS (A-1010 Silver Model) |
| | 07917300 | Knob, SPEAKERS (A-1010 Black Model, A-1000) |
| 14 | 46863000 | Push SW., SPEAKERS |
| 15 | 46862700 | Jack, PHONES |
| 16 | 07971210 | Knob, POWER (A-1010 Silver Model) |
| | 07911210 | Knob, POWER (A-1010 Black Model, A-1000) |
| △ 17 | 46546900 | Push SW., POWER |

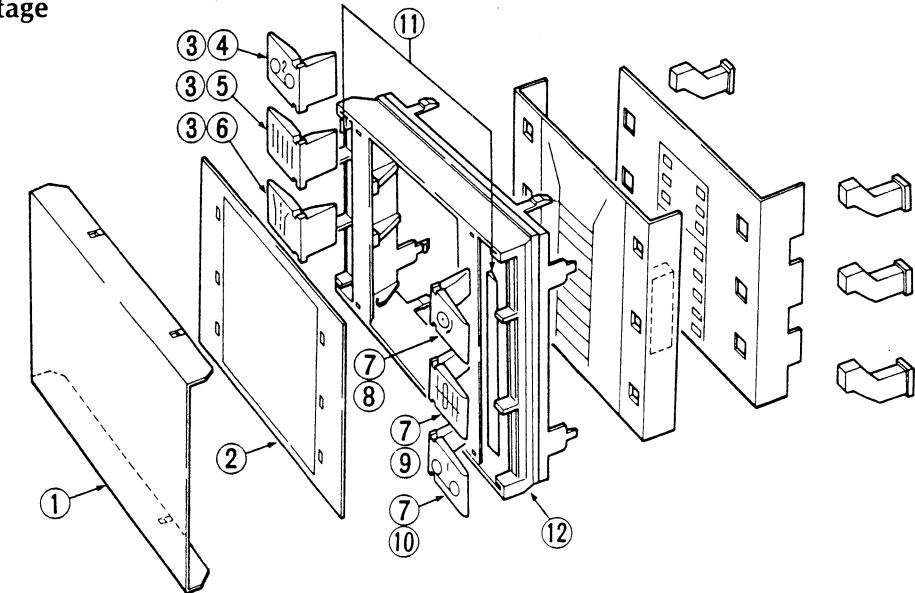
Parts List <Top View>

| Parts No. | Stock No. | Description |
|-----------|-----------|---|
| 1 | 07917700 | AC Cord Cover |
| △ 2 | 38005700 | Power Supply Cord (A-1010 XX, UL, A-1000) |
| | 46407700 | Power Supply Cord (A-1010 CSA) |
| △ 3 | 15014501 | Power Transformer (A-1010 XX) |
| | 15014502 | Power Transformer (A-1010 UL, A-1000) |
| △ 4 | 15014503 | Power Transformer (A-1010 CSA) |
| | 46863600 | AC OUTLET |
| 5 | 46364100 | 8P Push Terminal, SPEAKERS |

Parts No. Stock No. Description

| | | |
|----|----------|-------------------------------------|
| 6 | 22301510 | GND Terminal |
| 7 | 46862600 | 2P INPUT Terminal, PHONO |
| 8 | 46371500 | 4P Terminal, TUNER, TAPE-1 REC |
| 9 | 46363900 | 6P Terminal, TAPE-1 PLAY/DA, TAPE-2 |
| 10 | 47448900 | Side Panel Ass'y R |
| 11 | 07947200 | Joint Shaft |
| 12 | 47448800 | Side Panel Ass'y L |

3-3. Display Stage



Parts List <Display Stage>

| Parts No. | Stock No. | Description |
|-----------|-----------|--|
| 1 | 47369600 | Display Cover |
| 2 | 47009510 | Display Panel (A-1010 Silver Model) |
| | 07954410 | Display Panel (A-1010 Black Model, A-1000) |
| 3 | 46365400 | Push SW., TAPE-2, EQUALIZER, POWER RANGE |
| 4 | 07925810 | Knob, TAPE-2 |
| 5 | 47369900 | Knob, EQUALIZER |
| 6 | 47370000 | Knob, POWER RANGE |

Parts No. Stock No. Description

| | | |
|----|----------|---|
| 7 | 46395900 | Push SW., PHONO, TUNER, TAPE- |
| 8 | 07925510 | Knob, PHONO |
| 9 | 07925610 | Knob, TUNER |
| 10 | 07925710 | Knob, TAPE-1 |
| 11 | 47071410 | Cushion |
| 12 | 47011500 | Display Holder (A-1010 Silver Model) |
| | 07947900 | Display Holder (A-1010 Black Model, A-1000) |

4. BIAS CURRENT ADJUSTMENT (See Top View left)

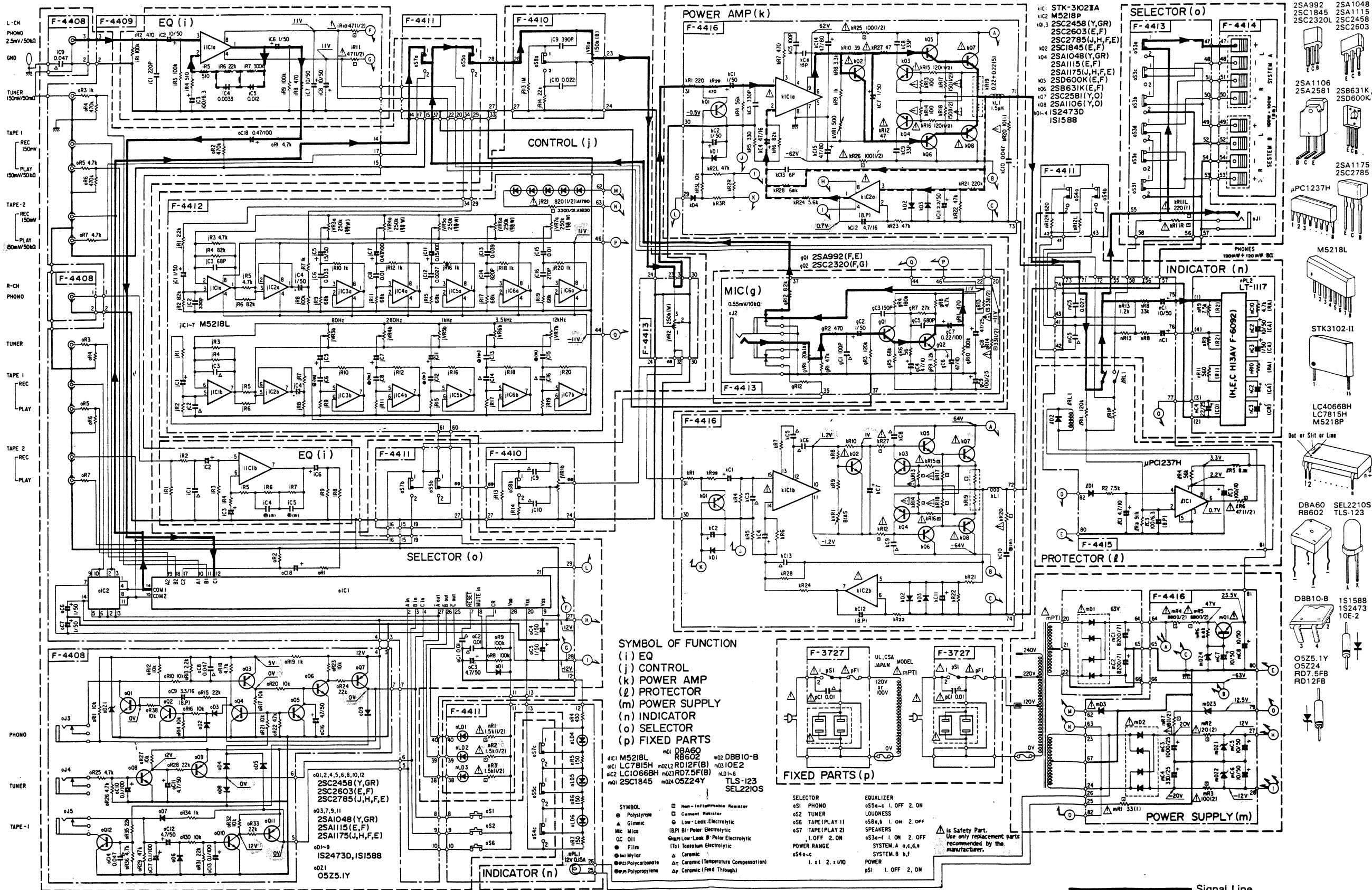
- Note: 1. Room Temperature 18°C ~ 28°C
 2. For this adjustment, removal of radiator is required, so loosen three screws ⑤.

3. Before turning ON POWER switch, set kVR1 on F-4416 little before center.
 4. For adjustment, run the unit for more than 5 minutes after the power is switched on.

| STEP | SUBJECT | MEASURE OUTPUT | ADJUST | ADJUST FOR | REMARKS |
|------|---------|--|----------------------|--------------|---|
| 1. | L-CH | Connect DC volt meter between BIAS Terminals (L-ch), on F-4416 | kVR1 (L-CH) (F-4416) | DC 5mV ± 1mV | This bias current adjustment converts current value into voltage by ohms law. Absolutely , install the radiator after this adjustment. |
| 2. | R-CH | Connect DC volt meter between BIAS Terminals (R-ch), on F-4416 | kVR1 (R-CH) (F-4416) | DC 5mV ± 1mV | |

7. SCHEMATIC DIAGRAM

*Design and specifications subject to change without notice for improvement.
 *La présentation et les spécifications sont susceptibles d'être modifiées sans préavis par suites d'améliorations éventuelles.
 *Änderungen, die dem technischen Fortschritt dienen, bleiben vorbehalten.



- SYMBOL OF FUNCTION**
- (i) EQ
 - (j) CONTROL
 - (k) POWER AMP
 - (l) PROTECTOR
 - (m) POWER SUPPLY
 - (n) INDICATOR
 - (o) SELECTOR
 - (p) FIXED PARTS
- FIXED PARTS (p)**
- UL, CSA JAPAN MODEL
 - UL, CSA JAPAN MODEL
- SELECTOR**
- o51 PHONO
 - o52 TUNER
 - o56 TAPE(PLAY 1)
 - o57 TAPE(PLAY 2)
 - 1. OFF 2. ON
- POWER RANGE**
- o54a-c
 - 1. 1 2. 1/2
- EQUALIZER**
- o55a-c 1. OFF 2. ON
 - LOUDNESS
 - o58a,b 1. ON 2. OFF
 - SPEAKERS
 - o53a-1 1. ON 2. OFF
 - SYSTEM A o,c,d,e
 - SYSTEM B b,f
- POWER**
- o51 1. OFF 2. ON
- is Safety Part.**
Use only replacement parts recommended by the manufacturer.

- 2SA992
- 2SA1048
- 2SC1845
- 2SA1115
- 2SC2458
- 2SC2603
- 2SA1106
- 2SA2581
- 2SB631K
- 2SD600K
- 2SA1175
- 2SC2785
- PC1237H
- M5218L
- STK3102-II
- LC4066BH
- LC7815H
- M5218P
- Dot or Slot or Line
- DBA60
- SEL2210S
- RB602
- TL5-123
- DBB10-B
- 1S1588
- 1S2473
- 10E-2
- O525.1Y
- O5224
- RD7.5FB
- RD12FB

— Signal Line
 - - - NFB Line

1
2
3
4
5